

FL55-875BL1

NEOMOUNTS BY NEWSTAR MOTORISED

SPECIFICATIONS

GENERAL

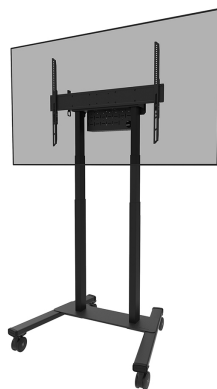
Min. screen size*	37 inch
Max. screen size*	100 inch
Max. weight	110 kg (per screen)
Screens	1
VESA pattern	100x100 mm 100x150 mm 100x200 mm 120x120 mm 200x100 mm 200x200 mm 200x300 mm 200x400 mm 300x100 mm 300x200 mm 300x300 mm 350x350 mm 400x200 mm 400x300 mm 400x400 mm 400x500 mm 400x600 mm 440x400 mm 500x400 mm 600x200 mm 600x300 mm 600x400 mm 600x500 mm 600x600 mm 680x300 mm 800x200 mm 800x400 mm 800x500 mm 800x600 mm
VESA minimum	100x100 mm
VESA maximum	800x600 mm

FUNCTIONALITY

Type	Fixed
Height adjustment	115,2-180,2 cm
Height	212,7 cm
Width	101,9 cm
Depth	83,1 cm
Adjustment type	Motorised
Lockable	Lockable - Lock included

INFORMATION

Color	Black
Main material	Steel
Warranty	5 year
EAN code	8717371449711



Neomounts



Neomounts

Neomounts by Newstar FL55-875BL1 motorised floor stand for 37-100" screens - Black

The Neomounts by Newstar FL55-875BL1 is a mobile floor stand for displays up to 100" with a maximum weight capacity of 110 kg. The trolley has 65 cm motorized height adjustment (35 mm/second), is operated with a wired remote control and features an anti-collision system for extra safety. A lockable, ventilated hardware compartment with cable opening is included and optional for installation.

The trolley features practical handles and four solid 10 cm double locking caster wheels that allow you to move and use the floor stand wherever you like. Due to the large caster wheels, thresholds or carpets are no challenge to the FL55-875BL1. The open design wheelbase allows easy access to the (touch) display and enables easier movement around objects. The included cable duct, optional to install, conceal and route cables from floor stand to screen. A practical cable management bracket at the back of the trolley ensure easy and safe relocation.

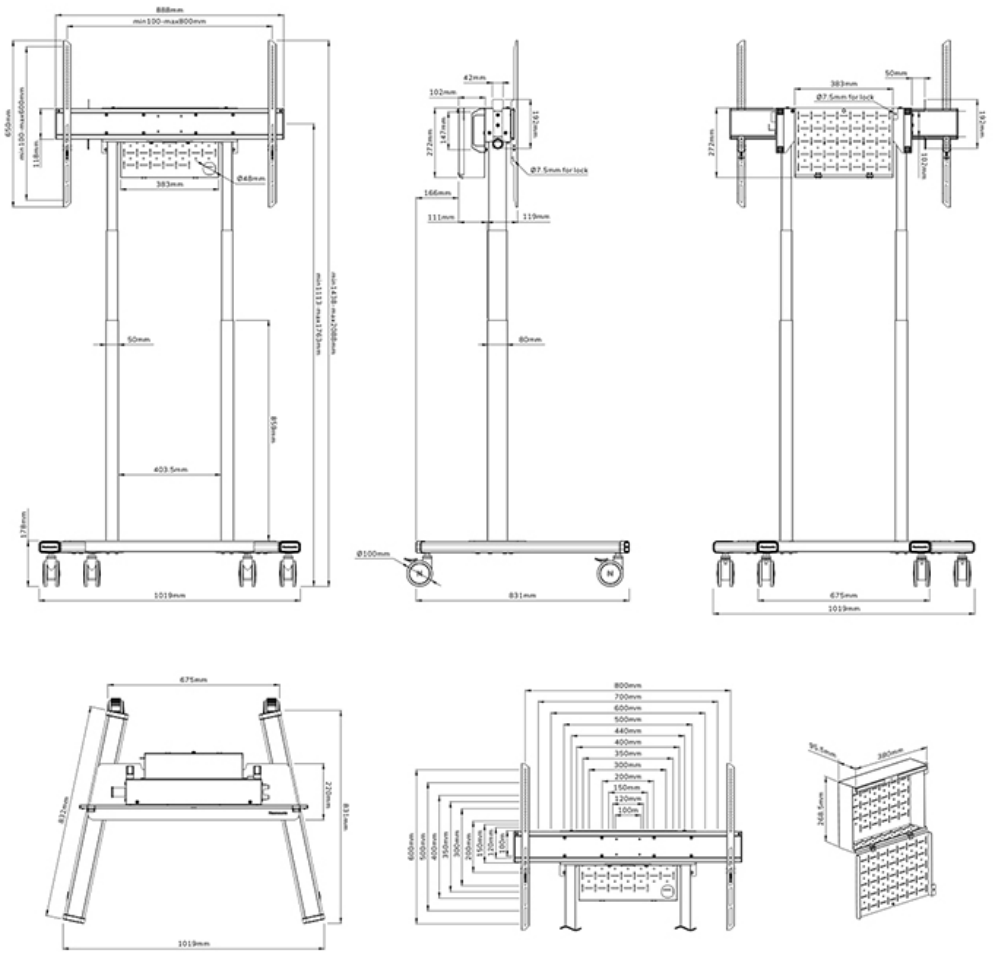
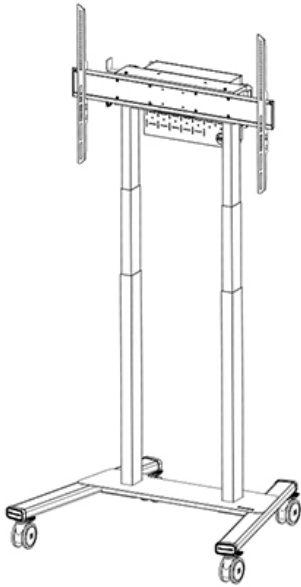
The floor stand is packed partially pre-assembled, to ensure fast and easy installation. The display can be secured by locking the brackets using a padlock (not included). Additionally, the FL55-875BL1 is compactly packed for optimized transportation and storage.

The AFL-875BL1 videobar & multimedia kit is optionally available and enables the installation of a separate cam shelf and multimedia device shelf to the trolley. Included to the kit is an adapter for the Logitech Rally Bar (Mini). In addition, the multimedia shelf is suitable for installation of i.a. the Logitech Tap.

*Please note: The inch sizes stated are just an indication, combined with the weight and VESA sizes. The maximum weight and VESA size are absolute restrictions for the products and should not be exceeded.

FL55-875BL1

NEOMOUNTS BY NEWSTAR MOTORISED



Neomounts