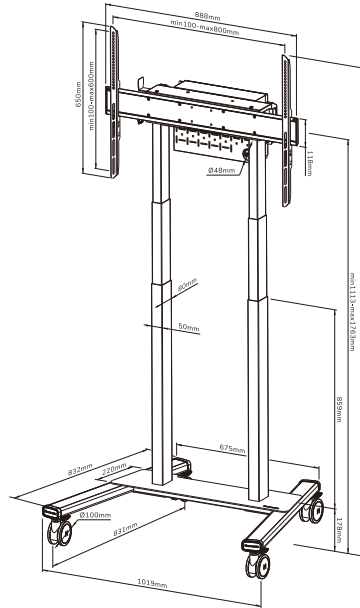


# Neomounts®

## BY NEWSTAR



### FL55-875WH1

EN Floor stand	NO Gulv stativ
NL Vloersteun	SE Golvstativ
DE Bodenständer	FI Lattiateline stojak
FR Support au sol	PL Podłogowy
IT Supporto da pavimento	CS Podlahový stojan
ES Soporte de suelo	SK Podlahový stojan
PT Suporte de chão	RO Stativ pentru podea
DK Gulvstander	

# IMPORTANT HAZARD & SAFETY NOTES



Please read the safety and installation instructions in this product manual carefully, before starting the installation. Failure to read, thoroughly understand and follow all instructions may result in serious personal injury, damage to the equipment or voiding of factory warranty.



## General safety instruction

Use the appropriate tools and equipment when installing the motorised product. Not using appropriate equipment may result in severe risk of injury.



## Electrical safety

Connect unit to a free accessible 220 – 240V, 50/60 Hz grounded power outlet only. Make sure the unit can be immediately separated from the power outlet.

Only use unit in dry rooms, protect unit from water and other liquids. Only wipe unit with dry cloth.

Do not open lift unit. RISK OF ELECTRIC SHOCK. There are no serviceable parts inside.

In case of disfunction unplug unit from power outlet and call an authorised technical service person.

Do not overrun or damage cables in any other way.

Replace damaged cables immediately with new one from same type.



## Mechanical safety

Do not improperly load unit. Do not mount other than original parts in conjunction with original mounting parts.

Do not hang on unit.

VERY HEAVY UNIT.

Severe risk of injury when unit falls over due to improper usage. Only use original mounting parts provided with the system. Do not exceed the maximum load of 110 kg. Assure installation of unit by authorized service person only.

Before moving the unit up or down assure at least a safety distance of 20 cm/8 inch from any part of the unit to any other fitment in order to avoid shear traps or squeezing points.

In case of any incident, please release operating panel. Movement of unit will stop immediately.



The socket connections of the unit and the wall socket must be easily accessible. Disconnect the power cable from the wall socket before moving the product.



## Moveable and free standing units

Only operate unit on flat and stable floor surfaces. Move unit on flat floors only.

Risk of tilting when overrunning unevenness in floors, door sills and similar.

VERY HEAVY UNIT.

Severe risk of injury should the unit fall over. Lock brakes of all wheels when operating unit. Always relocate the floor stand with screen in the lowest position.



The device is not drip or splash water proof. Do not place liquids on or nearby or spray the device. Always unplug the unit from the wall socket before cleaning to reduce the risk of electric shock.



## Anti-collision protection

The protection system is designed to detect contact between the lift system and an object. This system is intended for protection of the motorised screen lift. The system is explicitly not intended as a safety mechanism to prevent personal injury.



## Wall mounting

Use appropriate mounting materials only. Choose douwels and screws according to the wall type and material.

Using improper mounting material may result in tilting of the unit and severe risk of injury.

Wall mounting must be done by experienced personnel only.



## Instructions for disposal

Do not discard with general waste.





Tool



100x100 -  
800x600 mm



0-110 kg |  
0-242.5 lbs

**FL55-875WH1**

## PARTS



A. M5x12  
(x4)



B. M5x30  
(x4)



C. M6x16  
(x4)



D. M6x35  
(x4)



E. M8x20  
(x4)



F. M8x35  
(x4)



G. M8x50  
(x4)



H. 5mm  
(x4)



I. 10mm  
(x4)



J. 14mm  
(x4)



K. M6  
(x4)



L. 2.5mm  
(x1)



N. 4mm  
(x1)



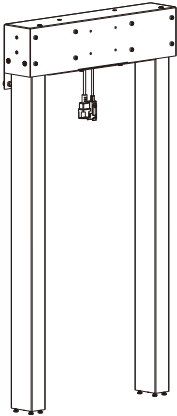
O. 5mm  
(x1)



P. 17mm  
(x1)



Q. 21mm  
(x1)



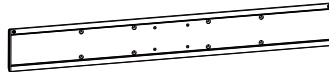
R. (x1)  
Incl. M8x16 (x4)  
Incl. M6x16 (x8)  
Incl. M6x12 (x5)  
Incl. M6x10 (x8)  
Incl. M4x6 (x2)



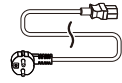
S. (x1)  
Incl. M8x20 (x8)



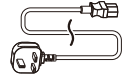
T. (x2)



W. (x1)



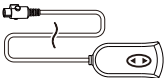
U. EU-plug 3m  
(x1)



V. UK-plug 3m  
(x1)



X. (x4)  
Incl. wheel nut M12 (x4)  
Incl. lock nut M12 (x4)



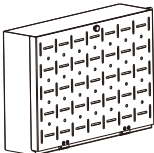
Y. (x1)



Z. (x2)



AA. Cable duct  
(x1)



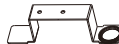
AB. (x1)  
Incl. M5x8 (x1)



AC. (x2)



AD. (x1)



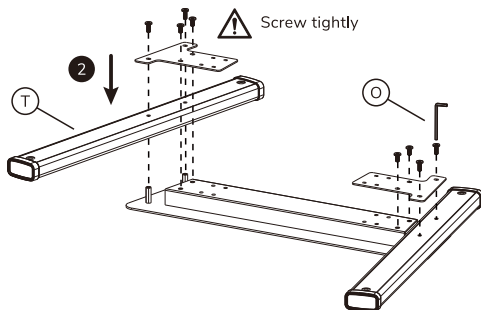
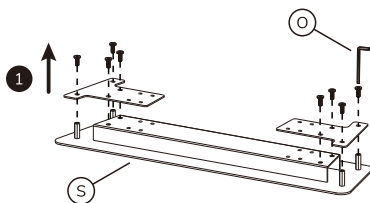
AE. (x1)



AF. 3M VHB adhesive pads  
(x1)

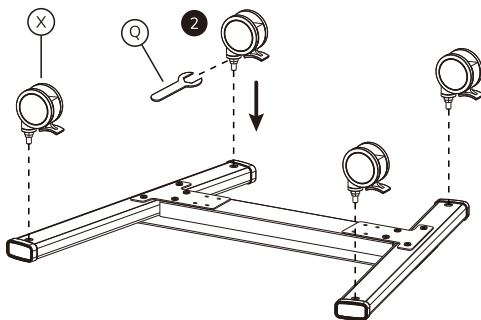
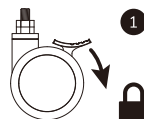
## STEP 1

- EN Assemble the base
- NL Monteer de basis
- DE Montieren Sie die Basis
- FR Assemblez la base
- IT Monti la base
- ES Montar la base
- PT Montar a base
- PL Złóż podstawę.



## STEP 2

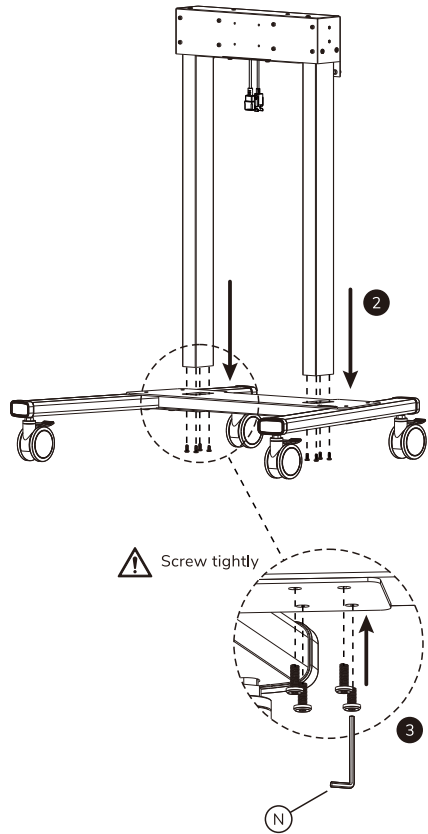
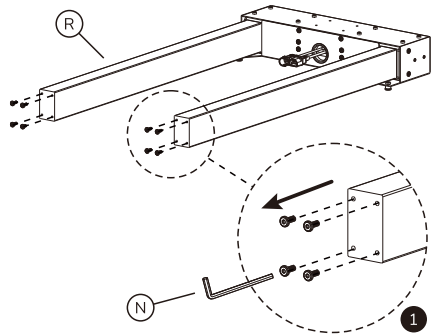
- EN Install the casters. Screw tightly
- NL Installeer de wielen. Schroef stevig vast
- DE Installieren Sie die Rollen. Fest anziehen
- FR Installez les roulettes. Vissez fermement
- IT Installa le rotelle. Vitare strettamente
- ES Instalar las ruedas. Atornillar fijamente
- PT Instale as rodas. Aparafusar firmemente
- PL Zainstaluj kółka. Dokręć śrubę dokładnie





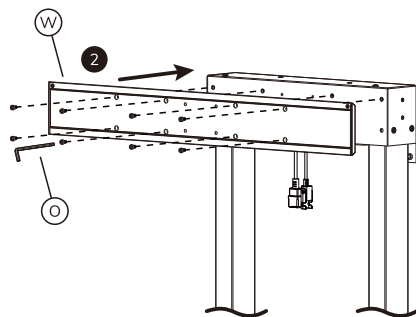
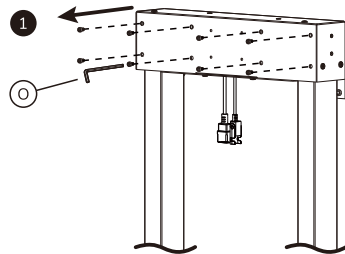
## STEP 3

- EN Attach the vertical supports to the base  
NL Bevestig de verticale staanders aan de voet  
DE Befestigen Sie die vertikalen Stützen an der Basis  
FR Fixez les supports verticaux à la base  
IT Fissare i supporti verticali alla base  
ES Fije los soportes verticales a la base  
PT Anexe os suportes verticais à base  
PL Przymocuj wsporniki pionowe do podstawy



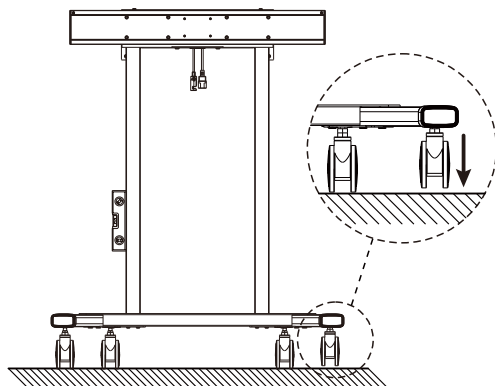
## STEP 4

- EN Attach the back plate to the floor stand
- NL Bevestig de achterplaat aan de vloersteun
- DE Befestigen Sie die Rückwand am Bodenständer
- FR Fixez le panneau arrière au support de sol
- IT Fissare il pannello posteriore al supporto a pavimento
- ES Fije el panel trasero al soporte de suelo
- PT Anexar o painel traseiro ao suporte de chão
- PL Przymocuj panel tylny do stojaka podłogowego

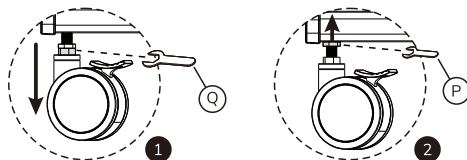


## STEP 5

- EN Ensure the correct alignment
- NL Zorg voor de juiste uitlijning
- DE Auf die richtige Ausrichtung achten
- FR Assurer un alignement correct
- IT Assicurare il corretto allineamento
- ES Asegurar la alineación correcta
- PT Assegurar o alinhamento correcto
- PL Zapewnienie prawidłowego ustawienia

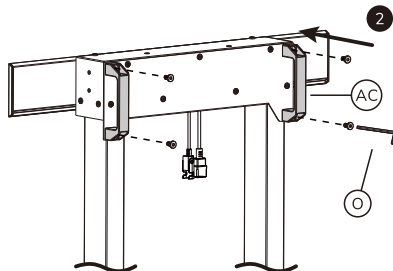
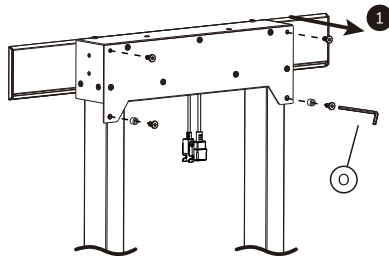


Do not screw too far



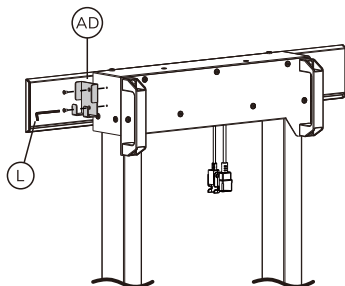
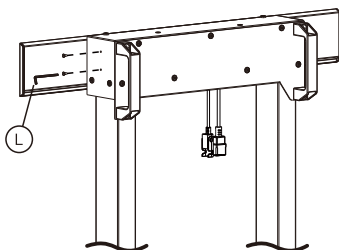
## STEP 6

- EN Install the handles
- NL Installeer de handvatten
- DE Montieren Sie die Griffe
- FR Installer les poignées
- IT Installare le maniglie
- ES Instalar las asas
- PT Instalar as pegas
- PL Zamontować uchwyty



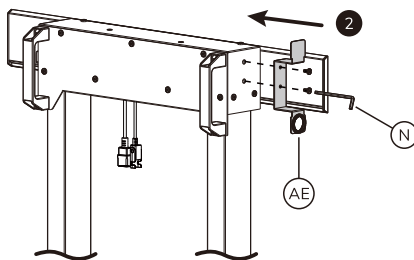
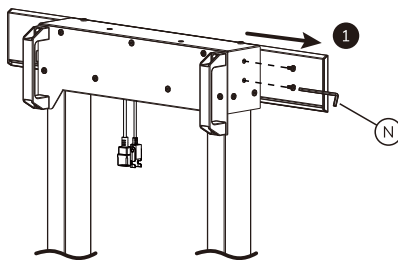
## STEP 7

- EN Attach the control unit holder
- NL Bevestig de afstandsbediening houder
- DE Befestigen Sie die Bedieneinheit Halter
- FR Fixez le support de l'unité de command
- IT Attaccare il supporto per l'unità di controllo
- ES Coloque el soporte de la unidad de control
- PT Prenda o suporte da unidade de controlo
- PL Dołącz uchwyty zespół sterujący



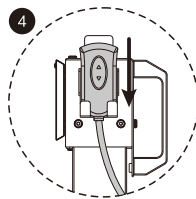
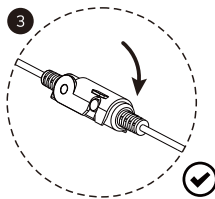
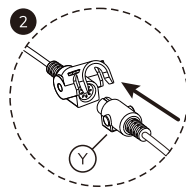
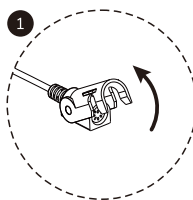
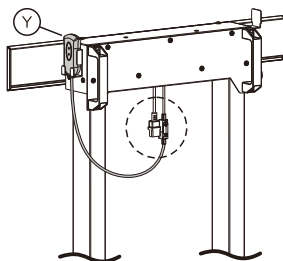
## STEP 8

- EN Install the cable management
- NL Bevestig het kabelmanagement
- DE Befestigen Sie das Kabelmanagement
- FR Installez le système de gestion des câbles
- IT Installare la gestione dei cavi
- ES Instalar el gestor de cables
- PT Instalar o gestor de cabos
- PL Zainstaluj zarządzanie kablami



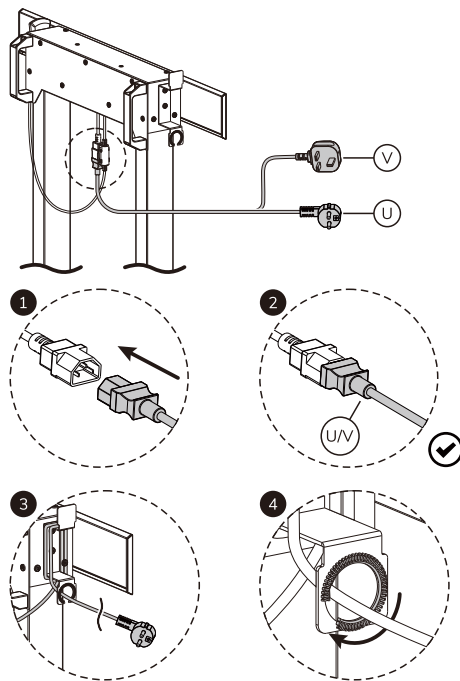
## STEP 9

- EN Connect the plug of the control unit and place the remote control
- NL Sluit de stekker van de bedieningsunit aan en plaats de afstandsbediening
- DE Schließen Sie das Steuergerät an und setzen Sie die Fernbedienung ein
- FR Branchez l'unité de commande et insérez la télécommande
- IT Collegare l'unità di controllo e inserire l'unità di comando a distanza
- ES Conecte la unidad de control e inserte el mando a distancia
- PT Ligar a unidade de controlo e inserir a unidade de controlo remoto
- PL Podłączyć jednostkę sterującą i włożyć pilot zdalnego sterowania



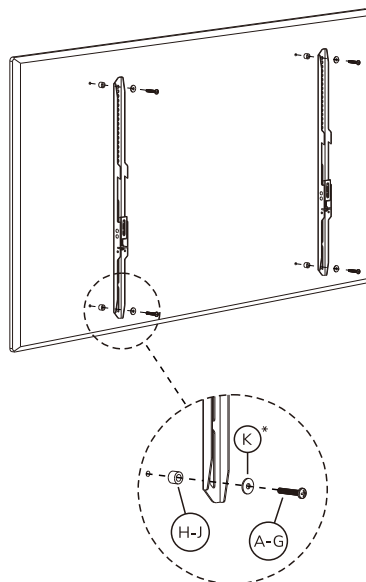
## STEP 10

- EN Connect and route the cables  
NL Verbind en geleid de kabels  
DE Verbinden und Verlegen Sie der Kabel  
FR Connectez et acheminez les câbles  
IT Collegare e instradare i cavi  
ES Conectar y dirigir los cables  
PT Ligar e encaminhar os cabos  
PL Podłączenie i układanie kabli



## STEP 11

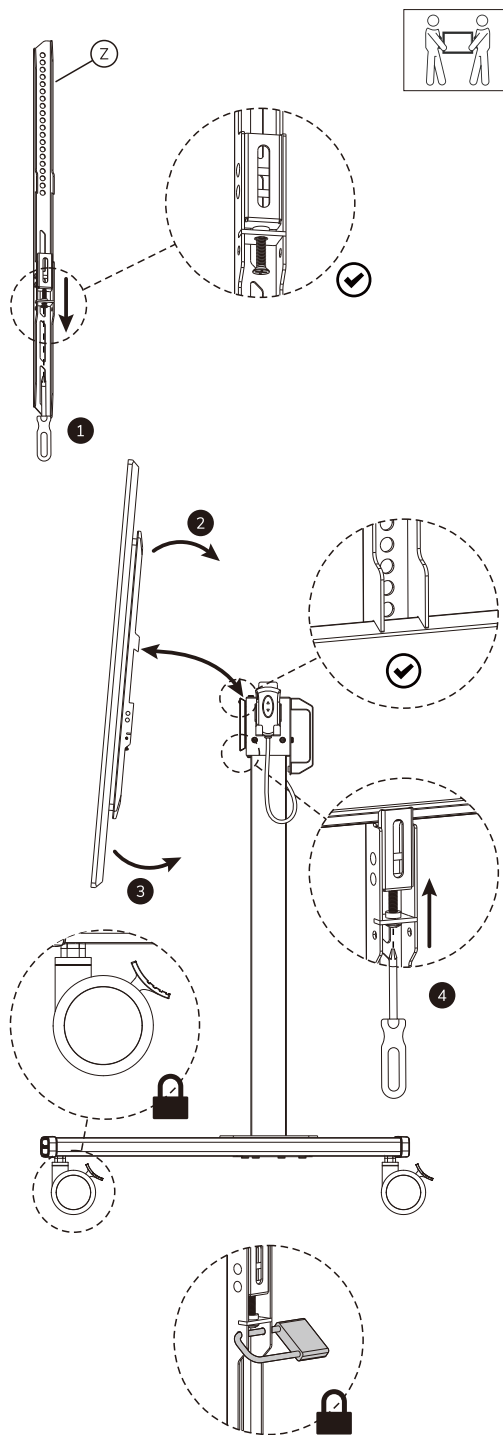
- EN Install the adapter brackets and use spacers if necessary  
NL Bevestig de adapter steunen en gebruik afstandhouders indien nodig  
DE Montage die Halterungsschienen und verwenden Sie Distanzscheiben wenn nötig  
FR Installation des adaptateurs sur l'écran et utilisez des entretoises si nécessaire (selon la forme de votre écran)  
IT Monti il supporto del adattatore e utilizzare distanziatori se necessario  
ES Conecte los soportes del adaptador y use espaciadores si es necesario  
PT Instalação de braços adaptadores e utilize separadores se necessário  
PL Zainstaluj ramiona uchwyty i użyj dystansów jeśli jest taka potrzeba



\* Only applicable when using M5/M6

## STEP 12

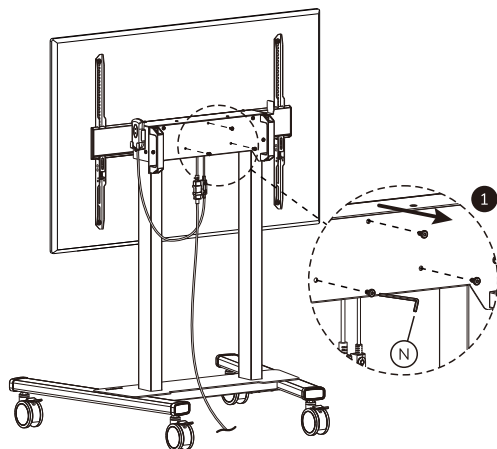
- EN Attach the screen onto the bracket and secure it  
NL Bevestig het scherm aan de steun en zet vast  
DE Befestigung und Sicherung des Bildschirmes an die Halterung  
FR Accrochez l'écran sur le support et fixez-le  
IT Appendere lo schermo sulla staffa e fissarlo  
ES Cuelgue la pantalla en el soporte y asegúrela  
PT Pendure a tela no suporte e prenda-a  
PL Zawieś ekran na wsporniku i zabezpiecz go




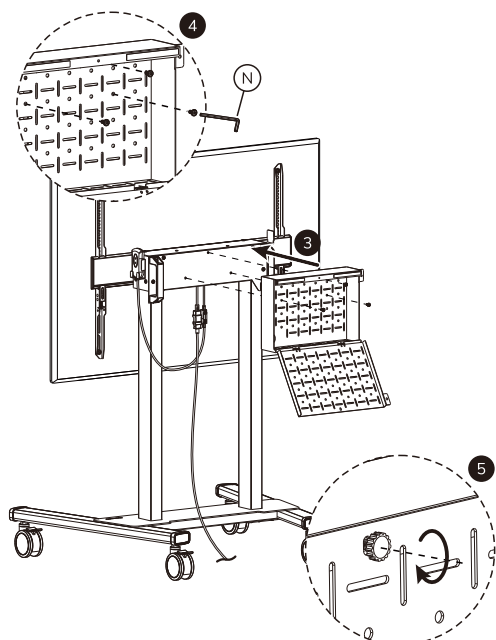
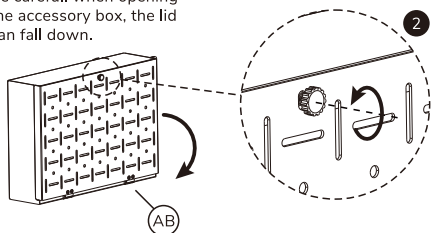
Attach a padlock (not included) as desired

## STEP 13

- EN Install the hardware compartment
- NL Installeer het hardware-compartiment
- DE Befestigen Sie das Hardwarefach
- FR Installez le compartiment hardware
- IT Installare lo scomparto hardware
- ES Instalar el compartimento de hardware
- PT Instalar o compartimento de hardware
- PL Zamontować komorę okuć

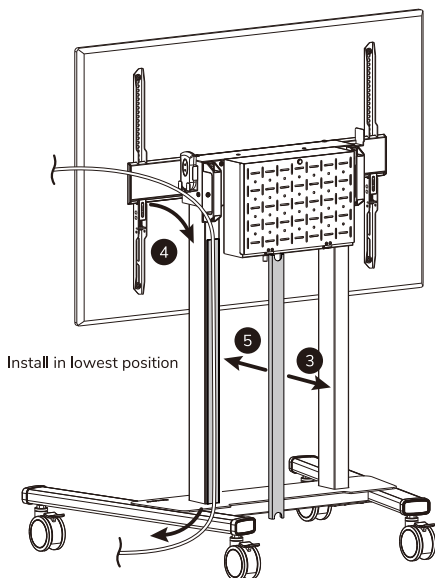
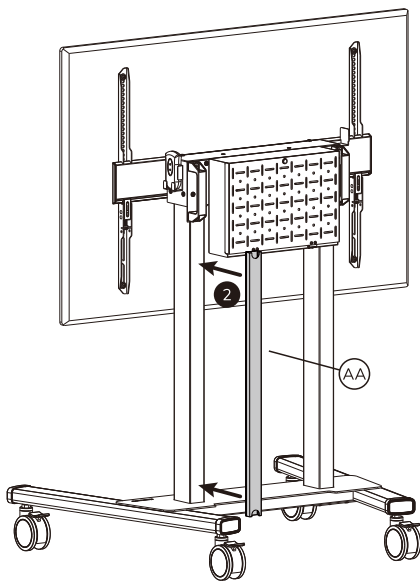
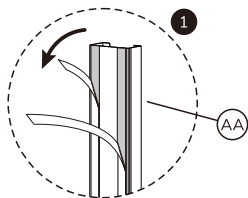


 Be careful! when opening the accessory box, the lid can fall down.



## OPTION

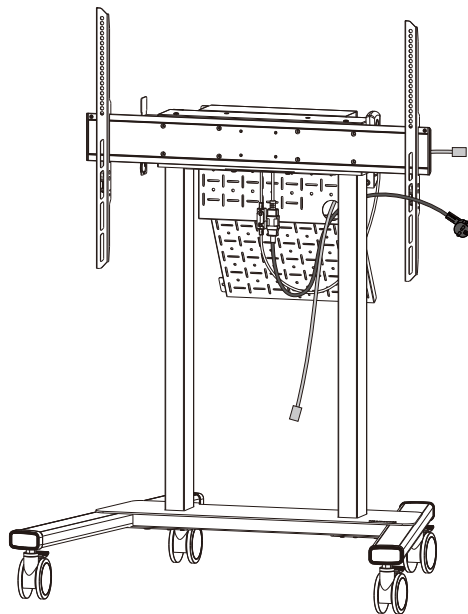
- EN Place the cable cover
- NL Plaats de kabelgoot
- DE Installieren Sie die Kabelabdeckung
- FR Installez le couvercle du câble
- IT Installare il coperchio del cavo
- ES Instalar la cubierta del cable
- PT Instalar a cobertura do cabo
- PL Zamontować osłonę kabla





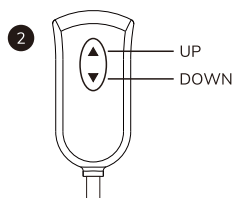
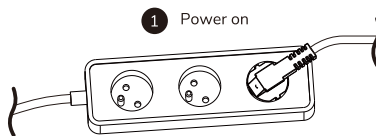
## STEP 14

- EN Route the cables
- NL Geleid de kabels
- DE Kabel verlegen
- FR Positionnez vos câbles
- IT Intradare i cavi
- ES Colocacion de los cables
- PT Colocação dos Cabos
- PL Organizacja kabli



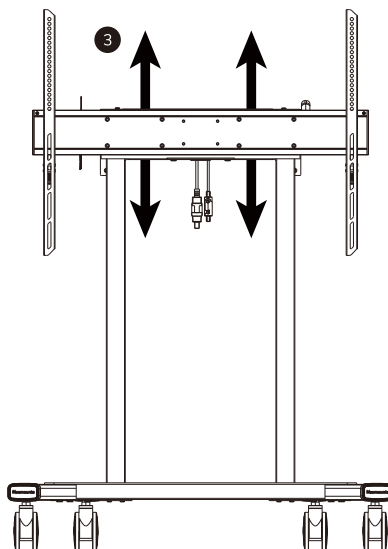
## STEP 15

- EN Connect the floor stand to power  
NL Sluit de vloersteen aan op stroom  
DE Schließen Sie den Bodenständer an die Stromversorgung an  
FR Connectez le pied de sol à l'alimentation  
IT Collegare il supporto da pavimento all'alimentazione  
ES Conecte el soporte de suelo a la corriente  
PT Ligar o suporte de chão à corrente  
PL Podłączenie statywu podłogowego do zasilania



Duty cycle: Max. 2 min operation / Min. 18 min stop.

System detects and prevents overheating by shutting down for approximately 18 min. after detection. After cool down period system activates automatically.

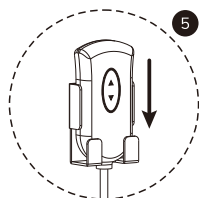
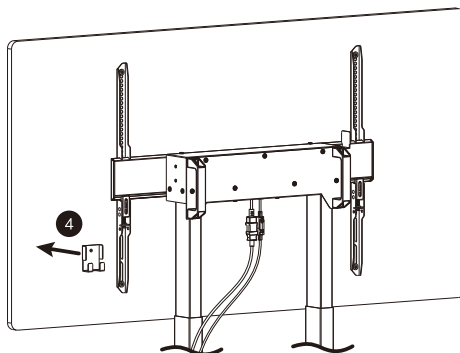
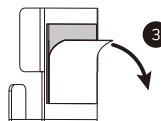
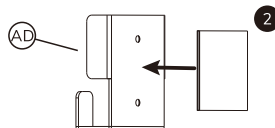
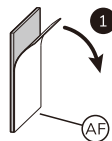


If the floorstand legs stops moving, a reset and rebalance will be needed.

1. Push and hold the DOWN button on your remote until the legs are at the very bottom.
2. Keep holding the DOWN button for another 5-10 seconds until the legs react and move slightly upwards.
3. When upwards reaction has been identified the remote control function has been restarted and the legs will react as normal to your remote actions.

## OPTION

- EN** Place the self-adhesive pads on the remote control holder and attach the holder where desired
- NL** Plaats de zelfklevende pads op de houder van de afstandsbediening en bevestig de houder waar gewenst
- DE** Bringen Sie die selbstklebenden Pads auf dem Fernbedienungshalter an und befestigen Sie den Halter an der gewünschten Stelle
- FR** Placez les tampons auto-adhésifs sur le support de la télécommande et fixez-les à l'endroit souhaité
- IT** Posizionare i cuscinetti autoadesivi sul supporto del telecomando e fissarli nel punto desiderato
- ES** Coloque las almohadillas autoadhesivas en el soporte del mando a distancia y fije el soporte donde desee
- PT** Colocar as almofadas autocolantes no suporte do controlo remoto e fixar o suporte onde desejar
- PL** Umieścić samoprzylepne podkładki na uchwycie pilota i zamocować uchwyt w wybranym miejscu



# EC DECLARATION OF CONFORMITY

This Declaration of Conformity is issued under the sole responsibility of the manufacturer.



## Manufacturer

Company name: Newstar Computer Products Europa B.V.  
Full address: Wateringweg 62  
Postal code: 2031 EJ  
Place: Haarlem  
Country: The Netherlands

## Description and identification of the machinery

Product description: Motorized floor stand  
Motorized wall stand  
Model/Type: FL55-875 / WL55-875  
Function: Motorized height adjustable display lift

## Compliance

The manufacturer declares that the above mentioned machinery fulfils all relevant provisions of

Machinery Directive 2006/42/EG

EMC Directive 2014/30/EU

RoHS Directive 2011/65/EU including amendment 2015/863/EU

In conjunction with the following harmonised standards and where appropriate other technical standards and specifications

## Safety of Machinery

EN ISO 12100:2010;

## Safety of Electrical Equipment

EN 60335-1:2012+AC:2014;

EN 62233:2008

## Electromagnetic Compatibility (EMC)

EN 61000-3-2:2014;

EN 61000-3-3:2013

EN 61000-6-3:2007+AC:2012;

EN 61000-6-1:2007

EN 62233:2008

## Technical documentation for the product is available from:

Name: Newstar Computer Products Europa B.V.

Full address: Wateringweg 62, 2031 EJ Haarlem, The Netherlands

Place of issue: Haarlem, The Netherlands

Date of issue: October 17, 2022

Name: Barry Meester

Function: Head of Product Management

Signature:

A handwritten signature in blue ink, appearing to read 'Barry Meester', is written over a light blue rectangular background. The signature is fluid and cursive, with a long horizontal stroke extending to the right.

# UK DECLARATION OF CONFORMITY

This Declaration of Conformity is issued under the sole responsibility of the manufacturer.



## Manufacturer

Company name: Newstar Computer Products Europa B.V.  
Full address: Wateringweg 62  
Postal code: 2031 EJ  
Place: Haarlem  
Country: The Netherlands

## Description and identification of the machinery

Product description: Motorized floor stand  
Motorized wall stand  
Model/Type: FL55-875 / WL55-875  
Function: Motorized height adjustable display lift

The object of the declaration described above is in conformity with the relevant UK Statutory Instruments (and their amendments)

2008 No. 1597 Supply of Machinery (Safety) Regulations 2008  
2012 No. 3032 The Restriction of the Use of Certain Hazardous Substances in Electrical and Electronic Equipment Regulations 2012  
2016 No. 1091 Electromagnetic Compatibility Regulations 2016

References to the relevant designated standards used or references to the other technical specifications in relation to which conformity is declared:

## Safety of Machinery

EN ISO 12100:2010;

## Safety of Electrical Equipment

EN 60335-1:2012+AC:2014;  
EN 62233:2008

## Electromagnetic Compatibility (EMC)

EN 61000-3-2:2014;  
EN 61000-3-3:2013  
EN 61000-6-3:2007+AC:2012;  
EN 61000-6-1:2007  
EN 62233:2008

## Technical documentation for the product is available from:

Name: Newstar Computer Products Europa B.V.  
Full address: Wateringweg 62, 2031 EJ Haarlem, The Netherlands

Place of issue: Haarlem, The Netherlands  
Date of issue: October 17, 2022

Name: Barry Meester  
Function: Head of Product Management

Signature:

A handwritten signature in blue ink is written over a light blue rectangular background. The signature is stylized and appears to read 'Barry Meester'.

**Neomounts<sup>®</sup>**  
BY NEWSTAR

**Neomounts<sup>®</sup>**  
BY NEWSTAR

## EN CAUTION

1. To ensure safety, please read this manual carefully before installation and follow the instructions. Store this manual in a secure place for future reference.
2. The manufacturer shall not be held equally responsible for any equipment damage or personal injury caused by incorrect installation or operation other than that covered in this manual.
3. The mount is designed for easy installation and removal. The manufacturer shall not be liable for damage to equipment or personal injuries arising out of human factors or acts of nature, such as earthquake or typhoon.
4. It is recommended that the mount be installed by qualified personnel only.
5. At least two persons are needed to install or remove the product to avoid hazard of falling objects.
6. Please carefully inspect the area where the mount is to be installed:
  - Avoid places that are subject to high temperatures, humidity or contact with water.
  - Do not install the product near air conditioning vents or areas with excess dust and fumes.
  - Only install on vertical walls and avoid slanted surfaces.
  - Do not install in places subject to any shock or vibration.
  - Do not install in places subject to direct exposure to bright light, as it may cause eye fatigue when viewing the display panel.
7. Maintain sufficient space around the display to ensure adequate ventilation.
8. To ensure safe installation, first check the structure of the wall, ceiling or floor and select a secure mounting location.
9. The weight of the ceiling is strong enough to support a weight of at least four times of the display and mount combined. The mounting location must be able to withstand earthquake or other strong shock.
10. Do not modify any accessories or use broken parts. Contact your dealer with any questions.
11. Tighten all screws (do not exert excessive force to avoid breaking the screw or damaging its thread).
12. Drill holes and bolts will be left in the wall, ceiling or floor once the display and bracket are removed. Stains may occur after extended use.
13. Please the manufacturer's way to control the wall, ceiling or floor type and installation of the mount, the warranty of the product shall only cover the body of the mount. The warranty period of the product is 5 years.
14. Please consult the English language manual for any dispute on conditions.

## DE VORSICHT

1. Um die Sicherheit zu gewährleisten, lesen Sie dieses Handbuch vor der Installation sorgfältig durch und befolgen Sie die Anweisungen. Bewahren Sie dieses Handbuch an einem sicheren Ort auf, damit Sie später darauf zurückgreifen können.
2. Der Hersteller ist rechtlich nicht verantwortlich für Geräteschäden oder Personenschäden, die durch eine andere als die in diesem Handbuch beschriebenen Installation oder Bedienung verursacht werden.
3. Das Produkt ist für eine einfache Installation und Demontage ausgelegt. Der Hersteller haftet nicht für Schäden an Geräten oder Personenschäden, die durch menschliche Faktoren oder Naturereignisse wie Erdbeben oder Taifun verursacht werden.
4. Es wird empfohlen, das Produkt nur durch qualifiziertes Personal zu installieren.
5. Zur Installation oder Demontage des Produktes sind mindestens zwei Personen erforderlich, um die Gefahr von herabfallenden Gegenständen zu vermeiden.
6. Bitte überprüfen Sie den Bereich, in dem das Produkt installiert werden soll sorgfältig:
  - Vermeiden Sie Orte die hohen Temperaturen, Feuchtigkeit oder Kontakt mit Wasser ausgesetzt sind.
  - Installieren Sie das Produkt nicht in der Nähe von Lüftungsschlitzen von Klimaanlage oder Bereichen mit übermäßigem Staub und Rauch.
  - Installieren Sie das Produkt nur an eine vertikale Wand. Vermeiden Sie schräge Oberflächen.
  - Nicht an Orten installieren, die Erschütterungen oder Vibrationen ausgesetzt sind.
  - Nicht an Orten installieren die direkter Sonneneinstrahlung bzw. zu starkem Licht ausgesetzt sind, da dies beim Betrachten der Bildschirmanzeige zu Ermüdung der Augen führen kann.
7. Sorgen Sie für ausreichend Platz um das Display, um eine ausreichende Belüftung zu gewährleisten.
8. Um die Sicherheit zu gewährleisten und Unfälle zu vermeiden ist es notwendig vor der Installation die Wand-, Decken- oder Bodenstruktur zu überprüfen und eine sichere Stelle auszuwählen.
9. Pour garantir la sécurité, vérifiez d'abord la structure de la surface, du mur, du plafond ou du sol, ni la qualité d'installation du produit, la garantie du produit ne couvre que le produit lui-même, et non le fonctionnement du produit. La période de garantie du produit est de 5 ans.
10. Modifizieren Sie kein Zubehör und verwenden Sie keine beschädigten Teile. Wenden Sie sich bei Fragen bitte an Ihren Händler.
11. Ziehen Sie alle Schrauben fest (üben Sie keine übermäßige Kraft aus, um ein Brechen der Schraube oder eine Beschädigung des Gewindes zu vermeiden).
12. Nach dem Entfernen des Produktes können Löcher in der Wand-, Decken- oder Boden verbleiben. Nach längerem Gebrauch können Flecken auftreten.
13. Der Hersteller hat keinen Einfluss auf die Wand-, Decken- oder Bodentart und die Installation der Halterung. Deshalb deckt die Garantie des Produktes nur das Produkt selbst ab. Die Garantiezeit des Produktes beträgt 5 Jahre.
14. Bei Streitigkeiten über die Bedingungen ziehen Sie bitte das englischsprachige Handbuch hinzu.

## FR ATTENTION

1. Pour assurer la sécurité, veuillez lire attentivement ce manuel avant l'installation et suivre les instructions. Conservez ce manuel dans un endroit sûr pour un besoin ultérieur.
2. Le fabricant ne sera pas légalement responsable de tout dommage à l'équipement ou de blessures corporelles causé par une installation ou une utilisation incorrecte autre que celles précisées dans ce manuel.
3. Le produit est conçu pour une installation et un démontage faciles. Le fabricant ne peut être tenu responsable des dommages à l'équipement ou des blessures corporelles résultant de facteurs humains ou d'actes de nature, tels qu'un tremblement de terre ou un typhon.
4. Il est recommandé que le produit soit installé uniquement par du personnel qualifié.
5. Au moins deux personnes sont nécessaires pour installer ou démonter le produit afin d'éviter tout risque de chute d'objets.
6. Veuillez inspecter soigneusement la zone où le produit doit être installé:
  - Évitez les endroits soumis à des températures élevées, à l'humidité ou au contact avec de l'eau.
  - N'installez pas le produit à proximité de bouches de climatisation ou de zones avec un excès de poussière et de fumées.
  - Installez uniquement sur des murs verticaux et évitez les surfaces inclinées.
  - Ne pas installer dans des endroits soumis à des chocs ou des vibrations.
  - N'installez pas dans des endroits soumis à une exposition directe à la lumière vive, car cela peut provoquer une fatigue oculaire lors de la visualisation des écrans d'affichage.
7. Maintenez un espace suffisant autour de l'écran pour assurer une adéquate ventilation.
8. Pour garantir une installation sûre, vérifiez d'abord la structure de la surface, du mur, du plafond ou du sol et sélectionnez un emplacement de montage sécurisé.
9. La surface, le mur, le plafond ou le sol doivent être suffisamment solides pour supporter un poids d'au moins quatre fois l'écran et le produit combinés. L'emplacement de montage doit pouvoir résister aux tremblements de terre ou à d'autres chocs violents.
10. Ne modifiez aucun accessoire et n'utilisez pas de pièces cassées. Contactez votre revendeur pour toute question à ce sujet.
11. Serrez toutes les vis (n'exercez pas de force excessive pour éviter de casser les vis ou d'endommager leur filetage).
12. Des trous et des boulons peuvent être laissés dans le mur, le plafond ou le sol une fois le produit retiré. Des taches peuvent apparaître après une utilisation prolongée.
13. Étant donné que le fabricant ne peut pas vérifier / superviser la qualité de la surface / du mur, du plafond ou du sol, ni la qualité d'installation du produit, la garantie du produit ne couvre que le produit lui-même, et non le fonctionnement du produit. La période de garantie du produit est de 5 ans.
14. Veuillez consulter le manuel pour tout différend sur les conditions.

## IT ATTENZIONE

1. Per garantire la sicurezza, leggere attentamente questo manuale prima dell'installazione e seguire le istruzioni. Conservare questo manuale in un luogo sicuro per riferimenti futuri.
2. Il produttore non sarà legalmente responsabile per eventuali danni alle apparecchiature o lesioni personali causati da installazione o funzionamento non corretti diversi da quelli descritti nel presente manuale.
3. Il prodotto è progettato per una facile installazione e rimozione. Il produttore non è responsabile per danni alle apparecchiature o lesioni personali derivanti da fattori umani o atti di natura, come terremoti o tifoni.
4. Si consiglia di installare il prodotto solo da personale qualificato.
5. Per installare o rimuovere il prodotto sono necessarie almeno due persone per evitare il rischio di caduta di oggetti.
6. Ispezionare attentamente l'area in cui il prodotto deve essere installato:
  - Evitare luoghi soggetti ad alte temperature, umidità o contatto con l'acqua.
  - Non installare il prodotto vicino a prese d'aria o aree con polvere e fumi in eccesso.
  - Installare solo su pareti verticali ed evitare superfici inclinate.
  - Non installare in luoghi soggetti a urti o vibrazioni.
  - Non installare in luoghi soggetti a esposizione diretta a luce intensa, in quanto potrebbe causare affaticamento degli occhi durante la visualizzazione del pannello del display.
7. Mantenere uno spazio sufficiente attorno al display per garantire un'adeguata ventilazione.
8. Per garantire un'installazione sicura, verificare innanzitutto la struttura della superficie, della parete, del soffitto o del pavimento e selezionare una posizione di montaggio sicura.
9. La superficie, la parete, il soffitto o il pavimento devono essere sufficientemente robusti da sostenere un peso di almeno quattro volte il display e il prodotto combinati. La posizione di montaggio deve essere in grado di resistere a terremoti o altri forti urti.
10. Non modificare alcun accessorio o utilizzare parti rotte. Contatta il tuo rivenditore per qualsiasi domanda.
11. Stringere tutte le viti (non esercitare una forza eccessiva per evitare di rompere la vite o danneggiare la filettatura).
12. Una volta rimosso il prodotto, è possibile lasciare fori nella parete, nel soffitto o nel pavimento. Le macchie possono verificarsi dopo un uso prolungato.
13. Poiché il produttore non può verificare / supervisionare la qualità della superficie / parete, soffitto o pavimento né la qualità dell'installazione del prodotto, la garanzia del prodotto copre solo il prodotto stesso, non il funzionamento del prodotto. Il periodo di garanzia del prodotto è di 5 anni.
14. Consultare il manuale in lingua inglese per qualsiasi controversia relativa alle condizioni.

## ES PRECAUCIÓN

1. Para garantizar su seguridad, lea este manual cuidadosamente antes de la instalación y siga las instrucciones. Conserve este manual en un lugar seguro para futuras consultas.
2. El fabricante no será legalmente responsable de ningún daño producido sobre el equipo o lesión personal causada por una instalación o uso no mencionado explícitamente en este manual.
3. El soporte está diseñado para una fácil instalación y extracción. El fabricante no será responsable por daños al equipo o lesiones personales que se causan por factores humanos o actos de la naturaleza, como terremotos o tifones.
4. Se recomienda que el soporte sea instalado solo por personal cualificado.
5. Para evitar que se caiga el producto, la instalación o retirada deberá ser realizada por al menos dos personas.
6. Inspeccione detenidamente el área donde se instalará el soporte:
  - Evite los lugares sometidos a altas temperaturas, humedad o contacto con el agua.
  - No instale el producto cerca de ventiladores de aire acondicionado o áreas con exceso de polvo y humos.
  - Instalar solo en paredes verticales y evitar superficies inclinadas.
  - No instale en lugares sujetos a golpes o vibraciones.
  - No instale en lugares sometidos a la exposición directa a la luz brillante, ya que puede causar fatiga ocular al ver el panel de la pantalla.
7. Mantenga suficiente espacio alrededor de la pantalla para asegurar una ventilación adecuada.
8. Para garantizar una instalación segura, primero verifique la estructura de la pared, el techo o el piso y seleccione una ubicación de montaje segura.
9. La pared, el techo o el piso deben ser lo suficientemente fuertes para sostener un peso de al menos cuatro veces la pantalla y el montaje combinados. La ubicación de montaje debe ser capaz de resistir un terremoto o otro golpe fuerte.
10. No modifique ningún accesorio ni utilice componentes deteriorados. Póngase en contacto con su distribuidor si tiene alguna duda.
11. Apriete todos los tornillos (no ejerza demasiada fuerza para evitar que se roma el tornillo o se dañe la rosca).
12. Mantenga los orificios y los pernos en la pared, techo o suelo después de retirar la pantalla y el soporte. Podrían quedar manchas después de un uso prolongado.
13. Dado que el fabricante no tiene la capacidad de controlar el tipo de pared, techo o piso y la instalación del soporte, la garantía del producto solo cubrirá el cuerpo del producto. El periodo de garantía del producto es de 5 años.
14. Consulte el manual en inglés si tiene alguna duda acerca de las condiciones.