

SR560M



**Mounting Pattern**  
200 x 200 up to  
600 x 400mm

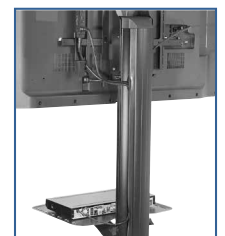
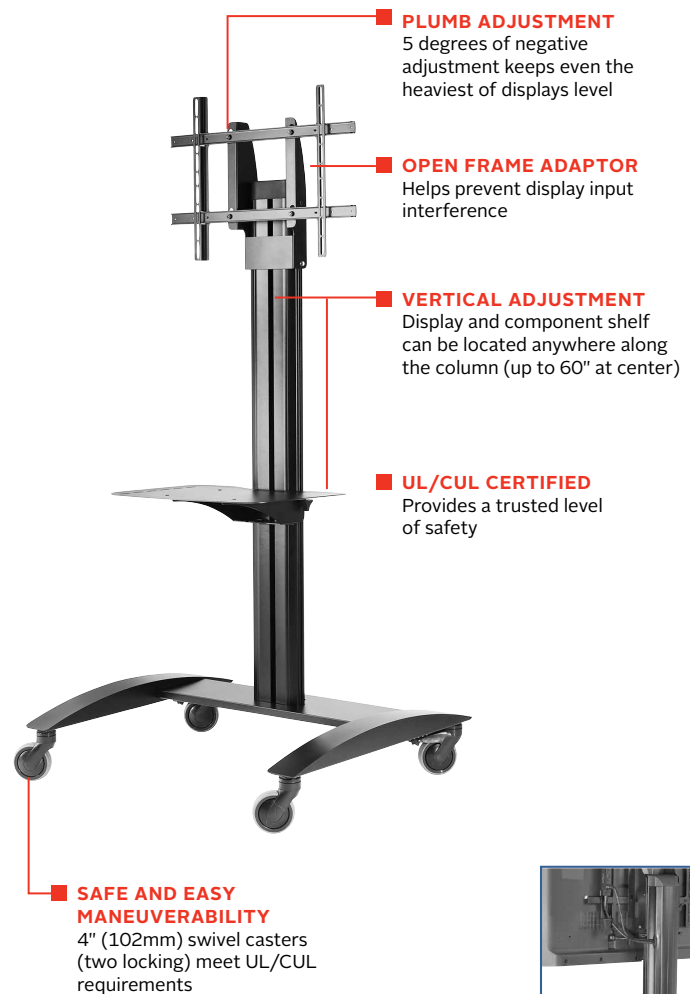


**Max Load**  
150lb (68.2kg) display  
10lb (4.55kg) per shelf

## SMARTMOUNT<sup>®</sup> Flat Panel Cart FOR 32" TO 75" DISPLAYS

The SR560M SmartMount<sup>®</sup> Flat Panel Cart has been redesigned to include all of the features you may need, making it perfect for any application. Mobility, appealing design, display height adjustment and a pre-assembled base ensure quick assembly, while providing a rigid, but attractive structure that fits into any décor. The 4" casters make it easy to move from room to room, while the UL<sup>®</sup> certification ensures that it can be done safely.

- Integrated cable management protects, contains and conceals cables for a clean, professional installation
- Pre-assembled base provides rigidity, stability and quick assembly
- Textured black powder coat finish helps hide finger prints and dust
- Universal display adaptor fits mounting patterns from 200 x 200mm to 600 x 400mm and allows mounting in landscape or portrait orientation
- Cart includes (4) plastic base pads for instances when casters are not needed



Cable management allows cables to enter or exit anywhere along the column.



SR560M	SmartMount® Flat Panel Cart for 32" to 75" Displays
--------	---

**Product Specifications**

	DIMENSIONS (W X H X D)	PRODUCT WEIGHT	LOAD CAPACITY	FINISH	AVAILABLE COLORS
SR560M	34.95" x 68.38" x 29.00" (888 x 1736 x 737mm)	66lb (30kg)	150lb (68.2kg) display 10lb (4.55kg) per shelf	Textured Powder Coat	Black

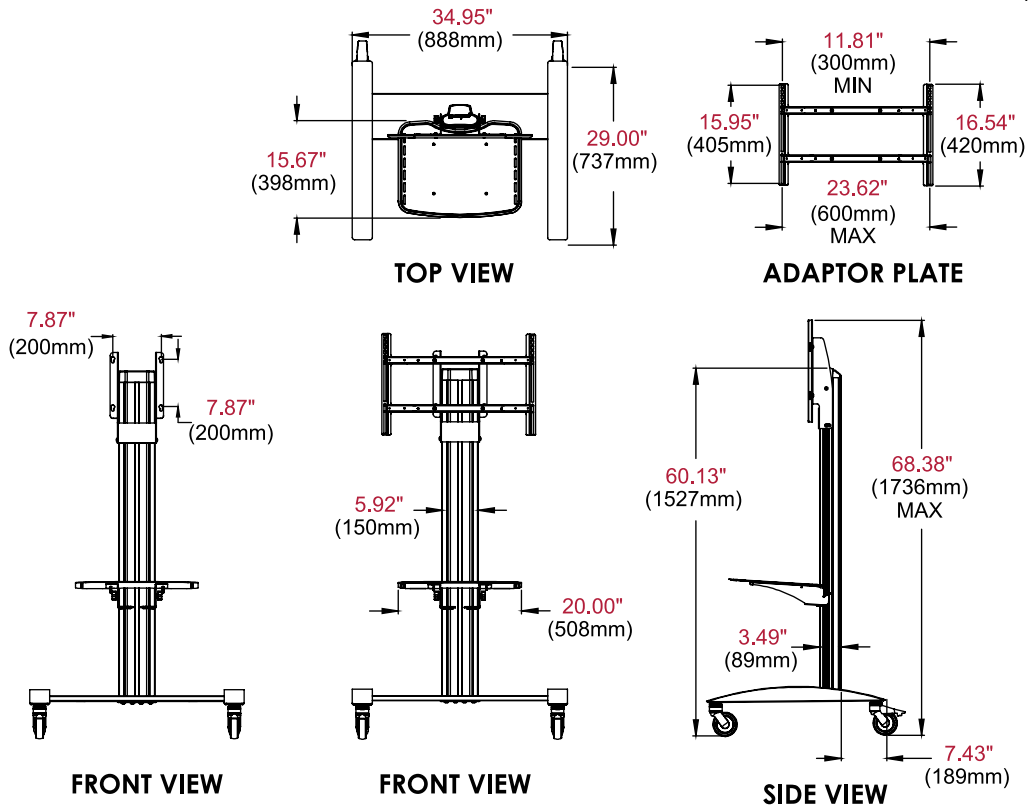
**Package Specifications**

	PACKAGE SIZE (W x H x D)	PACKAGE SHIP WEIGHT	PACKAGE UPC CODE	PACKAGE CONTENTS	UNITS IN PACKAGE
SR560M	47.50" x 7.25" x 38.50" (1207 x 184 x 978mm)	79lb (35.9kg)	735029247715	Assembled Base, Aluminum Column, Universal Display Adaptor, Metal Component Shelf, (2) Swivel Casters, (2) Locking Swivel Casters, (4) Plastic Base Pads, Hardware & Instructions	1

**Accessories**

- |   |  |
|---|--|
| <ul style="list-style-type: none"> <li><b>ACC310:</b> Leveling Feet Accessory</li> <li><b>ACC316:</b> Safety Belt</li> <li><b>ACC320:</b> Electrical Outlet Strip with Cord Wrap</li> <li><b>ACC-BPR:</b> Bumper Accessory for Legs</li> <li><b>ACC-LA:</b> Laptop Arm</li> <li><b>ACC-MS:</b> Metal Shelf</li> <li><b>ACC-UCM:</b> Universal AV Component Mount</li> </ul> | <ul style="list-style-type: none"> <li><b>ACC-V900X:</b> 600, 800 and 900mm VESA® Adaptor</li> <li><b>ACC-VCS:</b> Video Conferencing Camera Shelf</li> <li><b>DSX750:</b> Media Player Storage</li> <li><b>MIS995:</b> 800mm VESA® Adaptor</li> <li><b>MOD-UNL2:</b> Large Universal Adaptor</li> <li><b>RMI2C:</b> Rotational Mount Interface</li> </ul> |
|---|--|

All dimensions = inch (mm)



**Architect Specifications**

The SmartMount® Flat Panel Cart shall be a Peerless-AV model SR560M(-AB)(-AW) and shall be located where indicated on the plans. Assembly and installation shall be done according to instructions provided by the manufacturer.

Visit [peerless-av.com](http://peerless-av.com) to see the complete line of AV solutions from Peerless-AV, including outdoor displays, wireless, kiosks, digital audio, display mounts, projector mounts, carts/stands, and a full assortment of accessories.

**Peerless-AV**  
2300 White Oak Circle  
Aurora, IL 60502 USA  
  
**(800) 865-2112**  
**(630) 375-5100**  
**Fax: (800) 359-6500**

**Peerless-AV EMEA**  
Unit 3 Watford Interchange  
Colonial Way, Watford  
Herts, WD24 4WP  
United Kingdom  
**+44 (0) 1923 200100**  
**Fax: +44 (0) 1923 200101**

**Peerless-AV Latin America**  
Av. de las Industrias 413  
Parque Industrial Escobedo  
General Escobedo, N.L.,  
México, 66062  
**+52 (81) 8384-8300**  
**Fax: +52 (81) 8384-8360**

