

P12 Max

High Performance 120 mm PWM Fan



General Specifications

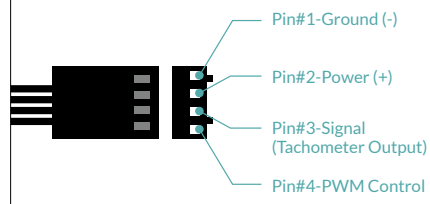
Dimensions	120 (L) x 120 (W) x 25 (H) mm
Net Weight	184 g
Warranty	6 Years

Shipping Information

Box Dimensions	125 (L) x 127 (W) x 30 (H) mm
Gross Weight	214 g
SKU	ACFAN00280A
EAN	4895213704076
UPC	840033401883
Box Content	P12 Max x 1 Mounting Screws x 4

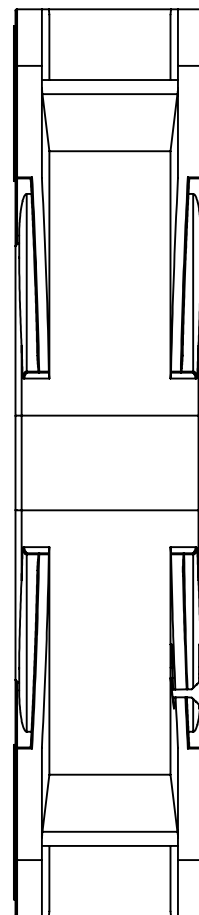
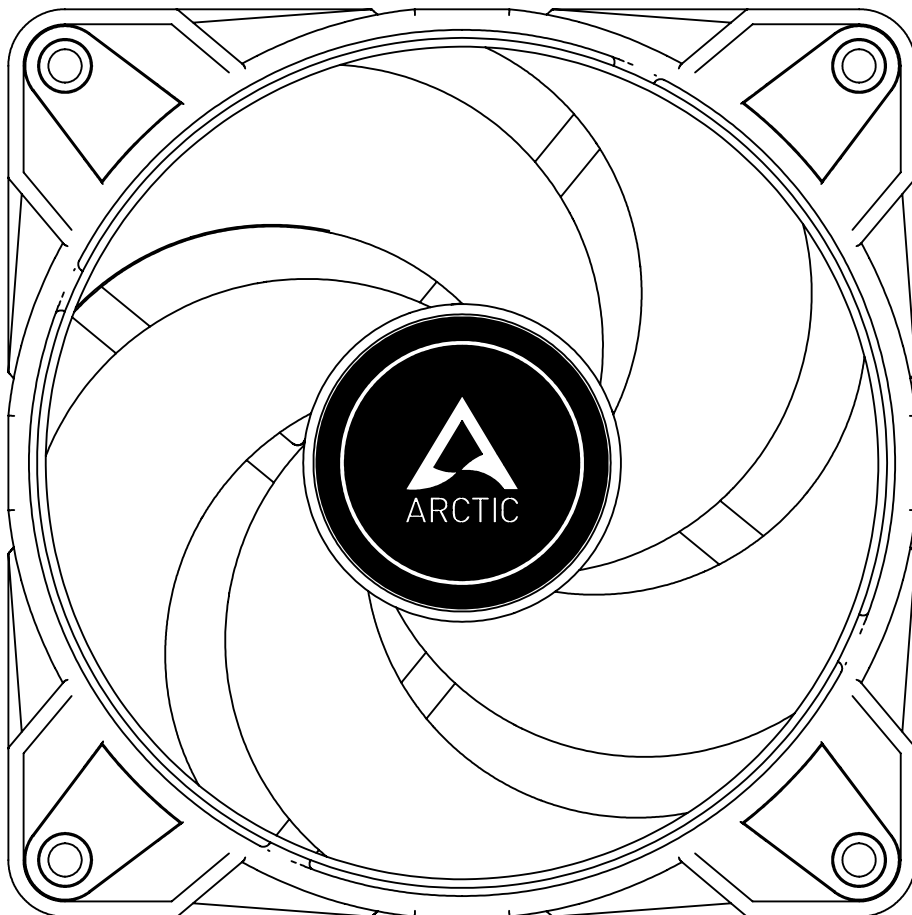
Fan Specifications

Fan Speed	200-3300 rpm 0 rpm below 5% PWM
Airflow	81.04 cfm 137.69 m ³ /h
Static Pressure	4.35 mm H ₂ O
Noise Level	0.6 Sone
Operating Ambient Temperature	0-40 °C
MTTF	> 500,000 Hours
RPM-Control	Pulse Width Modulation - PWM
Fan Bearing	Dual Ball Bearing
Typical Voltage	12 V DC
Start Up Voltage	3.9 V
Current	0.29 A
Cable Length	400 mm
Connector	4-Pin Connector



P12 Max

High Performance 120 mm PWM Fan



All materials are compatible with RoHS requirements

MORE INFORMATION



MANUALS

