



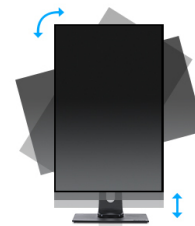
24" 3-side borderless monitor featuring IPS (In-Plane-Switching) panel with a 16:10 aspect ratio

Providing excellent performance for graphics applications in CAD, and ideal for Universities, Corporate and Financial Markets. The ProLite XUB2495WSU-B5 features an IPS panel offering accurate and consistent colour reproduction with wide viewing angles. The 1920 x 1200 native screen resolution and a 150mm height-adjustable stand featuring pivot and swivel functions deliver great versatility and comfort of use.



IPS Technology

IPS technology offers higher contrast, darker blacks and much better viewing angles than standard TN technology. The screen will look good no matter what angle you look at it.



HAS (150mm) + Pivot (rotation both sides)

With a height adjustable stand you will create an ergonomic work posture and position that meets all health and safety requirements. This will not only prevent any health issues but will also increase your productivity. The pivot function allows the screen to rotate from landscape to portrait orientation. This functionality can be useful if the application requires more height than width.

01 DISPLAY CHARACTERISTICS

Design	3-side borderless
Diagonal	24.1", 61.13cm
Panel	IPS (In-Plane-Switching), matte finish
Native resolution	1920 x 1200 @60Hz (2.3 megapixel)
Aspect ratio	16:10
Panel brightness	300 cd/m ²
Static contrast	1000:1
Advanced contrast	5M:1
Response time (GTG)	5ms
Viewing zone	horizontal/vertical: 178°/178°, right/left: 89°/89°, up/down: 89°/89°
Colour support	16.7mIn (sRGB: 99%; NTSC: 72%)
Horizontal Sync	24 - 82kHz
Viewable area W x H	518.4 x 324mm, 20.4 x 12.8"
Pixel pitch	0.27mm
Colour	matte, black

02 INTERFACES / CONNECTORS / CONTROLS

Signal input	VGA x1 HDMI x1 DisplayPort x1
USB HUB	x4 (v.2.0)
HDCP	yes
Headphone connector	yes

03 FEATURES

Blue light reducer	yes
Flicker free	yes
Extra	i-Style colour
OSD languages	EN, DE, FR, ES, IT, RU, JP, CZ, NL, PL
Control buttons	Power, Menu, Scroll up/ Volume, Scroll down/ ECO, Exit/ i-Style Colour, Input
User controls	auto adjust, picture (brightness, contrast, ECO, blue light reducer, ACR, OD, gamma), geometry (H. position, V. position, pixel clock, phase), colour settings (colour temp., user preset, hue, saturation, i-Style Colour), OSD (H. position, V. position, OSD rotate, OSD timeout, after AC cut), language, recall, miscellaneous (sharp and soft, video mode adjust, opening logo, DDC/CI, display information), input select, audio settings (volume, mute)
Speakers	2 x 2W
Convenience	Kensington-lock™ prepared, DDC/CI, DDC2B, Mac OSX

04 MECHANICAL

Display position adjustments	height, swivel, tilt, pivot (rotation both sides)
Height adjustment	150mm
Rotation (PIVOT function)	90°
Swivel stand	90°; 45° left; 45° right
Tilt angle	23° up; 5° down
VESA mounting	100 x 100mm

Cable management system yes

05 ACCESSORIES INCLUDED

Cables	power, USB, DP
Other	quick start guide, safety guide

06 POWER MANAGEMENT

Power supply unit	internal
Power supply	AC 100 - 240V, 50/60Hz
Power usage	17W typical, 0.5W stand by, 0.3W off mode

07 SUSTAINABILITY

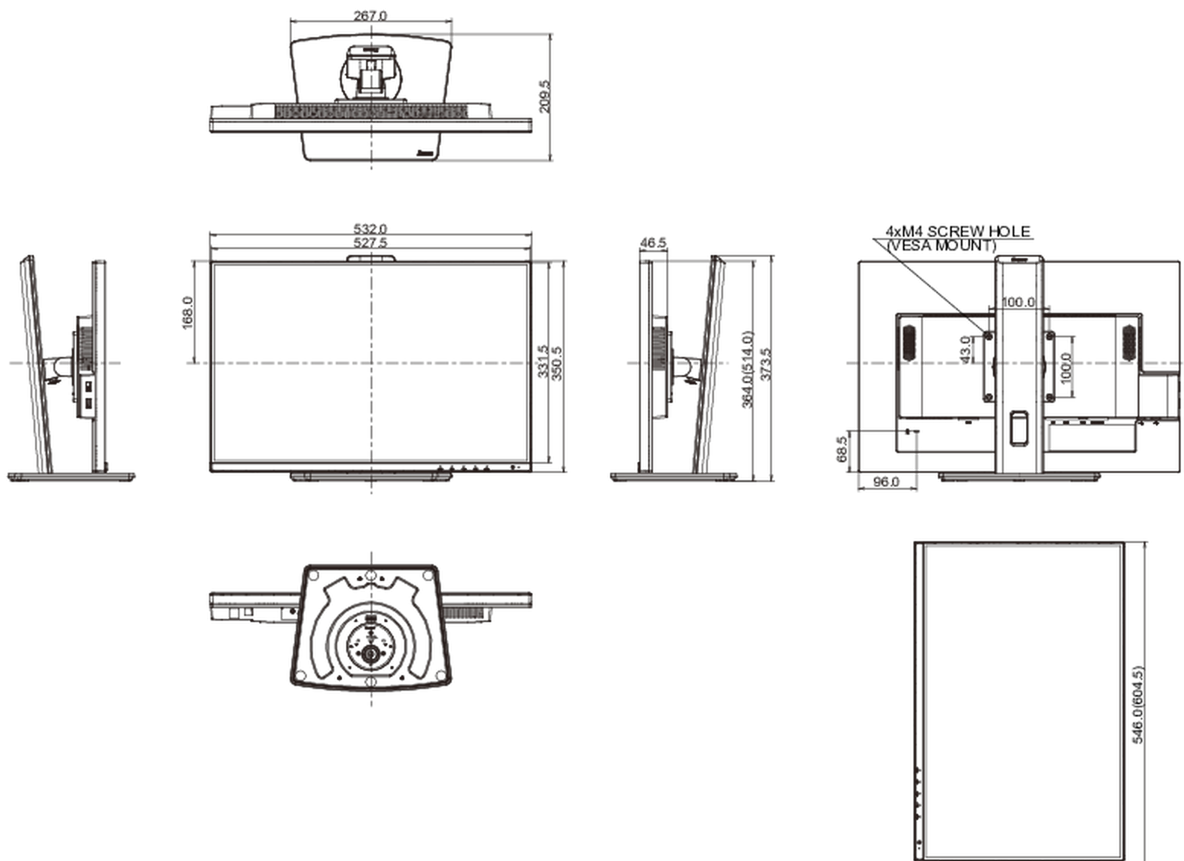
Regulations TCO Certified, CE, TÜV-GS, EAC, VCCI-B, PSE, RoHS support, ErP, ENERGY STAR®, WEEE, REACH, UKCA

Energy efficiency class (Regulation (EU) 2017/1369)	E
---	---

REACH SVHC	above 0.1%: Lead, Lead monoxide
------------	---------------------------------

08 DIMENSIONS / WEIGHT

Product dimensions W x H x D	532 x 364 (514) x 209.5mm
Box dimensions W x H x D	606 x 413 x 147mm
Weight (without box)	5.8kg
Weight (with box)	7.5kg
EAN code	4948570121496



All trademarks and registered trademarks acknowledged. E & O E. Specification subject to change without notice. All LCD's comply with ISO-9241-307:2008 in connection with pixel defects.

© IIYAMA CORPORATION. ALL RIGHTS RESERVED