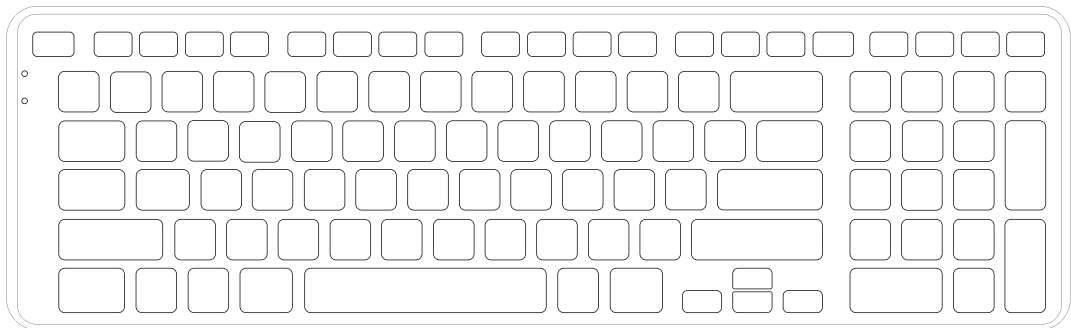


Balance Keyboard BK Wired



www.contourdesign.com

What's In The Box

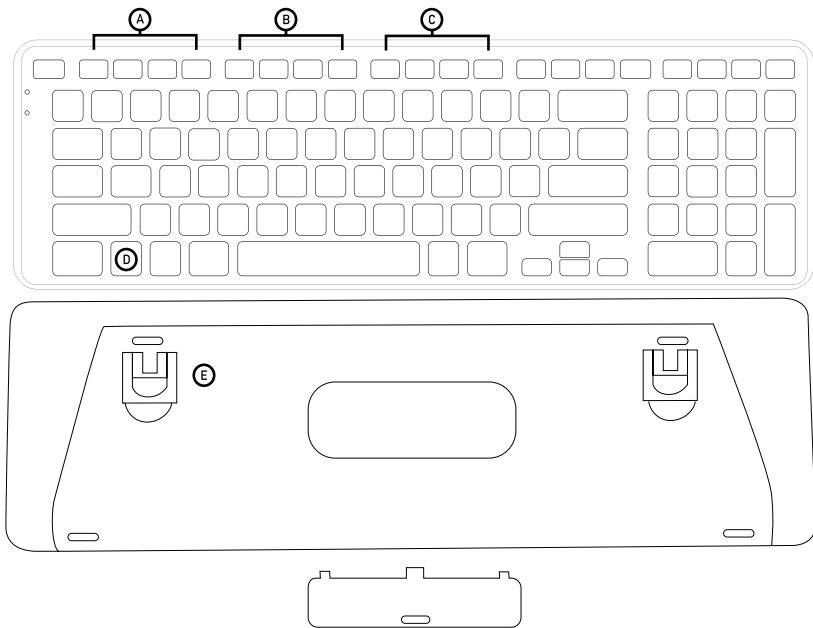
1. Balance Keyboard

Functions

- A. Media control
- B. Application functions
- C. Interface functions
- D. Fn key*
- E. Risers

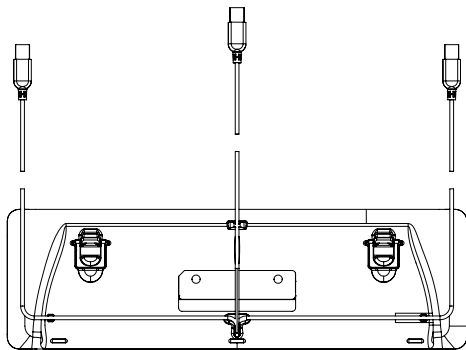
*The Fn key toggles between function (F1-F12) and media modes. By default, the media keys are active.

1



Connecting Device

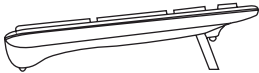
Connect your Balance Keyboard to your computer.



There are three options to route your USB cable so that you can determine the setup that best fits your workspace.

Keyboard Tilt

The adjustable legs on the Balance Keyboard have three tilt options (positive, neutral, and negative).



Positive



Neutral



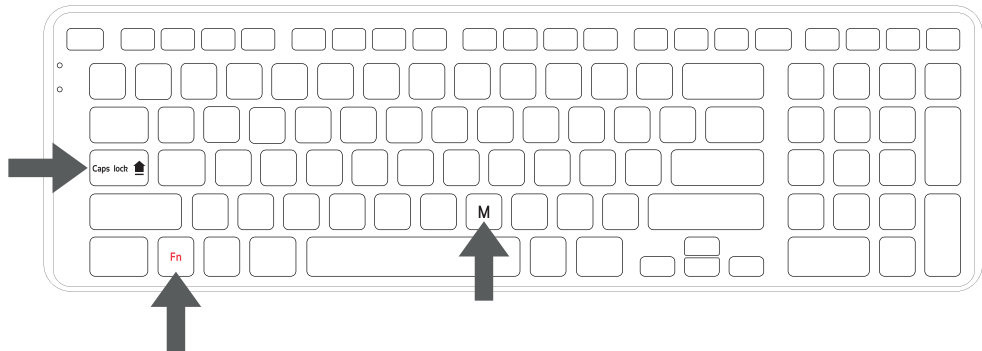
Negative

Mac Mode and PC Mode

By default, the Balance Keyboard is in PC mode.

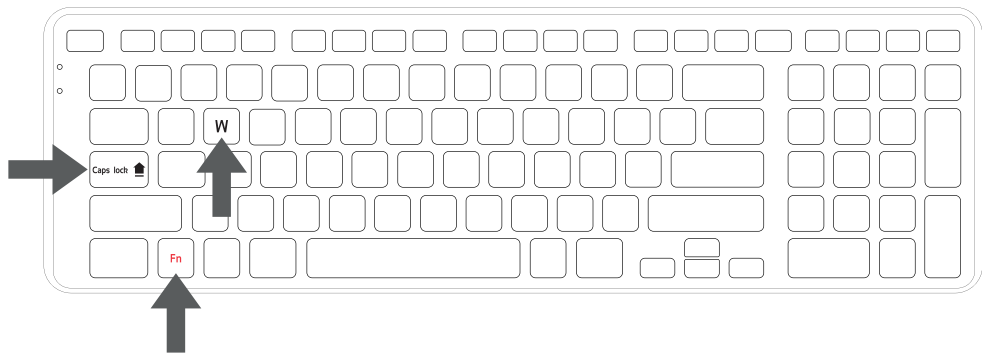
Mac Mode

For Mac mode hold Fn + Caps lock and press and release M key.



PC Mode

For PC mode hold Fn + Caps lock and press and release W key.





2-year Warranty

All Contour Design products come with a 2-year Warranty.



Product Support

For information on software drivers, product manuals, and advanced product settings such as thin client mode, please visit contourdesign.com/support



Sales Support

If you have questions about your recent purchase, email us:
United States: ergoinfo@contourdesign.com
All other countries: support@contour-design.com

Contour