

Hisense



HESCM15DBK

Instruction manual	GB
Gebrauchsanleitung	DE
Manuel d'instructions	FR
Manuale di istruzioni	IT
Manual de instrucciones	ES
Manual de instruções	PT
Brugsanvisning	DA
Bruksanvisning	NO
Bruksanvisning	SV
Käyttöopas	FI
Instrukcja obsługi	PL

GB	Instruction manual.....	2
DE	Bedienungsanleitung.....	9
FR	Notice d'utilisation.....	17
IT	Manuale di istruzioni	25
ES	Manual de instrucciones	33
PT	Manual de instruções	41 ..
DK	Brugsvejledning.....	49
NO	Bruksanvisning	57
SV	Bruksanvisning	65
FI	Käyttöopas	73
PL	Instrukcja obsługi	81

Important

Read this user manual carefully before you use the appliance and save it for future reference.

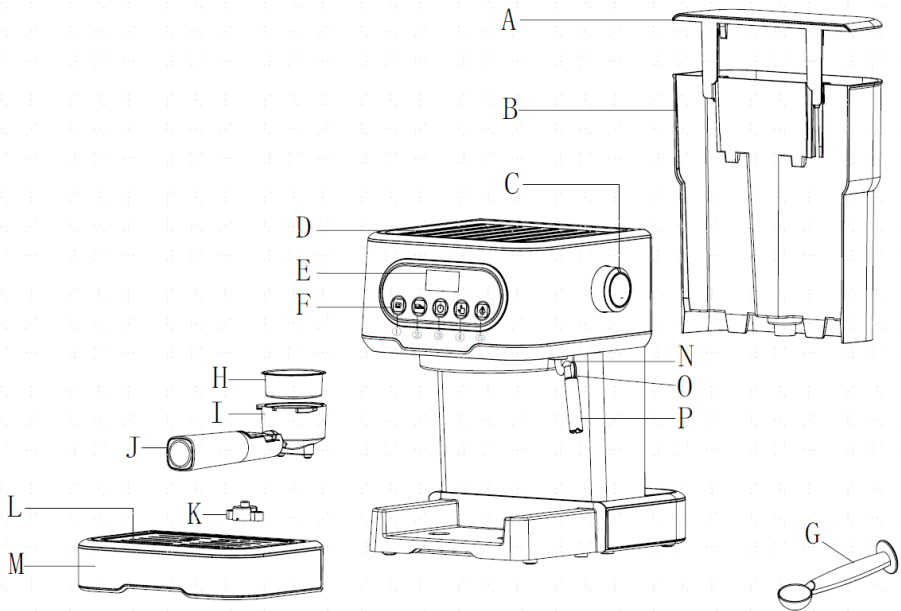
Safety Cautions

Before using the electrical appliance, basic precautions should always be followed, including the following:

1. Read all instructions.
2. Before using check that the voltage of your wall outlet corresponds to the rated voltage marked on the rating plate.
3. This appliance has been equipped with a grounded plug. Please ensure the wall outlet in your house is earthed appropriately.
4. To protect against fire, electric shock and injury to persons, do not immerse the cord or the plug in water or other liquid.
5. Remove the plug from the wall outlet before cleaning and when the appliance is not in use. Allow the appliance to cool down completely before removing or attaching components or before cleaning.
6. Do not operate any appliance with a damaged cord or plug. In case the appliance malfunctions or is dropped or damaged in any manner, return the appliance to the nearest authorized service facility for examination, repair or electrical or mechanical adjustment.
7. Using accessory attachments not recommended by the appliance manufacturer may result in fire, electric shock or injury to persons.
8. Place the appliance on a flat surface or a table, do not hang the power cord over the edge of a table or counter.
9. Make sure the power cord does not touch a hot surface of the appliance.
10. To avoid damage, do not place the coffee maker on a hot surface or beside a fire.
11. To disconnect, remove the plug from the wall outlet. When unplugging, always make sure to pull by the plug and not the cord.
12. Do not use the appliance for anything other than its intended use and place it in a dry environment.
13. Close supervision is necessary when your appliance is being used near children.
14. Be careful not to get burned by the steam.
15. Do not touch the hot surface of the appliance. Use the handle or knobs.
16. Do not let the coffee maker operate without water.
17. Do not remove the metal funnel when the appliance is brewing coffee or when releasing steam.
18. Connect the plug to a wall outlet before use and switch the appliance off before the plug is removed from the wall outlet.

19. This appliance can be used by children aged from 8 years and above and persons with reduced physical, sensory or mental capabilities or lack of experience and knowledge if they have been given supervision or instruction concerning the use of the appliance in a safe way and understand the hazards involved. Children should not play with the appliance. Cleaning and user maintenance should not be done by children unless they are older than 8 and supervised.
20. Children should be supervised to ensure that they do not play with the appliance.
21. Operating or storing environment temperature should be more than 0°C .
22. This appliance is intended to be used in households and similar environments such as:
- staff kitchen areas in shops, offices and other work environments;
 - farmhouses;
 - by clients in hotels, motels and other residential type environments;
 - bed and breakfast type environments.
23. Do not use outdoors.
24. Save these instructions.
25. If you will not use the product for a long time, you need to turn on the power and then release steam for 3 minutes before leaving the product.
26. If power is cut off during the release of steam, residual heat will make the product continue to release steam for a length of time. The product will stop releasing steam immediately once you turn off the steam knob.

Know your coffee maker



- A. Water tank cover
- B. Water tank
- C. Steam control knob
- D. Top cover
- E. Display
- F. Control panel (①1-cup coffee button②2-cup coffee button③Power button④Manual coffee button⑤Steam button)
- G. Measuring spoon
- H. Steel mesh

- I. Metal funnel
- J. Funnel handle
- K. Float cover
- L. Removable cup shelf
- M. Drip tray
- N. Steam conduit handle
- O. Steam wand
- P. Froth nozzle

Before the first use

To ensure the first cup of coffee tastes excellent, you should rinse the coffee maker with warm water as follows:

1. Open water tank cover, fill water into water tank, water level should not exceed the "MAX" mark in water tank. Then replace the water tank cover.
Note: the appliance is supplied with a detachable water tank for easy cleaning, you can fill water tank with water first, and then attach water tank into the appliance.
2. Set steel mesh into metal funnel (no coffee in steel mesh), make sure the tube on the funnel aligns with groove in the appliance, then insert the funnel into the appliance from the "INSERT" position, and fix them into coffee maker firmly by turning it anticlockwise until it is at the "LOCK" position.
3. Place an jug on removable cup shelf. Make sure steam control knob is on the OFF position.
4. Connect into power source, press power button, power indicator is illuminated white, The indicators of 1- cup coffee button, 2-cup coffee button, manual coffee button and steam button flash, the machine begins preheating, after all indicators are solidly on, the preheating is completed
Note: if preheating is not completed yet, press 1-cup coffee button, 2-cup coffee button or manual coffee button, the pump does not work; if you want to make steam, press the steam button.
5. Press Manual coffee button, the unit will pump water for about 30s, pour out water in the cup then clean them thoroughly, now the appliance is ready for making coffee.
Note: There may be noise when pumping water for the first time, it is normal that the appliance is releasing the air inside. After about 20s, the noise will disappear.
Note: Before the first use, the button indicator will flash quickly, which indicates an alarm, because there is no water in the boiler. Press the manual coffee button and hold it until the pump stops working and the alarm is deactivated. Then, the coffee brewing operation can be started.

Preheating

To make a cup of good hot Espresso coffee, we recommend you should preheat the appliance before making coffee, including metal funnel, steel mesh and cup, so that the coffee flavour can not be influenced by cold parts.

1. Remove detachable water tank and open water tank cover to fill it with desired water, the water level should not exceed the "MAX" mark in the tank. Then replace water tank
2. Set steel mesh into metal funnel, make sure the tube on the funnel aligns with groove in the appliance, then insert the funnel into the appliance from the "INSERT" position, and fix them into coffee maker firmly by turning it anticlockwise until it is at the "LOCK" position.
3. Place an espresso cup on removable cup shelf.
4. Then connect appliance to power supply. Make sure steam control knob is on the OFF position.
5. Press power button, power indicator is illuminated white, The indicators of 1- cup coffee button, 2-cup coffee button and manual coffee button flash, the machine begins preheating, after all indicators are solidly on, it means that preheating is completed, press Manual coffee button, the machine pumps water, when there is water flowing out, press this coffee button again to stop pumping water immediately. The purpose of this step is to pump the water of water tank into boiler.
6. When coffee button indicator is illuminated, it indicates the preheating is finished

Make espresso

1. Remove funnel by turning it clockwise. Add ground coffee into steel mesh with measuring spoon, a spoon of ground coffee powder can make about a cup of top-grade coffee, then press ground coffee powder tightly with the tamper.

2. Set steel mesh into metal funnel, make sure the tube on the funnel aligns with groove in the appliance, then insert the funnel into the appliance from the "INSERT" position, and fix them into coffee maker firmly by turning it anticlockwise until it is at the "LOCK" position.
3. Place a cup on removable cup shelf.
4. After preheating is completed, press 1-cup or 2-cup coffee button, the product will start brewing, working time for 1-cup coffee is 15 seconds and 25 seconds for 2-cup coffee . if you want to get the amount of coffee you like, press manual coffee button once, when your desired quantity of coffee is reached, press this button again to stop, for manual coffee button, working time is Max 90s, unit will automatically stop working if no any operation within 90s.
5. At the time corresponding coffee button indicator is to be illuminated, if it is extinguished, wait for a moment, once it is illuminated again, press corresponding coffee button, wait for a moment, there will be coffee flowing out.
6. Press Coffee button when desired coffee is obtained or the colour of coffee changes weak obviously, coffee maker stops working, if coffee button indicator is extinguished, wait for a moment, coffee button indicator will be illuminated again, you can continue to make coffee.
7. Press and hold 1-cup button for 3 seconds, 1-cup button flashes, entering setting mode, press 1-cup button again to start dispensing coffee, when the specified time is reached, press 1 cup button to complete setting which can be memorized by the unit. Working duration for 1-cup coffee can be set up to 45s, if working duration for 1-cup coffee is set, working duration for 2-cup coffee will be automatically updated to 2 times of that for 1-cup coffee ; Working duration for 2-cup coffee can be set up to 90s, if working duration for 2cup coffee is set, working duration for 1-cup coffee will be automatically updated to half of that for 2-cup coffee
WARNING: Do not leave the coffee maker unattended during making coffee, as you need operate manually sometimes!
8. After finish making coffee, take metal funnel out by turning it clockwise, then pour coffee residue out with steel mesh pressed by press bar.
9. Let them cool down completely, then rinse under running water.

Making hot water

When the product is preheated, turn the steam knob to release hot water and press the manual coffee button to start the preparing hot water. Press the manual coffee button again and close the steam knob to finish preparing the hot water.

Make cappuccino/frothed milk

You get a cup of cappuccino when you top up a cup of espresso with frothed milk.

Method:

1. Prepare espresso first with container big enough according to the part "MAKE ESPRESSO", make sure that steam control knob is at the OFF position.
2. Press Steam button, Coffee button indicator will be extinguished, wait until Steam button indicator is illuminated.
Note: During operation, Steam button indicator will cycle on and off to maintain desired temperature.
3. Fill a jug with about 100 ml of milk for each cappuccino to be prepared, you are recommended to use whole milk at refrigerator temperature (not hot!).
Note: In choosing the size of jug, it is recommended the diameter is not less than 70±5mm, and bear in mind that the milk increases in volume by 2 times, make sure the height of jug is enough.
4. Turn steam control knob slowly anti-clockwise, steam will come out from frothing nozzle
Note: Never turn steam control button rapidly, as the steam will accumulate rapidly within short time which may increase a potential risk of explosion.
5. Insert frothing nozzle into the milk about two centimetre, froth milk in the way of moving vessel round up and down.
6. When the required result is reached, turn steam control knob to OFF position.
Note: Clean steam outlet with wet sponge immediately after steam stops producing, but care not to hurt!

7. Pour the frothed milk into the espresso prepared, now the cappuccino is ready. Sweeten to taste and if desired, sprinkle the froth with a little cocoa powder.
8. Press Power button to cut off power. All indicators will be extinguished.
9. When the steam function is operated for more than 180 seconds in a single continuous operation, the steam indicator flashes quickly for alarming, in this case, press coffee button to cool down, and the machine can resume standby after cooling down to normal temperature.
Note: If you want to make coffee immediately after making steam, coffee indicator will flash for alarming upon pressing coffee button, at this time you should turn steam control knob to the ON position to pump hot water in order to let unit cool down.

Automatic power off function

If there is no any operation within 25 minutes, the unit will power off automatically.

Cleaning and maintenance:

1. Turn off coffee maker and let the coffee maker cool down completely before cleaning.
2. Clean housing of coffee maker with moisture-proof sponge often and clean water tank, drip tray and removable cup shelf regularly then dry them.
Note: Do not clean with alcohol or solvent cleanser. Never immerse the housing in water for cleaning.
3. Detach metal funnel by turning it clockwise, get rid of coffee residue inside, then clean it with cleanser, but at last rinse with clear water.
4. Clean all the attachments in the water and dry them thoroughly.
5. After the machine works for 500 cycles (including coffee, steam and other functions), all the indicators quickly flash 5 times at the same time once preheating is completed, reminding you of descaling, if you do not descale, this will happen every time when you use the machine; in standby state, at the same time press and hold Manual coffee button and 2-cup coffee button for 3s, and the two indicators quickly flash 3 times, reminding you of cancelling descaling, and the number of working cycles returns to zero.

Cleaning mineral deposits

1. To make sure your coffee maker operates efficiently, internal piping is clean and the flavor of coffee is optimal, you should clean away the mineral deposits left every 2-3 months.
2. Fill water tank with water and descaler to the MAX level (the proportion of water and descaler is 4:1, the detail refers to the instruction of descaler. Please use "household descaler", you can use the citric acid (obtainable from chemist's or drug stores) instead of the descaler (the one hundred parts of water and three parts of citric acid).
3. According to the preheating program, put the metal funnel (without coffee powder in it) and jug in place. Brew water as per "PREHEATING".
4. Press Power button, power indicator will be illuminated, press Coffee button, make sure steam control knob is in the Off position, when there is water flowing out, press Coffee button to stop pumping, and wait for a moment, the coffee maker begins to preheat
5. When Coffee button indicator is illuminated, it shows preheating is finished. Press Coffee button and make two cups of coffee (about 2Oz). press Coffee button to stop pumping.
6. Press Steam button, Coffee button indicator will be extinguished, wait until Steam button indicator is illuminated. Make steam for 2min by turning steam control knob, then turn steam control knob to the OFF position to stop making steam. Press Power button to turn off the unit immediately, make the descaler deposit inside the unit at least 15 minutes.
7. Press Power button to restart unit, wait until Coffee button indicator will be illuminated, then press Coffee button to brew until no descaler is left.
9. Brew with tap water in the MAX level, repeat steps 4-6 for 3 times, then brew until no water is left in water tank.

Trouble shooting

Symptom	Cause	Corrections
The metal parts in the tank have rust.	Descaler is not recommended type. It may corrode the metal parts in the tank.	Use the descaler recommended by manufacturer.
Water leaks from the bottom of coffee maker	There is much water in the drip tray.	Please clean the drip tray.
	The coffee maker is malfunction.	Please contact with the authorized service facility for repairing.
Water leaks out of outer side of filter.	There is some coffee powder on filter edge.	Get rid of them.
Acid (vinegar) taste exists in Espresso coffee.	No clean correctly after cleaning mineral deposits.	Clean coffee maker per the content in "before the first use" for several times.
	Coffee powder is stored in a hot, wet place for a long time. The coffee powder turns bad.	Please use fresh coffee powder, or store unused coffee powder in a cool, dry place. After opening a package of coffee powder, reseal it tightly and store it in a refrigerator to maintain its freshness.
Coffee maker cannot work any more.	Power outlet is not plugged well.	Plug the power cord into a wall outlet correctly, if the appliance still does not work, please contact with the authorized service facility for repairing.
Steam cannot froth.	The steam indicator is not illuminated.	Only after the steam indicator is illuminated, the steam can be used to froth.
	The container is too big or the shape not fits.	Use high and narrow container.
	You have used skimmed milk	Use whole milk or half-skimmed milk

This equipment is labelled in compliance with the European Directive 2012/19/EC on waste electric and electronic equipment – WEEE. The Directive specifies the requirements for collection and management of waste electric and electronic equipment effective in the entire European Union.

ENVIRONMENT

At the end of the appliance's useful life, do not discard it with common household waste. Take it to an authorized recycling centre. This will help preserve the environment.

WARRANTY AND REPAIR

For more information or in case of problems, please contact the Gorenje Call Centre in your country (phone number listed in the International Warranty Sheet). If there is no such centre in your country, please contact the local Gorenje dealer or Gorenje's small domestic appliance department.

For personal use only!

HISENSE

WISHES YOU A LOT OF PLEASURE IN USING YOUR APPLIANCE.

Wichtig

Lesen Sie dieses Benutzerhandbuch sorgfältig durch, bevor Sie das Gerät verwenden, und bewahren Sie es für zukünftige Referenzzwecke auf.

Sicherheitshinweise

Vor der Verwendung von elektrischen Geräten sollten immer grundlegende Sicherheitsvorkehrungen einschließlich der folgenden beachtet werden:

1. Lesen Sie alle Anweisungen.
2. Vergewissern Sie sich vor der Benutzung, dass die Spannung Ihrer Steckdose mit der auf dem Typenschild angegebenen Nennspannung übereinstimmt.
3. Dieses Gerät ist mit einem geerdeten Stecker ausgestattet. Bitte stellen Sie sicher, dass die Steckdose in Ihrem Haus gut geerdet ist.
4. Zum Schutz vor elektrischen Schlägen, Bränden oder Personenschäden tauchen Sie das Kabel oder den Stecker weder in Wasser noch in eine andere Flüssigkeit.
5. Entfernen Sie den Stecker aus der Steckdose, bevor Sie das Gerät reinigen und wenn es nicht verwendet wird. Lassen Sie das Gerät vollständig abkühlen, bevor Sie Komponenten entfernen oder anbringen oder bevor Sie es reinigen.
6. Betreiben Sie niemals ein Gerät, dessen Kabel oder Stecker beschädigt ist. Falls das Gerät eine Fehlfunktion aufweist oder auf irgendeine Weise herunterfällt oder beschädigt wird, senden Sie es zur Untersuchung, Reparatur oder elektrischen oder mechanischen Einstellung an die nächstgelegene autorisierte Serviceeinrichtung.
7. Die Verwendung von Zubehör, das vom Hersteller nicht empfohlen wurde, kann zu Bränden, elektrischen Schlägen oder Personenschäden führen.
8. Stellen Sie das Gerät auf eine ebene Fläche oder einen ebenen Tisch. Lassen Sie das Netzkabel nicht über die Tisch- oder Tresenkante herunterhängen.
9. Stellen Sie sicher, dass das Netzkabel keine heiße Oberfläche des Geräts berührt.
10. Um Schäden zu vermeiden, stellen Sie die Kaffeemaschine nicht auf eine heiße Oberfläche oder neben ein Feuer.
11. Um das Gerät vom Netz zu trennen, ziehen Sie den Stecker aus der Steckdose. Achten Sie beim Herausziehen immer darauf, am Stecker und nicht am Kabel zu ziehen.
12. Verwenden Sie das Gerät nur für den vorgesehenen Zweck und stellen Sie es in eine trockene Umgebung.
13. Sorgfältige Aufsicht ist notwendig, wenn Ihr Gerät in der Nähe von Kindern benutzt wird.
14. Achten Sie darauf, dass Sie sich nicht vom Dampf verbrennen.
15. Berühren Sie nicht die heiße Oberfläche des Geräts. Verwenden Sie den Griff oder die Knöpfe.
16. Betreiben Sie die Kaffeemaschine nie ohne Wasser.
17. Entfernen Sie den Metalltrichter nicht, wenn das Gerät Kaffee kocht oder wenn Dampf freigesetzt wird.

18. Schließen Sie den Stecker vor dem Gebrauch an eine Steckdose an und schalten Sie das Gerät aus, bevor Sie den Stecker aus der Steckdose ziehen.

19. Dieses Gerät kann von Kindern ab 8 Jahren sowie von Personen mit reduzierten physischen, sensorischen oder mentalen Fähigkeiten oder Mangel an Erfahrung und Wissen benutzt werden, wenn sie beaufsichtigt oder bezüglich des sicheren Gebrauchs des Gerätes unterwiesen wurden und sie die daraus resultierenden Gefahren verstanden haben. Kinder sollten nicht mit dem Gerät spielen. Die Reinigung und Wartung durch den Benutzer darf nicht von Kindern durchgeführt werden, außer sie sind älter als 8 Jahre und werden beaufsichtigt.

20. Kinder sollten beaufsichtigt werden, um sicherzustellen, dass sie nicht mit dem Gerät spielen.

21. Die Umgebungstemperatur für Betrieb oder Lagerung sollte mehr als 0 °C betragen.

22. Dieses Gerät ist für den Einsatz in Haushalten und ähnlichen Umgebungen vorgesehen, z. B.:

- Mitarbeiterküchen in Geschäften, Büros und anderen Arbeitsumgebungen;
- Bauernhäuser;
- durch Kunden in Hotels, Motels und anderen Wohnumgebungen;
- Bereiche, in denen Zimmer mit Frühstück angeboten werden.

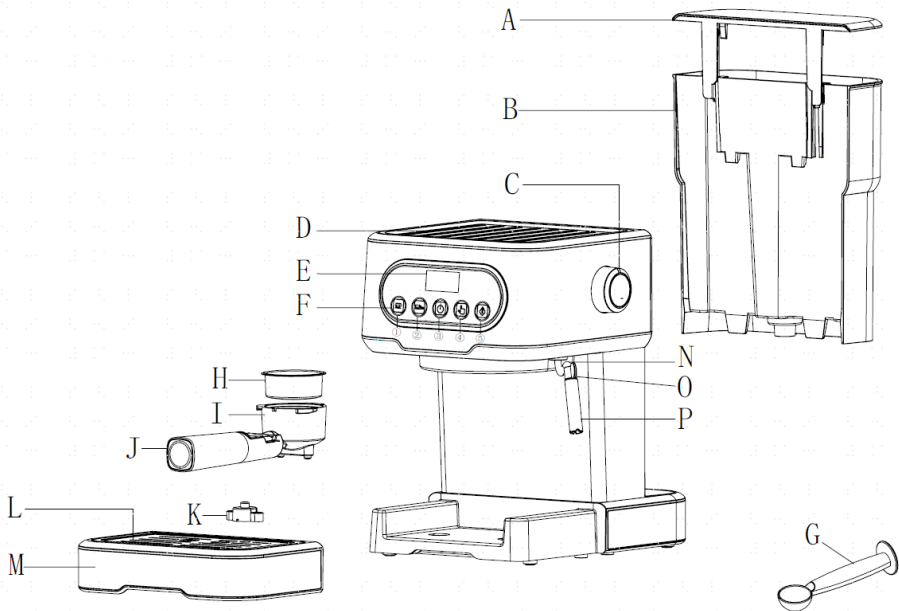
23. Nicht im Freien verwenden.

24. Bewahren sie diese Anweisungen.

25. Wenn Sie das Produkt längere Zeit nicht verwenden, müssen Sie den Strom einschalten und dann 3 Minuten lang Dampf ablassen, bevor Sie das Produkt verlassen.

26. Wenn die Stromversorgung während der Dampffreisetzung unterbrochen wird, setzt das Produkt durch Restwärme über einen längeren Zeitraum Dampf frei. Das Gerät hört sofort auf, Dampf abzugeben, wenn Sie den Dampfknopf ausschalten.

Lernen sie Ihre Kaffeemaschine kennen.



A. Wassertankabdeckung

B. Wassertank

C. Dampfregler

D. Obere Abdeckung

E. Anzeige

F. Bedienfeld (①1-Tasse-Kaffeetaste②2-

Tasse-Kaffeetaste③Ein-Aus-Taste④Manuelle
Kaffeetaste⑤Dampf-Taste)

G. Messlöffel

H. Stahlgitter

I. Metalltrichter

J. Trichtergriff

K. Schwimmer-Abdeckung

L. Abnehmbare Tassenabstellfläche

M. Abtropfschale Schaumdüse

N. Dampfleitungsgriff

O. Dampfstab

P. Schaumdüse

Vor der ersten Verwendung

Damit die erste Tasse Kaffee hervorragend schmeckt, sollten Sie die Kaffeemaschine wie folgt mit warmem Wasser ausspülen:

1. Öffnen Sie die Abdeckung des Wassertanks, füllen Sie Wasser in den Wassertank. Der Wasserstand sollte die Markierung „MAX“ im Wassertank nicht überschreiten. Setzen Sie dann den Wassertankdeckel wieder auf.

Hinweis: Das Gerät wird mit einem abnehmbaren Wassertank geliefert, um die Reinigung zu erleichtern. Sie können den Wassertank zuerst mit Wasser füllen und dann in das Gerät einsetzen.

2. Setzen Sie das Stahlsieb in den Metalltrichter ein (kein Kaffee im Stahlsieb). Stellen Sie sicher, dass das Rohr des Trichters mit der Nut im Gerät übereinstimmt. Setzen Sie den Trichter in der Position „INSERT“ in das Gerät ein und befestigen Sie ihn fest in der Kaffeemaschine, indem Sie ihn gegen den Uhrzeigersinn drehen, bis er sich in der Position „LOCK“ befindet.
3. Stellen Sie eine Kanne auf die abnehmbare Tassenabstellfläche. Stellen Sie sicher, dass der Dampfregler auf OFF steht.
4. Schließen Sie das Gerät an die Stromquelle an, drücken Sie die Ein-/Aus-Taste, die Betriebsanzeige leuchtet weiß. Die Anzeigen der 1-Tasse-Kaffeetaste, der 2-Tassen-Kaffeetaste, der manuellen Kaffeetaste und der Dampftaste blinken. Die Maschine beginnt mit dem Vorheizen. Nachdem alle Anzeigen dauernd leuchten, ist das Vorheizen abgeschlossen.
Hinweis: Wenn das Vorheizen noch nicht abgeschlossen ist, drücken Sie die 1-Tasse-Kaffeetaste, die 2-Tassen-Kaffeetaste oder die manuelle Kaffeetaste, die Pumpe funktioniert nicht; wenn Sie Dampf erzeugen wollen, drücken Sie die Dampftaste.
5. Drücken Sie die manuelle Kaffeetaste. Das Gerät pumpt etwa 30 Sekunden lang Wasser, gießt Wasser in die Tasse und reinigt sie gründlich. Jetzt ist das Gerät für die Kaffeezubereitung bereit.
Hinweis: Beim ersten Pumpen von Wasser kann es zu Geräuschen kommen. Es ist normal, dass das Gerät die Luft im Inneren abgibt. Nach ca. 20 s verschwindet das Geräusch.
Hinweis: Vor dem ersten Gebrauch blinkt die Tastenanzeige schnell, was einen Alarm anzeigt, da sich kein Wasser im Kessel befindet. Drücken Sie die manuelle Kaffeetaste und halten Sie sie gedrückt, bis die Pumpe nicht mehr funktioniert und der Alarm deaktiviert ist. Dann kann der Kaffeebrühvorgang gestartet werden.

Vorheizen

Um eine Tasse guten heißen Espresso-Kaffee zuzubereiten, empfehlen wir, das Gerät vor dem Zubereiten des Kaffees vorzuheizen, einschließlich Metalltrichter, Stahlsieb und Tasse. So kann der Kaffeegeschmack nicht durch kalte Teile beeinflusst werden.

1. Entfernen Sie den abnehmbaren Wassertank und öffnen Sie die Wassertankabdeckung, um ihn mit dem gewünschten Wasser zu füllen. Der Wasserstand sollte die Markierung „MAX“ im Tank nicht überschreiten. Ersetzen Sie dann den Wassertank.
2. Setzen Sie das Stahlsieb in den Metalltrichter ein. Stellen Sie sicher, dass das Rohr am Trichter mit der Nut im Gerät übereinstimmt und setzen Sie den Trichter aus der Position „INSERT“ in das Gerät ein. Befestigen Sie die Teile gut durch Drehen gegen den Uhrzeigersinn in der Kaffeemaschine, bis zur Position „LOCK“.
3. Stellen Sie eine Espressotasse auf die abnehmbare Tassenabstellfläche.
4. Schließen Sie dann das Gerät an die Stromversorgung an. Stellen Sie sicher, dass der Dampfregler auf OFF steht.
5. Drücken Sie die Ein-/Aus-Taste, die Betriebsanzeige leuchtet weiß. Die Anzeigen der 1-Tasse-Kaffeetaste, der 2-Tassen-Kaffeetaste und der manuellen Kaffeetaste blinken. Die Maschine beginnt mit dem Vorheizen. Nachdem alle Anzeigen dauerhaft leuchten, ist das Vorheizen abgeschlossen. Drücken Sie die manuelle Kaffeetaste. Die Maschine pumpt Wasser. Wenn Wasser abfließt, drücken Sie diese Kaffeetaste erneut, um das Wasserpumpen sofort zu beenden. Dieser Schritt dient dazu, das Wasser aus dem Wassertank in den Kessel zu pumpen.
6. Wenn die Kaffeetastenanzeige leuchtet, zeigt dies an, dass das Vorheizen beendet ist.

Espresso zubereiten

1. Entfernen Sie den Trichter, indem Sie ihn im Uhrzeigersinn drehen. Gemahlene Kaffeebohnen mit einem Messlöffel in das Stahlsieb geben. Ein Löffel gemahlene Kaffeebohnen ergibt etwa eine Tasse Spitzenkaffee. Dann das gemahlene Kaffeepulver mit dem Tamper fest andrücken.
2. Setzen Sie das Stahlsieb in den Metalltrichter ein. Stellen Sie sicher, dass das Rohr am Trichter mit der Nut im Gerät übereinstimmt und setzen Sie den Trichter aus der Position „INSERT“ in das Gerät

ein. Befestigen Sie die Teile gut durch Drehen gegen den Uhrzeigersinn in der Kaffeemaschine, bis zur Position „LOCK“.

3. Stellen Sie eine Tasse auf die abnehmbare Tassenabstellfläche.
4. Nach dem Vorheizen drücken Sie die 1-Tasse- oder 2-Tassen-Kaffee-Taste. Das Gerät beginnt mit dem Brühen, die Zubereitungszeit für 1 Tasse Kaffee beträgt 15 Sekunden und 25 Sekunden für 2 Tassen Kaffee. Um die gewünschte Kaffeemenge zu erhalten, drücken Sie die manuelle Kaffeetaste einmal. Wenn die gewünschte Kaffeemenge erreicht ist, drücken Sie diese Schaltfläche erneut, um zu stoppen. Für die manuelle Kaffeetaste beträgt die Arbeitszeit maximal 90 Sekunden. Das Gerät schaltet sich automatisch ab, wenn innerhalb von 90 Sekunden keine Taste gedrückt wird.
5. Die entsprechende Kaffeetastenanzeige soll dann aufleuchten. Warten Sie einen Moment, wenn sie erlischt. Sobald sie wieder aufleuchtet, drücken Sie die entsprechende Kaffeetaste. Warten Sie einen Moment und der Kaffee beginnt zu rinnen.
6. Drücken Sie die Kaffeetaste, wenn Sie den gewünschten Kaffee erhalten haben oder die Farbe des Kaffees sich offensichtlich verändert. Dann hört die Kaffeemaschine auf zu arbeiten. Wenn die Anzeige der Kaffeetaste erlischt, warten Sie einen Moment. Dann leuchtet die Anzeige der Kaffeetaste wieder auf und Sie können mit der Kaffeezubereitung fortfahren.
7. Die 1-Tasse-Taste 3 Sekunden lang gedrückt halten. Die 1-Tasse-Taste blinkt. Im Einstellmodus die 1-Tasse-Taste erneut drücken, um die Kaffeeausgabe zu starten. Wenn die angegebene Zeit erreicht ist, die 1-Tasse-Taste drücken um die Einstellung abzuschließen, die vom Gerät gespeichert werden kann. Die Arbeitsdauer für 1 Tasse Kaffee kann auf 45 Sekunden eingestellt werden. Wenn die Arbeitsdauer für 1 Tasse Kaffee eingestellt ist, wird die Arbeitsdauer für 2 Tassen Kaffee automatisch auf das Zweifache der Arbeitsdauer für 1 Tasse Kaffee aktualisiert. Die Arbeitsdauer für 2 Tassen Kaffee kann auf bis zu 90 Sekunden eingestellt werden. Wenn die Arbeitsdauer für 2 Tassen Kaffee eingestellt ist, wird die Arbeitsdauer für 1 Tasse Kaffee automatisch auf die Hälfte der Dauer für 2 Tassen Kaffee aktualisiert.
WARNUNG: Lassen Sie die Kaffeemaschine während der Kaffeezubereitung nicht unbeaufsichtigt, da Sie sie manchmal manuell bedienen müssen!
8. Nach Beendigung der Kaffeezubereitung den Metalltrichter durch Drehen im Uhrzeigersinn herausnehmen und die Kaffeereste mit dem durch den Pressbalken gepressten Stahlsieb ausgießen.
9. Lassen Sie sie vollständig abkühlen und spülen Sie sie dann unter fließendem Wasser ab.

Heißes Wasser zubereiten

Wenn das Produkt vorgewärmt ist, drehen Sie den Dampfknopf, um heißes Wasser freizugeben. Drücken Sie die manuelle Kaffeetaste, um die Zubereitung von heißem Wasser zu starten. Drücken Sie die manuelle Kaffeetaste erneut und schließen Sie den Dampfknopf, um die Zubereitung des heißen Wassers abzuschließen.

Cappuccino/Milchschaum zubereiten

Sie bekommen eine Tasse Cappuccino, wenn Sie eine Tasse Espresso mit Milchschaum auffüllen.
Zubereitung:

1. Bereiten Sie zuerst einen Espresso mit einem Behälter vor, der entsprechend dem Abschnitt „ESPRESSO MACHEN“ groß genug ist. Stellen Sie sicher, dass sich der Dampfregler in der Position AUS befindet.
2. Drücken Sie die Dampftaste. Die Anzeige der Taste Coffee erlischt. Warten Sie, bis die Anzeige der Dampftaste aufleuchtet.
Hinweis: Während des Betriebs schaltet sich die Anzeige der Dampftaste ein und aus, um die gewünschte Temperatur aufrechtzuerhalten.
3. Füllen Sie einen Krug mit ca. 100 ml Milch für jeden Cappuccino, den Sie zubereiten möchten. Es wird empfohlen, Vollmilch bei Kühlschranktemperatur zu verwenden (nicht heiß!).
Hinweis: Bei der Auswahl der Kruggröße wird empfohlen, dass der Durchmesser nicht weniger als 70 ± 5 mm beträgt. Beachten Sie, dass das Volumen der Milch um das Zweifache zunimmt. Stellen Sie sicher, dass die Höhe des Kruges ausreicht.

4. Drehen Sie den Dampfgregler langsam gegen den Uhrzeigersinn. Aus der Schaumdüse tritt Dampf aus.
Hinweis: Drehen Sie die Dampfgreglertaste niemals schnell, da sich der Dampf innerhalb kurzer Zeit schnell ansammelt, was die Explosionsgefahr erhöhen kann.
5. Setzen Sie die Schaumdüse etwa zwei Zentimeter in die Milch ein und schäumen Sie die Milch auf, indem Sie das Gefäß auf und ab bewegen.
6. Wenn das gewünschte Ergebnis erreicht ist, drehen Sie den Dampfgregler auf OFF.
Hinweis: Reinigen Sie den Dampfauslass sofort nach Beendigung der Dampfproduktion mit einem feuchten Schwamm. Achten Sie jedoch darauf, dass Sie sich nicht verletzen!
7. Gießen Sie die aufgeschäumte Milch in den zubereiteten Espresso, jetzt ist der Cappuccino fertig. Nach Belieben süßen und, falls gewünscht, den Schaum mit etwas Kakaopulver bestreuen.
8. Drücken Sie die Ein-/Aus-Taste, um die Stromversorgung zu unterbrechen. Alle Anzeigen werden gelöscht.
9. Wenn die Dampffunktion länger als 180 Sekunden in einem einzigen Dauerbetrieb betrieben wird, blinkt die Dampfanzeige schnell, um einen Alarm auszulösen. Drücken Sie in diesem Fall die Kaffeetaste, um das Gerät abzukühlen, und die Maschine kann nach dem Abkühlen auf normale Temperatur wieder in den Standby-Modus wechseln.
Hinweis: Wenn Sie sofort nach der Dampfzubereitung Kaffee zubereiten möchten, blinkt die Kaffeeanzeige nach dem Drücken der Taste für die Kaffe Zubereitung. Nun sollten Sie den Dampfgregler auf ON stellen, um heißes Wasser zu pumpen und das Gerät abkühlen zu lassen.

Automatische Ausschaltfunktion

Wenn innerhalb von 25 Minuten keine Operation ausgeführt wird, schaltet sich das Gerät automatisch aus.

Reinigung und Wartung:

1. Schalten Sie die Kaffeemaschine aus und lassen Sie die Kaffeemaschine vor dem Reinigen vollständig abkühlen.
2. Reinigen Sie oft das Gehäuse der Kaffeemaschine mit einem feuchten Schwamm und reinigen Sie regelmäßig den Wassertank, die Tropfschale und die herausnehmbare Tassenabstellfläche und lassen Sie sie trocknen.
Hinweis: Nicht mit Alkohol oder Lösungsmittel reinigen. Tauchen Sie das Gehäuse zum Reinigen niemals in Wasser.
3. Nehmen Sie den Metalltrichter ab, indem Sie ihn im Uhrzeigersinn drehen, entfernen Sie die Kaffeereste im Inneren und reinigen Sie ihn mit einem Reinigungsmittel. Spülen Sie ihn schließlich mit klarem Wasser ab.
4. Reinigen Sie alle Aufsätze im Wasser und trocknen Sie sie gründlich ab.
5. Nachdem die Maschine 500 Zyklen lang gearbeitet hat (einschließlich Kaffee, Dampf und anderer Funktionen), blinken alle Anzeigen nach Abschluss des Vorheizens fünfmal gleichzeitig und erinnern Sie an das Entkalken. Wenn Sie nicht entkalken, geschieht dies jedes Mal, wenn Sie die Maschine benutzen. Halten Sie im Standby-Zustand gleichzeitig die manuelle Kaffeetaste und die 2-Tassen-Kaffeetaste 3 Sekunden lang gedrückt. Die beiden Anzeigen blinken schnell dreimal, um Sie daran zu erinnern, dass die Entkalkung abgebrochen wird. Die Anzahl der Arbeitszyklen kehrt auf Null zurück.

Reinigung von Mineralablagerungen

1. Um sicherzustellen, dass Ihre Kaffeemaschine effizient arbeitet, die inneren Rohrleitungen sauber sind und der Geschmack des Kaffees optimal ist, sollten Sie alle 2–3 Monate die verbleibenden Mineralablagerungen entfernen.
2. Füllen Sie den Wassertank mit Wasser und Entkalker bis zum MAX-Füllstand auf (das Verhältnis von Wasser und Entkalker ist 4:1, die Einzelheiten entnehmen Sie bitte der Anleitung des Entkalkers.)

- Bitte verwenden Sie einen „Haushaltsentkalker“. Sie können Zitronensäure (erhältlich in Apotheken oder Drogerien) anstelle des Entkalkers (100 Teile Wasser und 3 Teile Zitronensäure) verwenden.
3. Setzen Sie gemäß dem Vorheizprogramm den Metalltrichter (ohne Kaffeepulver) und den Krug ein. Kochen Sie Wasser gemäß „VORHEIZEN“.
 4. Drücken Sie die Ein-/Aus-Taste, die Betriebsanzeige leuchtet auf. Drücken Sie die Kaffee-Taste. Stellen Sie sicher, dass sich der Dampfregler in der Aus-Position befindet. Wenn Wasser austritt, drücken Sie die Kaffeetaste, um das Pumpen zu stoppen, und warten Sie einen Moment, bis die Kaffeemaschine beginnt vorzuheizen.
 5. Wenn die Kaffeetastenanzeige leuchtet, wird angezeigt, dass das Vorheizen beendet ist. Drücken Sie die Kaffeetaste und machen Sie zwei Tassen Kaffee (ca. 60 ml). Drücken Sie die Kaffeetaste, um das Pumpen zu stoppen.
 6. Drücken Sie die Dampftaste. Die Anzeige der Kaffeetaste erlischt. Warten Sie, bis die Anzeige der Dampftaste leuchtet. Erzeugen Sie 2 Minuten lang Dampf, indem Sie den Dampfregler drehen. Drehen Sie dann den Dampfregler auf OFF, um die Dampferzeugung zu beenden. Drücken Sie die Taste „Power“, um das Gerät sofort auszuschalten, und lassen Sie den Entkalker mindestens 15 Minuten lang im Gerät einwirken.
 7. Drücken Sie die Power-Taste, um das Gerät neu zu starten. Warten Sie, bis die Anzeige der Kaffeetaste aufleuchtet, und drücken Sie dann die Taste Kaffee, um zu brühen, bis kein Entkalker mehr vorhanden ist.
 9. Brühen Sie mit Leitungswasser in der MAX-Stufe, wiederholen Sie die Schritte 4–6 dreimal und brühen Sie dann, bis kein Wasser mehr im Wassertank ist.

Fehlerbehebung

Problem	Ursache	Korrekturen
Die Metallteile im Tank rosten.	Entkalker ist nicht geeignet. Die Metallteile im Tank können dadurch korrodieren.	Verwenden Sie den vom Hersteller empfohlenen Entkalker.
Wasser tritt am Boden der Kaffeemaschine aus.	In der Tropfschale befindet sich viel Wasser.	Bitte entleeren Sie die Tropfschale.
	Die Kaffeemaschine ist defekt.	Bitte kontaktieren Sie einen autorisierten Kundenservice zur Reparatur.
Wasser tritt aus der Außenseite des Filters aus.	Am Filterrand befindet sich etwas Kaffeepulver.	Entfernen Sie es.
Der Espresso-Kaffee schmeckt sauer (nach Essig).	Nach dem Reinigen von Mineralablagerungen wurde die Maschine nicht richtig gereinigt.	Reinigen Sie die Kaffeemaschine mehrmals laut Abschnitt „Vor dem ersten Gebrauch“.
	Kaffeepulver wird lange an einem heißen, feuchten Ort gelagert. Das Kaffeepulver wird schlecht.	Bitte verwenden Sie frisches Kaffeepulver oder lagern Sie nicht verwendetes Kaffeepulver an einem kühlen, trockenen Ort. Nach dem Öffnen einer Packung mit Kaffeepulver verschließen Sie sie wieder und lagern sie in einem Kühlschrank, um seine Frische zu bewahren.
Kaffeemaschine funktioniert nicht mehr.	Der Stecker ist nicht richtig in die Steckdose eingesetzt.	Stecken Sie das Netzkabel richtig in eine Steckdose. Wenn das Gerät immer noch nicht funktioniert, wenden Sie sich zur Reparatur an die autorisierte Serviceeinrichtung.

Der Dampf bringt die Milch nicht zum Schäumen.	Die Dampfanzeige leuchtet nicht.	Erst wenn die Dampfanzeige leuchtet, kann der Dampf zum Aufschäumen verwendet werden.
	Der Behälter ist zu groß oder die Form passt nicht.	Verwenden Sie einen hohen und einen schmalen Behälter.
	Sie haben Magermilch verwendet	Verwenden Sie Vollmilch oder teilentrahmte Milch.

Dieses Gerät ist in Übereinstimmung mit der europäischen Richtlinie 2012/19/EU über Elektro- und Elektronik-Altgeräte – WEEE gekennzeichnet. Die Richtlinie legt die Anforderungen für die Sammlung und Entsorgung von Elektro- und Elektronikaltgeräten fest, die in der gesamten Europäischen Union gelten.

UMWELT

Entsorgen Sie das Gerät am Ende der Nutzungsdauer nicht mit dem Hausmüll. Bringen Sie es zu einem zugelassenen Recyclingzentrum. Dies hilft, die Umwelt zu schonen.

GARANTIE UND REPARATUR

Für weitere Informationen oder bei Problemen wenden Sie sich bitte an das Gorenje-Kundenservicezentrum in Ihrem Land (Telefonnummer im internationalen Garantieblatt angegeben). Wenn es in Ihrem Land kein solches Zentrum gibt, wenden Sie sich bitte an den örtlichen Gorenje-Händler oder an die Abteilung für kleine Haushaltsgeräte von Gorenje.

Nur für den persönlichen Gebrauch!

HISENSE

WÜNSCHT IHNEN VIEL VERGNÜGEN BEI DER VERWENDUNG IHRES GERÄTS.

Important

Avant d'utiliser l'appareil, lire attentivement ce manuel et le conserver pour pouvoir le consulter ultérieurement

Consignes de sécurité

Avant d'utiliser l'appareil électrique, il faut toujours respecter les précautions de base, notamment les suivantes :

1. Lire toutes les instructions.
2. Avant d'utiliser l'appareil, vérifier que la tension de votre prise murale correspond à la tension nominale indiquée sur la plaque signalétique.
3. Cet appareil est équipé d'une fiche avec mise à la terre. Vérifier que la prise murale de votre habitation est correctement mise à la terre.
4. Pour éviter tout risque d'incendie, d'électrocution et de blessure, ne pas plonger le cordon ou la fiche dans l'eau ou tout autre liquide.
5. Retirer la fiche de la prise murale avant le nettoyage et lorsque l'appareil n'est pas utilisé. Laisser l'appareil refroidir complètement avant de retirer ou de fixer des composants ou avant de le nettoyer.
6. Ne pas faire fonctionner un appareil dont la fiche ou le cordon est endommagé. En cas de dysfonctionnement de l'appareil, de chute ou de dommage de quelque nature que ce soit, retourner l'appareil au centre de service après-vente agréé le plus proche pour examen, réparation ou réglage électrique ou mécanique.
7. L'utilisation d'accessoires non recommandés par le fabricant de l'appareil peut entraîner un incendie, un choc électrique ou des blessures.
8. Placer l'appareil sur une surface plane ou sur une table, ne pas suspendre le cordon d'alimentation au-dessus du bord d'une table ou d'un plan de travail.
9. S'assurer que le cordon d'alimentation ne touche pas une surface chaude de l'appareil.
10. Pour éviter tout dommage, ne pas placer la machine à café sur une surface chaude ou à côté d'une flamme.
11. Pour débrancher, retirer la fiche de la prise murale. Pour débrancher l'appareil, toujours tirer la fiche et non pas le cordon.
12. Ne pas utiliser pas l'appareil pour un usage autre que celui auquel il est destiné et le placer dans un environnement sec.
13. Une surveillance étroite est nécessaire lorsque votre appareil est utilisé à proximité d'enfants.
14. Faire attention à ne pas se brûler avec la vapeur.
15. Ne pas toucher la surface chaude de l'appareil. Utiliser la poignée ou les boutons.
16. Ne pas laisser pas la machine à café fonctionner sans eau.
17. Ne pas retirer l'entonnoir métallique lorsque l'appareil prépare du café ou lorsqu'il libère de la vapeur.

18. Brancher la fiche sur une prise murale avant utilisation et éteindre l'appareil avant de retirer la fiche de la prise murale.

19. Les enfants à partir de 8 ans et les personnes présentant des capacités physiques, sensorielles ou mentales réduites, ou manquant d'expérience et de connaissances, peuvent utiliser cet appareil sous surveillance, à condition d'avoir reçu des instructions sur la manière de s'en servir en toute sécurité et d'avoir compris les risques auxquels ils s'exposent. Les enfants ne doivent pas jouer avec l'appareil. Le nettoyage et l'entretien par l'utilisateur ne devraient pas être effectués par des enfants, sauf s'ils ont plus de 8 ans et s'ils sont encadrés.

20. Les enfants doivent être surveillés afin de s'assurer qu'ils ne jouent pas avec l'appareil.

21. La température de l'environnement de fonctionnement ou de stockage doit être supérieure à 0°C.

22. Cet appareil est destiné à être utilisé dans des locaux domestiques et des environnements similaires, tels que :

- les cuisines du personnel dans les magasins, les bureaux et autres environnements de travail ;

- les établissements agricoles ;

- les hôtels, motels et autres environnements de type résidentiel, pour les clients ;

- les établissements de type « Bed and Breakfast ».

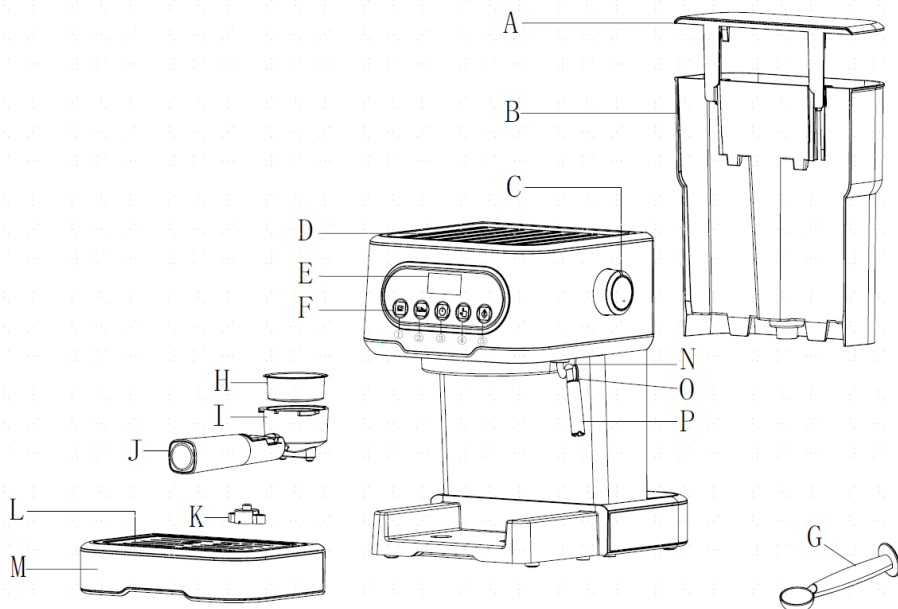
23. Ne pas utiliser l'appareil à l'extérieur.

24. Conserver ces instructions.

25. Si le produit n'est pas utilisé pendant une longue période, mettre le produit sous tension, puis libérer la vapeur pendant 3 minutes avant de le laisser.

26. Si l'alimentation est coupée pendant le dégagement de vapeur, la chaleur résiduelle fera que le produit continuera à dégager de la vapeur pendant un certain temps. Le produit cessera de libérer de la vapeur dès que le bouton Vapeur aura été éteint.

Connaître votre machine à café



A. Couvercle du réservoir d'eau
B. Réservoir d'eau
C. Bouton de commande de la vapeur
D. Couvercle supérieur
E. Affichage
F. Panneau de commande (① Bouton Café 1 tasse ② Bouton Café 2 tasses ③ Bouton Marche/Arrêt ④ Bouton Café manuel ⑤ Bouton Vapeur)

G. Doseur
H. Grille en acier
I. Entonnoir en métal
J. Poignée entonnoir
K. Couvercle flotteur
L. Tablette à tasses amovible
M. Bac égouttoir Buse à mousse
N. Poignée du conduit de vapeur
O. Buse vapeur
P. Buse à mousse

Avant la première utilisation

Pour que la première tasse de café ait un goût excellent, il est nécessaire de rincer la machine à café à l'eau chaude comme suit :

1. Ouvrir le couvercle du réservoir d'eau, remplir le réservoir d'eau, le niveau d'eau ne doit pas dépasser la marque « MAX » à l'intérieur du réservoir. Replacer ensuite le couvercle du réservoir d'eau.
Remarque : l'appareil est fourni avec un réservoir d'eau amovible pour faciliter le nettoyage. Vous pouvez d'abord remplir le réservoir d'eau, puis le mettre en place dans l'appareil.
2. Placer la grille en acier dans l'entonnoir en métal (pas de café dans la grille en acier), s'assurer que le tube de l'entonnoir est aligné avec la rainure de l'appareil, puis insérer l'entonnoir dans l'appareil à partir de la position « INSERT », et le fixer fermement dans la machine à café en le tournant de droite à gauche jusqu'à ce qu'il soit en position « LOCK ».

3. Placer un pot sur tablette à tasses amovible. S'assurer que le bouton de réglage de la vapeur est sur la position OFF (arrêt).
4. Connecter la machine à la source d'alimentation, appuyer sur le bouton Marche/Arrêt, le voyant Marche/Arrêt s'allume en blanc, les voyants des boutons Café 1 tasse, Café 2 tasses, Café manuel et Vapeur clignotent, la machine commence le préchauffage et lorsque tous les voyants sont allumés, le préchauffage est terminé
Remarque : si le préchauffage n'est pas encore terminé, appuyer sur le bouton Café 1 tasse, le bouton Café 2 tasses ou le bouton Café manuel, la pompe ne fonctionne pas ; si vous voulez produire de la vapeur, appuyer sur le bouton Vapeur.
5. Appuyer sur le bouton Café manuel, l'appareil va pomper de l'eau pendant environ 30 secondes, verser l'eau dans la tasse puis nettoyer soigneusement ; l'appareil est maintenant prêt à préparer du café.
Remarque : il peut y avoir un bruit lors du premier pompage de l'eau, il est normal que l'appareil libère l'air à l'intérieur. Après environ 20 secondes, le bruit disparaît.
Remarque : avant la première utilisation, le voyant du bouton clignote rapidement, ce qui indique une alarme, car il n'y a pas d'eau dans le chauffe-eau. Appuyer sur le bouton Café manuel jusqu'à ce que la pompe cesse de fonctionner et que l'alarme soit désactivée. Ensuite, l'opération de préparation du café peut être lancée.

Préchauffage

Pour préparer un bon café Espresso bien chaud, il est recommandé de préchauffer l'appareil avant de préparer le café, y compris l'entonnoir en métal, la grille en acier et la tasse, afin que la saveur du café ne soit pas influencée par les composants froids.

1. Retirer le réservoir d'eau amovible et ouvrir le couvercle du réservoir d'eau pour le remplir avec l'eau souhaitée, le niveau d'eau ne doit pas dépasser le repère « MAX » dans le réservoir. Remettre ensuite le réservoir d'eau en place
2. Placer la grille en acier dans l'entonnoir en métal, s'assurer que le tube de l'entonnoir est aligné avec la rainure de l'appareil, puis insérer l'entonnoir dans l'appareil à partir de la position « INSERT », et le fixer fermement dans la machine à café en le tournant de droite à gauche jusqu'à ce qu'il soit en position « LOCK ».
3. Placer une tasse à espresso sur la tablette à tasses amovible.
4. Brancher ensuite l'appareil à l'alimentation électrique. S'assurer que le bouton de réglage de la vapeur est sur la position OFF (arrêt).
5. Appuyer sur le bouton Marche/Arrêt, le voyant d'alimentation est allumé en blanc, les voyants du bouton Café 1 tasse, du bouton Café 2 tasses et du bouton Café manuel clignotent, la machine commence à préchauffer ; une fois que tous les voyants sont allumés en continu, cela signifie que le préchauffage est terminé, appuyer sur bouton Café manuel, la machine pompe de l'eau ; lorsqu'il y a de l'eau qui s'écoule, appuyer à nouveau sur ce bouton Café pour arrêter immédiatement de pomper de l'eau. Le but de cette étape est de pomper l'eau du réservoir d'eau dans le chauffe-eau.
6. Lorsque le voyant du bouton Café est allumé, cela indique que le préchauffage est terminé

Préparer un espresso

1. Retirer l'entonnoir en le tournant de gauche à droite. Ajouter le café moulu dans la grille en acier à l'aide d'un doseur ; un doseur de café moulu correspond à environ une tasse de café de qualité supérieure ; ensuite presser fermement le café moulu avec le pilon.
2. Placer la grille en acier dans l'entonnoir en métal, s'assurer que le tube de l'entonnoir est aligné avec la rainure de l'appareil, puis insérer l'entonnoir dans l'appareil à partir de la position « INSERT », et le fixer fermement dans la machine à café en le tournant de droite à gauche jusqu'à ce qu'il soit en position « LOCK ».
3. Placer une tasse sur une tablette à tasses amovible.

4. Une fois le préchauffage terminé, appuyer sur le bouton Café 1 tasse ou Café 2 tasses ; l'appareil commence à infuser, le temps de préparation pour le café 1 tasse est de 15 secondes et de 25 secondes pour le café 2 tasses. Pour obtenir la quantité de café que vous souhaitez, appuyer une fois sur le bouton Café manuel ; lorsque la quantité de café souhaitée est atteinte, appuyer à nouveau sur ce bouton pour arrêter ; pour le bouton Café manuel, le temps de préparation est de 90 secondes max. ; l'unité s'arrêtera automatiquement si aucune opération n'est effectuée dans les 90 secondes.
5. Au moment où le voyant du bouton Café correspondant doit s'allumer, s'il s'éteint, attendre un moment ; une fois qu'il s'allume à nouveau, appuyer sur le bouton Café correspondant, attendre un moment, le café s'écoulera.
6. Appuyer sur le bouton Café lorsque le café souhaité est obtenu ou que la couleur du café change de manière évidente, la machine à café s'arrête de fonctionner ; si le voyant du bouton Café est éteint, attendre un moment, le voyant du bouton Café s'allume à nouveau, vous pouvez continuer à préparer du café.
7. Appuyer sur le bouton 1 tasse pendant 3 secondes, le bouton 1 tasse clignote ; pour entrer dans le mode de réglage, appuyer à nouveau sur le bouton 1 tasse pour commencer à préparer le café ; lorsque le temps spécifié est atteint, appuyer sur le bouton 1 tasse pour terminer le réglage qui peut être mémorisé par l'unité. La durée de préparation pour une tasse de café peut être réglée jusqu'à 45 secondes, si la durée de préparation pour 1 tasse de café est réglée, la durée de préparation pour 2 tasses de café sera automatiquement mise à jour à deux fois celle du café 1 tasse ; la durée de préparation pour 2 tasses de café peut être réglée jusqu'à 90 secondes, si la durée de préparation pour 2 tasses de café est réglée, la durée de préparation pour 1 tasse de café sera automatiquement mise à jour à la moitié de celle du café pour 2 tasses de café
AVERTISSEMENT : Ne pas laisser pas la machine à café sans surveillance pendant la préparation, car vous devez parfois la faire fonctionner manuellement !
8. Une fois la préparation du café terminée, retirer l'entonnoir métallique en le tournant de gauche à droite, puis vider les résidus de café à l'aide de la grille en acier pressée par la barre de pression.
9. Les laisser complètement refroidir, puis les rincer à l'eau courante.

Préparation de l'eau chaude

Lorsque le produit est préchauffé, tourner le bouton Vapeur pour libérer l'eau chaude et appuyer sur le bouton Café manuel pour commencer la préparation de l'eau chaude. Appuyer à nouveau sur le bouton Café manuel et fermer le bouton Vapeur pour terminer la préparation de l'eau chaude.

Préparer un cappuccino/lait mousseux

Pour obtenir une tasse de cappuccino, compléter une tasse d'espresso avec du lait mousseux.

Méthode :

1. Préparer d'abord l'espresso avec un récipient suffisamment grand selon la section « PRÉPARER L'ESPRESSO » et s'assurer que le bouton de réglage Vapeur est sur la position OFF (arrêt).
2. Appuyer sur le bouton Vapeur, le voyant du bouton Café s'éteint, attendre que le voyant du bouton Vapeur s'allume.
 Remarque : pendant le fonctionnement, le voyant du bouton Vapeur s'allume et s'éteint pour maintenir la température souhaitée.
3. Remplir un pot avec environ 100 ml de lait pour chaque cappuccino à préparer ; il est recommandé d'utiliser du lait entier à la température du réfrigérateur (pas chaud !).
 Remarque : en choisissant la taille du pot, il est recommandé que le diamètre ne soit pas inférieur à 70±5mm, et tenir compte que le lait double de volume ; s'assurer donc que la hauteur du récipient est suffisante.
4. Tourner lentement le bouton de réglage de la vapeur de droite à gauche, la vapeur sort alors de la buse de moussage
 Remarque : ne jamais tourner rapidement le bouton de réglage de la vapeur, car celle-ci pourrait s'accumuler rapidement en peu de temps, ce qui pourrait augmenter un risque potentiel d'explosion.

5. Insérer la buse de moussage dans le lait sur environ deux centimètres, faire mousser le lait en déplaçant le récipient de haut en bas.
6. Lorsque le résultat souhaité est atteint, tourner le bouton de réglage de la vapeur sur la position OFF (arrêt).
Remarque : nettoyer la sortie de vapeur avec une éponge humide immédiatement après l'arrêt de la production de vapeur, mais faire attention à ne pas se blesser !
7. Verser le lait mousseux dans l'espresso préparé, le cappuccino est maintenant prêt. Sucrez à votre goût et, si vous le souhaitez, saupoudrer la mousse d'un peu de cacao en poudre.
8. Appuyer sur le bouton Marche/Arrêt pour couper l'alimentation. Tous les voyants s'éteignent.
9. Lorsque la fonction Vapeur est utilisée pendant plus de 180 secondes en une seule opération continue, le voyant Vapeur clignote rapidement pour vous alerter ; dans ce cas, appuyer sur le bouton Café pour refroidir, et la machine peut reprendre son activité après s'être refroidie à une température normale.
Remarque : si vous voulez préparer du café immédiatement après avoir produit de la vapeur, le voyant de la fonction Vapeur clignote pour vous alerter lorsque vous appuyez sur le bouton Café, vous devez alors tourner le bouton de réglage de la vapeur sur la position ON (marche) pour pomper de l'eau chaude afin de laisser l'appareil refroidir.

Fonction de mise hors tension automatique

Si aucune opération n'est effectuée pendant 25 minutes, l'appareil s'éteint automatiquement.

Nettoyage et entretien :

1. Éteindre la machine à café et la laisser refroidir complètement avant de la nettoyer.
2. Nettoyer souvent le boîtier de la cafetière à l'aide d'une éponge anti-humidité et nettoyer régulièrement le réservoir d'eau, le bac égouttoir et la tablette à tasses amovible, puis les sécher.
Remarque : ne pas nettoyer avec de l'alcool ou un nettoyant à base de solvant. Ne jamais plonger le boîtier dans l'eau pour le nettoyer.
3. Détacher l'entonnoir métallique en le tournant de gauche à droite, vider les résidus de café à l'intérieur, puis le nettoyer avec un nettoyant et, enfin, le rincer à l'eau claire.
4. Nettoyer tous les accessoires dans l'eau et bien les sécher.
5. Après 500 cycles d'activité (café, vapeur et autres fonctions), tous les voyants clignotent rapidement 5 fois en même temps, une fois le préchauffage terminé, pour vous rappeler qu'il faut détartrer ; si vous ne détartrerez pas, cela se produira à chaque fois que vous utiliserez la machine ; en mode veille, appuyer simultanément sur les boutons Café manuel et Café 2 tasses pendant 3 secondes, et les deux voyants clignotent rapidement 3 fois, pour vous rappeler l'annulation du détartrage, et le nombre de cycles d'activité revient à zéro.

Nettoyage des dépôts minéraux

1. Pour vous assurer que votre machine à café fonctionne efficacement, que la tuyauterie interne est propre et que la saveur du café est optimale, vous devez nettoyer tous les 2 ou 3 mois les dépôts minéraux laissés.
2. Remplir le réservoir d'eau avec de l'eau et du détartrant jusqu'au niveau MAX (la proportion d'eau et de détartrant est de 4:1, pour plus de détails se référer aux instructions du détartrant). Veuillez utiliser un « détartrant ménager » ; vous pouvez utiliser l'acide citrique (disponible en pharmacie ou en droguerie) à la place du détartrant (cent parties d'eau et trois parties d'acide citrique).
3. Selon le programme de préchauffage, mettre en place l'entonnoir métallique (sans poudre de café) et le pot. Faire couler l'eau selon le programme « PRÉCHAUFFAGE ».
4. Appuyer sur le bouton Marche/Arrêt, le voyant d'alimentation s'allume, appuyer sur le bouton Café, s'assurer que le bouton de réglage de la vapeur est en position Arrêt ; lorsque l'eau s'écoule, appuyer sur le bouton Café pour arrêter le pompage ; attendre un moment et la machine à café commence à préchauffer

5. Lorsque le voyant du bouton Café est allumé, cela indique que le préchauffage est terminé. Appuyer sur le bouton Café et préparer deux tasses de café (environ 60 ml). Appuyer sur le bouton Café pour arrêter le pompage.
6. Appuyer sur le bouton Vapeur, le voyant du bouton Café s'éteint ; attendre que le voyant du bouton Vapeur s'allume. Produire de la vapeur pendant 2 minutes en tournant le bouton de réglage de la vapeur, puis tourner le bouton de production de la vapeur sur la position OFF (arrêt) pour arrêter de produire de la vapeur. Appuyer sur le bouton Marche/Arrêt pour éteindre immédiatement l'appareil, laisser le détartrant se déposer à l'intérieur de l'appareil pendant au moins 15 minutes.
7. Appuyer sur le bouton Marche/Arrêt pour redémarrer l'appareil, attendre que le voyant du bouton Café s'allume, puis appuyer sur le bouton Café pour faire couler jusqu'à ce qu'il ne reste plus de détartrant.
9. Remplir avec de l'eau du robinet au niveau MAX, répéter 3 fois les étapes 4 à 6, puis infuser jusqu'à ce qu'il n'y ait plus d'eau dans le réservoir.

Dépannage

Symptôme	Cause	Corrections
Les parties métalliques du réservoir sont rouillées.	Le détartrant n'est pas du type recommandé. Il peut corroder les parties métalliques du réservoir.	Utiliser le détartrant recommandé par le fabricant.
De l'eau s'écoule du fond de la machine à café	Il y a beaucoup d'eau dans le bac égouttoir.	Veillez nettoyer le bac égouttoir.
	La machine à café présente un dysfonctionnement.	Veillez contacter le service après-vente agréé pour la réparation.
De l'eau s'échappe du côté extérieur du filtre.	Il y a de la poudre de café sur le bord du filtre.	L'éliminer.
Le café espresso a un goût acide (vinaigre).	Pas de nettoyage correct après le nettoyage des dépôts minéraux.	Nettoyer la machine à café plusieurs fois selon le contenu de la rubrique « avant la première utilisation ».
	Le café en poudre est stocké dans un endroit chaud et humide pendant une longue période. Le café en poudre devient mauvais.	Veillez utiliser du café en poudre frais ou conserver le café en poudre non utilisé dans un endroit frais et sec. Après avoir ouvert un sachet de café en poudre, le refermer hermétiquement et le stocker dans un réfrigérateur pour conserver sa fraîcheur.
La machine à café ne fonctionne plus.	La prise de courant n'est pas correctement branchée.	Brancher correctement le cordon d'alimentation dans une prise murale. Si l'appareil ne fonctionne toujours pas, contacter le service après-vente agréé pour la réparation.
La vapeur ne peut pas faire mousser.	Le voyant Vapeur n'est pas allumé.	Ce n'est qu'après que le voyant Vapeur soit allumé que la vapeur peut être utilisée pour faire mousser.
	Le récipient est trop grand ou la forme ne convient pas.	Utiliser un récipient haut et étroit.
	Vous avez utilisé du lait écrémé	Utiliser du lait entier ou du lait demi-écrémé

Cet équipement est étiqueté conformément à la directive européenne 2012/19/CE relative aux déchets d'équipements électriques et électroniques – DEEE. Cette directive précise les exigences relatives à la collecte et à la gestion des déchets d'équipements électriques et électroniques en vigueur dans l'ensemble de l'Union européenne.

ENVIRONNEMENT

À la fin la durée de vie de l'appareil, ne pas le jeter avec les déchets ménagers ordinaires. Le déposer dans un centre de recyclage agréé. Vous contribuerez ainsi à préserver l'environnement.

GARANTIE ET RÉPARATION

Pour plus d'informations ou en cas de problèmes, veuillez contacter le service après-vente Gorenje de votre pays (numéro de téléphone indiqué sur la fiche de garantie internationale). Si un tel centre n'existe pas dans votre pays, veuillez contacter le revendeur Gorenje local ou le service des petits appareils électroménagers de Gorenje.

Pour un usage domestique uniquement !

HISENSE

**VOUS SOUHAITE BEAUCOUP DE PLAISIR DANS L'UTILISATION
DE VOTRE MACHINE À CAFÉ.**

Importante

Leggere attentamente questo manuale utente prima di utilizzare l'apparecchio e conservarlo per consultazioni future

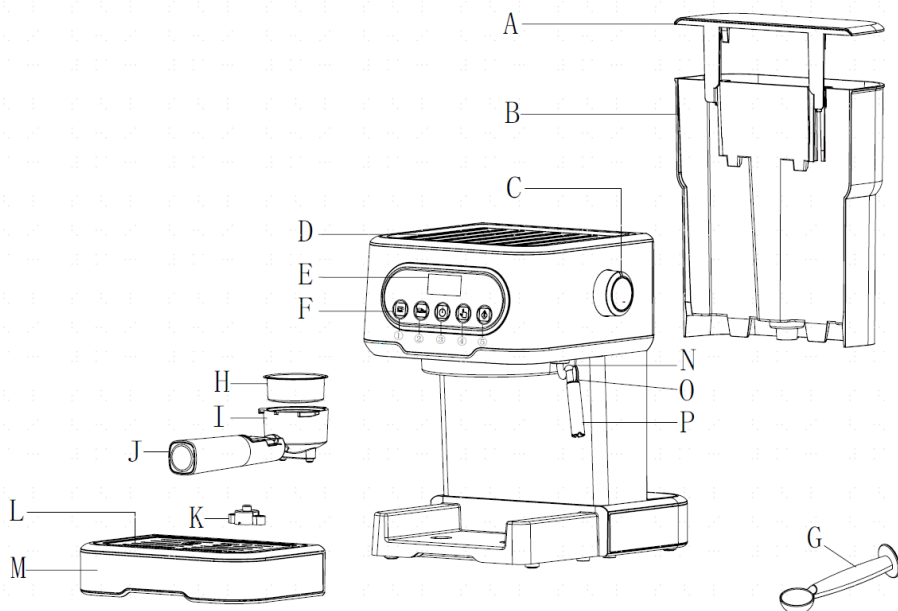
Precauzioni di sicurezza

Prima di utilizzare un apparecchio elettrico, è necessario attenersi sempre alle precauzioni di base, fra cui le seguenti:

1. Leggere tutte le istruzioni.
2. Prima dell'uso, verificare che la tensione della presa a muro corrisponda alla tensione nominale indicata sulla targhetta.
3. Questo apparecchio è stato dotato di una spina con messa a terra. Si prega di assicurarsi che la presa a muro della tua casa sia adeguatamente collegata a terra.
4. Per proteggersi da incendi, scosse elettriche e lesioni alle persone, non immergere il cavo o la spina in acqua o altri liquidi.
5. Scollegare la spina dalla presa a muro prima della pulizia e quando l'apparecchio non è in uso. Lasciare che l'apparecchio si raffreddi completamente prima di rimuovere o collegare componenti o prima di pulirlo.
6. Non azionare alcun apparecchio con un cavo o una spina danneggiati. In caso di malfunzionamento, di caduta o di qualsiasi danno, restituire l'apparecchio al centro di assistenza autorizzato più vicino per un esame approfondito, la riparazione o la regolazione elettrica o meccanica.
7. L'uso di accessori non consigliati dal produttore dell'apparecchio può provocare incendi, scosse elettriche o lesioni alla persona.
8. Posizionare l'apparecchio su una superficie piana o un tavolo, non lasciar pendere il cavo di alimentazione sul bordo di un tavolo o di un bancone.
9. Assicurarsi che il cavo di alimentazione non tocchi la superficie calda dell'apparecchio.
10. Per evitare danni, non posizionare la caffettiera su una superficie calda o accanto a un fuoco.
11. Per scollegare, rimuovere la spina dalla presa a muro. Quando si scollega, assicurarsi sempre di tirare dalla spina e non dal cavo.
12. Non utilizzare l'apparecchio per scopi diversi da quello previsto e posizionarlo in un ambiente asciutto.
13. È necessaria un'attenta supervisione quando l'apparecchio viene utilizzato vicino a bambini.
14. Fare attenzione a non scottarsi con il vapore.
15. Non toccare la superficie calda dell'apparecchio. Usare impugnature e manopole.
16. Non azionare la caffettiera senza acqua.
17. Non rimuovere l'imbutto di metallo durante l'erogazione del caffè o del vapore.

18. Collegare la spina a una presa a muro prima dell'uso e spegnere l'apparecchio prima di scollegare la spina dalla presa.
19. I bambini di età pari o superiore agli otto anni e le persone con ridotte capacità fisiche, sensoriali e mentali o con conoscenze ed esperienze insufficienti possono usare questo apparecchio sotto appropriata supervisione o se hanno ricevuto istruzioni adeguate riguardo l'uso sicuro dell'apparecchio e ne comprendono i pericoli relativi all'utilizzo. I bambini non devono giocare con l'apparecchio. La pulizia e la manutenzione non devono essere eseguite da bambini, a meno che non abbiano più di 8 anni e siano supervisionati.
20. I bambini devono essere tenuti sotto controllo al fine di assicurarsi che non giochino con l'apparecchio.
21. La temperatura dell'ambiente di funzionamento o di conservazione deve essere superiore a 0°C.
22. Questo apparecchio è destinato all'uso in ambienti domestici e simili come:
- cucine per il personale in negozi, uffici e altri ambienti di lavoro;
 - cascine;
 - per clienti in alberghi, motel e altri ambienti di tipo residenziale;
 - ambienti tipo bed and breakfast;
23. Non utilizzare all'aperto.
24. Conservare le presenti istruzioni.
25. Se si ha intenzione di non utilizzare il dispositivo per un lungo periodo, è necessario accendere l'alimentazione e quindi rilasciare vapore per 3 minuti prima di riporre l'apparecchio.
26. Se l'alimentazione viene interrotta durante l'emissione di vapore, il calore residuo farà sì che il prodotto continui a rilasciare vapore per un certo periodo di tempo. Il prodotto smetterà di rilasciare vapore subito dopo che l'apposita manopola verrà disattivata.

Conosci la tua macchina del caffè



- A. Coperchio del serbatoio dell'acqua
 B. Serbatoio dell'acqua
 C. Manopola per la regolazione del vapore
 D. Coperchio superiore
 E. Display
 F. Pannello di controllo (1 Tasto tazza di caffè singola 2 Tasto tazza di caffè doppia 3 Tasto accensione 4 Tasto caffè manuale 5 Tasto vapore)
 G. Cucchiaino dosatore

- H. Filtro d'acciaio
 I. Imbuto di metallo
 J. Impugnatura a imbuto
 K. Coperchio galleggiante
 L. Ripiano estraibile per tazze
 M. Ugello raccogli schiuma a vaschetta
 N. Maniglia del condotto del vapore
 O. Lancia vapore
 P. Ugello schiuma

Prima del primo utilizzo

Per garantire che la prima tazza di caffè abbia un ottimo sapore, è necessario sciacquare la caffettiera con acqua tiepida come segue:

1. Aprire il coperchio del serbatoio dell'acqua e riempirlo senza che il livello dell'acqua superi il segno "MAX" al suo interno. Quindi sostituire il coperchio del serbatoio dell'acqua.
Nota: l'apparecchio viene fornito con un serbatoio dell'acqua rimovibile per una facile pulizia, pertanto è possibile riempire prima il serbatoio con l'acqua e poi collegarlo al dispositivo.
2. Impostare il filtro d'acciaio nell'imbuto di metallo (senza caffè al suo interno), assicurarsi che il tubo sull'imbuto sia allineato con la scanalatura nell'apparecchio, quindi inserire l'imbuto nell'apparecchio dalla posizione "INSERT" e fissarli saldamente nella caffettiera ruotandolo in senso antiorario fino a portarlo in posizione "LOCK".
3. Posizionare una brocca sul ripiano rimovibile per tazze. Assicurarsi che la manopola di regolazione del vapore sia in posizione OFF.
4. Collegare all'alimentazione, premere il pulsante di accensione, l'indicatore di alimentazione si illumina in bianco. Gli indicatori del pulsante "1 tazza di caffè", del pulsante "2 tazze caffè", pulsante "caffè manuale" e il pulsante del vapore lampeggiano, la macchina inizia il preriscaldamento, il quale sarà terminato dopo che tutti gli indicatori si saranno accesi in posizione fissa.
Nota: se il preriscaldamento non è ancora terminato, premere il pulsante "tazza di caffè singola", "tazze di caffè doppia" o il pulsante "caffè manuale", la pompa non funzionerà; se si desidera produrre vapore, premere il pulsante vapore.
5. Premere il pulsante del caffè manuale, l'unità pomperà l'acqua per circa 30 secondi, verserà l'acqua nella tazza quindi pulirà accuratamente, ora l'apparecchio è pronto per fare il caffè.
Nota: Potrebbe esserci rumore quando l'acqua viene pompata per la prima volta, poiché è normale che l'apparecchio rilasci dell'aria al suo interno. Dopo circa 20 secondi, il rumore scomparirà.
Nota: prima del primo utilizzo, l'indicatore del pulsante lampeggerà velocemente come segno di avvertimento della mancanza di acqua nel generatore di vapore. Premere il pulsante caffè manuale e tenerlo premuto finché la pompa non smette di funzionare e l'allarme viene disattivato. Quindi, è possibile avviare l'operazione di erogazione del caffè.

Preriscaldamento

Per preparare una buona tazza di caffè espresso caldo, si consiglia di preriscaldare l'apparecchio prima di fare il caffè, compreso l'imbuto in metallo, il filtro in acciaio e la tazza, in modo che l'aroma del caffè non possa essere influenzato dalle parti fredde.

1. Rimuovere il serbatoio rimovibile dell'acqua e aprirne il coperchio per riempirlo con la quantità desiderata, il livello dell'acqua non deve superare il segno "MAX" nel serbatoio. Quindi sostituire il serbatoio dell'acqua
2. Posizionare il filtro d'acciaio nell'imbuto di metallo (senza caffè all'interno), assicurarsi che il tubo sull'imbuto sia allineato con la scanalatura nell'apparecchio, quindi inserire l'imbuto nell'apparecchio dalla posizione "INSERT" e fissarli saldamente nella caffettiera ruotandolo in senso antiorario fino a portarlo in posizione "LOCK".
3. Posizionare una tazzina da caffè sul ripiano estraibile per tazze.
4. Quindi collegare l'apparecchio all'alimentazione. Assicurarsi che la manopola di regolazione del vapore sia in posizione OFF.
5. Premere il pulsante di accensione, l'indicatore di alimentazione si illumina in bianco, gli indicatori dei pulsanti "caffè singolo", "caffè doppio" e "caffè manuale" lampeggeranno e la macchina inizierà il preriscaldamento, il quale sarà completato dopo che tutti gli indicatori saranno accesi in posizione fissa. Dunque premere il pulsante caffè manuale, la macchina pomperà l'acqua e, quando questa fuoriuscirà, premere nuovamente lo stesso pulsante per interrompere il pompaggio. Lo scopo di questo passaggio è pompare l'acqua del serbatoio nel generatore di vapore.
6. Quando l'indicatore del pulsante del caffè è acceso, indica che il preriscaldamento è terminato

Preparare un espresso

1. Rimuovere l'imbuto ruotandolo in senso orario. Aggiungere con un misurino il caffè macinato nel filtro in acciaio, considerando che un cucchiaino di polvere di caffè macinato può fare circa una tazza di caffè di alta qualità. Quindi pressare vigorosamente la polvere di caffè macinato con il pressino.
2. Posizionare il filtro d'acciaio nell'imbuto di metallo (senza caffè all'interno), assicurarsi che il tubo sull'imbuto sia allineato con la scanalatura nell'apparecchio, quindi inserire l'imbuto nell'apparecchio dalla posizione "INSERT" e fissarli saldamente nella caffettiera ruotandolo in senso antiorario fino a portarlo in posizione "LOCK".
3. Posizionare una tazza sul ripiano rimovibile per tazze .
4. Al termine del preriscaldamento, premere il pulsante "tazza di caffè singola" o "tazza di caffè doppia" e il prodotto inizierà l'erogazione. Il tempo di lavoro è di 15 secondi per 1 tazza singola e 25 secondi per una doppia. Se si desidera ottenere una certa quantità di caffè desiderata, premere una volta il pulsante del caffè manuale e quando verrà raggiunto il livello desiderato, premere nuovamente questo pulsante per interrompere. Per il pulsante del caffè manuale, il tempo di lavoro è Max 90s, dunque l'unità smetterà automaticamente di funzionare se nessuna operazione verrà effettuata entro 90s.
5. Al momento di accensione dell'indicatore del pulsante corrispondente, se esso si spegne, attendere un momento; una volta che si sarà riacceso, premere il pulsante relativo al caffè desiderato, attendere ancora un po' fino a che il caffè fuoriuscirà.
6. Premere il pulsante Caffè quando si è ottenuta la quantità desiderata o il colore del caffè sarà diventato chiaramente meno intenso. La caffettiera smetterà di funzionare, se l'indicatore del pulsante del caffè si spegne. Attendere un momento, l'indicatore del pulsante del caffè si accenderà di nuovo e sarà possibile continuare a fare il caffè.
7. Tenere premuto il pulsante "tazza di caffè singola" per 3 secondi, il pulsante lampeggerà, entrerà in modalità impostazioni. Quindi premere nuovamente il pulsante "tazza di caffè singola" per avviare l'erogazione del caffè; quando verrà raggiunto il tempo specificato, premere il pulsante "caffè singolo" per completare l'impostazione da memorizzare dall'unità. La durata dell'operazione per una tazza singola di caffè è impostabile fino a 45s. Se viene impostata la durata dell'operazione per una tazza singola di caffè, la durata dell'operazione per una tazza doppia verrà automaticamente aggiornata a 2 volte di quella di una tazza singola. La durata dell'operazione per una tazza doppia può essere impostata fino a 90s. Se viene impostata la durata di lavoro per una tazza doppia, la durata di lavoro per una tazza singola sarà automaticamente aggiornata alla metà di essa.
ATTENZIONE: Non lasciare la caffettiera incustodita durante la preparazione del caffè, poiché a volte è necessario intervenire manualmente!
8. Dopo aver terminato la preparazione del caffè, estrarre l'imbuto metallico ruotandolo in senso orario, quindi eliminare i residui di caffè con il filtro in acciaio pressati dalla barra di pressione.
9. Lasciarli raffreddare completamente, quindi lavarli via sotto l'acqua corrente.

Scaldare l'acqua

Quando l'apparecchio è preriscaldato, ruotare la manopola del vapore per rilasciare acqua calda e premere il pulsante "caffè manuale" per avviare la preparazione dell'acqua calda. Premere nuovamente il pulsante "caffè manuale" e chiudere la manopola del vapore per terminare la preparazione dell'acqua calda.

Fare il cappuccino/latte schiumato

Si ottiene una tazza di cappuccino guarnendo una tazza di caffè espresso con del latte schiumato.

Metodo:

1. Preparare prima l'espresso con un contenitore abbastanza capiente come indicato nella sezione "PREPARARE L'ESPRESSO" e assicurarsi che la manopola di controllo del vapore sia in posizione OFF.

2. Premere il pulsante Vapore, l'indicatore del pulsante Caffè si spegnerà, quindi attendere fino a quando l'indicatore del pulsante Vapore non si sarà acceso.
Nota: durante il funzionamento, l'indicatore del pulsante Vapore si accende e si spegne ciclicamente per mantenere la temperatura desiderata.
3. Riempire un bricco con circa 100 ml di latte per ogni cappuccino da preparare. Si consiglia di utilizzare latte intero a temperatura di frigorifero (non caldo!).
Nota: Nella scelta della dimensione del bricco, se ne consiglia uno di diametro non inferiore a 70±5mm, e si tenga presente che il latte raddoppia di volume, dunque assicurarsi che l'altezza del bricco sia sufficiente.
4. Ruotare lentamente la manopola di controllo del vapore in senso antiorario e il vapore uscirà dall'ugello della schiuma.
Nota: non ruotare mai rapidamente il pulsante di controllo del vapore, poiché questo tende ad accumularsi rapidamente in un breve lasso di tempo, il che potrebbe aumentare il potenziale rischio di esplosione.
5. Inserire l'ugello per la schiuma nel latte a circa due centimetri di profondità e muovere il recipiente verso l'alto e verso il basso per montare il latte.
6. Una volta raggiunto il risultato desiderato, ruotare la manopola di controllo del vapore in posizione OFF.
Nota: pulire la bocchetta di uscita del vapore con una spugna bagnata subito dopo che il vapore avrà smesso di fuoriuscire, ma facendo attenzione a non scottarsi!
7. Versare il latte schiumato nell'espresso che si è preparato. Ora il cappuccino è pronto. Dolcificare a piacere e, se lo si desidera, spolverare la schiuma con un po' di cacao in polvere.
8. Premere il pulsante di accensione per interrompere l'alimentazione. Tutti gli indicatori si spegneranno.
9. Quando la funzione vapore viene utilizzata per più di 180 secondi in un'unica operazione continua, l'indicatore del vapore lampeggerà rapidamente in segno di allarme. In questo caso, premere il pulsante del caffè per raffreddare, così che la macchina possa tornare in standby alla temperatura normale dopo il raffreddamento.
Nota: se si desidera preparare il caffè subito dopo aver prodotto il vapore, l'indicatore del caffè lampeggerà in segno di allarme quando si preme il pulsante del caffè. A questo punto è necessario ruotare la manopola di controllo del vapore in posizione ON per pompare acqua calda e lasciare che l'unità si raffreddi.

Funzione di spegnimento automatico

Se non viene eseguita alcuna operazione entro 25 minuti, il dispositivo si spegnerà automaticamente.

Pulizia e manutenzione:

1. Spegnerare la caffettiera e lasciarla raffreddare completamente prima di pulirla.
2. Pulire spesso l'alloggiamento della macchina da caffè con una spugna resistente all'umidità e pulire regolarmente il serbatoio dell'acqua, la vaschetta raccogliacqua e il ripiano rimovibile per le tazze, quindi asciugarli.
Nota: non pulire con alcool o detergente a base di solventi. Non immergere mai l'alloggiamento in acqua per pulirlo.
3. Staccare l'imbuto di metallo ruotandolo in senso orario, eliminare i residui di caffè all'interno, quindi pulirlo con un detergente ma alla fine risciacquare con acqua pulita.
4. Pulire tutti gli accessori nell'acqua e asciugarli accuratamente.
5. Dopo che la macchina ha operato 500 cicli (compresi caffè, vapore e altre funzioni), tutti gli indicatori lampeggeranno velocemente 5 volte contemporaneamente dopo aver completato il preriscaldamento, ricordando di eseguire la decalcificazione. Se questa non viene eseguita, ciò si verificherà a ogni utilizzo della macchina; in stand-by premere contemporaneamente per 3s il tasto "caffè manuale" e il tasto "tazza doppia", i due indicatori lampeggiano velocemente 3 volte ricordando l'annullamento della decalcificazione e il numero di cicli di lavoro tornerà a zero.

Pulizia dei depositi minerali

1. Per assicurarti che la tua caffettiera funzioni in modo efficiente, che le tubazioni interne siano pulite e l'aroma del caffè sia ottimale, dovresti pulire i depositi minerali residui una volta ogni 2-3 mesi.
2. Riempire il serbatoio dell'acqua con acqua e decalcificante fino al livello MAX (la proporzione di acqua e decalcificante è 4:1, il dettaglio si riferisce alle istruzioni del decalcificante. Si prega di utilizzare il "decalificante domestico", è possibile utilizzare l'acido citrico (acquistabile in farmacia o nei supermercati) al posto del decalcificante (cento parti di acqua e tre parti di acido citrico).
3. In base al programma di preriscaldamento, inserire l'imbuto di metallo (senza polvere di caffè all'interno) e posizionare il bricco. Preparare l'acqua come da "PRERISCALDAMENTO".
4. Premere il pulsante di accensione, l'indicatore di alimentazione si accenderà, premere il pulsante del caffè, assicurarsi che la manopola di controllo del vapore sia in posizione di spegnimento. Appena fuoriuscirà l'acqua, premere il pulsante del caffè per interrompere il pompaggio e attendere un momento. La caffettiera inizierà a preriscaldarsi.
5. Quando l'indicatore del pulsante Caffè è acceso, significa che il preriscaldamento è terminato. Premere il pulsante Caffè e preparare due tazze di caffè (circa 2Oz). premere il pulsante Caffè per interrompere il pompaggio.
6. Premere il pulsante Vapore, l'indicatore del pulsante Caffè si spegnerà, quindi attendere fino a quando l'indicatore del pulsante Vapore non si sarà acceso. Emettere vapore per 2 minuti ruotando la manopola di controllo del vapore, quindi ruotare la manopola di controllo del vapore in posizione OFF per interrompere l'emissione di vapore. Premere il pulsante di accensione per spegnere immediatamente l'unità, fare depositare il decalcificante all'interno dell'unità per almeno 15 minuti.
7. Premere il pulsante di accensione per riavviare il dispositivo, attendere fino a quando l'indicatore del pulsante del caffè non si illuminerà, quindi premere il pulsante del caffè per erogare fino a quando non ci sarà più decalcificante.
8. Preparare con acqua del rubinetto al livello MAX, ripetere i passaggi 4-6 per 3 volte, quindi lasciare in infusione fino a quando non rimarrà più acqua all'interno del serbatoio.

Risoluzione dei problemi

Problema	Causa	Misure correttive
Le parti metalliche nel serbatoio sono arrugginite.	Il decalcificante non è consigliato. Potrebbe corrodere le parti metalliche del serbatoio.	Utilizzare il decalcificante consigliato dal produttore.
Perdite d'acqua dal fondo della caffettiera	C'è molta acqua nella vaschetta raccogliacqua.	Si prega di pulire la vaschetta.
	La caffettiera è difettosa.	Si prega di contattare il centro di assistenza autorizzato per la riparazione.
Ci sono perdite d'acqua dal lato esterno del filtro.	C'è della polvere di caffè sul bordo del filtro.	Rimuoverla.
Il caffè espresso ha un sapore acido (aceto).	Non è stata pulita correttamente dopo aver rimosso i depositi minerali.	Pulisci la caffettiera secondo il contenuto della sezione "prima del primo utilizzo" per più volte.
	La polvere di caffè è stata conservata a lungo in un luogo caldo e umido. La polvere di caffè va a male.	Si prega di utilizzare caffè in polvere fresco o di conservare il caffè in polvere inutilizzato in un luogo fresco e asciutto. Dopo aver aperto una confezione di polvere di caffè, richiudila ermeticamente e conservala in frigorifero per mantenerne la freschezza.

La caffettiera non funziona più.	La presa di corrente non è collegata bene.	Collegare correttamente il cavo di alimentazione ad una presa a muro. Se l'apparecchio continua a non funzionare, contattare il centro di assistenza autorizzato per la riparazione.
Il vapore non può fare la schiuma.	L'indicatore del vapore non è illuminato.	Solo dopo che l'indicatore del vapore si è acceso, questo può essere utilizzato per formare la schiuma.
	Il contenitore è troppo grande o la forma non si adatta.	Utilizzare contenitori alti e stretti.
	Hai usato latte scremato	Usa latte intero o parzialmente scremato

Questa apparecchiatura è etichettata in conformità con la Direttiva Europea 2012/19/EC sullo smaltimento di apparecchiature elettriche ed elettroniche – WEEE. La Direttiva specifica i requisiti per la raccolta e la gestione dei rifiuti di apparecchiature elettriche ed elettroniche in vigore in tutta l'Unione Europea.

AMBIENTE

Al termine del ciclo di utilizzo dell'apparecchio, non gettarlo con i comuni rifiuti domestici. Portarlo ad un centro di riciclaggio autorizzato. Ciò contribuirà a preservare l'ambiente.

GARANZIA E RIPARAZIONE

Per ulteriori informazioni o in caso di problemi, contattare il Call Center Gorenje nel proprio paese (numero di telefono elencato nel Foglio di Garanzia Internazionale). Se non esiste un centro di questo tipo nel proprio paese, contattare il rivenditore Gorenje locale o il reparto di elettrodomestici di Gorenje.
Solo per uso personale!

HISENSE

VI AUGURA UN PIACEVOLE USO DEL VOSTRO APPARECCHIO

Importante

Lea este manual detenidamente antes de utilizar el aparato y guárdelo para futuras consultas.

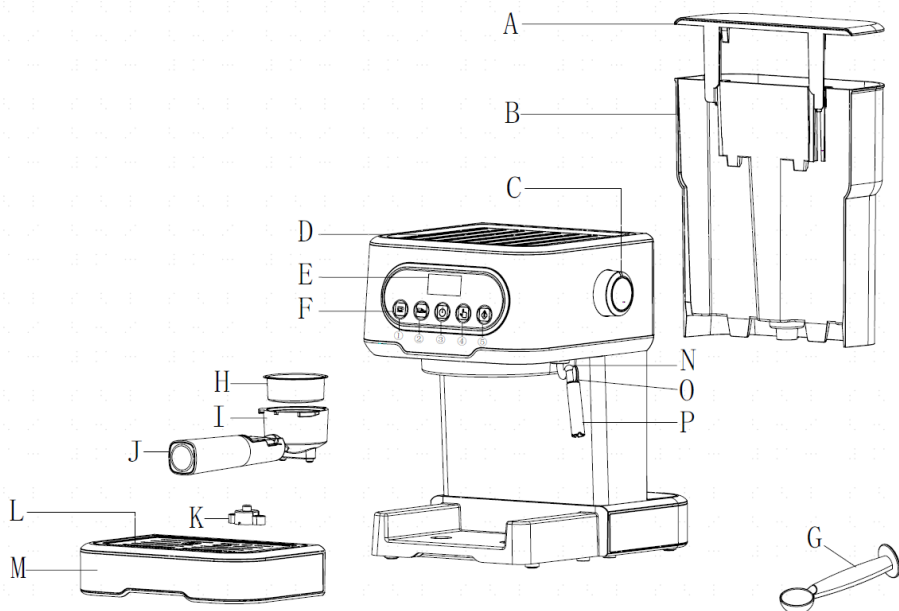
Precauciones de seguridad

Antes de utilizar este aparato eléctrico, debe seguir siempre las siguientes precauciones básicas:

1. Lea todas las instrucciones.
2. Antes de comenzar a usar el aparato, compruebe que la tensión de la toma de corriente coincida con la tensión nominal indicada en la placa de características.
3. Este aparato está equipado con un enchufe con conexión a tierra. Asegúrese de que la toma de corriente de su hogar esté conectada a tierra correctamente. Para evitar incendios, descargas eléctricas y lesiones en personas, no sumerja el aparato, el cable o el enchufe en agua u otra clase de líquido.
5. Desenchufe de la toma de corriente de pared antes de limpiar el aparato y cuando este no esté en uso. Permita que el aparato se enfríe por completo antes de quitar o colocar componentes o antes de limpiarlo.
6. No utilice un aparato que tenga un cable o un enchufe dañado. Si el artefacto no funciona correctamente o si ha sufrido una caída o cualquier otro daño, devuélvalo al centro de servicio autorizado más cercano para que lo examinen, reparen o realicen los ajustes eléctricos o mecánicos que sean necesarios.
7. El uso de accesorios no recomendados por el fabricante del aparato puede ocasionar incendios, descargas eléctricas o lesiones en personas.
8. Coloque el aparato sobre una superficie plana o una mesa, y evite que el cable de alimentación quede colgando del borde de la mesa o encimera.
9. Asegúrese de que el cable de alimentación no entre en contacto con una superficie del aparato que esté caliente.
10. Para evitar averías, no coloque la cafetera sobre una superficie caliente o al lado de un fuego u hornalla.
11. Para desconectar, retire el enchufe de la toma de corriente. Al desenchufar, asegúrese siempre de tirar del enchufe y no del cable.
12. No utilice este aparato para otro uso que no sea aquél para el que está destinado, y ubíquelo en un entorno seco.
13. Se requiere una estricta supervisión cuando el artefacto se use cerca de niños.
14. Tenga cuidado de no quemarse con el vapor.
15. No toque la superficie caliente del aparato. Utilice el asa o los pomos.
16. No permita que la cafetera funcione sin agua.
17. No retire el embudo de metal cuando el aparato esté preparando café o despidiendo vapor.

18. Enchufe el aparato a una toma de corriente de pared antes de usarlo y apague el aparato antes de desenchufarlo.
19. Este aparato puede ser utilizado por niños a partir de los 8 años y por personas con capacidades físicas, sensitivas o mentales reducidas, o sin experiencia ni conocimientos, siempre que alguien los supervise o les enseñe a utilizarlo de forma segura y que sean conscientes de los riesgos que implica su uso. Los niños no deben jugar con el aparato. La limpieza y el mantenimiento del usuario no deben ser realizados por los niños, a menos que sean mayores de 8 años y estén supervisados.
20. Los niños deben ser supervisados para garantizar que no jueguen con el aparato.
21. La temperatura ambiente para el funcionamiento o el almacenamiento del aparato debe ser superior a 0 °C.
22. Este aparato está diseñado para ser utilizado en hogares y entornos similares, tales como:
- áreas de cocina para el personal en tiendas, oficinas y otros entornos laborales;
 - casas rurales;
 - por clientes en hoteles, hostales y otros entornos de tipo residencial;
 - alojamientos de tipo «bed & breakfast».
23. No use este aparato al aire libre.
24. Guarde estas instrucciones.
25. Si no va a utilizar el aparato durante un tiempo prolongado, enciéndalo y libere el vapor durante 3 minutos.
26. Si se corta la energía durante el proceso de liberación del vapor, el calor residual hará que el aparato continúe liberando vapor durante un tiempo. La emisión de vapor finalizará inmediatamente una vez que gire el control de vapor hasta la posición de apagado.

Conozca su cafetera



- A. Tapa del depósito de agua
- B. Depósito de agua
- C. Control de vapor
- D. Cubierta superior
- E. Pantalla
- F. Panel de control (①1 taza②2 tazas③Encendido④Café manual⑤Vapor)
- G. Cuchara medidora
- H. Filtro de acero

- I. Embudo de metal
- J. Asa del embudo
- K. Cubierta del flotador
- L. Rejilla extraíble
- M. Bandeja de goteo
- N. Asa del conducto de vapor
- O. Tubo de vapor
- P. Boquilla de espuma

Antes del primer uso

Para garantizar que la primera taza de café tenga un sabor excelente, debe enjuagar la cafetera con agua tibia de la siguiente manera:

1. Abra la tapa del depósito y llénelo de agua, el nivel del agua no debe exceder la marca «MAX». que se encuentra en el depósito de agua. Vuelva a colocar la tapa del depósito de agua.
Nota: El aparato cuenta con un depósito de agua desmontable para facilitar su limpieza. Esto le permite extraer el depósito de agua para llenarlo, y luego colocarlo en el aparato.
2. Coloque el filtro de acero (sin café) en el embudo de metal, asegúrese de que el tubo del embudo esté alineado con la ranura del aparato, luego inserte el embudo en el aparato desde la posición «INSERT» y fíjelo firmemente en la cafetera girándolo en sentido antihorario hasta alcanzar la posición «LOCK».
3. Coloque un recipiente sobre la rejilla extraíble. Asegúrese de que el control de vapor esté en la posición de apagado (OFF).
4. Conecte a la fuente de alimentación y presione el botón de encendido; el indicador de encendido se iluminará en blanco, los indicadores de los botones de 1 taza, 2 tazas, café manual y vapor parpadearán; y la máquina comenzará a precalentarse. Cuando todos los indicadores estén encendidos de forma fija, el proceso de precalentamiento se habrá completado.
Nota: Si aún no se ha completado el precalentamiento, al presionar el botón de 1 taza, 2 tazas o café manual, la bomba no funcionará; si desea vapor, presione el botón de vapor.
5. Presione el botón de café manual. La unidad bombeará agua durante aproximadamente 30 segundos. Vierta el agua en una taza y luego limpie a fondo, el aparato ya está listo para hacer café.
Nota: Puede escuchar ruidos cuando bombee agua por primera vez. Esto es normal, el aparato está liberando el aire que había en su interior. Después de unos 20 segundos el ruido finalizará.
Nota: Antes del primer uso, el indicador del botón parpadeará rápidamente, esto es una alarma que indica que no hay agua en el calentador. Mantenga presionado el botón de café manual hasta que la bomba deje de funcionar y la alarma se desactive. Después de esto, ya puede comenzar a preparar café.

Precalentamiento

Para preparar una buena taza de café espresso se recomienda precalentar el aparato, incluyendo el embudo, el filtro y la taza, para que las partes frías no afecten el sabor del café.

1. Retire el depósito de agua desmontable y abra la tapa para llenarlo con la cantidad deseada de agua; no exceda la marca «MAX» que se encuentra en el depósito. Vuelva a colocar el depósito en su lugar
2. Coloque el filtro de acero (sin café) en el embudo de metal, asegúrese de que el tubo del embudo esté alineado con la ranura del aparato, luego inserte el embudo en el aparato desde la posición «INSERT» y fíjelo firmemente en la cafetera girándolo en sentido antihorario hasta alcanzar la posición «LOCK».
3. Coloque una taza para café espresso sobre la rejilla extraíble.
4. Luego, conecte el aparato a una fuente de alimentación. Asegúrese de que el control de vapor esté en la posición de apagado (OFF).
5. Presione el botón de encendido. El indicador de encendido se iluminará en blanco; los indicadores de los botones de 1 taza, 2 tazas y café manual parpadearán; la máquina comenzará a precalentarse. Cuando todos los indicadores estén encendidos de forma fija, el proceso de precalentamiento se habrá completado. Presione el botón de café manual; la máquina bombeará agua. Cuando comience a salir agua, presione nuevamente el botón de café manual para dejar de bombear inmediatamente. El propósito de este paso es bombear agua desde el depósito de agua hacia la caldera.
6. Cuando el indicador del botón de café se ilumina, indica que el precalentamiento ha terminado

Hacer café espresso

1. Retire el embudo girándolo en sentido horario. Agregue café molido en el filtro de acero usando la cuchara medidora. Para una taza de café necesitará aproximadamente una cucharada. Presione firmemente el café molido con el empujador.
2. Coloque el filtro de acero (sin café) en el embudo de metal, asegúrese de que el tubo del embudo esté alineado con la ranura del aparato, luego inserte el embudo en el aparato desde la posición «INSERT» y fíjelo firmemente en la cafetera girándolo en sentido antihorario hasta alcanzar la posición «LOCK».
3. Coloque una taza sobre la rejilla extraíble.
4. Una vez completado el precalentamiento, presione el botón de 1 taza o 2 tazas; la cafetera comenzará a trabajar. El tiempo de preparación de 1 taza de café es de 15 segundos y para 2 tazas, 25 segundos. Si desea otra cantidad de café, presione el botón de café manual una vez hasta obtener la cantidad deseada, presione el botón nuevamente para detener la cafetera. Con el botón de café manual, el tiempo máximo de trabajo es 90 segundos; la unidad dejará de funcionar automáticamente si no hay ninguna operación dentro de los 90 segundos.
5. En ese momento, el indicador del botón de café debe estar encendido. Si se apaga, espere un momento y cuando se ilumine nuevamente, presione el botón de café correspondiente y espere un momento. El café comenzará a salir.
6. Presione el botón una vez que obtenga la cantidad deseada de café o cuando el color del café comience a aclararse. La cafetera dejará de funcionar. Si el indicador del botón de café se apaga, espere un momento hasta que se ilumine nuevamente, y ya podrá continuar haciendo café.
7. Mantenga presionado el botón de 1 taza durante 3 segundos, el botón parpadeará. Ingrese al modo de configuración, presione el botón de 1 taza nuevamente para comenzar a servir café. Cuando alcance el tiempo especificado, presione el botón de 1 taza para completar la configuración que será memorizada por la unidad. La duración del trabajo para 1 taza de café se puede configurar hasta 45 s, al establecer la duración del trabajo para 1 taza de café, la duración para 2 tazas se actualizará automáticamente multiplicando por 2 la de 1 taza. La duración del trabajo para 2 tazas se puede configurar hasta 90 segundos. Si establece la duración del trabajo para 2 tazas, la duración para 1 taza se actualizará automáticamente a la mitad de la duración para 2 tazas.
ADVERTENCIA: ¡No deje la cafetera sin supervisión mientras prepara café, ya que algunas operaciones deben realizarse manualmente!
8. Después de terminar de preparar el café, retire el embudo de metal girándolo en sentido horario. Vierta los residuos de café presionando el filtro de acero.
9. Deje enfriar por completo, y luego enjuague con agua corriente.

Agua caliente

Cuando la cafetera esté precalentada, gire el control de vapor para liberar agua caliente y presione el botón de café manual para iniciar la preparación de agua caliente. Presione nuevamente el botón de café manual y cierre el control de vapor para terminar de preparar el agua caliente.

Hacer capuchino/leche espumosa

Si añade espuma de leche sobre un café espresso, obtendrá una taza de capuchino.

Método:

1. En primer lugar, prepare el espresso en un recipiente lo suficientemente grande siguiendo los pasos de la sección «HACER CAFÉ ESPRESSO». Asegúrese de que el control de vapor esté en la posición de apagado (OFF).
2. Presione el botón de vapor, el indicador del botón de café se apagará. Espere hasta que se ilumine el indicador del botón de vapor.
Nota: Durante el funcionamiento, el indicador del botón de vapor se encenderá y se apagará para mantener la temperatura deseada.

3. Coloque en una jarra unos 100 ml de leche por cada cappuccino que desee preparar; se recomienda utilizar leche entera a temperatura del refrigerador (¡no use leche caliente!).
Nota: Se recomienda elegir una jarra de un diámetro no inferior a 70 ± 5 mm; tenga en cuenta que la leche duplica su volumen, asegúrese de que la jarra sea lo suficientemente alta.
4. Gire el control de vapor lentamente en sentido antihorario, saldrá vapor por la boquilla de espuma.
Nota: Nunca gire el control de vapor rápidamente, ya que el vapor se acumulará rápidamente y esto puede aumentar el riesgo de explosión.
5. Inserte la boquilla de espuma en la leche unos dos centímetros, haga espuma con la leche moviendo el recipiente hacia arriba y hacia abajo.
6. Cuando alcance el resultado deseado, gire el control de vapor a la posición de apagado (OFF).
Nota: Limpie la salida de vapor con una esponja húmeda inmediatamente después de que deje de emitir vapor, ¡tenga cuidado de no quemarse!
7. Vierta la espuma de leche sobre el espresso preparado, y ya tiene su capuchino. Endulce a gusto y, si lo desea, espolvoree un poco de cacao sobre la espuma.
8. Presione el botón de encendido para apagar. Todos los indicadores se apagarán.
9. Cuando la función de vapor se utiliza durante más de 180 segundos ininterrumpidos, el indicador de vapor parpadeará rápidamente en señal de alarma. En ese caso, presione el botón de café para enfriar la cafetera, que podrá reanudar el modo de espera después de enfriarse hasta su temperatura normal.
Nota: Si desea preparar café inmediatamente después de hacer vapor, el indicador de café parpadeará para emitir una alarma cuando presione el botón de café. En ese momento debe girar el control de vapor hasta la posición de encendido (ON) para bombear agua caliente y permitir que la unidad se enfríe.

Función de apagado automático

Si no se realiza ninguna operación dentro de un lapso de 25 minutos, la unidad se apagará automáticamente.

Limpieza y mantenimiento:

1. Apague la cafetera y deje que se enfríe completamente antes de limpiarla.
2. Limpie la carcasa de la cafetera con frecuencia utilizando una esponja a prueba de humedad. También debe limpiar y secar con frecuencia el depósito de agua, la bandeja de goteo y la rejilla extraíble.
Nota: No limpie la cafetera con alcohol o productos de limpieza que contengan disolventes. Nunca sumerja la carcasa en agua para limpiarla.
3. Separe el embudo de metal girándolo en sentido horario, elimine los residuos de café de su interior, límpielo con un producto de limpieza y enjuáguelo con agua limpia.
4. Limpie todos los accesorios con agua y séquelos bien al finalizar.
5. Cuando la máquina cumpla 500 ciclos de funcionamiento (incluyendo café, vapor y otras funciones), todos los indicadores parpadearán rápidamente 5 veces al completar el precalentamiento, para recordarle que debe descalcificar el aparato. Si no lo hace en ese momento, esto se repetirá cada hora mientras usa la cafetera. En estado de espera, presione simultáneamente el botón de café manual y el botón de 2 tazas durante 3 segundos; los dos indicadores parpadearán rápidamente 3 veces, para recordarle que debe cancelar la descalcificación; el número de ciclos de funcionamiento volverá a cero.

Limpeza de depósitos minerales

1. Para asegurarse de que su cafetera funcione de manera eficiente, las tuberías internas estén limpias y el café tenga el mejor sabor, cada 2-3 meses deberá limpiar los depósitos minerales que se forman.
2. Llene el depósito con agua y descalcificador hasta el nivel MAX (la relación de agua y descalcificador debe ser de 4:1, vea las instrucciones de uso del descalcificador). Por favor, utilice un «descalcificador doméstico»; también puede utilizar ácido cítrico (que puede obtener en farmacias o droguerías) en lugar del descalcificador (cien partes de agua por tres partes de ácido cítrico).
3. Al igual que cuando utiliza el programa de precalentamiento, coloque el embudo de metal (sin café) y la jarra en su lugar. Prepare agua como en el proceso «PRECALENTAMIENTO».
4. Presione el botón de encendido, el indicador de encendido se iluminará; presione el botón de café y asegúrese de que el control de vapor esté en la posición de apagado (OFF). Cuando salga agua, presione el botón de café para detener el bombeo y espere un momento, la cafetera comenzará el proceso de precalentamiento.
5. Cuando el indicador del botón de café se ilumina, indica que el precalentamiento ha terminado. Presione el botón de café y prepare dos tazas de café (aproximadamente 2 oz o 60 g). Presione nuevamente el botón de café para detener el bombeo.
6. Presione el botón de vapor, el indicador del botón de café se apagará. Espere hasta que se ilumine el indicador del botón de vapor. Haga vapor durante 2 minutos girando el control de vapor, luego gire el control de vapor hasta la posición de apagado (OFF) para dejar de producir vapor. Presione el botón de encendido para apagar la unidad inmediatamente, deje actuar el descalcificador dentro de la unidad durante un mínimo de 15 minutos.
7. Presione el botón de encendido para reiniciar la unidad. Espere hasta que el indicador del botón de café se ilumine, luego presione el botón de café para dejar salir el líquido hasta que ya no haya descalcificador.
8. Llene el depósito con agua del grifo hasta el nivel MAX, repita 3 veces los pasos 4 a 6, luego deje salir el líquido hasta vaciar el depósito.

Solución de problemas

Síntoma	Causa	Correcciones
Las piezas metálicas del depósito tienen óxido.	El descalcificador que utiliza no es del tipo recomendado. Puede corroer las partes metálicas del depósito.	Utilice el descalcificador recomendado por el fabricante.
Sale agua por debajo de la cafetera.	Hay demasiada agua en la bandeja de goteo.	Limpie la bandeja de goteo.
	La cafetera no funciona correctamente.	Póngase en contacto con el servicio posventa autorizado para repararla.
Sale agua por la parte externa del filtro.	Hay restos de café en el borde del filtro.	Elimínelo.
El café espresso tiene un sabor ácido (avinagrado).	No ha limpiado correctamente el aparato después de eliminar los depósitos de minerales.	Limpie varias veces la cafetera como se indica en la sección «Antes del primer uso».
	Ha almacenado el café en un lugar caliente y húmedo durante mucho tiempo. El café molido se estropea.	Use café recién molido o conserve el café molido sin utilizar en un lugar fresco y seco. Después de abrir un paquete de café molido, vuelva

		a precintarlo herméticamente y guárdelo en el refrigerador para conservar su frescura.
La cafetera ya no funciona.	El aparato no está bien enchufado.	Enchufe correctamente el cable de alimentación a una toma de corriente. Si el aparato sigue sin funcionar, póngase en contacto con el servicio posventa autorizado para repararla.
El vapor no produce espuma.	El indicador de vapor no está iluminado.	Solo después de que se ilumina el indicador de vapor, puede usar el vapor para hacer espuma.
	El recipiente es demasiado grande o no tiene una forma adecuada.	Utilice un recipiente alto y estrecho.
	Ha utilizado leche desnatada.	Use leche entera o semidesnatada.

Este equipo está etiquetado de conformidad con la Directiva europea 2012/19/EC sobre residuos de aparatos eléctricos y electrónicos – WEEE. Esta Directiva especifica los requisitos vigentes para la recolección y manipulación de residuos de aparatos eléctricos y electrónicos en toda la Unión Europea.

MEDIO AMBIENTE

Al finalizar la vida útil del aparato, no lo deseche junto con la basura doméstica común. Llévelo a un centro de reciclaje autorizado. De esta manera, estará colaborando con la preservación del medioambiente.

GARANTÍA Y REPARACIÓN

Si desea obtener más información o tiene un problema con su producto, comuníquese con el Centro de Atención Telefónica de Gorenje de su país (el número de teléfono figura en la hoja de garantía internacional). Si no existe dicho centro en su país, póngase en contacto con el distribuidor local de Gorenje o con el departamento de pequeños electrodomésticos de Gorenje.

¡Solo para uso personal!

HISENSE

LE DESEA NUMEROSOS MOMENTOS PLACENTEROS USANDO SU APARATO.

Importante

Antes de usar o aparelho, por favor leia atentamente este manual do utilizador e guardar para consultas futuras.

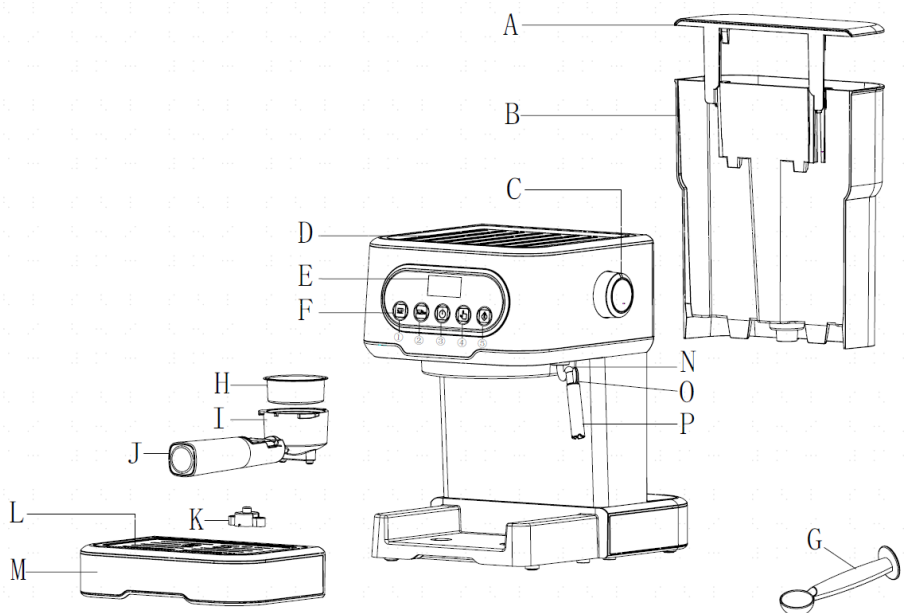
Precauções de segurança

Antes de usar o aparelho elétrico, devem ser cumpridas as precauções básicas, incluindo o seguinte:

1. Leia todas as instruções.
2. Antes de usar, deve verificar se a tensão da tomada corresponde à tensão nominal marcada na placa de identificação.
3. Este aparelho está equipado com uma ficha com ligação à terra. Por favor assegurar que a tomada de parede tem uma ligação à terra adequada.
4. Para proteger contra incêndios, choques elétricos e lesões pessoais, não mergulhar o fio, ficha ou a unidade em água, ou qualquer outro líquido.
5. Antes de limpar ou quando não usar o aparelho, deve desligar a ficha da tomada. Deve deixar o aparelho arrefecer completamente antes de limpar ou de montar componentes.
6. Não deve usar um aparelho com o fio ou ficha elétrica danificados. No caso de aparelho avariar, ou se o deixar cair, ou se ficar danificado de outra forma, por favor devolva o aparelho ao centro de assistência técnica mais próximo para inspeção, reparação ou ajustamentos elétricos ou mecânicos.
7. Usar acessórios não recomendados pelo fabricante do aparelho pode resultar em incêndio, choques elétricos ou lesões.
8. O aparelho deve ficar colocado sobre uma superfície plana ou uma mesa; não pendurar o fio elétrico na borda de uma mesa ou banca.
9. Assegurar que o fio elétrico não toca nas superfícies quentes da máquina.
10. Para evitar danos, não deve colocar a máquina de café próximo ou ao lado de uma superfície quente, nem ao lado de uma lareira.
11. Para desligar, retirar a ficha da tomada de parede. Assegurar que puxa pela ficha e não pelo fio elétrico.
12. Não usar o aparelho para outra finalidade exceto o uso previsto indicado; colocar num ambiente seco.
13. Se o aparelho vai ser usado por ou próximo de crianças, é necessário vigiar atentamente.
14. Ter atenção para não se queimar com o vapor.
15. Não deve tocar nas superfícies quentes do aparelho. Deve usar a alavanca ou os botões.
16. Não usar a máquina de café sem água.
17. Não desmontar o funil de metal enquanto o aparelho está a preparar um café ou ao soltar vapor.

18. Antes de usar, ligar a ficha a uma tomada de parede e desligar o aparelho antes de desligar a ficha da tomada de parede.
19. Este aparelho pode ser usado por crianças com mais de 8 anos de idade, assim como pessoas com capacidades físicas, sensoriais ou mentais reduzidas ou com falta de experiência e conhecimentos, apenas com supervisão ou se receberam instruções sobre como usar o aparelho de forma segura e compreendem os perigos envolvidos. Não permitir que crianças brinquem com o aparelho. A limpeza e a manutenção não devem ser efetuadas por crianças a não ser que tenham mais de 8 anos e sejam supervisionadas.
20. Supervisionar as crianças para não brincarem com o aparelho.
21. A temperatura ambiente de operação ou armazenamento deve ser superior a 0°C.
22. Este aparelho deve ser usado em residências e ambientes semelhantes, como:
- área de cozinha para o pessoal em lojas, escritórios ou outros ambientes de trabalho;
 - quintas agrícolas;
 - por clientes em hotéis, motéis e outros ambientes do tipo residencial;
 - ambientes do tipo alojamento local.
23. Não usar ao ar livre.
24. Guardar estas instruções.
25. Se a máquina vai ficar guardada durante um período mais prolongado, é necessário ligar e soltar o vapor durante 3 minutos antes de a guardar.
26. Se ocorrer um corte de energia durante a emissão de vapor, a máquina vai continuar a emitir vapor durante muito tempo. O produto para de soltar vapor quando o botão de vapor é desligado.

Conheça a sua máquina de café



- A. Tampa do depósito de água
- B. Depósito de água
- C. Botão de controlo de vapor
- D. Tampa superior
- E. Visor
- F. Painel de controlo (① Botão para 1 chávena de café ② Botão para 2 chávenas de café ③ Botão de ligar/desligar ④ Botão manual de café ⑤ Botão de vapor)

- G. Colher de medição
- H. Rede de aço
- I. Funil de metal
- J. Alavanca do funil
- K. Tampa flutuante
- L. Prateleira removível para chávenas
- M. Tabuleiro de recolha de gotas
- N. Alavanca da saída de vapor
- O. Varinha de vapor
- P. Bico de espuma

Antes de usar pela primeira vez

Para assegurar um café com um excelente sabor desde a primeira chávena, é necessário lavar a máquina de café da seguinte forma:

1. Abrir a tampa do depósito de água, encher o depósito com água; o nível de água não deve exceder a marca MAX no depósito de água. Colocar depois a tampa no depósito de água.
Nota: o aparelho é fornecido com um depósito de água destacável para facilitar a limpeza; pode primeiro encher o depósito de água com água e encaixar depois na máquina.
2. Colocar a rede de aço no funil de metal (sem café na rede de aço); assegurar que o tubo do funil está alinhado com a ranhura na máquina e depois encaixar o funil na máquina na posição INSERT; rodar com firmeza para a esquerda para fixar até a máquina de café estar na posição LOCK.
3. Colocar um jarro na prateleira das chávenas removível. Assegurar que o botão de controlo de vapor está desligado.
4. Ligar à corrente, premir o botão de potência, o indicador de potência acende a branco. Os indicadores do botão de 1 chávena, botão de 2 chávenas, botão manual de café e botão de vapor ficam a piscar; a máquina inicia o pré-aquecimento. Quando todas as luzes de indicação estão fixas, o pré-aquecimento está concluído.
Nota: a bomba não funciona antes de o pré-aquecimento estar concluído nem se premir o botão de 1 chávena, botão de 2 chávenas, botão manual de café; se pretender vapor, premir o botão de vapor.
5. Premir o botão manual de café; a unidade bomba água durante cerca de 30 segundos. Deitar fora a água na chávena, limpar muito bem. A máquina está agora pronta para fazer um café.
Nota: pode haver ruído ao bombear água pela primeira vez; é normal dado que o aparelho está a soltar o ar do seu interior. O ruído para depois de 20 segundos.
Nota: antes de usar a primeira vez, o botão fica a piscar rapidamente para alertar que o depósito não tem água. Manter premido o botão manual de café até a bomba parar de funcionar e alarme ser desativado. A operação de fazer o café pode agora começar.

Pré-aquecimento

Para fazer um bom café expresso quente, recomendamos pré-aquecer a máquina antes de começar a fazer o café, incluindo funil de metal, rede de aço e chávena, para que o sabor do café não seja influenciado pelas peças frias.

1. Retirar o depósito de água destacável e abrir a tampa do depósito para encher com água; o nível de água não pode exceder a marcação MAX no depósito. Voltar a encaixar o depósito de água.
2. Colocar a rede de aço no funil de metal; assegurar que o tubo do funil está alinhado com a ranhura na máquina e depois encaixar o funil na máquina na posição INSERT; rodar com firmeza para a esquerda para fixar até a máquina de café estar na posição LOCK.
3. Colocar uma chávena de café expresso na prateleira removível para chávenas.
4. Ligar depois o aparelho à corrente. Assegurar que o botão de controlo de vapor está desligado.
5. Ao premir o botão de ligar/desligar, o indicador de potência acende a branco, depois os indicadores de 1 chávena, 2 chávenas e botão manual de café ficam a piscar e a máquina começa o pré-aquecimento. Quando todos os indicadores deixarem de piscar, significa que o pré-aquecimento está concluído. Premir o botão manual de café, a máquina bombeia a água e premir novamente para a máquina parar de bombear água. O objetivo deste passo é bombear a água do depósito de água para a caldeira.
6. Quando o indicador do botão de café está aceso, indica que o pré-aquecimento terminou

Fazer um café expresso

1. Rodar o funil para a direita para o remover. Deitar café moído na rede de aço com uma colher de medição, uma colher de café em pó pode fazer cerca de uma chávena de café de alta qualidade; prensar bem o café moído com a prensa.
2. Colocar a rede de aço no funil de metal; assegurar que o tubo do funil está alinhado com a ranhura na máquina e depois encaixar o funil na máquina na posição INSERT; rodar com firmeza para a esquerda para fixar até a máquina de café estar na posição LOCK.
3. Colocar uma chávena na prateleira de chávenas removível.
4. Depois de o pré-aquecimento estar concluído, premir o botão para 1 ou 2 chávenas de café; a máquina começa a funcionar. Para 1 chávena de café, demora 15 segundos e para 2 chávenas de café, 25 segundos. Premir novamente o botão manual de café quando atingir a quantidade desejada, se pretender escolher o volume de café. O tempo de operação do botão manual de café é de 90 segundos; a unidade para automaticamente se não houver nenhuma operação em 90 segundos.
5. No caso de o indicador do botão de café não acender, aguardar um momento; quando acender novamente, premir o botão de café correspondente, aguardar um momento e o café começar a sair.
6. Premir o botão de café quando obter a quantidade de café desejada, ou se a cor do café ficar mais fraca, a máquina de café para de funcionar. Se o indicador do botão não acender, aguardar um momento até o indicador do botão de café acender para continuar a fazer um café.
7. Manter premido durante 3 segundos o botão para 1 chávena, que fica a piscar enquanto acede ao modo de configurações; premir novamente o botão de 1 chávena para começar a servir o café. Quando atingir o tempo especificado, premir o botão de 1 chávena para terminar a configuração, que pode ficar memorizada na máquina. A duração da preparação de 1 chávena de café pode ser definida para 45 segundos. Depois de a duração da preparação estar definida para 1 chávena de café, a duração da preparação para 2 chávenas de café é automaticamente atualizada para o dobro do tempo de 1 chávena de café. A duração da preparação para 2 chávenas de café pode ser definida até 90 segundos; depois de estar definida, a duração de preparação para 1 chávena de café é automaticamente atualizada para metade da duração de 2 chávenas.
AVISO: não deve deixar a máquina de café sem vigilância durante a preparação do café, pode ser necessário intervir manualmente!
8. Depois de terminar a preparação do café, rodar o funil de metal para a direita para o remover e descartar os resíduos de café prensados na rede de aço.
9. Deixar arrefecer completamente e depois passar por água da torneira.

Aquecer água

Quando a máquina estiver pré-aquecida, rodar o botão do vapor para soltar a água quente e premir depois o botão manual de café para iniciar a preparação da água quente. Premir novamente o botão manual de café e fechar o botão do vapor para terminar a preparação da água quente.

Fazer um cappuccino/leite com espuma

Pode fazer um cappuccino adicionando espuma de leite a um café expresso.

Método:

1. Preparar o café expresso com uma chávena que seja o suficientemente grande para a peça MAKE ESPRESSO. Assegurar que o botão de controlo de vapor está desligado.
2. Premir o botão de vapor, o indicador do botão de café apaga; aguardar até o indicador do botão de vapor acender.
Nota: durante a operação, o indicador do botão de vapor liga e desliga para manter a temperatura desejada.
3. Encher um jarro com cerca de 100 ml de leite para cada cappuccino a preparar, recomendamos usar leite gordo na temperatura do frigorífico (não quente!).

Nota: Na escolha do tamanho do jarro, recomendamos que o diâmetro não seja inferior a 70 ± 5 mm e lembre-se que o leite aumenta de volume para o dobro; verificar se o jarro tem altura suficiente.

4. Rodar lentamente o botão de controlo de vapor para a esquerda, o vapor começa a sair do bico de espuma
Nota: não deve rodar rapidamente o botão de controlo de vapor, dado que o vapor acumula em pouco tempo, o que pode aumentar o risco de uma potencial explosão.
5. Enfiar o bico de espuma cerca de dois centímetros no leite e mover o jarro para cima e para baixo para espumar o leite.
6. Quando alcançar o resultado desejado, rodar o botão de controlo de vapor para a posição OFF.
Nota: limpar a saída do vapor com uma esponja húmida logo a seguir ao vapor terminar, mas deve ter cuidado para não danificar!
7. Deitar o leite com espuma no café expresso preparado e o cappuccino está pronto. Adoçar a gosto e se desejar pode polvilhar a espuma com um pouco de cacau em pó.
8. Premir o botão de ligar/desligar para desligar a energia. Todos os indicadores apagam.
9. Quando a função de vapor é operada mais de 180 segundos numa única operação contínua, o indicador de vapor pisca rapidamente para alertar. Neste caso, premir o botão de café para arrefecer e a máquina volta ao modo de standby depois de arrefecer até à temperatura normal.
Nota: Se pretender fazer um café logo a seguir a fazer vapor, quando premir o botão de café o indicador fica a piscar para alertar. Para continuar, deve colocar o botão de controlo de vapor para a posição ON para bombear água quente e deixar a máquina arrefecer.

Função de desligamento automático

Se durante 25 minutos não houver nenhuma operação a máquina desliga automaticamente.

Limpeza e manutenção:

1. Desligar a máquina de café e deixar arrefecer completamente antes de limpar.
2. Limpar com frequência a caixa da máquina de café com uma esponja húmida; limpar também regularmente o depósito de água, tabuleiro de gotas e prateleira de chávenas removível e deixar secar.
Nota: não limpar com álcool ou produtos de limpeza diluentes. Nunca mergulhar a caixa em água para limpar.
3. Rodar o funil de metal para a direita para o remover, descartar resíduos de café no seu interior e depois lavar com detergente e passar bem por água.
4. Limpar todos os acessórios com água e deixar secar bem.
5. Depois de 500 ciclos de funcionamento da máquina (incluindo café, vapor e outras funções), todos os indicadores acendem 5 vezes em simultâneo depois de concluir o pré-aquecimento para não se esquecer do anticalcário; isto é repetido cada vez que usar a máquina. Em modo de standby, manter premidos durante 3 segundos o botão manual de café e o botão de 2 chávenas. Os dois indicadores acendem 3 vezes para lembrar que deve parar a desincrustação. O número de ciclos de funcionamento volta a zero.

Limpar os depósitos de minerais

1. Limpar e remover os depósitos de minerais cada 2 a 3 meses para assegurar que a máquina de café funciona eficazmente, com os tubos limpos e um café com um excelente sabor.
2. Encher o depósito com água e anticalcário até ao nível MAX (a proporção de água e descalcificador é 4: 1); consultar as instruções do anticalcário para confirmar este dado. Deve usar um anticalcário doméstico; pode também usar ácido cítrico (disponível em drogas) em vez de anticalcário (100 partes de água para três partes de ácido cítrico).
3. Colocar o funil de metal (sem pó de café) e o jarro, de acordo com o programa de pré-aquecimento. Ferver a água de acordo com PREHEATING.

4. Premir o botão de ligar/desligar, o indicador acende; premir o botão de café, verificar se o botão de controlo de vapor está na posição desligada. Depois de a água começar a fluir, premir o botão de café para parar a bomba. Aguardar um momento, a máquina de café está pronta para começar o pré-aquecimento
5. Quando o indicador do botão de café acender, indica que o pré-aquecimento terminou. Premir o botão de café e fazer duas chávenas de café (cerca de duas onças). Premir o botão de café para parar a bomba.
6. Premir o botão de vapor, o indicador do botão de café apaga; aguardar até o indicador do botão de vapor acender. Rodar o botão de controlo de vapor para deixar o vapor sair durante 2 minutos. Rodar depois o botão de controlo de vapor para a posição OFF para parar o vapor. Premir o botão de potência para desligar a unidade; deixar o depósito de anticalcário no interior da máquina durante pelo menos 15 minutos.
7. Premir o botão de ligar/desligar para voltar a ligar a máquina. Aguardar até o indicador do botão de café acender e premir para fluir até esgotar a mistura de anticalcário.
9. Ferver com água da torneira até ao nível MAX. Repetir os passos 4-6 mais três vezes até não haver mais água no depósito.

Solucionar falhas simples

Sintoma	Causa	Correção
As peças de metal do depósito estão enferrujadas.	O anticalcário usado não é do tipo recomendado. Pode oxidar as peças de metal do depósito.	Use o anticalcário recomendado pelo fabricante.
Fugas de água do fundo da máquina de café	O tabuleiro de recolha de gotas está cheio de água.	Limpar o tabuleiro de recolha de gotas.
	A máquina de café não funciona corretamente.	Por favor contactar a assistência técnica autorizada para reparações.
Fuga de água no lado exterior do filtro.	Há algum café em pó na borda do filtro.	Descartar o resíduo de café.
O café expresso tem um sabor ácido (vinagre).	A limpeza de depósitos de minerais não foi feita corretamente.	Limpar a máquina de café várias vezes conforme descrito em <i>Antes da primeira utilização</i> .
	O café em pó fica guardado num local quente e húmido durante muito tempo. O café em pó fica estragado.	Deve usar o café em pó acabado de moer, ou guardar o café em pó não usado num local fresco e seco. Voltar a selar um pacote de café em pó depois de abrir e guardar no frigorífico para ficar fresco.
A máquina de café parou de funcionar.	A ficha elétrica não está bem ligada.	Ligar o fio elétrico corretamente a uma tomada de parede. Se a máquina continuar sem funcionar, por favor contactar a assistência técnica autorizada para reparações.
O vapor não faz espuma.	O indicador de vapor não acende.	É possível usar o vapor para fazer espuma apenas depois de o indicador de vapor acender.
	O recipiente é muito grande ou a forma não encaixa.	Deve usar um recipiente mais alto e mais estreito.
	Usou leite magro	Deve usar leite gordo ou meio-gordo

Este equipamento tem uma marcação em conformidade com a diretiva europeia 2012/19/CE sobre resíduos de equipamentos elétricos e eletrónicos – REEE. Esta diretiva especifica os requisitos de recolha e gestão de resíduos de equipamentos elétricos e eletrónicos em vigor em toda a União Europeia.

MEIO-AMBIENTE

Não descartar este produto com os resíduos domésticos quando atingir o fim da sua vida útil. Por favor entregar a centro de reciclagem autorizado, para ajudar a preservar o meio-ambiente.

GARANTIA E REPARAÇÕES

Para mais informações ou em caso de problemas, por favor contactar o Gorenje Call Center no seu país (o número de telefone está listado na Ficha de Garantia Internacional). Se não há um centro no seu país, por favor contactar o revendedor local da Gorenje, ou o departamento de pequenos eletrodomésticos da Gorenje.

Apenas para uso pessoal!

**A HISENSE
ESPERA QUE DESFRUTE MUITO DO SEU ELETRODOMÉSTICO.**

Vigtigt

Læs denne brugervejledning grundigt, inden du tager apparatet i brug, og gem den til fremtidig reference

Sikkerhedsadvarsler

Inden det elektriske apparat tages i brug, skal følgende grundlæggende forholdsregler altid overholdes:

1. Læs hele vejledningen.
2. Inden brug skal du kontrollere, at spændingen i din stikkontakt svarer til den nominelle spænding, der er angivet på typeskiltet.
3. Dette apparat er udstyret med et jordforbundet stik. Sørg for, at stikkontakten i dit hjem er jordnet korrekt.
4. For at beskytte mod brand, elektrisk stød og personskaade må ledningen eller stikket ikke nedsænkes i vand eller anden væske.
5. Tag stikket ud af stikkontakten før rengøring, og når apparatet ikke er i brug. Lad apparatet køle helt af, før du af- eller påmonterer komponenter eller før rengøring.
6. Brug ikke apparater med beskadiget ledning eller stik. Hvis apparatet ikke fungerer korrekt eller tabes eller beskadiges på en eller anden måde, skal det sendes til nærmeste autoriserede serviceværksted for eftersyn, reparation eller elektrisk eller mekanisk justering.
7. Brug af tilbehør, som ikke anbefales af producenten af apparatet, kan medføre brand, elektrisk stød eller personskaade.
8. Placer apparatet på en flad overflade eller et bord, og lad ikke netledningen hænge ud over kanten på et bord eller en disk.
9. Sørg for, at netledningen ikke berører en varm overflade på apparatet.
10. For at undgå skader må du ikke placere kaffebryggeren på en varm overflade eller i nærheden af en brand.
11. Tag stikket ud af stikkontakten for at afbryde forbindelsen. Når du tager stikket ud, skal du altid sørge for at trække i stikket og ikke i ledningen.
12. Brug ikke apparatet til andet, end det er beregnet til, og anbring det i et tørt miljø.
13. Tæt overvågning er nødvendig, når apparatet bruges i nærheden af børn.
14. Pas på ikke at blive brændt af dampen.
15. Rør ikke ved apparatets varme overflade. Brug håndtaget eller knapperne.
16. Lad ikke kaffebryggeren fungere uden vand.
17. Fjern ikke metalltragten, når apparatet brygger kaffe, eller når der frigives damp.
18. Slut stikket til en stikkontakt før brug, og sluk for apparatet, inden stikket tages ud af stikkontakten.

19. Apparatet må bruges af børn over 8 år og af personer med nedsat fysisk, sensorisk eller mental kapacitet eller manglende erfaring med og viden om produktet, hvis de holdes under opsyn eller har fået vejledning i at bruge apparatet på en sikker måde og forstår de involverede risici. Børn må ikke lege med apparatet. Rengøring og brugervedligeholdelse må ikke foretages af børn, medmindre de er over 8 år og under opsyn.

20. Hold børn under opsyn, og lad dem ikke lege med apparatet.

21. Omgivelsestemperatur under drift eller opbevaring skal være mere end 0 °C.

22. Dette apparat er beregnet til at blive brugt i husholdninger og lignende miljøer såsom:

- personalekøkkener i butikker, på kontorer og i andre arbejdsmiljøer
- landbrugsbedrifter
- hotel- og motelgæster samt i andre typer beboelsesmiljøer
- bed & breakfast o.lign.

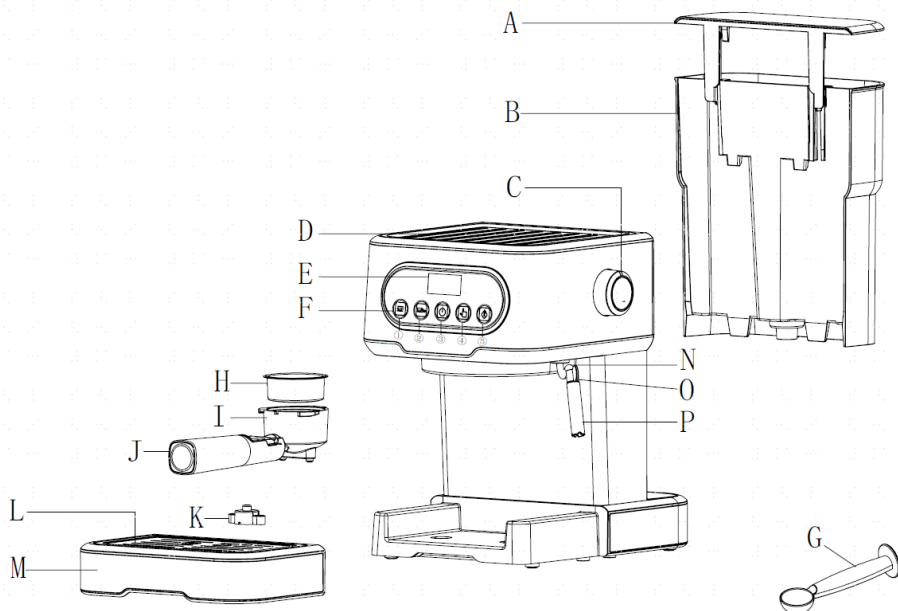
23. Må ikke bruges udendørs.

24. Gem denne vejledning.

25. Hvis du ikke vil bruge produktet i lang tid, skal du tænde for strømmen og derefter frigive damp i 3 minutter, før du gemmer produktet.

26. Hvis strømmen afbrydes under frigivelse af damp, vil restvarme få produktet til at fortsætte med at frigive damp i længere tid. Produktet stopper med at frigive damp med det samme, når du slukker for dampknappen.

Lær din kaffebrygger at kende



- A. Dæksel til vandtank
- B. Vandtank
- C. Betjeningsknap til damp
- D. Låg
- E. Display
- F. Kontrolpanel (①Knap til 1 kop kaffe②Knap til 2 kopper kaffe③Tænd/sluk-knap④Kaffeknap med manuel betjening⑤Dampknap)
- G. Måleske

- H. Stålnet
- I. Metalltragt
- J. Håndtag, tragt
- K. Flyderdæksel
- L. Aftagelig kophylde
- M. Drypbakke, skumdyse
- N. Håndtag til dampgennemstrømning
- O. Dampstang
- P. Skumdyse

Før du bruger apparatet første gang

For at sikre, at den første kop kaffe er velsmagende, skal du skylle kaffebryggeren med varmt vand på følgende måde:

1. Åbn dækslet til vandtanken, fyld vand i vandtanken. Vandniveauet må ikke overstige mærket "MAX" i vandtanken. Sæt derefter vandtankens dæksel på igen.
Bemærk: Apparatet leveres med en aftagelig vandtank, hvilket gør rengøring nem. Du kan først fylde vandtanken med vand og derefter sætte vandtanken i apparatet.
2. Sæt stålnettet i metaltragten (kom ikke kaffe i stålnettet). Sørg for, at røret på tragten flugter med rillen i apparatet. Skub derefter tragten ind i apparatet fra "INSERT"-positionen, og fastgør den i kaffebryggeren ved at dreje den mod uret, indtil den er i positionen "LOCK".
3. Sæt en kande på den aftagelige kophylde. Sørg for, at betjeningsknappen til damp er i OFF-positionen.
4. Slut til strømkilde, tryk på tænd/sluk-knappen. Strømindikatoren lyser hvidt. Indikatorerne for knappen for 1 kop kaffe, knappen for 2 kopper kaffe, manuel kaffeknap og dampknap blinker, og maskinen begynder at forvarme. Når alle indikatorerne lyser permanent, er forvarmningen afsluttet.
Bemærk: Hvis forvarmningen endnu ikke er afsluttet, skal du trykke på knappen for 1 kop kaffe, knappen for 2 kopper kaffe eller den manuelle kaffeknap. Pumpen virker ikke. Hvis du vil lave damp, skal du trykke på dampknappen.
5. Tryk på den manuelle kaffeknap: Enheden pumper vand i ca. 30 sekunder. Hæld vand ud i koppen og rengør den grundigt. Nu er apparatet klar til at lave kaffe.
Bemærk: Der kan være støj, når der pumpes vand for første gang. Det er normalt, at apparatet frigiver luften inde i maskinen. Efter ca. 20 sekunder forsvinder støjen.
Bemærk: Inden første brug blinker knapindikatoren hurtigt, hvilket indikerer en alarm, fordi der ikke er vand i kedlen. Tryk på den manuelle kaffeknap, og hold den inde, indtil pumpen holder op med at arbejde, og alarmen er deaktiveret. Derefter kan kaffebrygningen startes.

Forvarmning

For at lave en kop god varm espressokaffe, anbefaler vi, at du forvarmer apparatet, før du laver kaffe, herunder metaltragten, stålnettet og koppen, så kaffesmagen ikke kan påvirkes af kolde dele.

1. Fjern den aftagelige vandtank og åbn dækslet til vandtanken for at fylde den med den ønskede mængde vand. Vandniveauet må ikke overstige mærket "MAX" i tanken. Sæt derefter vandtanken på plads igen.
2. Sæt stålnettet i metaltragten. Sørg for, at røret på tragten flugter med rillen i apparatet. Skub derefter tragten ind i apparatet fra "INSERT"-positionen, og fastgør den i kaffebryggeren ved at dreje den mod uret, indtil den er i positionen "LOCK".
3. Sæt en espressokop på den aftagelige kophylde.
4. Slut derefter apparatet til strømforsyningen. Sørg for, at betjeningsknappen til damp er i OFF-positionen.
5. Tryk på tænd/sluk-knappen. Strømindikatoren lyser hvidt. Indikatorerne for knappen til 1 kop kaffe, knappen til 2 kopper kaffe og den manuelle kaffeknap blinker. Maskinen begynder forvarmning. Når alle indikatorer lyser permanent, betyder det, at forvarmningen er fuldført. Tryk på den manuelle kaffeknap. Maskinen pumper vand. Når der strømmer vand ud, skal du straks trykke på denne kaffeknap igen for at stoppe med at pumpe vand. Formålet med dette trin er at pumpe vandet fra vandtanken ind i kedlen.
6. Når indikatoren for kaffeknappen lyser, angiver det, at forvarmningen er færdig.

Lav espresso

1. Fjern tragten ved at dreje den med uret. Fyld formalet kaffe i stålnettet med måleskeene, En skefuld malet kaffepulver kan lave ca. en kop kaffe af bedste kvalitet. Pres derefter det maledede kaffepulver sammen ved hjælp af den dertil beregnede anordning.
2. Sæt stålnettet i metaltragten. Sørg for, at røret på tragten flugter med rillen i apparatet. Skub derefter tragten ind i apparatet fra "INSERT"-positionen, og fastgør den i kaffebryggeren ved at dreje den mod uret, indtil den er i positionen "LOCK".
3. Sæt en kop på den aftagelige kophylde.
4. Når forvarmningen er afsluttet, skal du trykke på knappen til 1 kop kaffe eller knappen til 2 kopper kaffe. Nu begynder maskinen at brygge. Tilberedningstiden for 1 kop kaffe er 15 sekunder og 25 sekunder for 2 kopper kaffe. Hvis du ønsker en bestemt mængde kaffe, skal du trykke på den manuelle kaffeknap én gang. Når den ønskede mængde kaffe er nået, skal du trykke på denne knap igen for at stoppe. Med den manuelle kaffeknap er tilberedningstiden maks. 90 sekunder. Enheden stopper automatisk med at fungere, hvis der ikke foretages mere i løbet af 90 sekunder.
5. På dette tidspunkt skal den aktuelle kaffeknapindikator være tændt. Hvis den er slukket, skal du vente et øjeblik. Når den er tændt igen, skal du trykke på den aktuelle kaffeknap, vente et øjeblik, indtil der strømmer kaffe ud.
6. Tryk på kaffeknappen, når den ønskede mængde kaffe er nået, eller farven på kaffen tydeligvis ændrer sig og bliver vandig. Kaffebryggeren holder op med at fungere. Hvis kaffeknapindikatoren slukkes, skal du vente et øjeblik. Kaffeknapindikatoren lyser igen. Du kan nu fortsætte med at lave kaffe.
7. Tryk og hold knappen til 1 kop kaffe inde i 3 sekunder, Den blinker, når der skiftes til indstillingstilstand. Tryk på knappen til 1 kop kaffe igen for at begynde doseringen af kaffe. Når den angivne tid er nået, skal du trykke på knappen til 1 kop kaffe for at afslutte indstillingen, der kan huskes af enheden. Tilberedningstiden for 1 kop kaffe kan indstilles til 45 sekunder. Når tilberedningstiden for 1 kop kaffe indstilles, opdateres tilberedningstiden for 2 kopper kaffe automatisk til det dobbelte af tiden for 1 kop kaffe; Tilberedningstiden for 2 kopper kaffe kan indstilles til op til 90 sekunder. Hvis tilberedningstiden for 2 kopper kaffe indstilles, opdateres tilberedningstiden for 1 kop kaffe automatisk til halvdelen af tiden for 2 kopper kaffe
ADVARSEL: Efterlad ikke kaffebryggeren uden opsyn, mens du laver kaffe, da den nogle gange skal betjenes manuelt!
8. Når du er færdig med at lave kaffe, skal du tage metaltragten ud ved at dreje den med uret og derefter hælde overskydende kaffe ud, idet stålnettet presses ved hjælp af pressestangen.
9. Lad den køle helt af, og skyl derefter under rindende vand.

Sådan laver du varmt vand

Når produktet er forvarmet, skal du dreje på dampknappen for at frigive varmt vand og trykke på den manuelle kaffeknap for at starte tilberedningen af varmt vand. Tryk på den manuelle kaffeknap igen, og sluk for dampknappen for at afslutte tilberedningen af varmt vand.

Lav cappuccino/skummet mælk

Du får en kop cappuccino, når du fylder en kop espresso op med skummet mælk.
Fremgangsmåde:

1. Tilbered først espresso med en beholder, der er stor nok i henhold til delen "LAV ESPRESSO", og sørg for, at betjeningsknappen til damp er i OFF-positionen.
2. Tryk på dampknappen. Kaffeknapindikatoren slukkes. Vent til dampknapindikatoren lyser. Bemærk: Under drift vil dampknapindikatoren tænde og slukke for at opretholde den ønskede temperatur.
3. Fyld en kande med ca. 100 ml mælk for hver cappuccino, der skal tilberedes. Det anbefales at bruge sødmælk ved køleskabstemperatur (ikke varm!).

- Bemærk: Ved valg af kandens størrelse anbefales det, at diameteren ikke er mindre end 70 ±5 mm, og husk på, at mælkens volumen øges til det dobbelte. Sørg for, at kanden er tilstrækkelig høj.
4. Drej betjeningsknappen til damp langsomt mod uret. Der kommer damp ud af den skummende dyse Bemærk: Drej aldrig betjeningsknappen til damp hurtigt, da dampen akkumuleres hurtigt inden for kort tid, hvilket kan øge risikoen for eksplosion.
 5. Sæt skumdysen ca. 2 cm ned i mælken. Skum mælken ved at bevæge dysen op og ned.
 6. Når det ønskede resultat er nået, skal du dreje betjeningsknappen til damp til positionen OFF. Bemærk: Rengør dampudløbet med en våd svamp, straks efter at dampen er ophørt, men pas på ikke at komme til skade!
 7. Hæld den skummede mælk i den tilberedte espresso. Nu er cappuccinoen klar. Kom sukker i efter smag, og hvis det ønskes, drysses lidt kakaopulver i skummet.
 8. Tryk på tænd/sluk-knappen for at afbryde strømmen. Alle indikatorer slukkes.
 9. Når dampfunktionen betjenes i mere end 180 sekunder i en enkelt operation, blinker dampindikatoren hurtigt for at vise alarmtilstand. I dette tilfælde skal du trykke på kaffeknappen for at foretage afkøling, og maskinen kan genoptage standby efter afkøling til normal temperatur. Bemærk: Hvis du vil lave kaffe, umiddelbart efter at du har lavet damp, blinker kaffeindikatoren for at vise alarmtilstand, når du trykker på kaffeknappen. På dette tidspunkt skal du dreje betjeningsknappen til damp til ON-positionen for at pumpe varmt vand for at lade enheden afkøle.

Funktion for automatisk slukning

Hvis der ikke foretages nogen handling inden for 25 minutter, slukker enheden automatisk.

Rengøring og vedligeholdelse:

1. Sluk for kaffebryggeren, og lad den køle helt af inden rengøring.
2. Rengør kaffebryggerens hus ofte med en fugtighedsbestandig svamp og rengør vandtank, drypbakke og den aftagelige kophylde regelmæssigt. Aftør dem derefter. Bemærk: Rengør ikke med alkohol eller rengøringsmiddel med opløsningsmiddel. Nedsænk aldrig huset i vand for at rengøre.
3. Tag metaltragten af ved at dreje den med uret. Hæld en eventuel kafferest indeni væk. Rengør den derefter med rensmiddel, men skyl til sidst efter med rent vand.
4. Rengør alt tilbehør i vandet og tør det grundigt.
5. Efter at maskinen har arbejdet i 500 cyklusser (inklusive kaffe, damp og andre funktioner), blinker alle indikatorerne hurtigt 5 gange på samme tid, når forvarmningen er afsluttet, og minder dig om afkalkning. Hvis du ikke afkalder, sker dette, hver gang du bruger maskinen. I standbytilstand skal du samtidig trykke på og holde den manuelle kaffeknap og knappen til 2 kopper kaffe nede i 3 sekunder, og de to indikatorer blinker hurtigt 3 gange, hvilket minder dig om annullering af afkalkning, og antallet af arbejds cyklusser vender tilbage til nul.

Rengøring af mineralaflejringer

1. For at sikre, at din kaffebrygger fungerer effektivt, at de indvendige rør er rene og kaffesmagen er optimal, skal du fjerne de mineralaflejringer, der er tilbage. hver 2.-3. måned.
2. Fyld vandtanken med vand og afkalkningsmiddel til MAX-niveauet (andelen af vand og afkalkningsmiddel er 4:1. Denne oplysning kommer fra brugsvejledningen for afkalkningsmidlet. Brug venligst "afkalkningsmiddel til husholdningsbrug", Du kan bruge citronsyre (fås på apoteket eller hos materialisten) i stedet for afkalkningsmidlet (hundred dele vand og tre dele citronsyre).
3. I overensstemmelse med forvarmningsprogrammet sættes metaltragten (uden kaffepulver i) og kande på plads. Bryg vand i henhold til "FORVARMNING".
4. Tryk på tænd/sluk-knappen. Strømindikatoren lyser. Tryk på kaffeknappen. Sørg for, at betjeningsknappen til damp er i Off-position. Når der strømmer vand ud, skal du trykke på kaffeknappen for at stoppe med at pumpe og vente et øjeblik, indtil kaffebryggeren begynder at forvarme.

5. Når indikatoren for kaffeknappen lyser, angiver det, at forvarmningen er færdig. Tryk på kaffeknappen, og lav to kopper kaffe (ca. 0,6 dl). Tryk på kaffeknappen for at stoppe pumpningen.
6. Tryk på dampknappen. Kaffeknapindikatoren slukkes. Vent til dampknapindikatoren lyser. Lav damp i 2 minutter ved at dreje på betjeningsknappen for damp, og drej derefter knappen til OFF-positionen for at stoppe med at lave damp. Tryk på tænd/sluk-knappen for at slukke for enheden med det samme. Lad afkalkningsmidlet hvile i enheden i mindst 15 minutter.
7. Tryk på tænd/sluk-knappen for at genstarte enheden. Vent, indtil kaffeknapindikatoren lyser, og tryk derefter på kaffeknappen for at brygge, indtil der ikke er noget afkalkningsmiddel tilbage.
8. Bryg med postevand til MAX-niveaet. Gentag trin 4-6 tre gange, og bryg derefter, indtil der ikke er vand tilbage i vandtanken.

Fejlfinding

Symptom	Årsag	Udbedringer
Metaldelene i tanken har rust.	Afkalkningsmidlet er ikke af den anbefalede type. Det kan tære metaldelene i tanken.	Brug det afkalkningsmiddel, der anbefales af producenten.
Vand lækker fra bunden af kaffebryggeren	Der er meget vand i drypbakken.	Rengør drypbakken.
	Kaffebryggeren er defekt.	Kontakt venligst det autoriserede serviceværksted for reparation.
Vand lækker ud på filterets yderside.	Der er kaffepulver på filterkanten.	Kassér dem.
Espressokaffen har en syrlig smag (eddike)..	Forkert rengøring af mineralaflejringer.	Rengør kaffebryggeren flere gange i henhold til beskrivelsen i "Før første brug".
	Kaffepulveret opbevares et varmt, fugtigt sted i lang tid. Kaffepulveret bliver dårligt.	Brug frisk kaffepulver, eller opbevar ubrugt kaffepulver på et køligt, tørt sted. Når du har åbnet en pakke med kaffepulver, skal du lukke den igen og opbevare den i køleskab for at bevare dens friskhed.
Kaffebryggeren fungerer ikke længere.	Stikket er ikke sat ordentligt i stikkontakten.	Sæt netledningen korrekt i en stikkontakt. Hvis apparatet stadig ikke fungerer, skal du kontakte det autoriserede serviceværksted for reparation.
Damp kan ikke få til at skumme.	Dampindikatoren lyser ikke.	Først efter at dampindikatoren er tændt, kan dampen bruges til at skumme.
	Beholderen er for stor, eller formen passer ikke.	Brug en høj, smal beholder.
	Du har brugt skummetmælk	Brug sødmælk eller letmælk

Dette udstyr er mærket i overensstemmelse med EU-direktiv 2012/19/EF om affald af elektrisk og elektronisk udstyr – WEEE. Direktivet specificerer kravene til indsamling og håndtering af affald af elektrisk og elektronisk udstyr og gælder i hele Den Europæiske Union.

MILJØ

Efter endt levetid må apparatet ikke bortskaffes sammen med almindeligt husholdningsaffald. Aflever det på en godkendt genbrugsplads. Dette vil hjælpe med at bevare miljøet.

GARANTI OG REPARATION

Hvis du ønsker flere oplysninger, eller der opstår problemer, bedes du kontakte Gorenje kundeservice i dit land (telefonnummeret står angivet i den internationale garanti). Hvis der ikke findes et servicecenter i dit land, bedes du kontakte den lokale Gorenje forhandler eller Gorenjes afdeling for små husholdningsapparater.

Kun til personlig brug!

HISENSE

VI HÅBER, AT DU FÅR STOR GLÆDE AF AT BRUGE APPARATET.

Viktig

Les denne bruksanvisningen før du bruker apparatet, og ta vare på den for fremtidig bruk

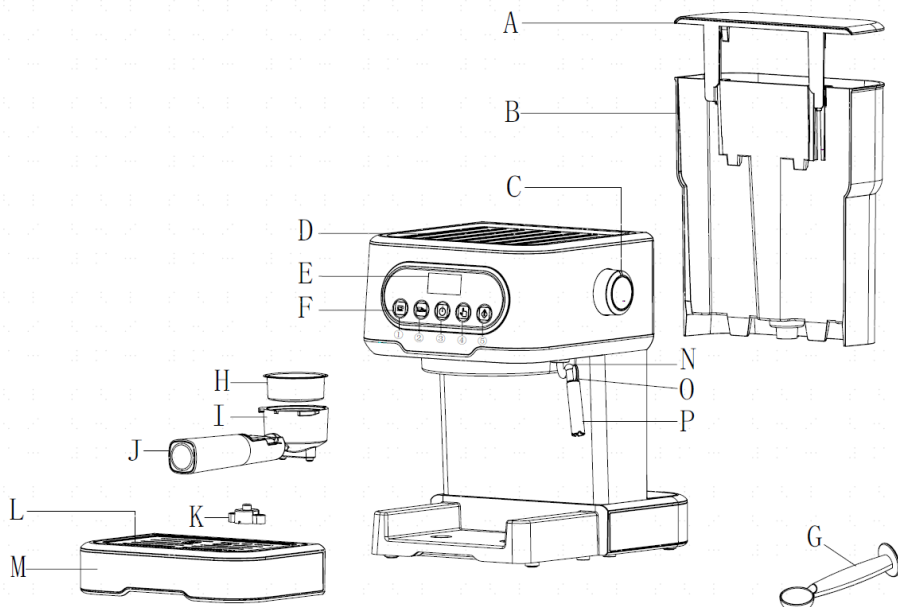
Sikkerhet

Før du bruker apparatet, må du alltid følge grunnleggende forholdsregler, inkludert:

1. Les alle instruksjonene.
2. Før bruk må du kontrollere at spenningen i stikkontakten stemmer med spenningen som er oppgitt på typeskiltet.
3. Dette apparatet har jordet støpselet. Stikkontakten må også være jordet.
4. For å unngå brann, elektrisk støt og personskader må ikke ledningen eller støpselet senkes ned i vann eller annen væske.
5. Trekk ut støpselet fra stikkontakten før rengjøring og når apparatet ikke er i bruk. La apparatet avkjøles helt før du fjerner eller monterer komponenter samt før rengjøring.
6. Hvis ledningen eller støpselet er skadet, må ikke apparatet brukes. Hvis apparatet ikke fungerer som det skal, har blitt mistet i bakken eller skadet på andre måter, må det returneres til nærmeste verksted for kontroll, reparasjon eller justering.
7. Hvis det brukes tilbehør som produsenten ikke anbefaler, kan det føre til brann, elektrisk støt eller personskader.
8. Plasser apparatet på flatt underlag eller et bord. Ikke heng strømledningen over kanten av bordet eller benken.
9. Sørg for at strømledningen ikke kommer i kontakt med varme deler av apparatet.
10. For å unngå skader må kaffemaskinen ikke plasseres på en varm overflate eller ved siden av åpen ild.
11. Trekk ut støpselet fra stikkontakten for å koble fra. Hold alltid i støpselet, ikke dra i ledningen.
12. Apparatet må ikke brukes til andre ting enn det er utviklet for, og det må brukes i et tørt miljø.
13. Vær ekstra oppmerksom når apparatet brukes i nærheten av barn.
14. Vær forsiktig, slik at du ikke brenner deg på dampen.
15. Ikke ta på apparatets varme overflater. Bruk håndtaket eller knottene.
16. Ikke start kaffemaskinen hvis det ikke er vann i vanntanken.
17. Ikke fjern metalltrakten når apparatet brygger kaffe eller slipper ut damp.
18. Koble støpselet til en stikkontakt før bruk, og slå av apparatet før du trekker ut støpselet fra stikkontakten igjen.

19. Dette apparatet kan brukes av barn fra åtte år og oppover og av personer med redusert fysisk, sensorisk eller psykisk kapasitet, eller mangel på erfaring og kunnskap, dersom de er instruert i bruken av apparatet på en trygg måte og forstår farene ved bruken. Ikke la barn leke med apparatet. Rengjøring og vedlikehold skal ikke utføres av barn med mindre de er eldre enn 8 år og er under tilsyn.
20. Ikke la barn leke med apparatet.
21. Temperaturen under bruk og oppbevaring må overstige 0 °C .
22. Dette apparatet skal brukes i private hjem og lignende steder, for eksempel:
 - personalkjøkken i butikker, på kontorer og på andre arbeidsplasser
 - gårdshus
 - av gjester på hoteller, moteller og i liknende miljøer
 - bed and breakfast-miljøer
23. Må ikke brukes utendørs.
24. Ta vare på disse instruksjonene.
25. Hvis produktet ikke skal brukes på en stund, må du slå på strømmen og slippe ut damp i tre minutter først.
26. Hvis strømmen brytes mens dampen slippes ut, vil restvarmen føre til at produktet slipper ut damp lenge. Produktet stopper umiddelbart å slippe ut damp når du slår av dampbryteren.

Bli kjent med kaffemaskinen



- A. Deksel til vanntank
- B. Vanntank
- C. Dampbryter
- D. Toppdeksel
- E. Display
- F. Kontrollpanel (①Knapp for én kaffekopp②Knapp for to kaffekopper③Av/på-knapp④Manuell kaffeknapp⑤Dampknapp)
- G. Måleskje

- H. Stålfiler
- I. Metalltrakt
- J. Trakthåndtak
- K. Flytende deksel
- L. Løs kopphylle
- M. Dryppebrett Skummunnstykke
- N. Damphåndtak
- O. Dampstav
- P. Skummunnstykke

Før første bruk

For å være sikker på at den første koppen med kaffe smaker godt bør du skylle kaffemaskinen med varmt vann på følgende måte:

1. Åpne lokket på vanntanken, og fyll den med vann. Ikke overstig «MAX»-merket i vanntanken. Plasser deretter lokket igjen.
Merk: Apparatet leveres med avtakbar vanntank for enklere rengjøring. Du kan fylle vanntanken først, og deretter plassere den i apparatet.
2. Plasser stålfilteret i metalltrakten (uten kaffe), og sørg for at røret i trakten passer i sporene i apparatet. Før deretter trakten inn i apparatet fra posisjonen «INSERT», og fest den ved å vri den mot urviseren til den er i posisjonen «LOCK».
3. Plasser en kopp på kopphyllen. Kontroller at dampbryteren er slått av.
4. Koble til strøm og trykk på av/på-knappen. Strømindikatoren lyser hvitt. Indikatorene for knappen for én kopp med kaffe, to kopper med kaffe, manuell kaffeknapp og dampknappen blinker. Maskinen forvarmes, og når alle indikatorene lyser fast, er forvarmingen fullført.
Merk: Hvis forvarmingen ikke er fullført og du trykker på knappen for én kopp med kaffe, to kopper med kaffe eller den manuelle knappen, vil ikke pumpen gå. Hvis du vil lage damp, trykker du på dampknappen.
5. Trykk på den manuelle kaffeknappen. Apparatet pumper vann i rundt 30 sekunder. Hell ut vannet fra koppen, og rengjør den. Nå er apparatet klart til å lage kaffe.
Merk: Det kan bråke litt når apparatet pumper vann den første gangen. Det er helt normalt, siden apparatet fjerner luft. Støyen blir borte etter rundt 20 sekunder.
Merk: Før første bruk vil indikatoren i knappen blinke raskt. Det er en alarm, siden det ikke er vann i kjelen. Trykk på den manuelle kaffeknappen, og hold den inne til pumpen begynner å gå. Da deaktiveres alarmen. Deretter kan du brygge kaffe.

Forvarme

For å lage en kopp med espresso anbefaler vi at du forvarmer apparatet først. Det inkluderer metalltrakten, stålfilteret og koppen. Da vil ikke kaffesmaken påvirkes av kalde deler.

1. Fjern den avtakbare vanntanken, og åpne lokket for å fylle den med vann. Ikke fyll over «MAX»-merket i tanken. Monter deretter vanntanken.
2. Plasser stålfilteret i metalltrakten, og sørg for at røret i trakten passer i sporene i apparatet. Før deretter trakten inn i apparatet fra posisjonen «INSERT», og fest den ved å vri den mot urviseren til den er i posisjonen «LOCK».
3. Plasser en espressokopp på kopphyllen.
4. Koble deretter apparatet til strøm. Kontroller at dampbryteren er slått av.
5. Trykk på av/på-knappen. Strømindikatoren lyser hvitt. Indikatorene i knappene for én kopp med kaffe, to kopper med kaffe og manuell kaffe blinker. Maskinen forvarmes. Når alle indikatorene lyser fast, er forvarmingen fullført. Trykk på den manuelle kaffeknappen. Maskinen pumper vann. Når det kommer ut vann, trykker du på knappen en gang til for å stoppe pumpen. Formålet med dette er å pumpe vann fra vanntanken til kjelen.
6. Når indikatoren i kaffeknappen lyser, er forvarmingen fullført.

Lage espresso

1. Fjern trakten ved å vri den med urviseren. Hell malt kaffe i stålfilteret ved hjelp av måleskjeen. Én skje med malt kaffe rækker til en kopp med kaffe. Komprimer deretter kaffen med tamperen.
2. Plasser stålfilteret i metalltrakten, og sørg for at røret i trakten passer i sporene i apparatet. Før deretter trakten inn i apparatet fra posisjonen «INSERT», og fest den ved å vri den mot urviseren til den er i posisjonen «LOCK».
3. Plasser en kopp på kopphyllen.

4. Når forvarmingen er fullført, trykker du på knappen for én eller to kopper med kaffe. Bryggingen starter. Det tar 15 sekunder å brygge én kopp, og 25 sekunder å brygge to kopper. Du kan også trykke på den manuelle kaffeknappen én gang, og når ønsket mengde kaffe er oppnådd, trykker du på den igjen. Ved manuell brygging er maksimal tid 90 sekunder før apparatet stopper automatisk.
5. Knappen skal lyse. Hvis den ikke gjør det, venter du til den lyser igjen før du trykker på den.
6. Trykk på kaffeknappen når du har fått ønsket mengde kaffe eller når fargen på kaffen blir lysere. Hvis indikatoren i knappen er slukket, venter du til den lyser igjen før du brygger videre.
7. Hold inne knappen for én kopp med kaffe i 3 sekunder. Knappen blinker for å vise at innstillingsmodus er valgt. Trykk på knappen igjen for å begynne å brygge kaffe. Når ønsket tid har gått, trykker du på knappen igjen for å lagre tiden. Varigheten for brygging av én kopp med kaffe kan stilles inn til opptil 45 sekunder. Når varigheten for brygging av én kopp stilles inn, vil varigheten for brygging av to kopper lagres automatisk som dobbelt så lang tid. Varigheten for brygging av to kopper kan stilles inn til opptil 90 sekunder. Hvis varigheten for brygging av to kopper stilles inn, vil varigheten for brygging av én kopp lagres automatisk som halvparten så lang tid.
ADVARSEL: Ikke la kaffemaskinen stå uten tilsyn mens den brygger, siden du av og til må betjene den manuelt!
8. Når du har brygget kaffe, tar du ut metalltrakten ved å vri den med urviseren, og deretter heller du ut kaffegruten fra stålfileret.
9. La delene avkjøles helt, og skyll dem deretter under rennende vann.

Lage varmt vann

Når apparatet er forvarmet, vrir du på dampbryteren for å frigjøre varmt vann, og deretter trykker du på den manuelle kaffeknappen for å begynne å lage varmt vann. Trykk på den manuelle kaffeknappen igjen og steng dampbryteren når du er ferdig.

Lage cappuccino / melkeskum

Cappuccino er en kopp med espresso toppet med melkeskum.

Metode:

1. Lag først espressoen i en kopp som er stor nok som beskrevet under «LAGE ESPRESSO». Dampbryteren må være slått av.
2. Trykk på dampknappen. Indikatoren i kaffeknappen slukkes. Vent til indikatoren i dampknappen lyser.
Merk: Under drift vil indikatoren i dampknappen slås på og av for å opprettholde ønsket temperatur.
3. Fyll en mugge med rundt 100 ml melk for hver cappuccino. Du bør bruke helmelk rett fra kjøleskapet (den må ikke være varm!).
Merk: Når du velger mugge, anbefales det at diameteren ikke er mindre enn 70 ± 5 mm. Husk også at melkens volum doubles, så sørg for at muggen er høy nok.
4. Vri dampbryteren sakte mot urviseren. Det kommer damp fra dysen.
Merk: Ikke vri dampbryteren raskt. Da vil det dannes mye damp på kort tid, noe som øker faren for en eksplosjon.
5. Før dampdysen cirka to centimeter ned i melken. Skum melken ved å bevege muggen opp og ned.
6. Når du har oppnådd ønsket resultat, vrir du dampbryteren til posisjonen OFF.
Merk: Rengjør melkeskummen forsiktig med en våt svamp umiddelbart etter bruk.
7. Hell melkeskummet over espressoen for å lage cappuccino. Tilsett sukker etter smak, og strø litt kakao over.
8. Trykk på av/på-knappen for å slå av strømmen. Alle indikatorer slukkes.
9. Når dampfunksjonen brukes i mer enn 180 sekunder sammenhengende, vil indikatoren blinke raskt. Trykk på kaffeknappen for å avkjøle apparatet før du bruker det igjen.

Merk: Hvis du vil brygge kaffe umiddelbart etter at du har laget damp, vil kaffeindikatoren blinke for å varsle deg når du trykker på kaffe knappen. Vri dampbryteren til ON for å pumpe varmt vann, slik at apparatet avkjøles.

Automatisk avstengning

Hvis apparatet ikke brukes på 25 minutter, slås det av automatisk.

Rengjøring og vedlikehold:

1. Slå av kaffemaskinen og la den avkjøles helt før rengjøring.
2. Rengjør utsiden med en fuktig svamp, og rengjør vanntanken, dryppebrettet og koppshyllen regelmessig. Tørk dem godt.
Merk: Må ikke rengjøres med alkohol eller løsemidler. Huset må aldri senkes ned i vann.
3. Fjern metalltrakten ved å vri den med urviseren. Fjern kafferester, og rengjør den deretter med rengjøringsmiddel. Avslutt med å skylle den med rent vann.
4. Rengjør alt tilbehør med vann, og tørk det godt.
5. Når maskinen har blitt brukt 500 ganger (inkludert kaffe, damp og andre funksjoner), vil alle indikatorene blinke raskt fem ganger samtidig når forvarmingen er fullført. Det er en påminnelse om at det er på tide med avkalking. Hvis du ikke gjør det, vil dette skje hver gang du bruker maskinen. Hold inne den manuelle kaffe knappen og knappen for to kopper med kaffe samtidig i tre sekunder. De to indikatorene blinker raskt tre ganger, og antall arbeidssykluser nullstilles.

Fjerne kalkbelegg

1. For at kaffemaskinen skal fungere optimalt, at de innvendige rørene er rene, og at kaffen smaker optimalt, bør du fjerne kalkbelegg hver 2.–3. måned.
2. Fyll vanntanken med vann og kalkfjerner til MAX-nivået (blandingsforholdet mellom vann og kalkfjerner er 4:1, se bruksanvisningen for kalkfjerningsmiddelet). Bruk kalkfjerningsmiddel som er egnet for privat bruk. Du kan også bruke sitronsyre istedenfor kalkfjerner (hundre deler vann til tre deler sitronsyre).
3. Plasser metalltrakten (uten kaffe) og muggen. Brygg vann som beskrevet under «FORVARMING».
4. Trykk på av/på-knappen. Strømindikatoren lyser. Trykk på kaffe knappen. Påse at dampbryteren er slått av. Når det kommer ut vann, trykker du på kaffe knappen igjen for å stoppe pumpen. Vent litt til kaffemaskinen forvarmes.
5. Når indikatoren i kaffe knappen lyser, er forvarmingen fullført. Trykk på kaffe knappen og brygg to kopper med kaffe (cirka 60 ml). Trykk på kaffe knappen igjen for å stoppe pumpen.
6. Trykk på dampknappen. Indikatoren i kaffe knappen slukkes. Vent til indikatoren i dampknappen lyser. Lag damp i to minutter ved å vri på dampbryteren. Slå deretter av dampbryteren igjen. Trykk på av/på-knappen for å slå av enheten, og la kalkfjerningsmiddelet virke i minst 15 minutter.
7. Trykk på av/på-knappen for å starte apparatet igjen. Vent til indikatoren i kaffe knappen lyser, og trykk deretter på kaffe knappen til alt kalkfjerningsmiddel er brygget.
9. Fyll vanntanken til MAX-merket med rent vann, og gjenta trinn 4–6 tre ganger til det ikke er igjen vann i vanntanken.

Feilsøking

Feil	Årsak	Løsning
Metalldelene i tanken har rustet.	Det brukes feil kalkfjerningsmiddel. Det kan skade metalldelene i tanken.	Bruk kalkfjerningsmiddelet som anbefales av produsenten.
Det lekker vann fra bunnen av kaffemaskinen	Det er for mye vann i dryppebrettet.	Rengjør dryppebrettet.
	Kaffetrakteren fungerer ikke.	Kontakt et godkjent verksted.
Det lekker vann ut på utsiden av filteret.	Det er malt kaffe på kanten av filteret.	Fjern det.
Espressoen smaker syrlig (eddik).	Ikke rengjort på riktig måte etter kalkfjerning.	Rengjør kaffemaskinen flere ganger som beskrevet under «Før første gangs bruk».
	Den malte kaffen oppbevares på et varmt og fuktig sted over lengre tid. Den malte kaffen blir dårlig.	Bruk fersk kaffe, eller oppbevar malt kaffe på et kjølig og tørt sted. Når du har åpnet en pakke med kaffe, kan du lukke den godt og oppbevare den i kjøleskapet for å bevare smaken.
Kaffemaskinen fungerer ikke.	Støpselet er ikke koblet til stikkkontakten.	Koble støpselet til stikkkontakten. Hvis apparatet fortsatt ikke fungerer, må du kontakte et godkjent verksted.
Dampen skummer ikke melken.	Dampindikatoren lyser ikke.	Vent til dampindikatoren lyser før du skummer melken.
	Muggen er for stor eller har feil form.	Bruk en høy og smal mugge.
	Du har brukt skummet melk.	Bruk helmelk eller lettmelk.

Dette utstyret er merket i henhold til WEEE-direktivet 2012/19/EF om elektrisk og elektronisk avfall. Direktivet beskriver kravene for innsamling og håndtering av elektrisk og elektronisk avfall i EU.

MILJØ

Når apparatet ikke lenger kan brukes, skal det ikke kastes i restavfallet. Lever det til resirkulering. Da tar du vare på miljøet.

GARANTI OG REPARASJONER

Hvis du trenger mer informasjon, eller hvis det oppstår problemer, kan du kontakte Gorenje i ditt land (du finner telefonnummeret på det internasjonale garantibeviset). Hvis Gorenje ikke har en avdeling i ditt land, kan du kontakte en Gorenje-forhandler eller Gorenjes avdeling for små husholdningsapparater.

Kun til personlig bruk!

**HISENSE
GRATULERER DEG MED DITT NYE APPARAT.**

Viktigt

Läs noggrant denna bruksanvisning innan användning av produkten och spara den för framtida bruk

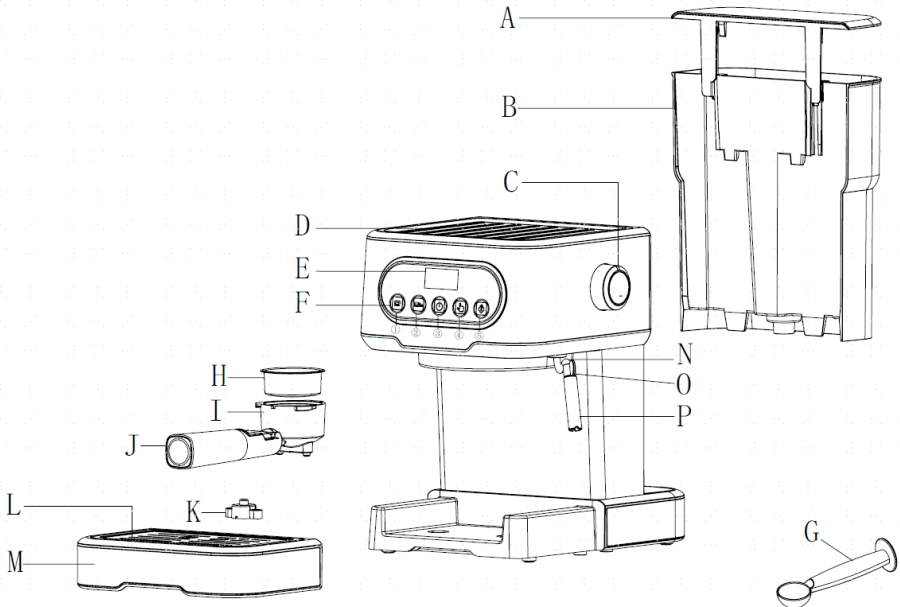
Försiktighetsåtgärder

Innan användning av denna elektriska apparat ska man alltid iaktta grundläggande försiktighetsåtgärder, inklusive följande:

1. Läs alla anvisningar.
2. Kontrollera för användning att spänningen i vägguttaget stämmer överens med den spänning som anges på typskylten.
3. Produkten har en jordad stickkontakt. Se till att husets vägguttag är korrekt skyddsjordat.
4. För att skydda mot brand, elstötar och personskador får sladden eller kontakten inte sänkas ned i vatten eller annan vätska.
5. Ta ut stickkontakten ur vägguttaget före rengöring och när produkten inte används. Låt produkten svalna helt innan du tar bort eller monterar några delar eller rengör apparaten.
6. Använd aldrig en apparat med skadad sladd eller stickkontakt. Om produkten inte fungerar korrekt, tappas i golvet eller är skadad ska den lämnas in till närmaste auktoriserade serviceverkstad för undersökning, reparation eller elektrisk/mekanisk justering.
7. Om man använder andra tillbehör än de som produktens tillverkare rekommenderar kan detta leda till brand, elstötar eller personskador.
8. Placera apparaten på plan yta eller ett bord. Låt inte nätsladden hänga över kanten på ett bord eller en bänk.
9. Se till att nätsladden inte vidrör någon het yta på produkten.
10. För att undvika skador får kaffemaskinen inte placeras på någon het yta eller intill öppen eld.
11. Koppla bort produkten genom att dra ut kontakten ur vägguttaget. När du drar ur kontakten ska du alltid hålla i själva stickkontakten och inte dra i sladden.
12. Använd aldrig produkten på annat sätt än avsett och se till att den är placerad i torr miljö.
13. Noggrann övervakning krävs när produkten används i närheten av barn.
14. Var försiktig så att du inte får brännskador av ångan.
15. Vidrör inte produktens heta ytor. Använd handtaget eller knapparna.
16. Låt inte kaffemaskinen vara igång utan vatten.
17. Ta inte bort metalltratten medan produkten brygger kaffe eller släpper ut ånga.
18. Koppla in stickkontakten i ett vägguttag före användning och stäng av apparaten innan kontakten dras ut ur vägguttaget.

19. Denna apparat kan användas av barn från 8 år och personer med nedsatt fysisk, sensorisk eller mental förmåga eller med bristfällig erfarenhet och kunskap, under förutsättning att de har instruerats om hur man använder apparaten på ett säkert sätt och är införstådda med de risker som är förknippade därmed. Barn ska inte leka med produkten. Rengöring och underhåll får inte utföras av barn om de inte är minst 8 år och hålls under uppsikt.
20. Barn ska övervakas för att säkerställa att de inte leker med produkten.
21. Användning eller förvaring måste ske på plats där temperaturen är högre än 0 °C.
22. Denna produkt är avsedd att användas i hushåll och liknande miljöer såsom:
- personalkök i butiker, på kontor och andra arbetsplatser;
 - bondgårdar;
 - av gäster på hotell, motell och liknande boendemiljöer;
 - i bed and breakfast-miljöer.
23. Använd inte apparaten utomhus.
24. Spara dessa instruktioner.
25. Om du inte kommer att använda produkten under en längre tid måste du slå på strömmen och sedan släppa ut ånga i 3 minuter innan produkten ställs undan.
26. Om strömmen bryts medan ånga släpps ut fortsätter produkten på grund av restvärme att släppa ut ånga under betydande tid. Produkten slutar omedelbart att släppa ut ånga när du stänger av ångknappen.

Lär känna din kaffemaskin



- A. Lock för vattentank
- B. Vattentank
- C. Knapp för ånga
- D. Övre lock
- E. Display
- F. Kontrollpanel (①knapp för 1 kopp kaffe②knapp för 2 koppar kaffe③strömbrytare④knapp för manuell kaffebruggning⑤knapp för ånga)
- G. Mätt

- H. Stålsil
- I. Metalltratt
- J. Handtag för tratt
- K. Flottörlock
- L. Löstagbar kopphylla
- M. Droppbricka skummunstycke
- N. Handtag för ångrör
- O. Ångstav
- P. Skummunstycke

Innan du använder produkten för första gången

För att vara säker på att den första koppen kaffe ska smaka riktigt gott bör du först skölja kaffemaskinen med varmt vatten enligt följande:

1. Öppna vattentankens lock. Fyll på vatten i tanken. Nivån får inte överstiga märket "MAX" i vattentanken. Sätt sedan tillbaka vattentankens lock.
Obs: produkten har en löstagbar vattentank för att denna enkelt ska kunna rengöras. Det går att fylla tanken med vatten först och sedan placera den i produkten.
2. Placera stålsilen i metalltratten (utan något kaffe i stålsilen). Se till att trattens rör ligger i linje med spåret i apparaten. Fäst sedan tratten i apparaten från läget "INSERT" och spänn fast den ordentligt i kaffemaskinen genom att vrida den moturs till läget "LOCK".
3. Ställ en kanna på den löstagbara kopphyllan. Se till att knappen för ånga är i läge OFF.
4. Koppla in till eluttag, tryck på strömbrytaren, strömindikatorn lyser vitt. Lamporna blinkar för knapparna en kopp kaffe, två koppar kaffe, manuell bryggning och ånga. Maskinen värms upp och när alla lampor lyser med fast sken är förvärmningen klar
Obs! Om förvärmningen inte är klar och du trycker på någon av knapparna för en kopp, två koppar eller manuell bryggning kommer pumpen inte att starta. Du kan trycka på ångknappen för att släppa ut ånga.
5. Tryck på knappen för manuell bryggning av kaffe. Produkten pumpar vatten i cirka 30 sekunder. Låt vattnet rinna ned i koppen och rengör den sedan. Efter detta är apparaten klar för bryggning av kaffe.
Anm. När pumpen startar första gången kan ett ljud höras. Detta är normalt och beror på att apparaten på insidan släpper ut övertryck. Efter cirka 20 sekunder bör ljudet försvinna.
Anm. Innan apparaten används första gången blinkar indikeringsljuset på knappen snabbt. Detta är en larmsignal som beror på att det inte finns vatten i värmepannan. Tryck på knappen för manuell kaffe bryggning och håll den intryckt tills pumpen stoppas och larmet stängs av. Därefter kan man börja brygga kaffe.

Förvärmning

För att brygga en kopp gott och varmt espressokaffe rekommenderar vi att du först förvärmer apparaten inklusive metalltratten, stålsilen och koppen, för att kaffets smak inte ska påverkas av kalla delar.

1. Ta bort den löstagbara vattentanken. Öppna tankens lock och fyll på med önskat vatten. Vattnet får inte nå högre än märket "MAX" i tanken. Sätt sedan tillbaka vattentanken
2. Placera stålsilen i metalltratten. Se till att trattens rör ligger i linje med spåret i apparaten. Fäst sedan tratten i apparaten från läget "INSERT" och spänn fast den ordentligt i kaffemaskinen genom att vrida den moturs till läget "LOCK".
3. Ställ en espressokopp på den löstagbara kopphyllan.
4. Anslut sedan produkten till elnätet. Se till att knappen för ånga är i läge OFF.
5. Tryck på strömbrytaren. Strömindikatorn tänds med vitt sken. Indikeringarna för knapparna en kopp kaffe, två koppar kaffe och manuell bryggning blinkar. Maskinen börjar automatiskt förvärmas. När alla indikatorer lyser med fast sken är förvärmningen klar. Tryck på knappen för manuell bryggning så att maskinen börjar pumpa vatten. Direkt när det kommer ut vatten trycker du en gång till på samma knapp för att stänga av vattenpumpen. Syftet med detta steg är att pumpa över vatten från tanken till värmepannan.
6. När indikeringen på knappen för kaffe bryggning lyser betyder det att förvärmningen är klar

Tillagning av espresso

1. Lossa tratten genom att vrida den medurs. Tillsätt malet kaffe i stålsilen med ett mått. Ett mått malet kaffe ger ungefär en kopp kaffe av högsta kvalitet. Pressa samman det malda kaffet hårt med pressen.
2. Placera stålsilen i metalltratten. Se till att trattens rör ligger i linje med spåret i apparaten. Fäst sedan tratten i apparaten från läget "INSERT" och spänn fast den ordentligt i kaffemaskinen genom att vrida den moturs till läget "LOCK".
3. Ställ en kopp på den löstagbara kopphyllan.
4. När förvärmningen är klar trycker du på någon av knapparna för en eller två koppar kaffe. Maskinen börjar då automatiskt brygga kaffet. En kopp kaffe tar 15 sekunder och två koppar 25 sekunder. Om du själv vill bestämma mängden kaffe trycker du på knappen för manuell brygning en gång, och sedan en gång till på samma knapp när önskad mängd kaffe har erhållits. Arbetstiden i detta läge är maximalt 90 sekunder. Efter denna tid avbryts bryggningen automatiskt om ingen knapp trycks in.
5. Om indikeringen för önskad knapp inte lyser väntar du en liten stund tills indikeringen tänds. När den lyser igen kan du trycka på önskad knapp för brygning av kaffe och vänta ett ögonblick, så kommer kaffe att börja rinna ut.
6. Tryck på knappen för kaffe brygning när önskad mängd kaffe har erhållits eller om du märker att kaffet som kommer ut har dålig färg. Då avbryter maskinen bryggningen. Om indikeringen på knappen slocknar väntar du ett litet tag tills indikeringen tänds. Sedan kan du fortsätta att brygga kaffe.
7. Tryck på knappen för en kopp kaffe och håll den intryckt i 3 sekunder. Då börjar knappen att blinka för att visa att knappen är i programmeringsläge. Tryck en gång till på knappen för en kopp, och efter önskad bryggningstid trycker du en tredje gång på knappen för en kopp för att avsluta programmeringen så att apparaten kan spara bryggtiden. Bryggtiden för en kopp kaffe kan ställas in till högst 45 sekunder. Om bryggtiden för en kopp programmeras kommer bryggtiden för två koppar kaffe automatiskt att ställas in till den dubbla tiden för brygning av en kopp. Bryggtiden för två koppar kaffe kan programmeras till högst 90 sekunder. Om tiden för brygning av två koppar programmeras kommer tiden för brygning av en kopp automatiskt att ställas in till hälften av tiden för två koppar
WARNING: Lämna aldrig kaffe bryggaren utan uppsikt när du gör kaffe eftersom du ibland behöver ingripa manuellt!
8. När kaffet är färdigbryggt lossar du ståltratten genom att vrida den medurs. Håll bort kaffesumpen medan du håller fast stålsilen med tången.
9. Låt delarna svalna helt och skölj dem sedan under rinnande vatten.

Tillagning av hett vatten

När produkten är förvärmad kan du vrida på ångknappen för att släppa ut varmt vatten och trycka på knappen för manuell brygning för att leda ut varmt vatten. Tryck en gång till på knappen för manuell brygning och stäng ångknappen för att avsluta tillredningen av varmvatten.

Tillagning av cappuccino/skummad mjölk

För att tillaga en kopp cappuccino toppar du en kopp espresso med mjölkskum.
Gör så här:

1. Börja med att brygga en kopp espresso i ett kärl som är tillräckligt stort enligt avsnittet "TILLAGA ESPRESSO". Se till att ångknappen är i läget OFF.
2. Tryck på ångknappen. Knappen för kaffe brygning slocknar. Vänta tills indikeringen på ångknappen tänds.
Anm. Under drift kommer indikeringen på ångknappen periodvis att tändas och släckas för att beroende om systemet för tillfället håller önskad temperatur.

- Håll cirka 1 dl mjölk i en kanna för varje portion cappuccino som ska tillredas. Vi rekommenderar att du använder kylskåpskall standardmjölk (inte varm mjölk!).
Anm. När du väljer kannan bör du se till att dess diameter är åtminstone 70 mm (± 5 mm). Tänk också på att mjölkens volym kommer att fördubblas – se därför till att kannan är tillräckligt hög.
- Vrid långsamt ångreglaget moturs. Ånga kommer ut ur skummunstycket
Anm. Vrid aldrig ångknappen snabbt – i så fall bildas mycket ånga på kort tid, vilket ökar risken för en explosion.
- Håll kannan så att skummunstycket når cirka två centimeter ned i mjölken och gör skum av mjölken genom att röra kärlet i cirklar och i höjdlid.
- När önskat resultat har erhållits vrid du ångknappen till läget OFF.
Anm. Rengör ångutloppet med en våt svamp omedelbart efter att ångan slutat flöda. Var dock försiktig så att du inte skadar dig!
- Håll mjölkskummet i den nyss tillredda espresson. Din cappuccino är nu klar. Söta efter smak och strö eventuellt lite kakao över skummet.
- Tryck på strömbrytaren för att stänga av strömmen. Alla indikeringar släcks.
- Om man använder ångfunktionen i över 180 sekunder i sträck börjar larmar indikeringen för ånga genom att blinka snabbt. I så fall ska du trycka på kaffe knappen för att låta maskinen svalna. Maskinen kan återgå till vänteläge efter att den svalnat till normal temperatur.
Anm. Om du vill laga kaffe direkt efter att du tillrett ånga kommer indikeringen för kaffe att blinka snabbt för att larma. I det läget bör du vrida ångreglaget till läge ON för att pumpa in varmt vatten för att låta enheten svalna.

Automatisk avstängning

Om inga åtgärder vidtas under 25 minuter stängs enheten automatiskt av.

Rengöring och underhåll:

- Stäng av kaffemaskinen och låt den svalna helt innan du rengör den.
- Rengör ofta kaffemaskinens hölje med en fuktålig svamp och rengör regelbundet vattentanken, droppbrickan och den löstagbara kopphyllan och torka dem efteråt.
Anm. Använd inte alkohol eller lösningsmedel. Rengör aldrig maskinen genom att doppa höljet i vatten.
- Lossa metalltratten genom att vrida den medurs. Kasta eventuell resterande kaffesump på insidan. Rengör med diskmedel men avsluta alltid genom att skölja med rent vatten.
- Rengör alla tillbehör med vatten och torka av dem noggrant.
- När maskinen har körts i 500 cykler (inklusive kaffe brygning, ånggenerering och andra funktioner) blinkar alla indikatorer snabbt 5 gånger på samma gång när förvärmningen är klar. Detta är en påminnelse om avkalkning. Om du inte avkalkar kommer larmet att visas varje gång du använder maskinen. Återställ larmet genom att i vänteläge, trycka samtidigt på och i 3 sekunder hålla intryckta knapparna för manuell brygning och brygning av två koppar. De båda indikeringarna blinkar snabbt 3 gånger för att bekräfta att avkalkningslarmet återställs, och räkneverket för antalet arbetscykler återgår till noll.

Avkalkning

- För att säkerställa att din kaffemaskin hela tiden fungerar som den ska, att dess inre rörledningar är rena och kaffet smakar gott bör du avkalka maskinen varannan till var tredje månad.
- Fyll vattentanken upp till märket MAX med en blandning av vatten och avkalkningsmedel (i proportionerna 4 delar vatten och 1 del avkalkningsmedel – se detaljerade anvisningar från avkalkningsmedlets tillverkare). Använd avkalkningsmedel för hushållsbruk. Man kan använda citronsyra i stället för avkalkningsmedel (i så fall tar man 100 delar vatten till 3 delar citronsyra).
- Följ anvisningarna för förvärmning, sätt metalltratten på plats (men utan kaffe) och en kanna. Värm vattnet enligt anvisningarna under FÖRVÄRMNING.

4. Tryck på strömbrytaren. Strömindikeringen tänds. Tryck på kaffeknappen. Kontrollera att ångreglaget är i läget OFF. När vatten börjar flöda ut trycker du på knappen för kaffebruggning för att stoppa pumpen. Vänta en stund på att kaffemaskinen förvärms
5. När indikeringen på knappen för kaffebruggning lyser betyder detta att förvärmningen är klar. Tryck på knappen för bruggning av kaffe och släpp ut två koppar kaffe (cirka 6 cl.). Tryck på knappen för bruggning av kaffe för att stoppa pumpen.
6. Tryck på knappen för ånga. Knappen för kaffebruggning slocknar. Vänta tills indikeringen på ångknappen tänds. Producera ånga i 2 minuter genom att vrida på ångreglaget. Vrid därefter ångreglaget till läget OFF för att avbryta. Tryck sedan omedelbart på strömbrytaren för att stänga av apparaten. Låt avkalkningsmedlet verka i enheten under minst 15 minuter.
7. Tryck på strömbrytaren för att starta om enheten. Vänta tills indikeringen på knappen för kaffebruggning tänds. Tryck sedan på knappen för kaffebruggning och brygg tills inget avkalkningsmedel finns kvar.
9. Brygg med kranvatten påfyllt till nivån MAX, upprepa stegen 4–6 tre gånger och fortsatt sedan brygga tills inget vatten finns kvar i vattentanken.

Felsökning

Symptom	Orsak	Åtgärd
Det finns rost på metalldetaljer i tanken.	Fel typ av avkalkningsmedel har använts. Detta kan leda till att metalldelar i tanken rostar.	Använd ett avkalkningsmedel som rekommenderas av tillverkaren.
Det läcker ut vatten under kaffemaskinen	Droppbrickan är full.	Rengör droppbrickan.
	Kaffemaskinen är trasig.	Kontakta en auktoriserad serviceverkstad för reparation.
Vatten läcker ut från filtrets ytersida.	Det har hamnat malet kaffe på filtrets kant.	Ta bort det.
Espressokaffet smakar surt (vinägersmak).	Otillräcklig rengöring efter avkalkning.	Rengör kaffemaskinen flera gånger enligt anvisningarna under "Innan du använder produkten för första gången".
	Det malda kaffet har förvarats länge på varm och fuktig plats. Kaffet förstörs av detta.	Använd färskt malet kaffe. Eller förvara oanvänt kaffe torrt och svalt. Efter att du har öppnat ett kaffepaket ska du återförsluta det noggrant och förvara det i kylan för att hålla det färskt.
Kaffemaskinen har slutat att fungera.	Eluttaget är inte ordentligt inkopplat.	Se till att nätsladden är korrekt ansluten till ett fungerande vägguttag. Om maskinen trots detta inte fungerar ska du kontakta auktoriserad serviceverkstad för reparation.
Ångmunstycket kan inte göra mjölkskum.	Indikatorn för ånga lyser inte.	Först när indikatorn för ånga är tänd går det att använda ångan till att göra skum.
	Behållaren är för stor eller har olämplig form.	Använd en smal och hög behållare.
	Du har använt lättmjölk eller skummjölk	Använd standardmjölk eller mellanmjölk

Denna utrustning är märkt enligt EU-direktivet 2012/19/EG om elektriskt och elektroniskt avfall – WEEE. Detta direktiv gäller inom hela Europeiska Unionen och anger villkoren för insamling och hantering av avfall som består av eller innehåller elektriska och elektroniska.

MILJÖPÅVERKAN

I slutet av produktens livslängd får den inte kastas med det vanliga hushållsavfallet. Lämna den till en godkänd återvinningscentral. På detta sätt hjälper du till att skydda miljön.

GARANTI OCH REPARATIONER

För mer information eller om problem skulle uppstå kontaktar du Gorenjes kontaktcenter i ditt land (telefonnumret finns angivet i vårt internationella garantiblåd). Om det inte finns något kontaktcenter i ditt land kan du kontakta Gorenjes lokala återförsäljare eller Gorenjes avdelning för små hushållsapparater.
Endast för hushållsbruk!

HISENSE
VI HOPPAS ATT DU BLIR NÖJD MED DIN PRODUKT.

Tärkeää

Lue tämä käyttöohje huolellisesti ennen laitteen käyttöä ja tallenna se myöhempiä käyttöä varten.

Turvallisuusvaroitukset

Ennen sähkölaitteen käyttöä on aina noudatettava perusvarotoimia, mukaan lukien seuraavat:

1. Lue kaikki ohjeet.
2. Tarkista ennen käyttöä, että pistorasian jännite vastaa laitteen arvokilvessä ilmoitettua nimellisjännitettä.
3. Tämä laite on varustettu maadoitetulla pistokkeella. Varmista, että talosi pistorasia on maadoitettu asianmukaisesti.
4. Tulipalon, sähköiskun ja henkilövahinkojen estämiseksi johtoa tai pistotulppaa ei saa upottaa veteen tai muuhun nesteeseen.
5. Irrota pistoke pistorasiasta ennen puhdistusta ja kun laitetta ei käytetä. Anna laitteen jäähtyä täysin ennen osien irrottamista tai kiinnittämistä tai ennen puhdistusta.
6. Älä käytä laitetta, jos sen johto tai pistoke on vaurioitunut. Jos laitteessa on toimintahäiriö tai se on pudonnut tai vaurioitunut millään tavalla, palauta laite lähimpään valtuutettuun huoltoliikkeeseen tutkittavaksi, korjattavaksi tai sähköistä tai mekaanista säätöä varten.
7. Muiden kuin laitteen valmistajan suosittelemien lisävarusteiden käyttö voi aiheuttaa tulipalon, sähköiskun tai henkilövahinkoja.
8. Aseta laite tasaiselle alustalle tai pöydälle. Älä jätä virtajohtoa riippumaan pöydän tai tason reunan yli.
9. Varmista, ettei virtajohto kosketa laitteen kuumaa pintaa.
10. Vaurioiden välttämiseksi älä aseta kahvikonetta kuumalle pinnalle tai avotulen viereen.
11. Katkaise virta irrottamalla pistoke pistorasiasta. Kun irrotat pistokkeen pistorasiasta, muista aina vetää pistokkeesta eikä johdosta.
12. Älä käytä laitetta muuhun kuin sille tarkoitettuun käyttötarkoitukseen. Sijoita se kuivaan ympäristöön.
13. Tarkka valvonta on välttämätöntä, kun laitetta käytetään lasten läheisyydessä.
14. Varo, ettet polta itseäsi höyryllä.
15. Älä koske laitteen kuumaa pintaa. Käytä kahvaa tai nuppeja.
16. Älä jätä kahvikonetta toimimaan ilman vettä.
17. Älä irrota metallisuppilaa, kun laite valmistaa kahvia tai vapauttaa höyryä.
18. Liitä pistoke pistorasiaan ennen käyttöä ja sammuta laite, ennen kuin pistoke irrotetaan pistorasiasta.

19. Tätä laitetta voivat käyttää 8-vuotiaat tai sitä vanhemmat lapset ja henkilöt, joilla on alentunut fyysinen, aistitoimintoihin liittyvä tai henkinen toimintakyky tai joilta puuttuu kokemusta ja tietoa, jos heitä valvotaan asianmukaisesti tai heille on annettu opastusta laitteen turvalliseksi käyttämiseksi ja he ymmärtävät siihen liittyvät vaarat. Lapset eivät saa leikkiä laitteella. Alle 8-vuotiaat lapset eivät saa puhdistaa tai huoltaa laitetta ilman valvontaa.

20. Lapsia on valvottava, etteivät he leiki laitteella.

21. Käyttö- tai varastointilämpötilan on oltava yli 0 °C.

22. Tämä laite on tarkoitettu käytettäväksi kotitalouksissa ja vastaavissa ympäristöissä, kuten:

– henkilökunnan keittiöissä myymälöissä, toimistoissa ja muissa työympäristöissä

– maataloissa

– asiakkaiden käyttöön hotelleissa, motelleissa ja muissa asumistyyppisissä ympäristöissä;

– majatalotyyppisissä ympäristöissä.

23. Älä käytä laitetta ulkona.

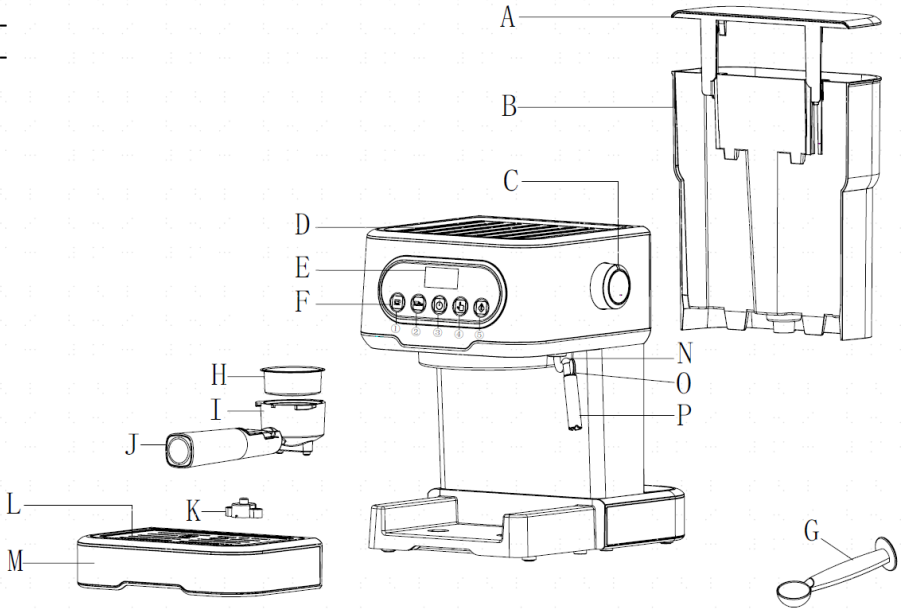
24. Säilytä nämä ohjeet.

25. Jos tuotetta ei käytetä pitkään aikaan, kytke virta päälle ja vapauteta höyryä 3 minuuttia, ennen kuin poistut tuotteen luota.

26. Jos sähkökatko tapahtuu höyryä vapauttamisen aikana, jäännöslämpö saa tuotteen jatkamaan höyryä vapauttamista pitkään. Tuote lakkaa vapauttamasta höyryä heti, kun kytket höyrynupin pois päältä.

Tunne kahvikoneesi

- 1-
- 2-
- 3-



- A. Vesisäiliön kansi
B. Vesisäiliö
C. Höyrönsäätönuppi
D. Yläkansi
E. Näyttö
F. Ohjauspaneeli (①1 kupin painike②2 kupin painike③Virtapainike④Manuaalinen kahvipainike⑤Höryypainike)
G. Mittalusikka
H. Teräsverkko

- I. Metallisuppilo
J. Suppilon kahva
K. Uimurin kansi
L. Irrotettava kuppihylly
M. Tippakaukalo Vaahtosuutin
N. Höyryputken kahva
O. Höyryvipu
P. Vaahtosuutin

Ennen ensimmäistä käyttökertaa

Jotta ensimmäinen kupillinen kahvia maistuisi erinomaiselta, huuhtele kahvikone lämpimällä vedellä seuraavasti:

1. Avaa vesisäiliön kansi, täytä vettä vesisäiliöön, vedenpinta ei saa ylittää vesisäiliön MAX-merkkiä. Aseta sitten vesisäiliön kansi takaisin paikalleen.
Huom: Laitteen mukana toimitetaan irrotettava vesisäiliö, joka on helppo puhdistaa. Voit täyttää vesisäiliön ensin vedellä ja kiinnittää sen sitten laitteeseen.
2. Aseta teräsverkko metallisuppiloon (ilman kahvia teräsverkossa), varmista, että suppilon putki on linjassa laitteen uran kanssa, aseta sitten suppilo laitteeseen "INSERT"-asennosta ja kiinnitä ne kahvikoneeseen kääntämällä vastapäivään "LOCK"-asentoon saakka.
3. Aseta kannu irrotettavalle kuppihyllylle. Varmista, että höyrynsäätönuppi on OFF-asennossa.
4. Liitä pistoke pistorasiaan ja paina virtapainiketta. Virran merkkivalo syttyy valkoisena, 1 kupin painikkeen, 2 kupin painikkeen, manuaalisen kahvipainikkeen ja höyrypainikkeen merkkivalot vilkkuvat, kone käynnistää esilämmityksen ja kun kaikki merkkivalot palavat yhtäjaksoisesti, esilämmitys on valmis.
Huom: Jos esilämmitystä ei ole vielä suoritettu, paina 1 kupin kahvipainiketta, 2 kupin kahvipainiketta tai manuaalista kahvipainiketta, pumppu ei toimi; jos haluat höyryttää, paina höyrypainiketta.
5. Paina manuaalista kahvipainiketta. Laitte pumpppaa vettä noin 30 sekuntia. Kaada vettä kuppiin ja puhdista ne sitten huolellisesti. Laitte on nyt valmis kahvin valmistamiseen.
Huom: Kun vettä pumpataan ensimmäistä kertaa, laitteesta voi kuulua melua. Tämä on täysin normaalia, koska laite vapauttaa ilmaa sisällään. Melu lakkaa noin 20 sekunnin kuluttua.
Huom: Ennen ensimmäistä käyttökertaa painikkeen merkkivalo vilkkuu nopeasti ilmaisten hälytystä, koska keittimessä ei ole vettä. Pidä manuaalista kahvipainiketta painettuna, kunnes pumppu lakkaa toimimasta ja hälytys kytkeytyy pois päältä. Tämän jälkeen voidaan aloittaa kahvinvalmistus.

Esilämmitys

Maistuvaa ja kuumaa Espresso-kupillista varten suosittelemme, että esilämmität laitteen ennen kahvin valmistamista, mukaan lukien metallisuppilo, teräsverkko ja kuppi, jotta kylmät osat eivät vaikuta kahvin makuun.

1. Poista irrotettava vesisäiliö ja avaa vesisäiliön kansi veden täyttämistä varten. Vedenpinta ei saa ylittää säiliön "MAX"-merkkiä. Aseta sitten vesisäiliö takaisin paikalleen.
2. Aseta teräsverkko metallisuppiloon, varmista, että suppilon putki on linjassa laitteen uran kanssa, aseta sitten suppilo laitteeseen "INSERT"-asennosta ja kiinnitä ne kahvikoneeseen kääntämällä vastapäivään "LOCK"-asentoon saakka.
3. Aseta espressokuppi irrotettavalle kuppihyllylle.
4. Liitä sitten laite virtalähteeseen. Varmista, että höyrynsäätönuppi on OFF-asennossa.
5. Paina virtapainiketta. Virran merkkivalo syttyy valkoisena, 1 kupin kahvipainikkeen, 2 kupin kahvipainikkeen ja manuaalisen kahvipainikkeen merkkivalot vilkkuvat, kone käynnistää esilämmityksen ja kun kaikki merkkivalot palavat yhtäjaksoisesti, esilämmitys on valmis.
Paina manuaalista kahvipainiketta, jolloin kone pumpppaa vettä. Kun vettä virtaa ulos, paina tätä kahvipainiketta uudelleen lopettaaksesi veden pumpppaaminen välittömästi. Tämän vaiheen tarkoituksena on pumpata vesisäiliön vesi keittimeen.
6. Kun kahvipainikkeen merkkivalo syttyy, esilämmitys on valmis

Espresson valmistaminen

1. Poista suppilo kääntämällä sitä myötöpäivään. Lisää jauhettu kahvi teräsverkkoon mittalusikalla. Lusikallisella kahvijauhetta saa noin kupillisen huippuluokan kahvia. Paina sitten kahvijauhetta tiukasti painimella.
2. Aseta teräsverkko metallisuppiloon, varmista, että suppilon putki on linjassa laitteen uran kanssa, aseta sitten suppilo laitteeseen "INSERT"-asennosta ja kiinnitä ne kahvikoneeseen kääntämällä vastapäivään "LOCK"-asentoon saakka.
3. Aseta kuppi irrotettavalle kuppihyllylle.
4. Kun esilämmitys on valmis, paina 1 tai 2 kupin kahvipainiketta, jolloin tuote alkaa valmistaa kahvia. 1 kupillisen valmistuminen kestää 15 sekuntia ja 2 kupillisen 25 sekuntia. Jos haluat saada haluamasi määrän kahvia, paina manuaalista kahvipainiketta kerran, ja kun haluamasi määrä kahvia on valmistettu, lopeta valmistus painamalla samaa painiketta uudelleen. Manuaalista kahvipainiketta käytettäessä valmistumisaika on 90 sekuntia. Yksikkö lakkaa toimimasta automaattisesti, jos mitään toimintoja ei suoriteta 90 sekunnin kuluessa.
5. Kun vastaava kahvipainikkeen merkkivalo syttyy ja jos se sammuu, odota hetki. Kun se syttyy uudelleen, paina vastaavaa kahvipainiketta ja odota hetki, kunnes kahvia alkaa valua ulos.
6. Paina kahvipainiketta, kunnes haluttu määrä kahvia on saatu tai kahvin väri muuttuu selvästi heikoksi. Kahvikone lakkaa toimimasta, jos kahvipainikkeen merkkivalo sammuu. Odota hetki. Kun kahvipainikkeen merkkivalo syttyy uudelleen, voit jatkaa kahvin valmistusta.
7. Paina 1 kupin painiketta 3 sekuntia, 1 kupin painike viikkuu ja laite siirtyy asetustilaan, paina 1 kupin painiketta uudelleen kahvin annostelun aloittamiseksi, kun määritetty aika on saavutettu, paina 1 kupin painiketta asetuksen suorittamiseksi loppuun, joka voidaan tallentaa laitteen muistiin. 1 kupillisen valmistumisaikaksi voidaan asettaa enintään 45 sekuntia. Jos asetetaan 1 kupillisen valmistumiskesto, 2 kupillisen kesto päivitetään automaattisesti 2-kertaiseksi 1 kupillisen kahvin keston verrattuna. 2 kupillisen valmistumiskestoksi voidaan asettaa jopa 90 sekuntia. Jos asetetaan 2 kupillisen valmistumiskesto, 1 kupillisen kesto päivitetään automaattisesti puoleen 2 kupillisen kestopäivästä.
VAROITUS: Älä jätä kahvikonetta ilman valvontaa kahvin valmistuksen aikana, sillä sitä on käytettävä ajoittain manuaalisesti!
8. Kun olet valmistanut kahvin, poista metallisuppilo kääntämällä sitä myötöpäivään ja kaada sitten kahvijäämät pois painamalla teräsverkkoa puristusvivulla.
9. Anna niiden jäähtyä täysin ja huuhtele sitten juoksevan veden alla.

Kuuman veden valmistaminen

Kun tuote on esilämmitetty, vapauta kuuma vesi kääntämällä höyryruppia ja käynnistä kuuman veden valmistus painamalla manuaalista kahvipainiketta. Paina manuaalista kahvipainiketta uudelleen ja viimeistele kuuman veden valmistus sulkemalla höyryruppi.

Cappuccinon/vaahdotetun maidon valmistaminen

Saat kupin cappuccinoa lisäämällä vaahdotettua maitoa kupilliseen espresso. Menetelmä:

1. Valmista espresso ensin riittävän suurella astialla kohdan "ESPRESSON VALMISTAMINEN" mukaisesti. Varmista, että höyrynsäätönuppi on OFF-asennossa.
2. Paina höyrypainiketta, jolloin kahvipainikkeen merkkivalo sammuu. Odota, kunnes höyrypainikkeen merkkivalo syttyy.
Huom: Käytön aikana höyrypainikkeen merkkivalo syttyy ja sammuu halutun lämpötilan ylläpitämiseksi.
3. Täytä kannuun noin 100 ml maitoa jokaista valmistettavaa cappuccinoa kohti. On suositeltavaa käyttää täysmaitoa jääkaappilämpötilassa (ei kuuma!).
Huom: Kannun kokoa valittaessa suositellaan, että halkaisija on vähintään 70±5 mm. Muista, että maidon tilavuus kasvaa 2-kertaiseksi. Varmista, että kannu on tarpeeksi korkea.

4. Käännä höyrinsäätönappia hitaasti vastapäivään, höyryä tulee ulos vaahdotussuuttimesta.
Huom: Älä koskaan käännä höyrinsäätöpainiketta nopeasti, sillä höyry kerääntyy nopeasti lyhyessä ajassa, mikä voi lisätä räjähdysvaaraa.
5. Työnnä vaahdotussuutinta maitoon noin kaksi senttimetriä. Vaahdota maito liikuttamalla astiaa ylös ja alas.
6. Kun haluttu tulos on saavutettu, käännä höyrinsäätönappi OFF-asentoon.
Huom: Puhdista höyrinpoistoaukko märällä sienellä heti, kun höyrin muodostus lakkaa.
Varo, ettet vahingoita itseäsi!
7. Kaada vaahdotettu maito valmistettuun espressoon. Cappuccino on nyt valmis. Makeuta maun mukaan ja ripottele haluttaessa päälle hieman kaakaojauhetta.
8. Katkaise virta painamalla virtapainiketta. Kaikki merkkivalot sammuvat.
9. Kun höyrytoimintoa käytetään yli 180 sekuntia yhdellä jatkuvalla toiminnolla, höyrin merkkivalo vilkkuu nopeasti hälytyksen merkiksi. Paina tässä tapauksessa kahvipainiketta jäähdyttämistä varten, jolloin kone siirtyy valmiustilaan jäähdytyään ensin normaaliin lämpötilaan.
Huom: Jos haluat valmistaa kahvia heti höyrytyksen jälkeen, kahvin merkkivalo vilkkuu hälytyksen merkiksi kahvipainiketta painettaessa. Käännä silloin höyrinsäätönappi ON-asentoon kuuman veden pumppaamiseksi, jotta laite jäähtyy.

Automaattinen virrankatkaisutoiminto

Jos mitään toimintoa ei suoriteta 25 minuutin kuluessa, laite katkaisee virran automaattisesti.

Puhdistus ja huolto:

1. Sammuta kahvikone ja anna sen jäähtyä täysin ennen puhdistusta.
2. Puhdista kahvikoneen kotelo kosteudenkestävällä sienellä usein ja puhdista vesisäiliö, tippakaukalo ja irrotettava kuppipihly säännöllisesti ja kuivaa ne puhdistuksen jälkeen.
Huom: Älä puhdista alkoholilla tai liuotinpuhdistusaineella. Älä koskaan upota koteloa veteen puhdistusta varten.
3. Irrota metallisuppilo kääntämällä sitä myötäpäivään. Poista kahvijäämät sisältä, puhdista suppilo puhdistusaineella ja huuhtele lopuksi puhtaalla vedellä.
4. Puhdista kaikki lisäosat vedessä ja kuivaa ne huolellisesti.
5. Kun kone on ollut käytössä 500 syklin ajan (mukaan lukien kahvi, höyry ja muut toiminnot), kaikki merkkivalot vilkkuvat nopeasti 5 kertaa samanaikaisesti esilämmityksen päätyttyä muistuttaen kalkinpoistosta. Jos et suorita kalkinpoistoa, tämä tapahtuu joka kerta, kun käytät konetta. Paina valmiustilassa samanaikaisesti manuaalista kahvipainiketta ja 2 kupin kahvipainiketta 3 sekunnin ajan, jolloin molemmat merkkivalot vilkkuvat nopeasti 3 kertaa muistuttaen kalkinpoiston peruuttamista. Tämän jälkeen toimintasyklien määrä palautuu nolleen.

Mineraalipintymien puhdistaminen

1. Jotta varmistetaan, että kahvikone toimii tehokkaasti, sisäinen putkisto on puhdas ja kahvin maku optimaalinen, puhdista mineraalipintymät 2-3 kuukauden välein.
2. Täytä vesisäiliö vedellä ja kalkinpoistoaineella MAX-tasoon asti (veden ja kalkinpoistoaineen sekoitussuhde on 4:1, tiedot viittaavat kalkinpoistoaineen ohjeeseen). Käytä "kotitalouksiin tarkoitettua kalkinpoistoainetta". Kalkinpoistoaineen sijasta voidaan käyttää myös sitruunahappoa (saatavana apteekkeista). Silloin sekoitussuhde on sata osaa vettä kolmeen osaan sitruunahappoa.
3. Aseta esilämmitysohjelman mukaan metallisuppilo (ilman kahvijauhetta) ja kannu paikalleen. Keitä vesi kohdan "ESILÄMMITYS" mukaisesti.
4. Paina virtapainiketta, virran merkkivalo syttyy, paina kahvipainiketta ja varmista, että höyrinsäätönappi on OFF-asennossa. Kun vettä virtaa ulos, paina kahvipainiketta pumppaamisen lopettamiseksi ja odota hetki, kunnes kahvikone aloittaa esilämmityksen.
5. Kun kahvipainikkeen merkkivalo syttyy, esilämmitys on valmis. Paina kahvipainiketta ja valmistaa kaksi kupillista kahvia (noin 20 sekuntia). Lopeta pumppaaminen painamalla kahvipainiketta.

6. Paina höyrypainiketta, jolloin kahvipainikkeen merkkivalo sammuu. Odota, kunnes höyrypainikkeen merkkivalo syttyy. Höyrytä 2 minuuttia kääntämällä höyrynsäätönuppia. Lopeta höyrytys kääntämällä höyrynsäätönappi OFF-asentoon. Sammuta laite välittömästi painamalla virtapainiketta. Suorita vähintään 15 minuutin kalkinpoisto laitteen sisällä.
7. Käynnistä laite uudelleen painamalla virtapainiketta ja odota, kunnes kahvipainikkeen merkkivalo syttyy. Keitä painamalla kahvipainiketta, kunnes kalkinpoistoainetta ei ole jäljellä.
9. Keitä vesijohtovedellä MAX-tasolla. Toista vaiheet 4-6 kolme kertaa ja keitä sitten, kunnes vesisäiliössä ei ole enää jäljellä vettä.

Vianetsintä

Ongelma	Syy	Korjaus
Säiliön metalliosissa on ruostetta.	Kalkinpoistoaine ei ole suositeltua tyyppiä. Se voi syövyttää säiliön metalliosia.	Käytä valmistajan suosittelemaa kalkinpoistoainetta.
Vettä vuotaa kahvikoneen pohjasta.	Tippakaukalossa on paljon vettä.	Puhdista tippakaukalo.
	Kahvikoneessa on toimintahäiriö.	Ota yhteyttä valtuutettuun huoltoliikkeeseen korjausta varten.
Vettä vuotaa suodattimen ulkopuolelta.	Suodattimen reunalla on kahvijauhetta.	Poista ne.
Espressokahvi maistuu hapolle (etikalle).	Ei puhdista oikein mineraalipintymien puhdistuksen jälkeen. Kahvijauhetta on säilytetty pitkään kuumassa, märässä paikassa. Kahvijauhe muuttuu huonoksi.	Puhdista kahvikone useita kertoja kohdan "Ennen ensimmäistä käyttökertaa" mukaisesti. Käytä tuoretta kahvijauhetta tai säilytä käyttämätön kahvijauhe viileässä ja kuivassa paikassa. Kun olet avannut kahvipaketin, sulje se tiiviisti ja säilytä jääkaapissa tuoreuden säilyttämiseksi.
Kahvikone ei toimi.	Pistoke ei ole kunnolla pistorasiassa.	Kytke virtajohto pistorasiaan oikein. Jos laite ei vielä kukaan toimi, ota yhteyttä valtuutettuun huoltoliikkeeseen korjausta varten.
Höyry ei vaahdota.	Höyryn merkkivalo ei pala.	Höyryä voidaan käyttää vaahdottamiseen vasta sen jälkeen, kun höyryn merkkivalo syttyy.
	Säiliö on liian suuri tai muoto ei sovi.	Käytä korkeaa ja kapeaa säiliötä.
	Olet käyttänyt rasvatonta maitoa.	Käytä täysmaitoa tai kevytmaitoa

Tämä laite on merkitty sähkö- ja elektroniikkalaiteromusta (WEEE) annetun eurooppalaisen direktiivin 2012/19/EY mukaisesti. Direktiivissä määritellään sähkö- ja elektroniikkalaiteromun keräämistä ja käsittelyä koskevat vaatimukset, jotka ovat voimassa koko Euroopan unionissa.

YMPÄRISTÖ

Älä hävitä laitetta tavallisen talousjätteen mukana laitteen käyttöön lopussa. Toimita se valtuutettuun kierrätyskeskukseen. Tämä auttaa säästämään ympäristöä.

TAKUU JA KORJAUS

Jos tarvitset lisätietoja tai tuotteen kanssa ilmenee ongelmia, ota yhteyttä maasi Gorenje-asiakaspalveluun (puhelinnumero löytyy kansainvälisestä takuulomakkeesta). Jos maassasi ei ole tällaista asiakaspalvelua, ota yhteyttä paikalliseen Gorenje-jälleenmyyjään tai Gorenjen kodinkoneosastoon.

Vain henkilökohtaiseen käyttöön!

HISENSE

TOIVOTTA MUKAVIA HETKIÄ LAITTEESI SEURASSA.

Ważne

Przed rozpoczęciem użytkowania urządzenia należy dokładnie przeczytać niniejszą instrukcję obsługi i zachować ją na przyszłość.

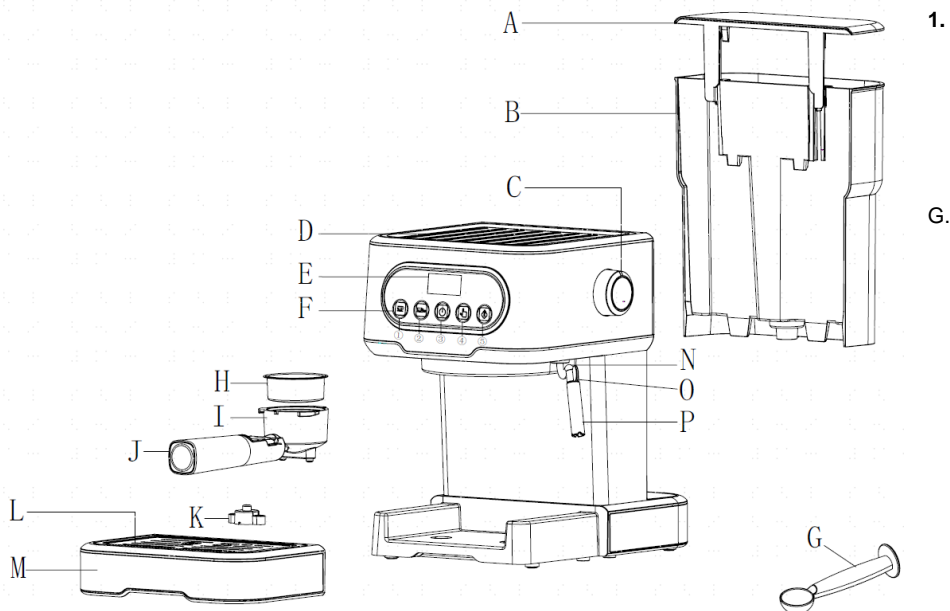
Uwagi dotyczące bezpieczeństwa

Przed użyciem urządzenia elektrycznego należy zawsze przestrzegać podstawowych środków ostrożności, w tym:

1. Przeczytać wszystkie instrukcje.
2. Przed użyciem należy sprawdzić, czy napięcie sieci elektrycznej odpowiada napięciu wskazanym na tabliczce znamionowej urządzenia.
3. Urządzenie to zostało wyposażone we wtyczkę z uziemieniem. Należy upewnić się, że gniazdo ścienna w Twoim domu jest odpowiednio uziemione.
4. W celu ochrony przed pożarem, porażeniem prądem i obrażeniami ciała nie należy zanurzać przewodu lub wtyczki w wodzie lub innym płynie.
5. Przed czyszczeniem i gdy urządzenie nie jest używane, należy wyjąć wtyczkę z gniazdka ściennego. Przed demontażem lub montażem elementów lub przed czyszczeniem odczekać do całkowitego ostygnięcia urządzenia.
6. Nie należy używać żadnego urządzenia z uszkodzonym kablem lub wtyczką. W przypadku awarii, upuszczenia lub uszkodzenia urządzenia w jakikolwiek sposób, należy zwrócić je do najbliższego autoryzowanego serwisu w celu sprawdzenia, naprawy lub regulacji elektrycznej lub mechanicznej.
7. Użycie akcesoriów niezalecanych przez producenta urządzenia może spowodować pożar, porażenie prądem elektrycznym lub obrażenia ciała.
8. Umieścić urządzenie na płaskiej powierzchni lub stole, nie należy zawieszać przewodu zasilającego nad krawędzią stołu lub lady.
9. Upewnić się, że kabel zasilający nie dotyka gorącej powierzchni urządzenia.
10. Aby uniknąć uszkodzeń, nie należy umieszczać ekspresu do kawy na gorącej powierzchni lub obok ognia.
11. Aby odłączyć, należy wyjąć wtyczkę z gniazdka elektrycznego. Wyciągając wtyczkę, zawsze upewnić się, że pociągasz za wtyczkę, a nie za przewód.
12. Używać urządzenia tylko zgodnie z przeznaczeniem i umieścić je w suchym środowisku.
13. Ścisły nadzór jest konieczny, gdy urządzenie jest używane w pobliżu dzieci.
14. Uważać, żeby nie poparzyć się parą.

15. Nie należy dotykać gorącej powierzchni urządzenia. Używać uchwytu lub pokręteł.
16. Nie pozwól, aby ekspres do kawy pracował bez wody.
17. Nie wyjmować metalowego lejka, gdy urządzenie parzy kawę lub wypuszcza parę.
18. Przed użyciem należy podłączyć wtyczkę do gniazdka ściennego oraz wyłączyć urządzenie przed wyciągnięciem wtyczki z gniazdka.
19. Dzieci w wieku powyżej 8 lat oraz osoby o ograniczonej sprawności fizycznej, czuciowej lub umysłowej, jak również nieposiadające odpowiedniego doświadczenia i wiedzy, mogą korzystać z urządzenia tylko pod nadzorem lub po szkoleniu w zakresie bezpiecznego korzystania z urządzenia i uświadomieniu o potencjalnych zagrożeniach. Dzieciom nie wolno bawić się z urządzeniem. Dzieci nie powinny czyścić i konserwować urządzenia, chyba że mają więcej niż 8 lat i są pod nadzorem.
20. Dzieci powinny być pod nadzorem, aby upewnić się, że nie bawią się urządzeniem.
21. Temperatura środowiska pracy lub przechowywania powinna być wyższa niż 0°C.
22. Urządzenie jest przeznaczone do użytku domowego i podobnych zastosowań, np.:
 - w kuchniach/stołówkach przeznaczonych dla personelu sklepowego, biurowego itp.;
 - w gospodarstwach agroturystycznych;
 - w miejscach noclegowych, jak np. hotele, motele itp.;
 - w obiektach oferujących noclegi ze śniadaniem.
23. Nie używać na zewnątrz.
24. Należy zachować tę instrukcję.
25. Jeśli produkt nie będzie używany przez dłuższy czas, należy włączyć zasilanie, a następnie wypuścić parę na 3 minuty przed pozostawieniem produktu.
26. Jeżeli podczas uwalniania pary wodnej nastąpi odcięcie zasilania, ciepło resztkowe spowoduje, że produkt będzie nadal uwalniał parę przez dłuższy czas. Produkt przestanie uwalniać parę natychmiast po wyłączeniu pokręta parowego.

Poznaj swój ekspres do kawy



- A. Pokrywa zbiornika na wodę
- B. Zbiornik na wodę
- C. Pokrętło kontroli pary wodnej
- D. Pokrywa górna
- E. Ekran
- F. Panel sterowania (① przycisk do robienia kawy w 1 filiżance ② przycisk do robienia kawy w 2 filiżankach ③ Przycisk zasilania ④ Przycisk ręcznego robienia kawy ⑤ Przycisk podawania pary)

- G. Łyżka pomiarowa
- H. Stalowa siatka
- I. Metalowy lejek
- J. Uchwyt lejka
- K. Pokrywa przelewu
- L. Zdemontowalna półka na filiżankę
- M. Taca ociekowa
- N. Uchwyt przewodu parowego
- O. Dysza pary
- P. Dysza spieniająca

Przed pierwszym użyciem

Aby pierwsza filiżanka kawy smakowała doskonale, należy przepłukać ekspres ciepłą wodą w następujący sposób:

1. Otwórz pokrywę zbiornika na wodę, napełnij zbiornik wodą, poziom wody nie powinien przekraczać znaku "MAX" na zbiorniku wody.
Następnie załóż pokrywę zbiornika na wodę.
Uwaga: urządzenie posiada wymijalny zbiornik na wodę w celu łatwego czyszczenia. Możesz najpierw napełnić zbiornik na wodę, a następnie podłączyć go do urządzenia.
2. Włóż stalową siatkę do metalowego lejka (bez kawy w stalowej siatce), upewnij się, że rurka na lejuku jest równo z rowkiem w urządzeniu, a następnie włóż lejek do urządzenia z pozycji "INSERT" i zamocuj go mocno w ekspresie do kawy, przekręcając go w kierunku przeciwnym do ruchu wskazówek zegara, aż znajdzie się w pozycji "LOCK".
3. Umieść dzbanek na zdejmowalnej półce na filiżanki. Upewnij się, że pokrętko sterowania parą jest w pozycji OFF.
4. Podłącz do źródła zasilania, wciśnij przycisk zasilania, wskaźnik zasilania świeci się na biało. Kontrolki przycisku do robienia kawy w 1 filiżance, przycisku do robienia kawy w 2 filiżankach, przycisku ręcznego robienia kawy i przycisku podawania pary zaczną migać, urządzenie rozpoczyna wstępne podgrzewanie. Gdy wszystkie kontrolki się wyłączą, oznacza to, że wstępne podgrzewanie jest zakończone.
Uwaga: Jeśli podgrzewanie wstępne nie zostało zakończone, należy nacisnąć przycisk do robienia kawy w 1 filiżance, przycisk do robienia kawy w 2 filiżankach lub przycisk ręcznego robienia kawy, pompa nie działa; jeśli chcesz zrobić parę, naciśnij przycisk podawania pary.
5. Naciśnij przycisk ręcznego robienia kawy, urządzenie będzie pompować wodę przez około 30 s. Wylej wodę do filiżanki, a następnie dokładnie ją oczyść, teraz urządzenie jest gotowe do przygotowania kawy.
Zauważ: Podczas pompowania wody po raz pierwszy może wystąpić hałas, normalne jest, że urządzenie wypuszcza powietrze do środka. Po około 20 sekundach hałas zniknie.
Zauważ: Przed pierwszym użyciem wskaźnik przycisku będzie szybko migał, co sygnalizuje alarm, ponieważ w zbiorniku nie ma wody. Naciśnij przycisk ręcznego robienia kawy i przytrzymaj go, aż pompa przestanie działać, a alarm zostanie wyłączony. Następnie można rozpocząć proces parzenia kawy.

Wstępne podgrzewanie

Aby przygotować filiżankę dobrej, gorącej kawy espresso, zalecamy przed rozpoczęciem parzenia kawy wstępne podgrzanie urządzenia, w tym metalowego lejka, stalowej siatki i filiżanki, aby zimne części nie wpływały na smak kawy.

1. Zdejmij zbiornik na wodę i otwórz pokrywę zbiornika na wodę, aby napełnić go wodą; poziom wody nie powinien przekraczać znaku "MAX" w zbiorniku. Załóż zbiornik ponownie.
2. Włóż stalową siatkę do metalowego lejka, upewnij się, że rurka na lejuku jest równo z rowkiem w urządzeniu, a następnie włóż lejek do urządzenia z pozycji "INSERT" i zamocuj go mocno w ekspresie do kawy, przekręcając go w kierunku przeciwnym do ruchu wskazówek zegara, aż znajdzie się w pozycji "LOCK".
3. Umieść filiżankę do espresso na zdejmowalnej półce na filiżanki.
4. Następnie należy podłączyć urządzenie do źródła zasilania. Upewnij się, że pokrętko sterowania parą jest w pozycji OFF.
5. Naciśnij przycisk zasilania, wskaźnik zasilania świeci się na biało, wskaźniki przycisku do robienia kawy w 1 filiżance, przycisku do robienia kawy w 2 filiżankach i przycisku ręcznego robienia kawy zaczną migać, a ekspres rozpoczyna podgrzewanie. Gdy wszystkie wskaźniki zaczną świecić się stałym światłem, oznacza to, że podgrzewanie zostało zakończone. Naciśnij przycisk ręcznego robienia kawy, ekspres pompuje wodę, ponownie naciśnij ten sam przycisk, aby natychmiast zatrzymać pompowanie wody. Celem tego kroku jest pompowanie wody ze zbiornika na wodę do kotła.

6. Gdy świeci się wskaźnik przycisku kawy, oznacza to, że ogrzewanie wstępne zostało zakończone.

Robienie espresso

1. Wyjmij lejek, przekręcając go zgodnie z ruchem wskazówek zegara. Dodaj zmieloną kawę do stalowej siatki za pomocą łyżki pomiarowej. Z łyżki zmielonej kawy można zrobić około 1 filiżanki kawy najwyższej jakości. Następnie ubij mocno zmieloną kawę za pomocą ubijaka.
2. Włóż stalową siatkę do metalowego lejka, upewnij się, że rurka na lejku jest równo z rowkiem w urządzeniu, a następnie włóż lejek do urządzenia z pozycji "INSERT" i zamocuj go mocno w ekspresie do kawy, przekręcając go w kierunku przeciwnym do ruchu wskazówek zegara, aż znajdzie się w pozycji "LOCK".
3. Umieść filiżankę na zdejmowalnej półce na filiżanki.
4. Po zakończeniu podgrzewania należy nacisnąć przycisk do robienia kawy w 1 lub w 2 filiżankach, urządzenie rozpocznie parzenie. Czas pracy dla kawy w 1 filiżance wynosi 15 sekund, a dla kawy w 2 filiżankach 25 sekund. Jeśli chcemy uzyskać żądaną ilość kawy, należy nacisnąć raz przycisk ręcznego robienia kawy, po osiągnięciu żądanej ilości kawy, należy ponownie nacisnąć ten przycisk, aby zatrzymać robienie kawy. Dla przycisku ręcznego robienia kawy czas pracy wynosi maks. 90 s. Urządzenie automatycznie zatrzyma pracę, jeśli w ciągu 90 s nie zostanie wykonana żadna operacja.
5. Po pewnym czasie powinien zaświecić się odpowiedni przycisk kawy, jeśli zgaśnie, należy odczekać chwilę. Po ponownym zaświeceniu należy nacisnąć odpowiedni przycisk kawy, odczekać chwilę, a nastąpi wypływ kawy.
6. Naciśnij przycisk kawy po uzyskaniu żądanej kawy lub gdy kolor kawy wskazuje, że zaczyna być zbyt słaba. Ekspres przestaje działać, jeśli wskaźnik przycisku kawy zgaśnie. Odczekaj chwilę, wskaźnik przycisku kawy ponownie się zaświeci, można kontynuować robienie kawy.
7. Naciśnij i przytrzymaj przycisk do robienia kawy w 1 filiżance przez 3 sekundy, przycisk zacznie migać, przechodząc do trybu ustawień. Ponownie naciśnij przycisk do robienia kawy w 1 filiżance, aby rozpocząć robienie kawy. Po osiągnięciu określonego czasu naciśnij przycisk do robienia kawy w 1 filiżance, aby zakończyć ustawianie, które może być zapamiętane przez urządzenie. Czas pracy w przypadku kawy w 1 filiżance można ustawić na 45 s. Gdy czas robienia kawy w 1 filiżance jest ustawiony, czas pracy w przypadku kawy w 2 filiżankach zostanie automatycznie przedłużony dwukrotnie w stosunku do kawy w 1 filiżance. Czas pracy w przypadku kawy w 2 filiżankach można ustawić maks. do 90 s. Gdy czas pracy w przypadku kawy w 2 filiżankach jest ustawiony, czas pracy w przypadku kawy w 1 filiżance zostanie automatycznie ustawiony na połowę tego ustawionego czasu.
OSTRZEŻENIE: Nie zostawiaj ekspresu bez nadzoru podczas robienia kawy, ponieważ czasami trzeba go obsługiwać ręcznie!
8. Po zakończeniu parzenia kawy należy wyjąć metalowy lejek, przekręcając go zgodnie z ruchem wskazówek zegara, a następnie wylać resztki kawy za pomocą stalowej siatki dociskanej przez belkę dociskową.
9. Pozwól im całkowicie ostygnąć, a następnie splucz pod bieżącą wodą.

Przygotowywanie gorącej wody

Gdy produkt jest wstępnie podgrzany, przekręć pokrętko podawania pary, aby wypuścić gorącą wodę i naciśnij przycisk ręcznego parzenia kawy, aby rozpocząć przygotowywanie gorącej wody. Ponownie naciśnij przycisk ręcznego parzenia kawy i zamknij pokrętko podawania pary, aby zakończyć przygotowywanie gorącej wody.

Robienie cappuccino/spienionego mleka

Otrzymujesz filiżankę cappuccino, gdy dopełnisz filiżankę espresso spienionym mlekiem.
Sposób:

1. Najpierw należy przygotować espresso z odpowiednio dużym pojemnikiem zgodnie z częścią "ROBIENIE ESPRESSO", upewnić się, że pokrętko sterowania parą wodną znajduje się w pozycji wyłączonej.
2. Naciśnij przycisk podawania pary, wskaźnik przycisku kawy zgaśnie, odczekaj, aż zaświeci się wskaźnik przycisku podawania pary.
Zauważ: Podczas pracy, wskaźnik przycisku podawania pary będzie się włączał i wyłączał, aby utrzymać żadaną temperaturę.
3. Napełnij dzbanek około 100 ml mleka do każdego przygotowanego cappuccino. Zaleca się stosowanie mleka pełnego w temperaturze schłodzonej z lodówki (niegorącego!).
Zauważ: Przy wyborze wielkości dzbanka zaleca się, aby średnica nie była mniejsza niż 70±5 mm. Pamiętaj, że mleko zwiększa objętość 2 razy, należy upewnić się, że wysokość dzbanka jest wystarczająca.
4. Powoli obracaj pokrętko regulacji pary w kierunku przeciwnym do ruchu wskazówek zegara, para wydostaje się z dyszy spieniającej
Zauważ: Nigdy nie należy gwałtownie obracać przycisku kontroli pary, ponieważ w krótkim czasie nagromadzi się duża ilość pary, co może zwiększyć potencjalne ryzyko wybuchu.
5. Umieść dyszę spieniającą w mleku na wysokości około dwóch centymetrów. Spieniaj mleko, poruszając naczyniem w górę i w dół.
6. Po osiągnięciu wymaganego rezultatu obróć pokrętko regulacyjne pary do pozycji wyłączonej.
Zauważ: Wyjście pary wodnej należy oczyścić mokrą gąbką natychmiast po tym, jak para przestanie być wytwarzana, ale należy uważać, aby się nie oparzyć!
7. Do przygotowanego espresso włącz spienione mleko, teraz cappuccino jest gotowe. Posłódź do smaku i w razie potrzeby posyp pianką z odrobiną kakao w proszku.
8. Naciśnij przycisk zasilania, aby odciąć zasilanie. Wszystkie kontrolki zostaną wygaszone.
9. Gdy funkcja parowej jest uruchamiana przez ponad 180 sekund w pojedynczej operacji ciągłej, wskaźnik pary szybko miga, sygnalizując alarm. W tym przypadku należy nacisnąć przycisk kawy, aby pozwolić urządzeniu ostygnąć. Po ostygnięciu do normalnej temperatury urządzenie może wznowić tryb gotowości.
Zauważ: Jeśli chcesz zrobić kawę natychmiast po wytwarzaniu pary, po naciśnięciu przycisku kawy wskaźnik kawy zacznie migać, sygnalizując alarm. W tym momencie należy ustawić pokrętko sterowania parą w pozycji włączonej, aby zacząć pompować gorącą wodę w celu umożliwienia ostygnięcia urządzenia.

Funkcja automatycznego wyłączania zasilania

Jeśli w ciągu 25 minut nie nastąpi żadna operacja, urządzenie wyłączy się automatycznie.

Czyszczenie i konserwacja:

1. Przed czyszczeniem należy wyłączyć ekspres do kawy i pozostawić go do całkowitego ostygnięcia.
2. Czyść często obudowę ekspresu do kawy z pomocą odpornej na wilgoć gąbki, a także czyść zbiornik na wodę, tacę ociekową i wymiwalną półkę na filiżanki; po czyszczeniu należy je wysuszyć.
Zauważ: Nie czyść alkoholem ani rozpuszczalnikami środkami czyszczącymi. Podczas czyszczenia nigdy nie zanurzaj obudowy w wodzie.
3. Odłącz metalowy lejek, obracając go zgodnie z ruchem wskazówek zegara, pozbądź się resztek kawy ze środka, a następnie wyczyść go środkiem czyszczącym i oplucz czystą wodą.
4. Umyj wszystkie części w wodzie i dokładnie wysusz.
5. Po 500 cyklach pracy ekspresu (włącznie z robieniem kawy, podawaniem pary i innymi funkcjami) wszystkie wskaźniki szybko zamigają 5 razy jednocześnie po zakończeniu podgrzewania, przypominając o odkamienianiu. Jeśli nie usuniesz kamienia, będzie to miało miejsce za każdym razem, gdy korzystasz z ekspresu. W stanie czuwania jednocześnie naciśnij i przytrzymaj przez 3 s przycisk ręcznego robienia kawy i przycisk do robienia kawy w 2 filizankach, a dwa wskaźniki szybko zamigają 3 razy, przypominając o anulowaniu usuwania kamienia, a liczba cykli pracy wróci do zera.

Czyszczenie osadów mineralnych

1. Aby zapewnić sprawne działanie ekspresu do kawy oraz upewnić się, że wewnętrzne rury są czyste, a smak kawy optymalny, należy usuwać osady mineralne co 2-3 miesiące.
2. Napełnij zbiornik wody wodą i odkamieniaczem do poziomu MAX (proporcja wody i odkamieniacza wynosi 4:1, szczegóły znajdziesz w instrukcji odkamieniacza. Możesz użyć "domowego odkamieniacza", np. kwasu cytrynowego (dostępnego w aptece lub drogeriach) zamiast odkamieniacza (sto części wody i trzy części kwasu cytrynowego).
3. Zgodnie z programem podgrzewania umieść na miejscu metalowy lejek (bez kawy w środku) i dzbanek. Zaparż wodę zgodnie z programem "WSTĘPNEGO PODGRZEWANIA".
4. Naciśnij przycisk zasilania - wskaźnik zasilania zaświeci się. Naciśnij przycisk robienia kawy, upewnij się, że pokrętko sterowania parą jest w pozycji wyłączonej. Gdy wypłynie woda, naciśnij przycisk robienia kawy, aby zatrzymać pompowanie i odczekaj chwilę, ekspres do kawy zacznie się nagrzewać
5. Gdy świeci się wskaźnik przycisku kawy, oznacza to, że ogrzewanie wstępne zostało zakończone. Naciśnij przycisk robienia kawy i zrób dwie filiżanki kawy (około 56 gramów). Naciśnij przycisk robienia kawy, aby zatrzymać pompowanie.
6. Naciśnij przycisk podawania pary, wskaźnik przycisku kawy zgaśnie, odczekaj, aż zaświeci się wskaźnik przycisku podawania pary. Wytwarzaj parę przez 2 minuty, obracając pokrętko sterowania parą, a następnie ustaw je w pozycji wyłączonej, aby zatrzymać wytwarzanie pary. Wciśnij przycisk zasilania, aby natychmiast wyłączyć urządzenie, pozostaw odkamieniacz wewnątrz urządzenia przez co najmniej 15 minut.
7. Naciśnij przycisk zasilania, aby ponownie uruchomić urządzenie. Poczekać, aż zaświeci się wskaźnik przycisku robienia kawy, a następnie go naciśnij, aby rozpocząć zaparżanie, aż do momentu, gdy odkamieniacz wypłynie na zewnątrz.
9. Zaparżaj ze zbiornikiem wypełnionym wodą z kranu na poziomie MAX, powtórz kroki 4-6 3 razy, a następnie kontynuuj zaparżanie do momentu, aż w zbiorniku nie będzie wody.

Rozwiązywanie problemów

Objaw	Przyczyna	Rozwiązania
Metalowe części w zbiorniku mają rdzę.	Niezalecany rodzaj odkamieniacza. Może powodować korozję metalowych części zbiornika.	Należy używać odkamieniacza zalecanego przez producenta.
Woda wycieka z dna ekspresu do kawy.	W tacce ociekowej jest dużo wody.	Wyczyść tacę ociekową.
	Ekspres do kawy jest uszkodzony.	Prosimy o kontakt z autoryzowanym serwisem w celu dokonania naprawy.
Woda wydostaje się z zewnętrznej strony filtra.	Na krawędzi filtra znajduje się trochę mielonej kawy.	Pozbądź się ich.
	Niedokładne czyszczenie osadów mineralnych.	Wyczyść ekspres do kawy kilka razy zgodnie z instrukcją zawartą w "Przed pierwszym użyciem".

Kawa espresso ma kwaśny (octowy) smak.	Mielona kawa była przechowywana w gorącym, wilgotnym miejscu przez długi czas. Mielona kawa jest zepsuta.	Prosimy używać świeżej zmielonej kawy lub przechowywać niewykorzystaną kawę w chłodnym, suchym miejscu. Po otwarciu opakowania zmielonej kawy należy je szczelnie zamknąć i przechowywać w lodówce, aby zachować jej świeżość.
Ekspres do kawy nie działa.	Gniazdo zasilania nie jest dobrze podłączone.	Prawidłowo podłącz kabel zasilający do gniazdka ściennego; jeśli urządzenie nadal nie działa, należy skontaktować się z autoryzowanym serwisem w celu dokonania naprawy.
Para nie pieni.	Wskaźnik pary nie jest podświetlony.	Dopiero po zaświeceniu się wskaźnika pary można użyć parę do spieniania.
	Pojemnik jest za duży lub jego kształt nie pasuje.	Stosuj wysokie i wąskie naczynia.
	Użyłeś mleka odtłuszczonego.	Stosuj mleko pełne lub półtłuste.

Sprzęt ten jest oznakowany zgodnie z europejską dyrektywą 2012/19/WE w sprawie zużytego sprzętu elektrycznego i elektronicznego - WEEE. Dyrektywa ta określa wymogi dotyczące zbierania i gospodarowania użytym sprzętem elektrycznym i elektronicznym obowiązujące w całej Unii Europejskiej.

ŚRODOWISKO

Po zakończeniu okresu użytkowania urządzenia nie wyrzucaj go wraz ze zwykłymi odpadami domowymi. Zabierz je do autoryzowanego centrum recyklingu. Pomoże to w ochronie środowiska.

GWARANCJA I NAPRAWA

Aby uzyskać więcej informacji lub w przypadku problemów, należy skontaktować się z Telecentrum Gorenje w swoim kraju (numer telefonu podany w Międzynarodowej Karcie Gwarancyjnej). Jeśli w Twoim kraju nie ma takiego centrum, skontaktuj się z lokalnym dealerem firmy Gorenje lub działem małych urządzeń gospodarstwa domowego Gorenje.

Tylko do użytku osobistego!

HISENSE ŻYCI PAŃSTWU DUŻO PRZYJEMNOŚCI Z KORZYSTANIA Z URZĄDZENIA.