



INSTALLATION GUIDE

Hisense Laser TV Screen

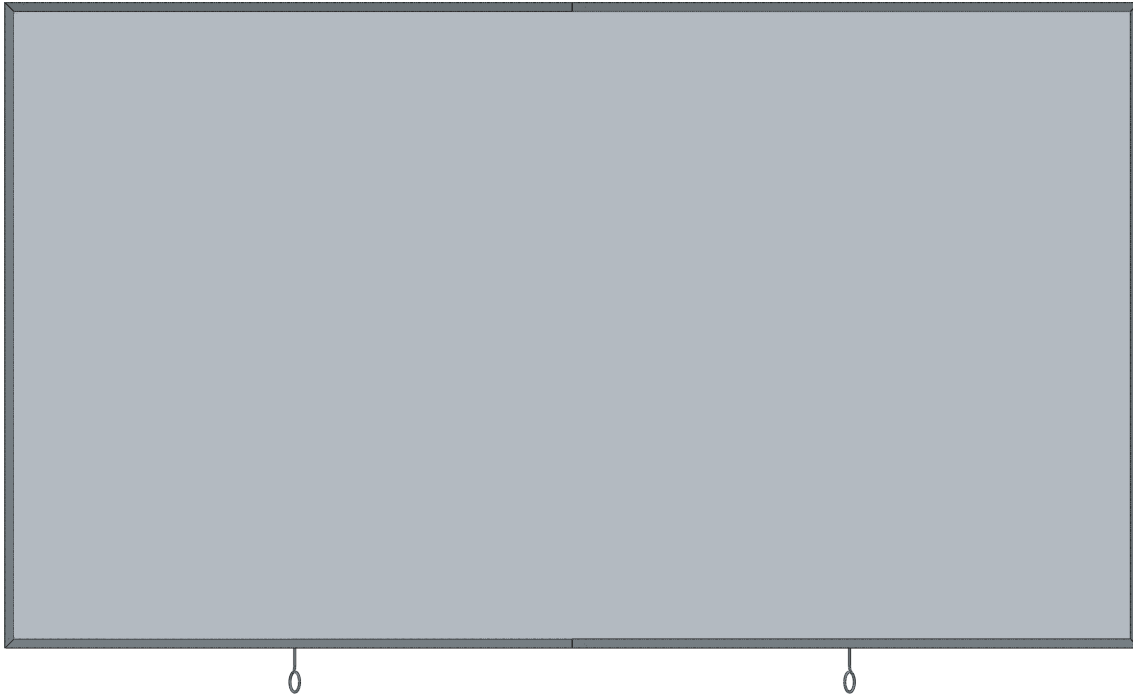
Read this guide carefully before installing the product and make sure you understand all the content.



Scan the QR code to watch the installation video

ENGLISH

Appearance of Laser TV Screen



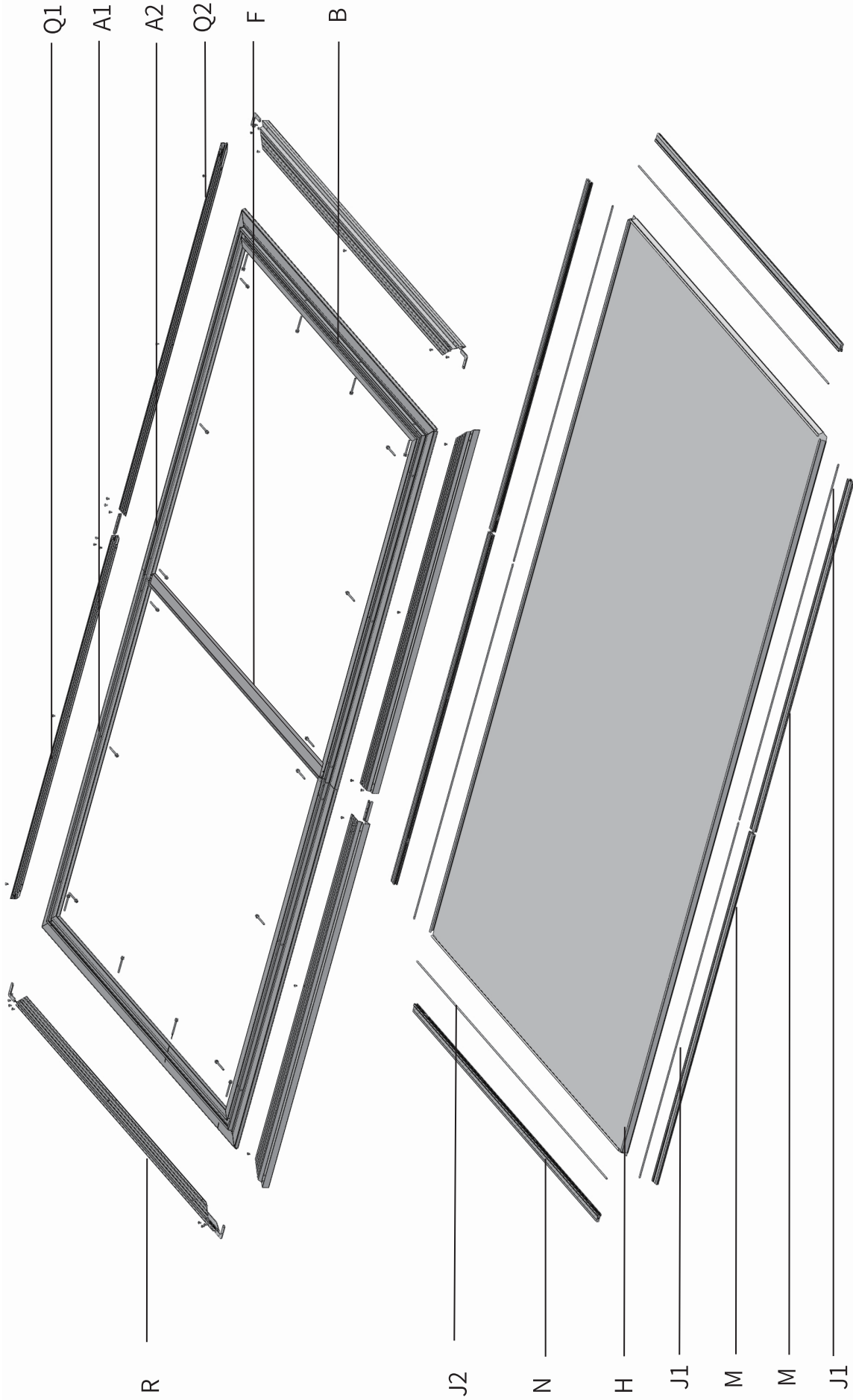
Specifications

Name	Fresnel Laser TV Screen				
Screen size	100"	Curtain material	PET	Aspect ratio	16:9
Projection area	2214 × 1245 mm	Net weight	11.7 kg	Curtain color	Grey
Dimension	2250 × 1280 × 30 mm	Gross weight	24.5 kg	Frame color	Black
Carton size	1665 × 430 × 255 mm	Horizontal angle of view	45 ± 5°	Gain	1.3

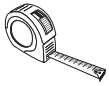
Name	Fresnel Laser TV Screen				
Screen size	90"	Curtain material	PET	Aspect ratio	16:9
Projection area	1993 × 1121 mm	Net weight	13 kg	Curtain color	Grey
Dimension	2029 × 1157 × 30 mm	Gross weight	23 kg	Frame color	Black
Carton size	1550 × 430 × 235 mm	Horizontal angle of view	45 ± 5°	Gain	1.3

* Considering that difference may arise from installation and measurement, the actual size of your screen may slightly vary from the specifications, which does not affect your use of the screen.

Parts Breakdown



Tools Needed for Installation



Tape measure × 1

Electric drill × 1

Carpenter's pencil × 1

Screwdriver × 1

Hammer × 1

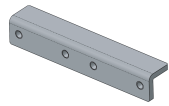
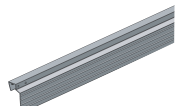
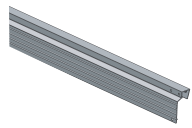
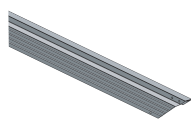
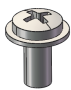
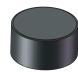
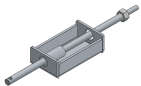






Stud finder × 1

Level ruler × 1

Standard Parts

All Pictures shown are for illustration purpose only. Actual product may vary due to product upgrade. Check whether you have received all the parts below upon unpacking.

Code	Part	Picture	Quantity	Code	Part	Picture	Quantity
A1	Long inner beam (A1)		2	A2	Long inner beam (A2)		2
B	Short inner beam		2	C	Connecting piece, for long inner beam		2
D	Corner fitting, for inner frame		4	E	M6×6 screw, for corner fitting of inner frame		24
F	Vertical beam		1	H	Fresnel screen		1
I	Installation mat		1	J1	Fiber glass pole, short		4
J2	Fiber glass pole, long		2 (one is pre-installed)	K	Rivet nut		20
L	Rivet bolt, M4×45		20	M	Pull rod, for long side		4
N	Pull rod, for short side		2	O	Corner fitting, for outer frame		4

Code	Part	Picture	Quantity	Code	Part	Picture	Quantity
P	Connecting piece, for outer frame		2	Q1	Long outer beam (Q1)		2
Q2	Long outer beam (Q2)		2	R	Short outer beam		2
S	M3×6 screw, for fixing outer frame		46	U	Spacer		2
V	Wall-mounting bracket		2	W	Regulating rod		2
X	Connecting rod, for wall-mounting bracket		2	Y	Gloves		2
Z1	Plastic expansion tube and screw		5	Z2	Hexagon wrench, 4mm		2
Z3	Hexagon wrench, 3mm		2				

Please read this Guide carefully before using the product, and keep it for future reference.

Maintenance

Use a lint-free soft cotton cloth damped with ethanol to wipe the screen and the frame gently. You can also use a lint-free soft cotton cloth to wipe off dust and stains.

WARNING

- DO NOT touch the screen with your hands or wipe it with an ordinary towel.
- DO NOT spill contaminants such as dirty water or oil stains onto the screen.
- DO NOT place the product on an unstable cart, stand or table. If the product falls to the ground, it may be seriously damaged or cause personal injury.
- DO NOT touch, scratch, or knock the screen with sharp objects.
- DO NOT expose the product to direct sunlight.
- DO NOT place the product near dangerous substances like flammable or explosive materials.

Installation Steps

I. Assembling Inner Frame

Take the white installation mat (I) out of the carton, unfold it flat on a clean floor, and then perform the following steps.

Step 1: Take the frame beams and other parts out of the carton and place them in the positions as shown below.

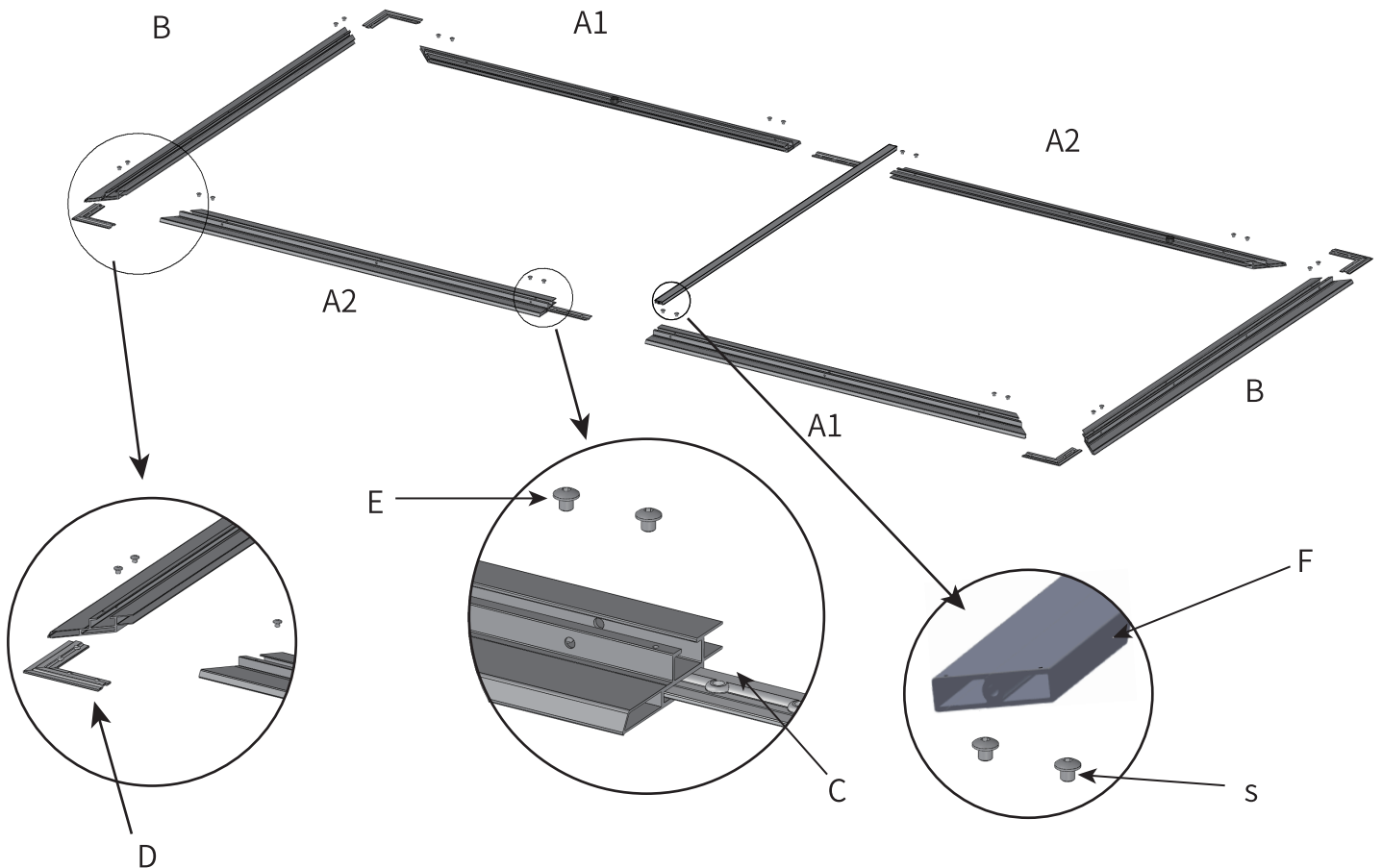
Step 2: Use the **Connecting Piece (C)** to connect the **Long Inner Beams (A1 and A2)**.

Step 3: Fix the **Corner Fitting (D)** for the inner frame onto the **Short Inner Beams (B)**.

Step 4: Connect the assembled **Long Inner Beams** to the **Short Inner Beams** to form the inner frame, and tighten all screws (E).

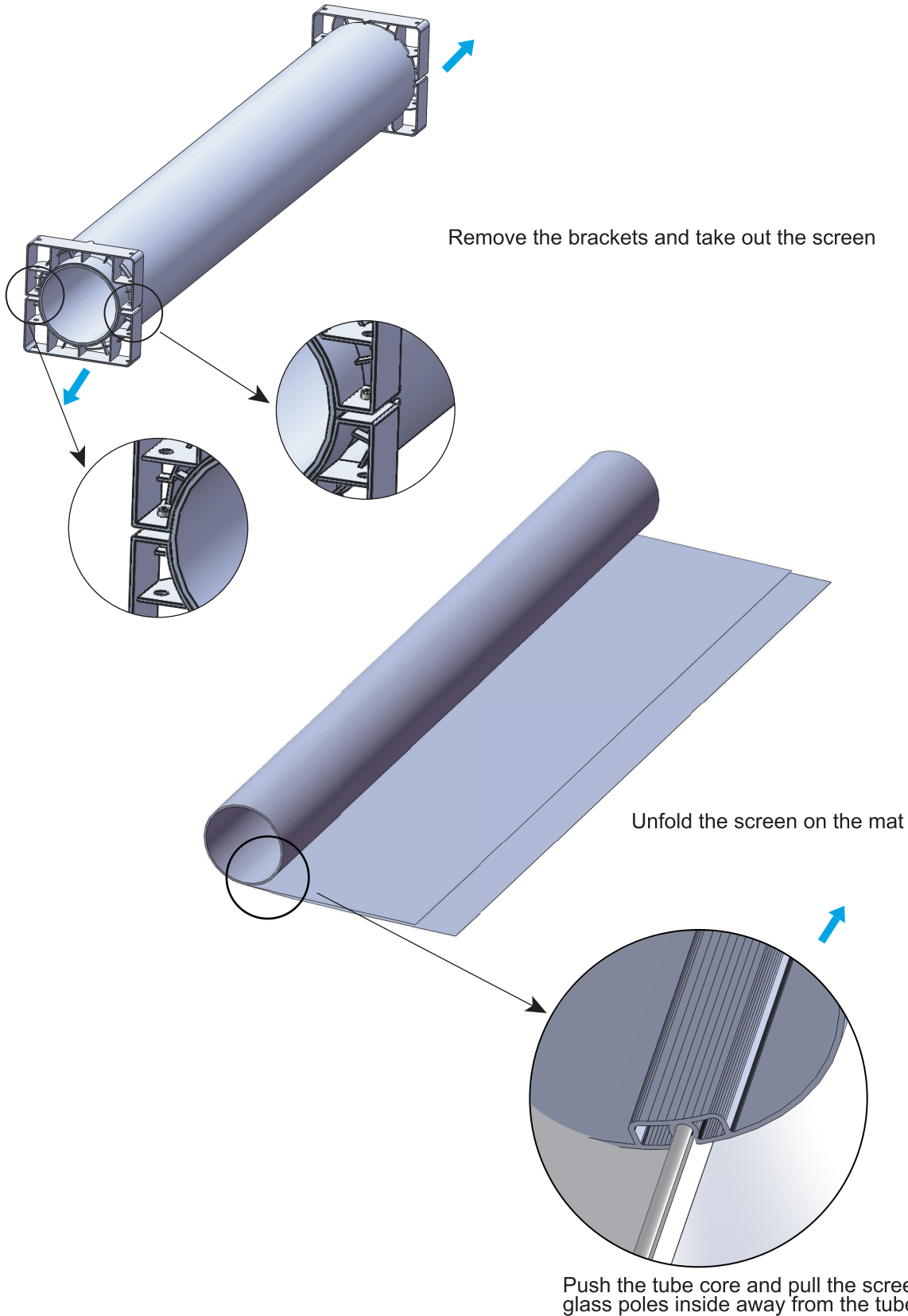
Step 5: Install the **Vertical Beam (F)** and fasten it with screws.

Put the assembled inner frame aside and proceed to the next step.

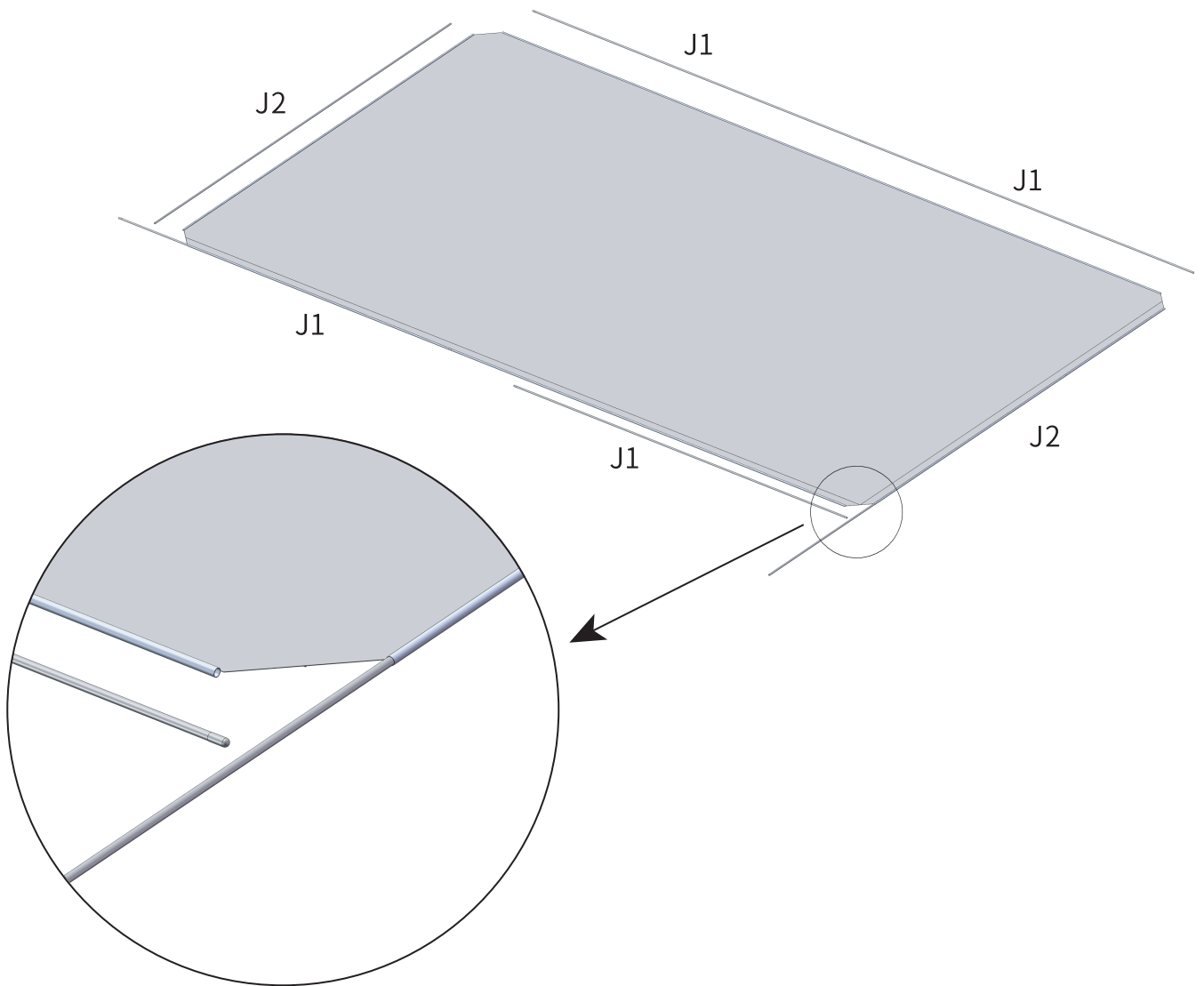


II. Installing Fresnel Screen

Step 1: Use the 4mm hexagon wrench (Z2) to loosen the screws on the two brackets at both ends of the paper tube, and then remove the brackets. Take the screen out of the paper tube slowly, putting on the gloves to protect the screen from sweat stains. Unfold the screen flat carefully on the mat with the rear side (where the label is located) facing upward. Finally, push the tube core and pull the screen with fiber glass poles inside away from the tube core, as shown in the figure below.

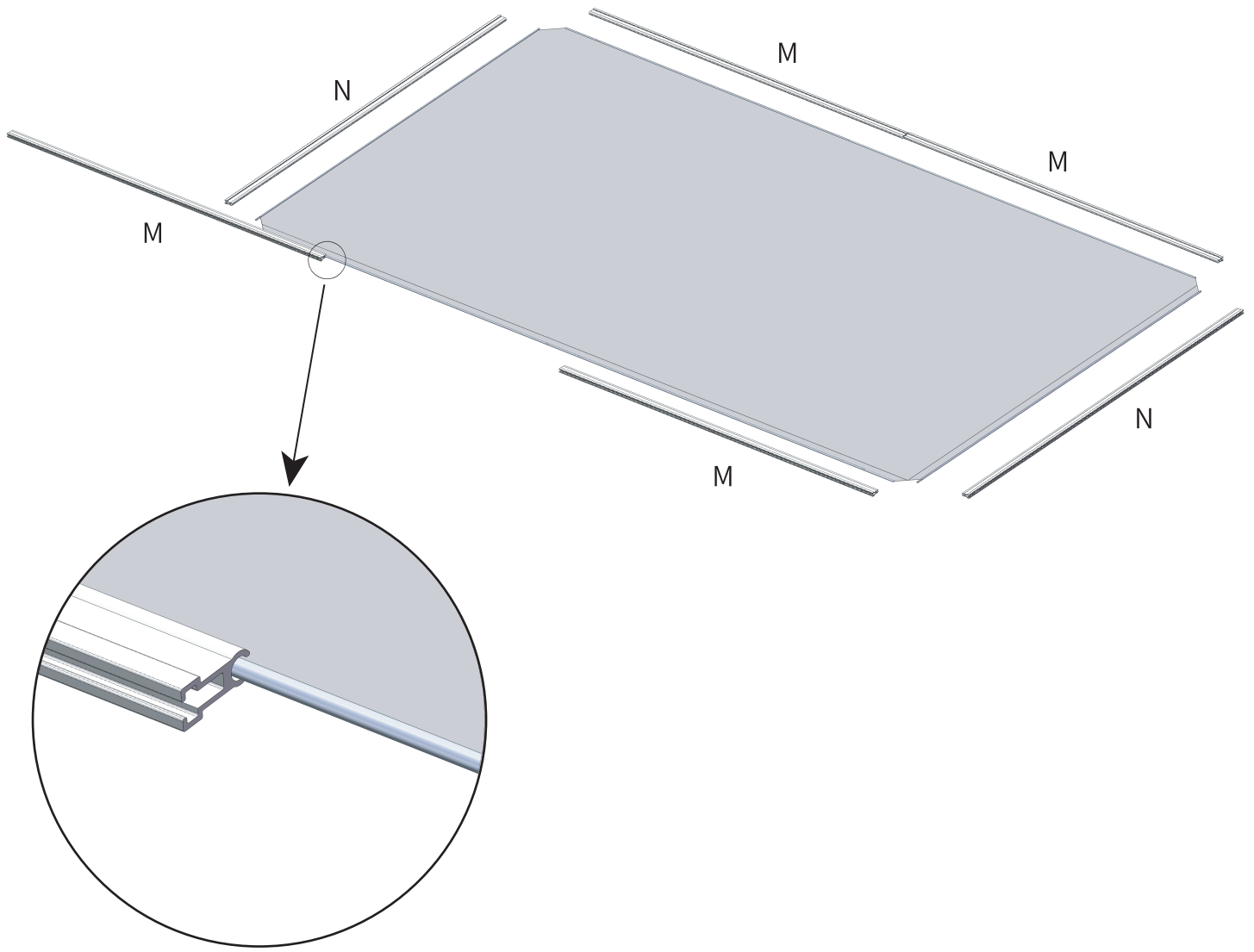


Step 2: Four poles (J1) of the six **Fiber Glass Poles** are of the same length. Insert them into the black sleeves on the longer sides of the screen, and insert the remaining two longer poles (J2) into the black sleeves on the shorter sides of the screen.

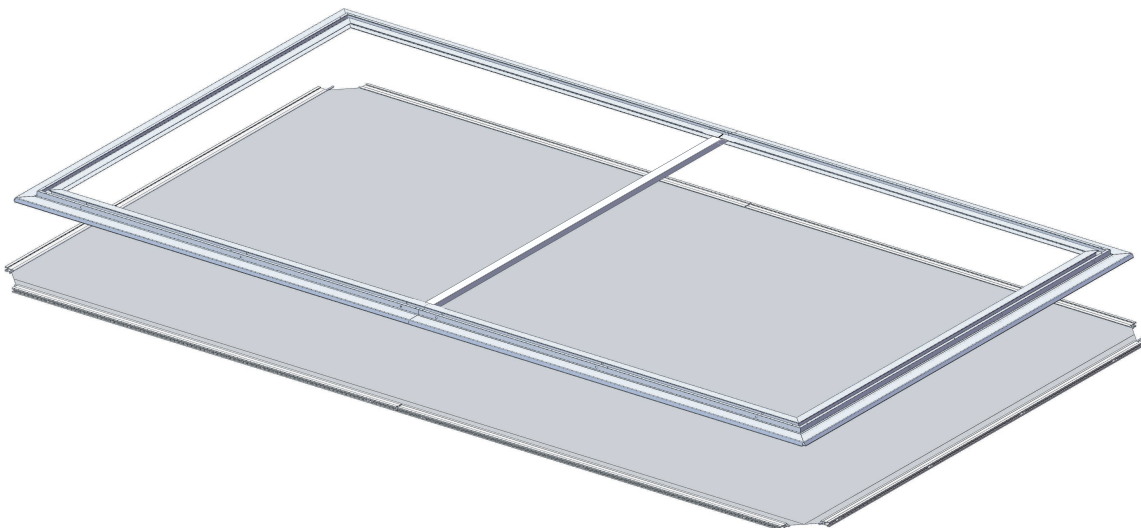


Step 3: Fit the **Pull Rods** (N and M) onto the screen edges, as shown in the figure below.

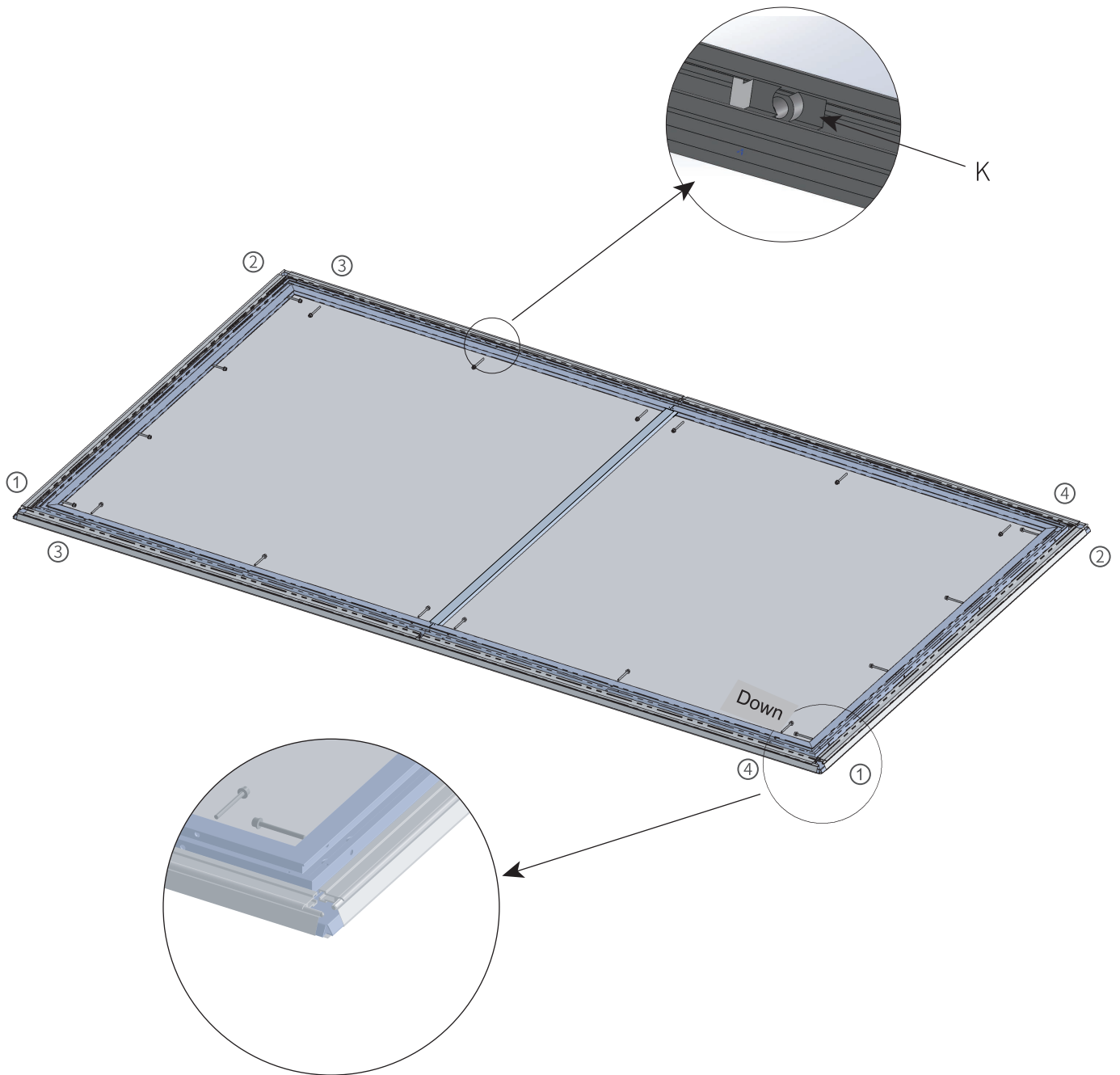
Note: Before installing the **Pull Rods** (N), take out **Connecting Rods** (X) for the wall-mounting brackets first.



Step 4. Center the frame on top of the screen.



Step 5: Adjust the position of the **Rivet Nuts (K)** on the pull rods, until the rivet nuts are aligned with the holes in the inner frame. Insert the M4×45 **Rivet Bolts (L)** through the holes on the inner frame and further screw them into the Rivet Nuts (K) (the rivet bolts should be installed in the sequence of 1-1→2-2→3-3→4-4, as shown in the figure below). Pre-tighten the screws, make sure all sides of the screen are in good flatness, and then alternately tighten screws on all sides until the rivet nuts are fastened to the positioning lines. Place the screen upright and observe whether the screen surface is flat; if not, adjust the rivet nuts until the screen surface is flat.

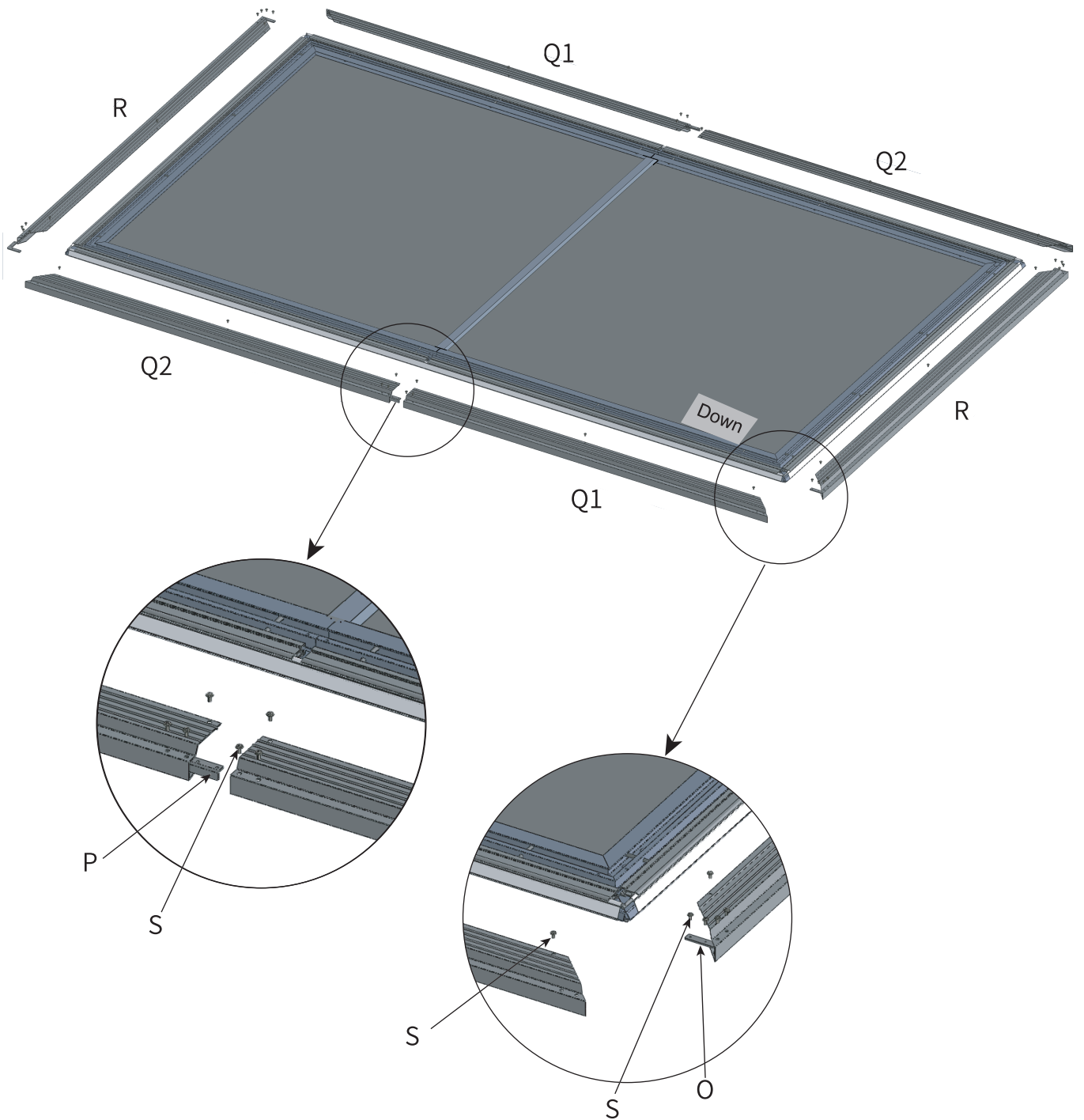


III. Installing Outer Frame

Step 1: Use the **Connecting Piece (P)** to connect the **Long Outer Beams (Q1 and Q2)**, and use the M3×6 screws (**S**) to fasten them.

Step 2: Use the M3×6 screws to fasten the **Corner Fitting (O)** onto the **Short Outer Beams (R)**.

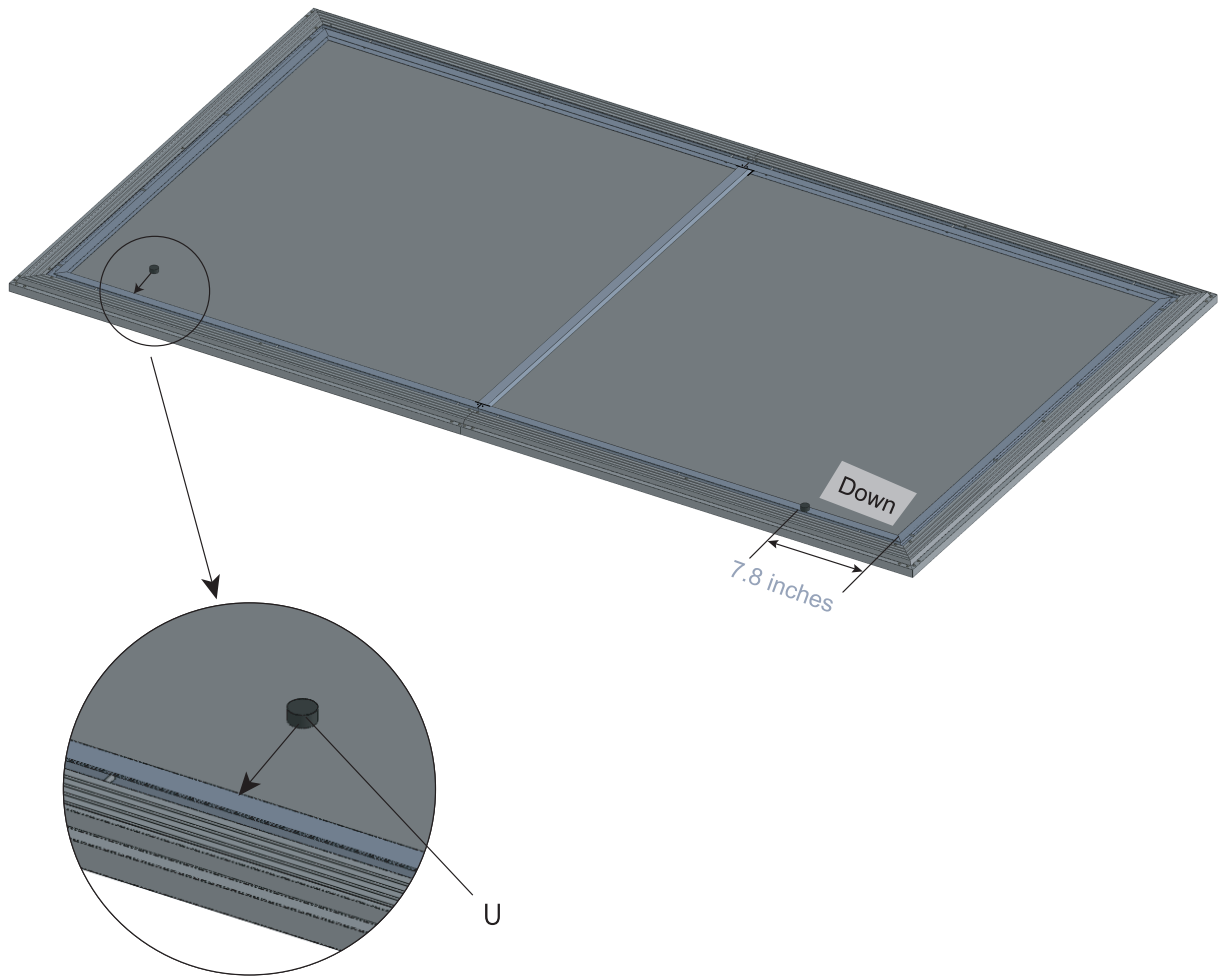
Step 3: Lifting up the inner frame slightly, fasten the four sides of the outer frame onto the inner frame, and then tighten all screws.



IV. Attaching Spacers

Remove the release film on one side of the spacers and attach them onto the inner frame, as shown in the figure below. When the screen is hung on the wall, remove the release film on the other side of the spacers so as to fix the bottom of the screen onto the wall.

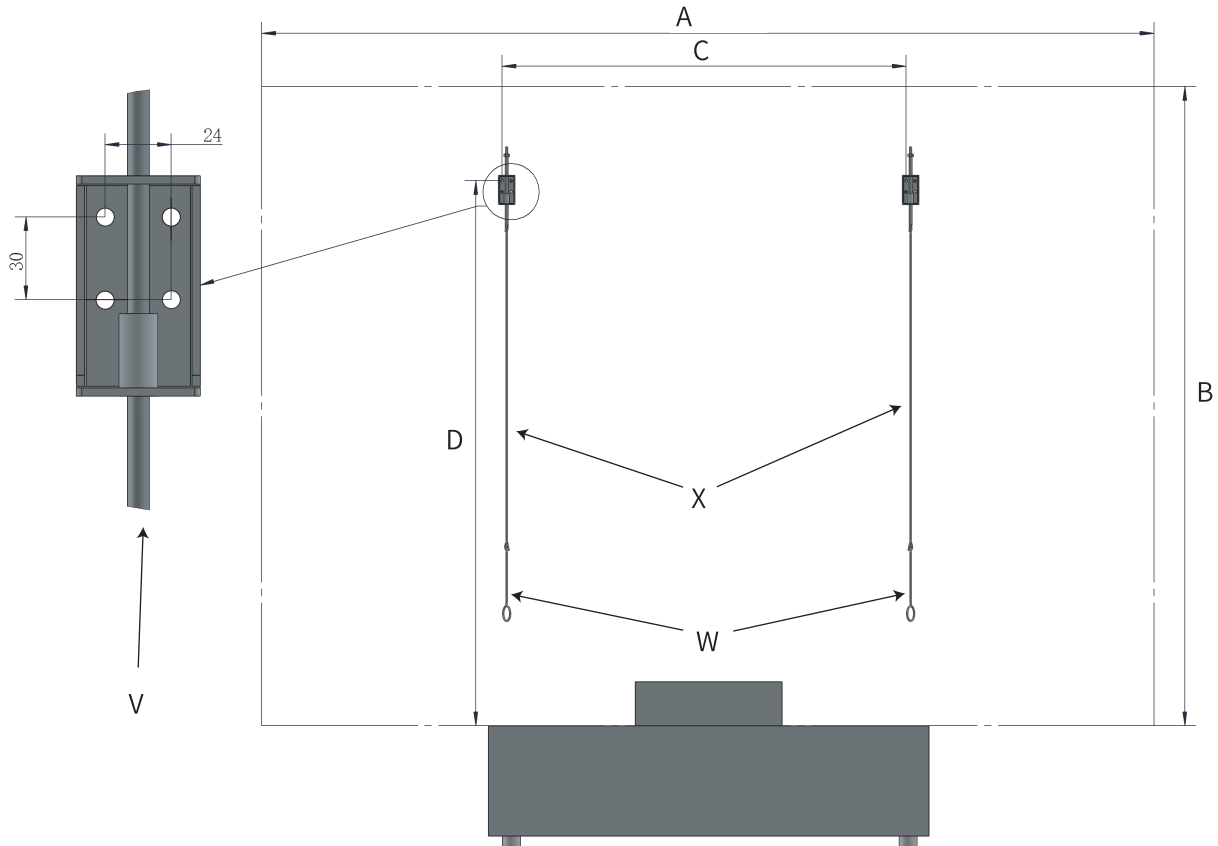
Now you can lift the screen up and remove the protective tapes.



V. Installing the Wall-mounting Bracket

1. Use a $\phi 8$ electric drill to drill holes on the wall according to the sizes listed below. Insert the **Plastic Expansion Tubes (Z1)** into the holes, and fix the wall-mounting brackets onto the wall. Install the **Connecting Rods (X)** onto the wall-mounting brackets, and then fit the **Regulating Rods (W)** onto the **Connecting Rods (X)**.

Note: you need to apply two screws to each wall-mounting bracket (V).



	A	B	C	D
100" 100L5 100L9	W > 2.3 m (installation space)	H > 1.7 m (installation space)	1100 mm	1484 mm
90" 90L5	W > 2.2 m	H > 1.6m	1100mm	1322mm

90L9

W > 2.2m

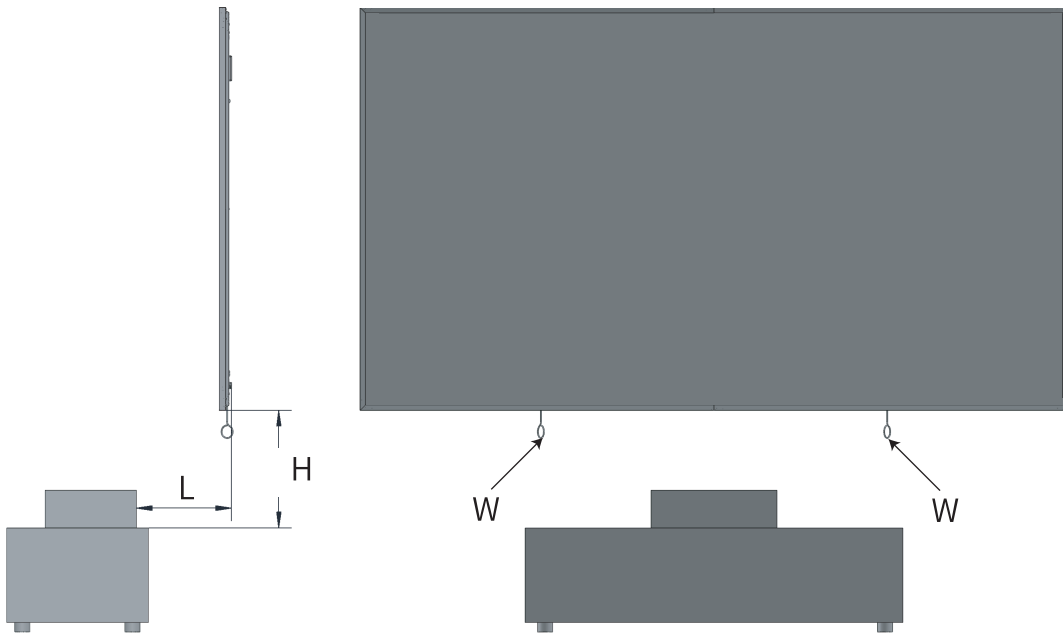
H > 1.6m

1100mm

1328mm

2. Hang the screen onto the wall-mounting brackets and observe whether the screen is level. If not, rotate the **Regulating Rods (W)** to adjust it.

Note: Watch the rear side when hanging the screen. The edge with the “DOWN” label is the bottom side.



	L	H
100" <small>100L5 100L9</small>	303 mm	373 mm
90" <small>90L5</small>	196mm	327mm`

90L9

248mm

333mm