



Z1

Welcome Guide



support.arctic.ac/z1

Dear Customer,

Thank you for choosing the ARCTIC Z1 monitor arm.

Smart people use two monitors and boost this way their productivity and ergonomics. This sturdy holder will keep your monitors save and the desk clean, free space for you and allow you to use USB devices easier than ever.

I hope you enjoy our Z1 and we at ARCTIC look forward to further enriching your life with our products. If you would like to share how you use ARCTIC's products please do so at <https://www.facebook.com/ARCTIC.en>

ARCTIC is a fully carbon neutral company and your support helps us to compensate every kilogram of CO₂ we produce. Thank You.

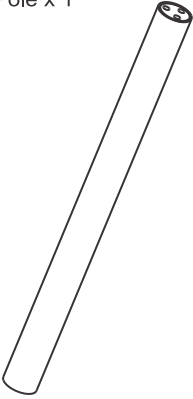
Sincerely,

A handwritten signature in black ink, appearing to read "Magnus Huber".

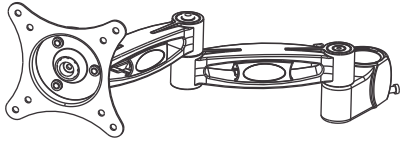
Magnus Huber
ARCTIC CEO

Accessories

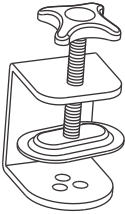
(A) Pole x 1



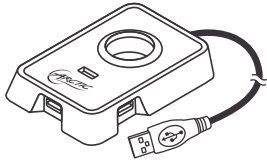
(B) Mounting Arm with Lockable Screw x 1



(C) Clamp x 1



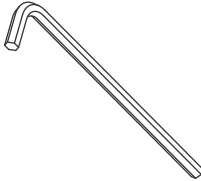
(D) USB Hub x 1



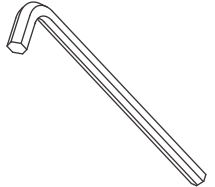
(E) Pole Clamp x 1



(F) Hex Key (4 mm) x 1



(G) Hex Key (5 mm) x 1



(H) Rubber Pad x 1



(I) M4 / M5 Spacer x 4



(J) Cable Clip x 1



(K) M6 Screw (12 mm) x 3



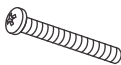
(L) M5 Screw (12 mm) x 4



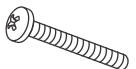
(M) M4 Screw (12 mm) x 4



(N) M4 Screw (30 mm) x 4



(O) M5 Screw (30 mm) x 4



 This Monitor Arm is not suitable for Honeycomb-structured or Sandwich structured tables with hollow pockets.

Examples of NOT recommended tables, using a paper honey comb filling: IKEA MALM Desk, IKEA TORNLIDEN, IKEA ODDVALD, IKEA LINNMON, IKEA LALLE, IKEA TORNLIDEN, and IKEA ADILS Desk

Wooden



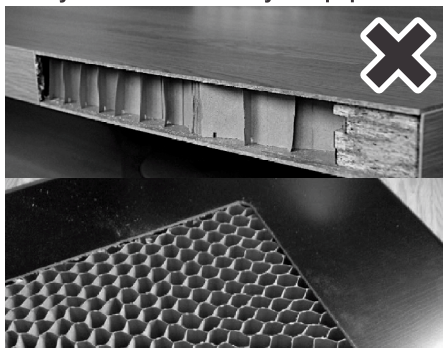
Fiberboard



Particleboard

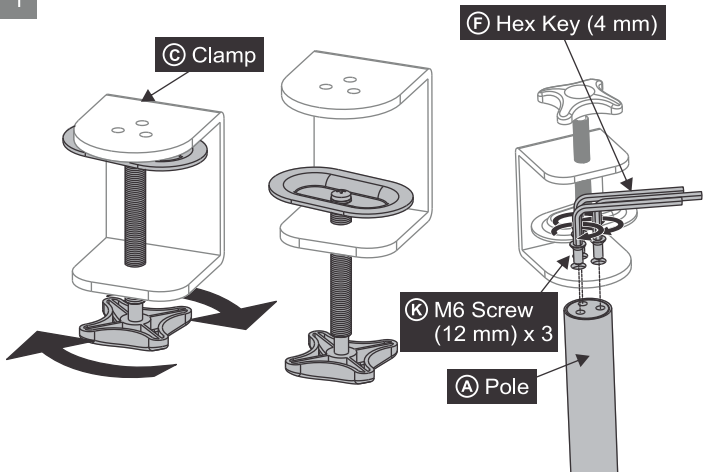


Honeycomb structure recycled paper

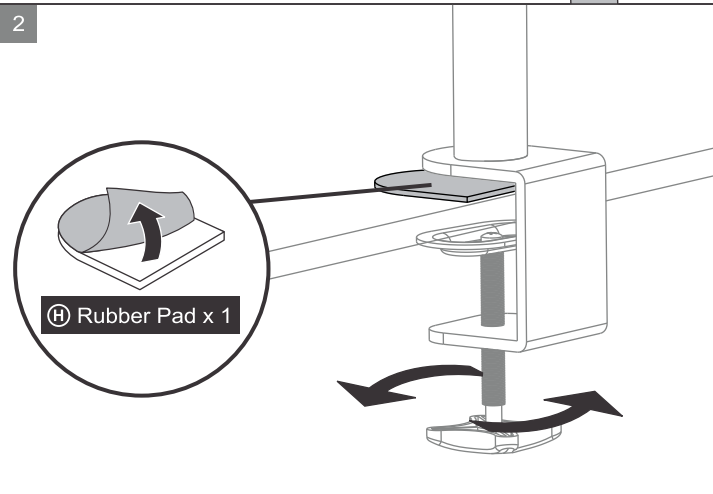


Preparation

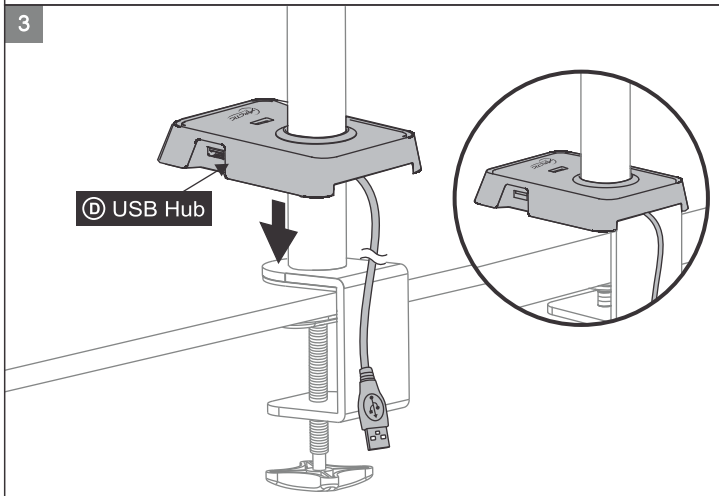
1



2

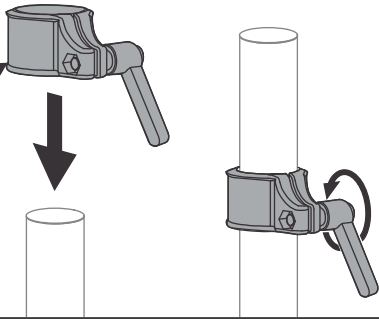


3



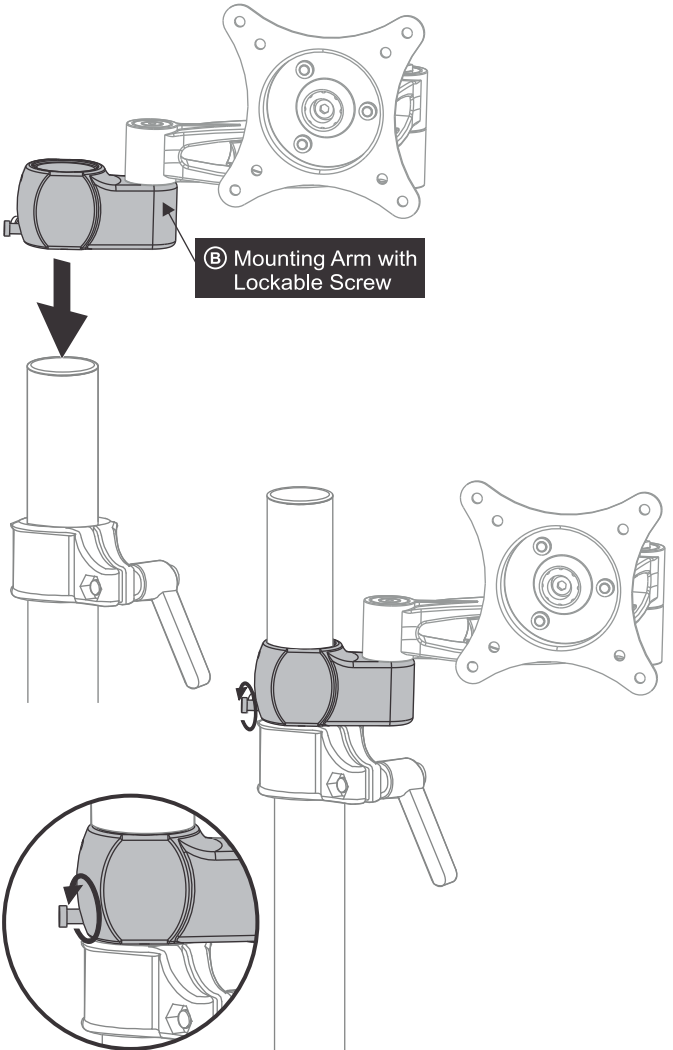
4

Ⓔ Pole Clamp



5 Tighten the lockable screw to fix the arm's position.

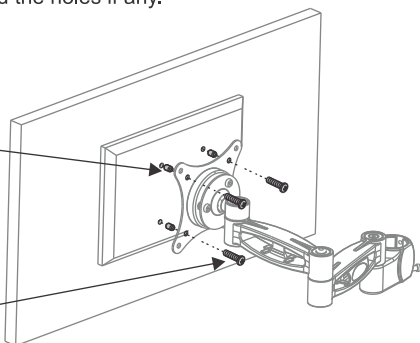
Ⓑ Mounting Arm with Lockable Screw



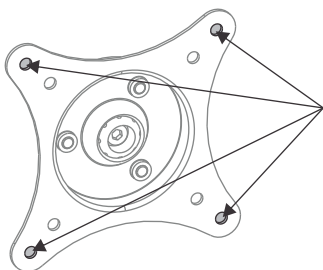
- 6 Choose the right screws according to the size and depth of the holes at the back of the monitors. Spacers are used to fill the gap between the mounting bracket and the holes if any.

① M4 / M5 Spacer x 4
If necessary

- Ⓛ M5 Screw (12 mm) x 4
Ⓜ M4 Screw (12 mm) x 4
Ⓝ M4 Screw (30 mm) x 4
Ⓞ M5 Screw (30 mm) x 4



VESA 100
Distance 100 mm



VESA 75
Distance 75 mm

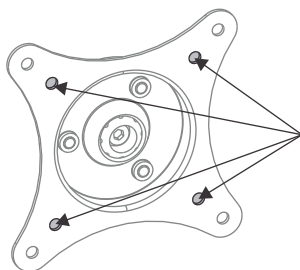
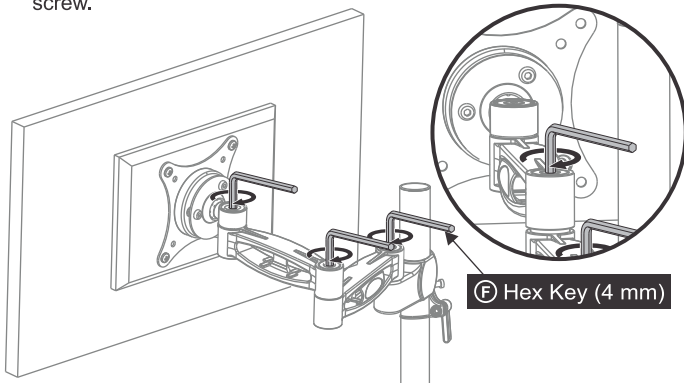


Table of VESA Mounting Interface Standard

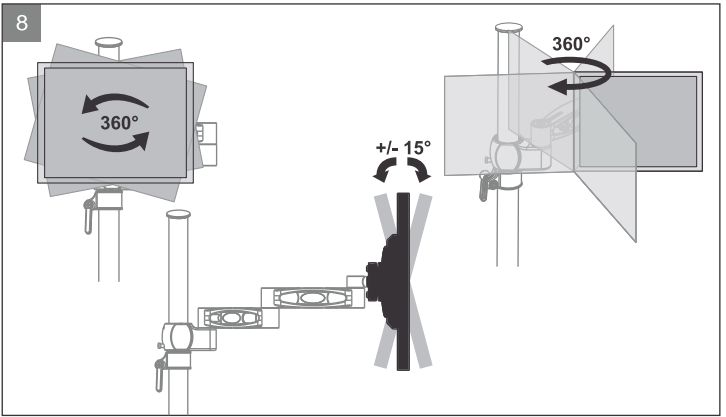
Designation	Width × Height	Screw	Compatible
MIS-D 75	75 mm × 75 mm	M4, M5	Yes
MIS-D 100	100 mm × 100 mm	M4, M5	Yes
MIS-E	200 mm × 100 mm	M4	No
MIS-F	200 mm × 200 mm 400 mm × 400 mm 600 mm × 200 mm 600 mm × 400 mm 800 mm × 400 mm 280 mm × 150 mm	M6, M8	No

- 7 Adjust the flexibility of the hinges with the hex key and the lockable screw.

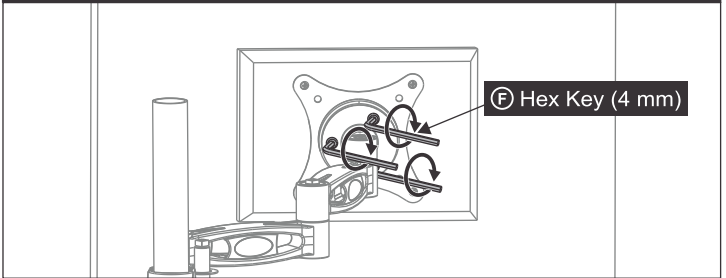


Ⓣ Hex Key (4 mm)

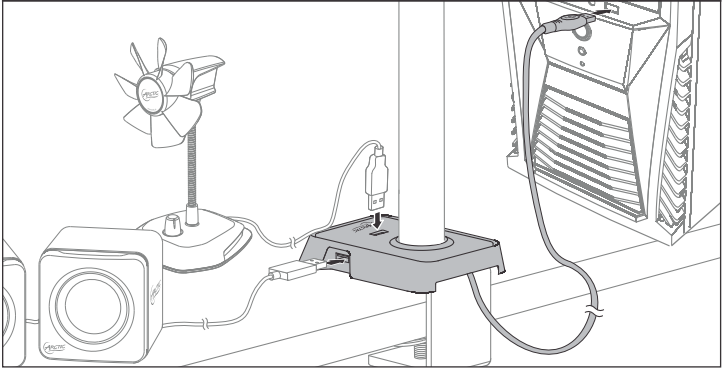
8



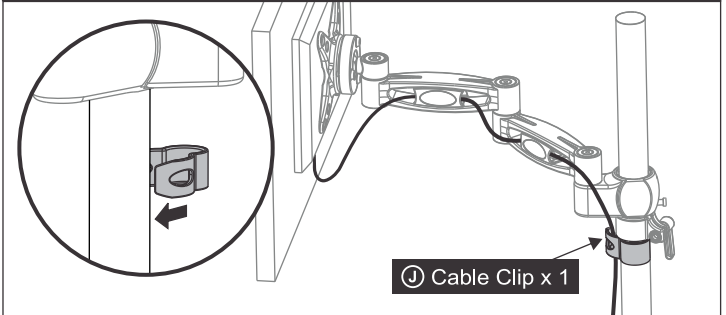
Adjust the Tightness of the Monitors



How to Plug Hub



Cable Management



Specifications	
ARM	
Material	Aluminum Alloy ADC 12
Number of Mountable Monitors	1
Screen Size	13 " - 32 "
Maximum Monitor Weight	10 kg / 22 lbs per mount
VESA Standard	75 / 100
Rotation	360 °
Swivel	180 °
Tilt	+/- 15 °
Distance to the Pole	11 - 41 cm
Max Table Thickness	6 cm
Weight	2 kg
USB Hub	
Type	4 ports USB 2.0
Compatibility	Windows 10 , 8.1 , 7 , Vista , XP Mac OS X Linux
Cable Length	2 m

Support

For support and more information on the Z1 - Desk Mount Monitor Arm with 4-Port USB Hub, please visit support.arctic.ac/z1

Warranty

This ARCTIC Product includes a two-year limited warranty. Please visit <http://warranty.arctic.ac> for further details.

Safety Instructions

The desk structure must be able to support at least 20 kg. Tighten the screws for a secure mount. It is recommended to perform the installation with at least two people.



EC Declaration of Conformity

ARCTIC declares under its sole responsibility that this product is compliant with the provisions of the electromagnetic compatibility directive (2004/108/EC) and the Restriction of the use of certain hazardous substances directive (2011/65/EU). A detailed Declaration of Conformity is available at <http://z1.arctic.ac#support>



Directive 2002/96/EC about Waste of Electrical and Electronic Equipment (WEEE)

Waste of Electrical and Electronic Equipment must not be disposed of with domestic waste. If the device cannot be used anymore, the user is legally obliged to separate it from domestic waste and hand it over to a designated collection point of his community/district. Thereby it is guaranteed that the Waste of Electrical and Electronic Equipment is recycled properly and negative impacts for the environment are avoided. Therefore, electronic devices are marked by this sign.

ARCTIC and the ARCTIC logo are registered trademarks of Boost Up International Limited.

© 2016 ARCTIC (HK) Ltd. All rights reserved.

No part of this manual including the products described in it, may be reproduced, transmitted, stored in a retrieval system, or translated into any language in any form or by any means, except documentation kept by the purchaser for backup purpose, without the express written permission of ARCTIC (HK) Ltd. In no event shall ARCTIC, its directors or employees be liable for any indirect damages, incidental or consequential damages arising from any defect or error in this manual or product.