

# VE300

## AV Over Cat 5 Extender

- The VE300 A/V Over Cat 5 Extender is exclusively designed to integrate seamlessly with the ATEN VM0808T/VM1616T Matrix Switch. The VE300 allows you to extend the distance between a source device and video display up to 150 m with a resolution of 1600x1200 (VE300R), or up to 300 m with a resolution of 1280x1024 (VE300RQ).

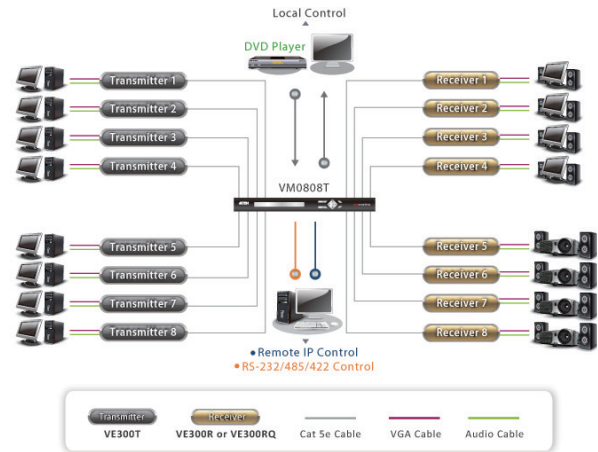
It is able to accomplish this by means of a local transmitting unit (the VE300T), connected to the remote receiving unit (either the VE300R or VE300RQ), using Cat 5e twisted pair cable. Because it allows access to the audio/video source over large distances, the VE300 is ideal for installations such as construction sites, factory floors, control and security centers, where the system equipment can reside in a safe and secure location, while the display is conveniently located in public view.

To provide optimum video quality over large distances, the VE300RQ supports RGB delay tuner functionality – allowing you to manually synchronize the RGB signals. It also provides a line synchronization function that corrects color phase and timing errors that occur over long distance transmissions, and stores the settings.



### Features

- Uses Cat 5e cable to connect the Transmitter and Receiver
- Extends A/V source in VM0808T installations
- Supports one local and one remote displays
- **Superior RGB skew function (VE300RQ)– automatically synchronizes the time delay of RGB signals to compensate for distance**
- Long Distance Transmission up to 300m
- Superior video quality  
VE300R: 1920x1200@60Hz (30 m), 1600x1200@60Hz(150 m), 1280x1024@60Hz (200 m)  
VE300RQ: 1920x1200@60Hz (150 m), 1280x1024@60Hz(300 m)
- **Automatic and adjustable gain control – adjust signal strength to compensate for distance**
- Supports wide screen
- Rack-mountable
- Built-in 8KV/15KV ESD protection



### Specification

Function	VE300T	VE300R	VE300RQ	
Connectors	Video In	1 x HDB-15 Male (Blue)	N/A	
	Video Out	1 x HDB-15 Female (Blue)		
	Audio In	1 x Mini Stereo Jack Female (Green)	N/A	
	Audio Out	1 x Mini Stereo Jack Female (Green)		
Power	Unit to Unit	1 x RJ-45 Female		
	Power	1 x DC Jack (Black)		
Switches	Compensation / Up	N/A	1 x Pushbutton	
	Compensation / Down	N/A	1 x Pushbutton	
	Color / Up	N/A	N/A	1 x Pushbutton
	Select / Down	N/A	N/A	1 x Pushbutton
LEDs	Power	1 (Green)	1 (Green)	N/A
	Link	N/A	1 (Orange)	N/A
	Picture Compensation	N/A	1 (Blue)	N/A
	B	N/A	N/A	1 (Blue)
Video	G / Link	N/A	N/A	1 (Green/Orange)
	R / Power	N/A	N/A	1 (Red/Green)
Power Consumption	DC 5.3V, 2.61W	DC 5.3V, 4.00W	DC 5.3V, 4.32W	
Environment	Operating Temp.	0-50°C		
	Storage Temp.	-20-60°C		
	Humidity	0-80% RH, Non-condensing		
Physical Properties	Housing	Metal		
	Weight	0.47 kg	0.47 kg	0.47 kg
	Dimensions (L x W x H)	20.20 x 8.20 x 2.50 cm	20.20 x 8.20 x 2.50 cm	20.20 x 8.20 x 2.50 cm

\* Product specifications and appearance are subject to change without notice.

