



# Desktop HDD

Product Manual

## **Standard models**

ST3000DM001  
ST2000DM001  
ST1000DM003  
ST500DM002  
ST320DM000  
ST250DM000

## **Self-Encryption models**

ST3000DM002  
ST2000DM002  
ST1000DM004

100686584, Rev. V  
Gen 14 - September 2016

## Document Revision History

Revision	Date	Description of Change
Rev. A	08/19/2011	Initial release.
Rev. B	09/01/2011	Updated decibel specifications, start/stop times; Table 3; mounting drawing.
Rev. C	10/20/2011	Updated voltage tolerance specifications.
Rev. D	01/17/2012	Corrected Table 1 (Altitude, operating) specification and Table 5 (Idle2).
Rev. E	06/11/2012	Updated Index.
Rev. F	09/05/2012	Added 2.5A spin-up code option (Table 1 and Table 2); page 17.
Rev. G	10/01/2012	Updated Table 1 and Table 2 with rated workload information. Updated DC power requirements (Tables 1, 3 and 4).
Rev. H	03/21/2014	Revised Rated Workload statement (pages 5 & 7); LP height updated & new mechanical drawings (pages 4, 9 & 20-21); Revised max storage note (page 13)
Rev. J	05/08/2014	Updated product name (pages fc, 2, 19 & 22) and Add metric "mm" values to mechanical drawings. (pages 20-21).
Rev. K	08/28/2014	Add SED models and SED Section 4.0 (pages: fc, 2, 4, 7, 22-23 & 29)
Rev. L	01/26/2015	Applied new logo (pages: fc & bc), applied latest page numbering convention (pages: all), added AFR = <1.0% & update Rated Workload text (pages: 9 & 11), added Case Temp note & changed "&" to "%" in Storage note (page: 17), add Reliability Section 2.12 (page: 20), cleaned up text in Mechanical Drawings (pages: 24-25) & revised SED section 4.0 (pages: 26-27).
Rev. M	03/10/2015	Change Max Case Temperature to 69°C (page: 17)
Rev. N	08/18/2015	New cover design (page: fc) Replaced mechanical drawings to correct side hole dimension (pages: 24-25)
Rev. P	09/01/2015	Revised Rated Workload statement (pages: 9, 11 & 20)
Rev. R	02/10/2016	4: Updated Support page 8 & 13: Updated drive weight to 415g / 0.915 lb; Updated 1TB, 750GB cache = 64MB/32MB 9, 10 & 17: Revised Wet Bulb to 26/29C rated 9, 11 & 20: Revised Warranty text to "Is my Drive under Warranty" 9: 1TB, 750GB Added Contact stop/start cycles = 50,000... 10 & 13: Updated 250, 320, 500GB cache = 32MB/16MB 11: Changed Byte/sector = 4096 20: Added Section 2.12.2 Storage 21: Revised Australian C-Tick to RCM 24-25: Corrected fastener penetration depth to 0.12 in. (text & drawings)
Rev. T	03/02/2016	FC, 6, 8, 11-15, 18-19, 24 & 34: Removed 1.5TB & 750GB Models 8-10 & 17: Updated temperature specs 8: Updated 2TB - Heads & Disks 8, 10 & 17: Updated Temperature to reflect "Ambient" 8 & 13: Updated 2TB - weight 8 & 15: Changed 2.8A to 2.5A 10 & 13: Updated Cache values 25-26: New mechanical drawings for 2 configurations of base deck offerings
Rev. U	04/07/2016	10: Heads = 2/1
Rev. V	09/06/2016	17: Change Max Case Temperature to 60°C 21: Added Korean text for Class B device warning 22: Updated to China RoHS 2

**© 2016 Seagate Technology LLC. All rights reserved.**

Publication number: 100686584, Rev. V September 2016

Seagate, Seagate Technology and the Spiral logo are registered trademarks of Seagate Technology LLC in the United States and/or other countries. AcuTrac, OptiCache, SmartAlign and SeaTools are either trademarks or registered trademarks of Seagate Technology LLC or one of its affiliated companies in the United States and/or other countries. All other trademarks or registered trademarks are the property of their respective owners.

No part of this publication may be reproduced in any form without written permission of Seagate Technology LLC.

Call 877-PUB-TEK1(877-782-8351) to request permission.

When referring to drive capacity, one gigabyte, or GB, equals one billion bytes and one terabyte, or TB, equals one trillion bytes. Your computer's operating system may use a different standard of measurement and report a lower capacity. In addition, some of the listed capacity is used for formatting and other functions, and thus will not be available for data storage. Actual quantities will vary based on various factors, including file size, file format, features and application software. Actual data rates may vary depending on operating environment and other factors. The export or re-export of hardware or software containing encryption may be regulated by the U.S. Department of Commerce, Bureau of Industry and Security (for more information, visit [www.bis.doc.gov](http://www.bis.doc.gov)), and controlled for import and use outside of the U.S. Seagate reserves the right to change, without notice, product offerings or specifications.

# Contents

<b>Seagate® Technology Support Services</b> .....	<b>5</b>
---	----------

---

<b>1.0 Introduction</b> .....	<b>6</b>
1.1 About the SATA interface .....	7

---

<b>2.0 Drive Specifications</b> .....	<b>8</b>
2.1 Specification summary tables .....	8
2.2 Formatted capacity .....	11
2.2.1 LBA mode .....	12
2.3 Default logical geometry .....	12
2.4 Recording and interface technology .....	12
2.5 Physical characteristics .....	13
2.6 Seek time .....	13
2.7 Start/stop times .....	14
2.8 Power specifications .....	14
2.8.1 Power consumption .....	14
2.8.2 Conducted noise .....	16
2.8.3 Voltage tolerance .....	16
2.8.4 Power-management modes .....	16
2.9 Environmental specifications .....	17
2.9.1 Ambient temperature .....	17
2.9.2 Temperature gradient .....	17
2.9.3 Humidity .....	17
2.9.4 Altitude .....	17
2.9.5 Shock .....	18
2.9.6 Non-operating vibration .....	18
2.10 Acoustics .....	19
2.10.1 Test for Prominent Discrete Tones (PDTs) .....	19
2.11 Electromagnetic immunity .....	19
2.12 Reliability .....	20
2.12.1 Annualized Failure Rate (AFR) .....	20
2.12.2 Storage .....	20
2.13 Agency certification .....	20
2.13.1 Safety certification .....	20
2.13.2 Electromagnetic compatibility .....	20
2.13.3 FCC verification .....	21
2.14 Environmental protection .....	21
2.14.1 European Union Restriction of Hazardous Substances (RoHS) Directive .....	21
2.14.2 China Requirements — China RoHS 2 .....	22
2.15 Corrosive environment .....	22

---

<b>3.0</b>	<b>Configuring and Mounting the Drive</b> .....	<b>23</b>
3.1	Handling and static-discharge precautions .....	23
3.2	Configuring the drive .....	23
3.3	SATA cables and connectors .....	23
3.4	Drive mounting .....	24

---

<b>4.0</b>	<b>About (SED) Self-Encrypting Drives</b> .....	<b>27</b>
4.1	Data Encryption .....	27
4.2	Controlled Access .....	27
4.2.1	Admin SP .....	27
4.2.2	Locking SP .....	27
4.2.3	Default password .....	27
4.2.4	ATA Enhanced Security .....	27
4.3	Random Number Generator (RNG) .....	27
4.4	Drive Locking .....	28
4.5	Data Bands .....	28
4.6	Cryptographic Erase .....	28
4.7	Authenticated Firmware Download .....	28
4.8	Power Requirements .....	28
4.9	Supported Commands .....	28
4.10	RevertSP .....	28

---

<b>5.0</b>	<b>SATA Interface</b> .....	<b>29</b>
5.1	Hot-Plug compatibility .....	29
5.2	SATA device plug connector pin definitions .....	29
5.3	Supported ATA commands .....	30
5.3.1	Identify Device command .....	32
5.3.2	Set Features command .....	36
5.3.3	S.M.A.R.T. commands .....	37

# Figures

Figure 1	Attaching SATA cabling.....	23
Figure 2	Mounting dimensions (3-disk: 2TB to 3TB models).....	24
Figure 3	Mounting dimensions (configuration 1).....	25
Figure 4	Mounting dimensions (configuration 2).....	26

# Seagate® Technology Support Services

For information regarding online support and services, visit: <http://www.seagate.com/contacts/>

For information regarding Warranty Support, visit: <http://www.seagate.com/support/warranty-and-replacements/>

For information regarding data recovery services, visit: <http://www.seagate.com/services-software/data-recovery-services/>

For Seagate OEM, Distribution partner and reseller portals, visit: <http://www.seagate.com/partners/>

## 1.0 Introduction

---

This manual describes the functional, mechanical and interface specifications for the following: Seagate® Desktop HDD model drives:

Standard models		Self-Encryption models
ST3000DM001	ST500DM002	ST3000DM002
ST2000DM001	ST320DM000	ST2000DM002
ST1000DM003	ST250DM000	ST1000DM004

**Note**

Previous generations of Seagate Self-Encrypting Drive models were called Full Disk Encryption (FDE) models before a differentiation between drive-based encryption and other forms of encryption was necessary.

These drives provide the following key features:

- 7200 RPM spindle speed.
- High instantaneous (burst) data-transfer rates (up to 600MB per second).
- TGMR recording technology provides the drives with increased areal density.
- State-of-the-art cache and on-the-fly error-correction algorithms.
- Native Command Queuing with command ordering to increase performance in demanding applications.
- Full-track multiple-sector transfer capability without local processor intervention.
- Seagate AcuTrac™ servo technology delivers dependable performance, even with hard drive track widths of only 75 nanometers.
- Seagate OptiCache™ technology boosts overall performance by as much as 45% over the previous generation.
- Seagate SmartAlign™ technology provides a simple, transparent migration to Advanced Format 4K sectors
- Quiet operation.
- Compliant with RoHS requirements in China and Europe.
- SeaTools diagnostic software performs a drive self-test that eliminates unnecessary drive returns.
- Support for S.M.A.R.T. drive monitoring and reporting.
- Supports latching SATA cables and connectors.
- Worldwide Name (WWN) capability uniquely identifies the drive.

## 1.1 About the SATA interface

The Serial ATA (SATA) interface provides several advantages over the traditional (parallel) ATA interface. The primary advantages include:

- Easy installation and configuration with true plug-and-play connectivity. It is not necessary to set any jumpers or other configuration options.
- Thinner and more flexible cabling for improved enclosure airflow and ease of installation.
- Scalability to higher performance levels.

In addition, SATA makes the transition from parallel ATA easy by providing legacy software support. SATA was designed to allow users to install a SATA host adapter and SATA disk drive in the current system and expect all of the existing applications to work as normal.

The SATA interface connects each disk drive in a point-to-point configuration with the SATA host adapter. There is no master/slave relationship with SATA devices like there is with parallel ATA. If two drives are attached on one SATA host adapter, the host operating system views the two devices as if they were both “masters” on two separate ports. This essentially means both drives behave as if they are Device 0 (master) devices.

The SATA host adapter and drive share the function of emulating parallel ATA device behavior to provide backward compatibility with existing host systems and software. The Command and Control Block registers, PIO and DMA data transfers, resets, and interrupts are all emulated.

The SATA host adapter contains a set of registers that shadow the contents of the traditional device registers, referred to as the Shadow Register Block. All SATA devices behave like Device 0 devices. For additional information about how SATA emulates parallel ATA, refer to the “Serial ATA International Organization: Serial ATA Revision 3.0”. The specification can be downloaded from [www.sata-io.org](http://www.sata-io.org).

**Note**

The host adapter may, optionally, emulate a master/slave environment to host software where two devices on separate SATA ports are represented to host software as a Device 0 (master) and Device 1 (slave) accessed at the same set of host bus addresses. A host adapter that emulates a master/slave environment manages two sets of shadow registers. This is not a typical SATA environment.



## 2.0 Drive Specifications

Unless otherwise noted, all specifications are measured under ambient conditions, at 25°C, and nominal power. For convenience, the phrases *the drive* and *this drive* are used throughout this manual to indicate the following drive models:

Standard models		Self-Encryption models
ST3000DM001	ST500DM002	ST3000DM002
ST2000DM001	ST320DM000	ST2000DM002
ST1000DM003	ST250DM000	ST1000DM004

### 2.1 Specification summary tables

The specifications listed in [Table 1](#) and [Table 2](#) are for quick reference. For details on specification measurement or definition, refer to the appropriate section of this manual.

**Table 1** Drive specifications summary for 3TB, 2TB and 1TB models

Drive Specification*	ST3000DM001 & ST3000DM002	ST2000DM001 & ST2000DM002	ST1000DM003 & ST1000DM004
Formatted capacity (512 bytes/sector)**	3000GB (3TB);	2000GB (2TB);	1000GB (1TB);
Guaranteed sectors	5,860,533,168;	3,907,029,168;	1,953,525,168;
Heads	6	6 / 4	2
Disks	3	3 / 2	1
Bytes per sector (4K physical emulated at 512-byte sectors)	4096		
Default sectors per track	63		
Default read/write heads	16		
Default cylinders	16,383		
Recording density (max)	1807kFCI		
Track density (avg)	352ktracks/in		
Areal density (avg)	625Gb/in <sup>2</sup>		
Spindle speed	7200 RPM		
Internal data transfer rate (max)	2147Mb/s		
Average data rate, read/write (MB/s)	156MB/s		
Maximum sustained data rate, OD read (MB/s)	210MB/s		
I/O data-transfer rate (max)	600MB/s		
Cache buffer	64MB		64/32 MB
Height (max)	26.1mm / 1.028 in		19.98mm / 0.787 in
Width (max)	101.6mm / 4.0 in (± 0.010 in)		101.6mm / 4.0 in (± 0.010 in)
Length (max)	146.99mm / 5.787 in		146.99mm / 5.787 in
Weight (typical)	626g / 1.38 lb	626g / 1.38lb 535g / 1.18 lb	415g / 0.915 lb
Average latency	4.16ms		
Power-on to ready (max)	<17.0s		<10.0s
Power-on to ready, 2.5A spin-up code option (typical)	<10.0s		n/a
Standby to ready (max)	<17.0s		<10.0s
Average seek, read (typical)	<8.5ms		
Average seek, write (typical)	<9.5ms		
Startup current 12V	2.0A or 2.5A		2.0A
Voltage tolerance (including noise)	5V: ±5% 12V: +10% / -7.5%		
Non-Operating ambient temperature (°C)	-40° to 70		
Operating ambient temperature (min °C)	0		

**Table 1 Drive specifications summary for 3TB, 2TB and 1TB models (continued)**

Drive Specification*	ST3000DM001 & ST3000DM002	ST2000DM001 & ST2000DM002	ST1000DM003 & ST1000DM004
Operating temperature (Drive case max °C)	60		
Temperature gradient	20°C per hour max (operating) 30°C per hour max (non-operating)		
Relative humidity	5% to 95% (operating) 5% to 95% (non-operating)		
Relative humidity gradient (max)	30% per hour		
Wet bulb temperature (max)	26°C max (operating) 29°C max (nonoperating)		
Altitude, operating	-304.8m to 3048m (-1000 ft to 10,000+ ft)		
Altitude, non-operating (below mean sea level, max)	-304.8m to 12,192m (-1000 ft to 40,000+ ft)		
Operational shock (max)	80 Gs at 2ms		
Non-operational shock (max)	300 Gs at 2ms		350 Gs at 2ms
Vibration, operating	2Hz to 22Hz: 0.25 Gs, Limited displacement 22Hz to 350Hz: 0.50 Gs 350Hz to 500Hz: 0.25 Gs		
Vibration, non-operating	5Hz to 22Hz: 3.0 Gs 22Hz to 350Hz: 3.0 Gs 350Hz to 500Hz: 3.0 Gs		
Drive acoustics, sound power			
Idle***	2.4 bels (typical) 2.6 bels (max)		2.2 bels (typical) 2.4 bels (max)
Seek	2.6 bels (typical) 2.7 bels (max)		2.4 bels (typical) 2.5 bels (max)
Non-recoverable read errors	1 per 10 <sup>14</sup> bits read		
Annualized Failure Rate (AFR)	<1.0% based on 2400 POH		
Rated Workload	Average annualized workload rating: <55 TB/year. The AFR specification for the product assumes the I/O workload does not exceed the average annualized workload rate limit of 55 TB/year. Workloads exceeding the annualized rate may degrade the product AFR and impact reliability as experienced by the particular application. The average annualized workload rate limit is in units of TB per calendar year.		
Warranty	To determine the warranty for a specific drive, use a web browser to access the following web page: <a href="http://www.seagate.com/support/warranty-and-replacements/">http://www.seagate.com/support/warranty-and-replacements/</a> . From this page, click on "Is my Drive under Warranty". Users will be asked to provide the drive serial number, model number (or part number) and country of purchase. The system will display the warranty information for the drive.		
Load/Unload cycles (25°C, 50% rel. humidity)	300,000		
Contact start-stop cycles	----		50,000 at 25°C, 50% rel. humidity
Supports Hotplug operation per the Serial ATA Revision 3.2 specification	Yes		

\*All specifications above are based on native configurations.

\*\* One GB equals one billion bytes and 1TB equals one trillion bytes when referring to hard drive capacity. Accessible capacity may vary depending on operating environment and formatting.

\*\*\* During periods of drive idle, some offline activity may occur according to the S.M.A.R.T. specification, which may increase acoustic and power to operational levels.

**Table 2 Drive specifications summary for 500GB, 320GB and 250GB models**

Drive Specification*	ST500DM002	ST320DM000	ST250DM000
Formatted capacity**	500GB	320GB	250GB
Guaranteed sectors	976,773,168	625,142,448	488,397,168
Heads	2/1		
Disks	1		
Bytes per sector (4K physical emulated at 512-byte sectors)	4096		
Default sectors per track	63		
Default read/write heads	16		
Default cylinders	16,383		
Recording density (max)	1413kb/in		
Track density (avg)	236ktracks/in		
Areal density (avg)	329Gb/in <sup>2</sup>		
Spindle speed	7200 RPM		
Internal data transfer rate (max)	1695Mb/s		
Average Data Rate, read/write (MB/s)	125MB/s		
Maximum sustained data transfer rate, OD read	144MB/s		
I/O data-transfer rate (max.)	600MB/s		
Cache buffer	16 MB		
Height (max)	19.98mm / 0.787 in		
Width (max)	101.6mm / 4.0 in (± 0.010 in)		
Length (max)	146.99mm / 5.787 in		
Weight (typical)	415g / 0.915 lb		
Average latency	4.16ms		
Power-on to ready (max)	<8.5s		
Standby to ready (max)	<8.5s		
Average seek, read (typical)	<8.5ms		
Average seek, write (typical)	<9.5ms		
Startup current (typical) 12V	2.0A		
Voltage tolerance (including noise)	5V: ±5% 12V: +10% / -7.5%		
Non-Operating ambient temperature (°C)	-40° to 70		
Operating ambient temperature (min °C)	0		
Operating temperature (Drive case max °C)	60		
Temperature gradient	20°C per hour max (operating) 30°C per hour max (non-operating)		
Relative humidity	5% to 95% (operating) 5% to 95% (non-operating)		
Relative humidity gradient (max)	30% per hour		
Wet bulb temperature (max)	26°C max (operating) 29°C max (nonoperating)		
Altitude, operating	-304.8m to 3048m (-1000 ft to 10,000+ ft)		
Altitude, non-operating (below mean sea level, max)	-304.8m to 12,192m (-1000 ft to 40,000+ ft)		
Operational shock (max)	70 Gs at 2ms		
Non-operational shock (max)	350 Gs at 2ms		
Vibration, operating	2Hz to 22Hz: 0.25 Gs, Limited displacement 22Hz to 350Hz: 0.50 Gs 350Hz to 500Hz: 0.25 Gs		
Vibration, non-operating	5Hz to 22Hz: 3.0 Gs 22Hz to 350Hz: 3.0 Gs 350Hz to 500Hz: 3.0 Gs		

**Table 2 Drive specifications summary for 500GB, 320GB and 250GB models (continued)**

Drive Specification*	ST500DM002	ST320DM000	ST250DM000
Drive acoustics, sound power			
Idle***	2.2 bels (typical) 2.3 bels (max)		
Seek	2.3 bels (typical) 2.4 bels (max)		
Non-recoverable read errors	1 per 10 <sup>14</sup> bits read		
Annualized Failure Rate (AFR)	<1.0% based on 2400 POH		
Rated Workload	Average annualized workload rating: <55 TB/year. The AFR specification for the product assumes the I/O workload does not exceed the average annualized workload rate limit of 55 TB/year. Workloads exceeding the annualized rate may degrade the product AFR and impact reliability as experienced by the particular application. The average annualized workload rate limit is in units of TB per calendar year.		
Warranty	To determine the warranty for a specific drive, use a web browser to access the following web page: <a href="http://www.seagate.com/support/warranty-and-replacements/">http://www.seagate.com/support/warranty-and-replacements/</a> From this page, click on "Is my Drive under Warranty". Users will be asked to provide the drive serial number, model number (or part number) and country of purchase. The system will display the warranty information for the drive.		
Contact start-stop cycles	50,000 at 25°C, 50% rel. humidity		
Supports Hotplug operation per the Serial ATA Revision 3.2 specification	Yes		

\* All specifications above are based on native configurations.

\*\* One GB equals one billion bytes and 1TB equals one trillion bytes when referring to hard drive capacity. Accessible capacity may vary depending on operating environment and formatting.

\*\*\* During periods of drive idle, some offline activity may occur according to the S.M.A.R.T. specification, which may increase acoustic and power to operational levels.

## 2.2 Formatted capacity

Model	Formatted capacity*	Guaranteed sectors	Bytes per sector
ST3000DM001 ST3000DM002	3000GB	5,860,533,168	4096
ST2000DM001 ST2000DM002	2000GB	3,907,029,168	
ST1000DM003 ST1000DM004	1000GB	1,953,525,168	
ST500DM002	500GB	976,773,168	
ST320DM000	320GB	625,142,448	
ST250DM000	250GB	488,397,168	

\*One GB equals one billion bytes and 1TB equals one trillion bytes when referring to hard drive capacity. Accessible capacity may vary depending on operating environment and formatting.

### 2.2.1 LBA mode

When addressing these drives in LBA mode, all blocks (sectors) are consecutively numbered from 0 to  $n-1$ , where  $n$  is the number of guaranteed sectors as defined above.

See Section 5.3.1, "Identify Device command" (words 60-61 and 100-103) for additional information about 48-bit addressing support of drives with capacities over 137GB.

### 2.3 Default logical geometry

- **Cylinders:** 16,383
- **Read/write heads:** 16
- **Sectors per track:** 63

#### LBA mode

When addressing these drives in LBA mode, all blocks (sectors) are consecutively numbered from 0 to  $n-1$ , where  $n$  is the number of guaranteed sectors as defined above.

### 2.4 Recording and interface technology

<b>Interface</b>	SATA
<b>Recording method</b>	TGMR
<b>Recording density (kFCI)</b>	
3TB, 2TB and 1TB models	1807
500GB, 320GB and 250GB models	1413
<b>Track density (ktracks/inch avg)</b>	352
<b>Areal density (Gb/in<sup>2</sup>)</b>	
3TB, 2TB and 1TB models	625
500GB, 320GB and 250GB models	329
<b>Spindle speed (RPM)</b>	7200 ± 0.2%
<b>Internal data transfer rate (Mb/s max)</b>	2147
<b>Maximum sustained data transfer rate, OD read (MB/s)</b>	
3TB, 2TB and 1TB models	210
500GB, 320GB and 250GB models	144
<b>Average data rate, read/write (MB/s)</b>	
3TB, 2TB and 1TB models	156
500GB, 320GB and 250GB models	125
<b>I/O data-transfer rate (MB/s max)</b>	600

## 2.5 Physical characteristics

<b>Maximum height</b>	
	3TB and 2TB 26.1mm / 1.028 in
	1TB, 500GB, 320GB, 250GB 19.98mm / 0.787 in
<b>Maximum width (all models)</b>	101.6mm / 4.0 in (± 0.010 in)
<b>Maximum length (all models)</b>	146.99mm / 5.787 in
<b>Typical weight</b>	
	3TB 626g / 1.38 lb
	2TB 626g / 1.38 lb - or - 535g / 1.18 lb
	1TB, 500GB, 320GB and 250GB 415g / 0.915 lb
<b>Cache buffer</b>	
	3TB, 2TB 64MB (64,768kB)
	1TB 64MB (64,768kB) / 32MB (32,768kB)
	500GB, 320GB and 250GB 16MB (16,384kB)

## 2.6 Seek time

Seek measurements are taken with nominal power at 25°C ambient temperature. All times are measured using drive diagnostics. The specifications in the table below are defined as follows:

- Track-to-track seek time is an average of all possible single-track seeks in both directions.
- Average seek time is a true statistical random average of at least 5000 measurements of seeks between random tracks, less overhead.

Typical seek times (ms)	Read	Write
Track-to-track	1.0	1.2
Average	8.5	9.5
Average latency	4.16	

### Note

These drives are designed to consistently meet the seek times represented in this manual. Physical seeks, regardless of mode (such as track-to-track and average), are expected to meet the noted values. However, due to the manner in which these drives are formatted, benchmark tests that include command overhead or measure logical seeks may produce results that vary from these specifications.

## 2.7 Start/stop times

	<b>3-disk</b> (3TB, 2TB models)	<b>2-disk</b> (2TB models)	<b>1-disk</b> (1TB models)	<b>1-disk</b> (250GB, 320GB, 500GB models)
Power-on to ready (in seconds)	15 (typical) 17 (max)		10 (typical) 12 (max)	8.5 (typical) 10 (max)
Power-on to ready, 2.5A spin-up code option (in seconds, typical)	<10		n/a	
Standby to ready (in seconds)	15 (typical) 17 (max)		10 (typical) 12 (max)	8.5 (typical) 10 (max)
Ready to spindle stop (in seconds)	10 (typical) 11 (max)		10 (typical) 11 (max)	

Time-to-ready may be longer than normal if the drive power is removed without going through normal OS powerdown procedures.

## 2.8 Power specifications

The drive receives DC power (+5V or +12V) through a native SATA power connector. Refer to [Figure 1 on page 23](#).

### 2.8.1 Power consumption

Power requirements for the drives are listed in [Table 3](#), [Table 4](#), [Table 5](#) and [Table 6](#). Typical power measurements are based on an average of drives tested, under nominal conditions, using 5.0V and 12.0V input voltage at 25°C ambient temperature.

- Spinup power  
Spinup power is measured from the time of power-on to the time that the drive spindle reaches operating speed.
- Read/write power and current  
Read/write power is measured with the heads on track, based on a 16-sector write followed by a 32-ms delay, then a 16-sector read followed by a 32-ms delay.
- Operating power and current  
Operating power is measured using 40 percent random seeks, 40 percent read/write mode (1 write for each 10 reads) and 20 percent drive idle mode.
- Idle mode power  
Idle mode power is measured with the drive up to speed, with servo electronics active and with the heads in a random track location.
- Standby mode  
During Standby mode, the drive accepts commands, but the drive is not spinning, and the servo and read/write electronics are in power-down mode.

**Table 3 DC power requirements (3-disk: 3TB and 2TB models)**

Power dissipation (3-disk values shown)	Avg (watts 25° C)	Avg 5V typ amps	Avg 12V amps
Spinup	—	—	2.0A or 2.5A
Idle2* †	5.40	0.190	0.377
Operating	8.00	0.510	0.462
Standby	0.75	0.136	0.005
Sleep	0.75	0.136	0.005

**Table 4 DC power requirements (2-disk: 2TB models)**

Power dissipation (2-disk values shown)	Avg (watts 25° C)	Avg 5V typ amps	Avg 12V amps
Spinup	—	—	2.0A or 2.5A
Idle2* †	4.50	0.196	0.296
Operating	6.70	0.525	0.340
Standby	0.75	0.136	0.005
Sleep	0.75	0.136	0.005

**Table 5 DC power requirements (1-disk: 1TB models)**

Power dissipation (1-disk values shown)	Avg (watts 25° C)	Avg 5V typ amps	Avg 12V amps
Spinup	—	—	2.0
Idle2* †	3.36	0.152	0.216
Operating	5.90	0.500	0.329
Standby	0.63	0.111	0.006
Sleep	0.63	0.111	0.006

**Table 6 DC power requirements (1-disk: 500, 320 and 250GB models)**

Power dissipation (1-disk values shown)	Avg (watts 25° C)	Avg 5V typ amps	Avg 12V typ amps
Spinup	—	—	2.0
Perf Idle* †	4.60	0.378	0.224
Operating	6.19	0.656	0.243
Standby	0.79	0.350	0.010
Sleep	0.79	0.350	0.010

\*During periods of drive idle, some offline activity may occur according to the S.M.A.R.T. specification, which may increase acoustic and power to operational levels.

†5W IDLE with DIPLM Enabled



## 2.8.2 Conducted noise

Input noise ripple is measured at the host system power supply across an equivalent 80-ohm resistive load on the +12 volt line or an equivalent 15-ohm resistive load on the +5 volt line.

- Using 12-volt power, the drive is expected to operate with a maximum of 120 mV peak-to-peak square-wave injected noise at up to 10MHz.
- Using 5-volt power, the drive is expected to operate with a maximum of 100 mV peak-to-peak square-wave injected noise at up to 10MHz.

<b>Note</b>	Equivalent resistance is calculated by dividing the nominal voltage by the typical RMS read/write current.
-------------	--

## 2.8.3 Voltage tolerance

Voltage tolerance (including noise):

- 5V  $\pm$ 5%
- 12V +10% / -7.5%

## 2.8.4 Power-management modes

The drive provides programmable power management to provide greater energy efficiency. In most systems, users can control power management through the system setup program. The drive features the following power-management modes:

Power modes	Heads	Spindle	Buffer
Active	Tracking	Rotating	Enabled
Idle	Tracking	Rotating	Enabled
Standby	Parked	Stopped	Enabled
Sleep	Parked	Stopped	Disabled

- Active mode
  - The drive is in Active mode during the read/write and seek operations.
- Idle mode
  - The buffer remains enabled, and the drive accepts all commands and returns to Active mode any time disk access is necessary.
- Standby mode
  - The drive enters Standby mode when the host sends a Standby Immediate command. If the host has set the standby timer, the drive can also enter Standby mode automatically after the drive has been inactive for a specifiable length of time. The standby timer delay is established using a Standby or Idle command. In Standby mode, the drive buffer is enabled, the heads are parked and the spindle is at rest. The drive accepts all commands and returns to Active mode any time disk access is necessary.
- Sleep mode
  - The drive enters Sleep mode after receiving a Sleep command from the host. In Sleep mode, the drive buffer is disabled, the heads are parked and the spindle is at rest. The drive leaves Sleep mode after it receives a Hard Reset or Soft Reset from the host. After receiving a reset, the drive exits Sleep mode and enters Standby mode with all current translation parameters intact.
- Idle and Standby timers
  - Each time the drive performs an Active function (read, write or seek), the standby timer is reinitialized and begins counting down from its specified delay times to zero. If the standby timer reaches zero before any drive activity is required, the drive makes a transition to Standby mode. In both Idle and Standby mode, the drive accepts all commands and returns to Active mode when disk access is necessary.

## 2.9 Environmental specifications

This section provides the temperature, humidity, shock, and vibration specifications. Ambient temperature is defined as the temperature of the environment immediately surrounding the drive. Above 1000ft. (305 meters), the maximum temperature is derated linearly by 1°C every 1000 ft.

<b>Note</b>	The maximum allowable drive case temperature is 60°C. See Figures 2 & 3 for HDA case temperature measurement locations.
-------------	--

Refer to [Section 3.4 Drive mounting](#) for base plate measurement location.

### 2.9.1 Ambient temperature

<b>Non-Operating ambient temperature (°C)</b>	-40° to 70
<b>Operating ambient temperature (min °C)</b>	0
<b>Operating temperature (Drive case max °C)</b>	60

### 2.9.2 Temperature gradient

<b>Operating</b>	20°C per hour (68°F per hour max), without condensation
<b>Non-operating</b>	30°C per hour (86°F per hour max)

### 2.9.3 Humidity

#### 2.9.3.1 Relative humidity

<b>Operating</b>	5% to 95% non-condensing (30% per hour max)
<b>Nonoperating</b>	5% to 95% non-condensing (30% per hour max)

#### 2.9.3.2 Wet bulb temperature

<b>Operating</b>	26°C / 78.8°F (rated)
<b>Non-operating</b>	29°C / 84.2°F (rated)

### 2.9.4 Altitude

<b>Operating</b>	-304.8m to 3048m (-1000 ft. to 10,000+ ft.)
<b>Non-operating</b>	-304.8m to 12,192m (-1000 ft. to 40,000+ ft.)

## 2.9.5 Shock

All shock specifications assume that the drive is mounted securely with the input shock applied at the drive mounting screws. Shock may be applied in the X, Y or Z axis.

### 2.9.5.1 Operating shock

These drives comply with the performance levels specified in this document when subjected to a maximum operating shock of 80 Gs based on half-sine shock pulses of 2 ms during read operations. Shocks should not be repeated more than two times per second.

### 2.9.5.2 Non-operating shock

#### 3TB and 2TB models

The non-operating shock level that the drive can experience without incurring physical damage or degradation in performance when subsequently put into operation is 300 Gs based on a non-repetitive half-sine shock pulse of 2 ms duration.

#### 1TB, 500GB, 320GB and 250GB models

The non-operating shock level that the drive can experience without incurring physical damage or degradation in performance when subsequently put into operation is 350 Gs based on a non-repetitive half-sine shock pulse of 2-ms duration.

### 2.9.5.3 Operating vibration

The maximum vibration levels that the drive may experience while meeting the performance standards specified in this document are specified below.

2Hz to 22Hz	0.25 Gs (Limited displacement)
22Hz to 350Hz	0.50 Gs
350Hz to 500Hz	0.25 Gs

All vibration specifications assume that the drive is mounted securely with the input vibration applied at the drive mounting screws. Vibration may be applied in the X, Y or Z axis. Throughput may vary if improperly mounted.

## 2.9.6 Non-operating vibration

The maximum non-operating vibration levels that the drive may experience without incurring physical damage or degradation in performance when subsequently put into operation are specified below.

5Hz to 22Hz	3.0 Gs (Limited displacement)
22Hz to 350Hz	3.0 Gs
350Hz to 500Hz	3.0 Gs

## 2.10 Acoustics

Drive acoustics are measured as overall A-weighted acoustic sound power levels (no pure tones). All measurements are consistent with ISO document 7779. Sound power measurements are taken under essentially free-field conditions over a reflecting plane. For all tests, the drive is oriented with the cover facing upward.

<b>Note</b>	For seek mode tests, the drive is placed in seek mode only. The number of seeks per second is defined by the following equation:
	(Number of seeks per second = $0.4 / (\text{average latency} + \text{average access time})$ )

**Table 7 Fluid Dynamic Bearing (FDB) motor acoustics**

	Idle*	Seek
<b>3 Disks</b> (3TB, 2TB)	2.4 bels (typical) 2.6 bels (max)	2.6 bels (typical) 2.7 bels (max)
<b>2 Disks</b> (2TB)		
<b>1 Disk</b> (1TB)	2.2 bels (typical) 2.3 bels (max)	2.3 bels (typical) 2.4 bels (max)
<b>1 Disk</b> (500GB, 320GB, 250GB)	2.2 bels (typical) 2.4 bels (max)	2.4 bels (typical) 2.5 bels (max)

\*During periods of drive idle, some offline activity may occur according to the S.M.A.R.T. specification, which may increase acoustic and power to operational levels.

### 2.10.1 Test for Prominent Discrete Tones (PDTs)

Seagate follows the ECMA-74 standards for measurement and identification of PDTs. An exception to this process is the use of the absolute threshold of hearing. Seagate uses this threshold curve (originated in ISO 389-7) to discern tone audibility and to compensate for the inaudible components of sound prior to computation of tone ratios according to Annex D of the ECMA-74 standards.

## 2.11 Electromagnetic immunity

When properly installed in a representative host system, the drive operates without errors or degradation in performance when subjected to the radio frequency (RF) environments defined in [Table 8](#).

**Table 8 Radio frequency environments**

Test	Description	Performance level	Reference standard
Electrostatic discharge	Contact, HCP, VCP: $\pm 4$ kV; Air: $\pm 8$ kV	B	EN61000-4-2: 95
Radiated RF immunity	80MHz to 1,000MHz, 3 V/m, 80% AM with 1kHz sine 900MHz, 3 V/m, 50% pulse modulation @ 200Hz	A	EN61000-4-3: 96 ENV50204: 95
Electrical fast transient	$\pm 1$ kV on AC mains, $\pm 0.5$ kV on external I/O	B	EN61000-4-4: 95
Surge immunity	$\pm 1$ kV differential, $\pm 2$ kV common, AC mains	B	EN61000-4-5: 95
Conducted RF immunity	150kHz to 80MHz, 3 Vrms, 80% AM with 1kHz sine	A	EN61000-4-6: 97
Voltage dips, interrupts	0% open, 5 seconds 0% short, 5 seconds 40%, 0.10 seconds 70%, 0.01 seconds	C C C B	EN61000-4-11: 94

## 2.12 Reliability

### 2.12.1 Annualized Failure Rate (AFR)

The production disk drive shall achieve an annualized failure-rate of <1.0% over a 5 year service life when used in Desktop Storage field conditions as limited by the following:

- 2400 power-on-hours per year.
- Typical workload

Nonrecoverable read errors	1 per 10 <sup>14</sup> bits read, max
Rated Workload	Average annualized workload rating: <55 TB/year. The AFR specification for the product assumes the I/O workload does not exceed the average annualized workload rate limit of 55 TB/year. Workloads exceeding the annualized rate may degrade the product AFR and impact reliability as experienced by the particular application. The average annualized workload rate limit is in units of TB per calendar year.
Warranty	To determine the warranty for a specific drive, use a web browser to access the following web page: <a href="http://www.seagate.com/support/warranty-and-replacements/">http://www.seagate.com/support/warranty-and-replacements/</a> . From this page, click on the "Is my Drive under Warranty" link. The following are required to be provided: the drive serial number, model number (or part number) and country of purchase. The system will display the warranty information for the drive.
Preventive maintenance	None required.

### 2.12.2 Storage

Maximum storage periods are 180 days within original unopened Seagate shipping package or 60 days unpackaged within the defined non-operating limits (refer to environmental section in this manual). Storage can be extended to 1 year packaged or unpackaged under optimal environmental conditions (25°C, <40% relative humidity non-condensing, and non-corrosive environment). During any storage period the drive non-operational temperature, humidity, wet bulb, atmospheric conditions, shock, vibration, magnetic and electrical field specifications should be followed.

## 2.13 Agency certification

### 2.13.1 Safety certification

These products are certified to meet the requirements of UL60950-1, CSA60950-1 and EN60950 and so marked as to the certify agency.

### 2.13.2 Electromagnetic compatibility

Hard drives that display the CE mark comply with the European Union (EU) requirements specified in the Electromagnetic Compatibility Directive (2004/108/EC) as put into place 20 July 2007. Testing is performed to the levels specified by the product standards for Information Technology Equipment (ITE). Emission levels are defined by EN 55022, Class B and the immunity levels are defined by EN 55024.

Drives are tested in representative end-user systems. Although CE-marked Seagate drives comply with the directives when used in the test systems, we cannot guarantee that all systems will comply with the directives. The drive is designed for operation inside a properly designed enclosure, with properly shielded I/O cable (if necessary) and terminators on all unused I/O ports. Computer manufacturers and system integrators should confirm EMC compliance and provide CE marking for their products.

### Korean RRL

If these drives have the Korean Communications Commission (KCC) logo, they comply with paragraph 1 of Article 11 of the Electromagnetic Compatibility control Regulation and meet the Electromagnetic Compatibility (EMC) Framework requirements of the Radio Research Laboratory (RRL) Communications Commission, Republic of Korea.

These drives have been tested and comply with the Electromagnetic Interference/Electromagnetic Susceptibility (EMI/EMS) for Class B products. Drives are tested in a representative, end-user system by a Korean-recognized lab.

B급 기기 (가정용 정보통신기기)	이 기기는 가정용으로 전자파적합등록을한 기기로서 주거지역에서는 물론 모든지역에서 사용할 수 있습니다.
-----------------------	--

### Australian RCM Compliance Mark

Models displayed with the RCM compliance mark, comply with the mandatory standards as per the Australian Communications and Media Authority (ACMA) Electromagnetic Compatibility (EMC) regulatory arrangement.

### 2.13.3 FCC verification

These drives are intended to be contained solely within a personal computer or similar enclosure (not attached as an external device). As such, each drive is considered to be a subassembly even when it is individually marketed to the customer. As a subassembly, no Federal Communications Commission verification or certification of the device is required.

Seagate has tested this device in enclosures as described above to ensure that the total assembly (enclosure, disk drive, motherboard, power supply, etc.) does comply with the limits for a Class B computing device, pursuant to Subpart J, Part 15 of the FCC rules. Operation with non-certified assemblies is likely to result in interference to radio and television reception.

**Radio and television interference.** This equipment generates and uses radio frequency energy and if not installed and used in strict accordance with the manufacturer's instructions, may cause interference to radio and television reception.

This equipment is designed to provide reasonable protection against such interference in a residential installation. However, there is no guarantee that interference will not occur in a particular installation. If this equipment does cause interference to radio or television, which can be determined by turning the equipment on and off, users are encouraged to try one or more of the following corrective measures:

- Reorient the receiving antenna.
- Move the device to one side or the other of the radio or TV.
- Move the device farther away from the radio or TV.
- Plug the computer into a different outlet so that the receiver and computer are on different branch outlets.

If necessary, users should consult the dealer or an experienced radio/television technician for additional suggestions. Users may find helpful the following booklet prepared by the Federal Communications Commission: *How to Identify and Resolve Radio-Television Interference Problems*. This booklet is available from the Superintendent of Documents, U.S. Government Printing Office, Washington, DC 20402. Refer to publication number 004-000-00345-4.

## 2.14 Environmental protection

Seagate designs its products to meet environmental protection requirements worldwide, including regulations restricting certain chemical substances.

### 2.14.1 European Union Restriction of Hazardous Substances (RoHS) Directive

The European Union Restriction of Hazardous Substances (RoHS) Directive, restricts the presence of chemical substances, including Lead, Cadmium, Mercury, Hexavalent Chromium, PBB and PBDE, in electronic products, effective July 2006. This drive is manufactured with components and materials that comply with the RoHS Directive.

## 2.14.2 China Requirements — China RoHS 2

China RoHS 2 refers to the Ministry of Industry and Information Technology Order No. 32, effective July 1, 2016, titled Management Methods for the Restriction of the Use of Hazardous Substances in Electrical and Electronic Products. To comply with China RoHS 2, we determined this product's Environmental Protection Use Period (EPUP) to be 20 years in accordance with the *Marking for the Restricted Use of Hazardous Substances in Electronic and Electrical Products*, SJT 11364-2014.

### 中国电器电子产品有害物质限制使用管理办法

(Management Methods for the Restriction of the Use of Hazardous Substances in Electrical and Electronic Products \_ China RoHS)

### 产品中有害物质的名称及含量

(Name and Content of the Hazardous Substances in Product)



**Table 9 Hazardous Substances**

部件名称 Part Name	有害物质 Hazardous Substances					
	铅 Lead (Pb)	汞 Mercury (Hg)	镉 Cadmium (Cd)	六价铬 Hexavalent Chromium (CF (VI))	多溴联苯 Polybrominated biphenyls (PBB)	多溴二苯醚 Polybrominated diphenyl ethers (PBDE)
印刷电路板组装 PCBA	X	O	O	O	O	O
机壳 Chassis	X	O	O	O	O	O

本表格依据 SJ/T 11364 的规定编制。  
This table is prepared in accordance with the provisions of SJ/T 11364-2014

**O:** 表示该有害物质在该部件所有均质材料中的含量均在 GB/T 26572 规定的限量要求以下。  
**O:** Indicates that the hazardous substance contained in all of the homogeneous materials for this part is below the limit requirement of GB/T26572.

**X:** 表示该有害物质至少在该部件的某一均质材料中的含量超出 GB/T 26572 规定的限量要求。  
**X:** Indicates that the hazardous substance contained in at least one of the homogeneous materials used for this part is above the limit requirement of GB/T26572.

## 2.15 Corrosive environment

Seagate electronic drive components pass accelerated corrosion testing equivalent to 10 years exposure to light industrial environments containing sulfurous gases, chlorine and nitric oxide, classes G and H per ASTM B845. However, this accelerated testing cannot duplicate every potential application environment. Users should use caution exposing any electronic components to uncontrolled chemical pollutants and corrosive chemicals as electronic drive component reliability can be affected by the installation environment. The silver, copper, nickel and gold films used in Seagate products are especially sensitive to the presence of sulfide, chloride, and nitrate contaminants. Sulfur is found to be the most damaging. In addition, electronic components should never be exposed to condensing water on the surface of the printed circuit board assembly (PCBA) or exposed to an ambient relative humidity greater than 95%. Materials used in cabinet fabrication, such as vulcanized rubber, that can outgas corrosive compounds should be minimized or eliminated. The useful life of any electronic equipment may be extended by replacing materials near circuitry with sulfide-free alternatives.

## 3.0 Configuring and Mounting the Drive

This section contains the specifications and instructions for configuring and mounting the drive.

### 3.1 Handling and static-discharge precautions

After unpacking, and before installation, the drive may be exposed to potential handling and electrostatic discharge (ESD) hazards. Observe the following standard handling and static-discharge precautions:

#### Caution

- Before handling the drive, put on a grounded wrist strap, or ground oneself frequently by touching the metal chassis of a computer that is plugged into a grounded outlet. Wear a grounded wrist strap throughout the entire installation procedure.
- Handle the drive by its edges or frame *only*.
- The drive is extremely fragile—handle it with care. Do not press down on the drive top cover.
- Always rest the drive on a padded, antistatic surface until mounting it in the computer.
- Do not touch the connector pins or the printed circuit board.
- Do not remove the factory-installed labels from the drive or cover them with additional labels. Removal voids the warranty. Some factory-installed labels contain information needed to service the drive. Other labels are used to seal out dirt and contamination.

### 3.2 Configuring the drive

Each drive on the SATA interface connects point-to-point with the SATA host adapter. There is no master/slave relationship because each drive is considered a master in a point-to-point relationship. If two drives are attached on one SATA host adapter, the host operating system views the two devices as if they were both “masters” on two separate ports. Both drives behave as if they are Device 0 (master) devices.

SATA drives are designed for easy installation. It is usually not necessary to set any jumpers on the drive for proper operation; however, if users connect the drive and receive a “drive not detected” error, the SATA-equipped motherboard or host adapter may use a chipset that does not support SATA speed autonegotiation.

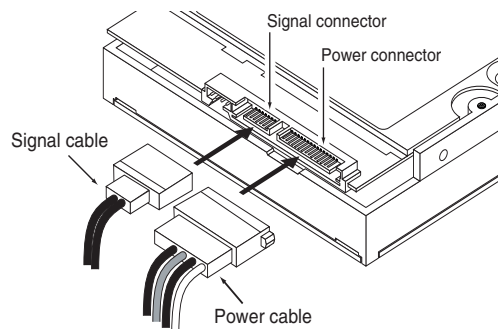
### 3.3 SATA cables and connectors

The SATA interface cable consists of four conductors in two differential pairs, plus three ground connections. The cable size may be 30 to 26 AWG with a maximum length of one meter (39.37 inches). See [Table 10](#) for connector pin definitions. Either end of the SATA signal cable can be attached to the drive or host.

For direct backplane connection, the drive connectors are inserted directly into the host receptacle. The drive and the host receptacle incorporate features that enable the direct connection to be hot pluggable and blind mateable.

For installations which require cables, users can connect the drive as illustrated in [Figure 1](#).

**Figure 1 Attaching SATA cabling**



Each cable is keyed to ensure correct orientation. Desktop HDD drives support latching SATA connectors.

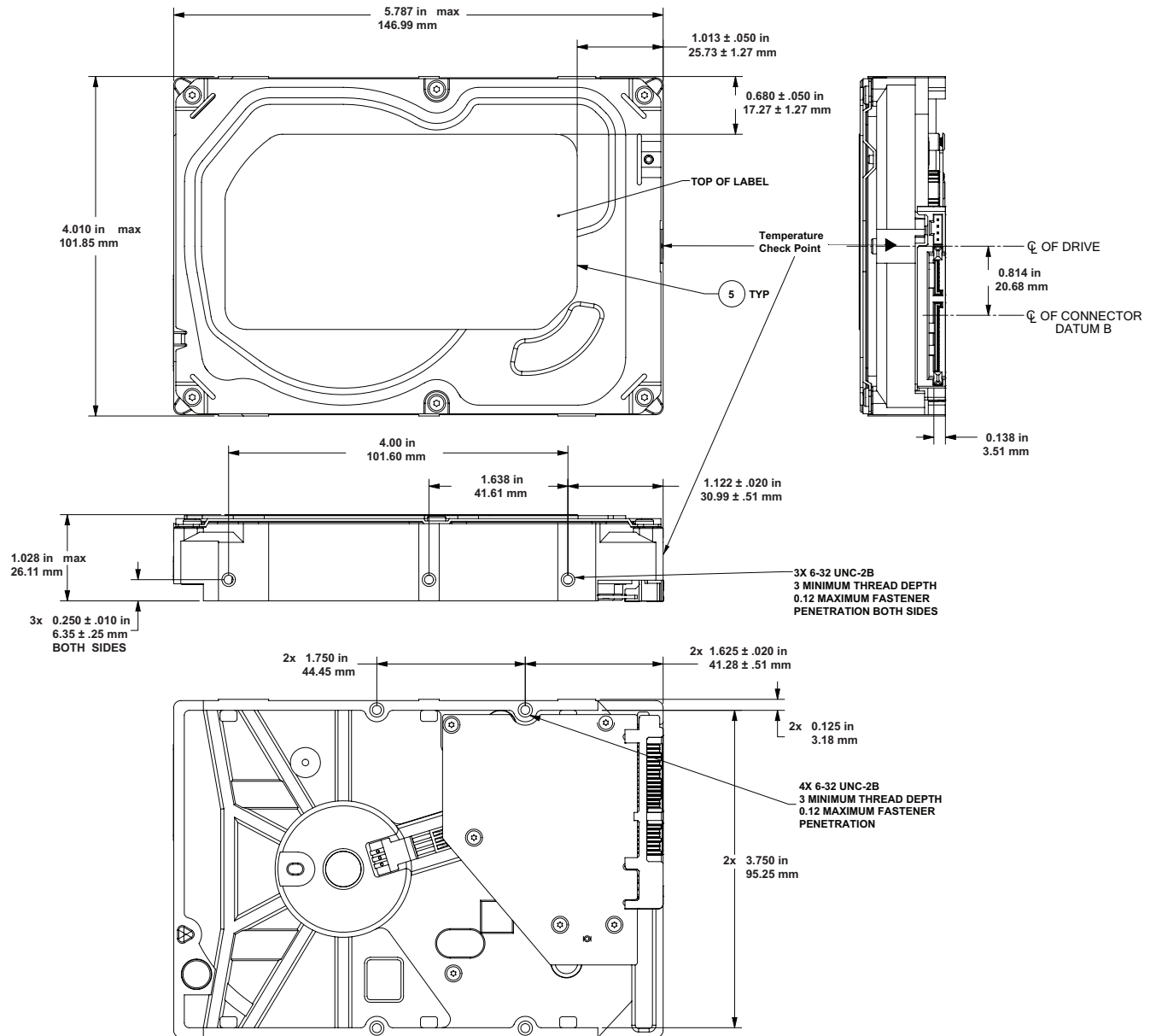


### 3.4 Drive mounting

Users can mount the drive in any orientation using four screws in the side-mounting holes or four screws in the bottom-mounting holes. Refer to [Figure 2](#) and [Figure 3](#) for drive mounting dimensions. Follow these important mounting precautions when mounting the drive:

- Allow a minimum clearance of 0.030 inches (0.76mm) around the entire perimeter of the drive for cooling.
- Use only 6-32 UNC mounting screws.
- The screws should be inserted no more than 0.120 inch (3.05mm) into the bottom or side mounting holes.
- Do not overtighten the mounting screws (maximum torque: 6 inch-lb).

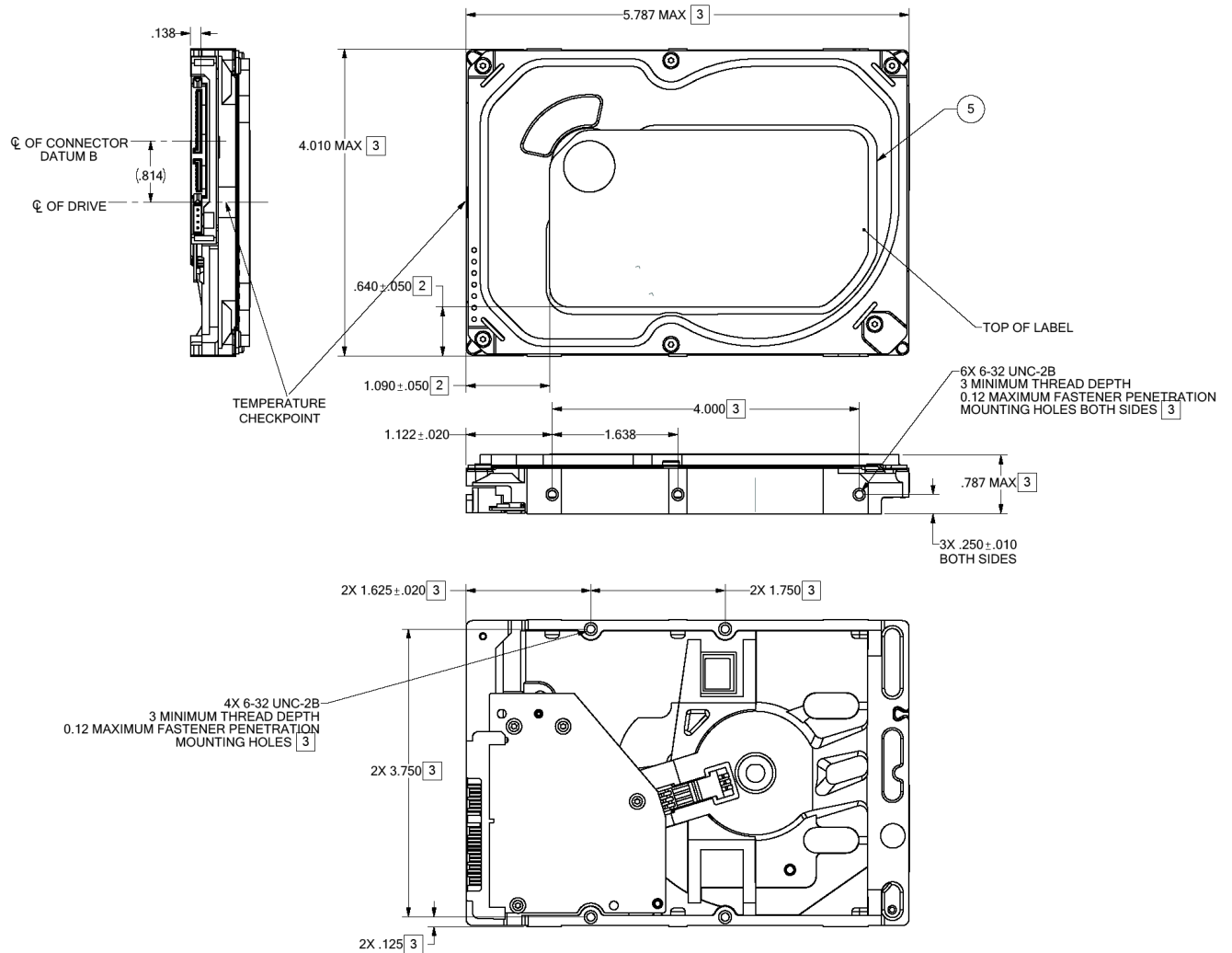
**Figure 2 Mounting dimensions (3-disk: 2TB to 3TB models)**



**Note** Drawings are for mounting hole reference only. PCBA show in pictorial only and can vary based on specific customer configurations.

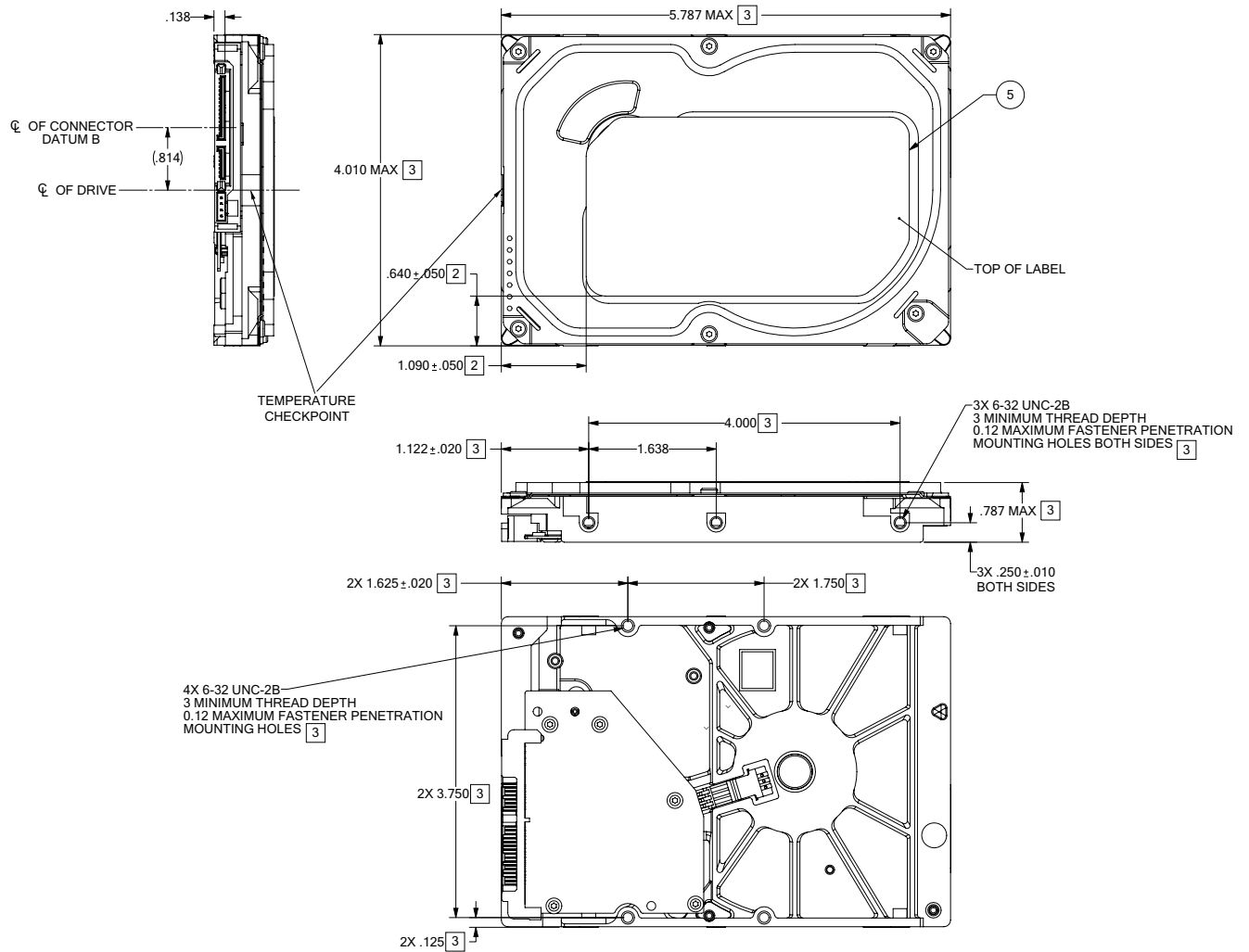
Seagate utilizes two base decks for 250GB through 1TB capacities, as shown below.

**Figure 3 Mounting dimensions (configuration 1)**



**Note** Drawings are for mounting hole reference only. PCBA show in pictorial only and can vary based on specific customer configurations.

Figure 4 Mounting dimensions (configuration 2)



**Note** Drawings are for mounting hole reference only. PCBA show in pictorial only and can vary based on specific customer configurations.

## 4.0 About (SED) Self-Encrypting Drives

---

Self-encrypting drives (SEDs) offer encryption and security services for the protection of stored data, commonly known as "data at rest". These drives are compliant with the Trusted Computing Group (TCG) Opal Storage Specifications as detailed in the following:

- TCG Storage Architecture Core Specification, Version 2.0 (see [www.trustedcomputinggroup.org](http://www.trustedcomputinggroup.org))
- TCG Storage Security Subsystem Class Opal Specification, Version 2.0 (see [www.trustedcomputinggroup.org](http://www.trustedcomputinggroup.org))

In case of conflict between this document and any referenced document, this document takes precedence.

The Trusted Computing Group (TCG) is a standards organization sponsored and operated by companies in the computer, storage and digital communications industry. Seagate's SED models comply with the standards published by the TCG.

To use the security features in the drive, the host must be capable of constructing and issuing the following two SATA commands:

- Trusted Send
- Trusted Receive

These commands are used to convey the TCG protocol to and from the drive in their command payloads. Seagate Secure SEDs also support TCG Single User Mode, which can be disabled.

### 4.1 Data Encryption

Encrypting drives use one inline encryption engine within each drive employing AES-256 algorithms in Cipher Block Chaining (CBC) mode to encrypt all data prior to being written on the media and to decrypt all data as it is read from the media. The encryption engine is always in operation and cannot be disabled. The 32-byte Data Encryption Key (DEK) is a random number which is generated by the drive, never leaves the drive, and is inaccessible to the host system. The DEK is itself encrypted when it is stored on the media and when in volatile temporary storage (DRAM), which is external to the encryption engine. A unique data encryption key is used for each of the drive's possible 16 data bands (see [Section 4.5 Data Bands](#)).

### 4.2 Controlled Access

The drive has two security providers (SPs) called the "Admin SP" and the "Locking SP." These act as gatekeepers to the drive security services. Security-related commands will not be accepted unless the user provides the correct credentials to prove that they are authorized to perform the command.

#### 4.2.1 Admin SP

The Admin SP allows the drive's owner to enable or disable firmware download operations (see [Section 4.4 Drive Locking](#)). Access to the Admin SP is available using the SID (Secure ID) password.

#### 4.2.2 Locking SP

The Locking SP controls read/write access to the media and the cryptographic erase feature. Access to the Locking SP is available using the Admin or User passwords.

#### 4.2.3 Default password

When the drive is shipped from the factory, all passwords are set to the value of MSID. This 32-byte random value can only be read by the host electronically over the interface. After receipt of the drive, it is the responsibility of the owner to use the default MSID password as the authority to change all other passwords to unique owner-specified values.

#### 4.2.4 ATA Enhanced Security

The drive can utilize the system's BIOS through the ATA Security API for cases that do not require password management and additional security policies.

Furthermore, the drive's ATA Security Erase Unit command shall support both Normal and Enhanced Erase modes with the following modifications/additions:

**Normal Erase:** Normal erase feature shall be performed by changing the Data Encryption Key (DEK) of the drive, followed by an overwrite operation that repeatedly writes a single sector containing random data to the entire drive. This write operation bypasses the media encryption. On reading back the overwritten sectors, the host will receive a decrypted version, using the new DEK of the random data sector (the returned data will not match what was written).

**Enhanced Erase:** Enhanced erase shall be performed by changing the Data Encryption Key of the drive.

### 4.3 Random Number Generator (RNG)

The drive has a 32-byte hardware RNG that it uses to derive encryption keys or, if requested to do so, to provide random numbers to the host for system use, including using these numbers as Authentication Keys (passwords) for the drive's Admin and Locking SPs.

## 4.4 Drive Locking

In addition to changing the passwords, as described in [Section 4.2.3 Default password](#), the owner should also set the data access controls for the individual bands.

The variable "LockOnReset" should be set to "PowerCycle" to ensure that the data bands will be locked if power is lost. In addition "ReadLockEnabled" and "WriteLockEnabled" must be set to true in the locking table in order for the bands "LockOnReset" setting of "PowerCycle" to actually lock access to the band when a "PowerCycle" event occurs. This scenario occurs if the drive is removed from its cabinet. The drive will not honor any data read or write requests until the bands have been unlocked. This prevents the user data from being accessed without the appropriate credentials when the drive has been removed from its cabinet and installed in another system.

## 4.5 Data Bands

When shipped from the factory, the drive is configured with a single data band called Band 0 (also known as the Global Data Band) which comprises LBA 0 through LBA max. The host may allocate additional bands (Band1 to Band15) by specifying a start LBA and an LBA range. The real estate for this band is taken from the Global Band.

Data bands cannot overlap but they can be sequential with one band ending at LBA (x) and the next beginning at LBA (x+1).

Each data band has its own drive-generated encryption key. The host may change the Encryption Key (see [Section 4.6 Cryptographic Erase](#)) or the password when required.

## 4.6 Cryptographic Erase

A valuable feature of SEDs is the ability to perform a cryptographic erase. This involves the host telling the drive to change the data encryption key for a particular band. Once changed, the data is no longer recoverable since it was written with one key and will be read using a different key. Since the drive overwrites the old key with the new one, and keeps no history of key the older key, the user data can never be recovered. This is done in a matter of seconds and is very useful if the drive is to be scrapped or repurposed.

## 4.7 Authenticated Firmware Download

In addition to providing a locking mechanism to prevent unwanted firmware download attempts, the drive also only accepts download files which have been cryptographically signed by the appropriate Seagate Design Center.

Three conditions must be met before the drive will allow the download operation:

1. The download must be an SED file. A standard drive (non-SED) file will be rejected.
2. The download file must be signed and authenticated.
3. As with a non-SED drive, the download file must pass the acceptance criteria for the drive. For example it must be applicable to the correct drive model, and have compatible revision and customer status.

## 4.8 Power Requirements

The standard drive models and the SED drive models have identical hardware, however the security and encryption portion of the drive controller ASIC is enabled and functional in the SED models. This represents a small additional drain on the 5V supply of about

30mA and a commensurate increase of about 150mW in power consumption. There is no additional drain on the 12V supply. See the tables in [Section 2.8 Power specifications](#) for power requirements on the standard (non-SED) drive models.

## 4.9 Supported Commands

The SED models support the following two commands in addition to the commands supported by the standard (non-SED) models as listed in [Table 11](#):

- Trusted Send
- Trusted Receive

## 4.10 RevertSP

SED models will support the RevertSP feature which erases all data in all bands on the device and returns the contents of all SPs (Security Providers) on the device to their original factory state. In order to execute the RevertSP method the unique PSID (Physical Secure ID) printed on the drive label must be provided. PSID is not electronically accessible and can only be manually read from the drive label or scanned in via the 2D barcode.

## 5.0 SATA Interface

These drives use the industry-standard Serial ATA (SATA) interface that supports FIS data transfers. It supports ATA programmed input/output (PIO) modes 0 to 4; multiword DMA modes 0 to 2, and Ultra DMA modes 0 to 6.

For detailed information about the SATA interface, refer to the “Serial ATA: High Speed Serialized AT Attachment” specification.

### 5.1 Hot-Plug compatibility

Desktop HDD drives incorporate connectors which enable users to hot plug these drives in accordance with the SATA Revision 3.2 specification. This specification can be downloaded from [www.serialata.org](http://www.serialata.org).

### 5.2 SATA device plug connector pin definitions

**Table 10** summarizes the signals on the SATA interface and power connectors.

**Table 10** SATA connector pin definitions

Segment	Pin	Function	Definition
Signal	S1	Ground	2nd mate
	S2	A+	Differential signal pair A from Phy
	S3	A-	
	S4	Ground	2nd mate
	S5	B-	Differential signal pair B from Phy
	S6	B+	
	S7	Ground	2nd mate
<b>Key and spacing separate signal and power segments</b>			
Power	P1	V <sub>33</sub>	3.3V power
	P2	V <sub>33</sub>	3.3V power
	P3	V <sub>33</sub>	3.3V power, pre-charge, 2nd mate
	P4	Ground	1st mate
	P5	Ground	2nd mate
	P6	Ground	2nd mate
	P7	V <sub>5</sub>	5V power, pre-charge, 2nd mate
	P8	V <sub>5</sub>	5V power
	P9	V <sub>5</sub>	5V power
	P10	Ground	2nd mate
	P11	Ground or LED signal	If grounded, drive does not use deferred spin
	P12	Ground	1st mate.
	P13	V <sub>12</sub>	12V power, pre-charge, 2nd mate
	P14	V <sub>12</sub>	12V power
	P15	V <sub>12</sub>	12V power

#### Notes

- All pins are in a single row, with a 1.27 mm (0.050 in) pitch.
- The comments on the mating sequence apply to the case of backplane blindmate connector only. In this case, the mating sequences are:
  - the ground pins P4 and P12.
  - the pre-charge power pins and the other ground pins.
  - the signal pins and the rest of the power pins.
- There are three power pins for each voltage. One pin from each voltage is used for pre-charge when installed in a blind-mate backplane configuration.
  - All used voltage pins (V<sub>x</sub>) must be terminated.

### 5.3 Supported ATA commands

The following table lists SATA standard commands that the drive supports.

For a detailed description of the ATA commands, refer to the Serial ATA International Organization: Serial ATA Revision 3.0 (<http://www.sata-io.org>).

See “S.M.A.R.T. commands” on page 37 for details and subcommands used in the S.M.A.R.T. implementation.

**Table 11 SATA standard commands**

Command name	Command code (in hex)
Check Power Mode	E5 <sub>H</sub>
Device Configuration Freeze Lock	B1 <sub>H</sub> / C1 <sub>H</sub>
Device Configuration Identify	B1 <sub>H</sub> / C2 <sub>H</sub>
Device Configuration Restore	B1 <sub>H</sub> / C0 <sub>H</sub>
Device Configuration Set	B1 <sub>H</sub> / C3 <sub>H</sub>
Device Reset	08 <sub>H</sub>
Download Microcode	92 <sub>H</sub>
Execute Device Diagnostics	90 <sub>H</sub>
Flush Cache	E7 <sub>H</sub>
Flush Cache Extended	EA <sub>H</sub>
Format Track	50 <sub>H</sub>
Identify Device	EC <sub>H</sub>
Idle	E3 <sub>H</sub>
Idle Immediate	E1 <sub>H</sub>
Initialize Device Parameters	91 <sub>H</sub>
Read Buffer	E4 <sub>H</sub>
Read DMA	C8 <sub>H</sub>
Read DMA Extended	25 <sub>H</sub>
Read DMA Without Retries	C9 <sub>H</sub>
Read Log Ext	2F <sub>H</sub>
Read Multiple	C4 <sub>H</sub>
Read Multiple Extended	29 <sub>H</sub>
Read Native Max Address	F8 <sub>H</sub>
Read Native Max Address Extended	27 <sub>H</sub>
Read Sectors	20 <sub>H</sub>
Read Sectors Extended	24 <sub>H</sub>
Read Sectors Without Retries	21 <sub>H</sub>
Read Verify Sectors	40 <sub>H</sub>
Read Verify Sectors Extended	42 <sub>H</sub>
Read Verify Sectors Without Retries	41 <sub>H</sub>
Recalibrate	10 <sub>H</sub>
Security Disable Password	F6 <sub>H</sub>
Security Erase Prepare	F3 <sub>H</sub>
Security Erase Unit	F4 <sub>H</sub>

**Table 11 SATA standard commands (continued)**

Command name	Command code (in hex)	
Security Freeze	F5 <sub>H</sub>	
Security Set Password	F1 <sub>H</sub>	
Security Unlock	F2 <sub>H</sub>	
Seek	70 <sub>H</sub>	
Set Features	EF <sub>H</sub>	
Set Max Address	F9 <sub>H</sub>	
Note: Individual Set Max Address commands are identified by the value placed in the Set Max Features register as defined to the right.	Address: Password: Lock: Unlock: Freeze Lock:	00 <sub>H</sub> 01 <sub>H</sub> 02 <sub>H</sub> 03 <sub>H</sub> 04 <sub>H</sub>
Set Max Address Extended	37 <sub>H</sub>	
Set Multiple Mode	C6 <sub>H</sub>	
Sleep	E6 <sub>H</sub>	
S.M.A.R.T. Disable Operations	B0 <sub>H</sub> / D9 <sub>H</sub>	
S.M.A.R.T. Enable/Disable Autosave	B0 <sub>H</sub> / D2 <sub>H</sub>	
S.M.A.R.T. Enable Operations	B0 <sub>H</sub> / D8 <sub>H</sub>	
S.M.A.R.T. Execute Offline	B0 <sub>H</sub> / D4 <sub>H</sub>	
S.M.A.R.T. Read Attribute Thresholds	B0 <sub>H</sub> / D1 <sub>H</sub>	
S.M.A.R.T. Read Data	B0 <sub>H</sub> / D0 <sub>H</sub>	
S.M.A.R.T. Read Log Sector	B0 <sub>H</sub> / D5 <sub>H</sub>	
S.M.A.R.T. Return Status	B0 <sub>H</sub> / DA <sub>H</sub>	
S.M.A.R.T. Save Attribute Values	B0 <sub>H</sub> / D3 <sub>H</sub>	
S.M.A.R.T. Write Log Sector	B0 <sub>H</sub> / D6 <sub>H</sub>	
Standby	E2 <sub>H</sub>	
Standby Immediate	E0 <sub>H</sub>	
Write Buffer	E8 <sub>H</sub>	
Write DMA	CA <sub>H</sub>	
Write DMA Extended	35 <sub>H</sub>	
Write DMA FUA Extended	3D <sub>H</sub>	
Write DMA Without Retries	CB <sub>H</sub>	
Write Log Extended	3F <sub>H</sub>	
Write Multiple	C5 <sub>H</sub>	
Write Multiple Extended	39 <sub>H</sub>	
Write Multiple FUA Extended	CE <sub>H</sub>	
Write Sectors	30 <sub>H</sub>	
Write Sectors Without Retries	31 <sub>H</sub>	
Write Sectors Extended	34 <sub>H</sub>	
Write Uncorrectable	45 <sub>H</sub>	



### 5.3.1 Identify Device command

The Identify Device command (command code EC<sub>H</sub>) transfers information about the drive to the host following power up. The data is organized as a single 512-byte block of data, whose contents are shown in on page 30. All reserved bits or words should be set to zero. Parameters listed with an “x” are drive-specific or vary with the state of the drive.

The following commands contain drive-specific features that may not be included in the SATA specification.

**Table 12 Identify Device commands**

Word	Description	Value
0	Configuration information: <ul style="list-style-type: none"> <li>• Bit 15: 0 = ATA; 1 = ATAPI</li> <li>• Bit 7: removable media</li> <li>• Bit 6: removable controller</li> <li>• Bit 0: reserved</li> </ul>	0C5A <sub>H</sub>
1	Number of logical cylinders	16,383
2	ATA-reserved	0000 <sub>H</sub>
3	Number of logical heads	16
4	Retired	0000 <sub>H</sub>
5	Retired	0000 <sub>H</sub>
6	Number of logical sectors per logical track: 63	003F <sub>H</sub>
7–9	Retired	0000 <sub>H</sub>
10–19	Serial number: (20 ASCII characters, 0000 <sub>H</sub> = none)	ASCII
20	Retired	0000 <sub>H</sub>
21	Retired	0400 <sub>H</sub>
22	Obsolete	0000 <sub>H</sub>
23–26	Firmware revision (8 ASCII character string, padded with blanks to end of string)	x.xx
27–46	Drive model number: (40 ASCII characters, padded with blanks to end of string)	
47	(Bits 7–0) Maximum sectors per interrupt on Read multiple and Write multiple (16)	8010 <sub>H</sub>
48	Reserved	0000 <sub>H</sub>
49	Standard Standby timer, IORDY supported and may be disabled	2F00 <sub>H</sub>
50	ATA-reserved	0000 <sub>H</sub>
51	PIO data-transfer cycle timing mode	0200 <sub>H</sub>
52	Retired	0200 <sub>H</sub>
53	Words 54–58, 64–70 and 88 are valid	0007 <sub>H</sub>
54	Number of current logical cylinders	xxxx <sub>H</sub>
55	Number of current logical heads	xxxx <sub>H</sub>
56	Number of current logical sectors per logical track	xxxx <sub>H</sub>
57–58	Current capacity in sectors	xxxx <sub>H</sub>
59	Number of sectors transferred during a Read Multiple or Write Multiple command	xxxx <sub>H</sub>

**Table 12 Identify Device commands (continued)**

Word	Description	Value
60–61	Total number of user-addressable LBA sectors available (see Section 2.2 for related information) *Note: The maximum value allowed in this field is: 0FFFFFFh (268,435,455 sectors, 137GB). Drives with capacities over 137GB will have 0FFFFFFh in this field and the actual number of user-addressable LBAs specified in words 100–103. This is required for drives that support the 48-bit addressing feature.	0FFFFFFh*
62	Retired	0000 <sub>H</sub>
63	Multiword DMA active and modes supported (see note following this table)	xx07 <sub>H</sub>
64	Advanced PIO modes supported (modes 3 and 4 supported)	0003 <sub>H</sub>
65	Minimum multiword DMA transfer cycle time per word (120 nsec)	0078 <sub>H</sub>
66	Recommended multiword DMA transfer cycle time per word (120 nsec)	0078 <sub>H</sub>
67	Minimum PIO cycle time without IORDY flow control (240 nsec)	0078 <sub>H</sub>
68	Minimum PIO cycle time with IORDY flow control (120 nsec)	0078 <sub>H</sub>
69–74	ATA-reserved	0000 <sub>H</sub>
75	Queue depth	001F <sub>H</sub>
76	SATA capabilities	xxxx <sub>H</sub>
77	Reserved for future SATA definition	xxxx <sub>H</sub>
78	SATA features supported	xxxx <sub>H</sub>
79	SATA features enabled	xxxx <sub>H</sub>
80	Major version number	01F0 <sub>H</sub>
81	Minor version number	0028 <sub>H</sub>
82	Command sets supported	364B <sub>H</sub>
83	Command sets supported	7F09 <sub>H</sub>
84	Command sets support extension (see note following this table)	4163 <sub>H</sub>
85	Command sets enabled	30xx <sub>H</sub>
86	Command sets enabled	BE09 <sub>H</sub>
87	Command sets enable extension	4163 <sub>H</sub>
88	Ultra DMA support and current mode (see note following this table)	xx7F <sub>H</sub>
89	Security erase time	0039 <sub>H</sub>
90	Enhanced security erase time	0039 <sub>H</sub>
92	Master password revision code	FFFE <sub>H</sub>
93	Hardware reset value	xxxx <sub>H</sub>
94	Automatic acoustic management	8080 <sub>H</sub>
95–99	ATA-reserved	0000 <sub>H</sub>

**Table 12 Identify Device commands (continued)**

Word	Description	Value
100–103	Total number of user-addressable LBA sectors available (see Section 2.2 for related information). These words are required for drives that support the 48-bit addressing feature. Maximum value: 0000FFFFFFFFFh.	ST3000DM001 = 5,860,533,168 ST3000DM002 = 5,860,533,168 ST2000DM001 = 3,907,029,168 ST2000DM002 = 3,907,029,168 ST1000DM003 = 1,953,525,168 ST1000DM004 = 1,953,525,168 ST500DM002 = 976,773,168 ST320DM000 = 625,142,448 ST250DM000 = 488,397,168
104–107	ATA-reserved	0000 <sub>H</sub>
108–111	The mandatory value of the world wide name (WWN) for the drive. NOTE: This field is valid if word 84, bit 8 is set to 1 indicating 64-bit WWN support.	Each drive will have a unique value.
112–127	ATA-reserved	0000 <sub>H</sub>
128	Security status	0001 <sub>H</sub>
129–159	Seagate-reserved	xxxx <sub>H</sub>
160–254	ATA-reserved	0000 <sub>H</sub>
255	Integrity word	xxA5 <sub>H</sub>

<b>Note</b>	Advanced Power Management (APM) and Automatic Acoustic Management (AAM) features are not supported.
-------------	---

<b>Note</b>	See the bit descriptions below for words 63, 84, and 88 of the Identify Drive data.
-------------	---

Description (if bit is set to 1)		
	Bit	Word 63
	0	Multiword DMA mode 0 is supported.
	1	Multiword DMA mode 1 is supported.
	2	Multiword DMA mode 2 is supported.
	8	Multiword DMA mode 0 is currently active.
	9	Multiword DMA mode 1 is currently active.
	10	Multiword DMA mode 2 is currently active.
	Bit	Word 84
	0	SMART error login is supported.
	1	SMART self-test is supported.
	2	Media serial number is supported.
	3	Media Card Pass Through Command feature set is supported.
	4	Streaming feature set is supported.
	5	GPL feature set is supported.
	6	WRITE DMA FUA EXT and WRITE MULTIPLE FUA EXT commands are supported.

	7	WRITE DMA QUEUED FUA EXT command is supported.
	8	64-bit World Wide Name is supported.
	9-10	Obsolete.
	11-12	Reserved for TLC.
	13	IDLE IMMEDIATE command with IUNLOAD feature is supported.
	14	Shall be set to 1.
	15	Shall be cleared to 0.
	<b>Bit</b>	<b>Word 88</b>
	0	Ultra DMA mode 0 is supported.
	1	Ultra DMA mode 1 is supported.
	2	Ultra DMA mode 2 is supported.
	3	Ultra DMA mode 3 is supported.
	4	Ultra DMA mode 4 is supported.
	5	Ultra DMA mode 5 is supported.
	6	Ultra DMA mode 6 is supported.
	8	Ultra DMA mode 0 is currently active.
	9	Ultra DMA mode 1 is currently active.
	10	Ultra DMA mode 2 is currently active.
	11	Ultra DMA mode 3 is currently active.
	12	Ultra DMA mode 4 is currently active.
	13	Ultra DMA mode 5 is currently active.
	14	Ultra DMA mode 6 is currently active.

### 5.3.2 Set Features command

This command controls the implementation of various features that the drive supports. When the drive receives this command, it sets BSY, checks the contents of the Features register, clears BSY and generates an interrupt. If the value in the register does not represent a feature that the drive supports, the command is aborted. Power-on default has the read look-ahead and write caching features enabled. The acceptable values for the Features register are defined as follows:

**Table 13 Set Features command**

02 <sub>H</sub>	Enable write cache ( <i>default</i> ).
03 <sub>H</sub>	Set transfer mode (based on value in Sector Count register). Sector Count register values:
	00 <sub>H</sub> Set PIO mode to default (PIO mode 2).
	01 <sub>H</sub> Set PIO mode to default and disable IORDY (PIO mode 2).
	08 <sub>H</sub> PIO mode 0
	09 <sub>H</sub> PIO mode 1
	0A <sub>H</sub> PIO mode 2
	0B <sub>H</sub> PIO mode 3
	0C <sub>H</sub> PIO mode 4 ( <i>default</i> )
	20 <sub>H</sub> Multiword DMA mode 0
	21 <sub>H</sub> Multiword DMA mode 1
	22 <sub>H</sub> Multiword DMA mode 2
	40 <sub>H</sub> Ultra DMA mode 0
	41 <sub>H</sub> Ultra DMA mode 1
	42 <sub>H</sub> Ultra DMA mode 2
	43 <sub>H</sub> Ultra DMA mode 3
	44 <sub>H</sub> Ultra DMA mode 4
	45 <sub>H</sub> Ultra DMA mode 5
	46 <sub>H</sub> Ultra DMA mode 6
10 <sub>H</sub>	Enable use of SATA features
55 <sub>H</sub>	Disable read look-ahead (read cache) feature.
82 <sub>H</sub>	Disable write cache
90 <sub>H</sub>	Disable use of SATA features
AA <sub>H</sub>	Enable read look-ahead (read cache) feature ( <i>default</i> ).
F1 <sub>H</sub>	Report full capacity available

**Note**

At power-on, or after a hardware or software reset, the default values of the features are as indicated above.

### 5.3.3 S.M.A.R.T. commands

S.M.A.R.T. provides near-term failure prediction for disk drives. When S.M.A.R.T. is enabled, the drive monitors predetermined drive attributes that are susceptible to degradation over time. If self-monitoring determines that a failure is likely, S.M.A.R.T. makes a status report available to the host. Not all failures are predictable. S.M.A.R.T. predictability is limited to the attributes the drive can monitor. For more information on S.M.A.R.T. commands and implementation, see the *Draft ATA-5 Standard*.

SeaTools diagnostic software activates a built-in drive self-test (DST S.M.A.R.T. command for D4<sub>H</sub>) that eliminates unnecessary drive returns. The diagnostic software ships with all new drives and is also available at: <http://seatools.seagate.com>.

This drive is shipped with S.M.A.R.T. features disabled. Users must have a recent BIOS or software package that supports S.M.A.R.T. to enable this feature. The table below shows the S.M.A.R.T. command codes that the drive uses.

**Table 14 S.M.A.R.T. commands**

Code in features register	S.M.A.R.T. command
D0 <sub>H</sub>	S.M.A.R.T. Read Data
D2 <sub>H</sub>	S.M.A.R.T. Enable/Disable Attribute Autosave
D3 <sub>H</sub>	S.M.A.R.T. Save Attribute Values
D4 <sub>H</sub>	S.M.A.R.T. Execute Off-line Immediate (runs DST)
D5 <sub>H</sub>	S.M.A.R.T. Read Log Sector
D6 <sub>H</sub>	S.M.A.R.T. Write Log Sector
D8 <sub>H</sub>	S.M.A.R.T. Enable Operations
D9 <sub>H</sub>	S.M.A.R.T. Disable Operations
DA <sub>H</sub>	S.M.A.R.T. Return Status

<b>Note</b>	If an appropriate code is not written to the Features Register, the command is aborted and 0x04 (abort) is written to the Error register.
-------------	---



**Seagate Technology LLC**

*AMERICAS Seagate Technology LLC 10200 South De Anza Boulevard, Cupertino, California 95014, United States, 408-658-1000*

*ASIA/PACIFIC Seagate Singapore International Headquarters Pte. Ltd. 7000 Ang Mo Kio Avenue 5, Singapore 569877, 65-6485-3888*

*EUROPE, MIDDLE EAST AND AFRICA Seagate Technology SAS 16-18 rue du Dôme, 92100 Boulogne-Billancourt, France, 33 1-4186 10 00*

*Publication Number: 100686584, Rev. V  
September 2016*