

Always here to help you

Register your product and get support at
www.philips.com/welcome

HD7753

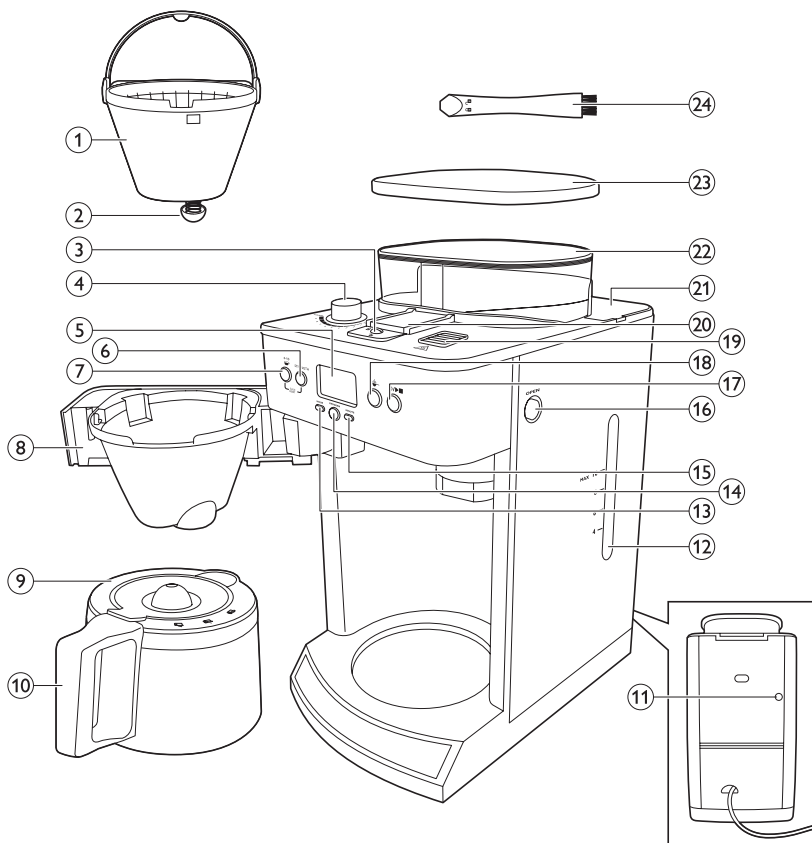


EN	User manual	5
DA	Brugervejledning	13
DE	Benutzerhandbuch	21
EL	Εγχειρίδιο χρήσης	30
ES	Manual del usuario	40
FI	Käyttöopas	49
FR	Mode d'emploi	57

IT	Manuale utente	66
NL	Gebruiksaanwijzing	75
NO	Brukerhåndbok	84
PT	Manual do utilizador	92
SV	Användarhandbok	101
TR	Kullanım kılavuzu	109

PHILIPS





1 Introduction

Congratulations on your purchase and welcome to Philips! To fully benefit from the support that Philips offers, register your product at www.philips.com/welcome.

2 General description (Fig. 1)

- 1 Filter basket
- 2 Drip stop
- 3 Lock of coffee bean chute
- 4 Grind selection knob
- 5 Display
- 6 STRENGTH button
- 7 4-10 cups button
- 8 Filter basket holder
- 9 Insulated jug lid
- 10 Insulated jug
- 11 Overflow hole
- 12 Water reservoir with water level window
- 13 HOUR button
- 14 PROGRAM button
- 15 MINUTE button
- 16 OPEN button for filter basket holder
- 17 On/off, start/standby button
- 18 Pre-ground coffee button
- 19 Steam vent
- 20 Lid of coffee bean chute
- 21 Water reservoir lid
- 22 Coffee bean container
- 23 Coffee bean container lid
- 24 Cleaning brush

3 Important

Read this user manual carefully before you use the appliance and save it for future reference.

3.1 Danger

- Never immerse the appliance in water or any other liquid, nor rinse it under the tap.

3.2 Warning

- Check if the voltage indicated on the bottom of the appliance corresponds to the local mains voltage before you connect the appliance.
- If the mains cord is damaged, you must have it replaced by Philips, a service centre authorised by Philips or similarly qualified persons in order to avoid a hazard.
- This appliance can be used by children aged from 8 years and above and persons with reduced physical, sensory or mental capabilities or lack of experience and knowledge if they have been given supervision or instruction concerning use of the appliance in a safe way and understand the hazards involved. Children shall not play with the appliance. Cleaning and user maintenance shall not be made by children without supervision.
- Children shall not play with the appliance.
- Keep the mains cord out of the reach of children. Do not let the mains cord hang over the edge of the table or worktop on which the appliance stands.

- Do not touch the grinding burrs of the appliance, especially when the appliance is connected to the mains.
- Keep the packaging materials (plastic bags, cardboard buffers, etc.) out of the reach of children, as they are not a toy.
- Do not touch the hot surfaces of the appliance when it operates.
- This appliance is designed to grind beans and make coffee. Use it correctly and with care to avoid scalding by hot water and steam.
- Do not use the appliance if the plug, the mains cord or the appliance itself is damaged.
- If a problem occurs that you cannot solve by means of this user manual, contact the Consumer Care Centre in your country. If the problem cannot be solved, take the appliance to a service centre authorised by Philips for examination or repair. Do not attempt to repair the appliance yourself, otherwise your guarantee becomes invalid.
- Wait until the appliance has cooled down before you store it. The appliance may be hot.
- Do not disassemble the insulated jug.
- Never immerse the insulated jug in water or any other liquid, as this could cause water to enter between the walls of the jug.
- The insulated jug is not dishwasher-proof.
- When the insulated jug is filled with coffee, keep it in upright position to prevent leakage.
- During brewing, the lower part of the appliance and the bottom of the insulated jug become hot.
- After you have unpacked the appliance, make sure it is complete and undamaged. If in doubt, do not use the appliance but contact the Consumer Care Centre in your country.
- This appliance is intended for normal household use only. It is not intended for use in environments such as staff kitchens of shops, offices, farms or other work environments. Nor is it intended to be used by clients in hotels, motels, bed and breakfasts and other residential environments.

3.3 Caution


- Do not place the appliance on a hot surface and prevent the mains cord from coming into contact with hot surfaces.
- Unplug the appliance if problems occur during grinding or brewing and before you clean it.
- Do not move the appliance while it is operating.

3.4 Electromagnetic fields (EMF)

This Philips appliance complies with all standards regarding electromagnetic fields (EMF). If handled properly and according to the instructions in this user manual, the appliance is safe to use based on scientific evidence available today.


4 Before first use

4.1 Setting the clock

- 1 Put the mains plug in the wall socket.
 - *The start/standby button lights up.*
 - 2 Press the start/standby button (Fig. 2).
 - *The display lights up and the appliance beeps twice.*
-  **Note:**
If you do not press any button within 5 minutes, the appliance goes into standby mode. In this case, the display goes out and only the start/standby button stays on to indicate that the appliance is still switched on. In standby mode, you can press any button to reactivate the appliance.
- *On the display 12:00 flashes to indicate that you have to set the clock time. (Fig. 3)*
- 3 Press the HOUR button repeatedly to set the hour (Fig. 4).
 - *The appliance beeps each time you press the button.*
 - 4 Press the MINUTE button repeatedly to set the minutes. (Fig. 5)
 - *The appliance beeps each time you press the button.*
 - 5 The display shows the set clock time. The coffeemaker is ready for use.

4.2 Flushing the appliance

You need to flush the coffeemaker once before first use.

- 1 Open the water reservoir lid. Fill the water reservoir with fresh cold water **up to the 10-cup indication.** (Fig. 6)
-  **Note:**
Do not put coffee beans or ground coffee in the appliance.
- 2 Close the water reservoir lid.
 - 3 Put the insulated jug in the appliance (Fig. 7).

 **Note:**

Make sure the jug lid is on the jug and the arrow on the lid points to the 'closed/brewing' symbol (see chapter 'Using the appliance', section 'Using coffee beans'). Also make sure the jug is placed properly in the appliance. Its spout has to face forward into the appliance. If the lid is not on the jug or the jug is not placed properly in the appliance, the drip stop function is activated automatically (see chapter 'Using the appliance', section 'Drip stop function').

- 4 Press the start/standby button (Fig. 2).
 - *The appliance beeps and the display lights up.*
- 5 Press the pre-ground coffee button to switch off the grinder (Fig. 8).
 - *The pre-ground coffee button lights up.*

 **Note:**

When you switch off the grinder, the number of cups and the strength setting are not shown on the display.

- 6 Press the start/standby button to start the brewing process (Fig. 9).
 - *The freshness indicator flashes rapidly on the display until the brewing process is finished.*
 - *The coffeemaker produces 5 beeps when the brewing process is finished.*
- 7 Empty the jug.

5 Using the appliance

5.1 Filling the water reservoir

- 1 Open the water reservoir lid and fill the water reservoir with the required amount of cold water. (Fig. 6)
There are indications for 4 to 10 cups (550ml to 1375ml) on the water level window. You can use these indications to determine how much water to put in the water reservoir. Keep in mind that the amount of brewed coffee will be slightly less, since ground coffee absorbs water.

 **Note: (Fig. 10)**

Do not fill the water reservoir beyond the 10-cup indication, otherwise water spills from the opening at the back.

5.2 Using coffee beans

 **Warning:**

Do not put espresso coffee beans in the coffee bean container. Only use regular coffee beans.

 **Warning:**

Always keep the water reservoir lid closed when you fill the coffee bean container with coffee beans. Otherwise coffee beans can fall into the water reservoir and block up the water inlet.

- 1 Press the OPEN button on the right-hand side of the coffeemaker to open the filter basket holder. (Fig. 11)
- 2 Place a paper filter (no. 4) in the filter basket to collect the ground coffee. (Fig. 12)
- 3 Close the filter basket holder.
- 4 Turn the lid of the jug by its lever to 'closed/brewing' position. In this position the arrowhead on the lid points to the 'closed/brewing' symbol on the rim (Fig. 13).
- 5 Put the jug in the appliance.

 **Tip:**

To keep the coffee hot longer, rinse the jug with hot water to preheat it before you start brewing coffee.

- 6 Remove the coffee bean container lid (1) and fill the container with coffee beans (2). Make sure there are enough coffee beans in the container for the amount of coffee you want to brew (Fig. 14).

 **Note:**

Always make sure the bean container is at least half full.

 **Warning:**

The maximum capacity of the coffee bean container is 250g. To prevent the grinder from jamming, do not exceed this amount.

 **Warning:**

To prevent the grinder from jamming, do not use unroasted or caramelised beans.

- 7 Turn the grind selection knob to select the desired type of grind (from fine to coarse). There are nine grind settings (Fig. 15).

 **Tip:**

We advise you to experiment with the different grind settings to find out which setting you prefer.

- 8 To select the number of cups, press the 4-10 cups button as many times as the desired number of cups (Fig. 16).
 - When you press the 4-10 cups button, it lights up briefly and the appliance beeps.
 - The selected number of cups appears on the display.

 **Note:**

Make sure that the number of cups you select with the 4-10 cups button is consistent with the amount of water in the water reservoir. Please keep in mind that the coffeemaker uses all the water in the water reservoir. If you select a number of cups that is smaller than the amount of water, the coffee becomes weaker than you intended.

- 9 Press the STRENGTH button once or several times until the desired coffee strength is selected (mild, medium or strong) (Fig. 17).
 - When you press the STRENGTH button, it lights up briefly and the appliance beeps.
 - The display shows the selected coffee strength.
- 10 Press the start/standby button (Fig. 18).
 - The appliance beeps and the display lights up.
- 11 Press the start/standby button again to start the brewing process (Fig. 19).

 **Warning:**

Keep away from the steam vent during brewing, as hot steam escapes through the vent.

- *The grinder grinds the required amount of coffee beans.*
- *The freshness indicator flashes rapidly on the display until the brewing process is finished.*
- *The coffeemaker beeps 5 times when the brewing process is finished.*

12 Wait until the coffeemaker has stopped beeping before you remove the jug.

 **Note:**

After brewing, coffee drips from the filter basket for several seconds.

- *The freshness indicator flashes slowly on the display for 30 minutes after brewing, to indicate that the coffee is fresh. (Fig. 20)*

13 To pour out coffee, turn the lid to the 'pour' position. In this position, the arrowhead on the lid points to the 'pour' symbol on the rim (Fig. 21).

 **Note:**

To keep the coffee hot, always close the lid after pouring out.

5.3 Using pre-ground coffee

If you want to use pre-ground coffee instead of coffee beans, follow the steps below.

- 1** Follow steps 1 and 2 in section 'Using coffee beans'.
- 2** Put pre-ground coffee in the paper filter.

 **Note:**

How much pre-ground coffee you use is a matter of personal taste. For a medium-strong cup of coffee, use one measuring spoon (approximately 6g) for each cup (125ml).

- 3** Close the filter basket holder.
- 4** Turn the lid of the jug by its lever to the 'closed/brewing' symbol on the lid. Put the jug in the appliance.
- 5** Press the start/standby button.
 - *The appliance beeps and the display lights up.*
- 6** Press the pre-ground coffee button to switch off the grinder (Fig. 8).
 - *The button lights up when you press it.*

 **Note:**

When you switch off the grinder, the number of cups and the strength setting are not shown on the display.

- 7** Follow steps 11 to 13 in section 'Using coffee beans'.

5.4 Setting the timer

The timer enables you to program the time for starting the coffee-making process.

- 1** Keep the PROGRAM button pressed until the program button starts flashing and 0:00 appears on the display (Fig. 22).
- 2** Press the HOUR button repeatedly to set the hour. (Fig. 23)
 - *The appliance beeps each time you press the button.*
- 3** Press the MINUTE button repeatedly to set the minutes. (Fig. 24)
 - *The appliance beeps each time you press the button.*
 - *The display shows the set timer time.*
- 4** Select the number of cups you want to brew. (Fig. 25)
- 5** Select the desired coffee strength (mild, medium or strong). (Fig. 26)
- 6** Press the PROGRAM button to save the settings. (Fig. 27)
 - *The PROGRAM button lights up continuously.*
 - *The clock time appears on the display.*
- 7** To interrupt the process, press the PROGRAM button again.
 - *The PROGRAM button light goes out.*

 **Note:**

If you want to change the set timer time, press the PROGRAM button. The PROGRAM button indicator starts flashing again. Now you can set the new timer time by pressing the HOUR and MINUTE buttons.

 **Note:**

If you want to brew coffee with ground coffee, press the pre-ground coffee button to switch off the grinder before you select the number of cups.

5.5 Drip stop function

The drip stop function enables you to remove the jug from the coffeemaker before the brewing process is finished. When you remove the jug, the drip stop stops the flow of coffee into the jug.

Note:

The brewing process does not stop when you remove the jug. If you do not put the jug back in the appliance within 20 seconds, the filter basket overflows.

6 Cleaning and maintenance

6.1 Cleaning after every use

Warning:

Never immerse the appliance in water or any other liquid, nor rinse it under the tap.

- 1 Remove the mains plug from the wall socket.
- 2 Wipe the outside of the coffeemaker with a damp cloth.
- 3 Clean the filter basket with hot water and some washing-up liquid.

6.2 Cleaning the coffee bean chute

You have to clean the coffee bean chute every 1 to 2 weeks, depending on the frequency of use.

- 1 Put the mains plug in the wall socket.
- 2 Press the start/standby button (Fig. 2).
 - *The display lights up.*
- 3 Press the start/standby button and then remove the mains plug from the wall socket.
- 4 Insert the flat end of the cleaning brush handle into the lock of the coffee bean chute and turn the lock to the 'open' position. (Fig. 28)
- 5 Open the lid of the coffee bean chute (Fig. 29).

- 6 Use the cleaning brush to brush ground coffee residues into the lower part of the chute (Fig. 30).

Tip:

Place a paper filter in the filter basket to collect the ground coffee.

- *The ground coffee residues fall into the filter basket.*

- 7 Close the lid of the coffee bean chute and turn the lock to the 'locked' position (Fig. 31).

- 8 Remove the paper filter with the ground coffee residues and throw it away.
-

6.3 Cleaning the insulated jug

Warning:

Do not immerse the insulated jug in water or any other liquid and do not clean it in the dishwasher.

- To remove the lid from the jug, turn it by its lever to the 'remove lid' symbol. Then pull the lid off the jug (Fig. 32).
- Clean the inside of the jug with a soft brush, hot water and some washing-up liquid (Fig. 33).

Tip:

To remove stubborn brown deposits, fill the jug with hot water and add a spoonful of sodium carbonate. Let the sodium carbonate do its work for some time.

- After cleaning, rinse the jug with fresh hot water (Fig. 34).
- To put the lid on the jug, insert the two projections of the lid into the openings in the rim of the jug. Then turn the lid to the right to the 'closed/brewing' symbol. (Fig. 35)

6.4 Descaling the coffeemaker

When the message 'CALC' appears on the display (after approx. 60 brewing processes), you need to descale the coffeemaker, as scale can clog the coffeemaker.

Regular descaling prolongs the life of the coffeemaker and guarantees optimal brewing results and a constant brewing time for a long time. Descale the coffeemaker:

- every 120 brewing cycles if you use soft water (up to 18dH).
- every 60 brewing cycles if you use hard water (over 18dH).

You can contact your local water board for information about the water hardness in your area.

Note:

If you do not know the water hardness in your area and are unable to contact your local water board, we advise you to descale the appliance every time the 'CALC' message appears on the display.

Note:

To remove the 'CALC' message from the display, press the 4-10 cups button and the STRENGTH button simultaneously.

- 1 Open the water reservoir lid.
- 2 Fill the water reservoir with 7 cups of white vinegar (5% acetic acid) and 3 cups of water (Fig. 36).
- 3 Place a paper filter (no. 4) in the filter basket and close the filter basket holder.
- 4 Put the empty jug in the appliance (Fig. 7).
- 5 Put the mains plug in the wall socket.
- 6 Press the start/standby button (Fig. 2).
- 7 Press the pre-ground coffee button to switch off the grinder. Then press the start/standby button to start the brewing process. (Fig. 8)
- 8 Wait until half of the vinegar-water solution has flowed into the jug. Then press the start/standby button to stop the brewing process and let the solution act for at least 15 minutes.

- 9 Press the start/standby button to switch the coffeemaker back on and let the appliance complete the brewing process.
- 10 Empty the jug and throw away the paper filter.
- 11 Fill the water reservoir with cold water and press the start/standby button to start another brewing process. Let the coffeemaker complete the entire brewing process and empty the jug.
- 12 Repeat step 12 until the water no longer tastes or smells like vinegar.
- 13 Clean the filter basket and the jug with hot water and some washing-up liquid.

7 Ordering accessories

To buy accessories or spare parts, visit www.shop.philips.com/service or go to your Philips dealer. You can also contact the Philips Consumer Care Centre in your country (see the worldwide guarantee leaflet for contact details).

8 Environment

- Do not throw away the appliance with the normal household waste at the end of its life, but hand it in at an official collection point for recycling. By doing this, you help to preserve the environment (Fig. 37).

9 Guarantee and support

If you need information or support, please visit www.philips.com/support or read the separate worldwide guarantee leaflet.

10 Troubleshooting

This chapter summarises the most common problems you could encounter with the appliance. If you are unable to solve the problem with the information below, visit www.philips.com/support for a list of frequently asked questions or contact the Consumer Care Centre in your country.

The appliance does not work.

- Make sure that the voltage indicated on the appliance corresponds to the local mains voltage.
- Fill the water reservoir with water.

When I use the grinder, the coffee is too weak.

- Make sure the number of cups you select with the 4-10 cups button is consistent with the amount of water in the water reservoir. Please keep in mind that the coffeemaker uses all the water in the water reservoir.
- Use the STRENGTH button to set the coffee strength to 'strong'.
- When you use coffee beans, make sure you do not press the pre-ground coffee button, as this switches off the grinder.
- Use coffee beans of a stronger blend or flavour.
- To increase the coffee strength, select a higher number of cups with the 4-10 cups button than the number of cups for which you filled the water reservoir.

When I use pre-ground coffee, the coffee is too weak.

- Make sure the amount of pre-ground coffee in the filter is consistent with the amount of water in the water reservoir. Please keep in mind that the appliance uses all the water in the water reservoir.
- Use ground coffee of a stronger blend or flavour.
- To increase the coffee strength, increase the amount of pre-ground coffee or decrease the amount of water.

The filter overflows when I remove the jug from the appliance while it is brewing coffee.

- If you remove the jug for more than 20 seconds during the brewing process, the drip stop causes the filter basket to overflow. Also note that the coffee does not reach its full taste before the end of the brewing process. Therefore we advise you not to remove the jug and pour out the coffee before the end of the brewing process.

The appliance continues to drip long after the brewing process has ended.

- The dripping is caused by condensation of steam. It is completely normal that the appliance drips for some time.
- If the dripping does not stop, the drip stop may be clogged. To clean the drip stop, press the OPEN button on the right-hand side of the appliance to open the filter basket holder. Take out the filter basket. Then rinse the filter basket and the drip stop under the tap.
- If you remove the jug for more than 20 seconds during the brewing process, the drip stop causes the filter basket to overflow.

The coffee is not hot enough.

- Preheat the jug with hot water before you start brewing coffee.
- The coffee in the jug cools down faster if you brew only a few cups. The coffee stays hot longer if you brew 10 cups, which is a full jug.
- Use thin-walled cups, because they absorb less heat from the coffee than thick-walled cups.
- Do not use milk that comes directly out of the fridge.
- Descale the appliance. See section 'Descaling' in chapter 'Cleaning and maintenance'.

1 Introduktion

Tillykke med dit køb og velkommen til Philips!
For at få fuldt udbytte af den support, Philips tilbyder, skal du registrere dit produkt på www.philips.com/welcome.

2 Generel beskrivelse (fig. 1)

- 1 Filterkurv
- 2 Drypstop-funktion
- 3 Lås til kaffebønneslike
- 4 Vælgerknap til maling
- 5 Display
- 6 Knappen STRENGTH (styrke)
- 7 Knap til 4-10 kopper
- 8 Holder til filterkurv
- 9 Termokandelåg
- 10 Termokande
- 11 Overløbshul
- 12 Vandtank med vandstandsrudd
- 13 HOUR-knap
- 14 PROGRAM-knap
- 15 MINUTE-knap
- 16 Knappen OPEN (åbn) til filterkurvens holder
- 17 Tænd/sluk, start/standby-knap
- 18 Knap til formaling af kaffe
- 19 Dampventil
- 20 Låg til kaffebønneslike
- 21 Låg til vandtank
- 22 Beholder til kaffebønner
- 23 Låg til kaffebønnebeholder
- 24 Rensebørste

3 Vigtigt

Læs denne brugsvejledning omhyggeligt igennem, inden apparatet tages i brug, og gem den til eventuelt senere brug.

3.1 Fare

- Apparatet må aldrig kommes ned i vand eller andre væsker eller skylles under vandhanen.

3.2 Advarsel

- Kontrollér, om spændingsangivelsen i bunden af apparatet svarer til den lokale netspænding, før du slutter strøm til apparatet.
- Hvis netledningen beskadiges, må den kun udskiftes af Philips, et autoriseret Philips-serviceværksted eller en tilsvarende kvalificeret fagmand for at undgå enhver risiko.
- Dette apparat kan bruges af børn fra 8 år og op og personer med reducerede fysiske, sensoriske eller mentale evner eller manglende viden eller erfaring, hvis de er blevet vejledt eller instrueret i brug af apparatet på en sikker måde og forstår de involverede risici. Børn må ikke lege med apparatet. Rengøring og brugervedligeholdelse må ikke foretages af børn uden opsyn.
- Lad ikke børn lege med apparatet.
- Hold netledningen uden for børns rækkevidde. Lad aldrig netledningen hænge ud over kanten af (køkken)bordet, hvor apparatet er placeret.
- Undgå at røre ved slusksiverne til formaling på apparatet, især når apparatet er tilsluttet en stikkontakt.
- Hold emballagen (plastikposer, pap, karton osv.) uden for børns rækkevidde. Det er ikke legetøj.

- Rør aldrig ved apparatets varme dele under betjening.
- Dette apparat er designet til at male bønner og lave kaffe. Brug det korrekt og med omhu for at undgå skoldning fra varmt vand og damp.
- Brug aldrig apparatet, hvis netstik, netledning eller selve apparatet er beskadiget.
- Hvis der opstår problemer, du ikke kan løse ved hjælp af brugsvejledningen, bedes du kontakte det lokale Philips Kundecenter. Hvis ikke problemet kan løses, skal du medbringe apparatet til et autoriseret Philips-serviceværksted, så de kan undersøge eller reparere det. Forsøg aldrig selv at reparere apparatet, da reklamerationsretten i så fald bortfalder.
- Kom aldrig termokanden i vand eller andre væsker, da der kan trænge vand ind i mellem kandens vægge.
- Termokanden må ikke kommes i opvaskemaskinen.
- Når der er kaffe i termokanden, skal den stå oprejst for at undgå lækage.
- Den nederste del af maskinen og termokandens bund bliver varm under kaffe brygningen.
- Efter udpakningen af apparatet skal du kontrollere, at det er helt og ubeskadiget. Anvend ikke apparatet, hvis du er i tvivl. Du bedes i stedet kontakte det lokale Philips Kundecenter.
- Dette apparat er kun beregnet til normal anvendelse i hjemmet. Det er ikke beregnet til brug i miljøer som personalekøkkener i butikker, på kontorer, på gårde eller andre arbejdspladser. Det er heller ikke beregnet til brug af gæster på hoteller, moteller, på bed and breakfasts eller i andre værelser til udlejning.

3.3 Forsigtig


- Stil aldrig apparatet på et varmt underlag, og sørg for, at netledningen ikke kommer i berøring med varme flader.
- Tag stikket ud af stikkontakten, hvis der opstår problemer under formaling eller brygning samt før rengøring af apparatet.
- Flyt ikke apparatet under brug.
- Vent, indtil apparatet er kølet af, før du stiller det væk. Apparatet kan være varmt.
- Termokanden må ikke skilles ad.

3.4 Elektromagnetiske felter (EMF)

Dette Philips-apparat overholder alle standarder for elektromagnetiske felter (EMF). Ved korrekt anvendelse i overensstemmelse med instruktionerne i denne brugervejledning er apparatet sikkert at anvende ifølge den videnskabelige viden, der er tilgængelig i dag.

4 Før apparatet tages i brug

4.1 Indstilling af uret

- 1 Sæt stikket i en stikkontakt.
 - *Start/standby-knappen lyser.*
 - 2 Tryk på start/standby-knappen (fig. 2).
 - *Displayet lyser, og apparatet bipper to gange.*
-  **Bemærk:**
Hvis du ikke trykker på en knap i 5 minutter, skifter apparatet til standby. Hvis det sker, slukkes displayet, og det er kun start/standby-knappen, der lyser for at angive, at apparatet stadigvæk er tændt. I standbytilstand kan du trykke på en hvilken som helst knap for at aktivere apparatet igen.
- *På displayet blinker 12:00 for at angive, at du skal indstille klokkeslættet. (fig. 3)*
- 3 Tryk på HOUR-knappen gentagne gange for at indstille timetallet (fig. 4).
 - *Apparatet bipper, hver gang du trykker på knappen.*
 - 4 Tryk på MINUTE-knappen gentagne gange for at indstille minuttallet. (fig. 5)
 - *Apparatet bipper, hver gang du trykker på knappen.*
 - 5 Displayet viser klokkeslættet. Kaffemaskinen er klar til brug.

4.2 Gennemskylning

Du skal gennemskylle kaffemaskinen før første brug.

- 1 Åbn låget til vandtanken. Fyld vandtanken med friskt, koldt vand **op til markering for 10 kopper.** (fig. 6)

 **Bemærk:**

Put ikke kaffebønner eller malet kaffe i apparatet.

- 2 Luk låget til vandtanken.
- 3 Sæt termokanden i apparatet (fig. 7).

 **Bemærk:**

Sørg for, at låget sidder på kanden, og at pilen på låget peger mod "lukket/brygge"-symbolet (se kapitlet "Sådan bruges apparatet", afsnittet "Brug af kaffebønner"). Sørg også for, at kanden står rigtigt i apparatet. Tuden skal pege fremad ind i apparatet. Hvis låget ikke sidder på kanden, eller kanden ikke står rigtigt i apparatet, aktiveres drypstop-funktionen automatisk (se kapitlet "Sådan bruges apparatet", afsnittet "Drypstop-funktion").

- 4 Tryk på start/standby-knappen (fig. 2).
 - *Apparatet bipper, og displayet lyser.*
- 5 Tryk på knappen til formaling af kaffe for at slukke for kværnen (fig. 8).
 - *Knappen til formaling af kaffe lyser.*

 **Bemærk:**

Når du slukker for kværnen, vises antallet af kopper og styrkeindstillingen ikke på displayet.

- 6 Tryk på start/standby-knappen for at starte brygningen (fig. 9).
 - *Friskhedsindikatoren blinker hurtigt på displayet, indtil brygningen er færdig.*
 - *Kaffemaskinen frembringer 5 bip, når brygningen er færdig.*
- 7 Tøm kanden.

5 Sådan bruges apparatet

5.1 Påfyldning af vandtanken

- 1 Åbn låget til vandtanken, og fyld vandtanken med den påkrævede mængde koldt vand. (fig. 6)
Der er markeringer for 4 til 10 kopper (550 ml til 1375 ml) på vandstandsrudden. Du kan bruge disse markeringer til at bestemme, hvor meget vand du vil putte i vandtanken. Husk på, at mængden af brygget kaffe vil være en smule mindre, da malet kaffe opsuger vand.

 **Bemærk: (fig. 10)**

Fyld ikke vandtanken til over markeringen for 10 kopper, da vandet ellers vil løbe ud af åbningen bagpå.

5.2 Brug af kaffebønner

Advarsel:

Put ikke espressokaffebønner i beholderen til kaffebønner. Brug kun almindelige kaffebønner.

Advarsel:

Hold altid låget til vandtanken lukket, når du fylder beholderen til kaffebønner med kaffebønner. Ellers kan kaffebønnerne falde ned i vandtanken og blokere for vandindtaget.

- 1 Tryk på knappen OPEN på højre side af kaffemaskinen for at åbne holderen til filterkurven. (fig. 11)
- 2 Placer et papirfilter (nr. 4) i filterkurven for at opsamle den malede kaffe. (fig. 12)
- 3 Luk holderen til filterkurven.
- 4 Drej kandens låg vha. grebet hen til positionen "lukket/brygge". I denne position peger pilen på låget hen mod "lukket/brygge"-symbolet på kanten (fig. 13).
- 5 Sæt kanden i apparatet.

Tip:

Du kan holde kaffen varm i længere tid ved at skylle kanden med varmt vand for at forvarme den, før du begynder at brygge kaffe.

- 6 Fjern låget til kaffebønnebeholderen (1), og fyld beholderen med kaffebønner (2). Sørg for, at der er nok kaffebønner i beholderen til den mængde kaffe, du vil brygge (fig. 14).

Bemærk:

Sørg altid for, at bønnebeholderen er mindst halvt fuld.

Advarsel:

Den maksimale kapacitet for kaffebønnebeholderen er 250 g. For at forhindre, at kaffebønnebeholderen sætter sig fast, bør du ikke overskride denne mængde.

Advarsel:

Brug ikke uristede eller karamelliserede bønner, det forhindrer, at kværnen låser sig fast.

- 7 Drej vælgerknappen til maling for at vælge den ønskede type maling (fra fin til grov). Der er ni malingsindstillinger (fig. 15).

Tip:

Vi anbefaler, at du eksperimenterer med de forskellige malingsindstillinger for at finde ud af, hvilken indstilling du foretrækker.

- 8 Du vælger antallet af kopper ved at trykke på knappen til 4-10 kopper, så mange gange som det ønskede antal kopper (fig. 16).
 - *Når du trykker på knappen til 4-10 kopper, lyser den kortvarigt, og apparatet bipper.*
 - *Det valgte antal kopper vises på skærmen.*

Bemærk:

Sørg for, at det antal kopper, du vælger med knappen til 4-10 kopper, passer med mængden af vand i vandtanken. Husk på, at kaffemaskinen bruger alt vandet i vandtanken. Hvis du vælger et antal kopper, der er mindre end mængden af vand, bliver kaffen tyndere end beregnet.

- 9 Tryk på knappen STRENGTH en eller flere gange, indtil den ønskede kaffestyrke er valgt (mild, medium eller strong (stærk)) (fig. 17).
 - *Når du trykker på knappen STRENGTH, lyser den kortvarigt, og apparatet bipper.*
 - *Displayet viser den valgte kaffestyrke.*
- 10 Tryk på start/standby-knappen (fig. 18).
 - *Apparatet bipper, og displayet lyser.*
- 11 Tryk på start/standby-knappen igen for at starte brygningen (fig. 19).

Advarsel:

Hold afstand til dampventilen under brygning, der kommer varm damp ud af ventilen.

- *Kværnen malar den påkrævede mængde kaffebønner.*
 - *Friskhedsindikatoren blinker hurtigt på displayet, indtil brygningen er færdig.*
 - *Kaffemaskinen bipper 5 gange, når brygningen er færdig.*
- 12 Vent, indtil kaffemaskinen er stoppet med at bippe, inden du fjerner kanden.

Bemærk:

Efter brygningen drypper der kaffe fra filterkurven i flere sekunder.

- *Friskhedsindikatoren blinker langsomt på displayet i 30 minutter efter brygningen på at indikere, at kaffen er frisk. (fig. 20)*

- 13** Når du vil hælde kaffe fra kanden, skal du dreje låget til hældepositionen. I denne position peger pilen på låget mod "hælde"-symbolet på kanten (fig. 21).

Bemærk:

Luk altid låget igen, så kaffen holdes varm.

5.3 Brug af formalet kaffe

Hvis du vil bruge formalet kaffe i stedet for kaffebønner, skal du følge nedenstående trin.

- 1** Følg trin 1 og 2 i afsnittet "Brug af kaffebønner".
- 2** Put formalet kaffe i papirfiltret.

Bemærk:

Den mængde formalet kaffe, der skal bruges, afhænger af personlig smag. Ønsker du en kop kaffe af mediumstyrke, skal du bruge én måleske (ca. 6 g) for hver kop (125 ml).

- 3** Luk holderen til filterkurven.
- 4** Drej kandens låg vha. grebet hen til "lukket/brygge"-symbolet på låget. Sæt kanden i apparatet.
- 5** Tryk på start/standby-knappen.
- *Apparatet bipper, og displayet lyser.*
- 6** Tryk på knappen til formaling af kaffe for at slukke for kværnen (fig. 8).
- *Knappen lyser op, når du trykker på den.*

Bemærk:

Når du slukker for kværnen, vises antallet af kopper og styrkeindstillingen ikke på displayet.

- 7** Følg trin 11 til 13 i afsnittet "Brug af kaffebønner".

5.4 Indstilling af timeren

Timeren gør det muligt at programmere starttidspunktet for kaffebrygningen.

- 1** Hold PROGRAM-knappen nede, indtil programknappen begynder at blinke, og 0:00 vises på displayet (fig. 22).
- 2** Tryk på HOUR-knappen gentagne gange for at indstille timetallet. (fig. 23)
- *Apparatet bipper, hver gang du trykker på knappen.*
- 3** Tryk på MINUTE-knappen gentagne gange for at indstille minuttallet. (fig. 24)
- *Apparatet bipper, hver gang du trykker på knappen.*
 - *Displayet viser klokkeslættet.*
- 4** Vælg det antal kopper, du ønsker at brygge. (fig. 25)
- 5** Vælg denne ønskede kaffestyrke (mild, medium eller stærk). (fig. 26)
- 6** Tryk på PROGRAM-knappen for at gemme indstillingerne. (fig. 27)
- *PROGRAM-knappen lyser konstant.*
 - *Klokkeslættet vises på displayet.*
- 7** Tryk på PROGRAM-knappen igen for at afbryde processen.
- *Lyset i PROGRAM-knappen slukker.*

Bemærk:

Hvis du vil ændre klokkeslættet, skal du trykke på PROGRAM-tasten. Indikatoren for PROGRAM-tasten begynder at blinke igen. Nu kan du indstille et nyt klokkeslæt ved at trykke på knapperne HOUR og MINUTE.

Bemærk:

Hvis du vil brygge kaffe med formalede kaffebønner, skal du trykke på knappen til formaling af kaffe for at slukke for kværnen, før du vælger antallet af kopper.

5.5 Drypstop-funktion

Drypstop-funktionen gør det muligt at fjerne kanden fra kaffemaskinen, inden bryggeprocessen er færdig. Når du fjerner kanden, stopper drypstop-funktionen kaffens løb ned i kanden.

Bemærk:

Brygningen stopper ikke, når du fjerner kanden. Hvis du ikke stiller kanden tilbage på apparatet inden for 20 sekunder, flyder filterkurven over.

6 Rengøring og vedligeholdelse

6.1 Rengøring efter hver brug

Advarsel:

Apparatet må aldrig komme ned i vand eller andre væsker eller skylles under vandhanen.

- 1 Tag stikket ud af stikkontakten.
- 2 Tør kaffemaskinens yderside af med en fugtig klud.
- 3 Rengør filterkurven med varmt vand og noget opvaskemiddel.

6.2 Rengøring af kaffebønneslisken

Du skal rengøre kaffebønneslisken hver eller hver anden uge, afhængigt af hvor tit du bruger apparatet.

- 1 Sæt stikket i en stikkontakt.
- 2 Tryk på start/standby-knappen (fig. 2).
 - *Displayet lyser.*
- 3 Tryk på start/standby-knappen, og tag derefter netledningen ud af stikkontakten.
- 4 Isæt den flade ende af rengøringsbørstens greb i kaffebønnesliskens lås, og drej låsen til åben position. (fig. 28)
- 5 Åbn låget til kaffebønneslisken (fig. 29).
- 6 Brug rengøringsbørsten til at børste rester af malet kaffe ned i nederste del af slisken (fig. 30).

Tip:

Placer et papirfilter i filterkurven for at opsamle den maledede kaffe.

- *De maledede kafferester falder ned i filterkurven.*

7 Luk låget til kaffebønneslisken, og drej låsen til låst position (fig. 31).

8 Fjern papirfilteret med de maledede kafferester, og smid det væk.

6.3 Rengøring af termokanden

Advarsel:

Kom aldrig termokanden i vand eller anden væske eller i opvaskemaskinen.

- Fjern låget på kanden ved at dreje håndtaget til "fjern låg"-symbolet. Løft derefter låget fra kanden (fig. 32).
- Kanden rengøres indvendigt med en blød børste og varmt vand tilsat lidt opvaskemiddel (fig. 33).

Tip:

- Genstridige brune belægninger fjernes bedst ved at fylde kanden med varmt vand tilsat en skefuld natriumkarbonat. Lad det stå og virke et stykke tid.
- Efter rengøring skal kanden skylles med rent varmt vand (fig. 34).
- Sæt låget på kanden ved at placere lågets to tapper i hakkene på kanten af kanden. Drej derefter låget til højre til "lukket/brygge"-symbolet. (fig. 35)

6.4 Afkalkning af kaffemaskine

Når meddelelsen "CALC" (Afkalkning) vises på displayet (efter ca. 60 brygninger), skal du afkalke kaffemaskinen, da kalk kan tilstoppe kaffemaskinen. Regelmæssig afkalkning forlænger kaffemaskinens levetid og sikrer et optimalt brygningsresultat og en konstant brygningstid i lang tid. Afkalk kaffemaskinen:

- for hver 120 brygninger, hvis du bruger blødt vand (op til 18 dH).
- for hver 60 brygninger, hvis du bruger hårdt vand (over 18 dH).

Oplysninger om vandets hårdhedsgrad fås på det lokale vandværk.

Bemærk:

Hvis du ikke kender vandets hårdhedsgrad i dit område, og du ikke har mulighed for at kontakte det lokale vandværk, anbefaler vi, at du afkalker apparatet, hver gang "CALC" vises på displayet.

Bemærk:

Tryk på knappen til 4-10 kopper og knappen STRENGTH samtidigt for at fjerne meddelelsen "CALC" på displayet.

- 1 Åbn låget til vandtanken.
- 2 Fyld vandtanken med 7 kopper hvid eddike (5 % eddikesyre) og 3 kopper vand (fig. 36).
- 3 Placer et papirfilter (nr. 4) i filterkurven, og luk holderen til filterkurven.
- 4 Sæt den tomme kande i apparatet (fig. 7).
- 5 Sæt stikket i en stikkontakt.
- 6 Tryk på start/standby-knappen (fig. 2).
- 7 Tryk på knappen for formling af kaffe for at slukke for kværnen. Tryk derefter på start/standby-knappen for at starte brygningen. (fig. 8)
- 8 Vent, indtil halvdelen af opløsningen af eddike og vand er løbet ned i kanden. Tryk derefter på start/standby-knappen for at stoppe brygningen, og lad opløsningen trække i mindst 15 minutter.
- 9 Tryk på start/standby-knappen for at tænde for kaffemaskinen igen, og lad apparatet fuldføre brygningen.
- 10 Tøm kanden, og smid papirfiltret ud.
- 11 Fyld vandtanken med koldt vand, og tryk på start/standby-knappen for at starte en ny brygning. Lad kaffemaskinen gennemføre hele brygningen, og tøm kanden.
- 12 Gentag trin 12, indtil vandet ikke længere smager eller lugter af eddike.
- 13 Rengør filterkurven og kanden med varmt vand og noget opvaskemiddel.

7 Bestilling af tilbehør

For at købe tilbehør eller reservedele kan du besøge www.shop.philips.com/service eller gå til din Philips-forhandler. Du kan også kontakte det lokale Philips Kundecenter i dit land (se folderen "World-Wide Guarantee" for at få kontaktoplysninger).

8 Miljøhensyn

- Apparatet må ikke smides ud sammen med almindeligt husholdningsaffald, når det til sin tid kasseres. Aflever det i stedet på en kommunal genbrugsstation. På den måde er du med til at beskytte miljøet (fig. 37).

9 Sikkerhed og support

Hvis du brug for hjælp eller support, bedes du besøge www.philips.com/support eller læse i den separate folder "World-Wide Guarantee".

10 Fejlfinding

Dette kapitel opsummerer de mest almindelige problemer, der kan forekomme ved brug af apparatet. Har du brug for yderligere hjælp og vejledning, så besøg www.philips.com/support for at se en liste over ofte stillede spørgsmål, eller du kan kontakte dit lokale Philips Kundecenter.

Apparatet fungerer ikke.

- Kontroller, at den angivne netspænding på apparatet svarer til den lokale netspænding.
- Fyld vandtanken med vand.

Når jeg bruger kværnen, smager kaffen for svagt.

- Sørg for, at det antal kopper, du vælger med knappen til 4-10 kopper, stemmer overens med mængden af vand i vandtanken. Husk på, at kaffemaskinen bruger alt vandet i vandtanken.
- Brug knappen STRENGTH til at indstille kaffens styrke til "strong" (stærk).
- Når du bruger kaffebønner, skal du sørge for, at du ikke trykker på knappen til formaling af kaffe, da det slukker for kværnen.
- Brug kaffebønner med en stærkere blanding eller smag.
- For at øge kaffestyrken skal du vælge et større antal kopper med knappen til 4-10 kopper end det antal kopper, du fylder vandtanken med.

Når jeg bruger formalet kaffe, er kaffens styrke for svag.

- Sørg for, at mængden af formalet kaffe i filteret passer med mængden af vand i vandtanken. Husk på, at apparatet bruger alt vandet i vandtanken.
- Brug malet kaffe med en stærkere blanding eller smag.
- For at øge kaffens styrke, skal du øge mængden af formalet kaffe eller reducere mængden af vand.

Filteret flyder over, når jeg fjerner kanden fra apparatet, mens det brygger kaffe.

- Hvis du fjerner kanden i mere end 20 sekunder under brygningen, får drypstoppet filterkurven til at løbe over. Vær også opmærksom på, at kaffen ikke opnår sin fulde smag, før brygningen er fuldført. Vi fraråder derfor, at du fjerner kanden og skænker kaffen, før brygningen er afsluttet.

Apparatet fortsætter med at dryppe et stykke tid efter endt brygning.

- Det skyldes kondensering af damp. Det er helt normalt, at apparatet drypper et stykke tid.
- Hvis apparatet ikke stopper med at dryppe, kan drypstopfunktionen være tilstoppet. Rengør drypstoppet ved at trykke på OPEN-knappen på højre side af apparatet for at åben filterkurvens holder. Tag filterkurven ud. Skyl derefter filterkurven og drypstoppet under vandhanen.
- Hvis du fjerner kanden i mere end 20 sekunder under brygningen, får drypstoppet filterkurven til at løbe over.

Kaffen er ikke tilstrækkelig varm.

- Forvarm kanden med varmt vand, før du starter brygningen.
- Kaffen i kanden mister hurtigere varmen, hvis du kun brygger nogle få kopper. Kaffen bevarer varmen længere, hvis du brygger 10 kopper, så kanden er fyldt.
- Brug tynde kopper, fordi de absorberer mindre varme fra kaffen end tykke kopper.
- Brug ikke mælk, der kommer direkte fra køleskabet.
- Afkalk apparatet. Se afsnittet "Afkalkning" i kapitlet "Rengøring og vedligeholdelse".

1 Einführung

Herzlichen Glückwunsch zu Ihrem Kauf und willkommen bei Philips! Um die Unterstützung von Philips optimal nutzen zu können, registrieren Sie Ihr Produkt bitte unter www.philips.com/welcome.

2 Allgemeine Beschreibung (Abb. 1)

- 1 Filterkorb
- 2 Tropf-Stopp
- 3 Verschluss der Kaffeebohenschütte
- 4 Wahlschalter für Mahlgrad
- 5 Anzeige
- 6 STRENGTH-Taste
- 7 4-10 CUPS-Taste
- 8 Filterkorbhalter
- 9 Thermo-Kannendeckel
- 10 Isolierte Thermo-Kanne
- 11 Überlauflöffnung
- 12 Wasserbehälter mit Sichtfenster (Wasserstand)
- 13 HOUR-Taste
- 14 PROGRAM-Taste
- 15 MINUTE-Taste
- 16 OPEN-Taste für Filterkorbhalter
- 17 Ein-/Ausschalter, Start-/Standby-Taste
- 18 Taste für gemahlene Kaffee
- 19 Dampfventil
- 20 Deckel der Kaffeebohenschütte
- 21 Deckel des Wasserbehälters
- 22 Kaffeebohnenbehälter
- 23 Deckel des Kaffeebohnenbehälters
- 24 Reinigungsbürste

3 Wichtig

Lesen Sie diese Bedienungsanleitung vor dem Gebrauch des Geräts aufmerksam durch, und bewahren Sie sie für eine spätere Verwendung auf.

3.1 Gefahr

- Tauchen Sie das Gerät niemals in Wasser oder andere Flüssigkeiten; spülen Sie es auch nicht unter fließendem Wasser ab.

3.2 Warnhinweis

- Prüfen Sie vor Inbetriebnahme, ob die Spannungsangabe auf der Unterseite des Geräts mit der örtlichen Netzspannung übereinstimmt.
- Um Gefährdungen zu vermeiden, darf ein defektes Netzkabel nur von einem Philips Service-Center, einer von Philips autorisierten Werkstatt oder einer ähnlich qualifizierten Person durch ein Original-Ersatzkabel ersetzt werden.
- Dieses Gerät kann von Kindern ab 8 Jahren und Personen mit verringerten physischen, sensorischen oder psychischen Fähigkeiten oder Mangel an Erfahrung und Kenntnis verwendet werden, wenn sie bei der Verwendung beaufsichtigt werden oder Anweisung zum sicheren Gebrauch des Geräts erhalten und die Gefahren verstanden haben. Kinder dürfen nicht mit dem Gerät spielen. Die Reinigung und Pflege des Geräts darf von Kindern nicht ohne Aufsicht durchgeführt werden.

- Kinder dürfen nicht mit dem Gerät spielen.
- Halten Sie das Netzkabel außerhalb der Reichweite von Kindern. Lassen Sie es nicht über die Kante der Tisch- oder Arbeitsplatte hängen, auf der das Gerät steht.
- Berühren Sie das Mahlwerk nicht. Dies gilt besonders dann, wenn das Gerät an das Stromnetz angeschlossen ist.
- Halten Sie Verpackungsmaterial (Plastikbeutel, Packkarton usw.) von Kindern fern. Diese Gegenstände sind kein Spielzeug.
- Vermeiden Sie jede Berührung der heißen Oberflächen, wenn das Gerät in Betrieb ist.
- Dieses Gerät ist für das Mahlen von Kaffeebohnen und die Zubereitung von Kaffee bestimmt. Verwenden Sie es ordnungsgemäß und mit Vorsicht, um Verbrühungen durch heißes Wasser oder Dampf zu vermeiden.
- Verwenden Sie das Gerät nicht, wenn der Netzstecker, das Netzkabel oder das Gerät selbst defekt oder beschädigt sind.
- Sollten Probleme mit dem Gerät auftreten, die sich mithilfe dieser Bedienungsanleitung nicht beheben lassen, wenden Sie sich bitte an das Philips Service-Center in Ihrem Land. Falls das Problem nicht gelöst werden kann, geben Sie das Gerät bitte zur Überprüfung bzw. Reparatur an ein Philips Service-Center.

Versuchen Sie nicht, das Gerät selbst zu reparieren, da andernfalls Ihr Garantieanspruch erlischt.

3.3 Achtung

- Stellen Sie das Gerät nicht auf heiße Flächen. Lassen Sie auch das Netzkabel nicht mit heißen Oberflächen in Berührung kommen.
- Ziehen Sie den Netzstecker aus der Steckdose, falls Probleme während des Mahl- oder Brühvorgangs auftreten und bevor Sie das Gerät reinigen.
- Bewegen Sie das Gerät nicht, während es in Betrieb ist.
- Warten Sie, bis sich das Gerät abgekühlt hat, bevor Sie es zur Aufbewahrung wegstellen. Das Gerät ist möglicherweise heiß.
- Nehmen Sie die isolierte Thermo-Kanne nicht auseinander.
- Tauchen Sie die isolierte Thermo-Kanne niemals in Wasser oder eine andere Flüssigkeit, da dadurch Wasser zwischen die Wände der Thermo-Kanne gelangen kann.
- Die Thermo-Kanne ist nicht spülmaschinenfest.
- Halten Sie die mit Kaffee gefüllte Thermo-Kanne senkrecht, damit sie nicht tropft.
- Während der Kaffeezubereitung werden die Basis des Geräts und der Boden der isolierten Thermo-Kanne heiß.

- Vergewissern Sie sich, nachdem Sie das Gerät ausgepackt haben, dass keine Teile fehlen und das Gerät nicht beschädigt ist. Falls Sie sich nicht sicher sind, verwenden Sie das Gerät bitte nicht, sondern wenden Sie sich an das Philips Service-Center in Ihrem Land.
- Dieses Gerät ist nur für den Gebrauch im privaten Haushalt bestimmt. Es ist z. B. nicht für die Verwendung in Personalküchen von Geschäften, Büros, landwirtschaftlichen Betrieben oder anderen Arbeitsbereichen vorgesehen. Auch ist es nicht für den Gebrauch in Hotels, Motels, Pensionen oder anderen Gastgewerben bestimmt.

3.4 Elektromagnetische Felder

Dieses Philips Gerät erfüllt sämtliche Normen bezüglich elektromagnetischer Felder (EMF). Nach aktuellen wissenschaftlichen Erkenntnissen ist das Gerät sicher im Gebrauch, sofern es ordnungsgemäß und entsprechend den Anweisungen in dieser Bedienungsanleitung gehandhabt wird.

4 Vor dem ersten Gebrauch

4.1 Die Uhrzeit einstellen

- 1 Stecken Sie den Netzstecker in eine Steckdose.
 - *Die Start-/Standby-Taste leuchtet auf.*
- 2 Drücken Sie die Start-/Standby-Taste (Abb. 2).
 - *Das Display leuchtet auf, und das Gerät gibt zwei Signaltöne aus.*

Hinweis:

Wenn Sie innerhalb von 5 Minuten keine Taste drücken, wechselt das Gerät in den Standby-Modus. In diesem Fall schaltet sich das Display aus und nur die Start-/Standby-Taste bleibt an, um anzuzeigen, dass das Gerät noch eingeschaltet ist. Im Standby-Modus können Sie jede beliebige Taste drücken, um das Gerät wieder zu aktivieren.

- *Auf dem Display blinkt "12:00", um anzuzeigen, dass Sie die Uhrzeit einstellen müssen. (Abb. 3)*

3 Drücken Sie wiederholt auf die HOUR-Taste, um die Stunden einzustellen (Abb. 4).

- *Das Gerät gibt jedes Mal einen Ton aus, wenn Sie die Taste drücken.*

4 Drücken Sie wiederholt auf die MINUTE-Taste, um die Minuten einzustellen. (Abb. 5)

- *Das Gerät gibt jedes Mal einen Ton aus, wenn Sie die Taste drücken.*

5 Die eingestellte Uhrzeit wird auf dem Display angezeigt. Die Kaffeemaschine ist betriebsbereit.

4.2 Das Gerät durchspülen

Sie müssen die Kaffeemaschine vor dem ersten Gebrauch einmal durchspülen.

- 1 Öffnen Sie den Deckel des Wasserbehälters. Füllen Sie den Wasserbehälter mit frischem, kaltem Wasser **bis zur 10-Tassen-Markierung**. (Abb. 6)

Hinweis:

Geben Sie keine Kaffeebohnen oder gemahlene Kaffeebohnen in das Gerät.

- 2 Schließen Sie den Deckel des Wasserbehälters.
- 3 Setzen Sie die Thermo-Kanne in das Gerät ein (Abb. 7).

Hinweis:

Vergewissern Sie sich, dass sich der Kannendeckel auf der Kanne befindet und der Pfeil auf das Symbol "Geschlossen/Brühen" zeigt (siehe Kapitel "Verwenden des Geräts", Abschnitt "Kaffeebohnen verwenden").

Stellen Sie außerdem sicher, dass die Kanne ordnungsgemäß ins Gerät eingesetzt ist. Der Auslauf muss dabei vorn in das Gerät zeigen. Wenn der Deckel nicht auf der Kanne aufliegt oder die Kanne nicht ordnungsgemäß in das Gerät eingesetzt ist, wird die Tropf-Stopp-Funktion automatisch aktiviert (siehe Kapitel "Verwenden des Geräts", Abschnitt "Tropf-Stopp-Funktion").

- 4** Drücken Sie die Start-/Standby-Taste (Abb. 2).
- *Das Gerät gibt einen Ton aus, und das Display leuchtet auf.*

- 5** Drücken Sie die Taste für gemahlene Kaffeebohnen, um das Mahlwerk auszuschalten (Abb. 8).
- *Die Taste für gemahlene Kaffeebohnen leuchtet auf.*

Hinweis:

Wenn Sie das Mahlwerk ausschalten, wird die Anzahl der Tassen und die Stärkeeinstellung nicht auf dem Display angezeigt.

- 6** Drücken Sie auf die Start-/Standby-Taste, um den Brühvorgang zu beginnen (Abb. 9).
- *Die Frischeanzeige blinkt schnell auf dem Display, bis der Brühvorgang beendet ist.*
 - *Wenn der Brühvorgang beendet ist, ertönen 5 Pieptöne.*
- 7** Leeren Sie die Kanne aus.

5 Das Gerät benutzen

5.1 Den Wasserbehälter füllen

- 1** Öffnen Sie den Deckel des Wasserbehälters, und füllen Sie den Wasserbehälter mit der erforderlichen Menge an kaltem Wasser. (Abb. 6)
- Auf dem Sichtfenster für den Wasserstand finden Sie Markierungen für 4 bis 10 Tassen (550 ml bis 1375 ml). Mithilfe dieser Markierungen können Sie bestimmen, wie viel Wasser Sie in den Wasserbehälter füllen. Beachten Sie bitte, dass die Menge des zubereiteten Kaffees etwas geringer sein wird, da gemahlener Kaffee Wasser absorbiert.

Hinweis: (Abb. 10)

Füllen Sie den Wasserbehälter nicht über die 10-Tassen-Markierung, andernfalls tritt Wasser aus der Öffnung an der Rückseite des Geräts aus.

5.2 Kaffeebohnen verwenden

Warnhinweis:

Geben Sie keine Espresso-Kaffeebohnen in den Kaffeebohnenbehälter. Verwenden Sie nur gewöhnliche Kaffeebohnen.

Warnhinweis:

Lassen Sie den Deckel des Wasserbehälters immer geschlossen, wenn Sie den Kaffeebohnenbehälter mit Kaffeebohnen füllen. Andernfalls können Kaffeebohnen in den Wasserbehälter fallen und den Wasserzulauf blockieren.

- 1** Drücken Sie die OPEN-Taste auf der rechten Seite des Geräts, um den Filterkorhalter zu öffnen. (Abb. 11)
- 2** Setzen Sie eine Filtertüte (Nr. 4) in den Filterkorb ein, um den gemahlene Kaffee darin aufzufangen. (Abb. 12)
- 3** Schließen Sie den Filterkorhalter.
- 4** Drehen Sie den Deckel der Kanne am Verschlusshebel bis zur Position "Geschlossen/Brühen". In dieser Position zeigt die Pfeilspitze auf dem Deckel auf das Symbol "Geschlossen/Brühen" auf dem Rand (Abb. 13).
- 5** Setzen Sie die Kanne in das Gerät ein.

Tipp:

- Um den Kaffee länger heiß zu halten, spülen Sie die Kanne zum Vorwärmen mit heißem Wasser aus, bevor Sie Kaffee zubereiten.
- 6** Entfernen Sie den Deckel des Kaffeebohnenbehälters (1) und füllen Sie den Behälter mit Kaffeebohnen (2). Vergewissern Sie sich, dass genug Kaffeebohnen für die Zubereitung der gewünschten Kaffeemenge im Behälter sind (Abb. 14).

Hinweis:

Achten Sie stets darauf, dass der Bohnenbehälter mindestens halb voll ist.

Warnhinweis:

Die maximale Fassungsvermögen des Kaffeebohnenbehälters beträgt 250 g. Überschreiten Sie diese Menge nicht, um zu verhindern, dass das Mahlwerk klemmt.

Warnhinweis:

Um zu verhindern, dass das Mahlwerk klemmt, verwenden Sie keine ungerösteten oder karamellisierten Bohnen.

- 7** Drehen Sie den Wahlschalter zum Einstellen des gewünschten Mahlgrads (von fein bis grob). Es gibt neun Mahlstufen (Abb. 15).

Tipp:

Wir empfehlen, verschiedene Mahlstufen zu testen, um Ihre bevorzugte Stufe herauszufinden.

- 8** Um die Anzahl der Tassen auszuwählen, drücken Sie die 4-10 CUPS-Taste entsprechend der Anzahl der gewünschten Tassen (Abb. 16).
- Wenn Sie die 4-10 CUPS-Taste drücken, leuchtet diese kurz auf, und das Gerät gibt einen Ton aus.
 - Die ausgewählte Anzahl an Tassen erscheint auf dem Display.

Hinweis:

Vergewissern Sie sich, dass die Anzahl der Tassen, die Sie mit der 4-10 CUPS-Taste auswählen, mit der Wassermenge im Wasserbehälter übereinstimmt. Bitte beachten Sie, dass der Kaffeeautomat das ganze Wasser im Wasserbehälter verbraucht. Wenn Sie eine Tassenanzahl wählen, die kleiner als die Wassermenge ist, wird der Kaffee schwächer als beabsichtigt.

- 9** Drücken Sie die STRENGTH-Taste einmal oder mehrmals, bis die gewünschte Kaffeestärke ausgewählt ist (mild, mittelstark oder stark) (Abb. 17).

- Wenn Sie die STRENGTH-Taste drücken, leuchtet diese kurz auf, und das Gerät gibt einen Ton aus.
- Auf dem Display wird die ausgewählte Kaffeestärke angezeigt.

- 10** Drücken Sie die Start-/Standby-Taste (Abb. 18).

- Das Gerät gibt einen Ton aus, und das Display leuchtet auf.

- 11** Drücken Sie erneut auf die Start-/Standby-Taste, um den Brühvorgang zu beginnen (Abb. 19).

Warnhinweis:

Halten Sie sich während des Brühvorgangs vom Dampfventil fern, weil heißer Dampf durch das Ventil entweicht.

- Das Mahlwerk mahlt die erforderliche Menge an Kaffeebohnen.
- Die Frischeanzeige blinkt schnell auf dem Display, bis der Brühvorgang beendet ist.
- Wenn der Brühvorgang beendet ist, gibt das Gerät 5 Pieptöne aus.

- 12** Warten Sie, bis die Kaffeemaschine aufgehört hat zu piepsen, bevor Sie die Kanne entfernen.

Hinweis:

Nach dem Brühvorgang tropft noch einige Sekunden lang Kaffee vom Filterkorb.

- Die Frischeanzeige blinkt langsam 30 Minuten lang nach dem Brühvorgang auf dem Display, um anzuzeigen, dass der Kaffee frisch ist. (Abb. 20)

- 13** Um Kaffee auszugießen, drehen Sie den Deckel zum Symbol "Ausgießen". In dieser Position zeigt die Pfeilspitze auf den Deckel auf das Symbol "Ausgießen" auf dem Rand (Abb. 21).

Hinweis:

Schließen Sie den Deckel nach dem Ausgießen, damit der Kaffee heiß bleibt.

5.3 Gemahlene Kaffee verwenden

Wenn Sie gemahlene Kaffee statt Kaffeebohnen verwenden wollen, befolgen Sie diese Schritte.

- 1 Befolgen Sie die Schritte 1 und 2 im Abschnitt "Kaffeebohnen verwenden".
- 2 Geben Sie gemahlene Kaffee in den Papierfilter.

Hinweis:

Wie viel gemahlene Kaffee Sie verwenden, ist eine Frage des individuellen Geschmacks. Für eine mittelstarke Tasse Kaffee verwenden Sie einen Messlöffel (ungefähr 6 g) je Tasse (125 ml).

- 3 Schließen Sie den Filterkorbhalter.
- 4 Drehen Sie den Deckel der Kanne am Verschlusshebel bis zum Symbol "Geschlossen/Brühen" auf dem Deckel. Stellen Sie die Kanne in das Gerät.
- 5 Drücken Sie die Start-/Standby-Taste.
 - **Das Gerät gibt einen Ton aus, und das Display leuchtet auf.**
- 6 Drücken Sie die Taste für gemahlene Kaffee, um das Mahlwerk auszuschalten (Abb. 8).
 - **Die Taste leuchtet auf, wenn Sie sie drücken.**

Hinweis:

Wenn Sie das Mahlwerk ausschalten, wird die Anzahl der Tassen und die Stärkeeinstellung nicht auf dem Display angezeigt.

- 7 Befolgen Sie die Schritte 11 bis 13 im Abschnitt "Kaffeebohnen verwenden".

5.4 Den Timer einstellen

Mit dem Timer können Sie die Zeit für den Beginn der Kaffeezubereitung programmieren.

- 1 Halten Sie die PROGRAM-Taste gedrückt, bis die Taste beginnt aufzuleuchten und "0:00" auf dem Display angezeigt wird (Abb. 22).
- 2 Drücken Sie wiederholt auf die HOUR-Taste, um die Stunden einzustellen. (Abb. 23)
 - **Das Gerät gibt jedes Mal einen Ton aus, wenn Sie die Taste drücken.**

- 3 Drücken Sie wiederholt auf die MINUTE-Taste, um die Minuten einzustellen. (Abb. 24)

- **Das Gerät gibt jedes Mal einen Ton aus, wenn Sie die Taste drücken.**
- **Die eingestellte Timer-Zeit wird auf dem Display angezeigt.**

- 4 Wählen Sie die Anzahl an Tassen, die Sie zubereiten möchten. (Abb. 25)

- 5 Wählen Sie die gewünschte Kaffeestärke (mild, mittelstark oder stark) aus. (Abb. 26)

- 6 Drücken Sie die PROGRAM-Taste, um die Einstellungen zu speichern. (Abb. 27)
 - **Die Anzeige der PROGRAM-Taste leuchtet dauerhaft.**
 - **Die Uhrzeit wird auf dem Display angezeigt.**

- 7 Um den Vorgang zu unterbrechen, drücken Sie erneut die PROGRAM-Taste.

- **Die Anzeige der PROGRAM-Taste erlischt.**

Hinweis:

Wenn Sie die eingestellte Timer-Zeit ändern möchten, drücken Sie die PROGRAM-Taste. Die LED-Anzeige der PROGRAM-Taste beginnt wieder zu blinken. Sie können nun eine neue Timer-Zeit einstellen, indem Sie die Tasten HOUR und MINUTE drücken.

Hinweis:

Wenn Sie Kaffee mit gemahlene Kaffee zubereiten möchten, drücken Sie die Taste für gemahlene Kaffee, um das Mahlwerk auszuschalten, bevor Sie die Anzahl von Tassen auswählen.

5.5 Tropf-Stopp-Funktion

Dank der Tropf-Stopp-Funktion können Sie die Kanne aus der Kaffeemaschine herauszunehmen, bevor der Brühvorgang beendet ist. Wenn Sie die Kanne herausnehmen, verhindert die Tropf-Stopp-Funktion ein Auslaufen des Kaffees.

Hinweis:

Der Brühvorgang wird nicht unterbrochen, wenn Sie die Kanne herausnehmen. Wenn Sie die Kanne nicht innerhalb von 20 Sekunden in das Gerät zurückstellen, läuft der Filterkorb über.

6 Reinigung und Wartung

6.1 Reinigung nach jedem Gebrauch

Warnhinweis:

Tauchen Sie das Gerät niemals in Wasser oder andere Flüssigkeiten; spülen Sie es auch nicht unter fließendem Wasser ab.

- 1 Ziehen Sie den Netzstecker aus der Steckdose.
- 2 Reinigen Sie die Oberflächen des Kaffeautomaten mit einem feuchten Tuch.
- 3 Reinigen Sie den Filterkorb mit heißem Wasser und etwas Spülmittel.

6.2 Die Kaffeebohenschütte reinigen

Sie müssen die Kaffeebohenschütte alle 1 bis 2 Wochen reinigen, je nach Häufigkeit des Gebrauchs.

- 1 Stecken Sie den Netzstecker in eine Steckdose.
- 2 Drücken Sie die Start-/Standby-Taste (Abb. 2).
 - *Das Display leuchtet auf.*
- 3 Drücken Sie die Start-/Standby-Taste, und ziehen Sie dann den Netzstecker aus der Steckdose.
- 4 Führen Sie das flache Ende des Reinigungsbürstengriffs in den Verschluss der Kaffeebohenschütte ein, und drehen Sie den Verschluss auf die Position zum Öffnen. (Abb. 28)
- 5 Öffnen Sie den Deckel der Kaffeebohenschütte (Abb. 29).
- 6 Verwenden Sie die Reinigungsbürste, um Reste von gemahlenem Kaffee in den unteren Teil der Schütte zu bürsten (Abb. 30).

Tipp:

Setzen Sie eine Filtertüte in den Filterkorb ein, um den gemahlene Kaffee darin aufzufangen.

- *Die Reste des gemahlene Kaffees fallen in den Filterkorb.*

- 7 Schließen Sie den Deckel der Kaffeebohenschütte, und drehen Sie den Verschluss auf die Position zum Schließen (Abb. 31).

- 8 Entfernen Sie die Filtertüte und entsorgen Sie sie mitsamt den Resten von gemahlenem Kaffee.

6.3 Die Thermo-Kanne reinigen

Warnhinweis:

Tauchen Sie die Thermo-Kanne nicht in Wasser oder sonstige Flüssigkeiten, und reinigen Sie sie nicht in der Spülmaschine.

- Um den Deckel von der Kanne zu entfernen, drehen Sie ihn an dem Verschlusshebel zum Symbol "Deckel entfernen". Ziehen Sie den Deckel dann von der Kanne (Abb. 32).
- Reinigen Sie das Innere der Kanne mit einer weichen Bürste, heißem Wasser und etwas Spülmittel (Abb. 33).

Tipp:

Hartnäckige Flecken entfernen Sie, indem Sie die Kanne mit heißem Wasser füllen und einen Löffel Soda hineingeben. Lassen Sie dies eine Weile einwirken.

- Spülen Sie die Kanne nach der Reinigung mit warmem Wasser aus (Abb. 34).
- Um den Deckel auf die Kanne aufzusetzen, legen Sie die beiden Vorsprünge des Deckels in die Öffnungen im Kannenrand. Drehen Sie dann den Deckel nach rechts auf das Symbol "Geschlossen/Brühen". (Abb. 35)

6.4 Die Kaffeemaschine entkalken

Wenn auf dem Display die Nachricht "CALC" (Reinigen) angezeigt wird (nach ungefähr 60 Brühvorgängen), müssen Sie die Kaffeemaschine entkalken, da Kalk das Gerät verstopfen kann. Regelmäßiges Entkalken verlängert die Lebensdauer des Kaffeautomaten und gewährleistet für lange Zeit eine optimale Kaffeezubereitung und konstante Brühzeiten. Entkalken Sie den Kaffeautomaten:

- Nach je 120 Brühvorgängen, wenn Sie weiches Wasser verwenden (Wasserhärte 1 und 2).
- Nach je 60 Brühvorgängen, wenn Sie hartes Wasser (Wasserhärte 3 und 4) verwenden.

Das für Sie zuständige Wasserwerk kann Ihnen Auskunft über den Härtegrad in Ihrer Region geben.

Hinweis:

Wenn Sie den Härtegrad in Ihrer Region nicht kennen und sich nicht an das für Sie zuständige Wasserwerk wenden können, empfehlen wir Ihnen, das Gerät immer dann zu entkalken, wenn die Nachricht "CALC" auf dem Display angezeigt wird.

Hinweis:

Um die Nachricht "CALC" vom Display zu entfernen, drücken Sie die 4-10 CUPS-Taste und die STRENGTH-Taste gleichzeitig.

- 1 Öffnen Sie den Deckel des Wasserbehälters.
- 2 Füllen Sie den Wasserbehälter mit 7 Tassen Haushaltssessig (5 % Säuregehalt) und 3 Tassen Wasser (Abb. 36).
- 3 Setzen Sie eine Filtertüre (Nr. 4) in den Filterkorb ein, und schließen Sie den Filterkorbbalger.
- 4 Setzen Sie die leere Kanne in das Gerät ein (Abb. 7).
- 5 Stecken Sie den Netzstecker in eine Steckdose.
- 6 Drücken Sie die Start-/Standby-Taste (Abb. 2).
- 7 Drücken Sie die Mahltaste, um das Mahlwerk auszuschalten. Drücken Sie anschließend die Start-/Standby-Taste, um den Brühvorgang zu starten. (Abb. 8)
- 8 Warten Sie, bis die Hälfte der Essig-Wasserlösung in die Kanne geflossen ist. Drücken Sie dann die Start-/Standby-Taste, um den Brühvorgang anzuhalten, und lassen Sie die Lösung für mindestens 15 Minuten einwirken.
- 9 Drücken Sie die Start-/Standby-Taste, um die Kaffeemaschine wieder einzuschalten, und lassen Sie das Gerät den Brühvorgang beenden.
- 10 Leeren Sie die Kanne, und entsorgen Sie die Filtertüre.

- 11 Füllen Sie den Wasserbehälter mit kaltem Wasser, und drücken Sie die Start-/Standby-Taste, um einen weiteren Brühvorgang zu starten. Lassen Sie die Kaffeemaschine den ganzen Brühvorgang vollenden, und leeren Sie die Kanne.
- 12 Wiederholen Sie Schritt 12, bis das Wasser nicht mehr nach Essig schmeckt oder riecht.
- 13 Reinigen Sie den Filterkorb und die Kanne mit heißem Wasser und etwas Spülmittel.

7 Zubehör bestellen

Um Zubehörteile oder Ersatzteile zu kaufen, besuchen Sie www.shop.philips.com/service, oder gehen Sie zu Ihrem Philips Händler. Sie können auch das Philips Service-Center in Ihrem Land kontaktieren (die Kontaktdetails finden Sie in der internationalen Garantieschrift).

8 Umwelt

- Geben Sie das Gerät am Ende der Lebensdauer nicht in den normalen Hausmüll. Bringen Sie es zum Recycling zu einer offiziellen Sammelstelle. Auf diese Weise tragen Sie zum Umweltschutz bei (Abb. 37).

9 Garantie und Support

Für Unterstützung und weitere Informationen besuchen Sie die Philips Website unter www.philips.com/support, oder lesen Sie die internationale Garantieschrift.

10 Fehlerbehebung

In diesem Abschnitt sind die häufigsten Probleme zusammengestellt, die mit Ihrem Gerät auftreten können. Sollten Sie ein Problem mithilfe der nachstehenden Informationen nicht beheben können, besuchen Sie unsere Website unter: **www.philips.com/support** für eine Liste mit häufig gestellten Fragen, oder wenden Sie sich den Kundendienst in Ihrem Land.

Das Gerät funktioniert nicht.

- Prüfen Sie, ob die Spannungsangabe auf dem Gerät mit der örtlichen Netzspannung übereinstimmt.
- Füllen Sie den Wasserbehälter mit Wasser.

Wenn ich das Mahlwerk verwende, ist der Kaffee zu schwach.

- Vergewissern Sie sich, dass die Anzahl der Tassen, die Sie mit der 4-10 CUPS-Taste auswählen, mit der Wassermenge im Wasserbehälter übereinstimmt. Bitte beachten Sie, dass der Kaffeeautomat das ganze Wasser im Wasserbehälter verbraucht.
- Verwenden Sie die STRENGTH-Taste, um die Kaffeestärke auf "stark" einzustellen.
- Wenn Sie Kaffeebohnen verwenden, vergewissern Sie sich, dass Sie nicht die Taste für gemahlene Kaffee drücken, da dies das Mahlwerk ausschaltet.
- Verwenden Sie eine stärkere Kaffeesorte mit mehr Aroma.
- Um die Kaffeestärke zu erhöhen, wählen Sie eine höhere Anzahl Tassen mit der 4-10 CUPS-Taste aus, als die Anzahl der Tassen Wasser, die Sie in den Wasserbehälter gefüllt haben.

Wenn ich gemahlene Kaffee verwende, ist der Kaffee zu schwach.

- Vergewissern Sie sich, dass die Menge des gemahlene Kaffees im Filter mit der Menge des Wassers im Wasserbehälter übereinstimmt. Bitte beachten Sie, dass das Gerät das ganze Wasser im Wasserbehälter verbraucht.
- Verwenden Sie eine stärkere Sorte gemahlene Kaffee mit mehr Aroma.

- Um die Kaffeestärke zu erhöhen, verwenden Sie mehr gemahlene Kaffee oder weniger Wasser.

Der Filter läuft über, wenn ich die Kanne während des Brühvorgangs aus dem Gerät nehme.

- Wenn Sie die Kanne während des Brühvorgangs für mehr als 20 Sekunden herausnehmen, verursacht die Tropf-Stopp-Funktion ein Überlaufen des Filterkorbs. Der Kaffee entfaltet erst am Ende des Brühvorgangs sein volles Aroma, daher sollten Sie keinen Kaffee entnehmen, bevor der Brühvorgang abgeschlossen ist.

Das Gerät tropft noch eine Weile nach Ablauf des Brühvorgangs.

- Das Tropfen wird durch die Kondensation von Dampf verursacht. Es ist völlig normal, dass das Gerät noch eine Weile tropft.
- Wenn das Tropfen nicht aufhört, ist der Tropf-Stopp möglicherweise verstopft. Um den Tropf-Stopp zu reinigen, drücken Sie die OPEN-Taste auf der rechten Seite des Geräts, um den Filterkorbbalger zu öffnen. Nehmen Sie den Filterkorb heraus. Spülen Sie dann den Filterkorb und den Tropf-Stopp unter fließendem Wasser aus.
- Wenn Sie die Kanne während des Brühvorgangs für länger als 20 Sekunden herausnehmen, verursacht die Tropf-Stopp-Funktion ein Überlaufen des Filterkorbs.

Der Kaffee ist nicht heiß genug.

- Erwärmen Sie die Kanne mit heißem Wasser, bevor Sie den Kaffee zubereiten.
- Der Kaffee kühlt schneller in der Kanne ab, wenn Sie nur ein paar Tassen zubereiten. Der Kaffee bleibt länger heiß, wenn Sie 10 Tassen - was einer vollen Kanne entspricht - zubereiten.
- Verwenden Sie dünnwandige Tassen, da diese dem Kaffee weniger Wärme entziehen als dickwandige Tassen.
- Benutzen Sie keine Milch, die direkt aus dem Kühlschrank kommt.
- Entkalken Sie den Wasserbehälter: Weitere Informationen finden Sie im Kapitel "Reinigung und Pflege", Abschnitt "Entkalken".

1 Εισαγωγή

Συγχαρητήρια για την αγορά σας και καλώς ήρθατε στη Philips! Για να επωφεληθείτε πλήρως από την υποστήριξη που παρέχει η Philips, δηλώστε το προϊόν σας στην ιστοσελίδα www.philips.com/welcome.

2 Γενική περιγραφή (Εικ. 1)

- 1 Καλάθι φίλτρου
- 2 Διακοπή σταξίματος
- 3 Ασφάλιση διόδου κόκκων καφέ
- 4 Διακόπτης επιλογής άλεσης
- 5 Οθόνη
- 6 Κουμπί STRENGTH
- 7 Κουμπί 4-10 CUPS
- 8 Βάση καλαθιού φίλτρου
- 9 Καπάκι κανάτας με μόνωση
- 10 Κανάτα με μόνωση
- 11 Οπή υπερχειλίσης
- 12 Δοχείο νερού με παράθυρο ορατότητας στάθμης νερού
- 13 Κουμπί HOUR
- 14 Κουμπί PROGRAM
- 15 Κουμπί MINUTE
- 16 Κουμπί OPEN για το στήριγμα καλαθιού φίλτρου
- 17 Κουμπί ενεργοποίησης/απενεργοποίησης, έναρξης/αναμονής
- 18 Κουμπί αλεσμένου καφέ
- 19 Έξοδος ατμού
- 20 Καπάκι διόδου κόκκων καφέ
- 21 Καπάκι δοχείου νερού
- 22 Δοχείο κόκκων καφέ
- 23 Καπάκι δοχείου κόκκων καφέ
- 24 Βουρτσάκι καθαρισμού

3 Σημαντικό

Διαβάστε προσεκτικά το παρόν εγχειρίδιο χρήσης προτού χρησιμοποιήσετε τη συσκευή και κρατήστε το για μελλοντική αναφορά.

3.1 Κίνδυνος

- Μην βυθίζετε ποτέ τη συσκευή σε νερό ή σε οποιοδήποτε άλλο υγρό και μην την ξεπλένετε με νερό βρύσης.

3.2 Προειδοποίηση

- Ελέγξτε εάν η τάση που αναγράφεται στο κάτω μέρος της συσκευής αντιστοιχεί στην τοπική τάση ρεύματος προτού συνδέσετε τη συσκευή.
- Αν το καλώδιο υποστεί φθορά, θα πρέπει να αντικατασταθεί από ένα κέντρο επισκευών εξουσιοδοτημένο από τη Philips ή από εξίσου εξειδικευμένα άτομα, προς αποφυγή κινδύνου.
- Αυτή η συσκευή μπορεί να χρησιμοποιηθεί από παιδιά ηλικίας 8 ετών και άνω, καθώς και από άτομα με περιορισμένες σωματικές, αισθητήριες ή διανοητικές ικανότητες ή χωρίς εμπειρία και γνώση, με την προϋπόθεση ότι τη χρησιμοποιούν υπό επίβλεψη ή έχουν λάβει οδηγίες σχετικά με την ασφαλή της χρήση και κατανοούν τους ενεχόμενους κινδύνους. Τα παιδιά δεν πρέπει να παίζουν με τη συσκευή. Τα παιδιά δεν πρέπει να καθαρίζουν τη συσκευή ή να

εκτελούν διεργασίες συντήρησης χωρίς επίβλεψη.

- Τα παιδιά δεν πρέπει να παίζουν με τη συσκευή.
- Κρατάτε το καλώδιο μακριά από παιδιά. Μην αφήνετε το καλώδιο να κρέμεται από την άκρη του τραπεζιού ή του πάγκου πάνω στον οποίο έχετε τοποθετήσει τη συσκευή.
- Μην αγγίζετε τις λεπίδες άλεσης της συσκευής, ειδικά όταν η συσκευή είναι συνδεδεμένη στην πρίζα.
- Κρατήστε τα υλικά της συσκευασίας (πλαστικές σακούλες, χαρτόνια, κ.λπ.) μακριά από παιδιά, καθώς δεν αποτελούν παιχνίδι.
- Μην αγγίζετε τις ζεστές επιφάνειες της συσκευής κατά τη λειτουργία της.
- Η συσκευή αυτή έχει σχεδιαστεί για την άλεση κόκκων και την παρασκευή καφέ. Να την χρησιμοποιείτε σωστά και προσεκτικά προς αποφυγή εγκαυμάτων από ζεστό νερό και ατμό.
- Μην χρησιμοποιείτε τη συσκευή εάν το φιλτράρισμα, το καλώδιο ή η ίδια η συσκευή έχει υποστεί φθορά.
- Εάν παρουσιαστεί κάποιο πρόβλημα, το οποίο δεν μπορείτε να επιλύσετε με το παρόν εγχειρίδιο χρήσης, επικοινωνήστε με το Κέντρο Εξυπηρέτησης Καταναλωτών στη χώρα σας. Εάν δεν είναι δυνατή η επίλυση του προβλήματος, πηγαίνετε τη

συσκευή σε ένα κέντρο σέρβις εξουσιοδοτημένο από τη Philips για έλεγχο και επισκευή. Μην επιχειρήσετε να επισκευάσετε τη συσκευή μόνοι σας, καθώς η εγγύησή σας θα καταστεί άκυρη.

3.3 Προσοχή

- Μην τοποθετείτε τη συσκευή πάνω σε ζεστή επιφάνεια και αποφύγετε την επαφή του καλωδίου με ζεστές επιφάνειες.
- Αποσυνδέστε τη συσκευή από την πρίζα εάν προκύψουν προβλήματα κατά την άλεση ή την παρασκευή καφέ και πριν τον καθαρισμό της.
- Μην μετακινείτε τη συσκευή όταν βρίσκεται σε λειτουργία.
- Περιμένετε να κρυώσει η συσκευή για να την αποθηκεύσετε. Η συσκευή ενδέχεται να είναι ζεστή.
- Μην αποσυναρμολογείτε την κανάτα με μόνωση.
- Μην βυθίζετε ποτέ την κανάτα με μόνωση σε νερό ή σε οποιοδήποτε άλλο υγρό, καθώς μπορεί να προκληθεί εισροή νερού ανάμεσα στα τοιχώματα της κανάτας.
- Η κανάτα με μόνωση δεν πλένεται στο πλυντήριο πιάτων.
- Όταν η κανάτα με μόνωση είναι γεμάτη με καφέ, να την τοποθετείτε σε όρθια θέση ώστε να αποφύγετε τυχόν διαρροή.
- Κατά την παρασκευή καφέ, το κάτω τμήμα της συσκευής και η βάση της κανάτας με μόνωση θερμαίνονται.

- Όταν αφαιρέσετε τη συσκευή από τη συσκευασία της, βεβαιωθείτε ότι είναι ακέραιη και άφθαρτη. Εάν υπάρχουν αμφιβολίες, μην χρησιμοποιήσετε τη συσκευή και επικοινωνήστε με το Κέντρο Εξυπηρέτησης Καταναλωτών στη χώρα σας.
- Αυτή η συσκευή προορίζεται μόνο για φυσιολογική οικιακή χρήση. Δεν προορίζεται για χρήση σε περιβάλλοντα όπως κουζίνες προσωπικού σε καταστήματα, γραφειακούς χώρους, φάρμες ή λοιπούς χώρους εργασίας. Επίσης δεν προορίζεται για χρήση από πελάτες σε ξενοδοχεία, μοτέλ, πανδοχεία και λοιπούς οικιστικούς χώρους.

3.4 Ηλεκτρομαγνητικά πεδία (EMF)

Η συγκεκριμένη συσκευή της Philips συμμορφώνεται με όλα τα πρότυπα που αφορούν τα ηλεκτρομαγνητικά πεδία (EMF). Εάν τη χρησιμοποιείτε σωστά και σύμφωνα με τις οδηγίες αυτού του εγχειριδίου, η συσκευή είναι ασφαλής στη χρήση βάσει των επιστημονικών αποδείξεων που είναι διαθέσιμες μέχρι σήμερα.

4 Πριν την πρώτη χρήση

4.1 Ρύθμιση του ρολογιού

- 1 Συνδέστε το φιλς στην πρίζα.
 - Το κουμπί έναρξης/αναμονής ανάβει.

- 2 Πατήστε το κουμπί έναρξης/αναμονής (Εικ. 2).
 - *Η οθόνη φωτίζεται και η συσκευή παράγει δύο ήχους ("μπιπ").*

Σημείωση:

Εάν δεν πατήσετε κανένα κουμπί εντός 5 λεπτών, η συσκευή μεταβαίνει σε κατάσταση αναμονής. Στην περίπτωση αυτή, η οθόνη απενεργοποιείται και παραμένει αναμμένο μόνο το κουμπί έναρξης/αναμονής, υποδεικνύοντας ότι η συσκευή εξακολουθεί να είναι ενεργοποιημένη. Στην κατάσταση αναμονής, μπορείτε να πατήσετε οποιοδήποτε κουμπί για να επανενεργοποιήσετε τη συσκευή.

- *Στην οθόνη αναβοσβήνει η ένδειξη 12:00, υποδεικνύοντας ότι πρέπει να ρυθμίσετε την ώρα του ρολογιού. (Εικ. 3)*
- 3 Πατήστε επανειλημμένα το κουμπί HOUR για να ρυθμίσετε την ώρα (Εικ. 4).
 - *Η συσκευή παράγει ένα ηχητικό σήμα κάθε φορά που πατάτε το κουμπί.*
 - 4 Πατήστε επανειλημμένα το κουμπί MINUTE για να ρυθμίσετε τα λεπτά. (Εικ. 5)
 - *Η συσκευή παράγει ένα ηχητικό σήμα κάθε φορά που πατάτε το κουμπί.*
 - 5 Στην οθόνη εμφανίζεται η ώρα που έχετε ρυθμίσει. Η καφετιέρα είναι έτοιμη για χρήση.

4.2 Καθαρισμός της συσκευής με νερό

Πρέπει να ξεπλύνετε την καφετιέρα με νερό μία φορά πριν από την πρώτη χρήση.

- 1 Ανοίξτε το καπάκι του δοχείου νερού. Γεμίστε το δοχείο νερού με κρύο νερό **έως την ένδειξη για 10 φλιτζάνια.** (Εικ. 6)

Σημείωση:

Μην τοποθετήσετε κόκκους καφέ ή αλεσμένο καφέ στη συσκευή.

- 2 Κλείστε το καπάκι δοχείου νερού.
- 3 Τοποθετήστε την κανάτα με μόνωση στη συσκευή (Εικ. 7).

Σημείωση:

Βεβαιωθείτε ότι το καπάκι της κανάτας είναι στην κανάτα με μόνωση, καθώς και ότι το βέλος στο καπάκι δείχνει προς το σύμβολο “κλειστό/παρασκευή καφέ” (δείτε το κεφάλαιο “Χρήση της συσκευής”, ενότητα “Χρήση κόκκων καφέ”). Επίσης, βεβαιωθείτε ότι η κανάτα έχει τοποθετηθεί σωστά στη συσκευή. Το στόμιο πρέπει να είναι στραμμένο προς τα εμπρός στη συσκευή. Εάν το καπάκι δεν είναι στην κανάτα ή η κανάτα δεν έχει τοποθετηθεί σωστά στη συσκευή, ενεργοποιείται αυτόματα η λειτουργία προστασίας σταξίματος (βλ. κεφάλαιο “Χρήση της συσκευής”, ενότητα “Λειτουργία προστασίας σταξίματος”).

4 Πατήστε το κουμπί έναρξης/αναμονής (Εικ. 2).

- *Η συσκευή παράγει ένα ηχητικό σήμα και η οθόνη φωτίζεται.*

5 Πατήστε το κουμπί αλεσμένου καφέ για να απενεργοποιήσετε το μύλο (Εικ. 8).

- *Ανάβει το κουμπί αλεσμένου καφέ.*

Σημείωση:

Όταν απενεργοποιείτε το μύλο, ο αριθμός φλιτζανιών και η ρύθμιση γεύσης καφέ δεν εμφανίζονται στην οθόνη.

6 Πατήστε το κουμπί έναρξης/αναμονής για να ξεκινήσετε τη διαδικασία παρασκευής (Εικ. 9).

- *Η ένδειξη φρεσκάδας αναβοσβήνει γρήγορα στην οθόνη μέχρι να ολοκληρωθεί η διαδικασία παρασκευής.*
- *Η καφετιέρα παράγει 5 ηχητικά σήματα (μπιπ) μόλις ολοκληρωθεί η διαδικασία παρασκευής.*

7 Αδειάστε την κανάτα.

5 Χρήση της συσκευής

5.1 Πλήρωση της δεξαμενής νερού

1 Ανοίξτε το καπάκι του δοχείου νερού και γεμίστε το δοχείο νερού με την απαιτούμενη ποσότητα κρύου νερού. (Εικ. 6)
Στο παράθυρο ορατότητας στάθμης νερού υπάρχουν ενδείξεις για 4 έως 10 φλιτζάνια (550 ml έως 1375 ml). Μπορείτε να χρησιμοποιείτε αυτές τις ενδείξεις για να καθορίσετε πόσο νερό θα βάλατε στο δοχείο νερού. Να θυμάστε ότι η ποσότητα του παρασκευασμένου καφέ θα είναι ελαφρώς λιγότερη, καθώς ο αλεσμένος καφές απορροφά νερό.

Σημείωση: (Εικ. 10)

Μη γεμίσετε το δοχείο νερού πάνω από την ένδειξη για 10 φλιτζάνια, καθώς το νερό θα χυθεί από το άνοιγμα στην πίσω πλευρά.

5.2 Χρήση κόκκων καφέ

Προειδοποίηση:

Μην τοποθετείτε κόκκους espresso στο δοχείο κόκκων καφέ. Να χρησιμοποιείτε μόνο κόκκους κανονικού καφέ.

Προειδοποίηση:

Διατηρείτε πάντοτε κλειστό το καπάκι του δοχείου νερού όταν γεμίζετε το δοχείο κόκκων καφέ με κόκκους καφέ. Διαφορετικά, μπορεί να πέσουν κόκκοι καφέ μέσα στο δοχείο νερού και να φράξουν το άνοιγμα εισόδου του νερού.

1 Πατήστε το κουμπί OPEN στη δεξιά πλευρά της καφετιέρας για να ανοίξετε το στήριγμα του καλαθιού φίλτρου. (Εικ. 11)

- 2** Τοποθετήστε ένα χάρτινο φίλτρο (No. 4) στο καλάθι του φίλτρου για να συλλέξετε τον αλεσμένο καφέ. (Εικ. 12)
- 3** Κλείστε το στήριγμα του καλαθιού φίλτρου.
- 4** Γυρίστε το καπάκι της κανάτας, πιάνοντάς το από τη λαβή, στη θέση "κλειστό/παρασκευή καφέ". Στη θέση αυτή, το ενδεικτικό βέλος στο καπάκι δείχνει προς το σύμβολο "κλειστό/παρασκευή καφέ" στο χειλός (Εικ. 13).
- 5** Τοποθετήστε την κανάτα στη συσκευή.

Συμβουλή:

Για να διατηρήσετε τον καφέ ζεστό για περισσότερη ώρα, ζεπλώνετε την κανάτα με ζεστό νερό, ώστε να την προθερμάνετε πριν αρχίσετε την παρασκευή καφέ.

- 6** Αφαιρέστε το καπάκι δοχείου κόκκων καφέ (1) και γεμίστε το δοχείο με κόκκους καφέ (2). Βεβαιωθείτε ότι υπάρχουν αρκετοί κόκκοι καφέ στο δοχείο για την ποσότητα καφέ που θέλετε να παρασκευάσετε (Εικ. 14).

Σημείωση:

Να βεβαιώνετε πάντα ότι το δοχείο κόκκων είναι γεμάτο τουλάχιστον μέχρι τη μέση.

Προειδοποίηση:

Η μέγιστη χωρητικότητα του δοχείου κόκκων καφέ είναι 250g. Για να μην μπλοκάρει ο μύλος, μην βάζετε μεγαλύτερη ποσότητα.

Προειδοποίηση:

Για να μην μπλοκάρει ο μύλος, μην χρησιμοποιείτε ακαβούρδιστους ή καραμελωμένους κόκκους.

- 7** Γυρίστε το διακόπτη επιλογής άλεσης για να επιλέξετε τον επιθυμητό τύπο άλεσης: από μικρούς έως μεγάλους κόκκους. Υπάρχουν εννέα ρυθμίσεις άλεσης (Εικ. 15).

Συμβουλή:

Σας συνιστούμε να πειραματιστείτε με τις διάφορες ρυθμίσεις άλεσης, ώστε να βρείτε εκείνη που προτιμάτε.

- 8** Για να επιλέξετε τον αριθμό φλιτζανιών, πατήστε το κουμπί 4-10 CUPS τόσες φορές όσες και ο επιθυμητός αριθμός φλιτζανιών (Εικ. 16).
 - Όταν πατάτε το κουμπί 4-10 CUPS, αυτό ανάβει για λίγο και η οθόνη παράγει ένα ηχητικό σήμα.
 - Ο επιλεγμένος αριθμός φλιτζανιών εμφανίζεται στην οθόνη.

Σημείωση:

Βεβαιωθείτε ότι ο αριθμός φλιτζανιών που επιλέγετε με το κουμπί 4-10 CUPS είναι αντίστοιχος με την ποσότητα νερού στο δοχείο νερού. Να θυμάστε ότι η καφετιέρα χρησιμοποιεί όλο το νερό που υπάρχει στο δοχείο. Εάν επιλέξετε αριθμό φλιτζανιών μικρότερο από την ποσότητα του νερού, ο καφές γίνεται λιγότερο δυνατός απ' όσο σκοπεύατε.

- 9** Πατήστε το κουμπί STRENGTH μία ή αρκετές φορές μέχρι να επιλεγεί η επιθυμητή γεύση καφέ (ελαφρύς, μέτριος ή δυνατός) (Εικ. 17).
 - Όταν πατάτε το κουμπί STRENGTH, αυτό ανάβει για λίγο και η οθόνη παράγει ένα ηχητικό σήμα.
 - Στην οθόνη εμφανίζεται η επιλεγμένη γεύση καφέ.
- 10** Πατήστε το κουμπί έναρξης/ αναμονής (Εικ. 18).
 - Η συσκευή παράγει ένα ηχητικό σήμα και η οθόνη φωτίζεται.
- 11** Πατήστε πάλι το κουμπί έναρξης/ αναμονής για να ξεκινήσετε τη διαδικασία παρασκευής (Εικ. 19).

Προειδοποίηση:

Μείνετε μακριά από τη διαφυγή ατμού κατά την παρασκευή καφέ, καθώς ο καυτός ατμός διαφεύγει μέσω αυτής.

- Ο μύλος αλέθει την απαιτούμενη ποσότητα κόκκων καφέ.
 - Η ένδειξη φρεσκάδας αναβοσβήνει γρήγορα στην οθόνη μέχρι να ολοκληρωθεί η διαδικασία παρασκευής.
 - Όταν ολοκληρωθεί η διαδικασία παρασκευής, η καφετιέρα παράγει 5 ηχητικά σήματα.
- 12** Περιμένετε να σταματήσει η καφετιέρα να παράγει ηχητικά σήματα για να αφαιρέσετε την κανάτα.

☹ Σημείωση:

Μετά από την παρασκευή καφέ, ο καφές στάζει από το καλάθι φίλτρου για αρκετά δευτερόλεπτα.

- Η ένδειξη φρεσκάδας αναβοσβήνει αργά στην οθόνη για 30 λεπτά μετά την παρασκευή καφέ, υποδεικνύοντας ότι ο καφές είναι φρέσκος. (Εικ. 20)
- 13** Για να σερβίρετε καφέ, γυρίστε το καπάκι στη θέση "σερβίρισμα". Στη θέση αυτή, το ενδεικτικό βέλος στο καπάκι δείχνει προς το σύμβολο "σερβίρισμα" στο χείλος (Εικ. 21).

☹ Σημείωση:

Κλείνετε πάντα το καπάκι μετά το σερβίρισμα, ώστε να διατηρείται ζεστός ο καφές.

5.3 Χρήση αλεσμένου καφέ

Εάν επιθυμείτε να χρησιμοποιήσετε αλεσμένο καφέ και όχι κόκκους καφέ, ακολουθήστε τα παρακάτω βήματα.

- 1** Ακολουθήστε τα βήματα 1 και 2 στην ενότητα "Χρήση κόκκων καφέ".
- 2** Τοποθετήστε τον προαλεσμένο καφέ στο χάρτινο φίλτρο.

☹ Σημείωση:

Η ποσότητα αλεσμένου καφέ που χρησιμοποιείτε εξαρτάται από το τι σας αρέσει. Για μέτριο-δυνατό καφέ, χρησιμοποιήστε ένα κουτάλι μέτρησης (περίπου 6 γρ.) για κάθε φλιτζάνι (125 ml).

- 3** Κλείστε το στήριγμα του καλάθιού φίλτρου.

- 4** Γυρίστε το καπάκι της κανάτας, πιάνοντάς το από τη λαβή, προς το σύμβολο "κλειστό/παρασκευή καφέ" πάνω στο καπάκι. Τοποθετήστε την κανάτα στη συσκευή.
- 5** Πατήστε το κουμπί έναρξης/αναμονής.
 - Η συσκευή παράγει ένα ηχητικό σήμα και η οθόνη φωτίζεται.
- 6** Πατήστε το κουμπί αλεσμένου καφέ για να απενεργοποιήσετε το μύλο (Εικ. 8).
 - Το κουμπί ανάβει όταν το πατάτε.

☹ Σημείωση:

Όταν απενεργοποιείτε το μύλο, ο αριθμός φλιτζανιών και η ρύθμιση γεύσης καφέ δεν εμφανίζονται στην οθόνη.

- 7** Ακολουθήστε τα βήματα 11 έως 13 στην ενότητα "Χρήση κόκκων καφέ".

5.4 Ρύθμιση του χρονόμετρου

Το χρονόμετρο σας επιτρέπει να προγραμματίσετε το χρόνο έναρξης της διαδικασίας παρασκευής καφέ.

- 1** Πατήστε παρατεταμένα το κουμπί PROGRAM μέχρι να αρχίσει να αναβοσβήνει και να εμφανιστεί η ένδειξη "0:00" στην οθόνη (Εικ. 22).
- 2** Πατήστε επανειλημμένα το κουμπί HOUR για να ρυθμίσετε την ώρα. (Εικ. 23)
 - Η συσκευή παράγει ένα ηχητικό σήμα κάθε φορά που πατάτε το κουμπί.
- 3** Πατήστε επανειλημμένα το κουμπί MINUTE για να ρυθμίσετε τα λεπτά. (Εικ. 24)
 - Η συσκευή παράγει ένα ηχητικό σήμα κάθε φορά που πατάτε το κουμπί.
 - Στην οθόνη εμφανίζεται η ώρα του χρονόμετρου που έχετε ρυθμίσει.
- 4** Επιλέξτε τον αριθμό των φλιτζανιών που θέλετε να παρασκευάσετε. (Εικ. 25)
- 5** Επιλέξτε την επιθυμητή γεύση καφέ (ελαφρύς, μέτριος ή δυνατός). (Εικ. 26)
- 6** Πατήστε το κουμπί PROGRAM για να αποθηκεύσετε τις ρυθμίσεις. (Εικ. 27)
 - Το κουμπί PROGRAM παραμένει συνεχώς αναμμένο.
 - Το ρολόι εμφανίζεται στην οθόνη.

- 7** Για να διακόψετε τη διαδικασία, πατήστε πάλι το κουμπί PROGRAM.

- *Η λυχνία στο κουμπί PROGRAM σβήνει.*

Σημείωση:

Αν θέλετε να αλλάξετε την ώρα του χρονομέτρου που έχετε ρυθμίσει, πατήστε το κουμπί PROGRAM. Η ένδειξη του κουμπιού PROGRAM αρχίζει πάλι να αναβοσβήνει. Μπορείτε πλέον να ρυθμίσετε τη νέα ώρα του χρονομέτρου πατώντας τα κουμπιά HOUR και MINUTE.

Σημείωση:

Αν θέλετε να παρασκευάσετε καφέ χρησιμοποιώντας αλεσμένο καφέ, πατήστε το κουμπί αλεσμένου καφέ για να απενεργοποιήσετε το μύλο προτού επιλέξετε τον αριθμό των φλιτζανιών.

5.5 Λειτουργία προστασίας σταξίματος (Drip stop)

Η λειτουργία προστασίας σταξίματος (Drip stop) σάς επιτρέπει να αφαιρέσετε την κανάτα από την καφετιέρα προτού ολοκληρωθεί η διαδικασία παρασκευής. Όταν αφαιρείτε την κανάτα, η λειτουργία προστασίας σταξίματος (Drip stop) σταματά τη ροή του καφέ στην κανάτα.

Σημείωση:

Η διαδικασία παρασκευής δεν σταματά όταν αφαιρείτε την κανάτα. Εάν δεν τοποθετήσετε ξανά την κανάτα στη συσκευή μέσα σε 20 δευτερόλεπτα, το καλάθι φίλτρου θα υπερχειλίσει.

6 Καθαρισμός και συντήρηση

6.1 Καθαρισμός μετά από κάθε χρήση

Προειδοποίηση:

Μην βυθίζετε ποτέ τη συσκευή σε νερό ή σε οποιοδήποτε άλλο υγρό και μην την ξεπλένετε με νερό βρύσης.

- 1** Αποσυνδέστε το φις από την πρίζα.
- 2** Καθαρίστε το εξωτερικό μέρος της καφετιέρας με ένα υγρό πανί.
- 3** Καθαρίστε το καλάθι του φίλτρου με ζεστό νερό και λίγο υγρό απορρυπαντικό.

6.2 Καθαρισμός του καπακιού διόδου κόκκων καφέ

Πρέπει να καθαρίζετε τη δίοδο κόκκων καφέ κάθε 1 - 2 εβδομάδες, ανάλογα με τη συχνότητα χρήσης.

- 1** Συνδέστε το φις στην πρίζα.
- 2** Πατήστε το κουμπί έναρξης/αναμονής (Εικ. 2).
 - *Η οθόνη φωτίζεται.*
- 3** Πατήστε το κουμπί έναρξης/αναμονής και στη συνέχεια αφαιρέστε το φις από την πρίζα.
- 4** Τοποθετήστε το επίπεδο άκρο της λαβής της βούρτσας καθαρισμού στην ασφάλιση της διόδου κόκκων καφέ και γυρίστε την ασφάλιση στη θέση "ανοιχτό". (Εικ. 28)
- 5** Ανοίξτε το καπάκι της διόδου κόκκων καφέ (Εικ. 29).
- 6** Χρησιμοποιήστε το βουρτσάκι καθαρισμού για να καθαρίσετε τα υπολείμματα αλεσμένου καφέ στο κάτω μέρος της διόδου (Εικ. 30).

Συμβουλή:

Τοποθετήστε ένα χάρτινο φίλτρο στο καλάθι του φίλτρου για να συλλέξετε τον αλεσμένο καφέ.

- Τα υπολείμματα αλεσμένου καφέ πέφτουν μέσα στο καλάθι φίλτρου.

- 7 Κλείστε το καπάκι της διόδου κόκκων καφέ και γυρίστε την ασφάλιση στη θέση 'κλειδωμάτος' (Εικ. 31).
- 8 Αφαιρέστε το χάρτινο φίλτρο με τα υπολείμματα αλεσμένου καφέ και πετάξτε το.

6.3 Καθαρισμός της κανάτας

Προειδοποίηση:

Μην βυθίζετε την κανάτα με μόνωση σε νερό ή οποιοδήποτε άλλο υγρό και μην την πλένετε στο πλυντήριο πιάτων.

- Για να αφαιρέσετε το καπάκι από την κανάτα, γυρίστε το στο σύμβολο "αφαίρεση καπακιού" πιάνοντάς το από τη λαβή. Στη συνέχεια, αφαιρέστε το καπάκι από την κανάτα (Εικ. 32).
- Καθαρίστε το εσωτερικό της κανάτας με μαλακή βούρτσα, ζεστό νερό και λίγο υγρό απορρυπαντικό (Εικ. 33).

Συμβουλή:

Για να αφαιρέσετε επίμονα υπολείμματα καφέ, γεμίστε την κανάτα με ζεστό νερό και προσθέστε μια κουταλιά ανθρακικού νατρίου (washing soda). Αφήστε το να ενεργήσει για λίγη ώρα.

- Μετά τον καθαρισμό, ξεπλύνετε την κανάτα με φρέσκο ζεστό νερό (Εικ. 34).
- Για να τοποθετήσετε το καπάκι στην κανάτα, εφαρμόστε τις δύο προεξοχές του στα ανοίγματα που υπάρχουν στο στόμιο της κανάτας. Στη συνέχεια, γυρίστε το καπάκι στο σύμβολο "κλειστό/παρασκευη καφέ". (Εικ. 35)

6.4 Αφαίρεση αλάτων από την καφετιέρα

Όταν εμφανίζεται το μήνυμα "CALC" στην οθόνη (μετά από περίπου 60 διαδικασίες παρασκευής), πρέπει να αφαιρέσετε τα άλατα από την καφετιέρα, καθώς ενδέχεται να τη φράξουν.

Ο τακτικός καθαρισμός των αλάτων παρατείνει τη διάρκεια ζωής της καφετιέρας, ενώ εγγυάται άριστα αποτελέσματα και συνεπή χρόνο παρασκευής καφέ για μεγάλο διάστημα. Αφαιρέστε τα άλατα ως εξής:

- ανά 120 κύκλους παρασκευής, εάν χρησιμοποιείτε μαλακό νερό (έως και 18dH).
- ανά 60 κύκλους παρασκευής, εάν χρησιμοποιείτε σκληρό νερό (πάνω από 18dH).

Για πληροφορίες σχετικά με την σκληρότητα του νερού της περιοχής σας, απευθυνθείτε στην τοπική υπηρεσία ύδρευσης.

Σημείωση:

Εάν δεν γνωρίζετε τη σκληρότητα του νερού της περιοχής σας και δεν μπορείτε να επικοινωνήσετε με την τοπική υπηρεσία ύδρευσης, συνιστούμε να αφαιρείτε τα άλατα κάθε φορά που εμφανίζεται στην οθόνη το μήνυμα "CALC".

Σημείωση:

Για να σβήσετε το μήνυμα "CALC" από την οθόνη, πατήστε ταυτόχρονα το κουμπί 4-10 CUPS και το κουμπί STRENGTH.

- 1 Ανοίξτε το καπάκι δοχείου νερού.
- 2 Γεμίστε το δοχείο νερού με 7 φλιτζάνια λευκό ξίδι (οξικό οξύ 5%) και 3 φλιτζάνια νερό (Εικ. 36).
- 3 Τοποθετήστε ένα χάρτινο φίλτρο (αρ. 4) στο καλάθι φίλτρου και κλείστε το στήριγμα καλαθιού φίλτρου.
- 4 Τοποθετήστε την άδεια κανάτα στη συσκευή (Εικ. 7).
- 5 Συνδέστε το φιν στην πρίζα.
- 6 Πατήστε το κουμπί έναρξης/αναμονής (Εικ. 2).
- 7 Πατήστε το κουμπί αλεσμένου καφέ για να απενεργοποιήσετε το μύλο. Στη συνέχεια, πατήστε το κουμπί έναρξης/αναμονής για να ξεκινήσετε τη διαδικασία παρασκευής. (Εικ. 8)

- 8 Περιμένετε μέχρι το μισό διάλυμα ξυδιού-νερού να εισέλθει στην κανάτα. Κατόπιν, πατήστε το κουμπί έναρξης/αναμονής για να σταματήσετε τη διαδικασία παρασκευής και αφήστε το διάλυμα να ενεργήσει για τουλάχιστον 15 λεπτά.
- 9 Πατήστε το κουμπί έναρξης/αναμονής για να ενεργοποιήσετε πάλι την καφετιέρα και αφήστε τη συσκευή να ολοκληρώσει τη διαδικασία παρασκευής.
- 10 Αδειάστε την κανάτα και πετάξτε το χάρτινο φίλτρο.
- 11 Γεμίστε το δοχείο νερού με κρύο νερό και πατήστε το κουμπί έναρξης/αναμονής για να ξεκινήσετε μια νέα διαδικασία παρασκευής. Αφήστε την καφετιέρα να ολοκληρώσει την πλήρη διαδικασία παρασκευής και αδειάστε την κανάτα.
- 12 Επαναλάβετε το βήμα 12 ώσπου το νερό να μην έχει πλέον γεύση ή οσμή ξυδιού.
- 13 Καθαρίστε το καλάθι φίλτρου και την κανάτα με ζεστό νερό και λίγο υγρό απορρυπαντικό.

7 Παραγγελία εξαρτημάτων

Για να αγοράσετε εξαρτήματα ή ανταλλακτικά, επισκεφτείτε τη διεύθυνση www.shop.philips.com/service ή απευθυνθείτε στον αντιπρόσωπο της Philips στην περιοχή σας. Μπορείτε επίσης να επικοινωνήσετε με το Κέντρο Εξυπηρέτησης Καταναλωτών της Philips στη χώρα σας (θα βρείτε τα στοιχεία επικοινωνίας στο φυλλάδιο της διεθνούς εγγύησης).

8 Περιβάλλον

- Στο τέλος της ζωής της συσκευής μην την πετάξετε μαζί με τα συνηθισμένα οικιακά σας απορρίμματα, αλλά παραδώστε την σε ένα επίσημο σημείο συλλογής για ανακύκλωση. Με αυτόν τον τρόπο θα συμβάλετε στην προστασία του περιβάλλοντος (Εικ. 37).

9 Εγγύηση και υποστήριξη

Αν χρειάζεστε πληροφορίες ή υποστήριξη, επισκεφτείτε τη διεύθυνση www.philips.com/support ή διαβάστε το ξεχωριστό φυλλάδιο της διεθνούς εγγύησης.

10 Αντιμετώπιση προβλημάτων

Αυτό το κεφάλαιο συνοψίζει τα πιο συνηθισμένα προβλήματα που μπορεί να αντιμετωπίσετε με τη συσκευή. Αν δεν μπορέσετε να λύσετε το πρόβλημα με τις παρακάτω πληροφορίες, ανατρέξτε στη λίστα συχνών ερωτήσεων στη διεύθυνση www.philips.com/support ή επικοινωνήστε με το Κέντρο Εξυπηρέτησης Καταναλωτών στη χώρα σας.

Η συσκευή δεν λειτουργεί.

- Βεβαιωθείτε ότι η τάση που αναγράφεται στη συσκευή αντιστοιχεί στην τοπική τάση ρεύματος.
- Γεμίστε το δοχείο νερού με νερό.

Όταν χρησιμοποιώ το μύλο, ο καφές είναι πολύ ελαφρύς.

- Βεβαιωθείτε ότι ο αριθμός φλιτζανιών που επιλέγετε με το κουμπί 4-10 CUPS είναι αντίστοιχος με την ποσότητα νερού στο δοχείο νερού. Να θυμάστε ότι η καφετιέρα χρησιμοποιεί όλο το νερό που υπάρχει στο δοχείο.
- Χρησιμοποιήστε το κουμπί STRENGTH για να ρυθμίσετε τη γεύση του καφέ στο 'strong' (δυνατή).
- Όταν χρησιμοποιείτε κόκκους καφέ, βεβαιωθείτε ότι δεν πατάτε το κουμπί αλεσμένου καφέ, καθώς απενεργοποιείται ο μύλος.
- Χρησιμοποιήστε κόκκους καφέ δυνατότερου μίγματος ή γεύσης.
- Για να ενισχύσετε τη γεύση του καφέ, επιλέξτε με το κουμπί 4-10 CUPS μεγαλύτερο αριθμό φλιτζανιών από τον αριθμό με τον οποίο γεμίσατε το δοχείο νερού.

Όταν χρησιμοποιώ αλεσμένο καφέ, ο καφές είναι πολύ ελαφρύς.

- Βεβαιωθείτε ότι η ποσότητα αλεσμένου καφέ είναι αντίστοιχη με την ποσότητα νερού στο δοχείο νερού. Να θυμάστε ότι η συσκευή χρησιμοποιεί όλο το νερό που υπάρχει στο δοχείο νερού.
- Χρησιμοποιήστε αλεσμένο καφέ δυνατότερου μίγματος ή γεύσης.
- Για να αυξήσετε τη γεύση του καφέ, αυξήστε την ποσότητα αλεσμένου καφέ ή μειώστε την ποσότητα του νερού.

Το φίλτρο υπερχειλίζει όταν απομακρύνω την κανάτα από τη συσκευή, ενώ παρασκευάζεται καφές.

- Εάν αφαιρέσετε την κανάτα για περισσότερα από 20 δευτερόλεπτα κατά τη διάρκεια της διαδικασίας παρασκευής, η λειτουργία προστασίας σταξίματος (drip stop) προκαλεί υπερχειλίση στο καλάθι φίλτρου. Επιπλέον, να θυμάστε ότι ο καφές δεν αποκτά τη γεμάτη γεύση του εάν δεν ολοκληρωθεί η διαδικασία παρασκευής. Επομένως, συνιστούμε να μην αφαιρέσετε την κανάτα και να μην σερβίρετε τον καφέ πριν από την ολοκλήρωση της διαδικασίας παρασκευής.

Η συσκευή συνεχίζει να στάζει για μεγάλο χρονικό διάστημα μετά την ολοκλήρωση του κύκλου παρασκευής.

- Το στάξιμο προκαλείται από συμπύκνωση του ατμού. Είναι απόλυτα φυσιολογικό η συσκευή να στάζει για κάποιο χρονικό διάστημα.
- Εάν η συσκευή δεν σταματήσει να στάζει, ενδέχεται το σύστημα drip stop να έχει φράξει. Για να καθαρίσετε το σύστημα drip stop, πατήστε το κουμπί OPEN στη δεξιά πλευρά της συσκευής για να ανοίξετε τη βάση του καλαθιού φίλτρου. Αφαιρέστε το καλάθι φίλτρου. Ξεπλύνετε το καλάθι φίλτρου και το drip stop κάτω από τη βρύση.
- Εάν αφαιρέσετε την κανάτα για περισσότερα από 20 δευτερόλεπτα κατά τη διάρκεια του κύκλου παρασκευής, η λειτουργία προστασίας σταξίματος (Drip stop) προκαλεί την υπερχειλίση του καλαθιού φίλτρου.

Ο καφές δεν είναι αρκετά ζεστός.

- Προθερμαίνετε την κανάτα με ζεστό νερό πριν αρχίσετε την παρασκευή καφέ.
- Αν παρασκευάζετε λίγα μόνο φλιτζάνια καφέ, ο καφές στην κανάτα κρυώνει πιο γρήγορα. Αν παρασκευάζετε 10 φλιτζάνια καφέ, δηλαδή μια γεμάτη κανάτα, ο καφές παραμένει ζεστός για περισσότερη ώρα.
- Χρησιμοποιείτε φλιτζάνια με λεπτά τοιχώματα, επειδή απορροφούν λιγότερη θερμότητα από τον καφέ σε σχέση με τα φλιτζάνια με χοντρά τοιχώματα.
- Μην χρησιμοποιείτε γάλα απευθείας από το ψυγείο.
- Αφαιρέστε τα άλατα από τη συσκευή. Βλ. ενότητα 'Αφαίρεση αλάτων' στο κεφάλαιο 'Καθαρισμός και συντήρηση'.

1 Introducción

Enhorabuena por la compra de este producto y bienvenido a Philips. Para sacar el mayor partido de la asistencia que Philips le ofrece, registre su producto en www.philips.com/welcome.

2 Descripción general (fig. 1)

- 1 Cesta del filtro
- 2 Antigoteo
- 3 Cierre del conducto de granos de café
- 4 Rueda de selección del molinillo
- 5 Pantalla
- 6 Botón de intensidad STRENGTH
- 7 Botón de 4-10 tazas
- 8 Soporte de la cesta del filtro
- 9 Tapa de la jarra con aislamiento
- 10 Jarra con aislamiento
- 11 Orificio de rebosamiento
- 12 Depósito de agua con ventana de nivel de agua
- 13 Botón de horas HOUR
- 14 Botón de programa PROGRAM
- 15 Botón de minutos MINUTE
- 16 Botón de apertura OPEN para el soporte de cesta del filtro
- 17 Botón de encendido/apagado, inicio/parada
- 18 Botón de café molido previamente
- 19 Orificio de salida del vapor
- 20 Tapa del conducto de granos de café
- 21 Tapa del depósito de agua
- 22 Contenedor de granos de café
- 23 Tapa del contenedor de granos de café
- 24 Cepillo de limpieza

3 Importante

Antes de usar el aparato, lea atentamente este manual de usuario

y consérvelo por si necesitara consultarlo en el futuro.

3.1 Peligro

- No sumerja nunca el aparato en agua u otros líquidos, ni lo enjuague bajo el grifo.

3.2 Advertencia

- Antes de enchufar el aparato, compruebe si el voltaje indicado en la parte inferior del mismo se corresponde con el voltaje de red local.
- Si el cable de alimentación está dañado, debe ser sustituido por Philips o por un centro de servicio autorizado por Philips, con el fin de evitar situaciones de peligro.
- Este aparato puede ser usado por niños a partir de 8 años y por personas con su capacidad física, psíquica o sensorial reducida y por quienes no tengan los conocimientos y la experiencia necesarios, si han sido supervisados o instruidos acerca del uso del aparato de forma segura y siempre que sepan los riesgos que conlleva su uso. No permita que los niños jueguen con el aparato. Los niños no deben llevar a cabo la limpieza ni el mantenimiento a menos que sean supervisados.
- No permita que los niños jueguen con el aparato.
- Mantenga el cable de alimentación fuera del alcance de los niños. No deje que el cable de alimentación cuelgue del borde de la mesa o encimera donde esté colocado el aparato.

- No toque los moledores del aparato, especialmente cuando éste está conectado a la red.
- Mantenga los materiales del embalaje (bolsas de plástico, cartones de protección, etc.) fuera del alcance de los niños, ya que no son un juguete.
- No toque las superficies calientes del aparato cuando éste esté en funcionamiento.
- Este aparato se ha diseñado para moler y preparar café. Utilícelo correctamente y con precaución para evitar quemaduras causadas por el agua caliente y el vapor.
- No utilice el aparato si la clavija, el cable de alimentación o el propio aparato están dañados.
- Si se produce algún problema que no puede resolver con ayuda de este manual del usuario, póngase en contacto con el Servicio de Atención al Cliente de Philips en su país. Si el problema no se puede solucionar, lleve el aparato a un centro de servicio autorizado por Philips para su comprobación y reparación. No intente repararlo usted mismo, de lo contrario, la garantía quedaría anulada.
- No mueva el aparato mientras está en funcionamiento.
- Espere a que se enfríe el aparato antes de guardarlo. El aparato puede estar caliente.
- No desmonte la jarra con aislamiento.
- No sumerja la jarra con aislamiento en agua ni en ningún otro líquido, ya que el agua podría filtrarse entre las paredes de la jarra.
- La jarra con aislamiento no puede lavarse en el lavavajillas.
- Cuando la jarra con aislamiento esté llena de café, manténgala en posición vertical para evitar que se derrame el café.
- Mientras se prepara el café, la parte inferior del aparato y de la jarra con aislamiento se calientan.
- Cuando haya desembalado el aparato, asegúrese de que está completo y sin desperfectos. En caso de duda no utilice el aparato; póngase en contacto con el Servicio de Atención al Cliente de Philips en su país.
- Este aparato está diseñado sólo para un uso doméstico normal, no para un uso en entornos como las cocinas de los comercios, oficinas, granjas u otros entornos laborales. Tampoco lo deben usar los clientes de hoteles, moteles, hostales en los que se ofrecen desayunos ni clientes de entornos residenciales de otro tipo.

3.3 Precaución

- No coloque el aparato sobre superficies calientes y evite que el cable entre en contacto con superficies calientes.
- Desenchufe el aparato antes de limpiarlo, así como si se produce algún problema durante el molido o la preparación de café.

3.4 Campos electromagnéticos (CEM)

Este aparato Philips cumple todos los estándares sobre campos electromagnéticos (CEM). Si se utiliza correctamente y de acuerdo con las instrucciones de este manual, el aparato se puede usar de forma segura según los conocimientos científicos disponibles hoy en día.

4 Antes de utilizarlo por primera vez

4.1 Ajuste del reloj

1 Enchufe la clavija de red a la toma de corriente.

- *Se ilumina el botón inicio/modo de espera.*

2 Pulse el botón de inicio/modo de espera (fig. 2).

- *La pantalla se ilumina y el aparato emite dos pitidos.*

Nota:

Si no pulsa ningún botón en un transcurso de 5 minutos, el aparato entra en modo de espera. En este caso, la pantalla se apaga y el botón de inicio/modo de espera permanece iluminado para indicar que el aparato todavía está encendido. En el modo de espera, puede pulsar cualquier botón para reactivar el aparato.

- *En la pantalla parpadea 12:00 para indicar que debe ajustar la hora del reloj. (fig. 3)*

3 Pulse el botón HOUR varias veces para ajustar la hora (fig. 4).

- *El aparato emite un pitido cada vez que pulsa el botón.*

4 Pulse el botón MINUTE varias veces para ajustar los minutos. (fig. 5)

- *El aparato emite un pitido cada vez que pulsa el botón.*

5 La pantalla muestra la hora del reloj que se ha ajustado. La cafetera está lista para su uso.

4.2 Limpieza del aparato antes de usarlo

Debe limpiar la cafetera una vez antes del primer uso.

1 Abra la tapa del depósito de agua. Llénelo de agua fría **hasta el indicador de 10 tazas.** (fig. 6)

Nota:

No coloque granos de café ni café molido en el aparato.

2 Cierre la tapa del depósito de agua.

3 Coloque la jarra con aislamiento en el aparato (fig. 7).

Nota:

Asegúrese de que la tapa de la jarra está colocada en la jarra y de que la flecha de la tapa apunta hacia el símbolo "cerrado/en proceso" (consulte la sección "Uso de los granos de café" del capítulo "Uso del aparato"). Asegúrese también de que la jarra está colocada correctamente en el aparato. La boquilla debe estar orientada hacia delante en el aparato. Si la tapa no está colocada en la jarra o esta no está colocada correctamente en el aparato, la función antigoteo se activa automáticamente (consulte la sección "Función antigoteo" en el capítulo "Uso del aparato").

4 Pulse el botón de inicio/modo de espera (fig. 2).

- *El aparato emite un pitido y la pantalla de ilumina.*

5 Pulse el botón de café molido previamente para apagar el molinillo (fig. 8).

- *El botón de café molido previamente se ilumina.*

Nota:

Cuando apaga el molinillo, el número de tazas y el ajuste de intensidad no se muestran en la pantalla.

6 Pulse el botón de inicio/modo de espera para iniciar el proceso de preparación (fig. 9).

- *El indicador de recién hecho parpadea rápidamente en la pantalla hasta que el proceso de preparación de café se termina.*
- *La cafetera emite 5 pitidos cuando el proceso de preparación de café acaba.*

7 Vacíe la jarra.

5 Uso del aparato

5.1 Llenado del depósito de agua

1 Abra la tapa del depósito de agua y llénelo con la cantidad necesaria de agua fría. (fig. 6) Hay indicadores para 4 a 10 tazas (550 ml a 1375 ml) en la ventana de nivel de agua. Puede utilizar estos indicadores para determinar cuánta agua debe poner en el depósito. Tenga presente que la cantidad de café preparado será algo menor porque el café molido absorbe agua.

Nota: (fig. 10)

No llene el depósito de agua más allá del indicador de 10 tazas o el agua podría derramarse por la abertura posterior.

5.2 Uso de los granos de café

Advertencia:

No ponga granos de café espresso en el contenedor de granos de café. Utilice solo granos de café normal.

Advertencia:

Mantenga siempre la tapa del depósito de agua cerrada cuando llene el contenedor de granos de café con granos de café. De lo contrario los granos de café podrían caerse en el depósito de agua y bloquear la entrada de agua.

1 Pulse el botón OPEN del lado derecho de la cafetera para abrir el soporte de la cesta del filtro. (fig. 11)

2 Coloque un filtro de papel (nº 4) en la cesta del filtro para recoger el café molido. (fig. 12)

3 Cierre el soporte de la cesta del filtro.

4 Gire la tapa de la jarra mediante la palanca hasta la posición "cerrado/en proceso". En esta posición, la punta de la flecha de la tapa apunta hacia el símbolo "cerrado/en proceso" del borde (fig. 13).

5 Coloque la jarra en el aparato.

Consejo:

Para mantener el café caliente durante más tiempo, enjuague la jarra con agua caliente para precalentarla antes de preparar café.

6 Retire la tapa del contenedor de granos de café (1) y llénelo de granos (2). Asegúrese de que hay suficientes para la cantidad de café que desea preparar (fig. 14).

Nota:

Asegúrese siempre de que el contenedor de granos está por lo menos medio lleno.

Advertencia:

La capacidad máxima del contenedor de granos de café es de 250 g. Para evitar que el molinillo se atasque, no exceda esta cantidad.

Advertencia:

Para evitar que el molinillo se atasque, no use granos sin tostar o caramelizados.

7 Gire la rueda de selección del molinillo para seleccionar el tipo deseado de molido, de fino a grueso. Hay nueve niveles (fig. 15).

Consejo:

Le aconsejamos que experimente con los distintos ajustes de molido para descubrir el que prefiere.

8 Para seleccionar el número de tazas, pulse el botón de 4-10 tazas tantas veces como tazas desee (fig. 16).

- Cuando pulsa el botón de 4-10 tazas, se ilumina brevemente y el aparato emite un pitido.
- El número seleccionado de tazas aparece en la pantalla.

Nota:

Asegúrese de que el número de tazas que ha seleccionado con el botón de 4-10 tazas coincide con la cantidad de agua del depósito. Tenga presente que la cafetera utiliza toda el agua del depósito. Si selecciona un número de tazas inferior a la cantidad de agua, el café será menos intenso de lo que pretendía.

- 9** Pulse el botón de intensidad STRENGTH una vez o varias veces hasta seleccionar la intensidad de café deseada (suave, medio o intenso) (fig. 17).
- *Cuando pulsa el botón STRENGTH, se ilumina brevemente y el aparato emite un pitido.*
 - *La intensidad de café seleccionada aparece en el display.*
- 10** Pulse el botón de inicio/modo de espera (fig. 18).
- *El aparato emite un pitido y la pantalla de ilumina.*
- 11** Pulse el botón de inicio/modo de espera de nuevo para iniciar el proceso de preparación (fig. 19).

Advertencia:

No se acerque al orificio de salida del vapor durante la preparación, ya que saldrá vapor muy caliente.

- *El molinillo muele la cantidad requerida de granos de café.*
 - *El indicador de recién hecho parpadea rápidamente en la pantalla hasta que el proceso de preparación de café se termina.*
 - *La cafetera emite 5 pitidos cuando el proceso de preparación de café acaba.*
- 12** Espere a que la cafetera haya dejado de pitar antes de retirar la jarra.

Nota:

Después de prepararlo, el café gotea desde la cesta del filtro durante varios segundos.

- *El indicador de recién hecho parpadea lentamente en la pantalla durante 30 minutos después de la preparación, para indicar que el café está recién hecho. (fig. 20)*
- 13** Para servir el café, gire la tapa hasta la posición "servir". En esta posición, la punta de la flecha de la tapa apunta hacia el símbolo "servir" del borde (fig. 21).

Nota:

Para mantener caliente el café, cierre siempre la tapa después de servirlo.

5.3 Uso de café molido previamente

Si desea usar café molido en vez de granos de café, siga los siguientes pasos.

- 1** Siga los pasos 1 y 2 de la sección "Uso de los granos de café".
- 2** Ponga café molido previamente en el filtro de papel.

Nota:

La cantidad de café molido depende de las preferencias personales. Para obtener un café de intensidad media-alta, utilice un cacito dosificador (aproximadamente 6 g) por cada taza (125 ml).

- 3** Cierre el soporte de la cesta del filtro.
- 4** Gire la tapa de la jarra mediante la palanca hasta el símbolo "cerrado/en proceso" de la tapa. Coloque la jarra en el aparato.
- 5** Pulse el botón de inicio/modo de espera.
 - *El aparato emite un pitido y la pantalla de ilumina.*
- 6** Pulse el botón de café molido previamente para apagar el molinillo (fig. 8).
 - *El botón se ilumina cuando lo pulsa.*

Nota:

Cuando apaga el molinillo, el número de tazas y el ajuste de intensidad no se muestran en la pantalla.

- 7** Siga los pasos 11 a 13 de la sección "Uso de los granos de café".

5.4 Programación del temporizador

El temporizador le permite programar la hora de inicio del proceso de preparación del café.

- 1** Mantenga pulsado el botón PROGRAM hasta que empiece a parpadear y aparezca 0:00 en la pantalla (fig. 22).
- 2** Pulse el botón HOUR varias veces para ajustar la hora. (fig. 23)
 - *El aparato emite un pitido cada vez que pulsa el botón.*

- 3 Pulse el botón MINUTE varias veces para ajustar los minutos. (fig. 24)
 - *El aparato emite un pitido cada vez que pulsa el botón.*
 - *La pantalla muestra la hora del temporizador que se ha ajustado.*
- 4 Seleccione el número de tazas que desea preparar. (fig. 25)
- 5 Seleccione la intensidad de café deseada (suave, medio o intenso). (fig. 26)
- 6 Pulse el botón PROGRAM para guardar los ajustes. (fig. 27)
 - *El botón PROGRAM se ilumina continuamente.*
 - *La hora del reloj aparece en la pantalla.*
- 7 Para interrumpir el proceso, pulse el botón PROGRAM otra vez.
 - *El botón PROGRAM se apaga.*

Nota:

Si desea cambiar la hora del temporizador que se ha ajustado, pulse el botón PROGRAM. El indicador del botón PROGRAM comienza a parpadear de nuevo. Ahora puede ajustar la nueva hora del temporizador pulsando los botones HOUR y MINUTE.

Nota:

Si desea preparar café con café molido, pulse el botón de café molido previamente para apagar el molinillo antes de seleccionar el número de tazas.

5.5 Función antigoteo

La función antigoteo le permite retirar la jarra de la cafetera antes de que el proceso de preparación de café haya terminado. Cuando retira la jarra, la función antigoteo detiene la salida de café a la jarra.

Nota:

El proceso de preparación de café no para cuando retira la jarra. Si no vuelve a colocar la jarra en el aparato en un plazo de 20 segundos, la cesta del filtro rebosará.

6 Limpieza y mantenimiento

6.1 Limpieza después de cada uso

Advertencia:

No sumerja nunca el aparato en agua u otros líquidos, ni lo enjuague bajo el grifo.

- 1 Desenchufe el aparato de la toma de corriente.
- 2 Limpie la parte exterior de la cafetera con un paño húmedo.
- 3 Limpie la cesta del filtro con agua caliente y algo de detergente líquido.

6.2 Limpieza del conducto de granos de café

Debe limpiar el conducto de granos de café cada 1 ó 2 semanas, dependiendo de la frecuencia de uso.

- 1 Enchufe la clavija de red a la toma de corriente.
- 2 Pulse el botón de inicio/modo de espera (fig. 2).
 - *La pantalla se ilumina.*
- 3 Pulse el botón de inicio/modo de espera y a continuación desenchufe el cable de alimentación de la toma de corriente.
- 4 Inserte el extremo plano del asa del cepillo de limpieza en el cierre del conducto de granos de café y gire el cierre a la posición de abierto. (fig. 28)
- 5 Abra la tapa del conducto de granos de café (fig. 29).
- 6 Utilice el cepillo de limpieza para limpiar los restos de café molido en la parte inferior del conducto (fig. 30).

Consejo:

Coloque un filtro de papel en la cesta del filtro para recoger el café molido.

- *Los restos de café molido caen en la cesta del filtro.*

- 7 Cierre la tapa del conducto de granos de café y gire el cierre hasta la posición de bloqueo (fig. 31).
- 8 Quite el filtro de papel con los restos de café molido y tírelo.

6.3 Limpieza de la jarra con aislamiento

Advertencia:

No sumerja la jarra con aislamiento en agua u otros líquidos y no la lave en el lavavajillas.

- Para quitar la tapa de la jarra, gírela mediante la palanca hasta el símbolo de “quitar tapa”. A continuación, quite la tapa de la jarra (fig. 32).
- Lave el interior de la jarra con un cepillo suave, agua caliente y un poco de detergente líquido (fig. 33).

Consejo:

Para eliminar los restos persistentes de café, llene la jarra con agua caliente y añada una cucharada de carbonato sódico. Déjelo actuar un rato.

- Después de lavarla, aclare la jarra con agua caliente (fig. 34).
- Para colocar la tapa en la jarra, inserte los dos salientes de la tapa en las aberturas del borde de la jarra. A continuación, gire la tapa hacia la derecha hasta el símbolo de “cerrado/en proceso”. (fig. 35)

6.4 Eliminación de los depósitos de cal de la cafetera

Cuando se muestra el mensaje ‘CALC’ en la pantalla (después de haber preparado café unas 60 veces), debe eliminar la cal de la cafetera, ya que puede atascarla.

Si elimina los depósitos de cal de forma regular, prolongará la vida de la cafetera y garantizará resultados óptimos y un tiempo de preparación constante durante mucho tiempo. Elimine los depósitos de cal de la cafetera:

- Cada 120 ciclos de preparación de café si utiliza agua blanda (hasta 18 dH).

- Cada 60 ciclos de preparación de café si utiliza agua dura (más de 18 dH).

Puede consultar a la compañía suministradora de agua para obtener información acerca de la dureza del agua en su zona.

Nota:

Si desconoce la dureza del agua de su zona y no puede ponerse en contacto con la compañía suministradora de agua, le recomendamos eliminar los depósitos de cal del aparato cada vez que aparezca el mensaje “CALC” en la pantalla.

Nota:

Para que desaparezca el mensaje ‘CALC’ de la pantalla, pulse el botón de 4-10 tazas y el botón de intensidad STRENGTH simultáneamente.

- 1 Abra la tapa del depósito de agua.
- 2 Llene el depósito de agua con 7 tazas de vinagre blanco (5% de ácido acético) y 3 tazas de agua (fig. 36).
- 3 Coloque un filtro de papel (nº 4) en la cesta del filtro y cierre el soporte de la cesta del filtro.
- 4 Coloque la jarra vacía en el aparato (fig. 7).
- 5 Enchufe la clavija de red a la toma de corriente.
- 6 Pulse el botón de inicio/modo de espera (fig. 2).
- 7 Pulse el botón de café molido previamente para apagar el molinillo. Después pulse el botón de encendido/modo de espera para iniciar el proceso de preparación de café. (fig. 8)
- 8 Espere hasta que la mitad de la solución de vinagre-agua haya fluido hasta la jarra. A continuación, pulse el botón de encendido/modo de espera para detener el proceso de preparación de café y deje que la solución actúe por lo menos 15 minutos.
- 9 Pulse el botón de encendido/modo de espera para encender de nuevo la cafetera y deje que el aparato complete el proceso de preparación de café.
- 10 Vacíe la jarra y tire el filtro de papel.

- 11 Llene el depósito de agua con agua fría y pulse el botón de encendido/modo de espera para comenzar otro proceso de preparación de café. Deje que la cafetera complete el proceso de preparación de café y vacíe la jarra.
- 12 Repita el paso 12 hasta que el agua ya no sepa ni huelga a vinagre.
- 13 Limpie la cesta del filtro y la jarra con agua caliente y algo de detergente líquido.

7 Solicitud de accesorios

Para comprar accesorios o piezas de repuesto, visite www.shop.philips.com/service o acuda a su distribuidor de Philips. También puede ponerse en contacto con el Servicio de Atención al Cliente de Philips en su país (consulte el folleto de garantía mundial para encontrar los datos de contacto).

8 Medio ambiente

- Al final de su vida útil, no tire el aparato junto con la basura normal del hogar: Llévelo a un punto de recogida oficial para su reciclado. De esta manera ayudará a conservar el medio ambiente (fig. 37).

9 Garantía y asistencia

Si necesita asistencia o información, visite www.philips.com/support o lea el folleto de garantía mundial independiente.

10 Guía de resolución de problemas

En este capítulo se resumen los problemas más frecuentes que pueden surgir con el aparato. Si no puede resolver el problema con la siguiente información, visite www.philips.com/support para consultar una lista de preguntas más frecuentes o póngase en contacto con el Servicio de Atención al Cliente en su país.

El aparato no funciona.

- Compruebe que el voltaje indicado en el aparato se corresponde con el voltaje de red local.
- Llene el depósito de agua.

Cuando utilizo el molinillo, el café es demasiado flojo.

- Asegúrese de que el número de tazas que ha seleccionado con el botón de 4-10 tazas coincide con la cantidad de agua del depósito. Tenga presente que la cafetera utiliza toda el agua del depósito.
- Utilice el botón de intensidad STRENGTH para seleccionar la intensidad de café "strong" (intenso).
- Cuando utiliza granos de café, asegúrese de que no pulsa el botón de café molido previamente, ya que apaga el molinillo.
- Utilice granos de café de una mezcla o sabor más fuertes.
- Para aumentar la intensidad de café, seleccione con el botón de 4-10 tazas un número mayor de tazas que el número con el que ha rellenado el depósito de agua.

Cuando utilizo café molido previamente, el café es demasiado flojo.

- Asegúrese de que la cantidad de café molido previamente en el filtro coincide con la cantidad de agua del depósito. Tenga presente que el aparato utiliza toda el agua del depósito.
- Utilice café molido de una mezcla o un sabor más intensos.
- Para aumentar la intensidad de café, aumente la cantidad de café molido previamente o disminuya la cantidad de agua.

El café rebosa por el filtro cuando retiro la jarra del aparato mientras se está preparando café.

- Si retira la jarra durante más de 20 segundos durante el proceso de preparación de café, la función antigoteo hará que la cesta del filtro rebosa. Tenga en cuenta también que el café no alcanza la plenitud de su sabor hasta que no acaba el proceso de preparación. Por lo tanto, le aconsejamos no retirar la jarra y servir el café antes de que acabe el proceso de preparación.

El aparato seguirá goteando durante bastante tiempo después de finalizar el proceso de preparación del café.

- El goteo se produce por la condensación del vapor. Es completamente normal que el aparato gotee un rato.
- Si el goteo no cesa, puede que el sistema antigoteo esté obstruido. Para limpiar el sistema antigoteo, pulse el botón OPEN del lado derecho del aparato para abrir el soporte de la cesta del filtro. Saque la cesta del filtro. A continuación, enjuague la cesta del filtro y el sistema antigoteo bajo el grifo.
- Si retira la jarra durante más de 20 segundos durante el proceso de preparación de café, la función antigoteo hará que la cesta del filtro rebosa.

El café no está lo suficientemente caliente.

- Caliente previamente la jarra con agua caliente antes de preparar café.
- El café de la jarra se enfría más rápido si prepara solo unas pocas tazas. El café se mantiene caliente durante más tiempo si prepara 10 tazas, lo que corresponde a una jarra llena.
- Utilice tazas finas, ya que absorben menos calor que las tazas gruesas.
- No utilice leche directamente del frigorífico.
- Elimine los depósitos de cal del aparato. Consulte la sección "Eliminación de los depósitos de cal" en el capítulo "Limpieza y mantenimiento".

1 Johdanto

Onnitelut ostoksestasi ja tervetuloa Philips-tuotteiden käyttäjäksi! Hyödynnä Philipsin tuki ja rekisteröi tuotteesi osoitteessa www.philips.com/welcome.

2 Yleiskuvaus (Kuva 1)

- 1 Suodatinkori
- 2 Tippalukko
- 3 Kahvipapukuilun lukko
- 4 Jauhatuksen valintasäädin
- 5 Näyttö
- 6 STRENGTH-painike
- 7 4–10 kupin painike
- 8 Suodatinkorin teline
- 9 Termoskannun kansi
- 10 Termoskannu
- 11 Valuma-aukko
- 12 Vesisäiliö, jossa on vedenpinnan tason tarkistusikkuna
- 13 HOUR-painike
- 14 PROGRAM-painike
- 15 MINUTE-painike
- 16 Suodatinkorin telineen avauspainike
- 17 Käynnistys-/valmiustilapainike
- 18 Valmiiksi jauhetun kahvin painike
- 19 Höyryaukko
- 20 Kahvipapukuilun kansi
- 21 Vesisäiliön kansi
- 22 Kahvipapusäiliö
- 23 Kahvipapusäiliön kansi
- 24 Puhdistusharja

3 Tärkeää

Lue tämä käyttöopas huolellisesti ennen käyttöä ja säilytä se myöhempiä tarvetta varten.

3.1 Vaara

- Älä upota laitetta veteen tai muuhun nesteeseen. Älä myöskään huuhtele sitä vesihanan alla.

3.2 Varoitus

- Tarkista, että laitteen pohjassa oleva jännitemerkintä vastaa paikallista verkkojännitettä, ennen kuin liität laitteen sähköverkkoon.
- Jos virtajohto on vahingoittunut, se on oman turvallisuutesi vuoksi hyvä vaihdattaa Philipsin valtuuttamassa huoltoliikkeessä tai muulla ammattitaitoisella korjaajalla.
- Laitetta voivat käyttää myös yli 8-vuotiaat lapset ja henkilöt, joiden fyysinen tai henkinen toimintakyky on rajoittunut tai joilla ei ole kokemusta tai tietoa laitteen käytöstä, jos heitä on neuvottu laitteen turvallisesta käytöstä tai tarjolla on turvallisen käytön edellyttämä valvonta ja jos he ymmärtävät laitteeseen liittyvät vaarat. Lasten ei pidä leikkiä laitteella. Lasten ei saa antaa puhdistaa tai huoltaa laitetta ilman valvontaa.
- Lasten ei pidä leikkiä laitteella.
- Pidä virtajohto poissa lasten ulottuvilta. Älä jätä virtajohtoa roikkumaan pöydän tai työpöydän reunan yli.
- Älä koske laitteen jauhimiin, kun laite on liitetty pistorasiaan.
- Laitteen pakkausmateriaalit (kuten muovipussit ja pahvipakkaukset) eivät ole leikkikaluja. Pidä ne poissa lasten ulottuvilta.
- Älä koske kuumiin pintoihin laitteen ollessa päällä.

- Laite on tarkoitettu kahvipapujen jauhatukseen ja kahvin valmistukseen. Ole varovainen käyttäessäsi laitetta, sillä kuuma vesi ja höyry voivat aiheuttaa palovammoja.
- Älä käytä laitetta, jos pistoke, johto tai itse laite on vaurioitunut.
- Jos et voi ratkaista ongelmatilannetta tämän käyttöohjeen ohjeiden avulla, ota yhteyttä Philipsin kuluttajapalvelukeskukseen. Jos ongelmaa ei voi ratkaista, toimita laite tutkittavaksi tai korjattavaksi Philipsin valtuuttamaan huoltoliikkeeseen. Jos yrität korjata laitetta itse, sen takuu mitätöityy.
- Kun termoskannu on täynnä kahvia, pidä se pystyasennossa, jotta se ei vuoda.
- Laitteen alaosa ja termoskannun pohja kuumenevat kahvin valmistuksen aikana.
- Kun olet poistanut laitteen pakkauksesta, varmista, että laite on ehjä ja kaikki osat ovat tallella. Jos et ole varma laitteen toiminnasta, älä käytä laitetta, vaan ota yhteyttä Philipsin kuluttajapalvelukeskukseen.
- Tämä laite on tarkoitettu vain tavalliseen kotitalouskäyttöön. Sitä ei ole tarkoitettu käytettäväksi henkilökuntaruokaloissa myymälöissä, toimistoissa, maataloilla tai muissa työympäristöissä. Sitä ei ole myöskään tarkoitettu hotellien tai muiden majoitusliikkeiden vieraiden käyttöön.

3.3 Varoitus

- Älä aseta laitetta kuumalle alustalle ja pidä huoli, ettei virtajohto kosketa mitään kuumaa pintaa.
- Irrota pistoke pistorasiasta ennen laitteen puhdistamista tai jos suodatuksen tai jauhamisen aikana ilmenee ongelmia.
- Älä siirrä laitetta käytön aikana.
- Anna laitteen jäähtyä ennen kuin laitat laitteen säilytykseen. Laite saattaa olla kuuma.
- Älä pura termoskannua osiin.
- Älä upota termoskannua veteen tai muuhun nesteeseen, ettei kannun sisä- ja ulkokuoren väliin pääse nestettä.
- Termoskannua ei saa pestä astianpesukoneessa.

3.4 Sähkömagneettiset kentät (EMF)

Tämä Philips-laite vastaa kaikkia, sähkömagneettisia kenttiä (EMF) koskevia standardeja. Jos laitetta käytetään oikein ja tämän käyttöohjeen ohjeiden mukaisesti, sen käyttäminen on turvallista tämänhetkisen tutkimustiedon perusteella.

4 Käyttöönotto

4.1 Kellonajan asettaminen

- 1 Työnnä pistoke pistorasiaan.
 - *Käynnistys-/valmiustilapainikkeeseen syttyy valo.*
- 2 Paina käynnistys-/valmiustilapainiketta (Kuva 2).
 - *Näytön merkkivalot syttyvät, ja laitteesta kuuluu kaksi merkkiääntä.*

Huomautus:

Jos et paina mitään painiketta 5 minuuttiin, laite siirtyy valmiustilaan. Tällöin näyttö sammuu ja vain käynnistys-/valmiustilapainikkeen valo palaa osoittaen, että laitteeseen on edelleen kytketty virta. Voit aktivoida laitteen painamalla valmiustilassa mitä tahansa painiketta.

- **Näytössä vilkkuu luku 12:00 osoituksena siitä, että kellonaika on asetettava. (Kuva 3)**

3 Määritä tunti painamalla toistuvasti HOUR-painiketta (Kuva 4).

- **Laite antaa äänimerkin aina, kun painiketta painetaan.**

4 Määritä minuutit painamalla toistuvasti MINUTE-painiketta. (Kuva 5)

- **Laite antaa äänimerkin aina, kun painiketta painetaan.**

5 Näytössä näkyy määritetty kellonaika. Kahvinkeitin on käyttövalmis.

4.2 Laitteen huuhtelu

Huuhtele kahvinkeitin ennen ensimmäistä käyttöä.

1 Avaa vesisäiliön kansi. Täytä vesisäiliö raikkaalla, kylmällä vedellä **enintään 10 kupin merkkiin asti (Kuva 6)**.

Huomautus:

Älä aseta kahvipapuja tai kahvijauhetta laitteeseen.

2 Sulje vesisäiliön kansi.

3 Aseta termoskannu laitteeseen (Kuva 7).

Huomautus:

Varmista, että kannussa on kansi päällä ja kannen nuoli on suljettu/suodatussymbolin kohdalla (katso luvun Käyttö kohta Kahvipapujen käyttö). Varmista myös, että kannu on paikallaan laitteessa. Kaatonokan on oltava kohtisuorassa laitteeseen päin. Jos kannussa ei ole kantta tai kannua ei ole asetettu oikein laitteeseen, tippalukko aktivoituu automaattisesti (katso luvun Käyttö kohta Tippalukkotoiminto).

4 Paina käynnistys-/valmiustilapainiketta (Kuva 2).

- **Laitteesta kuuluu äänimerkki, ja näyttöön syttyy valo.**

5 Sammuta kahvimylly painamalla valmiiksi jauhetun kahvin painiketta (Kuva 8).

- **Valmiiksi jauhetun kahvin painikkeeseen syttyy valo.**

Huomautus:

Kun sammutat kahvimyllyn, kuppien määrä ja valvuusasetukset eivät näy näytössä.

6 Käynnistä suodatus käynnistys-/valmiustilapainikkeella (Kuva 9).

- **Tuoreuden merkkivalo vilkkuu nopeasti näytössä, kunnes suodatus on valmis.**
- **Kahvinkeitimestä kuuluu viisi äänimerkkiä, kun suodatus on valmis.**

7 Tyhjennä kannu.

5 Käyttö

5.1 Vesisäiliön täyttäminen

1 Avaa vesisäiliön kansi ja kaada vesisäiliöön tarvittava määrä kylmää vettä. (Kuva 6) Laitteen vedenpinnan tason tarkistusikkunassa on merkinnät 4–10 kupille (550–1375 ml). Pystyt arvioimaan vesisäiliöön laitettavan veden määrän käyttämällä näitä merkkejä. Muista, että valmista kahvia on hieman vähemmän, sillä kahvijauhe imee vettä.

Huomautus: (Kuva 10)

Älä täytä vesisäiliötä 10 kupin merkin yli, sillä vesi voi valua yli takana olevasta aukosta.

5.2 Kahvipapujen käyttö

Varoitus:

Älä laita espressokahvipapuja kahvipapusäiliöön. Käytä ainoastaan tavallisia kahvipapuja.

Varoitus:

Pidä vesisäiliön kansi suljettuna, kun täytät kahvipapusäiliön kahvipapuilla, jotta kahvipavut eivät putoa vesisäiliöön ja tuki vedentäyttöaukkoa.

- 1 Avaa suodatinkorin teline painamalla OPEN-painiketta kahvinkeitin oikealla puolella. (Kuva 11)
- 2 Aseta suodatinpaperi (nro 4) tai kestosuodatin suodatinkoriin. (Kuva 12)
- 3 Sulje suodatinkorin teline.
- 4 Käännä kannun kansi suljettu/suodatus-asentoon. Tässä asennossa kannen nuoli osoittaa kannun reunan suljettu/suodatus-symbolia (Kuva 13).
- 5 Aseta kannu laitteeseen.

Vinkki:

Kahvi säilyy kuumana pidempään, kun lämmität kannun kuumalla vedellä ennen kahvin valmistusta.

- 6 Irrota kahvipapusailiön kansi (1) ja täytä säiliö kahvipavuilla (2). Varmista, että säiliössä on tarpeeksi kahvipapuja haluamasi kahvimäärän keittämiseen (Kuva 14).

Huomautus:

Varmista aina, että kahvipapusailiö on ainakin puolillaan.

Varoitus:

Kahvipapusailiöön mahtuu enintään 250 grammaa kahvipapuja. Älä ylitä tätä määrää, jotta kahvimylly ei jumiuudu.

Varoitus:

Älä käytä paahattamatonta kahvia tai sokeroituja papuja, jotta kahvimylly ei jumiuudu.

- 7 Valitse haluamasi jauhatus kääntämällä jauhatuksen valintasäädintä (hieno–karkea). Laitteessa on yhdeksän jauhatusasetusta (Kuva 15).

Vinkki:

Kokeilemalla eri karkeusasetuksia saat selville, millä asetuksella saat mieleistäsi kahvia.

- 8 Valitse kupillisten määrä painamalla 4–10 kupin painiketta niin monta kertaa, että näytössä näkyy haluttu määrä kupillisia (Kuva 16).

- *Kun painat 4–10 kupin painiketta, siihen syttyy hetkeksi valo ja laite antaa äänimerkin.*
- *Kuppien määrä ilmestyy näyttöön.*

Huomautus:

Varmista, että 4–10 kupin painikkeella valitsemiesi kupillisten määrä vastaa vesisäiliössä olevan veden määrää. Muista, että kahvinkeitin käyttää kaiken vesisäiliössä olevan veden. Jos valitset vähemmän kupillisia kuin vettä, kahvista tulee aiottua laihempaa.

- 9 Paina STRENGTH-painiketta kerran tai useita kertoja, kunnes haluttu kahvin vahvuus on valittuna (mieto, keskivahva tai vahva) (Kuva 17).

- *Kun painat STRENGTH-painiketta, siihen syttyy hetkeksi valo ja laite antaa äänimerkin.*
- *Näytössä näkyy valittu kahvin vahvuus.*

- 10 Paina käynnistys-/valmiustilapainiketta (Kuva 18).

- *Laitteesta kuuluu äänimerkki, ja näyttöön syttyy valo.*

- 11 Käynnistä suodatus painamalla uudelleen käynnistys-/valmiustilapainiketta (Kuva 19).

Varoitus:

Älä mene höyryaukon lähelle suodatuksen aikana, sillä kuumaa höyryä tulee ulos aukon kautta.

- *Kahvimylly jauhaa tarvittavan määrän kahvipapuja.*
- *Tuoreuden merkkivalo vilkkuu nopeasti näytössä, kunnes suodatus on valmis.*
- *Kahvinkeitimestä kuuluu viisi äänimerkkiä, kun suodatus on valmis.*

- 12 Odota, kunnes kahvinkeitimestä ei enää kuulu äänimerkkejä, ennen kuin poistat kannun.

Huomautus:

Suodatuksen jälkeen kahvipisaroita tippuu suodatinkorista muutamien sekuntien ajan.

- *Tuoreuden merkkivalo vilkkuu hitaasti näytössä 30 minuutin ajan suodatuksen jälkeen. Se ilmaisee, että kahvi on tuoretta. (Kuva 20)*

- 13** Kierrä kansi kaato-asentoon ja voit kaataa kahvia. Tässä asennossa kannen nuoli osoittaa kannun reunan kaato-symbolia (Kuva 21).

Huomautus:

Kahvi pysyy kuumana, kun suljet kannen aina kahvin kaatamisen jälkeen.

5.3 Valmiiksi jauhetun kahvin käyttö

Jos haluat käyttää valmista kahvijauhetta kahvipapujen sijasta, noudata seuraavia ohjeita.

- 1** Noudata kohdassa Kahvipapujen käyttö vaiheissa 1–2 annettuja ohjeita.
- 2** Annostele kahvijauhe suodatinpaperiin.

Huomautus:

Käytettävän kahvijauheen määrä on makuasia. Kupilliseen (125 ml) keskivahvaa kahvia voi käyttää yhden mittalusikallisen (noin 6 g) kahvijauhetta.

- 3** Sulje suodatinkorin teline.
- 4** Käännä kannun kansi vivun avulla kannessa olevan suljettu/suodatus-symbolin kohdalle. Aseta kannu laitteeseen.
- 5** Paina käynnistys-/valmiustilapainiketta.
- *Laitteesta kuuluu äänimerkki, ja näyttöön syttyy valo.*
- 6** Sammuta kahvimylly painamalla valmiiksi jauhetun kahvin painiketta (Kuva 8).
- *Painikkeeseen syttyy valo, kun painat sitä.*

Huomautus:

Kun sammutat kahvimyllyn, kupprien määrä ja vahvuusasetukset eivät näy näytössä.

- 7** Noudata kohdassa Kahvipapujen käyttö vaiheissa 11–13 annettuja ohjeita.

5.4 Ajan asettaminen

Ajastimella voit ohjelmoida kahvinvalmistuksen ajankohdan etukäteen.

- 1** Pidä PROGRAM-painike painettuna, kunnes painike alkaa vilkkua ja näytössä näkyy luku 0:00 (Kuva 22).
- 2** Määritä tunti painamalla toistuvasti HOUR-painiketta. (Kuva 23)
- *Laitte antaa äänimerkin aina, kun painiketta painetaan.*
- 3** Määritä minuutit painamalla toistuvasti MINUTE-painiketta. (Kuva 24)
- *Laitte antaa äänimerkin aina, kun painiketta painetaan.*
 - *Ajastettu aika näkyy näytössä.*
- 4** Valitse, kuinka monta kupillista haluat keittää. (Kuva 25)
- 5** Valitse haluamasi kahvin vahvuus (mieto, keskivahva tai vahva). (Kuva 26)
- 6** Tallenna asetukset painamalla PROGRAM-painiketta. (Kuva 27)
- *PROGRAM-painikkeen valo palaa yhtäjaksoisesti.*
 - *Kellonaika ilmestyy näyttöön.*
- 7** Keskeytä ohjelmointi painamalla PROGRAM-painiketta uudestaan.
- *PROGRAM-painikkeen valo sammuu.*

Huomautus:

Jos haluat muuttaa jo ajastettua aikaa, paina PROGRAM-painiketta. PROGRAM-painikkeen merkkivalo alkaa vilkkua uudestaan. Voit nyt ajastaa uuden ajan painamalla HOUR- ja MINUTE-painikkeita.

Huomautus:

Jos haluat käyttää kahvin valmistamiseen kahvijauhetta, sammuta ensin kahvimylly painamalla valmiiksi jauhetun kahvin painiketta ja valitse sitten, kuinka monta kupillista haluat keittää.

5.5 Tippalukkotoiminto

Tippalukon ansiosta voit ottaa kannun kahvinkeittimestä ennen kuin kahvi on suodatettu kokonaan. Kun otat kannun, tippalukko estää kahvia valumasta.

Huomautus:

Suodatus ei keskeydy, kun otat kannun pois. Jos et laita kannua takaisin laitteeseen 20 sekunnin kuluessa, kahvi valuu suodatinkorista yli.

6 Puhdistus ja hoito

6.1 Laitteen puhdistus jokaisen käytön jälkeen

Varoitus:

Älä upota laitetta veteen tai muuhun nesteeseen. Älä myöskään huuhtele sitä vesihanalla.

- 1** Irrota pistoke pistorasiasta.
- 2** Pyyhi kahvinkeittimen ulkopuoli kostealla liinalla.
- 3** Puhdista suodatinkori kuumalla vedellä ja muutamalla tipalla astianpesuainetta.

6.2 Kahvipapukuilun puhdistus

Kahvipapukuilu on puhdistettava joka viikko tai joka toinen viikko sen mukaan, kuinka usein laitetta käytetään.

- 1** Työnnä pistoke pistorasiaan.
- 2** Paina käynnistys-/valmiustilapainiketta (Kuva 2).
 - **Näytön merkkivalot syttyvät.**
- 3** Paina käynnistys-/valmiustilapainiketta ja irrota pistoke pistorasiasta.
- 4** Aseta puhdistusharjan varren tasainen osa kahvipapukuilun lukkoon ja kierrä lukko auki-asettoon. (Kuva 28)
- 5** Avaa kahvipapukuilun kansi (Kuva 29).
- 6** Harjaa kahvijauheen jäämät kuilun alaosaan puhdistusharjalla (Kuva 30).

Vinkki:

Aseta suodatinpaperi suodatinkoriin ja kerää kahvijauheen jäämät sinne.

- **Kahvijauheen jäämät putoavat suodatinkoriin.**

7 Sulje kahvipapukuilun kansi ja kierrä lukko kiinni-asettoon (Kuva 31).

8 Poista suodatinpaperi, jossa on kahvijauheen jäämät, ja heitä se pois.

6.3 Termoskannun puhdistaminen

Varoitus:

Älä upota termoskannua veteen tai muuhun nesteeseen äläkä pese sitä astianpesukoneessa.

- Poista kannun kansi kääntämällä sitä kannen vivusta irrota kansi -symbolin kohdalle. Vedä kansi sitten irti (Kuva 32).
- Pese kannu sisältä pehmeällä harjalla, lämpimällä vedellä ja muutamalla tipalla astianpesuainetta (Kuva 33).

Vinkki:

Pinttyneet tahrat voit poistaa täyttämällä kannun kuumalla vedellä ja lisäämällä veteen lusikallisen ruokasoodaa. Anna soodan vaikuttaa jonkin aikaa.

- Huuhtele kannu pesun jälkeen puhtaalla, kuumalla vedellä (Kuva 34).
- Laita kannun kansi paikalleen asettamalla siinä olevat ulkonemat kannun suun koloihin. Käännä kantta sitten oikealle suljettu/suodatus-symbolin kohdalle. (Kuva 35)

6.4 Kalkinpoisto kahvinkeittimestä

Kun ilmoitus CALC näkyy näytössä (noin 60 suodatuskerran jälkeen), poista kalkki kahvinkeittimestä, koska se voi tukkia laitteen. Säännöllinen kalkinpoisto pidentää kahvinkeittimen käyttöikää ja takaa ihanteelliset tulokset. Poista kalkki kahvinkeittimestä seuraavasti:

- 120 suodatuksen välein, jos käytät pehmeää vettä (enintään 18 dH).
- 60 suodatuksen välein, jos käytät kovaa vettä (yli 18 dH).

Voit selvittää paikallisen veden kovuuden tarvittaessa vesilaitokselta.

Huomautus:

Jos et tiedä asuinalueesi veden kovuutta, etkä voi ottaa yhteyttä vesilaitokseen, suosittelemme, että poistat kalkin laitteesta aina, kun CALC-ilmoitus tulee näkyviin.

Huomautus:

Poista CALC-ilmoitus näytöstä painamalla 4–10 kupin painiketta ja STRENGTH-painiketta samanaikaisesti.

- 1 Avaa vesisäiliön kansi.
- 2 Täytä vesisäiliö 7 kupillisella ruokaetikkaa (5 % etikkaa) ja 3 kupillisella vettä (Kuva 36).
- 3 Aseta suodatinpaperi (nro 4) suodatinkoriin ja sulje suodatinkorin teline.
- 4 Aseta tyhjä kannu laitteeseen (Kuva 7).
- 5 Työnnä pistoke pistorasiaan.
- 6 Paina käynnistys-/valmiustilapainiketta (Kuva 2).
- 7 Sammuta kahvinyly painamalla valmiiksi jauhetun kahvin painiketta. Käynnistä sitten suodatus painamalla käynnistys-/valmiustilapainiketta. (Kuva 8)
- 8 Odota, kunnes puolet etikka-vesiliuoksesta on valunut kannuun. Keskeytä sitten suodatus painamalla käynnistys-/valmiustilapainiketta ja anna liuoksen vaikuttaa vähintään 15 minuuttia.
- 9 Käynnistä kahvinkeitin uudelleen painamalla käynnistys-/valmiustilapainiketta ja anna laitteen suodattaa loput etikka-vesiliuoksesta.
- 10 Tyhjennä kannu ja heitä suodatinpaperi pois.

- 11 Aloita toinen suodatus täyttämällä vesisäiliö kylmällä vedellä ja painamalla käynnistys-/valmiustilapainiketta. Anna kahvinkeittimen suodattaa koko vesimäärä ja tyhjennä sitten kannu.
- 12 Toista vaihetta 12, kunnes vesi ei enää maistu eikä haise etikalle.
- 13 Puhdista suodatinkori ja kannu kuumalla vedellä ja muutamalla tipalla astianpesuainetta.

7 Tarvikkeiden tilaaminen

Voit ostaa lisävarusteita ja varaosia osoitteessa www.shop.philips.com/service tai Philips-jälleenmyyjältä. Voit myös ottaa yhteyden Philipsin kuluttajapalvelukeskukseen (katso yhteystiedot kansainvälisestä takuulehtisestä).

8 Ympäristöasiaa

- Älä hävitä vanhoja laitteita tavallisen talousjätteen mukana, vaan toimita ne valtuutettuun kierrätyspisteeseen. Näin autat vähentämään ympäristölle aiheutuvia haittavaikutuksia (Kuva 37).

9 Takuu ja tuki

Jos haluat tukea tai lisätietoja, käy Philipsin verkkosivuilla osoitteessa www.philips.com/support tai lue erillinen kansainvälinen takuulehtinen.

10 Vianmääritys

Tähän osaan on koottu tavallisimmat laitteen käytössä ilmenevät ongelmat. Ellet löydä ongelmaasi ratkaisua seuraavista tiedoista, lue osoitteesta www.philips.com/support vastauksia usein kysytyihin kysymyksiin tai ota yhteys oman maasi kuluttajapalvelukeskukseen.

Laite ei toimi.

- Varmista, että laitteen jännitemerkintä vastaa paikallista verkkojännitettä.
- Täytä vesisäiliö vedellä.

Kun käytän kahvimyllyä, kahvi on liian mietoa.

- Varmista, että 4–10 kupin painikkeella valitsemiesi kupillisten määrä vastaa vesisäiliössä olevan veden määrää. Muista, että kahvinkeitin käyttää kaiken vesisäiliössä olevan veden.
- Aseta kahvin vahvuudeksi vahva käyttämällä STRENGTH-painiketta.
- Käyttäessäsi kahvipapuja varmista, ettet paina valmiiksi jauhetun kahvin painiketta, sillä se kytkee kahvimyllyn pois käytöstä.
- Käytä vahvempia kahvipapuja.
- Lisää kahvin vahvuutta valitsemalla 4–10 kupin painikkeella suurempi kupillisten määrä suhteessa vesisäiliöön laittamaasi vesimäärään.

Kun käytän kahvijauhetta, kahvi on liian mietoa.

- Varmista, että kahvijauheen määrä suodattimessa vastaa vesisäiliössä olevan veden määrää. Muista, että laite käyttää kaiken vesisäiliössä olevan veden.
- Käytä vahvempaa kahvijauhetta.
- Lisää kahvin vahvuutta lisäämällä kahvijauheen määrää tai vähentämällä veden määrää.

Kahvi valuu suodattimesta yli, kun kannu poistetaan laitteesta suodatuksen aikana.

- Jos poistat kannun keittimestä yli 20 sekunniksi suodatuksen aikana, tippalukko aiheuttaa sen, että suodatinkori täyttyy ja valuu yli. Huomioi myös, että kahvin täyteläinen maku muodostuu vasta suodatuksen loppuvaiheessa. Siksi kannua ei kannata poistaa ja kahvia kaataa kuppiin, ennen kuin suodatus on valmis.

Laitteesta tippuu kahvia pitkään suodatuksen jälkeen.

- Tippuminen johtuu höyryn tiivistymisestä. On normaalia, että kahvिसarointa tippuu jonkin aikaa.
- Jos tippuminen jatkuu, tippalukko voi olla tukossa. Puhdista tippalukko painamalla laitteen oikealla puolella olevaa OPEN-painiketta, joka avaa suodatinkorin telineen. Irrota suodatinkori. Huuhtele sitten suodatinkori ja tippalukko juoksevilla vedellä.
- Jos nostat kannun keittimestä yli 20 sekunniksi suodatuksen aikana, tippalukko aiheuttaa sen, että suodatinkori täyttyy ja valuu yli.

Kahvi ei ole tarpeeksi kuumaa.

- Lämmitä kannu kuumalla vedellä ennen kahvin valmistamista.
- Kahvi jäähtyy kannussa nopeammin, jos valmistat vain muutaman kupillisen kahvia. Kahvi säilyy kuumana pidempään, jos keität 10 kupillista eli täyden kannun kahvia.
- Käytä ohuita kahvikuppeja, jotka haihduttavat kahvista vähemmän lämpöä kuin paksut kupit.
- Älä käytä suoraan jääkaapista otettua maitoa.
- Poista kalkki laitteesta. Katso kohta Kalkinpoisto luvussa Puhdistus ja huolto.

1 Introduction

Félicitations pour votre achat et bienvenue dans l'univers Philips ! Pour profiter pleinement de l'assistance Philips, enregistrez votre produit sur le site à l'adresse suivante : www.philips.com/welcome.

2 Description générale (fig. 1)

- 1 Porte-filtre
 - 2 Système stop-goutte
 - 3 Verrou du bac à grains
 - 4 Bouton de sélection de la mouture
 - 5 Afficheur
 - 6 Bouton STRENGTH
 - 7 Bouton pour 4-10 tasses
 - 8 Support pour porte-filtre
 - 9 Couvercle pour verseuse isotherme
 - 10 Verseuse isotherme
 - 11 Écoulement du trop-plein
 - 12 Réservoir d'eau avec indicateur du niveau d'eau
 - 13 Bouton HOUR
 - 14 Bouton PROGRAM
 - 15 Bouton MINUTE
 - 16 Bouton OPEN du support pour porte-filtre
 - 17 Bouton marche/arrêt, marche/veille
 - 18 Bouton de mouture du café
 - 19 Événements à vapeur
 - 20 Couvercle du bac à grains
 - 21 Couvercle du réservoir d'eau
 - 22 Bac à grains
 - 23 Couvercle du bac à grains
 - 24 Brossette de nettoyage
-

3 Important

Lisez attentivement ce mode d'emploi avant d'utiliser l'appareil et conservez-le pour un usage ultérieur.

3.1 Danger

- Ne plongez jamais l'appareil dans l'eau, ni dans d'autres liquides et ne le rincez pas sous le robinet.
-

3.2 Avertissement

- Avant de brancher l'appareil, vérifiez que la tension indiquée sur la base correspond à la tension secteur locale.
- Si le cordon d'alimentation est endommagé, il doit être remplacé par Philips, par un Centre Service Agréé Philips ou par un technicien qualifié afin d'éviter tout accident.
- Cet appareil peut être utilisé par des enfants âgés de 8 ans ou plus, des personnes dont les capacités physiques, sensorielles ou intellectuelles sont réduites ou des personnes manquant d'expérience et de connaissances, à condition que ces enfants ou personnes soient sous surveillance ou qu'ils aient reçu des instructions quant à l'utilisation sécurisée de l'appareil et qu'ils aient pris connaissance des dangers encourus. Les enfants ne doivent pas jouer avec l'appareil. Le nettoyage et l'entretien ne doivent pas être réalisés par des enfants sans surveillance.
- Les enfants ne doivent pas jouer avec l'appareil.
- Maintenez le cordon d'alimentation hors de portée des enfants. Ne le laissez pas dépasser de la table ou du plan de travail sur lequel l'appareil est posé.
- Ne touchez pas aux meules de l'appareil, surtout lorsque ce dernier est branché.

- Les emballages (sacs en plastique, cartons de protection, etc.) ne sont pas des jouets. Tenez-les hors de portée des enfants.
- Ne touchez pas les surfaces chaudes de l'appareil pendant son fonctionnement.
- Cet appareil est conçu pour moulinner des grains de café et préparer du café. Respectez les consignes d'utilisation et manipulez l'appareil avec précaution pour éviter les brûlures dues à l'eau chaude et à la vapeur.
- N'utilisez jamais l'appareil si la prise, le cordon d'alimentation ou l'appareil lui-même est endommagé.
- Si vous ne parvenez pas à résoudre le problème à l'aide de ce manuel d'utilisation, contactez le Service Consommateurs Philips de votre pays. Si le problème persiste, confiez votre appareil à un Centre Service Agréé Philips pour vérification ou réparation. N'essayez jamais de réparer l'appareil vous-même ; toute intervention par des personnes non qualifiées entraîne l'annulation de la garantie.
- Ne déplacez pas l'appareil en cours d'utilisation.
- Attendez que l'appareil ait refroidi avant de le ranger. L'appareil peut être brûlant.
- Ne démontez pas la verseuse isotherme.
- Ne plongez jamais la verseuse isotherme dans l'eau ou dans tout autre liquide afin d'éviter des infiltrations d'eau entre les parois de la verseuse.
- La verseuse isotherme ne peut pas être nettoyée au lave-vaisselle.
- Lorsque la verseuse isotherme est remplie de café, maintenez-la en position verticale pour éviter toute fuite.
- La partie inférieure de l'appareil et le fond de la verseuse isotherme sont très chauds pendant la préparation du café.
- Une fois l'appareil déballé, vérifiez qu'il n'est pas endommagé et qu'il ne manque aucune pièce. En cas de doute, n'utilisez pas l'appareil et contactez le Service Consommateurs Philips de votre pays.
- Cet appareil est destiné à un usage domestique normal uniquement. Il n'est pas destiné à être utilisé dans des environnements tels que des cuisines destinées aux employés dans les entreprises, magasins et autres environnements de travail. Il n'est pas non plus destiné à être utilisé par des clients dans des hôtels, motels, chambres d'hôtes et autres environnements résidentiels.

3.3 Attention

- Ne posez jamais l'appareil sur une surface chaude et veillez à ce que le cordon d'alimentation ne soit pas en contact avec des surfaces chaudes.
- Débranchez toujours l'appareil en cas de problème lors de son fonctionnement et avant de le nettoyer.

3.4 Champs électromagnétiques (CEM)

Cet appareil Philips est conforme à toutes les normes relatives aux champs électromagnétiques (CEM). Il répond aux règles de sécurité établies sur la base des connaissances scientifiques actuelles s'il est manipulé correctement et conformément aux instructions de ce mode d'emploi.

4 Avant la première utilisation

4.1 Réglage de l'heure

1 Branchez le cordon d'alimentation sur la prise secteur.

- *Le bouton marche/veille s'allume.*

2 Appuyez sur le bouton marche/veille (fig. 2).

- *L'afficheur s'allume et l'appareil émet deux signaux sonores.*

Remarque :

Si vous n'appuyez sur aucun bouton dans les 5 minutes, l'appareil passe en mode veille. Dans ce cas, l'afficheur s'éteint et seul le bouton marche/veille reste allumé pour indiquer que l'appareil est toujours allumé. En mode veille, vous pouvez appuyer sur n'importe quel bouton pour réactiver l'appareil.

- *Sur l'afficheur, « 12:00 » clignote pour indiquer que vous devez régler l'heure. (fig. 3)*

3 Appuyez sur le bouton HOUR à plusieurs reprises pour régler l'heure (fig. 4).

- *L'appareil émet un signal sonore chaque fois que vous appuyez sur le bouton.*

4 Appuyez sur le bouton MINUTE à plusieurs reprises pour régler les minutes. (fig. 5)

- *L'appareil émet un signal sonore chaque fois que vous appuyez sur le bouton.*

5 L'heure définie apparaît sur l'afficheur. La cafetière est prête à l'emploi.

4.2 Rinçage de l'appareil

Rincez la cafetière avant sa première utilisation.

1 Soulevez le couvercle du réservoir d'eau.

Remplissez le réservoir avec de l'eau froide **jusqu'à l'indication 10 tasses.** (fig. 6)

Remarque :

Ne mettez pas de grains de café ou de café moulu dans l'appareil.

2 Fermez le couvercle du réservoir d'eau.

3 Placez la verseuse isotherme dans l'appareil (fig. 7).

Remarque :

Assurez-vous que vous avez placé le couvercle de la verseuse sur la verseuse isotherme et que la flèche du couvercle pointe vers le symbole « Fermé/Préparation » (voir le chapitre « Utilisation de l'appareil », section « Utilisation avec des grains de café »). Assurez-vous également que la verseuse isotherme est placée correctement dans l'appareil. Son bec verseur doit être orienté vers l'intérieur de l'appareil. Si le couvercle n'a pas été placé sur la verseuse isotherme ou si celle-ci n'a pas été placée correctement dans l'appareil, la fonction stop-goutte est automatiquement activée (voir le chapitre « Utilisation de l'appareil », section « Fonction stop-goutte »).

4 Appuyez sur le bouton marche/veille (fig. 2).

- *L'appareil émet un signal sonore et l'afficheur s'allume.*

5 Appuyez sur le bouton de mouture du café pour désactiver le moulin à café (fig. 8).

- *Le bouton de mouture du café s'allume.*

Remarque :

Lorsque le moulin est désactivé, le nombre de tasses et le niveau d'intensité ne s'affichent pas.

6 Appuyez sur le bouton marche/veille pour lancer le cycle de préparation (fig. 9).

- *Le voyant de fraîcheur clignote rapidement sur l'afficheur tant que le cycle de préparation n'est pas terminé.*
- *La cafetière sonne 5 fois lorsque le cycle de préparation est terminé.*

7 Videz la verseuse.

5 Utilisation de l'appareil

5.1 Remplissage du réservoir

1 Ouvrez le couvercle du réservoir d'eau et remplissez le réservoir avec la quantité d'eau froide requise. (fig. 6)

Vous trouverez sur l'indicateur du niveau d'eau des indications de quantité pour préparer entre 4 et 10 tasses (550 ml à 1375 ml). Vous pouvez les utiliser pour déterminer la quantité d'eau à mettre dans le réservoir. Notez que le café absorbe l'eau une fois moulu ; la quantité de café préparé sera donc légèrement inférieure.

Remarque : (fig. 10)

Ne remplissez pas le réservoir d'eau au-delà de l'indication 10 tasses car l'eau risquerait de s'écouler à partir de l'orifice situé à l'arrière de l'appareil.

5.2 Utilisation avec des grains de café

Avertissement :

Ne mettez pas de grains de café expresso dans le bac à grains. Utilisez uniquement des grains de café classiques.

Avertissement :

Veillez à ce que le couvercle du réservoir d'eau soit toujours fermé lorsque vous remplissez le bac à grains. Dans le cas contraire, les grains de café risquent de tomber dans le réservoir d'eau et de bloquer l'orifice de remplissage.

- 1** Appuyez sur le bouton OPEN situé sur le côté droit de la cafetière pour ouvrir le support du porte-filtre. (fig. 11)
- 2** Placez un filtre en papier (n° 4) dans le porte-filtre pour récupérer le café moulu. (fig. 12)
- 3** Fermez le support du porte-filtre.

4 Faites tourner le couvercle de la verseuse isotherme par son levier jusqu'à la position « Fermé/Préparation ». Dans cette position, la flèche située sur le couvercle pointe vers le symbole « Fermé/Préparation » sur le bord (fig. 13).

5 Placez la verseuse dans l'appareil.

Conseil :

Pour que le café reste chaud plus longtemps, rincez la verseuse avec de l'eau chaude pour la préchauffer avant de faire du café.

6 Enlevez le couvercle du bac à grains (1) et remplissez le bac à grains (2). Assurez-vous de mettre suffisamment de grains de café dans le bac pour préparer la quantité de café souhaitée (fig. 14).

Remarque :

Vérifiez à chaque utilisation que le bac à grains est au moins à moitié rempli.

Avertissement :

La capacité maximale du bac à grains est de 250 g. Ne dépassez pas cette quantité, cela risquerait d'entraver le bon fonctionnement du moulin.

Avertissement :

N'utilisez pas de grains de café caramélisés ou non torréfiés, cela risquerait d'entraver le bon fonctionnement du moulin.

7 Tournez le bouton de sélection de la mouture pour choisir le niveau de mouture souhaité (de fine à grosse). L'appareil propose 9 niveaux de mouture (fig. 15).

Conseil :

Nous vous conseillons d'essayer différents niveaux de mouture pour trouver celui que vous préférez.

8 Pour sélectionner le nombre de tasses, appuyez sur le bouton pour 4-10 tasses autant de fois que nécessaire (fig. 16).

- Lorsque vous appuyez sur le bouton pour 4-10 tasses, celui-ci s'allume brièvement et l'appareil émet un signal sonore.
- Le nombre de tasses que vous avez sélectionné s'affiche.

Remarque :

Assurez-vous que le nombre de tasses sélectionné à l'aide du bouton pour 4-10 tasses correspond à la quantité d'eau dans le réservoir d'eau. Notez que la cafetière utilise toute l'eau présente dans le réservoir. Si vous sélectionnez un nombre de tasses inférieur à la quantité d'eau, le café sera plus doux que prévu.

9 Appuyez sur le bouton STRENGTH une ou plusieurs fois pour sélectionner l'intensité de café souhaitée (doux, moyen ou fort) (fig. 17).

- *Lorsque vous appuyez sur le bouton STRENGTH, celui-ci s'allume brièvement et l'appareil émet un signal sonore.*
- *L'intensité du café sélectionnée apparaît sur l'afficheur.*

10 Appuyez sur le bouton marche/veille (fig. 18).

- *L'appareil émet un signal sonore et l'afficheur s'allume.*

11 Appuyez à nouveau sur le bouton marche/veille pour lancer le cycle de préparation (fig. 19).

Avertissement :

Tenez-vous éloigné des événements à vapeur pendant la préparation ; de la vapeur brûlante peut s'en échapper.

- *Le moulin moud la quantité de grains de café correspondante.*
- *Le voyant de fraîcheur clignote rapidement sur l'afficheur tant que le cycle de préparation n'est pas terminé.*
- *La cafetière sonne 5 fois lorsque le cycle de préparation est terminé.*

12 Attendez que la cafetière filtre ait terminé de sonner avant de retirer la verseuse.

Remarque :

Une fois la préparation terminée, le café continue de s'écouler du porte-filtre pendant quelques secondes.

- *Le voyant de fraîcheur clignote lentement pendant 30 minutes après la fin de la préparation ; il indique ainsi que le café est frais. (fig. 20)*

13 Pour verser le café, faites tourner le couvercle jusqu'à la position « Verser ». Dans cette position, la flèche située sur le couvercle pointe vers le symbole « Verser » sur le bord (fig. 21).

Remarque :

Pour que le café reste chaud, fermez toujours le couvercle après utilisation.

5.3 Utilisation avec du café moulu

Si vous souhaitez utiliser du café moulu et non des grains de café, suivez les instructions ci-dessous.

1 Suivez les étapes 1 et 2 de la section « Utilisation avec des grains de café ».

2 Versez du café moulu dans le filtre en papier.

Remarque :

La quantité de café moulu nécessaire est une affaire de goût. Pour une tasse de café moyen-fort, mettez l'équivalent d'une cuillère de mesure (environ 6 g) par tasse (125 ml).

3 Fermez le support du porte-filtre.

4 Faites tourner le couvercle de la verseuse isotherme par son levier jusqu'au symbole « Fermé/Préparation » sur le couvercle. Placez la verseuse dans l'appareil.

5 Appuyez sur le bouton marche/veille.

- *L'appareil émet un signal sonore et l'afficheur s'allume.*

6 Appuyez sur le bouton de mouture du café pour désactiver le moulin à café (fig. 8).

- *Le bouton s'allume lorsque vous appuyez dessus.*

Remarque :

Lorsque le moulin est désactivé, le nombre de tasses et le niveau d'intensité ne s'affichent pas.

7 Suivez les étapes 11 à 13 de la section « Utilisation avec des grains de café ».

5.4 Réglage du minuteur

Le minuteur vous permet de programmer l'heure de début du cycle de préparation du café.

- 1 Maintenez le bouton PROGRAM enfoncé jusqu'à ce que celui-ci commence à clignoter et que 0:00 apparaisse sur l'afficheur (fig. 22).
- 2 Appuyez sur le bouton HOUR à plusieurs reprises pour régler l'heure. (fig. 23)
 - *L'appareil émet un signal sonore chaque fois que vous appuyez sur le bouton.*
- 3 Appuyez sur le bouton MINUTE à plusieurs reprises pour régler les minutes. (fig. 24)
 - *L'appareil émet un signal sonore chaque fois que vous appuyez sur le bouton.*
 - *L'heure définie pour le minuteur apparaît sur l'afficheur.*
- 4 Sélectionnez le nombre de tasses que vous souhaitez préparer. (fig. 25)
- 5 Sélectionnez l'intensité du café souhaitée (doux, moyen ou fort). (fig. 26)
- 6 Appuyez sur le bouton PROGRAM pour enregistrer les réglages. (fig. 27)
 - *Le bouton PROGRAM s'allume de manière continue.*
 - *L'horloge apparaît sur l'afficheur.*
- 7 Pour interrompre le processus, appuyez à nouveau sur le bouton PROGRAM.
 - *Le voyant du bouton PROGRAM s'éteint.*

Remarque :

Si vous voulez modifier l'heure définie pour le minuteur, appuyez sur le bouton PROGRAM. Le voyant du bouton PROGRAM recommence à clignoter. Réglez alors la nouvelle heure du minuteur en appuyant sur les boutons HOUR et MINUTE.

Remarque :

Si vous voulez préparer du café avec du café moulu, appuyez sur le bouton de mouture du café pour désactiver le moulin avant de sélectionner le nombre de tasses.

5.5 Fonction stop-goutte

La fonction stop-goutte vous permet de retirer la verseuse de la cafetière avant que le cycle de préparation ne soit fini. Lorsque vous retirez la verseuse, le système stop-goutte empêche le café de s'écouler.

Remarque :

Le cycle de préparation ne s'arrête pas lorsque vous retirez la verseuse. Si vous n'avez pas remis la verseuse dans l'appareil au bout de 20 secondes, le porte-filtre déborde.

6 Nettoyage et entretien

6.1 Nettoyage après chaque utilisation

Avertissement :

Ne plongez jamais l'appareil dans l'eau, ni dans d'autres liquides et ne le rincez pas sous le robinet.

- 1 Retirez le cordon d'alimentation de la prise secteur.
- 2 Essuyez l'extérieur de la cafetière à l'aide d'un chiffon humide.
- 3 Nettoyez le porte-filtre à l'eau chaude savonneuse.

6.2 Nettoyage du bac à grains

Vous devez nettoyer le bac à grains toutes les deux semaines, voire une fois par semaine, en fonction de sa fréquence d'utilisation.

- 1 Branchez le cordon d'alimentation sur la prise secteur.
- 2 Appuyez sur le bouton marche/veille (fig. 2).
 - *L'afficheur s'allume.*
- 3 Appuyez sur le bouton marche/veille, puis retirez le cordon d'alimentation de la prise secteur.

- 4 Insérez le côté plat de la brosse de nettoyage dans le verrou du bac à grains et orientez le verrou vers la position « ouvert ». (fig. 28)
- 5 Ouvrez le couvercle du bac à grains (fig. 29).
- 6 Utilisez la brosse de nettoyage pour faire tomber les résidus de café moulu dans la partie basse du bac (fig. 30).

Conseil :

Placez un filtre en papier dans le porte-filtre pour récupérer le café moulu.

- *Les résidus de café moulu tombent dans le porte-filtre.*

- 7 Fermez le couvercle du compartiment pour grains de café et orientez le verrou vers la position « verrouillé » (fig. 31).
- 8 Enlevez le filtre en papier avec les résidus de café moulu et jetez-le.

6.3 Nettoyage de la verseuse isotherme

Avertissement :

Ne plongez jamais la verseuse isotherme dans l'eau ou dans tout autre liquide et ne la lavez pas au lave-vaisselle.

- Pour enlever le couvercle de la verseuse, faites-le tourner par son levier jusqu'au symbole « Ôter le couvercle ». Ensuite, retirez le couvercle de la verseuse (fig. 32).
- Nettoyez l'intérieur de la verseuse à l'eau chaude légèrement savonneuse, à l'aide d'une brosse douce (fig. 33).

Conseil :

pour enlever les dépôts de café tenaces, remplissez la verseuse d'eau chaude et ajoutez une cuillère de carbonate de sodium. Laissez le carbonate de sodium agir quelques instants.

- Une fois le nettoyage terminé, rincez la verseuse à l'eau chaude (fig. 34).
- Pour placer le couvercle sur la verseuse, insérez les deux parties saillantes du couvercle dans les ouvertures situées au bord de la verseuse. Faites ensuite tourner le couvercle vers la droite jusqu'au symbole « Fermé/Préparation ». (fig. 35)

6.4 Détartrage de la machine à café

Lorsque le message « CLEAN » (nettoyage) s'affiche (après environ 60 cycles de préparation), vous devez détartrer la cafetière afin d'éviter que le calcaire ne bouche l'unité d'écoulement de la cafetière.

Un détartrage régulier permet de prolonger la durée de vie de votre cafetière et garantit des résultats optimaux et un temps de préparation constant jour après jour. Détartrez la cafetière :

- tous les 120 cycles de préparation si vous utilisez de l'eau douce (jusqu'à 18 dH).
- tous les 60 cycles de préparation si vous utilisez de l'eau calcaire (au-delà de 18 dH).

Pour connaître la dureté de l'eau dans votre région, renseignez-vous auprès des services de distribution des eaux de votre commune.

Remarque :

Si vous ne connaissez pas la dureté de l'eau dans votre région et que vous n'êtes pas en mesure de contacter le service de distribution des eaux de votre commune, nous vous recommandons de détartrer votre appareil chaque fois que le message « CALC » apparaît sur l'afficheur.

Remarque :

Pour faire disparaître le message « CALC » de l'afficheur, appuyez simultanément sur le bouton pour 4-10 tasses et sur le bouton STRENGTH.

- 1 Ouvrez le couvercle du réservoir d'eau.
- 2 Remplissez le réservoir d'eau avec 7 tasses de vinaigre blanc (5 % d'acide acétique) et 3 tasses d'eau (fig. 36).
- 3 Placez un filtre en papier (n° 4) dans le porte-filtre et fermez le support pour porte-filtre.
- 4 Placez la verseuse vide dans l'appareil (fig. 7).
- 5 Branchez le cordon d'alimentation sur la prise secteur.
- 6 Appuyez sur le bouton marche/veille (fig. 2).
- 7 Appuyez sur le bouton de mouture du café pour désactiver le moulin. Ensuite, appuyez sur le bouton marche/veille pour lancer le cycle de préparation. (fig. 8)

- 8 Attendez que la moitié de la solution vinaigre-eau se soit écoulée dans la verseuse. Appuyez ensuite sur le bouton marche/veille pour arrêter le cycle de préparation et laissez agir pendant au moins 15 minutes.
- 9 Appuyez sur le bouton marche/veille pour allumer à nouveau la cafetière et laissez l'appareil terminer le cycle de préparation.
- 10 Videz la verseuse et jetez le filtre en papier.
- 11 Remplissez le réservoir d'eau avec de l'eau froide et appuyez sur le bouton marche/veille pour commencer un autre cycle de préparation. Laissez la cafetière terminer le cycle de préparation et videz la verseuse.
- 12 Répétez l'étape 12 jusqu'à ce que l'eau n'ait plus le goût ni l'odeur du vinaigre.
- 13 Nettoyez le porte-filtre et la verseuse à l'eau chaude, avec un peu de liquide vaisselle.

7 Commande d'accessoires

Pour acheter des accessoires ou des pièces de rechange, visitez le site Web www.shop.philips.com/service ou rendez-vous chez votre revendeur Philips. Vous pouvez également contacter le Service Consommateurs Philips de votre pays (voir le dépliant de garantie internationale pour les coordonnées).

8 Environnement

- Lorsqu'il ne fonctionnera plus, ne jetez pas l'appareil avec les ordures ménagères, mais déposez-le à un endroit assigné à cet effet, où il pourra être recyclé. Vous contribuerez ainsi à la protection de l'environnement (fig. 37).

9 Garantie et assistance

Si vous avez besoin d'une assistance ou d'informations supplémentaires, consultez le site Web www.philips.com/support ou lisez le dépliant séparé sur la garantie internationale.

10 Dépannage

Cette rubrique présente les problèmes les plus courants que vous pouvez rencontrer avec votre appareil. Si vous ne parvenez pas à résoudre le problème à l'aide des informations ci-dessous, rendez-vous sur www.philips.com/support pour consulter les questions fréquemment posées, ou contactez le Service Consommateurs de votre pays.

L'appareil ne fonctionne pas.

- Assurez-vous que la tension indiquée sur l'appareil correspond bien à la tension secteur locale.
- Remplissez le réservoir d'eau.

Lorsque j'utilise le moulin, le café est trop léger.

- Assurez-vous que le nombre de tasses sélectionné à l'aide du bouton pour 4-10 tasses correspond à la quantité d'eau dans le réservoir d'eau. Notez que la cafetière utilise toute l'eau présente dans le réservoir.
- Réglez le bouton STRENGTH sur « strong » (fort) pour changer l'intensité du café.
- Lorsque vous utilisez des grains de café, veillez à ne pas appuyer sur le bouton de mouture du café car cela désactive le moulin.
- Utilisez des grains de café à l'arôme plus intense ou au goût plus fort.
- Pour plus d'intensité, sélectionnez un nombre de tasses supérieur à la quantité d'eau dans le réservoir à l'aide du bouton pour 4-10 tasses.

Lorsque j'utilise du café moulu, le café est trop léger.

- Assurez-vous que la quantité de café moulu dans le filtre correspond à la quantité d'eau dans le réservoir d'eau. Notez que l'appareil utilise toute l'eau présente dans le réservoir.
- Utilisez un café moulu à l'arôme plus intense ou au goût plus fort.
- Pour plus d'intensité, augmentez la quantité de café moulu ou diminuez la quantité d'eau.

Le filtre déborde lorsque je retire la verseuse au cours d'un cycle de préparation.

- Si vous retirez la verseuse pendant plus de 20 secondes pendant le cycle de préparation du café, le système stop-goutte risque de faire déborder le porte-filtre. Notez également que le café prend tout son arôme uniquement à la fin d'un cycle complet. Nous vous conseillons donc de ne pas retirer la verseuse et de ne pas servir le café tant que le cycle de préparation n'est pas terminé.

L'appareil continue à goutter, longtemps après la fin du cycle de préparation du café.

- Ce phénomène est causé par la condensation de la vapeur. Il est tout à fait normal que l'appareil goutte pendant quelques instants.
- Si l'appareil n'arrête pas de goutter, le système stop-goutte est peut-être obstrué. Pour nettoyer le système stop-goutte, appuyez sur le bouton OPEN situé sur le côté droit de l'appareil pour ouvrir le support pour porte-filtre. Retirez le porte-filtre. Ensuite, rincez le porte-filtre et le système stop-goutte sous le robinet.
- Si vous retirez la verseuse pendant plus de 20 secondes pendant le cycle de préparation du café, le système stop-goutte risque de faire déborder le porte-filtre.

Le café n'est pas assez chaud.

- Préchauffez la verseuse à l'eau chaude avant de préparer du café.
- Le café dans la verseuse refroidit plus rapidement si vous ne préparez que quelques tasses. Le café reste chaud plus longtemps si vous préparez 10 tasses, c'est-à-dire une verseuse pleine.
- Utilisez des tasses à parois fines car celles-ci absorbent moins de chaleur que les tasses à parois épaisses.
- N'utilisez pas de lait qui vient de sortir du réfrigérateur.
- Détartrez l'appareil. Pour cela, reportez-vous à la section « Détartrage » dans le chapitre « Nettoyage et entretien ».

1 Introduzione

Congratulazioni per l'acquisto e benvenuti in Philips! Per trarre il massimo vantaggio dall'assistenza Philips, registrate il vostro prodotto su www.philips.com/welcome.

2 Descrizione generale (fig. 1)

- 1 Cestello del filtro
- 2 Sistema antigoccia
- 3 Blocco dello scivolo del caffè in grani
- 4 Manopola di selezione della macinatura
- 5 Display
- 6 Pulsante STRENGTH
- 7 Pulsante per 4-10 tazze
- 8 Portafiltro
- 9 Coperchio caraffa termica
- 10 Caraffa termica
- 11 Apertura di fuoriuscita
- 12 Serbatoio dell'acqua con finestra per controllare il livello dell'acqua
- 13 Pulsante HOUR
- 14 Pulsante PROGRAM
- 15 Pulsante MINUTE
- 16 Pulsante OPEN del portafiltro
- 17 Pulsante on/off, start/stop
- 18 Pulsante caffè pre-macinato
- 19 Scarico del vapore
- 20 Coperchio dello scivolo del caffè in grani
- 21 Coperchio del serbatoio dell'acqua
- 22 Contenitore caffè in grani
- 23 Coperchio del contenitore del caffè in grani
- 24 Spazzolina per la pulizia

3 Importante

Prima di utilizzare l'apparecchio, leggete attentamente il presente manuale e conservatelo per eventuali riferimenti futuri.

3.1 Pericolo

- Non immergete l'apparecchio nell'acqua o in altri liquidi e non risciacquatelo sotto l'acqua corrente.

3.2 Avviso

- Prima di collegare l'apparecchio, controllate che la tensione indicata sulla parte inferiore dell'apparecchio corrisponda a quella locale.
- Nel caso in cui il cavo di alimentazione fosse danneggiato, dovrà essere sostituito presso i centri autorizzati Philips, i rivenditori specializzati oppure da personale debitamente qualificato, per evitare situazioni pericolose.
- Quest'apparecchio può essere usato da bambini a partire da 8 anni di età e da persone con capacità mentali, fisiche o sensoriali ridotte, prive di esperienza o conoscenze adatte a condizione che tali persone abbiano ricevuto assistenza o formazione per utilizzare l'apparecchio in maniera sicura e capiscano i potenziali pericoli associati a tale uso. Evitate che i bambini giochino con l'apparecchio. La manutenzione e la pulizia non devono essere eseguite da bambini se non in presenza di un adulto.

- Evitate che i bambini giochino con l'apparecchio.
- Tenete il cavo di alimentazione fuori dalla portata dei bambini. Evitate che il cavo penda dal bordo del tavolo o dal piano di lavoro su cui è posizionato l'apparecchio.
- Non toccate le unità di macinatura del caffè dell'apparecchio, specialmente quando quest'ultimo è collegato alla corrente.
- Tenete il materiale di imballaggio (buste di plastica, protezioni in cartone, ecc.) fuori dalla portata dei bambini poiché non sono giocattoli.
- Durante il funzionamento dell'apparecchio non toccate le superfici incandescenti.
- Questo apparecchio è progettato per macinare e preparare il caffè. Utilizzatelo correttamente e con cautela per evitare ustioni dovute al vapore e all'acqua calda.
- Non utilizzate l'apparecchio se la spina, il cavo di alimentazione o l'apparecchio stesso sono danneggiati.
- Se si verifica un problema che non riuscite a risolvere consultando il presente manuale, rivolgetevi al Centro Assistenza Clienti del vostro paese. Se il problema risulta irrisolvibile, rivolgetevi a un centro autorizzato Philips per un controllo ed eventuali riparazioni. Non tentate di riparare l'apparecchio per evitare di invalidare la garanzia.

3.3 Attenzione

- Non appoggiate l'apparecchio su una superficie calda e fate in modo che il cavo di alimentazione non venga a contatto con superfici incandescenti.
- Scollegate l'apparecchio dalla presa di corrente se si verificano problemi durante la macinazione o la preparazione del caffè e prima di pulirlo.
- Non spostate l'apparecchio mentre è in funzione.
- Attendete che l'apparecchio si raffreddi prima di riporlo. L'apparecchio potrebbe essere caldo.
- Non smontate la caraffa termica
- Non immergete mai la caraffa termica in acqua o qualsiasi altro liquido, per evitare che questi si infiltrino tra le pareti della caraffa stessa.
- Non lavate la caraffa termica in lavastoviglie.
- Una volta riempita di caffè la caraffa termica, mantenetela in posizione verticale per evitare fuoriuscite.
- Durante la preparazione del caffè, la parte inferiore dell'apparecchio e il fondo della caraffa termica diventano molto caldi.
- Quando togliete l'apparecchio dalla confezione, controllate che sia integro e che non abbia subito danni. In caso di dubbi, non utilizzatelo ma rivolgetevi al centro assistenza clienti del vostro paese.

- Questo apparecchio è destinato esclusivamente ad un uso domestico e non deve essere utilizzato in ambienti quali cucine dei dipendenti all'interno di punti vendita, uffici, aziende agricole o altri ambienti lavorativi. Non deve essere altresì utilizzato dai clienti di hotel, motel, Bed & Breakfast e altri ambienti residenziali.

3.4 Campi elettromagnetici (EMF)

Questo apparecchio Philips è conforme a tutti gli standard relativi ai campi elettromagnetici (EMF). Se utilizzato in modo appropriato seguendo le istruzioni contenute nel presente manuale d'uso, l'apparecchio consente un utilizzo sicuro come confermato dai risultati scientifici attualmente disponibili.

4 Primo utilizzo

4.1 Impostazione dell'orologio

- 1 Inserite la spina nella presa di corrente a muro.
 - Il pulsante *start/standby* si accende.
- 2 Premete il pulsante *start/standby* (fig. 2).
 - Il display si accende e l'apparecchio emette due segnali acustici.

 **Nota:**

Se non premete un pulsante qualsiasi entro 5 minuti, l'apparecchio passa in modalità standby. In questo caso, il display si spegne e rimane acceso solo il pulsante *start/standby* per indicare che l'apparecchio è ancora acceso. In modalità standby, potete premere un pulsante qualsiasi per riattivare l'apparecchio.

- Sul display lampeggiano le cifre **12:00** a indicare che è necessario impostare l'ora. (fig. 3)

- 3 Premete più volte il pulsante HOUR per impostare l'ora (fig. 4).
 - *L'apparecchio emette due segnali acustici ogni volta che viene premuto il pulsante.*
- 4 Premete più volte il pulsante MINUTE per impostare i minuti. (fig. 5).
 - *L'apparecchio emette due segnali acustici ogni volta che viene premuto il pulsante.*
- 5 Il display mostra l'ora impostata. La macchina del caffè è pronta per l'uso.

4.2 Come lavare l'apparecchio

La macchina per caffè all'americana deve essere pulita al primo utilizzo.

- 1 Aprite il coperchio del serbatoio dell'acqua. Riempitelo con acqua fredda pulita **fino all'indicazione 10 tazze**. (fig. 6)

 **Nota:**

Non mettete caffè in grani o caffè macinato nell'apparecchio.

- 2 Chiudete il coperchio del serbatoio dell'acqua.
- 3 Posizionate la caraffa termica nell'apparecchio (fig. 7).

 **Nota:**

assicuratevi che il coperchio si trovi sulla caraffa e che la freccia sul coperchio stesso si trovi sul simbolo di "chiuso/erogazione" (vedere il capitolo "Modalità d'uso dell'apparecchio", nella sezione "Utilizzo di caffè in grani"). Assicuratevi inoltre che la caraffa sia posizionata correttamente sull'apparecchio. Il beccuccio deve essere rivolto in avanti all'interno dell'apparecchio. Se il coperchio non si trova sulla caraffa o quest'ultima non è posizionata correttamente sull'apparecchio, la funzione antigoccia si attiva automaticamente (vedere il capitolo "Modalità d'uso dell'apparecchio", sezione "Funzione antigoccia").

- 4 Premete il pulsante *start/standby* (fig. 2).
 - *L'apparecchio emette un segnale acustico e il display si illumina.*
- 5 Premete il pulsante del caffè pre-macinato per spegnere il macinacaffè (fig. 8).
 - *Il pulsante del caffè pre-macinato si illumina.*

Nota:

Quando spegnete il macinacaffè, il numero di tazze e l'impostazione dell'intensità dell'aroma non viene mostrato sul display.

6 Premete il pulsante start/standby per avviare il processo di erogazione (fig. 9).

- *L'indicatore di freschezza lampeggia rapidamente sul display fino al termine del processo di erogazione.*
- *La macchina per il caffè all'americana emette 5 segnali acustici a conclusione del processo di erogazione.*

7 Svuotate la caraffa.

Avviso:

Tenete sempre il coperchio del serbatoio dell'acqua chiuso quando riempite il contenitore del caffè in grani. In caso contrario eventuali grani di caffè possono cadere nel serbatoio dell'acqua e bloccare l'ingresso dell'acqua.

1 Premete il pulsante OPEN sul lato destro della macchina per caffè per aprire il portafiltro. (fig. 11)

2 Posizionate un filtro di carta (n. 4) nel cestello del filtro per raccogliere il caffè macinato. (fig. 12)

3 Chiudete il portafiltro.

4 Ruotate il coperchio della caraffa tramite la leva e impostatelo sulla posizione "chiuso/erogazione". In questa posizione la freccia sul coperchio punta sul simbolo di "chiuso/erogazione" sul bordo (fig. 13).

5 Posizionate la caraffa nell'apparecchio.

Consiglio:

affinché il caffè resti caldo più a lungo, risciacquate la caraffa con acqua calda in modo da preriscaldarla prima di preparare il caffè.

6 Rimuovete il coperchio del contenitore del caffè in grani (1) e riempitelo con i chicchi di caffè (2). Assicuratevi che i chicchi all'interno del contenitore siano sufficienti per la quantità di caffè desiderata (fig. 14).

Nota:

Assicuratevi che il contenitore del caffè in grani sia sempre almeno mezzo pieno.

Avviso:

La capacità massima del contenitore del caffè in grani è di 250 g. Per evitare che il macinacaffè si blocchi, non superare questa quantità.

Avviso:

Per evitare che il macinacaffè si blocchi, non usate chicchi di caffè non tostati o caramellati.

5 Modalità d'uso dell'apparecchio

5.1 Riempimento del serbatoio dell'acqua

1 Aprite il coperchio del serbatoio dell'acqua e riempite il serbatoio con acqua fredda nella quantità richiesta. (fig. 6)

Sulla finestra del livello dell'acqua sono presenti le indicazioni da 4 a 10 tazze (da 550 ml a 1375 ml). Potete usare queste indicazioni per determinare quanta acqua mettere nel serbatoio. Ricordatevi che la quantità di caffè erogato sarà leggermente inferiore poiché il caffè macinato assorbe acqua.

Nota: (fig. 10)

Non riempite il serbatoio oltre l'indicazione di 10 tazze per evitare che l'acqua fuoriesca dall'apertura sul retro.

5.2 Utilizzo di caffè in grani

Avviso:

Non inserite i chicchi di caffè per espresso nel contenitore dei chicchi di caffè. Utilizzate solo chicchi di caffè normale.

- 7** Girate la manopola di selezione della macinatura per selezionare il tipo desiderato (dalla macinatura fine a quella grossolana). Sono disponibili 9 impostazioni diverse (fig. 15).

☼ Consiglio:

Vi consigliamo di fare delle prove con le varie impostazioni di macinatura per trovare quella che preferite.

- 8** Per selezionare il numero di tazze, premete il pulsante per 4-10 tazze un numero di volte pari a quello delle tazze desiderate (fig. 16).
- *Quando premete il pulsante per 4-10 tazze, si illumina brevemente e l'apparecchio emette un segnale acustico.*
 - *Il numero selezionato di tazze compare sul display.*

☹ Nota:

Assicuratevi che il numero di tazze selezionato tramite il pulsante per 4-10 tazze sia compatibile con la quantità di acqua presente nel serbatoio. Tenete presente che la macchina per caffè utilizza tutta l'acqua nel serbatoio. Se selezionate un numero di tazze inferiore alla quantità di acqua, il caffè sarà meno forte.

- 9** Premete il pulsante STRENGTH una o più volte finché non viene selezionata l'intensità dell'aroma di caffè selezionata (leggero, medio o forte) (fig. 17).
- *Quando premete il pulsante STRENGTH, si illumina brevemente e l'apparecchio emette un segnale acustico.*
 - *Sul display viene visualizzata l'intensità selezionata.*

- 10** Premete il pulsante start/standby (fig. 18).
- *L'apparecchio emette un segnale acustico e il display si illumina.*

- 11** Premete nuovamente il pulsante start/standby per avviare il processo di erogazione (fig. 19).

⚠ Avviso:

Stare lontani dall'uscita di aerazione del vapore durante l'erogazione, poiché il vapore caldo fuoriesce dai fori.

- *Il macinacaffè macina la quantità richiesta di caffè in grani.*
- *L'indicatore di freschezza lampeggia rapidamente sul display fino al termine del processo di erogazione.*
- *La macchina per il caffè all'americana emette 5 segnali acustici a conclusione del processo di erogazione.*

- 12** Prima di rimuovere la caraffa attendete finché la macchina non emette più alcun segnale acustico.

☹ Nota:

Dopo l'erogazione, il caffè gocciola dal cestello del filtro per diversi secondi.

- *L'indicatore di freschezza lampeggia brevemente sul display per i 30 minuti successivi all'erogazione ad indicare che il caffè è ancora fresco. (fig. 20)*

- 13** Per versare il caffè, ruotate il coperchio nella posizione relativa. In questa posizione, la freccia sul coperchio punta verso il simbolo per versare il caffè posto sul bordo (fig. 21).

☹ Nota:

Per mantenere caldo il caffè, dopo averlo versato chiudete sempre il coperchio.

5.3 Utilizzo di caffè pre-macinato

Se volete usare caffè pre-macinato invece di caffè in grani, seguite i passaggi riportati sotto.

- 1** Seguite i passaggi da 1 a 2 nella sezione "Utilizzo di caffè in grani".
- 2** Posizionate il caffè pre-macinato nel filtro di carta.

☹ Nota:

La quantità di caffè pre-macinato utilizzato dipende dal gusto personale. Per una tazza di caffè medio-forte, usate un misurino (circa 6 g) per ogni tazza (125 ml).

- 3** Chiudete il portafiltro.
- 4** Utilizzando la leva, ruotate il coperchio della caraffa verso il simbolo "chiuso/erogazione" presente sul coperchio stesso. Posizionate la caraffa sull'apparecchio.

- 5 Premete il pulsante start/standby.
 - *L'apparecchio emette un segnale acustico e il display si illumina.*
- 6 Premete il pulsante del caffè pre-macinato per spegnere il macinacaffè (fig. 8).
 - *Quando viene premuto il pulsante si accende.*

Nota:

Quando spegnete il macinacaffè, il numero di tazze e l'impostazione dell'intensità dell'aroma non viene mostrato sul display.

- 7 Seguite i passaggi da 11 a 13 nella sezione "Utilizzo di caffè in grani".

5.4 Impostazione del timer

Il timer vi permette di programmare quando avviare il processo di preparazione del caffè.

- 1 Tenete premuto il pulsante PROGRAM fino a che non inizia a lampeggiare e le cifre 0:00 compaiono sul display (fig. 22).
- 2 Premete più volte il pulsante HOUR per impostare l'ora. (fig. 23)
 - *L'apparecchio emette due segnali acustici ogni volta che viene premuto il pulsante.*
- 3 Premete più volte il pulsante MINUTE per impostare i minuti. (fig. 24)
 - *L'apparecchio emette due segnali acustici ogni volta che viene premuto il pulsante.*
 - *Sul display viene visualizzata l'ora del timer impostata.*
- 4 Selezionate il numero di tazze che volete preparare. (fig. 25)
- 5 Selezionate l'intensità desiderata (leggera, media o forte). (fig. 26)
- 6 Premete il pulsante PROGRAM per salvare le impostazioni. (fig. 27)
 - *Il pulsante PROGRAM rimane acceso.*
 - *Sul display viene visualizzato l'orologio.*
- 7 Per interrompere il processo, premete di nuovo il pulsante PROGRAM.
 - *La luce del pulsante PROGRAM si spegne.*

Nota:

Se volete modificare l'ora impostata sul timer, premete il pulsante PROGRAM. L'indicatore del pulsante PROGRAM comincia di nuovo a lampeggiare. Ora potete impostare un nuovo timer premendo i pulsanti HOUR e MINUTE.

Nota:

Se volete preparare il caffè con caffè macinato, premete il pulsante per caffè premacinato per spegnere il macinacaffè prima di selezionare il numero delle tazze.

5.5 Funzione antigoccia

La funzione antigoccia vi permette di rimuovere la caraffa dalla macchina per caffè all'americana prima che il processo di erogazione sia terminato. Quando rimuovete la caraffa, il sistema antigoccia interrompe il flusso di caffè al suo interno.

Nota:

Il processo di erogazione non si interrompe quando viene rimossa la caraffa. Se non rimettete la caraffa nell'apparecchio entro 20 secondi, il caffè fuoriesce dal cestello del filtro.

6 Pulizia e manutenzione

6.1 Pulizia dopo ogni utilizzo

Avviso:

Non immergete l'apparecchio nell'acqua o in altri liquidi e non risciacquatelo sotto l'acqua corrente.

- 1 Scollegate la spina dalla presa a muro.
- 2 Pulite con un panno umido la superficie esterna della macchina per caffè.
- 3 Pulite il cestello del filtro con acqua calda e detersivo per piatti.

6.2 Pulizia dello scivolo del caffè in grani

È necessario pulire lo scivolo del caffè in grani ogni 1-2 settimane, a seconda della frequenza di utilizzo.

- 1 Inserite la spina nella presa di corrente a muro.
- 2 Premete il pulsante start/standby (fig. 2).
 - *Il display si accende.*
- 3 Premete il pulsante start/standby, quindi scollegate la spina dalla presa a muro.
- 4 Inserite la parte piatta dell'impugnatura della spazzolina per la pulizia nel sistema di blocco dello scivolo del caffè in grani e ruotatelo impostandolo in posizione di "apertura". (fig. 28)
- 5 Aprite il coperchio dello scivolo del caffè in grani (fig. 29).
- 6 Usate la spazzolina per la pulizia per rimuovere i residui di caffè macinato nella parte inferiore dello scivolo (fig. 30).

Consiglio:

Posizionate un filtro di carta nel cestello del filtro per raccogliere il caffè macinato.

- *I residui di caffè macinato cadono nel cestello del filtro.*
- 7 Chiudete il coperchio dello scivolo del caffè in grani e ruotate il sistema in posizione di blocco (fig. 31).
 - 8 Togliete il filtro di carta con i residui di caffè macinato e gettatelo via.

6.3 Pulizia della caraffa termica

Avviso:

non immergete la caraffa termica in acqua o altri liquidi e non lavatela in lavastoviglie.

- Per rimuovere il coperchio dalla caraffa, ruotatelo verso il simbolo "rimozione coperchio" utilizzando la leva. Quindi estraete il coperchio dalla caraffa (fig. 32).
- Lavate l'interno della caraffa con una spazzola morbida, usando acqua calda e un po' di detersivo liquido (fig. 33).

Consiglio:

per eliminare le macchie scure più resistenti, riempite la caraffa con acqua calda e aggiungete un cucchiaino di bicarbonato. Lasciatelo agire per un po' di tempo.

- Al termine dell'operazione, sciacquate la caraffa con acqua calda corrente (fig. 34).
- Per posizionare il coperchio sulla caraffa, inserite le due sporgenze del coperchio nelle rientranze sul bordo della caraffa. Quindi ruotate a destra il coperchio verso il simbolo di "chiuso/erogazione". (fig. 35)

6.4 Pulizia anticalcare

Quando il messaggio "CALC" viene visualizzato sul display (dopo circa 60 utilizzi), è necessario eseguire la pulizia anticalcare per evitare che il calcare blocchi l'apparecchio.

La rimozione regolare del calcare prolunga la vita della macchina per caffè e garantisce ottimi risultati e tempi di preparazione costanti per molto tempo. Eseguite la pulizia anticalcare della macchina per caffè:

- ogni 120 cicli di erogazione se si usa acqua dolce (fino a 18 dH).
- ogni 60 cicli di erogazione se si usa acqua dura (oltre 18 dH).

Per informazioni sulla durezza dell'acqua della vostra zona, contattate l'ente preposto alla distribuzione.

Nota:

Se non conoscete la durezza dell'acqua della vostra zona e non potete contattare l'ente di distribuzione di zona, si consiglia di eseguire la pulizia anticalcare ogni volta che sul display viene visualizzato il messaggio "CALC".

Nota:

Per rimuovere il messaggio "CALC" dal display, premete contemporaneamente il pulsante per 4-10 tazze e il pulsante STRENGTH.

- 1 Aprite il coperchio del serbatoio dell'acqua.
- 2 Riempite il serbatoio dell'acqua con 7 tazze di aceto bianco (5% acido acetico) e 3 tazze di acqua (fig. 36).

- 3 Posizionate un filtro di carta (n. 4) nel cestello del filtro e chiudete il portafiltro.
- 4 Posizionate la caraffa vuota nell'apparecchio (fig. 7).
- 5 Inserite la spina nella presa di corrente a muro.
- 6 Premete il pulsante start/standby (fig. 2).
- 7 Premete il pulsante di spegnimento del macinacaffè per spegnerlo. Quindi premete il pulsante di avvio/standby per avviare il processo di erogazione. (fig. 8)
- 8 Attendete finché la metà della soluzione di aceto-acqua si è riversata nella caraffa. Premete quindi il pulsante di avvio/standby per interrompere il processo di erogazione e lasciate riposare la soluzione per almeno 15 minuti.
- 9 Premete il pulsante start/standby per riaccendere la macchina del caffè e lasciare che l'apparecchio concluda il ciclo di erogazione.
- 10 Svuotate la caraffa e gettate il filtro di carta.
- 11 Riempite il serbatoio dell'acqua con acqua fredda e premete il pulsante start/standby per avviare un altro processo di erogazione. Lasciate che la macchina per caffè completi l'intero processo di erogazione e svuotate la caraffa.
- 12 Ripetete il passaggio 12 fino a che l'acqua non perde il sapore o l'odore di aceto.
- 13 Pulite il cestello del filtro e la caraffa con acqua calda e del detersivo per piatti.

7 Ordinazione degli accessori

Per acquistare accessori o parti di ricambio, visitate il sito www.shop.philips.com/service oppure recatevi presso il vostro rivenditore Philips. Potete contattare anche il centro assistenza Philips del vostro paese (per i dettagli di contatto, consultate l'opuscolo della garanzia internazionale).

8 Tutela dell'ambiente

- Per contribuire alla tutela dell'ambiente, non smaltite l'apparecchio insieme ai rifiuti domestici, ma consegnatelo a un centro di raccolta ufficiale (fig. 37).

9 Garanzia e assistenza

Per assistenza o informazioni, visitate il sito Web all'indirizzo www.philips.com/support oppure leggete l'opuscolo della garanzia internazionale.

10 Risoluzione dei problemi

Questo capitolo riassume i problemi più comuni che potreste riscontrare con l'apparecchio. Se non riuscite a risolvere il problema con le informazioni riportate sotto, visitate il sito www.philips.com/support per un elenco di domande frequenti o contattate il centro assistenza clienti del vostro paese.

L'apparecchio non funziona.

- Verificate che la tensione indicata sull'apparecchio corrisponda a quella della tensione locale.
- Riempite d'acqua il serbatoio.

Quando si utilizza il macinacaffè, il gusto del caffè risulta troppo leggero.

- Assicuratevi che il numero di tazze selezionato tramite il pulsante per 4-10 tazze sia compatibile con la quantità di acqua presente nel serbatoio. Tenete presente che la macchina per caffè utilizza tutta l'acqua nel serbatoio.
- Usate il pulsante STRENGTH per impostare l'intensità del caffè su "forte".
- Quando usate il caffè in grani, assicuratevi di non premere il pulsante del caffè pre-macinato poiché in questo modo il macinacaffè si spegne.
- Usate caffè in grani di una miscela/gusto più forte.
- Per aumentare l'intensità del caffè, tramite il pulsante per 4-10 tazze selezionate un numero di tazze superiore rispetto a quello per cui è stato riempito il serbatoio dell'acqua.

Quando si usa caffè pre-macinato, l'aroma risulta troppo leggero.

- Assicuratevi che la quantità di caffè pre-macinato nel filtro sia compatibile con la quantità di acqua presente nel serbatoio. Tenete presente che l'apparecchio utilizza tutta l'acqua nel serbatoio.
- Usate caffè macinato di una miscela/gusto più forte.
- Per aumentare l'intensità del caffè, aumentate la quantità di caffè pre-macinato o diminuite la quantità di acqua.

Il filtro trabocca quando viene rimossa la caraffa dall'apparecchio durante la preparazione del caffè.

- Se rimuovete la caraffa per più di 20 secondi durante il processo di erogazione, il sistema antigoccia causa la fuoriuscita del caffè dal cestello del filtro. Tenete inoltre presente che l'intensità finale del caffè si raggiunge solo a conclusione del processo di erogazione. Vi consigliamo pertanto di non rimuovere la caraffa e di non versare il caffè prima della fine del processo di erogazione.

L'apparecchio continua a perdere acqua anche molto tempo dopo il processo di erogazione.

- La fuoriuscita di acqua è causata dalla condensazione del vapore. Si tratta di un fenomeno normale che può verificarsi.
- Se continuano a cadere gocce, il sistema antigoccia potrebbe essere ostruito. Per pulirlo, premete il pulsante OPEN sulla parte destra dell'apparecchio per aprire il portafiltro. Estraete il cestello del filtro, quindi sciacquate quest'ultimo e il sistema antigoccia sotto l'acqua corrente.
- Se rimuovete la caraffa per più di 20 secondi durante il processo di erogazione, il sistema antigoccia causa la fuoriuscita del caffè dal cestello del filtro.

Il caffè non è abbastanza caldo.

- Preriscaldate la caraffa con acqua calda prima di preparare il caffè.
- Il caffè nella caraffa si raffredda più velocemente se volete preparare solo qualche tazza. Il caffè resta caldo più a lungo se preparate 10 tazze, che corrispondono a una caraffa piena.
- Utilizzate tazze sottili perché assorbono meno calore dal caffè rispetto a quelle spesse.
- Non utilizzate latte appena tolto dal frigorifero.
- Eseguite la pulizia anticalcare. Vedere la sezione "Pulizia anticalcare" nel capitolo "Pulizia e manutenzione".

1 Introductie

Gefeliciteerd met uw aankoop en welkom bij Philips! Als u volledig wilt profiteren van de ondersteuning die Philips biedt, registreer uw product dan op www.philips.com/welcome.

2 Algemene beschrijving (fig. 1)

- 1 Filtermandje
- 2 Druppelstop
- 3 Slot van bonentrechter
- 4 Maalgraadkeuzeknop
- 5 Display
- 6 STRENGTH-knop
- 7 4-10-kops knop
- 8 Filtermandhouder
- 9 Geïsoleerde deksel voor de kan
- 10 Thermoskan
- 11 Overstroomgat
- 12 Waterreservoir met waterniveauvenster
- 13 HOUR-knop
- 14 PROGRAM-knop
- 15 MINUTE-knop
- 16 OPEN-knop voor filtermandhouder
- 17 Aan/uit, start-/stand-byknop
- 18 Knop voor voorgemalen koffie
- 19 Stoomuitlaat
- 20 Deksel van bonentrechter
- 21 Deksel van waterreservoir
- 22 Bonenreservoir
- 23 Deksel van bonenreservoir
- 24 Reinigingsborsteltje

3 Belangrijk

Lees deze gebruiksaanwijzing zorgvuldig door voordat u het apparaat gaat gebruiken. Bewaar de gebruiksaanwijzing om deze zo nodig later te kunnen raadplegen.

3.1 Gevaar

- Dompel het apparaat nooit in water of een andere vloeistof en spoel het ook niet af onder de kraan.

3.2 Waarschuwing

- Controleer of het voltage aangegeven op de onderkant van het apparaat overeenkomt met de plaatselijke netspanning voordat u het apparaat aansluit.
- Indien het netsnoer beschadigd is, moet u het laten vervangen door Philips, een door Philips geautoriseerd servicecentrum of personen met vergelijkbare kwalificaties om gevaar te voorkomen.
- Dit apparaat kan worden gebruikt door kinderen vanaf 8 jaar en door personen met verminderde lichamelijke, zintuiglijke of geestelijke vermogens, of die gebrek aan ervaring of kennis hebben, als iemand die verantwoordelijk is voor hun veiligheid toezicht op hen houdt, en zij de gevaren van het gebruik begrijpen. Kinderen mogen niet met het apparaat spelen.

Reiniging en onderhoud dienen niet zonder toezicht door kinderen te worden uitgevoerd.

- Kinderen mogen niet met het apparaat spelen.
- Houd het netsnoer buiten het bereik van kinderen. Laat het netsnoer niet over de rand van de tafel of het aanrecht hangen waarop het apparaat staat.
- Raak de maalschijven van het apparaat niet aan, vooral niet wanneer het apparaat is aangesloten op netspanning.
- Houd de verpakkingsmaterialen (plastic zakken, kartonnen buffers enz.) buiten het bereik van kinderen. De verpakkingsmaterialen zijn geen speelgoed.
- Raak de hete oppervlakken van het apparaat niet aan wanneer het apparaat in werking is.
- Dit apparaat is ontworpen om bonen te malen en dan koffie te zetten. Gebruik het apparaat voorzichtig en op de juiste wijze om verbranding door heet water en stoom te voorkomen.
- Gebruik het apparaat niet indien de stekker, het netsnoer of het apparaat zelf beschadigd is.
- Als u er niet in slaagt een probleem op te lossen met behulp van de informatie in deze gebruiksaanwijzing, neem dan contact op met het Consumer Care Centre in uw land. Als

het probleem niet kan worden opgelost, breng het apparaat dan naar een door Philips geautoriseerd servicecentrum voor onderzoek of reparatie. Probeer niet zelf het apparaat te repareren, omdat uw garantie hierdoor komt te vervallen.

3.3 Let op

- Plaats het apparaat niet op een heet oppervlak en voorkom dat het netsnoer in contact komt met hete oppervlakken.
- Haal de stekker van het apparaat uit het stopcontact als er tijdens het malen van bonen of het koffiezetten problemen optreden, en voordat u het apparaat gaat schoonmaken.
- Verplaats het apparaat niet wanneer het in werking is.
- Wacht tot het apparaat is afgekoeld voordat u het opbergt. Het apparaat kan heet zijn.
- Neem de thermoskan niet uit elkaar.
- Dompel de thermoskan nooit in water of een andere vloeistof, omdat er hierdoor water tussen de wanden van de thermoskan zou kunnen lopen.
- De geïsoleerde kan is niet vaatwasmachinebestendig.
- Om lekkage te voorkomen dient u de geïsoleerde kan altijd rechtop te houden wanneer deze is gevuld met koffie.

- Tijdens het koffiezetten worden het onderste deel van het apparaat en de onderkant van de thermoskan heet.
- Controleer nadat u het apparaat hebt uitgepakt, of het compleet en onbeschadigd is. Als u twijfelt, gebruik het apparaat dan niet en neem contact op met het Consumer Care Centre in uw land.
- Dit apparaat is uitsluitend bedoeld voor normaal huishoudelijk gebruik. Het apparaat is niet bedoeld voor gebruik in personeelskeukens van bijvoorbeeld winkels, kantoren, boerderijen of vergelijkbare werkomgevingen en ook niet voor gebruik door gasten van hotels, motels, bed & breakfasts en andere verblijfsaccommodaties.

3.4 Elektromagnetische velden (EMV)

Dit Philips-apparaat voldoet aan alle richtlijnen met betrekking tot elektromagnetische velden (EMV). Mits het apparaat op de juiste wijze en volgens de instructies in deze gebruiksaanwijzing wordt gebruikt, is het veilig te gebruiken volgens het nu beschikbare wetenschappelijke bewijs.

4 Voor het eerste gebruik

4.1 De kloktijd instellen

- 1 Steek de stekker in het stopcontact.
 - *De start-/standby-knop gaat branden.*
- 2 Druk op de start-/stand-byknop (fig. 2).
 - *Het display gaat branden en het apparaat piept tweemaal.*

⚠ Opmerking:
Als u niet binnen 5 minuten op een knop drukt, gaat het apparaat naar stand-bymodus. In dat geval gaat het display uit en blijft alleen de start-/stand-byknop aan om aan te geven dat het apparaat nog steeds is ingeschakeld. In de stand-bymodus kunt u op iedere knop drukken om het apparaat te reactiveren.

 - *Op het display knippert 12:00 om aan te geven dat u de kloktijd moet instellen. (fig. 3)*
- 3 Druk herhaaldelijk op de HOUR-knop om het uur in te stellen (fig. 4).
 - *Het apparaat piept iedere keer dat u op een knop drukt.*
- 4 Druk herhaaldelijk op de MINUTE-knop om de minuten in te stellen. (fig. 5)
 - *Het apparaat piept iedere keer dat u op een knop drukt.*
- 5 Het display toont de ingestelde kloktijd. De koffiezetter is klaar voor gebruik.

4.2 Het apparaat doorspoelen

Voor het eerste gebruik dient u de koffiezetter eenmaal door te spoelen.

- 1 Open het deksel van het waterreservoir. Vul het waterreservoir met vers koud water **tot de 10-kopsaanduiding**. (fig. 6)

⚠ Opmerking:

Vul het apparaat niet met koffiebonen of gemalen koffie.

- 2 Sluit het deksel van het waterreservoir.
- 3 Plaats de geïsoleerde kan in het apparaat (fig. 7).

Opmerking:

Zorg ervoor dat het deksel op de kan is geplaatst en dat de pijl op het deksel naar het gesloten/koffiezetstelsel wijst (zie 'Met koffiebonen' in hoofdstuk 'Het apparaat gebruiken'). Zorg er ook voor dat de kan correct in het apparaat is geplaatst. De tuit moet in het apparaat wijzen. Als het deksel niet op de kan of de kan niet goed in het apparaat is geplaatst, wordt automatisch de druppelstop geactiveerd (zie 'Druppelstopfunctie' in hoofdstuk 'Het apparaat gebruiken').

- 4 Druk op de start-/stand-byknop (fig. 2).
 - *Het apparaat piept en het display gaat branden.*
- 5 Druk op de knop voor voorgemalen koffie om de molen uit te schakelen (fig. 8).
 - *De knop voor voorgemalen koffie gaat branden.*

Opmerking:

Wanneer u de molen uitschakelt, worden het aantal koppen en de koffiesterkte niet op het display getoond.

- 6 Druk op de start-/stand-byknop om het koffiezetproces te starten (fig. 9).
 - *De versheidsindicator op het display knippert snel tot het koffiezetproces is beëindigd.*
 - *De koffiezetter piept 5 keer als het koffiezetproces beëindigd is.*
- 7 Leeg de kan.

5 Het apparaat gebruiken

5.1 Het waterreservoir vullen

- 1 Open het deksel van het waterreservoir en vul het waterreservoir met de benodigde hoeveelheid koud water: (fig. 6)
Er staan aanduidingen voor 4 tot 10 koppen (550 ml tot 1375 ml) op het waterniveaustreepje. U kunt deze aanduidingen gebruiken om vast te stellen hoeveel water u in het waterreservoir moet doen. Bedenk wel dat de hoeveelheid gezette koffie iets minder zal zijn, aangezien gemalen koffie water absorbeert.

Opmerking: (fig. 10)

Vul het waterreservoir niet voorbij de 10-kopsaanduiding, anders kan er water uit de opening aan de achterzijde lopen.

5.2 Met koffiebonen

Waarschuwing:

Vul de koffiebonenbak niet met espressokoffiebonen. Gebruik alleen normale koffiebonen.

Waarschuwing:

Houd altijd het deksel van het waterreservoir gesloten wanneer u de koffiebonenbak met koffiebonen vult. Anders kunnen de koffiebonen in het waterreservoir vallen en de waterinlaat verstoppen.

- 1 Druk op de OPEN-knop op de rechter zijkant van de koffiezetter om de filtermandhouder te openen. (fig. 11)
- 2 Plaats een filterzakje (nr. 4) in de filtermand om de gemalen koffie op te vangen. (fig. 12)
- 3 Sluit de filtermandhouder.
- 4 Draai het deksel van de kan met zijn hendel naar de stand 'gesloten/koffiezetten'. In deze stand wijst de pijl op het deksel naar het gesloten/koffiezetstelsel op de rand (fig. 13).

- 5** Plaats de kan in het apparaat.

*** Tip:**

Als u de koffie langer warm wilt houden, spoel dan de kan met heet water. Hierdoor wordt de kan voorverwarmd voordat u koffie gaat zetten.

- 6** Verwijder het deksel van het bonenreservoir (1) en vul het reservoir met koffiebonen (2). Zorg dat er voldoende koffiebonen in het reservoir zitten voor de hoeveelheid koffie die u wilt zetten (fig. 14).

⊖ Opmerking:

Zorg er altijd voor dat het bonenreservoir ten minste voor de helft gevuld is.

⚠ Waarschuwing:

De maximale capaciteit van het bonenreservoir is 250 g. Overschrijd deze hoeveelheid niet, om te voorkomen dat de molen vastloopt.

⚠ Waarschuwing:

Gebruik geen ongebrande of gekaramelliseerde bonen, om te voorkomen dat de molen vastloopt.

- 7** Stel de maalgraadkeuzeknop in op de gewenste maling: van fijn tot grof. Er zijn negen maalgraadstanden (fig. 15).

*** Tip:**

Wij adviseren u om met de verschillende maalgraadstanden te experimenteren om te ontdekken welke stand u het prettigst vindt.

- 8** Om het aantal koppen te kiezen, drukt u op de 4-10-kops knop tot het gewenste aantal is bereikt (fig. 16).
- *Wanneer u op de 4-10-kops knop drukt, gaat de knop kort branden en piept het apparaat.*
 - *Het gekozen aantal koppen verschijnt op het display.*

⊖ Opmerking:

Zorg ervoor dat het aantal koppen dat u instelt met de 4-10-kops knop overeenkomt met de hoeveelheid water in het waterreservoir. Bedenk daarbij wel dat de koffiezetter al het water in het waterreservoir gebruikt. Als het aantal koppen dat u kiest minder is dan de hoeveelheid water in het reservoir, dan wordt de koffie slapper.

- 9** Druk een of meerdere keren op de STRENGTH-knop tot de gewenste koffiesterkte is geselecteerd (mild, gemiddeld of sterk) (fig. 17).

- *Wanneer u op de STRENGTH-knop drukt, gaat deze kort branden en piept het apparaat.*
- *Op het display verschijnt de geselecteerde koffiesterkte.*

- 10** Druk op de start-/stand-byknop (fig. 18).

- *Het apparaat piept en het display gaat branden.*

- 11** Druk nogmaals op de start-/stand-byknop om het koffiezetproces te starten (fig. 19).

⚠ Waarschuwing:

Blijf tijdens het koffiezetten uit de buurt van de stoomuitlaat, aangezien hete stoom door de uitlaat ontsnapt.

- *De molen maalt de noodzakelijke hoeveelheid koffiebonen.*
- *De versheidsindicator op het display knippert snel tot het koffiezetproces is beëindigd.*
- *De koffiezetter piept 5 keer als het koffiezetproces beëindigd is.*

- 12** Wacht tot de koffiezetter is gestopt met piepen voor u de kan verwijderd.

⊖ Opmerking:

Na het koffiezetten druppelt er nog enkele seconden koffie uit de filtermand.

- *De versheidsindicator op het display knippert langzaam gedurende 30 minuten na het koffiezetten, om aan te geven dat de koffie vers is. (fig. 20)*

- 13** Om koffie in te schenken, draait u het deksel naar de schenkstand. In deze stand wijst de pijl op het deksel naar het schenksymbool op de rand (fig. 21).

 **Opmerking:**

Als u de koffie warm wilt houden, sluit dan altijd het deksel nadat u koffie hebt geschonken.

5.3 Met voorgemalen koffie

Volg de onderstaande stappen als u voorgemalen koffie wilt gebruiken in plaats van koffiebonen.

- 1** Volg stap 1 en 2 in 'Met koffiebonen'.
2 Schep voorgemalen koffie in het filterzakje.

 **Opmerking:**

Hoeveel voorgemalen koffie u gebruikt, is een kwestie van persoonlijke smaak. Voor middelsterke koffie gebruikt u één maatlepel (ongeveer 6 g) per kop (125 ml).

- 3** Sluit de filtermandhouder.
4 Draai het deksel van de kan met de hendel naar het gesloten/koffiezetssymbool op het deksel. Zet de kan in het apparaat.
5 Druk op de start-/stand-byknop.
 - *Het apparaat piept en het display gaat branden.***6** Druk op de knop voor voorgemalen koffie om de molen uit te schakelen (fig. 8).
 - *De knop gaat branden als u erop drukt.*

 **Opmerking:**

Wanneer u de molen uitschakelt, worden het aantal koppen en de koffiesterkte niet op het display getoond.

- 7** Volg stap 11 t/m 13 in 'Met koffiebonen'.

5.4 De timer instellen

Met de timer kunt u de tijd voor het starten van het koffiezetten programmeren.

- 1** Houd de PROGRAM-knop ingedrukt tot de programmaknop begint te knippen en 0:00 op het display verschijnt (fig. 22).

- 2** Druk herhaaldelijk op de HOUR-knop om het uur in te stellen. (fig. 23)

- *Het apparaat piept iedere keer dat u op een knop drukt.*

- 3** Druk herhaaldelijk op de MINUTE-knop om de minuten in te stellen. (fig. 24)

- *Het apparaat piept iedere keer dat u op een knop drukt.*
- *Het display toont de ingestelde timertijd.*

- 4** Kies het aantal koppen dat u wilt zetten. (fig. 25)

- 5** Kies de gewenste koffiesterkte (mild, gemiddeld of sterk). (fig. 26)

- 6** Druk op de PROGRAM-knop om de instellingen op te slaan. (fig. 27)

- *De PROGRAM-knop blijft branden.*
- *De kloktijd verschijnt op het display.*

- 7** Druk opnieuw op de PROGRAM-knop om het proces te onderbreken.

- *Het lampje van de PROGRAM-knop gaat uit.*

 **Opmerking:**

Als u de ingestelde tijd wilt wijzigen, druk dan op de PROGRAM-knop. De PROGRAM-knopindicator begint opnieuw te knippen. U kunt nu de nieuwe timertijd instellen door op de knoppen HOUR en MINUTE te drukken.

 **Opmerking:**

Als u koffie met gemalen koffie wilt zetten, druk dan op de knop voor voorgemalen koffie om de molen uit te schakelen voordat u het aantal koppen kiest.

5.5 Druppelstopfunctie

Dankzij de druppelstopfunctie kunt u de kan uit de koffiezetter verwijderen voordat het koffiezetten is beëindigd is. Wanneer u de kan verwijdert, zorgt de druppelstop ervoor dat er geen koffie meer in de kan stroomt.

 **Opmerking:**

Het koffiezetproces stopt niet wanneer u de kan verwijdert. Als u de kan niet binnen 20 seconden terugzet in het apparaat, loopt de filtermand over.

6 Reiniging en onderhoud

6.1 Schoonmaken na ieder gebruik

Waarschuwing:

Dompel het apparaat nooit in water of een andere vloeistof en spoel het ook niet af onder de kraan.

- 1** Haal de stekker uit het stopcontact.
- 2** Veeg de buitenkant van de koffiezetter schoon met een vochtige doek.
- 3** Maak de filtermand schoon met warm water en wat afwasmiddel.

6.2 De bonentrechter schoonmaken

Afhankelijk van de gebruiksfrequentie moet u de bonentrechter om de 1 tot 2 weken schoonmaken.

- 1** Steek de stekker in het stopcontact.
- 2** Druk op de start-/stand-byknop (fig. 2).
 - *Het display gaat branden.*
- 3** Druk op de start-/stand-byknop en trek de stekker uit het stopcontact.
- 4** Steek de platte kant van het handvat van de schoonmaakborstel in het slot van de bonentrechter en draai deze naar de 'open'-stand. (fig. 28)
- 5** Open het deksel van de bonentrechter (fig. 29).
- 6** Gebruik het schoonmaakborsteltje om resten gemalen koffie naar het onderste deel van de trechter te borstelen (fig. 30).

Tip:

Plaats een filterzakje in de filtermand om de gemalen koffie op te vangen.

- *De resten gemalen koffie vallen in de filtermand.*
- 7** Sluit het deksel van de bonentrechter en draai het slot naar de gesloten stand (fig. 31).
 - 8** Verwijder het filterzakje met de resten gemalen koffie en gooi het weg.

6.3 De geïsoleerde kan schoonmaken

Waarschuwing:

Dompel de geïsoleerde kan niet in water of een andere vloeistof en maak deze niet schoon in de vaatwasmachine.

- Als u het deksel van de kan wilt verwijderen, draai dan met de hendel naar het verwijdersymbool. Trek vervolgens het deksel van de kan (fig. 32).
- Maak de binnenkant van de kan schoon met een zachte borstel, warm water en een beetje afwasmiddel (fig. 33).

Tip:

U kunt hardnekkige bruine aanslag verwijderen door de kan met warm water te vullen en er een lepel soda aan toe te voegen. Laat de soda een tijdje inwerken.

- Spoel na het schoonmaken de koffiekant uit met vers, warm water (fig. 34).
- Als u het deksel op de kan wilt zetten, plaats de twee uitsteeksel van het deksel dan in de openingen in de rand van de kan. Draai vervolgens het deksel naar rechts naar het gesloten/koffiezetssymbool. (fig. 35)

6.4 De koffiezetter ontkalken

Wanneer (na circa 60 keer koffiezetten) het bericht 'CALC' op het display verschijnt, moet u de koffiezetter ontkalken, omdat de koffiezetter door kalk verstopt kan raken.

Regelmatig ontkalken verlengt de levensduur van de koffiezetter en garandeert langdurig een optimaal zetresultaat en een constante zettijd. Ontkalk de koffiezetter:

- na iedere 120 keer koffiezetten als u zacht water gebruikt (tot 18 dH).
- na iedere 60 keer koffiezetten als u hard water gebruikt (boven 18 dH).

U kunt contact opnemen met uw waterleidingbedrijf voor informatie over de waterhardheid in uw woongebied.

Opmerking:

Als u niet op de hoogte bent van de waterhardheid in uw woongebied en u bent niet in de gelegenheid om contact met uw waterleidingbedrijf op te nemen, raden wij u aan om het apparaat iedere keer dat het 'CALC'-bericht verschijnt te ontkalken.

Opmerking:

Om het 'CALC'-bericht van het display te verwijderen, drukt u gelijktijdig op de 4-10-kops knop en de STRENGTH-knop.

- 1** Open het deksel van het waterreservoir.
- 2** Vul het waterreservoir met 7 koppen blanke azijn (5% azijnzuur) en 3 koppen water (fig. 36).
- 3** Plaats een filterzakje (nr. 4) in de filtermand en sluit de filtermandhouder.
- 4** Plaats de lege kan in het apparaat (fig. 7).
- 5** Steek de stekker in het stopcontact.
- 6** Druk op de start-/stand-byknop (fig. 2).
- 7** Druk op de knop voor voorgemalen koffie om de molen uit te schakelen. Druk dan op de start-/stand-byknop om het koffiezetten te starten. (fig. 8)
- 8** Wacht tot de helft van de azijn-wateroplossing in de kan is gelopen. Druk dan op de start-/stand-byknop om het koffiezetproces te stoppen en de oplossing minimaal 15 minuten te laten weken.
- 9** Druk op de start-/stand-byknop om de koffiezetter weer in te schakelen en het apparaat het koffiezetproces te laten voltooien.
- 10** Leeg de kan en gooi het filterzakje weg.
- 11** Vul het waterreservoir met koud water en druk op de start-/stand-byknop om het koffiezetproces nogmaals te starten. Laat het koffiezetapparaat het volledige koffiezetproces doorlopen en leeg de kan.
- 12** Herhaal stap 12 tot het water niet meer naar azijn smaakt of ruikt.
- 13** Maak de filtermand en de kan schoon met warm water en wat afwasmiddel.

7 Accessoires bestellen

Ga naar www.shop.philips.com/service om accessoires en reserveonderdelen te kopen of ga naar uw Philips-dealer. U kunt ook contact opnemen met het Philips Consumer Care Centre in uw land (zie het 'worldwide garantie'-vouwblad voor contactgegevens).

8 Milieu

- Gooi het apparaat aan het einde van zijn levensduur niet weg met het normale huisvuil, maar lever het in op een door de overheid aangewezen inzamelpunt om het te laten recyclen. Op die manier levert u een bijdrage aan een schonere leefomgeving (fig. 37).

9 Garantie en ondersteuning

Als u informatie of ondersteuning nodig hebt, bezoek dan www.philips.com/support of lees het 'worldwide garantie'-vouwblad.

10 Problemen oplossen

Dit hoofdstuk behandelt in het kort de problemen die u kunt tegenkomen tijdens het gebruik van het apparaat. Als u het probleem niet kunt oplossen met de informatie hieronder, ga dan naar www.philips.com/support voor een lijst met veelgestelde vragen of neem contact op met het Consumer Care Centre in uw land.

Het apparaat werkt niet.

- Controleer of het voltage dat is aangegeven op het apparaat overeenkomt met de plaatselijke netspanning.
- Vul het waterreservoir met water.

Als ik de molen gebruik, is de koffie te slap.

- Zorg ervoor dat het aantal koppen dat u instelt met de 4-10-kops knop overeenkomt met de hoeveelheid water in het waterreservoir. Bedenk daarbij wel dat de koffiezetter al het water in het waterreservoir gebruikt.
- Gebruik de STRENGTH-knop om de koffiesterkte op 'sterk' in te stellen.
- Als u koffiebonen gebruikt, zorg er dan voor dat u niet op de knop voor voorgemalen koffie drukt, aangezien hierdoor de molen wordt uitgeschakeld.
- Gebruik koffiebonen van een sterkere melange of smaak.
- Stel met de 4-10-kops knop een hoger aantal koppen in dan waarvoor u het waterreservoir vult om sterkere koffie te zetten.

Als ik voorgemalen koffie gebruik, is de koffie te slap.

- Zorg ervoor dat de hoeveelheid voorgemalen koffie in het filter in overeenstemming is met de hoeveelheid water in het waterreservoir. Bedenk daarbij wel dat het apparaat al het water in het waterreservoir gebruikt.
- Gebruik gemalen koffie van een sterkere melange of smaak.
- Gebruik meer voorgemalen koffie of minder water om sterkere koffie te verkrijgen.

Het filter stroomt over wanneer ik de kan tijdens het koffiezetten uit het apparaat verwijder.

- Als u de kan tijdens het koffiezetproces meer dan 20 seconden verwijdert, zal de druppelstop de filtermand doen overstromen. Denk er bovendien aan dat de koffie zijn volledige smaak niet bereikt voor het einde van het koffiezetproces. Daarom raden wij u aan de kan niet te verwijderen en geen koffie uit te schenken voor het einde van het koffiezetproces.

Het apparaat blijft nog lang doordruppelen nadat het koffiezetproces is voltooid.

- Het druppelen wordt veroorzaakt door de condensatie van stoom. Het is volkomen normaal dat het apparaat nog even blijft doordruppelen.
- Als het druppelen niet stopt, is de druppelstop mogelijk verstopt. Om de druppelstop schoon te maken, drukt u op de OPEN-knop aan de rechterkant van het apparaat om de filtermandhouder te openen. Verwijder de filtermand. Spoel vervolgens de filtermand en de druppelstop af onder de kraan.
- Als u de kan tijdens het koffiezetproces meer dan 20 seconden verwijdert, zal de druppelstop de filtermand doen overstromen.

De koffie is niet heet genoeg.

- Verwarm de kan voor met heet water voordat u koffie gaat zetten.
- De koffie in de kan koelt sneller af als u maar een paar koppen koffie zet. De koffie blijft langer warm als u 10 koppen koffie zet. Dit is een volle kan.
- Gebruik dunwandige koppen omdat deze de hitte van de koffie minder absorberen dan dikwandige koppen.
- Gebruik geen melk die net uit de koelkast komt.
- Ontkalk het apparaat. Zie 'Ontkalken' in hoofdstuk 'Schoonmaken en onderhoud'.

1 Innledning

Gratulerer med kjøpet og velkommen til Philips! Du får best mulig nytte av støtten som Philips tilbyr; hvis du registrerer produktet ditt på www.philips.com/welcome.

2 Generell beskrivelse (fig. 1)

- 1 Filterkurv
- 2 Dryppstopp
- 3 Steng av kaffebønnerennen
- 4 Bryter for malevalg
- 5 Skjerm
- 6 Knappen STRENGTH
- 7 Knappen for 4–10 kopper
- 8 Filterkurvholder
- 9 Lokk til isolert kanne
- 10 Isolert kanne
- 11 Hull til overflødig vann
- 12 Vannbeholder med vannivåvindu
- 13 Time-knappen (HOUR-knappen)
- 14 Programknappen (PROGRAM-knappen)
- 15 Minutt-knappen (MINUTE-knappen)
- 16 Knappen OPEN for filterkurvholder
- 17 Av/på, start/standby-knapp
- 18 Knapp for forhåndsmalt kaffe
- 19 Dampventil
- 20 Lokk på kaffebønnerenne
- 21 Lokk på vannbeholder
- 22 Kaffebønnebeholder
- 23 Lokk på kaffebønnebeholder
- 24 Rengjøringsbørste

3 Viktig

Les denne brukerveiledningen nøye før du bruker apparatet, og ta vare på den for senere referanse.

3.1 Fare

- Apparatet må ikke senkes ned i vann eller annen væske, og det må heller ikke skylles under rennende vann.
-

3.2 Advarsel

- Før du kobler til apparatet, må du kontrollere at spenningen som er angitt på undersiden av apparatet, stemmer overens med nettspenningen.
- Hvis ledningen er ødelagt, må den alltid skiftes ut av Philips, et servicesenter som er godkjent av Philips, eller lignende kvalifisert personell, slik at man unngår farlige situasjoner.
- Dette apparatet kan brukes av barn over 8 år og av personer som har nedsatt sanseevne eller fysisk eller psykisk funksjonsevne, eller personer med manglende erfaring eller kunnskap, dersom de får tilsyn eller instruksjoner om bruk av apparatet på en sikker måte og forstår risikoen. Barn ikke skal leke med apparatet. Rengjøring og brukervedlikehold skal ikke utføres av barn uten tilsyn.
- Barn skal ikke leke med apparatet.
- Oppbevar alltid ledningen utilgjengelig for barn. Ikke la ledningen henge over kanten av bordet eller benken.

- Ikke ta på maleverket på apparatet, det gjelder spesielt når det er koblet til en strømkilde.
- Oppbevar emballasjen (plastposer, pappmellomlegg osv.) utenfor barns rekkevidde – den er ikke et leketøy.
- Ikke berør de varme overflatene på apparatet mens det er i bruk.
- Dette apparatet er utviklet for å male bønner og lage kaffe. Bruk det riktig og forsiktig for å unngå å bli skåldet av varmt vann og damp.
- Du må ikke bruke apparatet hvis støpselet, ledningen eller selve apparatet er ødelagt.
- Hvis det oppstår et problem du ikke kan løse ved hjelp av denne brukerveiledningen, tar du kontakt med forbrukersenteret i landet der du bor. Hvis problemet ikke kan løses, tar du apparatet med til et servicesenter som er godkjent av Philips, for å få det undersøkt eller reparert. Ikke prøv å reparere apparatet selv. Hvis du gjør det, vil ikke garantien gjelde lenger.
- Vent til apparatet er avkjølt før du setter det bort. Apparatet kan være varmt.
- Ikke ta fra hverandre den isolerte kannen.
- Ikke senk den isolerte kannen ned i vann eller annen væske. Det kan føre til at det kommer vann inn mellom veggene i kannen.
- Den isolerte kannen kan ikke vaskes i oppvaskmaskin.
- Når den isolerte kannen er fylt med kaffe, må den stå rett for å unngå at den lekker.
- Under traktningen blir den nedre delen av apparatet og bunnen av den isolerte kannen varme.
- Etter at du har pakket ut apparatet, må du kontrollere at det er helt og uskadet. Hvis du er i tvil, må du ikke bruke apparatet, men ta kontakt med kundesenteret i landet der du bor.
- Dette apparatet er kun beregnet for vanlig bruk i hjemmet. Det er ikke beregnet for bruk på f.eks. bedriftskjøkken, butikker, kontorer, bondegårder eller andre arbeidsmiljøer. Det er heller ikke beregnet for å brukes av kunder på hoteller, moteller eller i andre typer bomiljøer.

3.3 Forsiktig

- Ikke plasser apparatet på en varm overflate, og pass på at ledningen ikke kommer i kontakt med varme overflater.
- Koble fra apparatet før du rengjør det, og hvis det oppstår problemer under malingen eller traktningen.
- Ikke flytt på apparatet når det er i bruk.

3.4 Elektromagnetiske felt (EMF)

Dette Philips-apparatet overholder alle standarder som gjelder for elektromagnetiske felt (EMF). Hvis det håndteres riktig og i samsvar med instruksjonene i denne brukerhåndboken, er det trygt å bruke det ut fra den kunnskapen vi har per dags dato.

4 Før første gangs bruk

4.1 Stille klokken

- 1 Sett støpselet i stikkkontakten.
 - **Start/standby-knappen lyser.**
- 2 Trykk på start/standby-knappen (fig. 2).
 - **Displayet lyser, og apparatet piper to ganger.**

Merk:

Hvis du ikke trykker på noen knapper innen fem minutter, går apparatet over i standbymodus. Når dette skjer, slås skjermen av og bare start/standby-knappen blir stående på for å indikere at apparatet fortsatt er på. I standbymodus kan du trykke på hvilken som helst knapp for å slå apparatet på igjen.

- **12:00 blinker på skjermen for å varsle om at du må stille klokken. (fig. 3)**
- 3 Trykk på time-knappen (HOUR-knappen) gjentatte ganger for å stille inn timen (fig. 4).
 - **Apparatet piper hver gang du trykker på knappen.**
 - 4 Trykk på minutt-knappen (MINUTE-knappen) gjentatte ganger for å stille inn minuttene. (fig. 5)
 - **Apparatet piper hver gang du trykker på knappen.**
 - 5 Skjermen viser det innstilte klokkeslettet. Kaffetrakteren er klar til bruk.

4.2 Skulle apparatet

Du må skulle kaffetrakteren én gang før bruk.

- 1 Åpne lokket på vannbeholderen. Fyll vannbeholderen med kaldt vann opp til **indikatoren for 10 kopper (fig. 6).**

Merk:

Ikke legg kaffebønner eller malt kaffe i apparatet.

- 2 Lukk lokket til vannbeholderen.
- 3 Sett den isolerte kannen i apparatet (fig. 7).

Merk:

Kontroller at lokket er på den isolerte kannen, og at pilen på lokket peker mot lukket/trakter-symbolet (se delen Bruke kaffebønner i avsnittet Bruke apparatet). Kontroller også at kannen er riktig plassert i apparatet. Tuten skal peke fremover og inn i apparatet. Hvis lokket ikke er på kannen eller kannen ikke er riktig plassert i apparatet, aktiveres dryppstoppfunksjonen automatisk (se delen Dryppstoppfunksjon i avsnittet Bruke apparatet).

- 4 Trykk på start/standby-knappen (fig. 2).
 - **Apparatet piper, og skjermen lyser.**
- 5 Trykk på knappen for forhåndsmaling av kaffe for å slå av maleren (fig. 8)
 - **Knappen for malt kaffe lyser.**

Merk:

Når du slår av maleren, vises ikke antall kopper og styrkeinnstillingen på skjermen.

- 6 Trykk på start/standby-knappen for å starte trakteprosessen (fig. 9).
 - **Ferskhetsindikatoren blinker raskt på skjermen til trakteprosessen er ferdig.**
 - **Kaffetrakteren piper 5 ganger når trakteprosessen er ferdig.**
- 7 Tøm kannen.

5 Bruke apparatet

5.1 Fylle vanntanken

- 1 Åpne lokket på vannbeholderen, og fyll vannbeholderen med mengden kaldt vann som kreves. (fig. 6)

Det er indikatorer for 4 til 10 kopper (550 til 1375 ml) på vannvåvinduet. Du kan bruke disse indikatorene til å bestemme hvor mye vann du skal ha i vannbeholderen. Husk at mengden traktet kaffe vil være litt mindre siden den malte kaffen absorberer vannet.

Merk: (fig. 10)

Ikke fyll vannbeholderen over indikatoren for 10 kopper. Da vil det komme vann ut av åpningen bak.

5.2 Bruke kaffebønner

Advarsel:

Ikke legg espresso-kaffebønner i kaffebønnebeholderen. Bruk kun vanlige kaffebønner.

Advarsel:

Hold alltid lokket på vannbeholderen lukket når du fyller kaffebønnebeholderen med kaffebønner. Hvis ikke kan kaffebønner falle ned i vannbeholderen og blokkere vanninntaket.

- 1 Trykk på åpne-knappen (OPEN-knappen) på høyre side av kaffetrakteren for å åpne filterkurvholderen. (fig. 11)
- 2 Plasser et papirfilter (nummer 4) i filterkurven for å samle opp den malte kaffen. (fig. 12)
- 3 Lukk filterkurvholderen.
- 4 Vri lokket på kannen ved hjelp av håndtaket til lukket/trakter-posisjonen. I denne posisjonen peker pilen på lokket mot lukket/trakter-symbolet på kanten (fig. 13).
- 5 Sett kannen i apparatet.

Tips:

Hvis du vil holde kaffen varm lenger, kan du skylle kannen med varmt vann for å forvarme den før du begynner å trakte kaffe.

- 6 Ta av lokket på kaffebønnebeholderen (1), og fyll beholderen med kaffebønner (2). Sørg for at det er nok kaffebønner i beholderen for den mengden kaffe du ønsker å trakte (fig. 14).

Merk:

Sørg alltid for at bønnebeholderen er minst halvfull.

Advarsel:

Maksimumkapasiteten til kaffebønnebeholderen er 250 g. Ikke overskrid denne mengden for å forhindre at maleren låser seg.

Advarsel:

Ikke bruk uristede eller karamelliserte bønner for å forhindre at maleren låser seg.

- 7 Vri på bryteren for malevalg for å velge ønsket type maling, fra fin til grov. Det finnes ni forskjellige maleinnstillinger (fig. 15).

Tips:

Vi anbefaler at du prøver deg frem med ulike maleinnstillinger til du finner den du foretrekker.

- 8 For å velge antall kopper trykker du på knappen for 4–10 kopper så mange ganger som det antallet kopper du ønsker (fig. 16).
 - *Når du trykker på knappen for 4–10 kopper, lyser den en kort stund og apparatet piper.*
 - *Det valgte antallet kopper vises på skjermen.*

Merk:

Kontroller at antallet kopper du velger med knappen for 4–10 kopper; samsvarer med mengden vann i vannbeholderen. Vær oppmerksom på at kaffetrakteren bruker alt vannet i vannbeholderen. Hvis du velger et antall kopper som er mindre enn mengden vann, blir kaffen svakere enn du hadde tenkt.

- 9 Trykk på knappen STRENGTH én eller flere ganger til ønsket kaffestyrke er valgt (mild, medium eller sterk) (fig. 17).
 - *Når du trykker på STRENGTH-knappen, lyser den en kort stund og apparatet piper.*
 - *Skjermen viser den valgte kaffestyrken.*
- 10 Trykk på start/standby-knappen (fig. 18).
 - *Apparatet piper, og skjermen lyser.*
- 11 Trykk på start/standby-knappen igjen for å starte trakteprosessen (fig. 19).

Advarsel:

Hold avstand fra dampventilen under traktningen, siden det kommer varm damp ut av ventilen.

- Maleren maler det nødvendige antallet kaffebønner.
- Ferskhetsindikatoren blinker raskt på skjermen til trakteprosessen er ferdig.
- Kaffeotrakteren piper fem ganger når trakteprosessen er ferdig.

12 Vent til kaffeotrakteren har sluttet å pipe før du fjerner kannen.

Merk:

Etter traktningen drypper det kaffe fra filterkurven i flere sekunder.

- Ferskhetsindikatoren blinker sakte på skjermen i 30 minutter etter traktningen for å vise at kaffen er fersk. (fig. 20)

13 Hell ut kaffe ved å vri lokket til posisjonen for helling. I denne posisjonen peker pilen på lokket mot hellesymbolet på kanten (fig. 21).

Merk:

For å holde kaffen varm må du lukke lokket etter at du har helt kaffe.

5.3 Bruke forhåndsmalt kaffe

Hvis du ønsker å bruke forhåndsmalt kaffe i stedet for kaffebønner, følger du trinnene nedenfor.

- 1** Følg trinnene 1 og 2 i delen Bruke kaffebønner.
- 2** Legg den forhåndsmalte kaffen i papirfilteret.

Merk:

Hvor mye forhåndsmalt kaffe du bruker, avhenger av hva du ønsker. For en middels sterk kopp kaffe bruker du én måleskje (ca. 6 g) for hver kopp (125 ml).

- 3** Lukk filterkurvholderen.
- 4** Vri lokket på kannen ved hjelp av håndtaket til lukket/trakter-symbolet på lokket. Sett kannen i apparatet.
- 5** Trykk på start/standby-knappen.
 - *Apparatet piper, og skjermen lyser.*

6 Trykk på knappen for forhåndsmaling av kaffe for å slå av maleren (fig. 8)

- *Knappen lyser når du trykker på den.*

Merk:

Når du slår av maleren, vises ikke antall kopper og styrkeinnstillingen på skjermen.

7 Følg trinnene 11 til 13 i delen Bruke kaffebønner.

5.4 Stille inn timeren

Med timeren kan du angi tiden som trakteprosessen skal begynne.

1 Hold nede programknappen (PROGRAM-knappen) til den begynner å blinke og 0:00 vises på skjermen (fig. 22).

2 Trykk på time-knappen (HOUR-knappen) gjentatte ganger for å stille inn timen. (fig. 23)

- *Apparatet piper hver gang du trykker på knappen.*

3 Trykk på minutt-knappen (MINUTE-knappen) gjentatte ganger for å stille inn minuttene. (fig. 24)

- *Apparatet piper hver gang du trykker på knappen.*
- *Det angitte klokkeslettet vises på skjermen.*

4 Velg antallet kopper du vil brygge. (fig. 25)

5 Velg kaffestyrken du ønsker (mild, medium eller sterk). (fig. 26)

6 Trykk på programknappen (PROGRAM-knappen) for å lagre innstillingene. (fig. 27)

- *Programknappen (PROGRAM-knappen) lyser kontinuerlig.*
- *Klokkeslettet vises på skjermen.*

7 Hvis du vil avbryte prosessen, trykker du på programknappen (PROGRAM-knappen) igjen.

- *Lysen i programknappen (PROGRAM-knappen) slukkes.*

Merk:

Hvis du vil bytte tiden som er angitt for timeren, trykker du på programknappen (PROGRAM-knappen). Indikatoren for program-knappen (PROGRAM-knappen) begynner å blinke igjen. Nå kan du angi ny tid for timeren ved å trykke på time- og minutt-knappene (HOUR- og MINUTE-knappene).

☹ Merk:

Hvis du vil brygge kaffe med malt kaffe, trykker du på knappen for filtermalt kaffe for å slå av kvernen for du velger antall kopper:

5.5 Dryppstoppfunksjon

Dryppstoppfunksjonen gjør at du kan fjerne kannen fra kaffetrakteren før traktesyklusen er ferdig. Når du fjerner kannen, sørger dryppstoppfunksjonen for at det slutter å renne kaffe inn i kannen.

☹ Merk:

Trakteprosessen stopper ikke når du fjerner kannen. Hvis du ikke setter kannen tilbake på varmeplaten innen 20 sekunder, renner filterkurven over.

6 Rengjøring og vedlikehold

6.1 Rengjør etter hver gangs bruk

⚠ Advarsel:

Apparatet må ikke senkes ned i vann eller annen væske, og det må heller ikke skylles under rennende vann.

- 1 Ta ut støpselet av stikkkontakten.
- 2 Tørk av utsiden av kaffetrakteren med en fuktig klut.
- 3 Rengjør filterkurven med varmt vann og litt oppvaskmiddel.

6.2 Rengjøre kaffebønnerennen

Du må rengjøre kaffebønnerennen hver eller annenhver uke, avhengig av hvor ofte den brukes.

- 1 Sett støpselet i stikkkontakten.
- 2 Trykk på start/standby-knappen (fig. 2).
 - *Displayet begynner å lyse.*
- 3 Trykk på start/standby-knappen, deretter tar du støpselet ut av stikkkontakten.

- 4 Sett den flate enden av håndtaket på rengjøringsbørsten inn i låsen på kaffebønnerennen, og vri låsen til åpen posisjon. (fig. 28)

- 5 Åpne lokket på kaffebønnerennen (fig. 29).

- 6 Bruk rengjøringsbørsten til å børste restene av den malte kaffen inn i den lavere delen av rennen (fig. 30).

☹ Tips:

Plasser et papirfilter i filterkurven for å samle opp den malte kaffen.

- *Restene av den malte kaffen faller ned i filterkurven*

- 7 Lukk lokket på kaffebønnerennen, og vri låsen til låst posisjon (fig. 31).

- 8 Ta ut papirfilteret med restene av den malte kaffen, og kast det i søppelet.

6.3 Rengjøre den isolerte kannen

⚠ Advarsel:

Ikke senk den isolerte kannen ned i vann eller annen væske, og ikke rengjør den i oppvaskmaskin.

- For å ta av lokket på kannen vrir du det med spaken til fjern lokk-symbolet. Deretter drar du lokket av kannen (fig. 32).
- Rengjør kannen innvendig med en myk børste, varmt vann og litt oppvaskmiddel (fig. 33).

☹ Tips:

Gjenstridige brune avleiringer kan fjernes ved å fylle kannen med varmt vann tilsatt en skje med natriumkarbonat. La løsningen virke en stund.

- Når du har rengjort kannen, skyller du den i rent, varmt vann (fig. 34).
- For å sette lokket på kannen kan du sette tappene på lokket inn i åpningene på kanten av kannen. Deretter vrir du lokket mot høyre til det peker mot lukket/traktersymbolet. (fig. 35)

6.4 Avkalke kaffetrakteren

Når meldingen CALC vises på skjermen (etter ca. 60 trakteprosesser), må du avkalke kaffetrakteren, siden kalk kan tette den.

Regelmessig avkalking forlenger kaffetrakterens levetid og garanterer best mulig trakteresultat og en konstant traktetid over lang tid. Avkalk kaffetrakteren:

- hver 120. traktesyklus hvis du bruker mykt vann (opptil 18 dH)
- hver 60. traktesyklus hvis du bruker hardt vann (over 18 dH)

Du kan kontakte det lokale vannverket hvis du trenger informasjon om vannets hardhetsgrad der du bor.

Merk:

Hvis du ikke kjenner vannets hardhetsgrad der du bor, og ikke kan kontakte det lokale vannverket, anbefaler vi at du avkalker apparatet hver gang meldingen CALC vises på skjermen.

Merk:

For å fjerne meldingen CALC fra displayet trykker du på knappen for 4–10 kopper og knappen STRENGTH samtidig.

- 1 Åpne lokket til vannbeholderen.
- 2 Fyll vannbeholderen med 7 kopper hvit eddik (5 %) og 3 kopper vann (fig. 36).
- 3 Plasser et papirfilter (no. 4) i filterkurven, og lukk filterkurvholderen.
- 4 Sett den tomme kannen i apparatet (fig. 7).
- 5 Sett støpselet i stikkontakten.
- 6 Trykk på start/standby-knappen (fig. 2).
- 7 Trykk på knappen for malt kaffe for å slå av kvernen. Deretter trykker du på start/standby-knappen for å starte trakteprosessen. (fig. 8)
- 8 Vent til halvparten av eddikblandingen har rent ned i kannen. Deretter trykker du på start/standby-knappen for å stoppe trakteprosessen og lar blandingen ligge i minst 15 minutter.
- 9 Trykk på start/standby-knappen for å slå på kaffetrakteren igjen, og la apparatet fullføre trakteprosessen.
- 10 Tøm kannen, og kast papirfilteret.

11 Fyll vannbeholderen med kaldt vann, og trykk på start/standby-knappen for å starte en ny trakteprosess. La kaffetrakteren fullføre hele trakteprosessen, og tøm kannen.

12 Gjenta trinn 12 til vannet ikke lenger smaker eller lukter eddik.

13 Rengjør filterkurven og kannen med varmt vann og litt oppvaskmiddel.

7 Bestille tilbehør

Hvis du vil kjøpe tilbehør eller reservedeler, kan du gå til www.shop.philips.com/service eller gå til en Philips-forhandler. Du kan også ta kontakt med Philips' forbrukerstøtte i landet der du bor (se i garantiheftet for kontaktinformasjon).

8 Miljø

- Ikke kast apparatet som vanlig husholdningsavfall når det ikke kan brukes lenger. Lever det på en gjenvinningsstasjon. Slik bidrar du til å ta vare på miljøet (fig. 37).

9 Garanti og støtte

Hvis du trenger kundestøtte eller informasjon, kan du gå til www.philips.com/support eller lese i garantiheftet.

10 Feilsøking

Dette avsnittet gir en oppsummering av de vanligste problemene som kan oppstå med apparatet. Hvis du ikke kan løse problemet ved hjelp av informasjonen nedenfor, kan du gå til www.philips.com/support for å se en liste over vanlige spørsmål, eller du kan kontakte forbrukerstøtten i landet der du bor.

Apparatet virker ikke.

- Kontroller at spenningen som er angitt på apparatet, stemmer overens med nettspenningen.
- Fyll vannbeholderen med vann.

Når jeg bruker maleren, er kaffen for svak.

- Sørg for at antallet kopper du velger med knappen for 4–10 kopper, passer til mengden vann i vannbeholderen. Husk at kaffetrakteren bruker alt vannet i vannbeholderen.
- Bruk knappen STRENGTH for å angi kaffestyrken til sterk.
- Når du bruker kaffebønner, må du sørge for ikke å trykke på knappen for forhåndsmalt kaffe, siden maleren da blir slått av.
- Bruk kaffebønner fra en sterkere blanding eller smak.
- For å øke kaffestyrken velger du et høyere antall kopper med knappen for 4–10 kopper enn antall kopper du fyller oppi vannbeholderen.

Når jeg bruker forhåndsmalt kaffe, blir kaffen for svak.

- Sørg for at mengden med forhåndsmalt kaffe i filteret passer til mengden vann i vannbeholderen. Husk at apparatet bruker alt vannet i vannbeholderen.
- Bruk malt kaffe fra en sterkere blanding eller smak.
- For å øke styrken på kaffen kan du øke mengden forhåndsmalt kaffe eller redusere mengden vann.

Filteret renner over når jeg fjerner kannen fra apparatet mens det trakter kaffe.

- Hvis du fjerner kannen i mer enn 20 sekunder i løpet av trakteprosessen, gjør dryppstoppen at filterkurven renner over. Vær også oppmerksom på at kaffen ikke blir så smakfull som den skal være, før på slutten av trakteprosessen. Derfor anbefaler vi at du ikke fjerner kannen og heller ut kaffe før trakteprosessen er ferdig.

Apparatet fortsetter å dryppe lenge etter at trakteprosessen er ferdig.

- Dryppingen forårsakes av kondens fra dampen. Det er helt normalt at apparatet drypper en stund.
- Hvis dryppingen ikke stopper, kan det hende at dryppstoppen er blokkert. Du rengjør dryppstoppen ved å trykke på åpneknappen (OPEN-knappen) på høyre side av apparatet for å åpne filterkurvholderen. Ta ut filterkurven. Skyll deretter filterkurven og dryppstoppen under springen.
- Hvis du fjerner kannen i mer enn 20 sekunder i løpet av trakteprosessen, fører dryppstoppet til at filterkurven renner over.

Kaffen er ikke varm nok.

- Varm opp kannen med varmt vann før du begynner å trakte kaffe.
- Kaffen i kannen avkjøles raskere hvis du bare trakter noen få kopper. Kaffen holder seg varm lenger hvis du trakter 10 kopper, som utgjør en full kanne.
- Bruk tynne kopper ettersom de absorberer mindre varme fra kaffen enn tykke kopper.
- Ikke bruk melk som kommer direkte fra kjøleskapet.
- Avkalk apparatet. Se delen Avkalkning i kapitlet Rengjøring og vedlikehold.

1 Introdução

Parabéns pela sua compra e bem-vindo à Philips! Para tirar todo o partido da assistência fornecida pela Philips, registre o seu produto em www.philips.com/welcome.

2 Descrição geral (fig. 1)

- 1 Cesto porta-filtro
- 2 Sistema anti-pingos
- 3 Bloqueio da entrada dos grãos de café
- 4 Botão de selecção da moagem
- 5 Visor
- 6 Botão STRENGTH
- 7 Botão de 4 a 10 chávenas
- 8 Suporte do cesto porta-filtro
- 9 Tampa do jarro térmico
- 10 Jarro térmico
- 11 Orifício de escoamento
- 12 Depósito de água com janela indicadora do nível da água
- 13 Botão HOUR
- 14 Botão PROGRAM
- 15 Botão MINUTE
- 16 Botão OPEN para o suporte do cesto porta-filtro
- 17 Botão ligar/desligar, iniciar/em espera
- 18 Botão para café pré-moído
- 19 Ventilação do vapor
- 20 Tampa da entrada dos grãos de café
- 21 Tampa do reservatório para água
- 22 Compartimento para grãos de café
- 23 Tampa do compartimento para grãos de café
- 24 Escova de limpeza

3 Importante

Leia cuidadosamente este manual do utilizador antes de utilizar o aparelho e guarde-o para consultas futuras.

3.1 Perigo

- Nunca mergulhe o aparelho em água ou noutro líquido, nem o enxagúe em água corrente.

3.2 Aviso

- Verifique se a voltagem indicada na parte inferior do aparelho corresponde à voltagem eléctrica local, antes de ligar o aparelho.
- Se o fio estiver danificado, deve ser sempre substituído pela Philips, por um centro de assistência autorizado da Philips ou por pessoal devidamente qualificado para se evitarem situações de perigo.
- Este aparelho pode ser utilizado por crianças com idade igual ou superior a 8 anos e por pessoas com capacidades físicas, sensoriais ou mentais reduzidas, ou com falta de experiência e conhecimento, caso sejam supervisionadas ou tenham recebido instruções relativas à utilização segura do aparelho e se tiverem sido alertadas para os perigos envolvidos. As crianças não podem brincar com o aparelho. A limpeza e a manutenção do utilizador não podem ser efectuadas por crianças sem supervisão.
- As crianças não podem brincar com o aparelho.

- Mantenha o fio de alimentação fora do alcance das crianças. Não deixe o fio de alimentação suspenso na mesa ou na bancada da cozinha onde o aparelho estiver colocado.
 - Não toque nas mós do aparelho, especialmente quando este se encontra ligado à corrente.
 - Mantenha os materiais de embalagem (sacos de plástico, protecções em cartão, etc.) fora do alcance das crianças, visto que estes não são brinquedos.
 - Não toque nas superfícies quentes do aparelho enquanto este se encontra em funcionamento.
 - Esta máquina foi concebida para moer grãos e fazer café. Utilize-a correctamente e com cuidado para evitar queimar-se com água quente ou vapor.
 - Não utilize o aparelho se a ficha, o fio de alimentação ou o próprio aparelho estiverem danificados.
 - Se surgir um problema impossível de resolver com a ajuda deste manual do utilizador, entre em contacto com o Centro de Assistência ao Cliente do seu país. Se não for possível resolver o problema, leve o aparelho para um centro de assistência autorizado pela Philips para este ser verificado ou reparado. Não tente reparar o aparelho sozinho, porque a garantia perde a validade.
- que o fio entre em contacto com superfícies quentes.
- Desligue o aparelho da corrente se ocorrer algum problema durante a moagem ou preparação de café e antes de o limpar.
 - Não mova o aparelho durante o seu funcionamento.
 - Aguarde até o aparelho arrefecer antes de o arrumar. O aparelho pode estar quente.
 - Não desmonte o jarro térmico.
 - Nunca mergulhe o jarro térmico em água ou em qualquer outro líquido, uma vez que isto provocar a entrada de água para o espaço entre as paredes do jarro.
 - O jarro térmico não é lavável na máquina de lavar loiça.
 - Quando o jarro térmico estiver cheio de café, mantenha-o na posição vertical para evitar fugas.
 - Durante a preparação de café, a parte inferior do aparelho e a base do jarro térmico aquecem.
 - Depois de desembalar a máquina, certifique-se de que ela está completa e não apresenta danos. Se tiver alguma dúvida, contacte o Centro de Apoio ao Cliente do seu país antes de utilizar a máquina.
 - Este aparelho destina-se apenas à utilização doméstica normal. Não se destina a ambientes como copas de pessoal em lojas, escritórios, quintas e outros ambientes de trabalho. Também não é adequado para a utilização por clientes em hotéis, motéis, estalagens e outros ambientes residenciais.

3.3 Cuidado

- Não coloque o aparelho sobre uma superfície quente e evite

3.4 Campos electromagnéticos (CEM)

Este aparelho da Philips respeita todas as normas relacionadas com campos electromagnéticos (CEM). Se for manuseado correctamente e de acordo com as instruções neste manual do utilizador, este aparelho proporciona uma utilização segura, como demonstrado pelas provas científicas actualmente disponíveis.

4 Antes da primeira utilização

4.1 Programar o relógio

1 Introduza a ficha de alimentação na tomada eléctrica.

- *O botão iniciar/em espera acende-se.*

2 Prima o botão iniciar/em espera (fig. 2).

- *O visor acende-se e o aparelho emite dois sinais sonoros.*

Nota:

Se não premir nenhum botão num intervalo de 5 minutos, o aparelho passa para o modo de espera. Neste caso, o visor apaga-se e apenas o botão iniciar/em espera se mantém aceso para indicar que o aparelho continua ligado. No modo de espera, pode premir qualquer botão para reactivar o aparelho.

- *12:00 é apresentado no visor de forma intermitente para indicar que tem de definir a hora. (fig. 3)*

3 Prima o botão HOUR repetidamente para definir a hora (fig. 4).

- *O aparelho emite um sinal sonoro sempre que o botão é premido.*

4 Prima o botão MINUTE repetidamente para definir os minutos. (fig. 5)

- *O aparelho emite um sinal sonoro sempre que o botão é premido.*

5 O visor apresenta a hora definida. A máquina de café está pronta para ser utilizada.

4.2 Limpeza do aparelho

Deve limpar a máquina de café uma vez antes da primeira utilização.

1 Abra a tampa do depósito de água. Encha o depósito de água com água fria limpa **até à indicação para 10 chávenas.** (fig. 6)

Nota:

Não coloque grãos de café nem café moído no aparelho.

2 Feche a tampa do reservatório de água.

3 Coloque o jarro térmico no aparelho (fig. 7).

Nota:

Assegure-se de que a tampa do jarro se encontra no jarro e de que a seta na tampa está direccionada para o símbolo "fechado/a preparar" (consulte o capítulo "Utilizar o aparelho", secção "Utilizar grãos de café"). Assegure-se também de que o jarro está colocado correctamente no aparelho. O seu bico tem de estar voltado para o aparelho. Se a tampa não estiver no jarro ou se o jarro não estiver colocado correctamente no aparelho, a função anti-pingos é activada automaticamente (consulte o capítulo "Utilizar o aparelho", secção "Função anti-pingos").

4 Prima o botão iniciar/em espera (fig. 2).

- *O aparelho emite sinais sonoros e o visor acende-se.*

5 Prima o botão do café pré-moído para desligar o moinho (fig. 8).

- *O botão do café de pré-moído acende-se.*

Nota:

Quando desliga o moinho, o número de chávenas e a regulação da intensidade não são apresentados no visor.

6 Prima o botão iniciar/em espera para iniciar o processo de preparação (fig. 9).

- *O indicador de frescura apresenta uma intermitência rápida no visor até o processo de preparação de café estar concluído.*
- *A máquina de café emite 5 sinais sonoros quando o processo de preparação de café estiver concluído.*

7 Esvazie o jarro.

5 Utilizar o aparelho

5.1 Encher o reservatório da água

- 1 Abra a tampa do depósito da água e encha-o com a quantidade necessária de água fria. (fig. 6)

Há indicações para 4 a 10 chávenas (550 ml a 1375 ml) na janela indicadora do nível da água. Pode utilizar estas indicações para determinar quanta água deve colocar no reservatório de água. Lembre-se de que a quantidade de café preparado será um pouco menos, visto que o café moído absorve água.

Nota: (fig. 10)

Não encha o depósito da água além da indicação de 10 chávenas, caso contrário é derramada água pela abertura na parte posterior.

5.2 Utilizar grãos de café

Aviso:

Não coloque grãos para café expresso no recipiente de grãos de café. Utilize apenas grãos de café normais.

Aviso:

Mantenha sempre a tampa do depósito da água fechada, enquanto enche o recipiente de grãos de café com grãos de café. Caso contrário, podem cair grãos de café no depósito de água e bloquear a entrada da água.

- 1 Prima o botão OPEN do lado direito da máquina de café para abrir o suporte do cesto porta-filtro. (fig. 11)
- 2 Coloque um filtro de papel (n.º 4) no cesto porta-filtro para recolher o café moído. (fig. 12)
- 3 Feche o suporte do cesto porta-filtro.
- 4 Rode a tampa do jarro para a posição com o símbolo “fechado/a preparar”, utilizando o respectivo manípulo. Nesta posição, a seta na tampa está direccionada para o símbolo “fechado/a preparar” no rebordo (fig. 13).

- 5 Coloque o jarro no aparelho.

Sugestão:

Para manter o café quente durante mais tempo, enxagúe o jarro com água quente para o pré-aquecer antes de começar a preparar café.

- 6 Retire a tampa do compartimento para grãos de café (1) e encha o recipiente com grãos de café (2). Assegure-se de que há grãos de café suficientes no recipiente para a quantidade de café que pretende preparar (fig. 14).

Nota:

Assegure-se sempre de que o recipiente para grãos está, no mínimo, meio.

Aviso:

A capacidade máxima do recipiente para grãos de café é de 250 g. Para evitar que o moinho encrave, não exceda esta quantidade.

Aviso:

Para evitar que o moinho encrave, não utilize grãos caramelizados ou não torrados.

- 7 Rode o botão de selecção da moagem para seleccionar o tipo desejado de moagem (de fina a grossa). Existem nove regulações de moagem (fig. 15).

Sugestão:

Aconselhamo-lo a experimentar diferentes definições de moagem para descobrir a sua definição preferida.

- 8 Para seleccionar o número de chávenas, prima o botão de 4 a 10 chávenas tantas vezes como o número de chávenas pretendido (fig. 16).
 - Quando prime o botão de 4 a 10 chávenas, este acende-se por breves momentos e o aparelho emite alguns sinais sonoros.
 - O número seleccionado de chávenas é apresentado no visor.

Nota:

Assegure-se de que o número de chávenas que selecciona com o botão de 4 a 10 chávenas corresponde à quantidade de água no respectivo reservatório. Lembre-se de que a máquina de café utiliza toda a água no reservatório de água. Se seleccionar um número de chávenas menor do que a quantidade de água, o café torna-se mais fraco do que o pretendido.

9 Prima o botão STRENGTH uma ou várias vezes até a intensidade de café desejada estar seleccionada (suave, médio ou forte) (fig. 17).

- *Quando prime o botão STRENGTH, este acende-se por breves momentos e o aparelho emite alguns sinais sonoros.*
- *O visor apresenta a intensidade do café seleccionada.*

10 Prima o botão iniciar/em espera (fig. 18).

- *O aparelho emite sinais sonoros e o visor acende-se.*

11 Prima o botão iniciar/em espera novamente para iniciar o processo de preparação (fig. 19).

Aviso:

Mantenha-se afastado da saída de vapor durante a preparação, devido à fuga de vapor quente pelas aberturas de ventilação.

- *O moinho mói a quantidade necessária de grãos de café.*
- *O indicador de frescura apresenta uma intermitência rápida no visor até o processo de preparação de café estar concluído.*
- *A máquina de café emite 5 sinais sonoros quando o processo de preparação de café estiver concluído.*

12 Aguarde até a máquina de café parar de emitir sinais sonoros antes de retirar o jarro.

Nota:

Após a preparação, pinga café do cesto porta-filtro durante alguns segundos.

- *O indicador de frescura apresenta uma intermitência lenta no visor durante 30 minutos após a preparação, para indicar que o café está fresco. (fig. 20)*

13 Para servir o café, rode a tampa para a posição com o símbolo "servir". Nesta posição, a seta na tampa está direccionada para o símbolo "servir" no rebordo (fig. 21).

Nota:

Para manter o café quente, feche sempre a tampa depois de servir o café.

5.3 Utilizar café pré-moído

Se quiser utilizar café pré-moído em vez de grãos de café, siga os passos abaixo.

1 Siga os passos 1 e 2 na secção "Utilizar grãos de café".

2 Coloque o café pré-moído no filtro de papel.

Nota:

A quantidade de café pré-moído que utiliza é uma questão de gosto pessoal. Para um café médio a forte, utilize uma colher de medição (aproximadamente 6 g) para cada chávena (125 ml).

3 Feche o suporte do cesto porta-filtro.

4 Rode a tampa do jarro para a posição com o símbolo "fechado/a preparar" na tampa, utilizando o respectivo manípulo. Coloque o jarro no aparelho.

5 Prima o botão iniciar/em espera.

- *O aparelho emite sinais sonoros e o visor acende-se.*

6 Prima o botão do café pré-moído para desligar o moinho (fig. 8).

- *O botão acende-se quando é premido.*

Nota:

Quando desliga o moinho, o número de chávenas e a regulação da intensidade não são apresentados no visor.

7 Siga os passos 11 a 13 na secção "Utilizar grãos de café".

5.4 Regulação do temporizador

O temporizador permite-lhe programar a hora para iniciar o processo de preparação do café.

- 1** Mantenha o botão PROGRAM premido até o botão de programação ficar intermitente e 0:00 ser apresentado no visor (fig. 22).
- 2** Prima o botão HOUR repetidamente para definir a hora. (fig. 23)
 - *O aparelho emite um sinal sonoro sempre que o botão é premido.*
- 3** Prima o botão MINUTE repetidamente para definir os minutos. (fig. 24)
 - *O aparelho emite um sinal sonoro sempre que o botão é premido.*
 - *O visor apresenta a hora definida no temporizador.*
- 4** Selecione o número de chávenas que pretende preparar. (fig. 25)
- 5** Selecione o sabor do café pretendido (suave, médio ou forte). (fig. 26)
- 6** Prima o botão PROGRAM para guardar as definições. (fig. 27)
 - *O botão PROGRAM mantém-se aceso continuamente.*
 - *A hora é apresentada no visor.*
- 7** Para interromper o processo, prima o botão PROGRAM novamente.
 - *A luz do botão PROGRAM apaga-se.*

Nota:

Se quiser alterar a hora definida no temporizador, prima o botão PROGRAM. O indicador do botão PROGRAM fica novamente intermitente. Agora pode definir a nova hora para o temporizador premindo nos botões HOUR e MINUTE.

Nota:

Se pretender preparar café utilizando café moído, prima o botão do café de pré-moído para desligar o moinho antes de seleccionar o número de chávenas.

5.5 Função anti-pingos

A função anti-pingos permite-lhe retirar o jarro da máquina de café antes do processo de preparação de café estar terminado. Quando retira o jarro, a função anti-pingos pára o fluxo de café para o jarro.

Nota:

O processo de preparação de café não pára quando retira o jarro. Se não voltar a colocar o jarro no aparelho num intervalo de 20 segundos, o cesto porta-filtro transborda.

6 Limpeza e manutenção

6.1 Limpeza após cada utilização

Aviso:

Nunca mergulhe o aparelho em água ou noutro líquido, nem o enxágue em água corrente.

- 1** Retire a ficha de alimentação da tomada.
- 2** Limpe o exterior da máquina de café com um pano húmido.
- 3** Lave o cesto porta-filtro com água quente e um pouco de detergente da loiça.

6.2 Limpar a entrada dos grãos de café

Tem de limpar a entrada dos grãos de café a cada 1 a 2 semanas, dependendo da frequência de utilização.

- 1** Introduza a ficha de alimentação na tomada eléctrica.
- 2** Prima o botão iniciar/em espera (fig. 2).
 - *O visor acende-se.*
- 3** Prima o botão iniciar/em espera e retire a ficha de alimentação da tomada eléctrica.
- 4** Insira a extremidade plana da pega da escova de limpeza no bloqueio da entrada dos grãos de café e rode o bloqueio para a posição "aberta". (fig. 28)
- 5** Abra a tampa da entrada dos grãos de café (fig. 29).
- 6** Utilize a escova de limpeza para varrer os resíduos de café moído para a parte inferior da entrada (fig. 30).

Sugestão:

Coloque um filtro de papel no cesto porta-filtro para recolher o café moído.

- *Os resíduos de café moído caem no cesto porta-filtro.*

7 Feche a tampa da entrada dos grãos de café e rode o bloqueio para a posição “fechada” (fig. 31).

8 Retire o filtro de papel com os resíduos de café moído e elimine-o.

6.3 Limpeza do jarro térmico

Aviso:

Não mergulhe o jarro térmico em água ou em qualquer outro líquido, e não o lave na máquina de lavar loiça.

- Para retirar a tampa do jarro, rode-a para o símbolo “retirar tampa” utilizando o manípulo. Em seguida, puxe a tampa para fora do jarro (fig. 32).
- Lave o interior do jarro com uma escova macia, água quente e um pouco de detergente líquido (fig. 33).

Sugestão:

Para remover as manchas de café mais difíceis, encha o jarro com água quente e junte uma colher de carbonato de sódio. Deixe o carbonato actuar durante algum tempo.

- Depois de limpar, enxágue o jarro com água limpa e quente (fig. 34).
- Para colocar a tampa no jarro, insira as duas saliências da tampa nas aberturas no rebordo do jarro. Em seguida, rode a tampa para a direita para a posição do símbolo “fechado/a preparar”. (fig. 35)

6.4 Descalcificação da máquina de café

Quando a mensagem “CALC” for apresentada no visor (depois de aprox. 60 processos de preparação de café), deve remover o calcário da máquina de café, visto que o calcário pode obstruir a máquina de café.

Uma descalcificação regular prolonga a vida da máquina de café e garante um café impecável e um tempo de preparação constante durante um longo período de tempo. Descalcifique a máquina de café:

- a cada 120 ciclos de preparação, se utilizar água macia (até 18 dH).
- a cada 60 ciclos de preparação, se utilizar água dura (sobre 18 dH).

Pode contactar a companhia das águas local para se informar sobre o grau de dureza da água da sua área.

Nota:

Se não conhecer a dureza da água na sua área e não for possível contactar a direcção da companhia das águas local, aconselhamo-lo a proceder à descalcificação do aparelho sempre que a mensagem “CALC” for apresentada no visor.

Nota:

Para eliminar a mensagem “CALC” do visor; prima o botão de 4 a 10 chávénas e o botão STRENGTH em simultâneo.

- 1** Abra a tampa do depósito de água.
- 2** Encha o depósito da água com 7 chávénas de vinagre branco (5% de ácido acético) e 3 chávénas de água (fig. 36).
- 3** Coloque um filtro de papel (número 4) no cesto porta-filtro e feche o suporte do cesto porta-filtro.
- 4** Coloque o jarro vazio no aparelho (fig. 7).
- 5** Introduza a ficha de alimentação na tomada eléctrica.
- 6** Prima o botão iniciar/em espera (fig. 2).
- 7** Prima o botão do café pré-moído para desligar o moinho. Em seguida, prima o botão iniciar/em espera para iniciar o processo de preparação de café. (fig. 8)
- 8** Aguarde até metade da solução de vinagre/água fluir para o jarro. Em seguida, prima o botão iniciar/em espera para parar o processo de preparação de café e deixar a solução actuar durante 15 minutos, no mínimo.

- 9 Prima o botão iniciar/em espera para voltar a ligar a máquina de café e deixe o aparelho completar o processo de preparação de café.
- 10 Esvazie o jarro e coloque o filtro de papel no lixo.
- 11 Encha o depósito de água com água fria e prima o botão iniciar/em espera para iniciar outro processo de preparação de café. Deixe a máquina de café completar um processo completo de preparação de café e esvazie o jarro.
- 12 Repita o passo 12 até a água não apresentar um sabor ou cheiro a vinagre.
- 13 Lave o cesto porta-filtro e o jarro com água quente e algum detergente da loiça.

7 Encomendar acessórios

Para comprar acessórios ou peças sobressalentes, visite www.shop.philips.com/service ou vá ao seu revendedor Philips. Também pode contactar o Centro de Apoio ao Cliente da Philips no seu país (consulte os detalhes de contacto no folheto da garantia mundial).

8 Meio ambiente

- Não elimine o aparelho juntamente com os resíduos domésticos normais no final da sua vida útil. Entregue-o num ponto de recolha autorizado para reciclagem. Ao fazê-lo, ajuda a preservar o meio ambiente (fig. 37).

9 Garantia e assistência

Se precisar de informações ou assistência, visite www.philips.com/support ou leia o folheto da garantia mundial em separado.

10 Resolução de problemas

Este capítulo resume os problemas mais comuns que podem surgir no aparelho. Se não conseguir resolver o problema com as informações fornecidas a seguir, visite www.philips.com/support para consultar uma lista de perguntas frequentes ou contacte o Centro de Apoio ao Cliente no seu país.

O aparelho não funciona.

- Certifique-se de que a voltagem indicada no aparelho corresponde à voltagem eléctrica local.
- Encha o reservatório com água.

Quando utilizo o moinho, o café fica demasiado fraco.

- Assegure-se de que o número de chávenas que selecciona com o botão de 4 a 10 chávenas corresponde à quantidade de água no respectivo reservatório. Lembre-se de que a máquina de café utiliza toda a água no reservatório de água.
- Utilize o botão STRENGTH para regular a intensidade do café para "forte".
- Quando utiliza grãos de café, assegure-se que não prime o botão do café pré-moído, visto que isto desliga o moinho.
- Utilize grãos de café de uma mistura ou com um sabor mais forte.
- Para aumentar a intensidade do café, seleccione um número de chávenas com o botão de 4 a 10 chávenas superior à quantidade de chávenas que colocou no reservatório de água.

Quando utilizo café pré-moído, o café fica demasiado fraco.

- Assegure-se de que a quantidade de café pré-moído no filtro corresponde à quantidade de água no reservatório de água. Lembre-se de que o aparelho utiliza toda a água no reservatório de água.
- Utilize café moído de uma mistura ou com um sabor mais forte.
- Para aumentar a intensidade do café, aumente a quantidade de café pré-moído ou diminua a quantidade de água.

O filtro transborda quando retiro o jarro do aparelho enquanto o café está em preparação.

- Se retirar o jarro durante mais de 20 segundos durante o processo de preparação de café, a função anti-pingos provoca um transbordo do cesto porta-filtro. Tenha também em atenção que o café não alcança o máximo de sabor antes do final do processo de preparação de café. Portanto, aconselhamo-lo a não retirar o jarro para servir café antes do final do processo de preparação do mesmo.

O aparelho continua a pingar durante muito tempo depois do processo de preparação terminar.

- Os pingos são provocados pela condensação de vapor. É totalmente normal que o aparelho pingue durante algum tempo.
- Se os pingos não pararem, o sistema anti-pingos poderá estar obstruído. Para limpar o sistema anti-pingos, prima o botão OPEN no lado direito do aparelho para abrir o suporte do cesto porta-filtro. Retire o cesto porta-filtro. Enxagúe o cesto porta-filtro e o sistema anti-pingos em água corrente.
- Se retirar o jarro durante mais de 20 segundos durante o processo de preparação de café, a função anti-pingos provoca o transbordo do cesto porta-filtro.

O café não está bem quente.

- Pré-aqueça o jarro com água quente antes de começar a preparar o café.
- O café no jarro arrefece mais rapidamente se preparar apenas algumas chávenas. O café permanece quente durante mais tempo se preparar 10 chávenas, o que corresponde a um jarro cheio.
- Utilize chávenas de paredes finas, visto que estas absorvem menos o calor do café do que as chávenas de paredes grossas.
- Não utilize leite directamente do frigorífico.
- Remova o calcário do aparelho. Consulte a secção “Descalcificação” no capítulo “Limpeza e manutenção”.

1 Introduktion

Grattis till inköpet och välkommen till Philips!
För att dra maximal nytta av den support som
Philips erbjuder kan du registrera din produkt
på www.philips.com/welcome.

2 Allmän beskrivning (Bild 1)

- 1 Filterkorg
- 2 Droppstopp
- 3 Lås för rännan för kaffeböner
- 4 Vred för val av malning
- 5 Teckenfönster
- 6 Knapp för val av kaffestyrka
- 7 Knapp för 4–10 koppar
- 8 Filterkorghållare
- 9 Lock till isolerad kanna
- 10 Isolerad kanna
- 11 Översvämningshål
- 12 Vattenbehållare med vattennivåfönster
- 13 HOUR-knapp
- 14 PROGRAM-knapp
- 15 MINUTE-knapp
- 16 Knapp för öppning av filterkorghållaren
- 17 På/av-, start/standby-knapp
- 18 Knapp för förmalet kaffe
- 19 Ångöppning
- 20 Lock till rännan för kaffeböner
- 21 Lock till vattenbehållaren
- 22 Behållare för kaffeböner
- 23 Lock till behållaren för kaffeböner
- 24 Rengöringsborste

3 Önemli

Cihazı kullanmadan önce bu kullanım
kilavuzunu okuyun ve gelecekte de
başvurmak üzere saklayın.

3.1 Tehlike

- Cihazı kesinlikle suya veya başka
bir sıvıya batırmayın ya da muslukta
durulamayın.

3.2 Uyarı

- Cihazı prize takmadan önce,
cihazın tabanında belirtilen
gerilimin yerel şebeke gerilimiyle
uygunluğunu kontrol edin.
- Cihazın elektrik kablosu hasarlıysa,
bir tehlike oluşturmasını önlemek
için mutlaka Philips'in yetki verdiği
bir servis merkezi veya benzer
şekilde yetkilendirilmiş kişiler
tarafından değiştirilmesini sağlayın.
- Bu cihazın 8 yaşın üzerindeki
çocuklar ve fiziksel, motor ya da
zihinsel becerileri gelişmemiş veya
bilgi ve tecrübe açısından eksik
kişiler tarafından kullanımı sadece
bu kişilerin nezaretinden sorumlu
kişilerin bulunması veya cihazın
güvenli kullanım talimatlarının
bu kişilere sağlanması ve olası
tehlikelerin anlatılması durumunda
mümkündür. Çocuklar cihazla
oynamamalıdır. Temizlik ve kullanıcı
bakımı herhangi bir gözetim
olmadan çocuklar tarafından
yapılmamalıdır.
- Çocuklar cihazla oynamamalıdır.
- Elektrik kablosunu çocukların
ulaşabileceği yerlerden uzak
tutun. Elektrik kablosunun cihazın
bulunduğu masanın veya tezgahın
kenarından sarkmasına izin
vermeyin.
- Özellikle cihaz elektriğe bağlıyken
cihazın öğütücü uçlarına
dokunmayın.

- Ambalaj malzemeleri (plastik poşetler, karton parçalar vb.) oyuncak değildir ve çocukların ulaşamayacağı yerlerde saklanmalıdır.
- Cihaz çalışırken sıcak yüzeylerine dokunmayın.
- Bu cihaz kahve çekirdeği öğütme ve kahve yapmak için tasarlanmıştır. Sıcak su ve buhar nedeniyle yanmaları önlemek için doğru ve dikkatli bir biçimde kullanın.
- Cihazın fişi, kordonu veya kendisi hasarlıysa kesinlikle kullanmayın.
- Bu kullanma kılavuzuyla çözemeyeceğiniz bir sorun meydana gelirse, ülkenizdeki Müşteri Destek Merkezi'yle iletişim kurun. Sorun çözülmezse, cihazı kontrol veya onarım için yetkili bir Philips servis merkezine götürün. Cihazı kendi başınıza onarmaya çalışmayın, aksi takdirde cihazınızın garantisiz kalacaktır.
- Yalıtımlı sürahiyi parçalara ayırmayın.
- Sürahi duvarlarının arasına su girmesine neden olacağından, yalıtımlı sürahiyi kesinlikle suya ya da başka bir sıvıya batırmayın.
- Yalıtımlı sürahi bulaşık makinesinde yıkanamaz.
- Yalıtımlı sürahi kahve ile dolu iken, sızıntıyı engellemek için dik konumda tutun.
- Kahve pişirme sırasında, cihazın alt kısmı ve yalıtımlı sürahinin tabanı ısınır.
- Ambalajı açtıktan sonra, cihazın eksiksiz ve hasarsız olduğundan emin olun. Şüpheye düştüğünüz durumlarda cihazı kullanmayın ve ülkenizdeki Müşteri Destek Merkezi'yle iletişim kurun.
- Bu cihaz sadece evde kullanım için tasarlanmıştır. Mağazaların, ofislerin, çiftliklerin veya diğer işyerlerinin personel mutfakları gibi ortamlarda kullanılamaz. Otel, motel, pansiyon ve diğer konaklama ortamlarındaki kişiler tarafından kullanıma da uygundur.

3.3 Dikkat

- Kahve makinesini kesinlikle sıcak zeminlere yerleştirmeyin ve elektrik kordonunu sıcak cisimlere değdirmeyin.
- Kahve öğütürken veya yaparken ve temizlemeden önce sorun çıkarsa, cihazı fişten çekin.
- Çalışırken cihazı hareket ettirmeyin.
- Cihazı saklamadan önce soğumasını bekleyin; sıcak olabilir.

3.4 Elektromanyetik alanlar (EMF)

Bu Philips cihazı elektromanyetik alanlarla (EMF) ilgili tüm standartlara uygundur. Bu cihaz, gereği gibi ve bu kılavuzdaki talimatlara uygun şekilde kullanıldığında, bugünün bilimsel verilerine göre kullanımı güvenlidir.

4 Före första användningen

4.1 Ställa klockan

- 1 Sätt in stickkontakten i vägguttaget.
 - **Start/standby-knappen tänds.**
- 2 Tryck på start/standby-knappen (Bild 2).
 - **Teckenfönstret tänds och apparaten piper två gånger.**

Obs!

Om du inte trycker på någon knapp inom 5 minuter går apparaten in i standbyläge. I så fall släcks teckenfönstret och endast start/standby-knappen är på som indikation på att apparaten fortfarande är påslagen. I standbyläge kan du trycka på vilken knapp som helst för att återaktivera apparaten.

- **På skärmen blinkar 12:00 för att ange att du behöver ställa klockan. (Bild 3)**
- 3 Ange timme genom att trycka på HOUR-knappen upprepade gånger (Bild 4).
 - **Apparaten piper varje gång du trycker på knappen.**
 - 4 Ange minuter genom att trycka på MINUTE-knappen upprepade gånger. (Bild 5)
 - **Apparaten piper varje gång du trycker på knappen.**
 - 5 I teckenfönstret visas den inställda tiden. Kaffebryggaren är klar för användning.

4.2 Skölja igenom apparaten

Du måste skölja igenom kaffebryggaren en gång före första användningen.

- 1 Öppna locket till vattenbehållaren. Fyll på med rent kallvatten till vattenbehållarens **markering för 10 koppar (Bild 6).**

Obs!

Lägg inte i kaffebönor eller malet kaffe i apparaten.

- 2 Stäng locket till vattenbehållaren.
- 3 Ställ den isolerade kannan i apparaten (Bild 7).

Obs!

Se till att kannans lock är på och att pilen på locket pekar mot symbolen "stängd/bryggnig" (se avsnittet "Med kaffebönor" i kapitlet "Använda apparaten"). Se också till att kannan placeras på rätt sätt i apparaten. Pipen ska peka framåt. Om kannans lock inte är på, eller om kannan inte placeras på rätt sätt, aktiveras droppstoppsfunktionen automatiskt (se avsnittet "Droppstoppsfunktion" i kapitlet "Använda apparaten").

- 4 Tryck på start/standby-knappen (Bild 2).
 - **Apparaten piper och teckenfönstret tänds.**
- 5 Stäng av kvarnen genom att trycka på knappen för förmålet kaffe (Bild 8).
 - **Knappen för förmålet kaffe tänds.**

Obs!

När du stänger av kvarnen visas inte antalet koppar och kaffestyrcan i teckenfönstret.

- 6 Tryck på start/standby-knappen för att starta bryggnigen (Bild 9).
 - **Indikatorn för nybryggt kaffe blinkar snabbt i teckenfönstret ända tills bryggnigen är klar.**
 - **När bryggnigen är klar piper kaffebryggaren fem gånger.**
- 7 Töm kannan.

5 Använda apparaten

5.1 Fylla på vattenbehållaren

- 1 Öppna locket till vattenbehållaren och fyll vattenbehållaren med den mängd kallt vatten som krävs. (Bild 6)

Det finns markeringar för 4–10 koppar (550–1 375 ml) på vattennivåfönstret. Med hjälp av markeringarna kan du avgöra hur mycket vatten du ska hälla i vattenbehållaren. Kom ihåg att mängden färdigbryggt kaffe blir något mindre, eftersom det malda kaffet absorberar vatten.

Obs! (Bild 10)

Fyll inte på med vatten över markeringen för 10 koppar på vattenbehållaren. Om du gör det kan vatten rinna ut genom öppningen på baksidan.

5.2 Med kaffeböner

Varning!

Lägg inte espressokaffeböner i behållaren för kaffeböner. Använd bara vanliga kaffeböner.

Varning!

Håll alltid locket till vattenbehållaren stängt när du fyller behållaren för kaffeböner med kaffeböner. Annars kan kaffeböner ramla ner i vattenbehållaren och blockera påfyllningshålet för vatten.

- 1 Tryck på knappen OPEN på kaffebryggarens högra sida om du vill öppna filterkorghållaren. (Bild 11)
- 2 Sätt i ett pappersfilter (nr 4) i filterkorgen och samla upp det malda kaffet. (Bild 12)
- 3 Stäng filterkorghållaren.
- 4 Vrid kannans lock med spaken till läget "stängd/brygning". I det här läget pekar lockets pil mot symbolen för "stängd/brygning" på kanten (Bild 13).
- 5 Ställ kannan i apparaten.

Tips:

Håll kaffet varmt längre genom att skölja kannan med varmt vatten för att förvärma den innan du börjar brygga kaffe.

- 6 Ta bort locket till behållaren för kaffeböner (1) och fyll på med kaffeböner i behållaren (2). Se till att det finns tillräckligt med kaffeböner i behållaren för den mängd kaffe du vill brygga (Bild 14).

Obs!

Se alltid till att behållaren för kaffeböner är minst halvfull.

Varning!

Behållaren för kaffeböner rymmer som mest 250 g. Om du fyller på mer än så kan kvarnen börja kärva.

Varning!

Undvik orostade eller karamelliserade böner, de kan medföra att kvarnen kärvar.

- 7 Välj önskad typ av malning med vredet för val av malning (fin till grov). Det finns nio inställningar för malning (Bild 15).

Tips:

Vi rekommenderar att du experimenterar med olika malningsinställningar för att se vilken du gillar bäst.

- 8 Välj antalet koppar genom att trycka på knappen för 4-10 koppar lika många gånger som önskat antal koppar (Bild 16).
 - När du trycker på knappen för 4–10 koppar blinkar den till, och apparaten piper.
 - Det valda antalet koppar visas i teckenfönstret.

Obs!

Se till att antalet koppar du väljer med knappen 4–10 koppar stämmer överens med mängden vatten i vattenbehållaren. Kom ihåg att kaffebryggaren använder allt vatten i vattenbehållaren. Om du väljer ett lägre antal koppar än mängden vatten blir kaffet svagare än du tänkt.

- 9 Tryck på knappen för val av kaffestyrka en eller flera gånger och välj önskad kaffestyrka (mild, medel eller stark) (Bild 17).
 - När du trycker på knappen för val av kaffestyrka blinkar den till, och apparaten piper.
 - Den inställda kaffestyrkan visas i teckenfönstret.
- 10 Tryck på start/standby-knappen (Bild 18).
 - Apparaten piper och teckenfönstret tänds.
- 11 Starta brygningen genom att trycka på knappen start/standby igen (Bild 19).

Varning!

Undvik att komma nära ångöppningen under bryggningen. Du kan bränna dig på de heta ångorna.

- *Kvarnen mal rätt mängd kaffeböner.*
- *Indikatorn för nybryggt kaffe blinkar snabbt i teckenfönstret ända tills bryggningen är klar.*
- *När bryggningen är klar piper kaffebyggaren fem gånger.*

12 Vänta tills kaffebyggaren har slutat pipa innan du tar bort kannan.

Obs!

När bryggningen är klar droppar det kaffe från filterkorgen i några sekunder.

- *Indikatorn för nybryggt kaffe blinkar långsamt i teckenfönstret under 30 minuter efter bryggningen för att ange att kaffet är nybryggt. (Bild 20)*

13 Håll upp kaffe genom att vrida locket till läget "häll". I det här läget pekar lockets pil mot hällsymbolen på kanten (Bild 21).

Obs!

Hålla kaffet varmt genom att alltid stänga locket när du har hållt upp kaffe.

5.3 Med förmalet kaffe

Om du vill använda förmalet kaffe i stället för kaffeböner följer du stegen nedan.

- 1** Följ steg 1 och 2 i avsnittet "Med kaffeböner".
- 2** Lägg förmalet kaffe i pappersfiltret.

Obs!

Hur mycket förmalet kaffe du använder är en smaksak. Om du vill brygga ett medelstarkt kaffe går det åt ett mått (cirka 6 g) per kopp (125 ml).

- 3** Stäng filterkorghållaren.
- 4** Vrid kannans lock med spaken till symbolen för "stängd/brygning" på locket. Placera kannan i apparaten.
- 5** Tryck på start/standby-knappen.
 - *Apparaten piper och teckenfönstret tänds.*

- 6** Stäng av kvarnen genom att trycka på knappen för förmalet kaffe (Bild 8).
 - *Knappen tänds när du trycker på den.*

Obs!

När du stänger av kvarnen visas inte antalet koppar och kaffestyrcan i teckenfönstret.

- 7** Följ steg 11 till 13 i avsnittet "Med kaffeböner".

5.4 Ställa in timern

Med timern kan du programmera tiden för när kaffebyggningen ska starta.

- 1** Håll programknappen intryckt tills den börjar blinka och 0:00 visas i teckenfönstret (Bild 22).
- 2** Ange timme genom att trycka på HOUR-knappen upprepade gånger. (Bild 23)
 - *Apparaten piper varje gång du trycker på knappen.*
- 3** Ange minuter genom att trycka på MINUTE-knappen upprepade gånger. (Bild 24)
 - *Apparaten piper varje gång du trycker på knappen.*
 - *Skärmen visar den inställda timertiden.*
- 4** Ange hur många koppar du vill brygga. (Bild 25)
- 5** Ange önskad kaffestyrcan (mild, medel eller stark). (Bild 26)
- 6** Spara inställningarna genom att trycka på knappen PROGRAM. (Bild 27)
 - *Programknappen tänds och lyser med ett fast sken.*
 - *Tiden visas i teckenfönstret.*
- 7** Avbryt processen genom att trycka på knappen PROGRAM igen.
 - *Knappen PROGRAM slocknar.*

Obs!

Tryck på knappen PROGRAM om du vill ändra den inställda timertiden. Indikatorlampan för knappen PROGRAM börjar blinka igen. Nu kan du ställa in den nya timertiden genom att trycka på HOUR och MINUTE.

Obs!

Om du vill brygga kaffe med malet kaffe trycker du på knappen för förmalet kaffe för att stänga av kvarnen innan du anger antalet koppar.

5.5 Droppstopp

Droppstoppet gör att du kan ta bort kannan från kaffebyggaren innan bryggningen avslutas. När du tar bort kannan avbryter droppstoppet flödet av kaffe in i kannan.

Obs!

Bryggningen avbryts inte när du tar bort kannan. Om du inte ställer tillbaka kannan på sin plats inom 20 sekunder svämmar filterkorgen över.

6 Rengöring och underhåll

6.1 Rengöring efter varje användning

Varning!

Sänk aldrig ned apparaten i vatten eller någon annan vätska och skölj den inte under kranen.

- 1 Ta ut stickkontakten ur vägguttaget.
- 2 Torka av kaffebyggarens utsida med en fuktig trasa.
- 3 Rengör filterkorgen och kannan med varmt vatten och lite diskmedel.

6.2 Rengöra rännan för kaffeböner

Du måste rengöra rännan för kaffeböner med en till två veckors mellanrum beroende på hur mycket den används.

- 1 Sätt in stickkontakten i vägguttaget.
- 2 Tryck på start/standby-knappen (Bild 2).
 - *Teckenfönstret tänds.*
- 3 Tryck på start/standby-knappen och ta sedan ut stickkontakten ur vägguttaget.
- 4 För in den platta delen av rengöringsborstens handtag i låset till rännan för kaffeböner och lås upp den. (Bild 28)
- 5 Öppna locket till rännan för kaffeböner (Bild 29).

- 6 Använd rengöringsborsten och borsta ned kafferesterna i den nedre delen av rännan (Bild 30).

Tips:

Sätt i ett pappersfilter i filterkorgen och samlar upp det malda kaffet.

- *Kafferesterna hamnar i filterkorgen.*

- 7 Stäng locket till rännan för kaffeböner och vrid låset till det låsta läget (Bild 31).
 - 8 Ta bort pappersfiltret med kafferesterna och släng det.
-

6.3 Rengöra den isolerade kannan

Varning!

Sänk inte ned den isolerade kannan i vatten eller någon annan vätska, och rengör den inte i diskmaskinen.

- Ta bort locket från kannan genom att vrida det med spaken till symbolen "ta bort lock". Dra sedan locket av kannan (Bild 32).
- Rengör kannan på insidan med en mjuk borste, varmt vatten och lite diskmedel (Bild 33).

Tips:

För att få bort bruna avlagringar fyller du kannan med varmt vatten och tillsätter en sked natriumkarbonat. Låt det verka en stund.

- Efter rengöringen sköljer du kannan med färskt varmt vatten (Bild 34).
- Sätt på locket på kannan genom att sätta in de två utstående delarna på locket i kannans spår. Vrid sedan locket till höger till symbolen "stängd/bryggning". (Bild 35)

6.4 Kalka av kaffebryggaren

När meddelandet CALC visas i teckenfönstret (efter cirka 60 bryggningar) måste du kalka av kaffebryggaren, eftersom kaffebryggaren kan täppas till av kalkavlagringar.

Regelbunden avkalkning förlänger kaffebryggarens livslängd och ger garanterat bättre resultat under längre tid. Avkalka kaffebryggaren:

- Var 120:e bryggning om du använder mjukt vatten (upp till 18 dH).
- Var 60:e bryggning om du använder hårt vatten (över 18 dH).

Det lokala vattenverket kan upplysa dig om vattnets hårdhetsgrad.

Obs!

Om du är inte vet vilken hårdhetsgrad vattnet har i ditt område, och inte har möjlighet att kontakta det lokala vattenverket, rekommenderar vi att du avkalkar apparaten varje gång meddelandet CALC visas i teckenfönstret.

Obs!

Om du vill ta bort meddelandet "CALC" från teckenfönstret trycker du på knappen för 4–10 koppar och knappen STRENGTH samtidigt.

- 1 Öppna locket till vattenbehållaren.
- 2 Fyll vattenbehållaren med sju koppar ättika (5 % ättiksyra) och tre koppar vatten (Bild 36).
- 3 Sätt i ett pappersfilter (nummer 4) i filterkorgen och stäng filterkorghållaren.
- 4 Ställ den tomma kannan i apparaten (Bild 7).
- 5 Sätt in stickkontakten i vägguttaget.
- 6 Tryck på start/standby-knappen (Bild 2).
- 7 Stäng av kvarnen genom att trycka på knappen för förålet kaffe. Tryck sedan på start/standby-knappen för att starta bryggningen. (Bild 8)
- 8 Vänta tills hälften av ättiklösningen har runnit ned i kannan. Avbryt sedan bryggningen genom att trycka på start/standby-knappen och låt lösningen verka i minst en kvart.
- 9 Tryck på knappen för start/standby för att slå på kaffebryggaren igen och låt apparaten avsluta bryggningen.

10 Töm kannan och kasta pappersfiltret.

11 Fyll vattenbehållaren med kallt vatten och tryck på start/standby-knappen för att starta en ny bryggning. Låt kaffebryggaren avsluta hela bryggningen och töm sedan kannan.

12 Upprepa steg 12 tills vattnet inte längre smakar eller luktar ättika.

13 Rengör filterkorgen och kannan med varmt vatten och lite diskmedel.

7 Beställa tillbehör

Om du vill köpa tillbehör eller reservdelar kan du gå till www.shop.philips.com/service eller en Philips-återförsäljare. Du kan även kontakta Philips kundtjänst i ditt land (kontaktinformation finns i garantibroschyren).

8 Miljön

- Kasta inte apparaten i hushållsoporna när den är förbrukad. Lämna in den för återvinning vid en officiell återvinningsstation, så hjälper du till att skydda miljön (Bild 37).

9 Garanti och support

Om du behöver information eller support kan du gå till www.philips.com/support eller läsa garantibroschyren.

10 Felsökning

I det här kapitlet sammanfattas de vanligaste problemen som kan uppstå med apparaten. Om du inte kan lösa problemet med hjälp av informationen nedan kan du gå till www.philips.com/support och läsa svaren på vanliga frågor. Du kan även kontakta kundtjänst i ditt land.

Apparaten fungerar inte.

- Kontrollera att den spänning som anges på apparaten överensstämmer med den lokala nätspänningen.
- Fyll vattenbehållaren med vatten.

När jag använder kvarnen blir kaffet för svagt.

- Kontrollera att det antal koppar du väljer med knappen för 4–10 koppar överensstämmer med mängden vatten i vattenbehållaren. Kom ihåg att allt vatten som finns i kaffebyggarens vattenbehållare används vid brygging.
- Välj starkare kaffe med knappen för val av kaffestyrka.
- När du använder kaffeböner måste du vara noga med att inte trycka på knappen för förmalet kaffe, eftersom du då stänger av kvarnen.
- Använd en starkare blandning eller kaffeböner med mer smak.
- Du kan öka kaffestyrkan genom att välja ett större antal koppar med knappen för 4–10 koppar än antalet koppar du fyller vattenbehållaren med.

När jag använder förmalet kaffe blir kaffet för svagt.

- Se till att mängden förmalet kaffe i filtret stämmer överens med mängden vatten i vattenbehållaren. Tänk på att apparaten använder allt vatten i vattenbehållaren.
- Använd en starkare blandning eller malet kaffe med mer smak.
- Du kan öka kaffestyrkan genom att öka mängden förmalet kaffe eller minska mängden vatten.

Filtret svämmar över när jag tar bort kannan från apparaten under pågående brygging.

Om du tar bort kannan i mer än 20 sekunder under bryggingen får droppstoppet filterkorgen att svämma över. Tänk även på att kaffet inte får sin fulla smak förrän i slutet av bryggingen. Vi rekommenderar därför att du inte tar bort kannan och håller upp kaffe förrän bryggingen är klar.

Apparaten fortsätter droppa långt efter att bryggingen är klar.

- Droppet beror på kondenserad ånga. Det är helt normalt att apparaten droppar ett tag.
- Om det inte slutar droppa kan droppstoppet vara blockerat. Rengör droppstoppen genom att trycka på knappen OPEN på apparatens högra sida och öppna filterkorghållaren. Ta ut filterkorgen och skölj den och droppstoppet under kranen.
- Om du tar bort kannan i mer än 20 sekunder under bryggingen får droppstoppet filterkorgen att svämma över.

Kaffet är inte tillräckligt varmt.

- Värm kannan med varmt vatten innan du börjar brygga kaffe.
- Kaffet i kannan svalnar fortare om du bara brygger några koppar. Kaffet håller sig varmt längre om du brygger 10 koppar, vilket motsvarar en full kanna.
- Använd tunna koppar, eftersom de absorberar mindre värme från kaffet än tjocka koppar.
- Använd inte mjölk som kommer direkt ur kylskåpet.
- Kalka av apparaten. Se avsnittet Kalka av kaffebyggaren i kapitlet Rengöring och underhåll.

1 Giriş

Ürünümüzü satın aldığınız için teşekkür ederiz; Philips'e hoş geldiniz! Philips'in sunduğu destekten faydalanabilmek için lütfen ürününüzü şu adresten kaydedin: www.philips.com/welcome.

2 Genel açıklamalar (Şek. 1)

- 1 Filtre sepeti
- 2 Damla tıpası
- 3 Kahve çekirdeği kanal kilidi
- 4 Öğütücü seçme düğmesi
- 5 Görüntü
- 6 STRENGTH (sertlik) düğmesi
- 7 4-10 fincan düğmesi
- 8 Filtre sepeti yuvası
- 9 Yalıtımlı sürahi kapağı
- 10 Yalıtımlı sürahi
- 11 Taşma deliği
- 12 Su seviyesi pencereli su haznesi
- 13 HOUR (saat) düğmesi
- 14 PROGRAM düğmesi
- 15 MINUTE (dakika) düğmesi
- 16 Filtre sepeti yuvası için OPEN (açma)düğmesi
- 17 Açma/kapama, çalıştırma/bekleme düğmesi
- 18 Kahve ön öğütme düğmesi
- 19 Buhar deliği
- 20 Kahve çekirdeği kanal kapağı
- 21 Su haznesi kapağı
- 22 Kahve çekirdeği haznesi
- 23 Kahve çekirdeği haznesi kapağı
- 24 Temizleme fırçası

3 Önemli

Cihazı kullanmadan önce bu kullanım kılavuzunu okuyun ve gelecekte de başvurmak üzere saklayın.

3.1 Tehlike

- Cihazı kesinlikle suya veya başka bir sıvıya batırmayın ya da muslukta durulamayın.

3.2 Uyarı

- Cihazı prize takmadan önce, cihazın tabanında belirtilen gerilimin yerel şebeke gerilimiyle uygunluğunu kontrol edin.
- Cihazın elektrik kablosu hasarlıysa, bir tehlike oluşturmasını önlemek için mutlaka Philips'in yetki verdiği bir servis merkezi veya benzer şekilde yetkilendirilmiş kişiler tarafından değiştirilmesini sağlayın.
- Bu cihazın 8 yaşın üzerindeki çocuklar ve fiziksel, motor ya da zihinsel becerileri gelişmemiş veya bilgi ve tecrübe açısından eksik kişiler tarafından kullanımı sadece bu kişilerin nezaretinden sorumlu kişilerin bulunması veya cihazın güvenli kullanım talimatlarının bu kişilere sağlanması ve olası tehlikelerin anlatılması durumunda mümkündür. Çocuklar cihazla oynamamalıdır. Temizlik ve kullanıcı bakımı herhangi bir gözetim olmadan çocuklar tarafından yapılmamalıdır.
- Çocuklar cihazla oynamamalıdır.

- Elektrik kablosunu çocukların ulaşabileceği yerlerden uzak tutun. Elektrik kablosunun cihazın bulunduğu masanın veya tezgahın kenarından sarkmasına izin vermeyin.
- Özellikle cihaz elektriğe bağlıyken cihazın öğütücü uçlarına dokunmayın.
- Ambalaj malzemeleri (plastik poşetler, karton parçalar vb.) oyuncak değildir ve çocukların ulaşamayacağı yerlerde saklanmalıdır.
- Cihaz çalışırken sıcak yüzeylerine dokunmayın.
- Bu cihaz kahve çekirdeği öğütmek ve kahve yapmak için tasarlanmıştır. Sıcak su ve buhar nedeniyle yanmaları önlemek için doğru ve dikkatli bir biçimde kullanın.
- Cihazın fişi, kordonu veya kendisi hasarlıysa kesinlikle kullanmayın.
- Bu kullanma kılavuzuyla çözemeyeceğiniz bir sorun meydana gelirse, ülkenizdeki Müşteri Destek Merkezi'yle iletişim kurun. Sorun çözülmezse, cihazı kontrol veya onarım için yetkili bir Philips servis merkezine götürün. Cihazı kendi başınıza onarmaya çalışmayın, aksi takdirde cihazınızın garantisiz kalacaktır.
- Kahve öğütürken veya yaparken ve temizlemeden önce sorun çıkarsa, cihazı fişten çekin.
- Çalışırken cihazı hareket ettirmeyin.
- Cihazı saklamadan önce soğumasını bekleyin; sıcak olabilir.
- Yalıtımlı sürahiyi parçalara ayırmayın.
- Sürahi duvarlarının arasına su girmesine neden olacağından, yalıtımlı sürahiyi kesinlikle suya ya da başka bir sıvıya batırmayın.
- Yalıtımlı sürahi bulaşık makinesinde yıkanamaz.
- Yalıtımlı sürahi kahve ile dolu iken, sızıntıyı engellemek için dik konumda tutun.
- Kahve pişirme sırasında, cihazın alt kısmı ve yalıtımlı sürahinin tabanı ısınır.
- Ambalajı açtıktan sonra, cihazın eksiksiz ve hasarsız olduğundan emin olun. Şüpheye düştüğünüz durumlarda cihazı kullanmayın ve ülkenizdeki Müşteri Destek Merkezi'yle iletişim kurun.
- Bu cihaz sadece evde kullanım için tasarlanmıştır. Mağazaların, ofislerin, çiftliklerin veya diğer işyerlerinin personel mutfakları gibi ortamlarda kullanılamaz. Otel, motel, pansiyon ve diğer konaklama ortamlarındaki kişiler tarafından kullanıma da uygun değildir.

3.3 Dikkat

- Kahve makinesini kesinlikle sıcak zeminlere yerleştirmeyin ve elektrik kordonunu sıcak cisimlere deşdirmeyin.

3.4 Elektromanyetik alanlar (EMF)

Bu Philips cihazı elektromanyetik alanlarla (EMF) ilgili tüm standartlara uygundur. Bu cihaz, gereği gibi ve bu kılavuzdaki talimatlara uygun şekilde kullanıldığında, bugünün bilimsel verilerine göre kullanımı güvenlidir.

4 İlk kullanımdan önce

4.1 Saatin ayarlanması

- 1 Elektrik fişini prize takın.
 - *Çalıştırma/bekleme düğmesinin ışığı yanar.*
 - 2 Çalıştırma/bekleme düğmesine basın (Şek. 2).
 - *Ekran aydınlanır ve cihaz iki kere bip sesi çıkarır.*
- ⚠ Dikkat:**
- 5 dakika içinde hiçbir düğmeye basmazsanız cihaz bekleme konumuna geçer. Bu durumda ekran kararır ve yalnızca çalıştırma/bekleme düğmesi açık kalarak cihazın halen çalışmakta olduğunu gösterir. Bekleme modundayken cihazı tekrar çalıştırmak için herhangi bir düğmeye basabilirsiniz.
- *Ekran da saati ayarlamamız gerektiğini gösteren 12:00 sayısı yanıp söner. (Şek. 3)*
- 3 Saati ayarlamak için HOUR düğmesine arka arkaya basın (Şek. 4).
 - *Cihaz düğmeye her bastığınızda bip sesi verir.*
 - 4 Dakikayı ayarlamak için MINUTE düğmesine arka arkaya basın. (Şek. 5)
 - *Cihaz düğmeye her bastığınızda bip sesi verir.*
 - 5 Ekranda ayarlanan saat görünür: Kahve makinesi kullanıma hazırdır.

4.2 Cihazın boşaltılması

İlk kullanımdan önce kahve makinesini yıkamanız gerekir.

- 1 Su haznesinin kapağını açın. Su haznesine **10 fincan göstergesine kadar** temiz soğuk su doldurun. (Şek. 6)

⚠ Dikkat:

Kahve çekirdeklerini veya öğütülmüş kahveyi cihazın içine koymayın.

- 2 Su haznesinin kapağını kapatın.
- 3 Yalıtımlı sürahiyi cihaza yerleştirin (Şek. 7).

⚠ Dikkat:

Sürahi kapağının sürahinin üzerinde olduğundan ve kapaktaki okun 'kapalı/kahve yapılıyor' sembolü üzerinde olduğundan emin olun (bkz.'Cihazın kullanımı' bölümünde 'Kahve çekirdeklerinin kullanımı' başlığı). Ayrıca sürahinin cihaza düzgün şekilde yerleştirildiğinden emin olun. Kapak sürahinin üzerinde değilse veya sürahi cihaza düzgün şekilde yerleştirilmemişse damlama durdurma fonksiyonu otomatik olarak çalışır; (bkz.'Cihazın kullanımı' bölümünde 'Damlama durdurma fonksiyonu' başlığı).

- 4 Çalıştırma/bekleme düğmesine basın (Şek. 2).
 - *Cihaz bip sesi verir ve ekran ışığı yanar.*
- 5 Öğütücüyü kapatmak için kahve ön öğütme düğmesine basın (Şek. 8).
 - *Kahve ön öğütme düğmesinin ışığı yanar.*

⚠ Dikkat:

Öğütücüyü kapattığınızda, fincan sayısı ve sertlik ayarı ekranda gösterilmez.

- 6 Kahve yapma işlemini başlatmak için çalıştırma/bekleme düğmesine basın (Şek. 9).
 - *Kahve yapma işlemi bitene kadar tazelik göstergesi ekranda hızla yanıp söner.*
 - *Kahve yapma işlemi bittiğinde, kahve makinesi 5 kez uyarı sesi çıkarır.*
- 7 Sürahiyi boşaltın.

5 Cihazın kullanımı

5.1 Su haznesinin doldurulması

1 Su haznesinin kapağını açın ve su haznesine gereken miktarda soğuk su doldurun. (Şek. 6) Su seviyesi penceresinde 4 - 10 fincan (550 ml - 1375 ml) göstergesi bulunmaktadır. Su haznesine koyulacak su miktarı için bu göstergelerden yararlanabilirsiniz. Öğütülmüş kahve suyu emdiğinden, yapılan kahve miktarının biraz daha az olacağını unutmayın.

Dikkat: (Şek. 10)

Su haznesini 10 fincan göstergesinin üzerinde doldurmayın; aksi halde su, arka taraftaki deliklerden akar.

5.2 Kahve çekirdeklerinin kullanımı

Uyarı:

Kahve çekirdeği haznesine espresso yapmak için üretilmiş çekirdek koymayın. Sadece normal kahve çekirdeği kullanın.

Uyarı:

Kahve çekirdeği haznesini kahve çekirdekleriyle doldururken, su haznesi kapağının kapalı olduğundan kesinlikle emin olun. Aksi takdirde kahve çekirdekleri su haznesine düşebilir ve su girişini tıkalabilir.

- 1** Kahve makinesinin sağ tarafında bulunan OPEN düğmesine basarak filtre sepeti yuvasını açın. (Şek. 11)
- 2** Öğütülmüş kahveyi toplamak için filtre sepetine bir kağıt filtre (no. 4) takın. (Şek. 12)
- 3** Filtre sepeti yuvasını kapatın.
- 4** Sürahinin kapağını kolundan tutup çevirerek 'kapalı/kahve yapılıyor' konumuna getirin. Bu konumda, kapaktaki ok çerçevedeki 'kapalı/kahve yapılıyor' sembolünü gösterir (Şek. 13).
- 5** Sürahiye cihaza yerleştirin.

İpucu:

Kahveyi daha uzun süre sıcak tutmak için kahve yapmaya başlamadan önce sürahiye sıcak suyla yıkayarak ısıtın.

- 6** Kahve çekirdeği haznesi kapağını çıkarın (1) ve hazneye kahve çekirdeği doldurun (2). Yaprak istediğiniz kahve için yeterli miktarda kahve çekirdeği bulunduğundan emin olun (Şek. 14).

Dikkat:

Çekirdek haznesi her zaman en az yarıya kadar dolu olmalıdır.

Uyarı:

Kahve çekirdeği haznesi, maksimum 250 g kapasiteye sahiptir. Öğütücünün sıkışmaması için bu miktarı aşmayın.

Uyarı:

Öğütücünün sıkışmaması için kavrulmamış veya karamelli çekirdek kullanmayın.

- 7** Öğütücü seçme düğmesini kullanarak (ince taneciklerden kalın tanecikliye kadar) istediğiniz öğütme türünü seçin. Dokuz öğütme ayarı bulunmaktadır (Şek. 15).

İpucu:

Damak tadınıza uygun ayarı bulmak için farklı öğütme ayarlarını denemenizi öneririz.

- 8** Fincan sayısını seçmek için, istediğiniz fincan sayısı kadar 4-10 fincan düğmesine basın (Şek. 16).

- 4-10 fincan düğmesine bastığınızda düğmenin ışığı kısa bir süre yanar ve cihaz bip sesi verir.
- Seçilen fincan sayısı ekranda gösterilir.

Dikkat:

4-10 fincan düğmesi ile seçtiğiniz fincan sayısının su haznesindeki su miktarına uygun olduğundan emin olun. Kahve makinesinin su haznesindeki tüm suyu kullandığını unutmayın. Su miktarına göre daha az fincan sayısı seçerseniz kahveniz istediğiniz sertlikte olmaz.

9 İstedığınız kahve sertliğini (hafif, orta veya sert) seçene kadar STRENGTH (sertlik) düğmesine arka arkaya basın (Şek. 17).

- **STRENGTH düğmesine bastığınızda düğmenin ışığı kısa bir süre yanar ve cihaz bip sesi verir.**
- **Seçilen kahve sertliği ekranda gösterilir.**

10 Çalıştırma/bekleme düğmesine basın (Şek. 18).

- **Cihaz bip sesi verir ve ekran ışığı yanar.**

11 Kahve yapma işlemi başlatmak için çalıştırma/bekleme düğmesine tekrar basın (Şek. 19).

⚠ Uyarı:

Sıcak buhar çıkışı olduğundan, kahve yaparken buhar deliğine yaklaşmayın.

- **Öğütücü gereken miktarda kahve çekirdeğini öğütür.**
- **Kahve yapma işlemi bitene kadar tazelik göstergesi ekranda hızla yanıp söner.**
- **Kahve yapma işlemi bittiğinde kahve makinesi 5 defa bip sesi verir.**

12 Sürahiye almadan önce kahve makinesinin uyarısının bitmesini bekleyin.

⚠ Dikkat:

Kahve yapma işlemi bittikten sonra birkaç saniye süreyle filtre sepetinden kahve damlar.

- **Kahve yapım işlemi bittikten sonra tazelik göstergesi 30 dakika süresince ekranda yavaşça yanıp söner. Kahvenin taze olduğunu gösterir. (Şek. 20)**

13 Sürahiden kahve koymak için kapağı 'dökme' simgesine getirin. Bu konumda, kapaktaki ok çerçeve'deki 'dökme' sembolünü gösterir (Şek. 21).

⚠ Dikkat:

Kahveyi sıcak tutmak için, kahveyi koyduktan sonra her zaman kapağı kapatın.

5.3 Önceden öğütülmüş kahve kullanılması

Kahve çekirdeği yerine önceden öğütülmüş kahve kullanmak isterseniz, aşağıdaki adımları izleyin.

- 1 'Kahve çekirdeklerinin kullanımı' bölümünde verilen 1 ve 2. adımı uygulayın.
- 2 Önceden öğütülmüş kahveyi kağıt filtreye yerleştirin.

⚠ Dikkat:

Kullanacağınız önceden öğütülmüş kahve miktan kendi zevkinize bağlıdır. Kahvenizin orta-sert olmasını istiyorsanız, her bir fincan için (125 ml) bir ölçüm kaşığı (yaklaşık 6 g) kullanın.

- 3 Filtre sepeti yuvasını kapatın.
- 4 Sürahinin kapağını kolundan tutup çevirerek kapağın üzerindeki 'kapalı/kahve yapılıyor' simgesinin üzerine getirin. Sürahiye cihazı yerleştirin.
- 5 Çalıştırma/bekleme düğmesine basın.
 - **Cihaz bip sesi verir ve ekran ışığı yanar.**
- 6 Öğütücüyü kapatmak için kahve ön öğütme düğmesine basın (Şek. 8).
 - **Basıldığında, düğmenin ışığı yanar.**

⚠ Dikkat:

Öğütücüyü kapattığınızda, fincan sayısı ve sertlik ayarı ekranda gösterilmez.

- 7 'Kahve çekirdeklerinin kullanımı' bölümünde verilen 11 - 13 arası adımları izleyin.

5.4 Zamanlayıcının ayarlanması

Zamanlayıcı, kahve yapma işlemine başlamak için saati programlamanızı sağlar.

- 1 Program düğmesi yanıp sönmeye başlayana ve ekranda 0:00 görülene kadar PROGRAM düğmesine basın (Şek. 22).
- 2 Saati ayarlamak için HOUR düğmesine arka arkaya basın. (Şek. 23)
 - **Cihaz düğmeye her bastığınızda bip sesi verir.**
- 3 Dakikayı ayarlamak için MINUTE düğmesine arka arkaya basın. (Şek. 24)
 - **Cihaz düğmeye her bastığınızda bip sesi verir.**
 - **Ekranda ayarlanan zamanlayıcı saati görünür.**

- 4 Kaç fincan kahve yapmak istediđinizi seçin. (Şek. 25)
- 5 İstedięiniz kahve sertliđini (hafif, orta veya sert) seçin. (Şek. 26)
- 6 Ayarları kaydetmek için PROGRAM düğmesine basın. (Şek. 27)
 - **PROGRAM düğmesi sürekli olarak yanar.**
 - **Ekranı saat görölür.**
- 7 İşlemi durdurmak için PROGRAM düğmesine tekrar basın.
 - **PROGRAM düğmesinin ışığı söner.**

Dikkat:

Ayarlanan zamanlayıcı saatini deđiştirmek isterseniz PROGRAM düğmesine basın. PROGRAM düğmesi göstergesi tekrar yanıp sönmeye başlar. Şimdi yeni zamanlayıcı saatini HOUR ve MINUTE düğmelerine basarak ayarlayabilirsiniz.

Dikkat:

Kahvenizi öğütölmüş kahve ile yapmak istiyorsanız, fincan sayısını seçmeden önce öğütücüyü kapatmak için kahve ön öğütme düğmesine basın.

5.5 Damlama durdurma fonksiyonu

Damlama durdurma fonksiyonu, kahve yapma işlemi tamamlanmadan önce sürahiye kahve makinesinden çıkarmanızı sağlar. Sürahiye çıkardığınızda, damlama durdurma fonksiyonu sürahiye kahve akışını durdurur.

Dikkat:

Sürahiye çıkardığınızda kahve yapma işlemi durmaz. Sürahiye 20 saniye içinde cihaza koymazsanız filtre sepeti taşar.

6 Temizlik ve bakım

6.1 Her kullanımdan sonra temizlik

Uyarı:

Cihazı kesinlikle suya veya başka bir sıvıya batırmayın ya da muslukta durulamayın.

- 1 Cihazın fişini prizden çekin.
- 2 Kahve makinesinin dış yüzeyini nemli bir bezle silin.
- 3 Filtre sepetini sıcak su ve çok az deterjanla temizleyin.

6.2 Kahve çekirdeđi kanalının temizlenmesi

Kullanım sıklığına bađlı olarak kahve çekirdeđi kanalını 1-2 haftada bir temizlemeniz gerekir.

- 1 Elektrik fişini prize takın.
- 2 Çalıştırma/bekleme düğmesine basın (Şek. 2).
 - **Ekran ışığı yanar.**
- 3 Çalıştırma/bekleme düğmesine basın ve ardından elektrik fişini duvar prizinden çekin.
- 4 Temizleme fırçası sapının düz ucunu kahve çekirdeđi kanalına takın ve kilidi 'açık' konuma çevirin. (Şek. 28)
- 5 Kahve çekirdeđi kanalının kapađını açın (Şek. 29).
- 6 Temizleme fırçasını kullanarak kanalın alt kısmında kalan öğütölmüş kahve artıklarını temizleyin (Şek. 30).

İpucu:

Öğütölmüş kahveyi toplamak için filtre sepetine bir kağıt filtre takın.

- **Öğütölmüş kahve artıkları filtre sepetine dökölür.**
- 7 Kahve çekirdeđi kanalının kapađını kapatın ve kilidi 'kapalı' konuma çevirin (Şek. 31).
 - 8 Öğütölmüş kahve artıklarının bulunduğu kağıt filtreyi çıkarın ve atın.

6.3 Yalıtımlı s rahinin temizlenmesi

Uyarı:

Yalıtımlı s rahiyi suya veya başka bir sıvıya batırmayın ve bulaşık makinesinde yıkamayın.

- Kapağı s rahidenden  ıkarmak i in, 'kapağı  ıkarma' simgesine kadar kolundan tutarak  evirin. Sonra kapağı s rahidenden  ıkarın ( ek. 32).
- S rahinin i ini yumuşak bir fir a, sıcak su ve bulaşık deterjanı kullanarak temizleyin ( ek. 33).

İpucu:

- İnatçı kahverengi kalıntıları temizlemek i in s rahiyi sıcak suyla doldurun ve bir kaşık soda ekleyin. Sodanın lekeleri  ozmesi i in bir s re bekleyin.
- Temizleme i leminin sonras rahiyi temiz sıcak suyla durulayın ( ek. 34).
 - Kapağı s rahinin  zerine koyun, kapaktaki iki  ıkıntıyı s rahinin kenarındaki deliklere ge irin. Sonra kapağı saėa  evirerek 'kapalı/kahve yapıyor' simgesine getirin. ( ek. 35)

6.4 Kahve makinesinde kire  temizleme

Ekranda 'CALC' (kire ) mesajı g sterildiėinde (yaklaşık 60 kez kahve yaptıktan sonra), kahve makinesi kire  nedeniyle tıkanabileceėinden, kahve makinesindeki kireci temizlemeniz gerekir. D zenli olarak uygulanan kire  temizleme i lemi kahve makinesinin  mr n  uzatır ve daha uzun s re en iyi şekilde ve sabit bir s re i inde kahve yapılabilmesini saėlar. Kahve makinesinin kirecini  u aralıklarla temizleyin:

- yumuşak su (18dH'ye kadar) kullanıyorsanız her 120 kahve yapma i leminde bir.
- sert su (18dH  zeri) kullanıyorsanız her 60 kahve yapma i leminde bir.

B lgenizdeki su sertliėi konusunda bilgi edinmek i in yerel su idaresine bařurabilirsiniz.

Dikkat:

B lgenizdeki suyun sertliėi hakkında bilginiz yoksa ve b lgenizdeki yerel su idaresine bařuramıyorsanız, cihazınızın kirecini ekranda her 'CALC' mesajı g sterildiėinde temizlemeniz  neririz.

Dikkat:

'CALC' mesajını ekrandan kaldırmak i in, 4-10 CUPS ve STRENGTH d ğmesine aynı anda basın.

- 1 Su haznesinin kapaėını a ın.
- 2 Su haznesine 7 fincan sirke (%5 asetik asit) ve 3 fincan su koyun ( ek. 36).
- 3 Filtre sepetine bir kaėıt filtre (no. 4) takın ve filtre sepeti yuvasını kapatın.
- 4 Boş s rahiyi cihaza yerleřtirin ( ek. 7).
- 5 Elektrik fiřini prize takın.
- 6  alıřtırma/bekleme d ğmesine basın ( ek. 2).
- 7  ğ t c y  kapatmak i in kahve  n  ğ tme d ğmesine basın. Ardından kahve yapma i lemini bařlatmak i in  alıřtırma/bekleme d ğmesine basın. ( ek. 8)
- 8 Sirke-su sol syonunun yansının s rahiye akmasını bekleyin. Ardından,  alıřtırma/bekleme d ğmesine basarak kahve yapma i lemini durdurun ve en az 15 dakika sol syonun tesir etmesini bekleyin.
- 9  alıřtırma/bekleme d ğmesine basarak kahve makinesini tekrar a ın ve cihazın kahveyi yapmasını bekleyin.
- 10 S rahiyi bořaltın ve kaėıt filtreyi atın.
- 11 Su haznesini soėuk suyla doldurun ve  alıřtırma/bekleme d ğmesine basarak yeni bir kahve yapma i lemi bařlatın. Kahve makinesinin i lemi tamamlamasını bekleyin ve s rahiyi bořaltın.
- 12 Suda sirke tadı veya kokusu kalmayana kadar 12. adımı tekrarlayın.
- 13 Filtre sepetini ve s rahiyi sıcak su ve  ok az deterjanla temizleyin.

7 Aksesuarların sipariş edilmesi

Aksesuar veya yedek parça satın almak için www.shop.philips.com/service adresini ziyaret edin ya da Philips bayinize gidin. Aynı zamanda ülkenizdeki Philips Müşteri Hizmet Merkezi ile iletişim kurabilirsiniz (iletişim bilgileri için dünya çapında garanti kitapçığına başvurun).

8 Çevre

- Kullanım ömrü sonunda, cihazı normal evsel atıklarınızla birlikte atmayın; bunun yerine, geri dönüşüm için resmi toplama noktalarına teslim edin. Böylece, çevrenin korunmasına yardımcı olursunuz (Şek. 37).

9 Garanti ve destek

Bilgi veya desteğe ihtiyaç duyarsanız, lütfen www.philips.com/support adresini ziyaret edin veya dünya çapında garanti kitapçığını okuyun.

10 Sorun giderme

Bu bölüm, cihazda en sık karşılaşılabileceğiniz sorunları özetlemektedir. Sorunu aşağıdaki bilgilerle çözemiyorsanız, sık sorulan sorular listesi için www.philips.com/support adresini ziyaret edin veya ülkenizdeki Müşteri Destek Merkezi ile iletişim kurun.

Cihaz çalışmıyor

- Cihaz üzerinde belirtilen gerilimin yerel şebeke gerilimiyle uygunluğunu kontrol edin.
- Su haznesini suyla doldurun.

Öğütücüyü kullandığımda kahve çok hafif oluyor.

- 4-10 fincan düğmesi ile seçtiğiniz fincan sayısının su haznesindeki su miktarına uygun olduğundan emin olun. Kahve makinesinin su haznesindeki tüm suyu kullandığını unutmayın.
- STRENGTH (sertlik) düğmesini kullanarak kahve sertliğini 'sert' olarak ayarlayın.
- Kahve çekirdeği kullanırken, öğütücüyü kapatacağından, ön öğütme düğmesine basmayın.
- Daha sert aromaya sahip kahve çekirdekleri kullanın.
- Kahve sertliğini artırmak için, 4-10 fincan düğmesi ile su haznesini doldurmak için kullandığınız fincan sayısından daha çok sayıda fincan seçin.

Önceden öğütülmüş kahve kullandığımda kahve çok hafif oluyor.

- Filtredeki önceden öğütülmüş kahve miktarının su haznesindeki su miktarına uygun olduğundan emin olun. Cihazın su haznesindeki tüm suyu kullandığını unutmayın.
- Daha sert aromaya sahip öğütülmüş kahve kullanın.
- Kahve sertliğini artırmak için önceden öğütülmüş kahve miktarını artırın veya su miktarını azaltın.

Kahve yapılırken sürahi cihazdan alındığında filtre taşar.

- Kahve yapma işlemi sırasında sürahiyi 20 saniyeden uzun süre dışarıda tutarsanız damlama durdurma fonksiyonu filtre sepetinin taşmasına neden olur. Ayrıca, kahve yapma işlemi tamamlanmadan kahvenin tam lezzet vermeyeceğini unutmayın. Bu nedenle, kahve yapma işlemi tamamlanmadan kahve almak için sürahiyi çıkarmamanızı öneriyoruz.

Cihaz, kahve yapma işlemi bittikten sonra bir süre damlatmaya devam eder.

- Damlatmanın nedeni, buharın yoğunlaşmasıdır. Cihazın birkaç kez damlatması tamamen normaldir.
- Damlatma durmuyorsa, damla tıpası tıkalı olabilir. Damla tıpasını temizlemek kahve makinesinin sağ tarafında bulunan OPEN (açma) düğmesine basarak filtre sepeti yuvasını açın. Filtre sepetini çıkarın, sepeti ve damla tıpasını musluk altında durulayın.
- Kahve yaparken sürahiyi 20 saniyeden uzun süreyle dışarıda tutarsanız, damlama durdurma fonksiyonu filtre yuvasının taşmasına neden olur.

Kahve yeterince sıcak değil.

- Kahve yapmaya başlamadan önce sürahiyi sıcak suyla yıkayarak önceden ısıtın.
- Sadece birkaç fincan kahve yaparsanız, sürahideki kahve daha hızlı soğur. Dolu bir sürahiye karşılık gelen 10 fincan kahve yaparsanız, kahve daha uzun süre sıcak kalır.
- Kalın fincanlara göre daha az ısı soğuran ince fincan kullanın.
- Doğrudan buzdolabından çıkarılan sütü kullanmayın.
- Cihazdaki kireci temizleyin. 'Temizleme ve bakım' bölümünde 'Kireç temizleme' konusuna başvurun.

