

CANDY

WINE CELLAR

Vinkøleren

Viinikaappi

Cave à vin

WEINKÜHLER

CANTINETTA

Vinskapet

WIJNKOELER

CHŁODZIARKA DO WINA

Vinotéka

APARATULUI

Vinska omara

BODEGA DE VINO

Vinkylaren

ØRH ÚTÓ

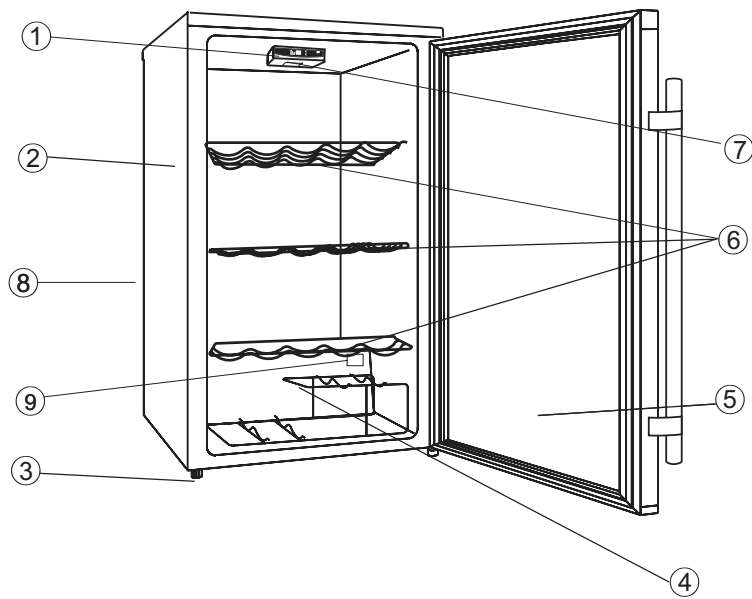
CCV 160GL



INSTRUCTION MANUAL

Please read this instruction booklet carefully before using your Candy Wine Cooler

PARTS AND FEATURES



1. Operation and Display Panel
2. Cabinet
3. Levelling Leg
4. Wine Rack
5. Glass Door
6. Chrome Shelves
7. Interior Lamp
8. Electrical Control Assembly (at the back)
9. Temperature Sensor

Important Safety Instructions

- Read all instructions before using the appliance.
- Child entrapment and suffocation are not problems of the past. Junked or abandoned appliances are still dangerous... even if they will "just sit in the garage a few days."
- **Before you throw away your old wine cooler:**
take off the door, leave the shelves in place, so that children may not easily climb inside.
- Never allow children to operate, play with, or crawl inside the appliance.
- Never clean appliance parts with flammable fluids. The fumes can create a fire hazard or explosion.
- Do not store or use gasoline or any other flammable vapors and liquids in the vicinity of this or any other appliance. The fumes can create a fire or explosion.

INSTALLATION INSTRUCTIONS

Before Using Your Wine Cooler

- Remove the exterior and interior packing, including protective foam on door panels .
- Check to be sure the following parts are included:
 - 3 slide out shelves
 - 1 wine rack
 - 1 Instruction manual
- Before connecting the appliance to the power source, let it stand upright for approximately 2 hours. This will reduce the possibility of a malfunction in the cooling system from handling during transportation.
- Clean the interior surface with lukewarm water using a soft cloth.

Installation of Your Wine Cooler

- Place your appliance on a floor that is strong enough to support the appliance when it is fully loaded. To level your appliance, adjust the legs at the front of the appliance.
- Allow 5 inches of space between the back and sides of the appliance ,which allows the proper air circulation to cool the compressor.
- Locate the appliance away from direct sunlight and sources of heat (stove, heater, radiator, etc.). Direct sunlight may affect the acrylic coating and heat sources may increase electrical consumption. Extreme cold ambient temperatures may also cause the appliance not to perform properly.
- Avoid locating the appliance in moist areas. Too much moisture in the air will cause frost to form quickly on the evaporator.

- Plug the appliance into an exclusive properly installed-grounded wall outlet. Do not under any circumstances cut or remove the third (ground) prong from the power cord. Any questions concerning power and or grounding should be directed toward a certified electrician or an authorized Candy Products service center.

Improper use of the grounded plug can result in the risk of electrical shock. If the power cord is damaged, have it replaced by an authorized Candy Products service center.

Reversing the Door Swing of Your Wine Cooler

This wine cooler has the capability of either opening the door from the left or right side. The unit is delivered to you with the door opening from the left side. Should you desire to reverse the opening direction, please follow these instructions.

NOTE:

Before reversing the door ,the power must be shut off.

All parts removed must be saved to do the reinstallation of the door.

This wine cellar has been built with the door hinges on the right. If you wish to change the opening direction, follow the instructions below:

1. Remove the upper hinge cover(6) first
2. Remove the two screws (1) that hold the upper hinge (5) (right side) to the frame. Take away the upper hinge (5).
3. Lift the door and place it on a padded surface to prevent scratching it.
4. Remove the two screws(8) that hold the lower hinge(2) and Make sure to Remove the lower hinge(2).
5. Remove the left front leg (4) and transfer it to the right side.
6. Remove the hole cover plate(7) to the right side.
7. Before placing this lower hinge(2), remove the bolt-pin (9) and reverse the direction of the lower hinge(2). Then install the lower hinge (2) onto the left side of the lower frame with two screws (8).
8. Insert the bolt-pin(9) to the lower hinge (2).
9. Set the door to its place making sure the door seat at the upper hinge(2).
10. While holding the door in the closed position secure the upper hinge (5) in the top frame of left side with two screws (1). Please remember that do not tighten the two screws(1) until the top of the door is levelled with the counter top.
11. Install the upper hinge cover(6) on the upper hinge..
12. Changing the door handle from the left side to the right side .

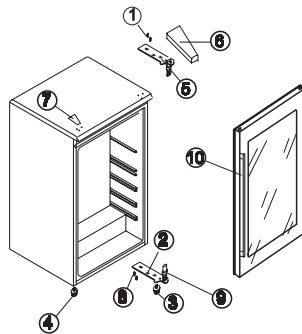


FIGURE 1

Door opening from left side

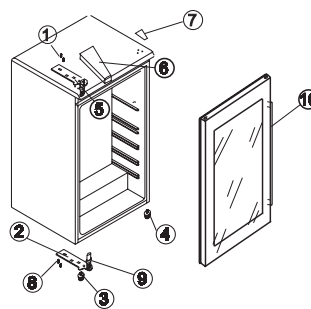


FIGURE 2

Door opening from right side

IMPORTANT SAFEGUARDS

Do not store food in wine cooler, as interior temperature may not get cool enough to prevent spoilage. As a natural result of condensation, in summer months or area of high humidity, the glass door may built up moisture on the outside. Just wipe it away.

OPERATING YOUR WINE COOLER

It is recommended you install the wine cooler in a place where the ambient temperature is between 22-25 degree Celsius .If the ambient temperature in above or below the recommended temperature, conditions may cause the interior temperature to fluctuate.

If the interior light is left on, the temperature inside the wine cooler will be higher.





Recommended Temperatures for chilling Wine

Red wines:	15.5-18.5 C
Dry/White Wines	10-15 C
Sparkling Wines	7.2-9.5 C
Rose Wines	9.5-10.5 C

The above temperatures may fluctuate depending on whether or not the interior bulb is on or off or whether the bottles are located on the lower/middle or lower section.



HOW TO USE THE BUTTONS ON THE DISPLAY PANEL:

You can set the temperature as you desire by pushing the button  or . When you push the two buttons for first time, the LED readout will show the original temperature set at previous time(the temperature preset at the factory is 50 F) .The temperature that you desire to set will increase 1 F or 1 C if you push the  once, on the contry the temperature will decrease 1 F or 1 C if you push the  once.

When you store mostly red wines, the temperature which you control by pushing the above two buttons needs to be set between 15.5 to 18.5 C and the LED lamp beside "RED" will be lit red.

When you store mostly white wines, the temperature needs to be set at between 10 to 15°C and the RED lamp beside "WHITE" will be lit green. When you store mostly sparkling wines the temperature needs to be set at between 7.2 to 9.5°C and the LED lamp beside "SPARKLING" will be lit amber.

You can select temperature display setting from Fahrenheit to Celsius degree by pushing the button marked F/C. Fahrenheit degree indicator will appear in red color in the display marked °F and the Celsius degrees indicator will appear in yellow color in the display marked °C. You can turn the interior light on or off by pushing the button marked ON/OFF symbol.

Shelves

Shelving is chrome plated. To accommodate different size bottles, they can be moved up or down by sliding them out of the tracks. The shelves are designed to accommodate the maximum amount of bottles.

Wine Rack

There is an additional wine rack at bottom section of the unit where you can store up to 6 wine bottles. This rack is removable for cleaning purpose.

NOTE:

When you use the wine cooler for the first time or restart the wine cooler after it has been turned off for long time , there could be a few degrees variance between the temperature you select and the one indicated on the LED readout. This is normal and it is due to the length of the activation time . Once the wine cooler is running for a few hours everything will be back to normal.

Also, there is a 4 to 6 C variance between the top and bottom shelves of the wine chiller. Therefore, If you have set the wine cellar for red wine only and the temperature reads 16 C and you want to place a mix of white and red wines, you should place the wine bottles on the bottom shelves and the red wines on the top shelves.

CARE AND MAINTENANCE

CHANGING THE LIGHT BULB

Note: All parts removed must be saved to do the replacement of the light bulb. Before removing the light bulb, either unplug the refrigerator or disconnect the electricity leading into the refrigerator at the main power supply. Failure to do so could result in electrical shock or personal injury. Light bulb should not exceed 10 watts.

~~Cleaning Your Wine Cooler~~

- Unplug the wine cooler, and remove the bottles.
- Wash the inside with a warm water and baking soda solution. The solution should be about 2 tablespoons of baking soda to a quart of water.
- Wash the shelves and trays with a mild detergent solution.
- The outside of the wine cooler should be cleaned with mild detergent and warm water.
- It may also be necessary to periodically wipe the bottom part of the storage area, as the wine cooler is designed to retain humidity, and condensation may collect there.

~~Maintenance of Your Wine Cooler~~

- Power Failure
Most power failures are corrected within a few hours and should not affect the temperature of your wine cooler if you minimize the number of times the door is opened. If the power is going to be off for a longer period of time, you need to take the proper steps to protect your contents.

~~Vacation Time~~

During long absences, remove all the bottles; unplug your wine cooler, clean your wine cooler, and leave the door open slightly to avoid possible formation of condensation, mold, or odors.

~~Moving Your Wine Cooler~~

- Remove all the bottles.
- Securely tape down all loose items inside your wine cooler.
- Turn the levelling screws up to the base to avoid damage.
- Tape the doors shut.
- Be sure the wine cooler stays in the upright position during transportation.

Troubleshooting

You can solve many common wine cellar problems easily, saving you the cost of a possible service call. Try the suggestions below to see if you can solve the problem before calling the servicer.

TROUBLESHOOTING GUIDE

PROBLEM	POSSIBLE CAUSE
Wine cooler does not operate.	Not plugged in. The circuit breaker tripped or blown fuse.
Wine cooler is not cold enough.	Check to be sure the temperature control setting. External environment may require a higher setting. The door is opened too often. The door is not closed completely. The door gasket does not seal properly. The wine cooler does not have the correct clearances.
Compressor turns on and off frequently	The room temperature is hotter than normal. A large amount of warm wine has been added to the wine cooler. The door is opened too often. The door is not closed completely. The temperature control is not set correctly. The door gasket does not seal properly. The wine cooler does not have the correct clearances.
The light does not work.	The home circuit breaker or fuse has tripped. The wine cooler is unplugged. The bulb has burned out(see maintenance section for the replacement procedure). The switch is in the "OFF" position.

Vibrations.	Check to assure that the wine cooler is level.
The wine cooler seems to make too much noise.	The rattling noise may come from the flow of the refrigerant, which is normal. As each cycle ends, you may hear gurgling sounds caused by the flow of refrigerant in your wine cooler. Contraction and expansion of the inside walls may cause popping and crackling noises. The wine cooler is not level.
The door will not close properly.	The wine cooler is not level. The doors were reversed and not properly installed. The gasket is dirty. The shelves are out of position.

Technical Specifications:

For detailed specifications, please refer to the nameplate at the back of the wine Cellar. The specifications are subject to change without prior notice due to products Improvement.

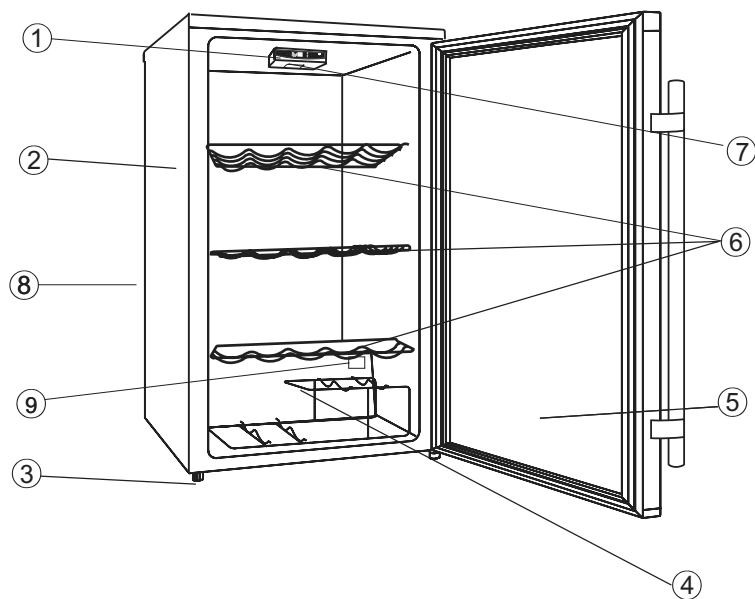
BRUGSVEJLEDNING

Du kan selv løse mange af de mest almindelige problemer med vinkøleren og spare udgifterne til et eventuelt servicebesøg. Prøv at løse problemet ved hjælp af nedenstående forslag, inden du tilkalder service.

FEJLFINDINGSVEJLEDNING

PROBLEM	MULIG ÅRSAG
Vinkøleren fungerer ikke.	Fejlstrømsrelæet er aktiveret, eller sikringen er sprunget. Stikket er ikke sat i.
Vinkøleren er ikke tilstrækkelig kold.	Der er ikke tilstrækkelig plads omkring vinkøleren. Dørpakningen slutter ikke tæt. Døren er ikke lukket helt. Døren åbnes for ofte. Den omgivende temperatur kan nødvendiggøre en lavere indstilling. Kontroller temperaturvælgerens indstilling.
Kompressoren kører ofte.	Der er ikke tilstrækkelig plads omkring vinkøleren. Dørpakningen slutter ikke tæt. Temperaturvælgeren er ikke indstillet korrekt. Døren er ikke lukket helt. Døren åbnes for ofte. Der er placeret en stor mængde varm vin i vinkøleren. Den omgivende temperatur er højere end normalt.
Lysset fungerer ikke.	Kontakten står på "OFF". Pæren er sprunget (se oplysninger om udskiftning i afsnittet om vedligeholdelse). Vinkøleren er ikke tilsluttet. Fejlstrømsrelæet er aktiveret, eller sikringen er sprunget.

Betjenings- og displaypanel



1. Kabinet
2. Justerbare fødder
3. Vinstativ
4. Glasdør
5. Forkromede hylder
6. Indvendigt lys
7. Elektrisk styreenhed (på bagsiden)
8. Temperatursensor

Læs hele vejledningen, før vinkøleren anvendes.

Børn kan lukke sig inde i vinkøleren under leg og blive kvalt. Kasserede husholdningsapparater er farlige, selvom de "blot skal stå i garagen et par dage".

Inden du bortskaffer den gamle vinkøler:

Tag døren af, men lad hylderne sidde i, så børn ikke kan kravle ind i vinkøleren.

Lad aldrig børn bruge, lege med eller kravle ind i vinkøleren.

Rengør aldrig vinkøleren med brandfarlige væsker. Dampene kan medføre brand- og eksplosionsfare.

Opbevar og brug ikke benzin eller andre brandfarlige dampe og væsker i nærheden af dette eller andre husholdningsapparater. Dampene kan medføre brand- og eksplosionsfare.

INSTALLATIONSVEJLEDNING

Inden du tager vinkøleren i brug

Fjern den udvendige og indvendige emballage, herunder den beskyttende skumgummi på dørpanelerne.

Kontroller, at følgende dele er inkluderet:

3 udtrækshylder

1 vinstativ

1 brugsvejledning

Inden du tænder for vinkøleren, skal den stå oprejst i ca. 2 timer. Dette reducerer risikoen for driftsforstyrrelser i kølesystemet som følge af håndteringen under transporten.

Rengør de indvendige flader med en blød klud vredet op i lunkent vand.

Installation af vinkøleren

Placer vinkøleren på et gulv, som er stærkt nok til at bære den, når den er fyldt helt op. Juster fødderne på forsiden for at få vinkøleren til at stå vandret. Der skal være 10-15 cm afstand til bagsiden og siderne af vinkøleren, så luften kan cirkulere frit

og afkøle kompressoren. Placer ikke vinkøleren i direkte sollys og i nærheden af varmekilder (komfur, varmeapparat, radiator osv.). Direkte sollys kan ødelægge akrylbelægningen, og varmekilderne kan få elforbruget til at stige. Ekstremt lave omgivende temperaturer kan også bevirke, at apparatet ikke fungerer korrekt.

Undgå at placere vinkøleren i fugtige omgivelser. For høj luftfugtighed kan bevirke, at der hurtigt dannes rim på fordamperen.

PLEJE OG VEDLIGEHOLDELSE

UDSKIFTNING AF PÆREN

Bemærk! Alle de dele, der afmonteres ved udskiftningen, skal gemmes. Inden du afmonterer pæren, skal du enten trække stikket ud eller afbryde strømmen til vinkøleren ved hovedkontakten. I modsat fald er der risiko for elektrisk stød eller personskade.

Pæren skal være på højst 10 W.

Rengøring af vinkøleren

Tag stikket ud af stikkontakten, og tag flaskerne ud. Vask vinkøleren indvendigt med varmt vand og en opløsning bestående af natriumbicarbonat og vand. Opløsningen skal være i forholdet to spiseskefulde natriumbicarbonat til en liter vand.

Vask hylder og bakker med en mild opløsning bestående af opvaskemiddel og vand. Den udvendige side af vinkøleren skal ligeledes vaskes med en mild opløsning bestående af opvaskemiddel og vand. Det kan også være nødvendigt regelmæssigt at aftørre bunden af opbevaringsrummet, da vinkøleren er konstrueret til at holde på fugtigheden, og der kan samles kondensvand her.

Vedligeholdelse af vinkøleren

Strømafbrydelse

De fleste strømsvigt varer nogle få timer og bør ikke påvirke temperaturen i vinkøleren, hvis døren så vidt muligt holdes lukket. Hvis strømmen er afbrudt gennem længere tid, skal du tage de nødvendige forholdsregler for at beskytte indholdet i vinkøleren.

Ferie

Tag alle flasker ud ved længere tids fravær. Tag stikket ud af kontakten, rengør vinkøleren, og lad døren stå på klem for at undgå, at der dannes kondens, mug eller dårlig lugt.

Flytning af vinkøleren

- Tag alle flasker ud.
- Fastgør alle løse dele inde i vinkøleren med tape.
- Skru nivelleringskruerne op i bunden for at undgå skader.
- Luk døren, og fastgør den med tape.
- Sørg for, at vinkøleren står oprejst under transporten.

Hvis du især opbevarer rødvin, skal temperaturen, som du styrer ved at trykke på de to viste knapper, indstilles til mellem 15,5° C og 18,5° C. Indikatoren ud for "RED" lyser rødt.

Hvis du især opbevarer hvidvin, skal temperaturen indstilles til mellem 10° C og 15° C, og indikatoren ud for "WHITE" lyser grønt. Hvis du især opbevarer mousserende vin, skal temperaturen indstilles til mellem 7,2° C og 9,5° C, og indikatoren ud for "SPARKLING" lyser gult.

Du kan vælge mellem Fahrenheit- og Celsius-temperaturindstilling ved at trykke på knappen F/C. Fahrenheit-indikatoren vises som et rødt F i displayet, og Celsius-indikatoren vises som et gult C i displayet. Du kan tænde eller slukke det indvendige lys ved at trykke på knappen ON/OFF.

Hylder

Hylderne er forkromede. Når du skal opbevare flasker af forskellig størrelse, kan du flytte hylderne op eller ned ved at trække dem ud af skinnerne. Hylderne er konstrueret, så de har plads til det størst mulige antal flasker.

Vinstativ

Der findes et ekstra vinstativ med plads til op til seks vinflasker i den nederste sektion. Stativet kan tages ud i forbindelse med rengøring.

BEMÆRK!

Når du bruger vinkøleren første gang eller genstarter vinkøleren, efter at den har været slukket i længere tid, kan der være nogle få graders forskel mellem den valgte temperatur, og den temperatur, der er angivet i displayet. Dette er normalt og skyldes aktiveringstiden. Efter nogle få timer kører vinkøleren normalt.

Der er en temperaturforskel på 4-6° C mellem de øverste og nederste hylder i vinkøleren. Hvis du således har indstillet temperaturen kun til rødvin (f.eks. 16° C), og du ønsker at opbevare både hvidvin og rødvin i vinkøleren, skal du placere hvidvinen på de nederste hylder og rødvinen på de øverste.

Sæt apparatets stik i en separat stikkontakt, som er korrekt installeret og jordforbundet. Fjern under ingen omstændigheder jordbenet fra stikket. Alle spørgsmål vedrørende strøm eller jordforbindelse skal rettes direkte til en autoriseret elektriker eller et autoriseret Kelvinator-servicecenter.

Forkert brug af stikket kan medføre risiko for elektrisk stød. Hvis netledningen er beskadiget, skal den udskiftes af et autoriseret Kelvinator-servicecenter.

VIGTIGE SIKKERHEDSFORANSTALTNINGER

Opbevar ikke madvarer i vinkøleren, da temperaturen ikke altid er lav nok til at forhindre, at maden fordærves. Som en naturlig følge af kondensering kan der

dannes fugt udvendigt på vinkøleren i sommermånederne eller i områder med høj fugtighed. Denne fugt skal du blot tørre af.

BETJENING AF VINKØLEREN

Det anbefales at installere vinkøleren på et sted, hvor omgivelsestemperaturen ligger mellem 22-25° C. Hvis temperaturen ligger over eller under det anbefalede niveau, kan det få den indvendige temperatur til at svinge.

Hvis lyset i vinkøleren er tændt, er temperaturen inde i vinkøleren højere.

Anbefalede temperaturer til afkøling af vin

Rødvin: 15,5-18,5° C

Hvidvin (tør) 10-15° C



Mousserende vin 7,2-9,5° C

Rosévin 9,5-10,5° C



Ovennævnte temperaturer kan variere, afhængigt af om lyset i vinkøleren er tændt eller slukket, eller om flaskerne er placeret i øverste/midterste eller nederste sektion.



SÅDAN BRUGES KNAPPERNE PÅ DISPLAYPANELET:

Du kan indstille den ønskede temperatur ved at trykke på knappen  eller .

Når du trykker på de to knapper første gang, vises den temperatur, der tidligere var indstillet (den fabriksindstillede temperatur er 50° F).

Temperaturen sænkes 1° F eller 1° C, hvis du trykker én gang på , og den hæves 1° F eller 1° C, hvis du trykker én gang på .

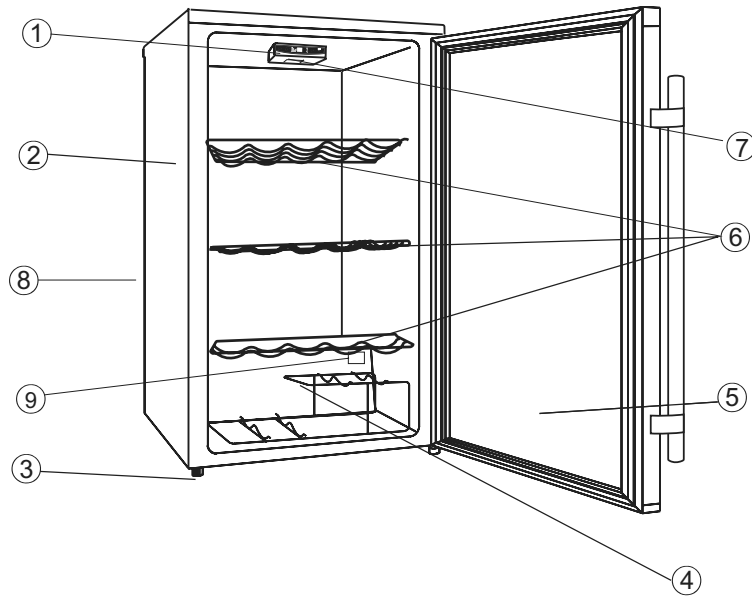
KÄYTTÖOHJE

Voit ratkaista monet viinikaappiin liittyvät tavalliset ongelmat helposti ja säästää siten mahdollisen huoltokäynnin hinnan. Yritä ratkaista ongelma seuraavien ohjeiden avulla ennen korjaajan kutsumista.

VIANMÄÄRITYSOPAS

ONGELMA	MAHDOLLINEN SYY
Viinikaappi ei toimi.	Suojakatkaisin on lauennut tai sulake palanut. Kaappia ei ole kytketty virtalähteeseen.
Viinikaappi ei ole tarpeeksi kylmä.	Viinikaapin ympärillä ei ole riittävästi vapaata tilaa. Oven tiiviste ei ole tarpeeksi tiivis. Ovea ei ole suljettu kokonaan. Ovi avataan liian usein. Huoneen lämpötila saattaa edellyttää jäähdytyksen tehostamista. Tarkista varmuuden vuoksi lämpötila-asetus.
Kompressori menee toistuvasti päälle ja pois päältä.	Viinikaapin ympärillä ei ole riittävästi vapaata tilaa. Oven tiiviste ei ole tarpeeksi tiivis. Lämpötila-asetus ei ole oikein. Ovea ei ole suljettu kokonaan. Ovea avataan liian usein. Viinikaappiin on lisätty paljon lämpimiä pulloja. Huoneen lämpötila on tavallista korkeampi.
Valo ei pala.	Katkaisin on OFF-asennossa. Lamppu on palanut (katso Huolto-luvusta sen vaihto-ohje). Viinikaappia ei ole kytketty pistorasiaan. Asunnon suojakatkaisin on lauennut tai sulake on palanut.

Käyttö- ja näyttöpaneeli



1. Kaappi
2. Tasausjalka
3. Viiniteline
4. Lasiovi
5. Kromihyllyt
6. Sisälamppu
7. Sähköiset hallintalaitteet (takana)
8. Lämpötila-anturi

Lue ohjeet kokonaan ennen laitteen käyttöä.

Lapset saattavat edelleenkin jäädä loukkuun kaapin sisälle ja tukehtua. Myös poisheitetyt tai hylätyt laitteet ovat vaarallisia, vaikka tarkoitus onkin ”säilyttää niitä autotallissa vain muutaman päivän ajan”.

Ennen kuin hävität vanhan viinikaapin:

irrota ovi, mutta jätä hyllyt paikoilleen, jotta lapset eivät pääsisi helposti kiipeämään kaapin sisälle.

Älä koskaan anna lasten käyttää laitetta, leikkiä sillä tai ryömiä sen sisään.

Älä koskaan puhdista laitteen osia syttyvillä nesteillä. Höyryt voivat aiheuttaa tulipalovaaran tai räjähdysen.

Älä varastoi tai käytä bensiiniä tai muita syttyviä kaasuja ja nesteitä tämän tai minkään muunkaan laitteen lähellä. Höyryt voivat aiheuttaa tulipalon tai räjähdysen.

ASENNUSOHJEET

Ennen kuin käytät viinikaappia

Poista ulko- ja sisäpuoliset pakkausmateriaalit, myös ovipaneeleissa oleva suojavaahtomuovi.

Tarkista, että pakkaukseen kuuluvat seuraavat osat:

3 irrotettavaa hyllyä

1 viiniteline

1 käyttöohje

Ennen kuin kytket laitteen virtalähteeseen, anna sen olla pystyasennossa noin kaksi tuntia. Tämä vähentää kuljetuksenaikaisen käsittelyn mahdollisesti aiheuttamia häiriöitä jäähdytysjärjestelmässä.

Puhdista sisäpinta haalealla vedellä ja pehmeällä liinalla.

Viinikaapin asennus

Aseta laite lattialle, joka on tarpeeksi vahva kestämään täyden kaapin painon. Aseta laite suoraan säätämällä laitteen etureunassa olevia jalkoja. Jätä noin 13 cm:n rako laitteen taka- ja sivuseinien ympärille, jotta ilma kiertäisi kunnolla ja jäähdyttäisi kompressoria. Sijoita laite siten, ettei auringonvalo osu siihen suoraan eikä se ole lämmönlähteiden (esimerkiksi liedon, lämmityslaitteen tai lämpöpatterin) lähellä. Suora auringonvalo voi vaikuttaa akryylipinnoitteeseen, ja lämmönlähteet voivat lisätä sähkönkulutusta. Jos ympäristön lämpötila on hyvin alhainen, laite ei välttämättä toimi kunnolla.

Älä sijoita laitetta kosteaan paikkaan. Jos ilmassa on liikaa kosteutta, haihduttimeen muodostuu nopeasti huurretta.

HUOLTO-OHJEITA

LAMPUN VAIHTO

Huomautus: Kaikki irrotetut osat on pantava talteen lampun takaisinasettamista varten. Irrota laite pistorasiasta tai katkaise laitteeseen johtava virta päävirtakytkimestä ennen lampun irrottamista. Jos näitä ohjeita ei noudateta, seurauksena saattaa olla sähköisku tai henkilövamma.

Lampun teho ei saa olla yli 10 W.

Viinikaapin puhdistaminen

Irrota viinikaappi virtalähteestä ja poista pullot kaapista. Pese sisäpuoli lämpimällä vedellä ja ruokasoodaliuksella. Liuoksen vahvuuden pitäisi olla noin kaksi ruokalusikallista ruokasoodaa vesilitraa kohti.

Pese hyllyt ja telineet miedolla pesuaineliuksella. Viinikaapin ulkopinnan puhdistukseen suositellaan mietoa puhdistusainetta ja lämmintä vettä. Myös säilytysalueen alaosa olisi hyvä pyyhkiä säännöllisesti, sillä viinikaappi on suunniteltu säilyttämään kosteutta, joten alaosaan saattaa kerääntyä tiivistynyttä nestettä.

Viinikaapin huolto

Sähkökatko

Useimmat sähkökatkot korjataan muutaman tunnin kuluessa, joten niiden ei pitäisi vaikuttaa viinikaapin lämpötilaan, jos ovea avataan mahdollisimman harvoin. Jos virta on pois pidemmän aikaa, ryhdy tarvittaviin toimiin kaapin sisällön suojaamiseksi.

Loma-aika

Poista kaikki pullot pitkän käyttökätkön ajaksi; irrota viinikaappi pistorasiasta, puhdista viinikaappi ja jätä ovi hieman raolleen, jottei sinne tiivistyisi kosteutta tai muodostuisi hometta tai hajua.

Viinikaapin siirtäminen

- Poista kaikki pullot.
- Kiinnitä kaikki viinikaapin sisällä olevat irralliset osat lujasti teipillä.
- Käännä tasausruuvit ylös pohjaa vasten vahinkojen välttämiseksi.
- Teippaa ovet kiinni.
- Varmista, että viinikaappi pysyy pystyasennossa kuljetuksen aikana.

Kun säilytät kaapissa lähinnä punaviinejä, lämpötilaksi, jota säädellään painamalla kahta yllä olevaa painiketta, on asetettava 15,5–18,5 °C. RED-sanan vieressä oleva punainen LED-lamppu syttyy.

Kun säilytät kaapissa lähinnä valkoviinejä, lämpötilaksi on asetettava 10–15 °C. WHITE-sanan vieressä oleva vihreä LED-valo syttyy. Kun säilytät kaapissa lähinnä kuohuviinejä, lämpötilaksi on valittava 7,2–9,5 °C. SPARKLING-sanan vieressä oleva keltainen LED-valo syttyy.

Voit valita, näytetäänkö lämpötila Fahrenheit- vai Celsius-asteina painamalla F/C-painiketta. Jos valitset Fahrenheit-asteet, (F)-merkin viereen syttyy punainen valo ja jos valitset Celsius-asteet, C-merkin viereen syttyy keltainen valo. Sisävalon voi sytyttää ja sammuttaa painamalla ON/OFF-symbolilla merkittyä painiketta.

Hyllyt

Hyllyt on päällystetty kromilla. Jotta hyllyillä voisi varastoida erikokoisia pulloja, hyllyjä voidaan siirtää ylemmäksi tai alemmaksi vetämällä ne ensin ulos urista. Hyllyt on suunniteltu siten, että niille sopii mahdollisimman paljon pulloja.

Viiniteline

Kaapin alaosassa on ylimääräinen viiniteline, jonne voi varastoida enintään kuusi viinipulloa. Telineen voi poistaa puhdistusta varten.

HUOMAUTUS:

Kun käytät viinikaappia ensimmäistä kertaa tai käynnistät viinikaapin uudelleen pitkän käyttökätkön jälkeen, valitsemasi lämpötilan ja LED-näytöllä näkyvän lämpötilan välillä saattaa olla muutaman asteen ero. Tämä on normaalia ja johtuu pitkästä käynnistymisajasta. Ero häviää, kun viinikaappi on ollut päällä muutaman tunnin ajan.

Viinikaapin ylä- ja alahyllyjen välinen lämpötilaero on 4–6 °C. Jos olet asettanut lämpötilan vain punaviiniä varten, jolloin lämpötila on 16 °C, mutta haluatkin säilyttää kaapissa sekä valko- että punaviinejä, aseta valkoviinipullot alahyllyille ja punaviinipullot ylahyllyille.

Kytke laite jakamattomaan, oikein asennettuun ja maadoitettuun seinäpistorasiaan. Älä koskaan katkaise tai irrota virtajohdon pistokkeesta kolmatta piikkiä (jota käytetään maadoitukseen). Sähköön ja maadoitukseen liittyvissä kysymyksissä on käännettävä hyväksytyn sähköasentajan tai valtuutetun huoltoliikkeen puoleen.

Maadoitetun pistokkeen väärinkäyttö voi aiheuttaa sähköiskun vaaran. Jos virtajohdo vaurioituu, anna valtuutetun huoltoliikkeen vaihtaa se.

TÄRKEITÄ VAROTOIMIA

Älä säilytä elintarvikkeita viinikaapissa, koska sisälämpötila ei ehkä ole tarpeeksi alhainen estämään niiden pilaantumista. Tiivistymisen luonnollisena seurauksena lasioven ulkopuolelle voi muodostua kosteutta kesäkuukausina tai hyvin kosteilla alueilla. Pyyhi kosteus pois.

VIINIKAAPIN KÄYTTÖ

Viinikaappi olisi hyvä sijoittaa paikkaan, jossa ympäristön lämpötila on 22–25 °C. Jos ympäristön lämpötila on suosituslämpötilan ylä- tai alapuolella, ympäröivät lämpötilaolot voivat aiheuttaa sisälämpötilan vaihtelua.

Jos sisälamppu jätetään päälle, viinikaapin sisälämpötila on korkeampi.

Suosittelut viininjäähdytyslämpötilat

Punaviinit: 15,5–18,5 °C

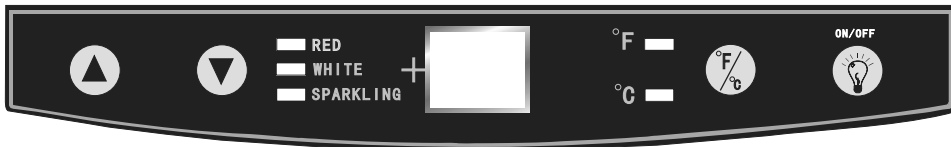
Kuivat- ja valkoviinit 10–15 °C

Kuohuviinit 7,2–9,5 °C

Roseeviinit 9,5–10,5 °C

Edellä mainitut lämpötilat saattavat vaihdella sen mukaan, onko sisälamppu päällä

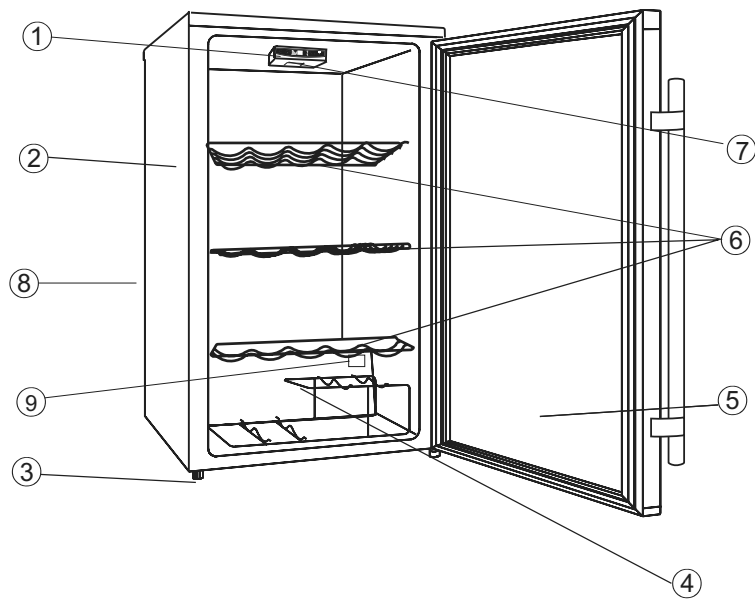
vai pois päältä ja sijaitsevatko pullo ylä-, keski- vai alatasolla.



KÄYTTÖPANEELIEN PAINIKKEIDEN KÄYTTÖ:

Voit valita haluamasi lämpötilan painamalla [?]tai -painikkeita.

Composants et caractéristiques



1. Bandeau de commande
2. Caisse
3. Pieds réglables
4. Casier à bouteilles
5. Porte vitrée
6. Étagères chromées
7. Lumière
8. Branchement électrique

Mesures de sécurité importantes

- Lisez toutes les instructions avant d'utiliser l'appareil.
- Ne permettez pas à vos enfants d'utiliser l'appareil pour jouer ou pour s'y installer.
- Ne nettoyez jamais l'appareil avec des liquides inflammables. Les gaz peuvent causer un incendie ou une explosion.
- Ne conservez ni n'utilisez de l'essence ou autre matériau inflammable à proximité d'un appareil, celui-ci ou un autre. Les gaz peuvent causer un incendie ou une explosion.

INSTRUCTIONS D'INSTALLATION

Avant d'utiliser la cave à vin

- Retirez l'emballage à l'intérieur et à l'extérieur de l'appareil, y compris la feuille de protection de la porte.
- Vérifiez que les composants suivants sont présents :
 - 3 étagères amovibles
 - 1 casier à bouteilles amovible
 - 1 notice d'utilisation
- Laissez reposer l'appareil en position debout pendant environ 2 heures avant de le raccorder au réseau d'électricité. Ceci réduit le risque d'une défaillance du système de réfrigération liée au déplacement
- Nettoyez l'intérieur de l'appareil à l'eau tiède et avec un chiffon doux.

Installation de la cave à vin

- Placez votre cave à vin sur un sol suffisamment résistant que pour supporter l'appareil lorsqu'il est entièrement rempli. Vous pouvez utiliser les pieds réglables pour ajuster la position de l'appareil.

- Prévoyez 12.5 cm à l'arrière et sur les flancs de l'appareil de façon à garantir une circulation d'air suffisante pour le refroidissement du compresseur.
- N'exposez pas l'appareil au soleil ni à d'autres sources de chaleur (poêle, chauffage, radiateur...). Le rayonnement du soleil peut avoir un effet néfaste sur la couche de peinture acrylique et les sources de chaleur font augmenter la consommation d'électricité.
Les températures très basses peuvent également être la cause d'un mauvais fonctionnement de l'appareil.
- Evitez de placer l'appareil dans un environnement humide. Trop d'humidité l'air accélérera la formation de givre sur l'évaporateur.
- Raccordez l'appareil à une prise de courant avec une bonne prise de terre. N'éliminez ou ne coupez jamais le fil de terre du cordon. Posez toutes vos questions concernant la mise à la terre à un électricien ou à un centre service agréé Candy.

Avertissement : une utilisation inappropriée de la prise de courant avec prise de terre comporte un risque de choc électrique. Si le cordon d'alimentation est endommagé, faites-le remplacer par un centre de service agréé Candy.

INFORMATIONS IMPORTANTES

Ne conservez pas de nourriture dans le réfrigérateur à vin, car la température peut être insuffisante pour maintenir les aliments en état de fraîcheur. Comme conséquence naturelle de la condensation, des températures élevées au cours des mois d'été ou d'un environnement très humide, la porte vitrée peut s'embuer sur sa surface extérieure. Il vous suffira de l'essuyer.

UTILISATION DE VOTRE CAVE À VIN

Il est recommandé d'installer votre cave à vin dans un espace dont la température moyenne se trouve entre 22°C et 25°C. Lorsque la température moyenne est inférieure ou supérieure à la température recommandée, la température à l'intérieur peut fluctuer.

Si l'éclairage intérieur reste allumé, la température dans la cave à vin sera plus élevée.

Température recommandée chaque vin :

Vins rouges :	15,5 °C - 18,5 °C
Vins secs/blancs :	10 °C - 15 °C
Vins mousseux :	7,2 °C - 9,5 °C
Vins rosés :	9,5 °C - 10,5 °C

Les températures peuvent varier selon l'emplacement des bouteilles (température plus froide en bas qu'en haut).



Utilisation du thermostat

Vous pouvez régler la température souhaitée en appuyant sur les touches ▲ or ▼. Si la première fois vous appuyez sur les deux touches, la dernière température réglée s'affichera (la température pré-réglée à l'usine est de 50°F). La température augmente d'1°F ou d'1°C en appuyant sur la touche ▲ et diminuera au contraire d'1°F ou d'1°C en appuyant sur la touche ▼.

Si vous conservez principalement des vins rouges, nous vous recommandons un réglage de la température entre 15.5 et 18.5°C. Le voyant situé au dessus de l'inscription RED (Rouge) s'allumera alors en rouge.

Si vous conservez principalement des bouteilles de vin blanc, nous vous recommandons alors un réglage de la température entre 10 et 15°C. Le voyant situé au dessus de l'inscription WHITE (blanc) s'allumera alors en vert.

Si vous conservez principalement des bouteilles de vin pétillant, nous vous recommandons un réglage de la température entre 7.2 et 9.5°C. Le voyant situé au dessus de l'inscription SPARKLING (pétillant) s'allumera alors en orange.

Vous pouvez choisir un affichage en degrés Fahrenheit ou bien Celsius en appuyant sur la touche marquée F/C. Les degrés fahrenheit apparaissent sur le display en rouge suivis du signe °F et les degrés Celsius apparaissent sur le display en jaune suivis du signe °C.

Vous pouvez allumer ou éteindre l'éclairage intérieure en appuyant sur le bouton marqué ON/OFF.

Etagères

Les étagères sont en acier chromé. Pour ranger des bouteilles de hauteurs différentes, déplacez-les plus haut ou plus bas en les extrayant

de leurs rails. Les étagères sont conçues pour le rangement d'un maximum de bouteilles.

Casier à vin

Il y a un casier à bouteilles supplémentaire dans la partie inférieure de la cave qui peut contenir jusqu'à six bouteilles. Ce casier peut être retiré pour le nettoyage.

REMARQUE :

Lors de la première utilisation du produit, ou si vous rebranchez l'appareil après une longue période d'absence, il peut y avoir un écart de quelques degrés entre la température sélectionnée et celle affichée sur le display. Ce temps de latence est normal et après quelques heures de fonctionnl

Il y a une différence de 4 °C à 6°C entre les étagères supérieures et inférieures de la cave à vin. Si vous avez réglé la cave pour du vin rouge et que vous désirez stocker une combinaison de vins rouges et blancs, placez le vin blanc dans la partie basse et le vin rouge dans la partie haute de l'appareil.

ENTRETIEN

REPLACEMENT DE L'AMPOULE

REMARQUE :

Conservez toutes les pièces lors du remplacement de la lampe. Avant de démonter la lampe, débranchez le produit ou retirez le cordon d'alimentation de la prise de courant. Si vous omettez de le faire, vous risquez de vous blesser.

L'ampoule ne peut dépasser 10 watts.

Nettoyage de la cave à vin

- Débranchez la cave à vin et retirez les bouteilles.
- Nettoyez l'intérieur à l'eau tiède et une solution de bicarbonate de soude.
La formule optimale est de deux cuillérées de bicarbonate par litre d'eau.
- Nettoyez les étagères avec un détergent doux.
- Nettoyez la surface extérieure du produit à l'eau et au détergent doux.
- Il peut s'avérer nécessaire d'essuyer régulièrement la partie inférieure du produit, car la cave à vin a été conçue pour retenir l'humidité et par conséquent la condensation peut s'accumuler à cet endroit.

Entretien de votre réfrigérateur à vin

- Coupure de courant

La plupart des coupures de courant sont réparées en quelques heures et n'ont aucun effet sur la température de votre cave à vin à condition que vous réduisiez le nombre d'ouvertures de la porte au minimum. Lorsque le courant est coupé pendant une période plus longue, prenez les mesures adéquates pour protéger votre vin.

Pendant les vacances

Lors d'une longue absence, retirez toutes les bouteilles, débranchez votre cave à vin, nettoyez-la et laissez la porte entrouverte afin d'éviter la formation éventuelle de condensation, de moisissures et d'odeurs.

Problèmes fréquents

Vous pouvez résoudre par vous-même de nombreux problèmes du réfrigérateur et ainsi éviter d'appeler le centre de service. Essayez les suggestions suivantes pour vérifier si pouvez résoudre le problème par vous-même avant de faire appel au centre de service.

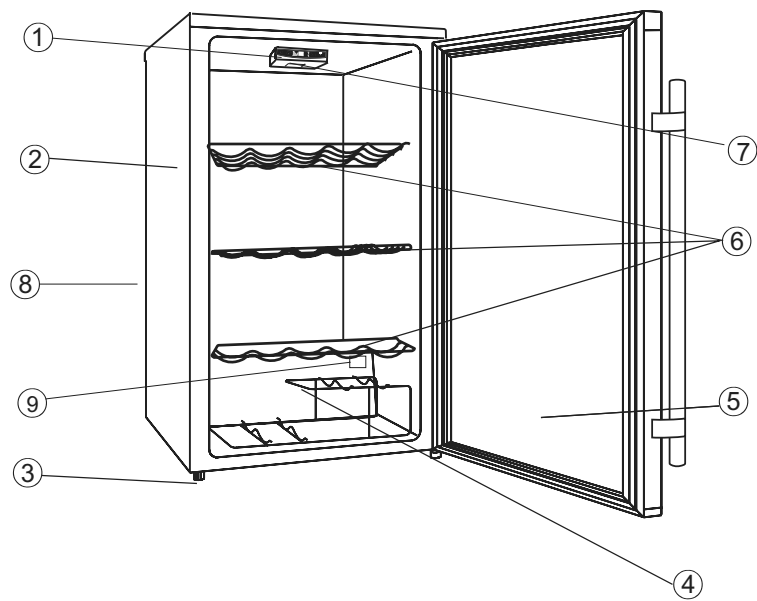
Transporter la cave à vin

- Retirez toutes les bouteilles
- Scotchez soigneusement toutes les pièces amovibles à l'intérieur de la cave
- Rentrez les pieds réglables au maximum afin d'éviter tout dommage
- Fermez et scotchez soigneusement la porte
- Assurez-vous que la cave soit transportée à l'endroit en position verticale.

Vous pouvez résoudre facilement la plupart des problèmes classiques de la cave à vin, en vous économisant un appel au service après-vente.

PROBLEME	CAUSE POSSIBLE
La cave à vin ne fonctionne pas.	Non branchée. Disjoncteur sauté ou fusible grillé.
La cave ne refroidit pas suffisamment.	Vérifiez la position du thermostat. L'environnement extérieur nécessite un réglage plus fort. La porte est ouverte trop fréquemment. La porte n'est pas parfaitement fermée. Le joint de la porte n'est pas étanche. La cave à vin n'a pas assez d'espace autour d'elle pour bien se refroidir.
Le compresseur démarre et s'arrête fréquemment.	La température ambiante est plus élevée que la normale. Une grande quantité de bouteilles tièdes a été ajoutée. La porte est ouverte trop fréquemment. La porte n'est pas fermée hermétiquement.

	<p>La température n'est pas réglée correctement. Le joint de la porte n'est pas étanche. La cave à vin n'a pas assez d'espace autour d'elle pour bien se refroidir.</p>
L'éclairage ne fonctionne pas.	<p>Disjoncteur sauté ou fusible grillé. La cave n'est pas branchée. L'ampoule est grillée. Le bouton de marche/arrêt est en position 'OFF'.</p>
Vibrations	<p>Vérifiez que la cave est bien stable avec les pieds réglables.</p>
La cave semble trop bruyante.	<p>Le bruit provient de la circulation du gaz réfrigérant et est normal.</p>

BESTANDTEILE UND FUNKTIONEN

1. Anzeige und Schaltbrett
2. Gehäuse
3. Einstellfüße
4. Flaschenablage
5. Glastür
6. Verchromte Weinregale
7. Innenbeleuchtung
8. Elektrische Steuerung (Rückseite)
9. Temperatursonde

Wichtige Sicherheitshinweise

- Lesen Sie diese Anleitung aufmerksam durch, bevor Sie das Gerät in Betrieb nehmen.
- Ausgediente Geräte sind für Kinder immer eine Gefahrenquelle, selbst wenn sie "nur ein paar Tage in der Garage stehen". Deshalb gilt:
- **Wenn Sie Ihren alten Weinkühler entsorgen:**
Entfernen Sie die Tür und lassen Sie die Regale im Geräteinneren, um zu vermeiden, dass Kinder hineinklettern können.
- Verhindern Sie, dass Kinder mit dem Gerät spielen oder hineinklettern.
- Reinigen Sie das Gerät niemals mit entzündlichen Flüssigkeiten. Die daraus steigenden Dämpfe könnten einen Brand oder gar eine Explosion verursachen.
- Lagern Sie oder verwenden Sie kein Benzin und keine anderen entzündlichen Stoffe oder Flüssigkeiten in der Nähe dieses oder anderer Geräte. Die Dämpfe könnten Feuer fangen oder eine Explosion verursachen.

INSTALLATIONSANWEISUNGEN

Vor der ersten Inbetriebnahme

- Entfernen Sie die äußeren und inneren Verpackungsteile, einschließlich des Schaumstoffschutzes auf der Tür.
- Prüfen Sie nach, ob folgendes Zubehör mitgeliefert wurde:
 - 3 Ausziehgitter
 - 1 Flaschenablage
 - 1 Bedienungsanleitung
- Bevor Sie das Gerät an die Stromversorgung anschließen, lassen Sie es mindestens 2 Stunden stehen. Dadurch wird gewährleistet, dass das Kühlsystem nach den Erschütterungen des Transportes sich stabilisieren kann und einwandfrei funktioniert.
- Reinigen Sie die Innenflächen mit lauwarmem Wasser und einem weichen Lappen.

Installation des Weinkühlers

- Stellen Sie das Gerät an eine Stelle, die in der Lage ist, das Gewicht des voll beladenen Gerätes zu tragen. Richten Sie den Kühlschrank mit Hilfe der einstellbaren Vorderfüße waagrecht aus.
- Berücksichtigen Sie an Rückseite und Seitenwänden des Gerätes einen Abstand von mind. 12 cm, damit die Luftzirkulation gewährleistet ist.
- Stellen Sie das Gerät so auf, dass es vor direkter Sonneneinstrahlung sowie anderer Wärmequellen (Heizung, Ofen, Herd usw.) geschützt ist. Das Sonnenlicht könnte die Acrylverkleidung beschädigen, und Wärmequellen erhöhen den Stromverbrauch. Auch zu niedrige Umgebungstemperaturen sind für die richtige Funktion des Gerätes nicht zuträglich.
- Vermeiden Sie es, das Gerät in Feuchträumen aufzustellen. Eine zu hohe Luftfeuchtigkeit begünstigt die Frostbildung auf dem Verdampfer.

- Schließen Sie das Gerät ausschließlich an eine ordnungsgemäß geerdete Steckdose an. Auf keinen Fall dürfen Sie Veränderungen am Stecker des Netzkabels vornehmen. Für alle den Stromanschluss und/oder die Erdung betreffenden Fragen wenden Sie sich an einen qualifizierten Elektrofachmann oder an den autorisierten Werkskundendienst.

ACHTUNG: Ein unzulässiger Gebrauch des gerdeten Steckers kann einen elektrischen Stromschlag zur Folge haben. Sollte das Netzkabel beschädigt sein, lassen sie es durch den zuständigen autorisierten Werkskundendienst austauschen.

TÜRANSCHLAGWECHSEL

Der Türanschlag Ihres Weinkühlers kann beliebig nach rechts oder nach links ausgerichtet werden. Werksseitig wird das Gerät mit Rechtsanschlag geliefert. Sollten Sie den Türanschlag wechseln wollen, gehen Sie wie folgt vor:

HINWEIS:

Bevor Sie den Türanschlagwechsel vornehmen, trennen Sie das Gerät von der Stromversorgung. Alle Teile, die Sie entfernen, müssen für die Montage auf der anderen Türseite aufbewahrt werden.

Werksseitig sind die Türscharniere Ihres Weinkühlers auf der rechten Seite des Gehäuses montiert. Zum Türanschlagwechsel gehen Sie wie folgt vor:

1. Entfernen Sie zuerst die obere Scharnierabdeckung (6)
2. Schrauben Sie die beiden Schrauben (1), welche das obere Scharnier (5) befestigen, vom Rahmen ab und nehmen Sie das obere Scharnier (5) ab.
3. Heben Sie die Tür und legen Sie sie auf eine weiche Unterlage.
4. Entfernen Sie die zwei Befestigungsschrauben (10) des Griffs (11) und montieren Sie ihn auf der anderen Seite.
5. Entfernen Sie die zwei Befestigungsschrauben (8) des unteren Scharniers (2) und nehmen Sie auch den unteren Scharnier (2) ab.
6. Entfernen Sie den linken Fuß (4) und versetzen Sie ihn an die andere Seite.
7. Versetzen Sie die Abdeckung der Öffnungen (7) an die rechte Seite.
8. Bevor Sie das untere Scharnier (2) wieder montieren, entfernen Sie den Scharnierstift (9) und drehen Sie das untere Scharnier (2) um. Montieren Sie dann das untere Scharnier an der linken Seite des unteren Rahmens mit den beiden Schrauben (8)
9. Befestigen Sie den Scharnierstift (9) am unteren Scharnier (2).
10. Montieren Sie die Tür wieder an ihren Platz und achten Sie darauf, dass sie auf dem Scharnier (2) sitzt
11. Halten Sie die Tür geschlossen und befestigen Sie dabei das obere Scharnier (5) am oberen Rahmen mit den Schrauben (1). Bitte denken Sie daran, die beiden Schrauben (1) erst dann festzuziehen, wenn die Tür mit der Arbeitsplatte bündig ist.
12. Bringen Sie die Abdeckung des oberen Scharniers (6) auf das Scharnier an.

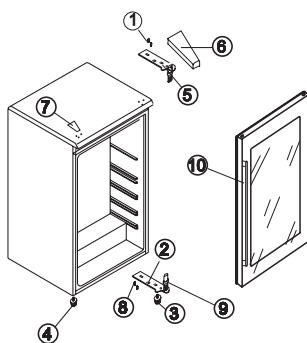


FIGURE 1

Türöffnung linke Seite

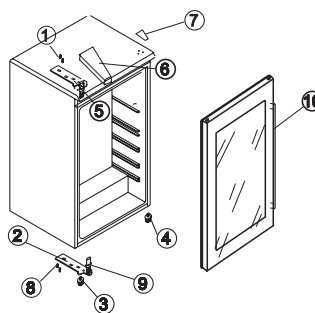


FIGURE 2

Türöffnung rechte Seite

WICHTIGE SICHERHEITSVORKEHRUNGEN

Lagern Sie keine Lebensmittel in Ihrem Weinkühler: Die Innentemperatur könnte nicht ausreichend kalt sein, um ein Verderben der Speisen zu verhindern. Als natürliche Folge der Kondensation könnte das Türglas in den warmen Sommermonaten oder bei hoher Luftfeuchtigkeit von außen beschlagen. Wischen Sie das Türglas einfach mit einem Tuch ab.

BEDIENUNGSANLEITUNG

Wir empfehlen Ihnen, den Weinkühler an einem Ort aufzustellen, dessen Raumtemperatur zwischen 22° und 25°C beträgt. Sollte die Umgebungstemperatur höher oder niedriger sein, kann dies zu Temperaturschwankungen im Geräteinneren führen.

Wenn die Innenbeleuchtung eingeschaltet bleibt, wird die Temperatur im Weinkühler höher sein.

Empfohlene Lagertemperaturen:

Rotwein:	15,5° - 18,5°C
Trockener Weißwein	10° - 15°C
Schaumwein/Sekt	7,2° - 9,5°C
Rosé	9,5° - 10,5°C

Die oben angegebenen Temperaturen können variieren, je nachdem, ob die Innenbeleuchtung ein oder aus ist, oder ob die Flaschen im oberen oder im mittleren/unteren Bereich des Kühlschranks gelagert sind.



BEDIENELEMENTE - TEMPERATUR EINSTELLEN

Stellen Sie die gewünschte Temperatur durch Drücken der Tasten \triangle bzw. ∇ ein. Wenn Sie diese Tasten zum ersten Mal drücken, erscheint im Display die Temperatur, die ursprünglich eingestellt wurde (werkseitig ist eine Temperatur von 10°C voreingestellt). Die Temperatur erhöht sich um je 1°C bei jedem Drücken der Taste \triangle bzw. senkt sich um je 1°C bei jedem Drücken der Taste ∇ .

Wenn Sie vorwiegend Rotwein lagern, stellen Sie die Temperatur mit den beiden Tasten zwischen 15,5°C und 18,5°C ein. Die Anzeige "RED" wird rot aufleuchten.

Wenn Sie vorwiegend Weißwein lagern, muss die Temperatur zwischen 10°C und 15°C eingestellt werden. Die Led-Anzeige "WHITE" leuchtet grün auf.

Wird vorwiegend Sekt oder Schaumwein gelagert, ist eine Temperatureinstellung zwischen 7,2°C und 9,5°C zu empfehlen. Die LED-Anzeige "SPARKLING" leuchtet bernsteinfarben auf.

Sie können die Temperaturanzeige in Fahrenheit oder Celsius wählen. Hierzu drücken Sie die Taste F/C. Fahrenheit-Grade werden rot angezeigt und erscheinen im Display mit °F; Celsius-Grade dagegen werden gelb angezeigt und erscheinen im Display mit der Angabe °C.

Die Innenbeleuchtung kann durch Drücken der Taste ON/OFF ein- bzw. ausgeschaltet werden.

Die Weinregale

Die Regale sind verchromt. Um Flaschen unterschiedlicher Größen lagern zu können, können die Regale durch Herausziehen aus den Schienen nach oben oder nach unten verlegt werden. Die Regale sind für die Aufnahme der größtmöglichen Anzahl von Flaschen ausgelegt.

Flaschenablage

Im unteren Bereich des Kühlschranks gibt es einen zusätzlichen Flaschenhalter, in dem bis zu 6 Weinflaschen gelagert werden können. Diese Ablage kann zu Reinigungszwecken aus dem Kühlschrank herausgenommen werden.

HINWEIS:

Wenn Sie den Weinkühler erstmalig oder nach längerem Stillstand in Betrieb nehmen, kann ein Temperaturunterschied von einigen Graden zwischen der eingestellten und der angezeigten Temperatur der LED-Lampen bestehen. Das ist völlig normal und hängt mit der nötigen Laufzeit zusammen, bis das Gerät seine volle Kühlleistung erreicht. Nach wenigen Stunden Betrieb wird sich alles wieder normalisieren.

Der Temperaturunterschied zwischen dem oberen und dem unteren Weinregal des Weinkühlers beträgt ca. 4-6°C. Wenn Sie den Weinkühler für die Lagerung von Rotweinen eingestellt haben, möchten jedoch eine Mischung aus Rot- und Weißweinen lagern, sollten Sie die Weißweinflaschen in die unteren Regale, die Rotweine dagegen in die oberen Regale einordnen.

WARTUNG UND PFLEGE

INNENLAMPE WECHSELN

Hinweis: Alle Teile, die Sie entfernen, müssen für die Montage der neuen Lampe aufbewahrt werden. Bevor Sie die Glühbirne wechseln, trennen Sie das Gerät von der Stromversorgung durch Ziehen des Netzsteckers oder Abschalten der Haussicherung. Die Missachtung dieser Maßnahme kann zu Stromschlag oder zu Personenschäden führen! Die Glühbirne sollte 10 Watt Leistung nicht übersteigen.

Reinigung

- Ziehen sie den Netzstecker und entfernen Sie alle Flaschen.
- Waschen Sie das Geräteinnere mit einer Lösung aus warmem Wasser und Natronlauge im Verhältnis von ca. 2 EL Natron in einem Liter Wasser.
- Reinigen Sie die Regale und den Flaschenahliter mit einem milden Reiniger.
- Das Außengehäuse des Weinkühlers braucht nur mit Wasser und einem milden Reinigungsmittel gewaschen zu werden.
- Da der Weinkühler so konzipiert ist, dass die Luftfeuchtigkeit im Innenraum festgehalten wird, kann sie u.U. am Boden kondensieren, so dass es ab und an auch nötig werden kann, den Boden des Innenraums zu wischen.

Wartung

- Stromausfall
Die meisten Stromausfälle werden innerhalb weniger Stunden behoben und beeinträchtigen nicht die Temperatur des Weinkühlers, wenn Sie das Öffnen der Tür auf ein Minimum reduzieren. Sollte einmal ein längerer Stromausfall vorkommen, sollten Sie Maßnahmen zum Schutz des Kühlschranks ergreifen.

Lange Betriebspause

Wenn Sie das Gerät für eine längere Zeit nicht benutzen, ziehen Sie den Netzstecker aus der Wandsteckdose, entfernen Sie alle Flaschen und reinigen Sie das Gerät. Lassen Sie die Tür leicht geöffnet, damit keine Feuchtigkeit, Schimmel oder Gerüche sich bilden können.

Weinkühler transportieren

- Entfernen Sie alle Flaschen
- Befestigen Sie mit Klebeband alle beweglichen Teile im Innenraum.
- Drehen Sie die Nivellierfüße bis zum Anschlag, um Schäden vorzubeugen.
- Halten Sie die Tür mit Klebeband geschlossen.
- Achten Sie darauf, dass der Weinkühler aufrecht transportiert wird.

Problemlösung

Sollten Ihnen beim Betrieb des Gerätes einmal Unregelmäßigkeiten auffallen, lesen Sie bitte zunächst die nachfolgenden Anweisungen sorgfältig durch, bevor Sie den Kundendienst anrufen. Viele Symptome lassen sich selbst beheben.

FEHLERSUCHE

STÖRUNG	MÖGLICHE URSACHE
Der Weinkühler funktioniert nicht.	Der Stecker ist nicht in der Steckdose. Die Sicherung ist herausgesprungen.
Die Temperatur im Weinkühler ist zu hoch.	Prüfen Sie die Temperatureinstellung. Die Außentemperatur kann evtl. eine höhere Einstellung erfordern. Die Tür wurde zu oft geöffnet. Die Tür ist nicht richtig geschlossen. Die Türdichtung liegt nicht richtig an. Das Gerät hat nicht die erforderlichen Abstände.
Der Kompressor schaltet sich häufig an und ab.	Die Raumtemperatur ist höher als normal. Eine größere Menge Flaschen wurde in den Kühlschrank gegeben. Die Tür wurde zu oft geöffnet. Die Tür ist nicht richtig geschlossen. Die Temperatur ist nicht richtig eingestellt. Die Türdichtung liegt nicht richtig an. Das Gerät hat nicht die erforderlichen Abstände.
Die Beleuchtung funktioniert nicht.	Die Sicherung ist herausgesprungen. Der Stecker ist nicht in der Steckdose. Die Glühbirne ist verbrannt (siehe Kapitel "Wartung" um sie zu ersetzen). Der Schalter steht auf OFF.

Vibrationen.	Prüfen Sie, ob der Weinkühler nivelliert ist.
Der Geräuschpegel erscheint zu hoch.	Die Geräusche werden durch das Fließen der Kühlflüssigkeit erzeugt. Das ist völlig normal. Gurgelgeräusche werden durch die Kühlflüssigkeit im Kühlkreislauf erzeugt, was ebenfalls normal ist. Die Expansion und Kontraktion der Innenwände kann u.U. Knack- oder Knallgeräusche verursachen. Der Weinkühler ist nicht waagrecht nivelliert.
Die Tür schließt nicht richtig	Der Weinkühler ist nicht waagrecht nivelliert. Der Türanschlag wurde gewechselt und die Tür nicht richtig montiert. Die Türdichtung ist verschmutzt. Die Regale liegen nicht richtig.

Technische Daten:

Für nähere Informationen vergleichen Sie bitte das Matrikelschild an der Rückseite des Gerätes. Wir behalten uns vor, technische Eigenschaften aus Gründen der Produktverbesserung ohne vorheriges Ankündigen zu verändern.

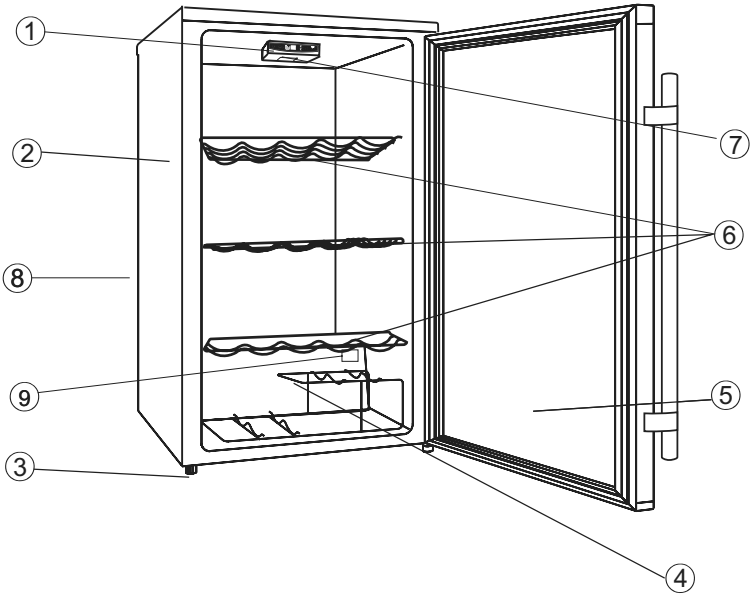
KUNDENDIENST

Im Servicefall wenden Sie sich bitte an unseren autorisierten Werkkundendienst. Bitte wählen Sie für Deutschland aus dem Festnetz die bundesweit einheitliche Service-Nummer 01805-62 55 62 (0,14 Euro/Min, Stand Januar 2007), die Sie automatisch mit dem zuständigen Werkkundendienst in Ihrer Nähe verbindet.

Für Österreich wählen Sie bitte aus dem Festnetz die Service-Nummer 0820-220 224 (0,15 Euro/Min, Stand Januar 2007).

Für die Schweiz wählen Sie die Service-Nummer 0848-780780.

COMPONENTI E CARATTERISTICHE



- 1. Pannello e display operativo**
- 2. Vano**
- 3. Gamba di livellamento**
- 4. Porta-vini**
- 5. Portello in vetro**
- 6. Ripiani cromati**
- 7. Luce interna**
- 8. Impianto elettrico (sul retro)**
- 9. Sensore temperatura**

Avvertenze importanti sulla sicurezza

- Leggere attentamente tutte le istruzioni prima di usare l'unità.
- Il frigorifero presenta rischi di intrappolamento e soffocamento per i bambini. La conservazione di apparecchiature elettriche inutilizzate può presentare pericoli anche se tali apparecchiature vengono lasciate incustodite per qualche giorno.
- **Prima di smaltire la cantinetta:**
rimuovere lo sportello senza estrarre i ripiani, per evitare che i bambini possano arrampicarsi all'interno.
- Non permettere a bambini di usare, giocare o entrare all'interno dell'unità.
- Non pulire mai l'unità con liquidi infiammabili. I fumi rilasciati da queste sostanze possono provocare incendi o esplosioni.
- Non conservare benzina o altri liquidi/vapori infiammabili vicino al frigorifero o ad altre unità simili. I fumi rilasciati a queste sostanze possono provocare incendi o esplosioni.

ISTRUZIONI DI INSTALLAZIONE

Prima di usare la cantinetta

- Rimuovere il materiale di imballaggio esterno ed interno comprese le imbottiture protettive applicate ai pannelli dello sportello.
- Verificare che siano presenti i seguenti componenti:
 - 3 ripiani estraibili
 - 1 porta-vini
 - 1 manuale d'uso
- Prima di collegare l'unità alla rete elettrica, collocarla in verticale e lasciarla in questa posizione per circa 2 ore, per limitare il rischio di malfunzionamenti dovuti alla movimentazione in fase di trasporto.
- Pulire le superfici interne con un panno morbido e acqua tiepida.

Installazione della cantinetta

- Installare l'unità su una superficie in grado di sostenere il peso dell'unità a pieno carico. Per allineare l'unità, regolare le gambe sul lato anteriore.
- Lasciare 5 pollici (12,5 cm) di spazio tra il retro e i lati dell'unità per consentire una corretta circolazione dell'aria di raffreddamento del compressore.
- Non installare l'unità alla luce diretta del sole o in prossimità di fonti di calore (stufe, termosifoni, radiatori, ecc.). La luce diretta del sole può danneggiare il rivestimento in acrilico, mentre la presenza di fonti di calore può aumentare i consumi elettrici. Temperature ambientali troppo basse possono influire sul funzionamento corretto dell'unità.
- Non collocare l'unità in aree troppo umide. Una percentuale di umidità eccessiva nell'aria accelera la formazione di ghiaccio sull'evaporatore.
- Collegare la spina elettrica del frigorifero a una presa a muro dedicata con un'ideale messa a terra. Non tagliare o rimuovere per nessun motivo il terzo polo (di terra) sul cavo di alimentazione. In caso di dubbi o domande sull'alimentazione o la messa a terra, rivolgersi direttamente a un elettricista certificato o un centro di assistenza autorizzato Candy.

Un uso improprio della spina con messa a terra può provocare scosse elettriche. Rivolgersi a un centro di assistenza autorizzato Candy per richiedere la sostituzione del cavo di alimentazione, se danneggiato.

AVVERTENZE IMPORTANTI

Non utilizzare la cantinetta per la conservazione di alimenti perché la temperatura potrebbe non essere sufficiente a prevenire possibili perdite. Se si nota la formazione di condensa sullo sportello in vetro, soprattutto nei mesi estivi o in presenza di valori di umidità molto elevati, è possibile rimuoverla semplicemente con un panno.

USO DELLA CANTINETTA

È generalmente consigliabile installare la cantinetta in aree in cui la temperatura ambientale è compresa tra 22 e 25°C. Una temperatura ambientale maggiore o inferiore a quella consigliata può provocare oscillazioni nella temperatura interna.

La luce interna può aumentare la temperatura interna della cantinetta, se lasciata accesa.

Temperature consigliate per la conservazione dei vini

Vini rossi: 15,5-18,5°C

Vini secchi/bianchi 10-15°C

Vini frizzanti 7,2-9,5°C

Vini rosé 9,5-10,5°C

Le temperature indicate possono variare leggermente, a seconda del fatto che la luce interna sia accesa o spenta o del fatto che le bottiglie vengano collocate nello scomparto inferiore/centrale.



USO DEI PULSANTI SUL PANNELLO DEL DISPLAY

Per impostare la temperatura desiderata, è sufficiente premere il pulsante o . Quando si premono i due pulsanti per la prima volta, il LED mostra la temperatura originale impostata in precedenza (la temperatura preimpostata in fabbrica è 50°F). Per incrementare la temperatura di 1°F o 1°C, premere una volta , per ridurla premere una volta .

Se si prevede di conservare soprattutto vini rossi, è necessario impostare una temperatura compresa tra 15,5 e 18,5°C e verificare che il LED vicino all'indicazione "ROSSO" diventi rosso.

Se si prevede di conservare soprattutto vini bianchi, è necessario impostare una temperatura compresa tra 10 e 15°C e verificare che la spia ROSSA accanto all'indicazione "BIANCO" diventi verde.

Se si prevede di conservare soprattutto vini frizzanti, è necessario impostare una temperatura compresa tra 7,2 e 9,5°C e verificare che il LED accanto all'indicazione "FRIZZANTE" diventi giallo.

Per passare dalla visualizzazione in gradi Fahrenheit a quella in centigradi, premere il pulsante F/C. L'indicatore dei gradi Fahrenheit viene visualizzato in rosso nella schermata F, mentre quello dei gradi centigradi viene visualizzato in giallo nella schermata C.

Per accendere o spegnere la luce interna, premere il pulsante con il simbolo ON/OFF.

Ripiani

I ripiani sono cromati. Per configurare lo spazio in base alle dimensioni delle bottiglie, è possibile spostare i ripiani verso l'alto o il basso, estraendoli semplicemente dalla guida. I ripiani sono studiati per contenere il numero massimo di bottiglie.

Porta - vini

Nella sezione inferiore è presente anche un porta-vini che può contenere un massimo di 6 bottiglie di vino e che può essere rimosso per la pulizia.

NOTA

Quando si utilizza la cantinetta la prima volta o lo si riaccende dopo un lungo periodo di inutilizzo, è possibile che ci sia una leggera differenza tra la temperatura selezionata e quella indicata dal LED. Questa condizione è normale e dipende dall'intervallo di tempo necessario per l'attivazione. La temperatura torna normale dopo qualche ora di funzionamento.

Inoltre, tra i ripiani superiori e inferiori c'è una differenza di temperatura di 4-6°C. Quindi, se la temperatura della cantinetta è stata impostata su quella consigliata per i vini rossi, la temperatura visualizzata è pari a 16°C e si desidera conservare sia vini bianchi che rossi, è necessario collocare i vini bianchi sui ripiani inferiori e quelli rossi su quelli superiori.

CURA E MANUTENZIONE

SOSTITUZIONE DELLA LAMPADINA

Nota : conservare tutti i componenti rimossi per poterli riutilizzare per rimontare la lampadina.

Prima di rimuovere la lampadina, scollegare il frigorifero dalla rete elettrica oppure disattivare la presa in cui è inserita la spina del frigorifero.

Il mancato rispetto di queste precauzioni può provocare scosse elettriche o lesioni personali.

La lampadina deve avere una potenza massima di 10 Watt.

Pulizia della cantinetta

- Scollegare il frigorifero per vini dalla rete elettrica e rimuovere le bottiglie.
- Lavare l'interno del frigorifero con acqua calda e una soluzione di bicarbonato di sodio. Diluire circa 2 cucchiaini da tavola di bicarbonato di sodio in un quarto di litro di acqua.
- Lavare i ripiani e i vassoi con un detergente neutro.
- Pulire l'esterno del frigorifero per vini con un detergente neutro e acqua calda.
- Ad intervalli regolari è necessario anche pulire la sezione inferiore dell'area di conservazione poiché il frigorifero per vini tende a trattenere l'umidità ed è possibile quindi che in questo punto si formi condensa.

Manutenzione della cantinetta

- Interruzione dell'alimentazione
Nella maggior parte dei casi l'alimentazione viene ripristinata nel giro di qualche ora, quindi un'eventuale interruzione dell'alimentazione non ha alcun effetto sulla temperatura del frigorifero, soprattutto se si evita di aprire lo sportello troppo spesso. Tuttavia, se si prevede che l'interruzione nell'alimentazione possa durare qualche ora, è necessario prendere adeguate misure per proteggere il contenuto.

Assenze

Se si prevede di non usare il frigorifero per vini per lunghi periodi di tempo, rimuovere tutte le bottiglie, scollegare il frigorifero dalla rete elettrica, pulirlo e lasciare lo sportello leggermente aperto per prevenire la formazione di condensa, muffa o odori sgradevoli.

Spostamento della cantinetta

- Rimuovere tutte le bottiglie.
- Fissare con del nastro tutte le parti interne del frigorifero che possono spostarsi.
- Riavvitare le viti di livellamento nella base per evitare di danneggiare il frigorifero.
- Chiudere gli sportelli e bloccarli con del nastro.
- Trasportare sempre il frigorifero in posizione verticale.

Risoluzione dei problemi

La maggior parte dei problemi del frigorifero per vini possono essere risolti direttamente senza rivolgersi a un centro di assistenza. Provare a leggere e a seguire le istruzioni riportate di seguito prima di rivolgersi a un centro di assistenza.

GUIDA ALLA RISOLUZIONE DEI PROBLEMI

PROBLEMA	CAUSA PROBABILE
Il frigorifero per vini non funziona	Il frigorifero non è collegato alla rete elettrica. Interruttore automatico scattato o fusibile bruciato.
La temperatura del frigorifero per vini non è abbastanza bassa.	Controllare la temperatura impostata. Aumentare l'impostazione se le condizioni dell'ambiente esterno lo richiedono. Lo sportello viene aperto troppo frequentemente. Lo sportello non è chiuso correttamente. La guarnizione dello sportello non garantisce una buona tenuta. Non è stato lasciato spazio sufficiente intorno al frigorifero.
Il compressore si accende e si spegne spesso	La temperatura ambiente è più alta del normale. Si è inserito un numero eccessivo di bottiglie di vino caldo nel frigorifero per vini. Lo sportello viene aperto troppo frequentemente. Lo sportello non è chiuso correttamente. La temperatura impostata non è corretta. La guarnizione dello sportello non garantisce una buona tenuta. Non è stato lasciato spazio sufficiente intorno al frigorifero.
La luce interna non funziona.	Interruttore automatico scattato o fusibile bruciato. Il frigorifero per vini è scollegato dalla rete elettrica. La lampadina si è bruciata. Per informazioni su come sostituire la lampadina, vedere la sezione relativa alla manutenzione. L'interruttore principale è in posizione "OFF".
Vibrazioni.	Verificare che il frigorifero sia allineato.
Il frigorifero per vini sembra molto rumoroso.	Il rumore può derivare dal flusso di refrigerante, che rappresenta una condizione normale. Al termine di ciascun ciclo è normalmente sentire un gorgoglio, che dipende dal flusso di refrigerante all'interno del frigorifero per vini. La contrazione e la dilatazione delle pareti interne può provocare rumori simili a scoppiettii. Il frigorifero per vini non è allineato.
Lo sportello non si chiude correttamente.	Il frigorifero per vini non è allineato. Gli sportelli sono stati invertiti, ma montati in modo errato. La guarnizione è secca. I ripiani non sono posizionati correttamente.

Dati tecnici

Per informazioni sui dati tecnici, vedere la targhetta sul retro del frigorifero per vini. I dati tecnici possono essere modificati senza preavviso a seguito delle migliorie apportate al prodotto.

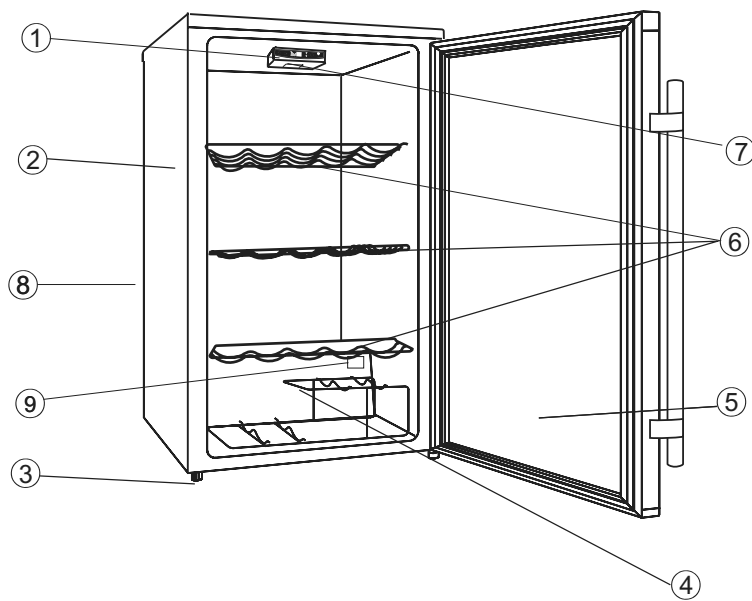
BRUKERVEILEDNING

En del av feilene som kan oppstå, kan du løse uten å måtte ta kontakt med service. Prøv forslagene nedenfor for å se om du kan løse problemene før du tilkaller service.

FEILSØKING

PROBLEM	MULIG ÅRSAK
Vinskapet virker ikke.	Overbelastningsbryteren er løst ut eller sikringen er gått. Er ikke koblet til.
Vinskapet er ikke kaldt nok.	Vinskapet har ikke god nok lufting. Dørpakningen er ikke skikkelig tett. Døren er ikke skikkelig lukket. Døren åpnes for ofte. Omgivelsene kan gjøre det nødvendig med høyere innstilling. Kontroller temperaturinnstillingen.
Kompressoren slår seg ofte av og på.	Vinskapet har ikke god nok lufting. Dørpakningen er ikke skikkelig tett. Temperaturinnstillingen er ikke riktig. Døren er ikke skikkelig lukket. Døren åpnes for ofte. Det er satt inn mange flasker med varm vin. Romtemperaturen er høyere enn normalt.
Lyset virker ikke.	Bryteren står på "OFF". LED-pæren er gått (se vedlikeholdsavsnittet for utskifting av pæren). Ledningen er ikke satt i. Overbelastningsbryteren er løst ut, eller sikringen er gått.

Driftspanel og display



1. Kabinett
2. Justeringsfot
3. Vinstativ
4. Glassdør
5. Hyller i krom
6. Innvendig lampe
7. Elektrisk kontrollenhet (på baksiden)
8. Temperatursensor

Les instruksjonene før du tar i bruk vinskabet .

Det forekommer fremdeles ulykker der barn stenges inne og kveles i apparater som ikke er i bruk. Slike apparater er fremdeles farlige – selv om de "bare skal stå i garasjen et par dager".

Før du kaster det gamle vinskabet:

Ta av døren og la hyllene sitte i for å forhindre at barn kan krype inn i skabet.

Ikke la barn betjene skabet, leke med det eller krype inn i det.

Ikke rengjør skapets deler med brennbare væsker. Dampen kan utgjøre brannfare eller forårsake eksplosjon.

Ikke oppbevar bensin eller andre brennbare damper og væsker i nærheten av dette eller andre apparater. Dampen kan forårsake brann eller eksplosjon.

INSTALLERINGSINSTRUKSER

Før bruk

Fjern innvendig og utvendig emballasje samt beskyttende skum på dørpanelet.

Kontroller at følgende deler er inkludert:

3 uttrekkbare hyller

1 vinstativ

1 brukerveiledning

La apparatet stå oppreist i 2 timer før det kobles til en stikkontakt. Dette vil redusere muligheten for feil i kjølesystemet etter transporten.

Rengjør innvendige flater med lunkent vann og en myk klut.

Installere vinskabet

Plasser skabet på et gulv som er sterkt nok til å tåle vekten av skabet når det er fullt. Juster føttene foran på skabet slik at det står i vater. La det være ca. 10 cm plass rundt skabet slik at det er nok luftsirkulasjon til å avkjøle kompressoren. Unngå at skabet plasseres i direkte sollys eller i nærheten av varmekilder (komfyr, varmeovn, radiator osv.). Direkte sollys kan skade lakken, og varmekilder kan føre til økt strømforbruk. Ekstremt kalde temperaturer kan gjøre at skabet ikke virker som det skal.

Unngå å plassere skabet i et fuktig rom. For høy luftfuktighet fører til at det dannes rim på kjøleelementet.

STELL OG VEDLIKEHOLD

SKIFTE LYSPÆREN

Merk: Når du skifter lyspære, må du ta vare på alle delene slik at de kan settes på plass igjen. Trekk ut støpselet eller slå av sikringen før du tar ut lyspæren slik at du ikke risikerer å få elektrisk støt eller bli skadet.

Lyspæren bør ikke være sterkere enn 10 W.

Rengjøre vinskabet

Trekk ut støpselet og ta ut flaskene. Vask skabet innvendig med varmt vann som er tilsatt natron. Bruk to spiseskjeer natron per liter vann.

Vask hyller og stativ med et mildt rengjøringsmiddel. Vask utsiden av skabet med varmt vann og et mildt rengjøringsmiddel. Av og til må du kanskje tørke ut av bunnen av skabet ettersom skabet er utformet for å holde på fuktighet og dette kan føre til kondens.

Vedlikehold av vinskabet

Strømbrudd

Feilen utbedres som oftest i løpet av et par timer og vil mest sannsynlig ikke virke inn på temperaturen i vinskabet hvis ikke døren åpnes for ofte. Hvis strømbruddet er langvarig, bør du oppbevare innholdet et annet sted.

Ferie

Når du er lenge borte, bør du ta ut alle flaskene, ta ut støpselet, rengjøre skabet og la døren stå på gløtt for å unngå at det dannes kondens, mugg eller ubehagelig lukt i skabet.

Flytte vinskabet

- Ta ut alle flaskene.
- Fest alle løse deler i skabet med teip.
- Skru opp føttene for å unngå at de blir skadet.
- Teip igjen døren.
- Pass på at vinskabet er i stående stilling under transporten.

Hvis du oppbevarer mest rødvin, anbefales det at du stiller temperaturen til mellom 15,5–18,5 °C ved å trykke på de to knappene over. LED-lampen ved siden av "RED" lyser rødt.

Hvis du lagrer mest hvitvin, bør temperaturen stilles til 10–15 °C, og LED-lampen ved siden av "WHITE" lyser grønt. Hvis du lagrer mest musserende viner, bør temperaturen stilles til 7,2–9,5 °C, og LED-lampen ved siden av "SPARKLING" lyser gult.

Du kan velge å vise gradene i Fahrenheit eller Celsius ved å trykke på knappen som er merket med F/C. Grader i Fahrenheit vises med rødt i displayet merket med F, og grader i Celsius vises med gult i displayet merket med C. Du kan slå lyset i vinskabet på eller av ved å trykke på knappen som er merket med ON/OFF.

Hyller

Hyllene er krombelagt. De kan tilpasses flasker i ulike størrelser ved at du flytter dem opp eller ned ved å trekke dem ut av sporene. Hyllene er utformet for oppbevaring av det maksimale antall flasker som er oppgitt.

Vinstativ

Det finnes også et vinstativ nederst i skapet hvor du kan oppbevare inntil seks vinflasker. Stativet kan tas ut ved rengjøring.

NB:

Første gang du bruker vinskabet, eller hvis du slår det på etter at det har vært avslått i lengre tid, kan det være en liten forskjell mellom temperaturen du har valgt, og den som er angitt i LCD-displayet. Dette skyldes tiden vinskabet har vært slått av og er helt normalt. Når vinskabet er vært i gang et par timer, virker temperaturinnstillingen som normalt igjen.

Temperaturen i topp- og bunnhyllene varierer med 4–6 grader. Hvis du har stilt inn skapet for rødvin og 16 °C og du ønsker å ha både rødvin og hvitvin i skapet, bør du plassere hvitvinsflaskene i de nederste hyllene og rødvinen i de øverste.

Skapet må kobles til en jordet stikkontakt. Jordingskabelen må ikke kuttes eller fjernes. Spørsmål om strøm og jording bør rettes til en sertifisert elektriker eller et autorisert Kelvinator-servicesenter.

Uriktig bruk av den jordede ledningen kan forårsake elektrisk støt. Hvis ledningen blir skadet, må den byttes ut av et autorisert Kelvinator-servicesenter.

VIKTIGE FORHOLDSREGLER

Ikke oppbevar mat i vinskabet da temperaturen kanskje ikke er lav nok til å forhindre at maten blir dårlig. På grunn av kondens som oppstår naturlig om sommeren eller ved høy luftfuktighet, kan det dannes dugg på utsiden av glassdøren som lett kan tørkes bort.

BETJENE VINSKAPET

Vi anbefaler at du plasserer vinskabet på et sted hvor temperaturen er mellom 22–25 grader. Ved høyere eller lavere romtemperatur kan temperaturen i skabet svinge.

Hvis lyset i skabet står på hele tiden, vil temperaturen stige.

Anbefalte temperaturer for kjøling av vin

Rødvin: 15,5–18,5 °C

Tørre/hvite viner 10–15 °C

Musserende vin 7,2–9,5 °C

Rosévin 9,5–10,5 °C

Temperaturene ovenfor kan variere avhengig om lyset i skabet står på eller om flaskene er plassert i midten eller nederst i skabet.



BRUKE KNAPPENE PÅ DISPLAYPANELET:

Du kan stille temperaturen ved å trykke på knappen eller

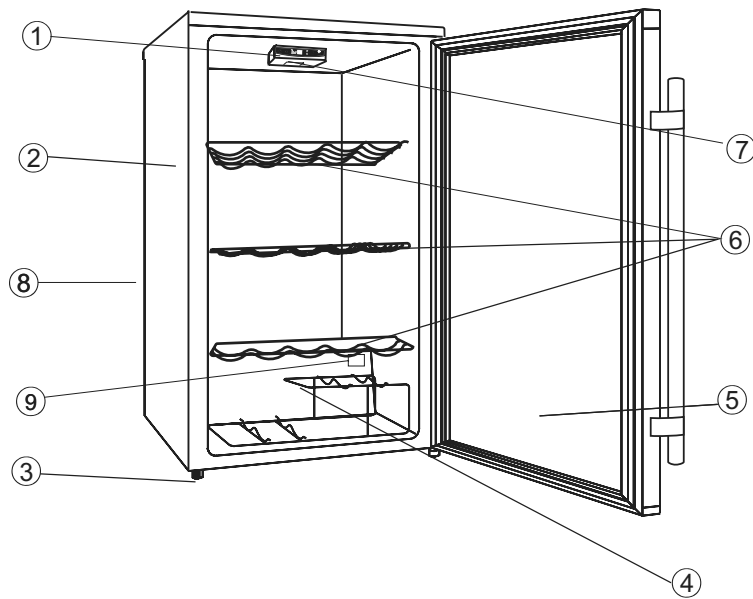
. Første gang du trykker på disse to knappene, vil displayet vise de opprinnelige temperaturene som ble innstilt på et tidligere tidspunkt (den forhåndsinnstilte temperaturen er 50 °F (10 °C). Temperaturen du ønsker å angi, vil øke med 1 grad når du trykker én gang på, og synke med 1 grad når du trykker på.

Vibrasjoner	Kontroller at vinskabet står i vater.
Vinskabet bråker mye.	Vinskabet står ikke i vater. Når skapets innvendige vegger trekker seg sammen og utvides, vil det avgi litt lyd. Etter kjølesyklusen høres kanskje en klukkelyd som forårsakes av kjølevæsken i vinskabet. Raslelyden kan komme fra kjølevæsken, som er helt normalt.
Døren lukkes ikke skikkelig.	Hyllene er ikke riktig plassert. Dørpakningen er skitten. Døren er snudd og er ikke riktig festet. Vinskabet står ikke i vater.

Tekniske spesifikasjoner:

Hvis du ønsker detaljerte spesifikasjoner, kan du se merkeplaten som er plassert på baksiden av vinskabet.

PLAATS VAN DE ONDERDELEN



1. Afleesscherf en bedieningspaneel
2. Kast
3. Stelvoetje
4. Wijnrek
5. Glazen deur
6. Verchroomde legplanken
7. Verlichting
8. Elektrisch regelsysteem (aan de achterkant)
9. Temperatuursensor

Belangrijke veiligheidsvoorschriften

- Lees de handleiding voordat u dit product gebruikt.
- Voorkom dat kinderen zich per ongeluk kunnen opsluiten en daardoor stikken. Dat gevaar bestaat bij afgedankte of achtergelaten koelkasten... zelfs als ze "maar een paar dagen in de schuur staan."
- **Handel als volgt voordat u de wijnkoeler afdankt:** verwijder de deur, maar laat de legplanken zitten zodat kinderen zich niet gemakkelijk in de kast kunnen verbergen.
- Laat nooit kinderen dit apparaat gebruiken, er mee spelen of er inkruipen.
- Maak de onderdelen van dit apparaat nooit schoon met brandbare stoffen. Vluchtige dampen kunnen brand of een explosie veroorzaken.
- Bewaar nooit benzine of een andere brandbare damp of vloeistof in de buurt van dit apparaat of van een ander apparaat. Vluchtige dampen kunnen brand of een explosie veroorzaken.

INSTALLATIE-INSTRUCTIES

Vorbereidingen voor gebruik van de wijnkoeler

- Verwijder al het verpakkingsmateriaal dat in en om de koeler zit, inclusief het piepschuim dat de deurpanelen beschermt.
- Controleer of de volgende onderdelen zijn meegeleverd:
 - 3 uitschuifbare legplanken
 - 1 wijnrek
 - 1 gebruiksaanwijzing
- Laat dit apparaat circa 2 uur lang rechtop staan voordat u de stekker in het stopcontact steekt. Dit verkleint de kans op storingen in het koelsysteem vanwege schokken tijdens het transport.

- Maak met lauw water en een zachte doek de binnenkant schoon.

De wijnkoeler installeren

- Zet dit apparaat op een vloer met voldoende draagkracht voor een volledig gevuld apparaat. Plaats dit apparaat horizontaal met behulp van de stelvoetjes aan de voorkant.
- Laat aan de achterkant en aan de zijkanten van het apparaat minimaal 13 cm ruimte vrij zodat er voldoende luchtcirculatie is om de compressor te koelen.
- Zet dit apparaat nooit in de volle zon of naast een warmtebron (fornuis, verwarming, radiator, enz.). Zonlicht kan de acrylcoating aantasten en warmtebronnen kunnen het energieverbruik verhogen. Bij extreem lage omgevingstemperaturen werkt het apparaat mogelijk ook niet goed.
- Zet dit apparaat niet in een vochtige omgeving. Bij een overmaat aan vocht in de lucht kan er ijsafzetting op de verdamper ontstaan.
- Sluit het apparaat direct aan op een geaard stopcontact (gebruik geen verlengsnoer of verdeeldoos). Omzeil nooit de aardaansluiting om de geaarde stekker op het lichtnet aan te sluiten. Neem bij vragen over elektriciteit en aarding contact op met een erkende elektromonteur of met de klantenservice van de leverancier.

Een verkeerd aangesloten aardstekker kan een elektrische schok veroorzaken. Is het netsnoer beschadigd, neem dan contact op met de klantenservice van de leverancier.

BELANGRIJKE WAARSCHUWING

Bewaar geen voedsel in de wijnkoeler want de temperatuur in de kast is niet laag genoeg om bederf te voorkomen. Vanwege natuurlijke condensatie kan in de zomermaanden of bij hoge luchtvochtigheid vocht neerslaan op de buitenkant van de glazen deur. U kunt dit gewoon afvegen.

GEBRUIK VAN UW WIJNKOELER

We raden u aan om de wijnkoeler te installeren op een plaats met een omgevingstemperatuur tussen 22 en 25 graden Celsius. Is de omgevingstemperatuur hoger of lager dan de aanbevolen temperatuur, dan kan de temperatuur in de kast fluctueren.

Als u de verlichting in de kast aan laat, verhoogt dat de temperatuur in de wijnkoeler.

Aanbevolen temperaturen voor het koelen van wijn

Rode wijn:	15,5-18,5 °C
Droge/witte wijn	10-15 °C
Mousserende wijn	7,2-9,5 °C
Rosé	9,5-10,5 °C

De hierboven genoemde temperaturen kunnen variëren afhankelijk van het inschakelen van de verlichting en op welke hoogte de flessen in de kast worden bewaard.



DE KNOPPEN OP HET BEDIENINGSPANEEL GEBRUIKEN:

U stelt de gewenste temperatuur in door op knop ▲ of ▼ te drukken. De eerste keer dat u op één van beide knoppen drukt, toont het LED-schermpje welke temperatuur op dit moment is ingesteld (bij levering ingesteld op 10 °C / 50 °F).

De ingestelde temperatuur stijgt elke keer dat u op ▲ drukt met 1 °C of 1 °F, en daalt met 1 °C of 1 °F elke keer dat u op ▼ drukt.

Wilt u voornamelijk rode wijn koelen, stel de temperatuur dan met de hierboven genoemde knoppen in tussen 15,5 en 18,5 °C waarbij het LED-lampje voor de tekst "RED" (ROOD) eveneens rood oplicht.

Wilt u voornamelijk witte wijn koelen, stel de temperatuur dan in tussen 10 en 15 °C waarbij het LED-lampje voor de tekst "WHITE" (WIT) groen oplicht.

Wilt u voornamelijk mousserende wijn koelen, stel de temperatuur dan in tussen 7,2 en 9,5 °C waarbij het LED-lampje voor de tekst "SPARKLING" (MOUSSEREND) oranje oplicht.

U kunt omschakelen van graden Fahrenheit naar graden Celsius en terug door op de °F/°C-knop te drukken. Als de temperatuur in graden Fahrenheit wordt weergegeven licht het lampje bij °F rood op, en als de temperatuur in graden Celsius wordt weergegeven licht het lampje bij °C geel op.

Druk op de ON/OFF-knop om de verlichting in of uit te schakelen.

Legplanken

De legplanken zijn verchroomd. U kunt ze in hoogte instellen en naar voren trekken om ze aan het formaat van de flessen aan te passen. Met deze legplanken beschikt u over maximale bergruimte voor uw flessen.

Wijnrek

Onderin de kast is een extra wijnrek geplaatst voor maximaal 6 flessen wijn. U kunt dit rek verwijderen om schoon te maken.

LET OP:

Als u de wijnkoeler voor het eerst inschakelt of opnieuw inschakelt na een lange periode van uitschakeling, kan de temperatuur die op het LED-afleesscherf wordt weergegeven enkele graden afwijken van de temperatuur die u heeft ingesteld. Dat is normaal na een langdurige periode van uitschakeling. Na enkele uren koelen zal de wijnkoeler weer normaal werken.

Ook is er zo'n 4 tot 6 °C verschil in temperatuur tussen de bovenste en onderste legplanken van de wijnkoeler. Als u dus de wijnkoeler heeft ingesteld op rode wijn en de temperatuur geeft 16 °C aan, en u wilt zowel witte als rode wijn in de koeler plaatsen, leg de witte wijn dan onderin de koeler en de rode wijn op de bovenste planken.

VERZORGING EN ONDERHOUD

HET LAMPJE VERWISSELEN

Let op: Bewaar bij het verwisselen van de lamp alle verwijderde onderdelen. Trek voordat u het lampje verwisselt eerst de stekker uit het stopcontact of schakel in uw meterkast de elektrische groep uit waar de koeler op is aangesloten. Doet u dit niet, dan kunt u een schok krijgen en ernstig gewond raken. Het vermogen van het lampje mag niet hoger zijn dan 10 watt.

De wijnkoeler schoonmaken

- Trek de stekker van de wijnkoeler uit het stopcontact en verwijder de flessen.
- Reinig de binnenkant met wat soda opgelost in warm water. De verhouding is ongeveer 2 eetlepels soda per liter water.
- Maak de legplanken en roosters schoon met een mild sopje.
- Reinig de buitenkant van de wijnkoeler met een mild sopje en warm water.
- Het kan nodig zijn om de bodem van de kast regelmatig droog te vegen. De luchtvochtigheid in de wijnkoeler wordt namelijk met opzet op peil gehouden, waardoor er zich condenswater op de bodem kan verzamelen.

De wijnkoeler onderhouden

- Stroomuitval
Doorgaans duurt een stroomuitval niet langer dan hooguit enkele uren, en zolang u de deur niet opent heeft dat weinig gevolgen voor de temperatuur in uw wijnkoeler. Valt de stroom langer uit, neem dan maatregelen om de inhoud van uw koeler te beschermen.

Tijdens vakanties

Bent u langere tijd afwezig, verwijder dan alle flessen; trek de stekker van de wijnkoeler uit het stopcontact, maak hem schoon en laat de deur iets openstaan om de vorming van condens, schimmels en nare geurtjes te voorkomen.

De wijnkoeler verplaatsen

- Verwijder alle flessen.
- Plak alle losse onderdelen in de wijnkoeler vast met plakband.
- Schroef de stelvoetjes helemaal naar binnen zodat ze niet afbreken.
- Plak de deur dicht met plakband.
- Vervoer de wijnkoeler altijd rechtop.

Storingen verhelpen

De meest voorkomende problemen met de wijnkoeler kunt u gemakkelijk zelf oplossen. Zie het overzicht hieronder voordat u een servicemonteur belt.

STORINGEN VERHELPE

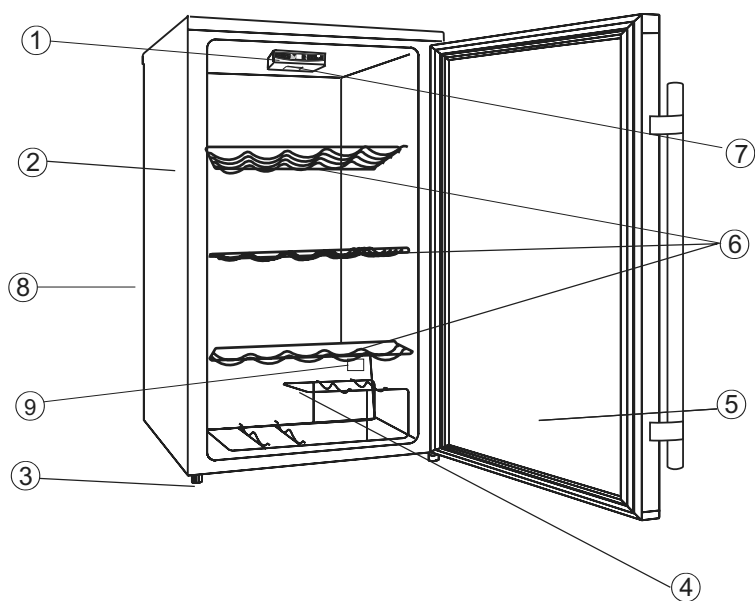
PROBLEEM	MOGELIJKE OORZAAK
De wijnkoeler werkt niet.	De stekker zit niet in het stopcontact. Zekering doorgebrand of aardlekschakelaar geactiveerd.
De wijnkoeler wordt niet koud genoeg.	Controleer de ingestelde temperatuur. Bepaalde omgevingen vereisen een extra lage instelling. De deur is te vaak geopend. De deur zit niet goed dicht. Het deurrubber sluit niet goed aan. Onvoldoende vrije ruimte rondom de wijnkoeler.

<p>continu aan en uit.</p>	<p>hoger dan normaal. Er zijn veel warme flessen tegelijk in de wijnkoeler gelegd. De deur is te vaak geopend. De deur zit niet goed dicht. Verkeerde temperatuur ingesteld. Het deurrubber sluit niet goed aan. Onvoldoende vrije ruimte rondom de wijnkoeler.</p>
<p>Het lampje doet het niet.</p>	<p>Zekering doorgebrand of aardlekschakelaar geactiveerd. De stekker van de wijnkoeler zit niet in het stopcontact. Het lampje is kapot (zie 'onderhoud' voor het verwisselen van het lampje). De lamschakelaar staat op "OFF" (UIT).</p>

De wijnkoeler trilt.	Controleer of de wijnkoeler waterpas staat.
De wijnkoeler maakt lawaai.	<p>Het stromen van het koelmiddel kan de koeler laten ratelen, dit is normaal.</p> <p>Op het einde van elke koelcyclus kan het stromen van het koelmiddel een gorgelend geluid maken.</p> <p>Het krimpen en uitzetten van de binnenwanden kan plop- en kraakgeluiden veroorzaken.</p> <p>De wijnkoeler staat niet waterpas.</p>
De deur sluit niet goed.	<p>De wijnkoeler staat niet waterpas.</p> <p>Bij het omkeren van de draairichting van de deur is er iets verkeerd gemonteerd.</p> <p>Het deurrubber is vuil.</p> <p>De legplanken zitten in de weg.</p>

Technische specificaties:

Zie voor de technische gegevens het typeplaatje op de achterkant van de wijnkoeler. Wijzigingen vanwege technische verbeteringen aan het product voorbehouden.

Budowa i właściwości chłodziarki

1. Panel sterowania
2. Obudowa
3. Regulowana nóżka
4. Stojak na wino
5. Szklane drzwi
6. Chromowane półki
7. Wewnętrzne oświetlenie
8. Układ sterujący chłodziarką (na tylnej ścianie)
9. Czujnik temperatury

Ważne informacje dotyczące bezpieczeństwa

- Przez rozpoczęciem korzystania z chłodziarki uważnie przeczytaj niniejszą instrukcję obsługi. Zachowaj instrukcję w łatwo dostępnym miejscu, aby móc powrócić do niej w razie wątpliwości.
- Pamiętaj, że może zdarzyć się, że dziecko bawiąc się przypadkiem zatrzaśnie się w lodówce - może się wówczas udusić. Nawet niedziałające lodówki i chłodziarki pozostawione bez nadzoru mogą nadal stanowić niebezpieczeństwo.
- **Dlatego zanim wyrzucisz swoją starą lodówkę** upewnij się, że zdjąłeś drzwiczki i zostawiłeś półki na miejscu, aby uniemożliwić dziecku dostanie się do środka.
- Nigdy nie pozwalaj dzieciom na obsługiwanie lodówki, bawienie się nią czy wchodzenie do środka.
- Nigdy nie czyść lodówki łatwopalnymi substancjami. Ich opary mogą stać się przyczyną pożaru lub wybuchu.
- Nie przechowuj ani nie używaj benzyny i innych łatwopalnych gazów i płynów w pobliżu tego urządzenia. Ich opary mogą stać się przyczyną pożaru lub wybuchu.

INSTRUKCJA PODŁĄCZENIA

Przed pierwszym użyciem

- Usuń zewnętrzne i wewnętrzne opakowania i zabezpieczenia, w tym także ochronną piankę z drzwiczek chłodziarki.
- Upewnij się, że wraz z chłodziarką w komplecie otrzymałeś także 3 wysuwane półki i 1 stojak na wino.
- Przed podłączeniem urządzenia do źródła prądu ustaw chłodziarkę w miejscu docelowym i pozostaw tak na około 2 godziny. Pozwoli to uniknąć ewentualnych nieprawidłowości w działaniu, które mogłyby wystąpić w wyniku przenoszenia chłodziarki podczas transportu i przeładunku.
- Przemyj wewnętrzne powierzchnie chłodziarki miękką szmatką zmoczoną w letniej wodzie.

Podłączenie chłodziarki

- Umieść chłodziarkę na podłożu, które wytrzyma jej obciążenie przy pełnym załadunku. Wyrównaj poziom dopasowując wysokość regulowanych nóżek z przodu.
- Pozostaw 12 do 15 cm wolnej przestrzeni wokół ścianek chłodziarki, co zapewni cyrkulację powietrza i odpowiednie chłodzenie kompresora.
- Nie stawiaj chłodziarki bezpośrednio na słońcu ani w pobliżu źródeł ciepła (piec, grzejnik, kaloryfer itp). Promienie słoneczne mogą

zniszczyć akrylową powierzchnię chłodziarki, natomiast źródła ciepła mogą prowadzić do zwiększonego zużycia energii elektrycznej. Także ekstremalnie niskie temperatury mogą sprawić, że urządzenie nie będzie działać prawidłowo.

- Staraj się nie stawiać chłodziarki w pomieszczeniach o dużej wilgotności – będzie to prowadziło do szybkiego osadzania się szronu na parowniku.

- Chłodziarka powinna być prawidłowo podłączona do specjalnie przygotowanego gniazdka z uziemieniem. Wszelkie pytania dotyczące prawidłowego podłączenia chłodziarki i uziemienia należy kierować do elektryków z odpowiednimi uprawnieniami lub do autoryzowanych serwisów urządzeń marki Candy.

Uwaga: Niewłaściwe obchodzenie się z wtyczką z uziemieniem może doprowadzić do porażenia prądem elektrycznym. Jeśli kabel zasilający jest uszkodzony, skontaktuj się z autoryzowanym serwisem Candy w celu wymiany kabla na nowy.

Przekładanie drzwi

Niniejsza chłodziarka do wina może otwierać się zarówno na prawą, jak i lewą stronę. Standardowo dostarczamy nasze chłodziarki z rączką z lewej strony. Jeśli chciałbyś zmienić sposób otwierania się chłodziarki, przełóż drzwiczki postępując zgodnie z poniższą instrukcją:

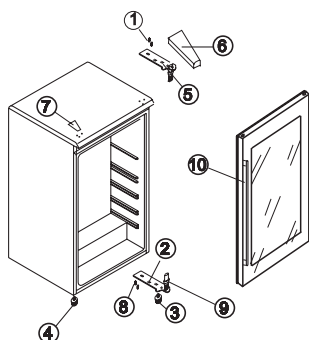
UWAGA:

Przed przystąpieniem do przełożenia drzwiczek odłącz chłodziarkę od źródła prądu.

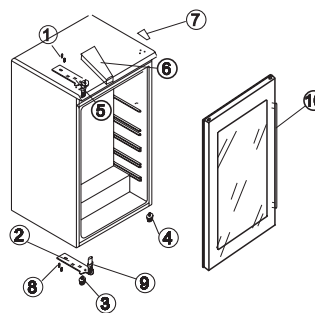
Wszystkie demontowane elementy starannie zachowaj, a następnie zamocuj z powrotem zgodnie z instrukcją.

W niniejszej chłodziarce zawiasy zostały zamontowane z prawej strony. Aby przenieść je na drugą stronę, postępuj zgodnie z poniższą instrukcją:

1. Najpierw zdejmij pokrywę (6) górnego zawiasu.
2. Odkręć 2 śruby (1), którymi górny zawias jest przykręcony do ramy chłodziarki. Zdejmij zawias (5).
3. Zdejmij drzwi i połóż je na uprzednio przygotowanej powierzchni wyłożonej materiałem, który zabezpieczy drzwiczki przed porysowaniem.
4. Odkręć 2 śruby (10), którymi przykręcona jest rączka (11). Zamocuj rączkę z drugiej strony drzwiczek.
5. Odkręć 2 śruby (8), którymi przykręcony jest dolny zawias (2). Zdejmij dolny zawias (2).
6. Zdemontuj lewą przednią nogę (4) i zamontuj ją z prawej strony.
7. Wyjmij zaślepkę (7) z dziury nawierconej pod górny zawias z lewej strony i zamocuj ją z prawej strony.
8. Przed zamontowaniem dolnego zawiasu (2), wyjmij z niego bolec i odwróć zawias (2). Następnie przykręć dolny zawias (2) z lewej strony chłodziarki 2 śrubami (8).
9. Włóż bolec (9) w dolny zawias (2).
10. Zainstaluj drzwiczki upewniając się, że są pewnie osadzone na dolnym zawiasie (2).
11. Przytrzymując zamknięte drzwi przykręć górny zawias (5) po lewej stronie ramy chłodziarki dwiema śrubami (1). Pamiętaj, aby nie przykręcać śrub do końca dopóki nie upewnisz się, że krawędź drzwiczek i górna płaszczyzna chłodziarki są na tym samym poziomie.
12. Zamocuj pokrywę (6) górnego zawiasu na zawiasie.



Drzwi otwierane od lewej strony



Drzwi otwierane od prawej strony

WAŻNE INFORMACJE

W chłodziarce do wina nie należy przechowywać jedzenia – temperatura panująca wewnątrz chłodziarki może nie uchronić żywności przed psuciem się. W letnie miesiące, a także w rejonach o wysokiej wilgotności powietrza, na szklanych drzwiach chłodziarki może od zewnątrz osadzać się wilgoć. W takiej sytuacji wystarczy przetrzeć drzwi szmatką.

OBSŁUGA CHŁODZIARKI

Zaleca się ustawienie chłodziarki w miejscu, gdzie temperatura otoczenia będzie wynosiła około 22-25°C. Jeśli temperatura otoczenia będzie niższa lub wyższa niż zalecana, zachowanie stałej, niezmiennej temperatury wewnątrz chłodziarki może być niemożliwe.

Jeśli światło w chłodziarce będzie włączone, temperatura wewnątrz chłodziarki podniesie się.

Zalecane przedziały temperatur dla chłodzenia poszczególnych rodzajów wina:

Wina czerwone:	15,5-18,5°C
Wina wytrawne/białe:	10-15°C
Wina musujące:	7,2-9,5°C
Wina rose:	9,5-10,5°C

Powyżej podane temperatury mogą wymagać korekty w zależności od tego, czy światło w chłodziarce jest włączone czy nie i w której części chłodziarki (górnej-środkowej-dolnej) butelki zostaną umieszczone.



JAK POSŁUGIWAĆ SIĘ PRZYCISKAMI NA PANELU STEROWANIA:

Możesz ustawić pożądaną temperaturę przyciskając ▲ lub ▼ . Gdy naciśniesz te przyciski po raz pierwszy, na wyświetlaczu pojawi się temperatura ustawiona poprzednio (fabrycznie wszystkie chłodziarki są ustawione na 50°F). Pojedyncze przyciśnięcie przycisku ▲ spowoduje wzrost temperatury o 1°F lub 1°C, podczas gdy pojedyncze przyciśnięcie przycisku ▼ spowoduje obniżenie temperatury o 1°F lub 1°C.

Jeśli przechowujesz w chłodziarce głównie czerwone wina, powinieneś naciskać przyciski aż do ustawienia temperatury w przedziale 15,5 -18,5°C i podświetlenia się kontrolki przy napisie „RED” na czerwono.

Jeśli przechowujesz głównie wina białe, powinieneś ustawić temperaturę w przedziale 10-15°C – kontrolka przy napisie „WHITE” powinna zostać podświetlona na zielono.

Jeśli przechowujesz przede wszystkim wina musujące, powinieneś ustawić temperaturę w przedziale 7,2-9,5°C – wówczas kontrolka przy napisie „SPARKLING” zostanie podświetlona na pomarańczowo.

Możesz zmienić tryb wyświetlania temperatury ze stopni Fahrenheita na stopnie Celsjusza naciskając przycisk podpisany „F/C”. Wówczas wskaźnik stopni Fahrenheita (oznaczony literą F) zostanie podświetlony na czerwono a wskaźnik stopni Celsjusza (oznaczony literą C) na żółto.

Oświetlenie w lodówce możesz włączać i wyłączać naciskając przycisk oznaczony napisem „ON/OFF”.

Półki

Półki na butelki są chromowane. Można na nich przechowywać butelki o różnej wielkości/średnicy – w celu dostosowania odległości między półkami do rozmiarów butelek należy wysunąć półki z prowadnic i przełożyć je niżej lub wyżej. Półki zostały zaprojektowane tak, aby chłodziarka mogła pomieścić maksymalną liczb butelek.

Stojak na wino

W dolnej części chłodziarki znajduje się dodatkowy stojak na wino mogący pomieścić 6 butelek. Można go wyjmować w czasie czyszczenia chłodziarki.

UWAGA:

Jeśli włączasz chłodziarkę do wina po raz pierwszy lub też włączasz ją po dłuższym czasie nieużywania, możesz zauważyć różnice rzędu kilku stopni między temperaturą ustawianą przez Ciebie a faktycznie wyświetlaną na ekranie LED. Jest to zupełnie normalne zjawisko wynikające z czasu nagrzewania się panelu sterowania. Po kilku godzinach pracy chłodziarki wyświetlacz powinien pracować prawidłowo.

Pamiętaj, że różnica temperatury między dolnymi i górnymi półkami może wynosić 4-6°C.

Zatem, jeśli ustawiłeś temperaturę dla win czerwonych na 16°C, a teraz chciałbyś włożyć do chłodziarki także wina białe, pamiętaj, aby wina białe umieszczać na dolnych, a czerwone na górnych półkach.

DBAŁOŚĆ I OBSŁUGA CHŁODZIARKI

Wymiana żarówki

Uwaga: Wszystkie demontowane elementy zachowaj a następnie zamocuj z powrotem zgodnie z instrukcją.

Przed wymianą żarówki odłącz chłodziarkę od źródła prądu.

Nieodłączenie prądu może doprowadzić do porażenia prądem elektrycznym lub obrażeń ciała.

Żarówka powinna mieć maksymalnie 10 W.

Czyszczenie chłodziarki do wina

- Wyjmij wtyczkę chłodziarki z gniazdka elektrycznego i wyjmij ze środka wszystkie butelki.
- Umyj wnętrze chłodziarki ciepłą wodą z roztworem sody oczyszczonej, otrzymanym w wyniku rozpuszczenia 2 łyżek stołowych sody w 1 litrze wody.
- Umyj półki i prowadnice roztworem łagodnego detergentu.
- Umyj chłodziarkę z zewnątrz łagodnym detergentem i ciepłą wodą.
- Zaleca się również regularne przecieranie powierzchni w dolnej części chłodziarki, ponieważ w wyniku zatrzymywania wilgoci przez chłodziarkę, w jej dolnych partiach może następować skraplanie pary wodnej.

Zabezpieczanie chłodziarki do wina

- Przerwa w dostawie prądu

Większość awarii prądu jest naprawiana w ciągu kilku godzin i jeśli ograniczy się otwieranie drzwi chłodziarki w czasie ich trwania, temperatura wewnątrz chłodziarki nie powinna się zmienić.

Jeśli przerwa w dostawie prądu będzie trwała dłużej, powinno się odpowiednio zabezpieczyć zawartość chłodziarki.

Wyjazdy wakacyjne

Przed dłuższym wyjazdem zabezpiecz chłodziarkę: wyjmij z niej wszystkie butelki, wyjmij wtyczkę z kontaktu, umyj chłodziarkę i pozostaw lekko uchylone drzwiczki. Uchroni to chłodziarkę przed mogącymi się pojawić wewnątrz skropleniemi pary wodnej, pleśnią oraz nieprzyjemnymi zapachami.

Transportowanie chłodziarki

- Wyjmij wszystkie butelki.
- Odpowiednio zabezpiecz wszystkie luźne elementy wewnątrz chłodziarki, które mogłyby się przemieszczać w czasie transportu.
- Wkręć śruby poziomujące w podstawę chłodziarki w celu uniknięcia zniszczeń.
- Zamknij dokładnie drzwiczki chłodziarki i zabezpiecz je taśmą.
- Upewnij się, że podczas transportu chłodziarka będzie znajdowała się w pozycji pionowej.

Rozwiązywanie problemów

Wiele problemów związanych z funkcjonowaniem chłodziarki do wina możesz rozwiązać samodzielnie, unikając kosztów związanych z wzywaniem serwisu. Przejrzyj poniższą tabelę i wypróbuj zaproponowane rozwiązania, zanim zadzwonisz po pomoc.

WSKAZÓWKI

PROBLEM

MOŻLIWA

PRZYCZYNA

Chłodziarka do wina nie działa.

Nie jest podłączona do prądu.

Przeskoczył automatyczny wyłącznik lub przepalił się bezpiecznik.

W chłodziarce nie jest wystarczająco chłodno.

Sprawdź ustawione parametry chłodzenia.

Zewnętrzne warunki klimatyczne mogą wymagać proporcjonalnego zwiększenia podanych wcześniej wartości.

Drzwi chłodziarki są zbyt często otwierane.

Drzwi są niedokładnie zamknięte.

Uszczelka w drzwiczkach jest nieszczelna.

Chłodziarka do wina stoi zbyt blisko ścian, nie ma

wystarczającej wymiany powietrza.

Kompresor się często włącza i wyłącza.

Temperatura w pomieszczeniu jest wyższa niż zazwyczaj.

Ostatnio włożono do chłodziarki większą ilość ciepłego wina.

Drzwi są zbyt często otwierane.

Drzwi są niedokładnie zamknięte.

Uszczelka w drzwiczkach jest nieszczelna.

Chłodziarka do wina stoi zbyt blisko ścian, nie ma

wystarczającej wymiany powietrza.

Wewnętrzne oświetlenie nie działa.

Przeskoczył automatyczny wyłącznik lub przepalił się bezpiecznik.

Chłodziarka nie jest podłączona do prądu.

Żarówka się przepaliła (sprawdź w części dotyczącej obsługi, jak ją wymienić)

Włącznik lampy jest w pozycji „OFF”.

Wibracje

Upewnij się, czy chłodziarka jest wypoziomowana.

Wydaje się, że chłodziarka pracuje zbyt głośno.

Odgłosy klekotania mogą być wynikiem przepływu czynnika chłodzącego i są w pełni normalne.

Na koniec każdego cyklu chłodniczego można usłyszeć bulgotanie powodowane przez przepływający czynnik chłodzący.

Kurczenie się i rozszerzanie ścianek wewnętrznych chłodziarki może wywoływać trzaski.

Chłodziarka do wina jest niewypoziomowana.

Drzwi nie chcą się dokładnie zamknąć.

Chłodziarka jest niewypoziomowana.

Drzwiczki chłodziarki zostały przełożone, ale nie są poprawnie zainstalowane.

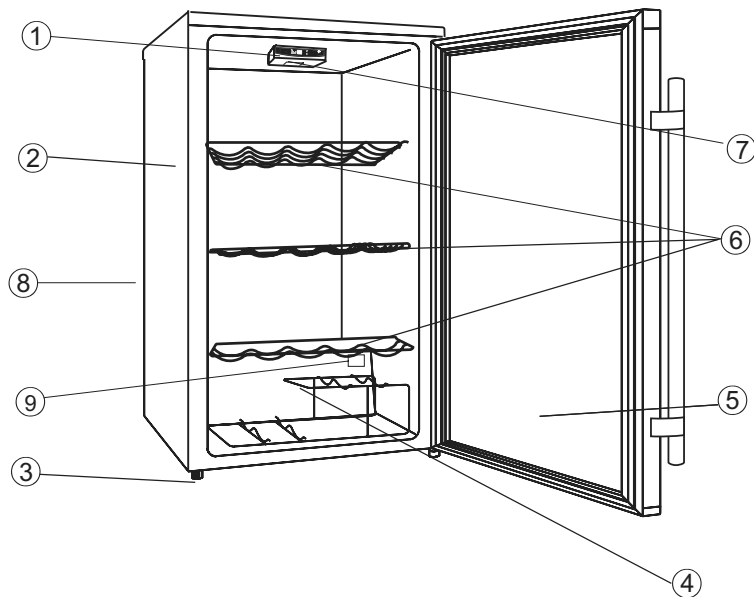
Uszczelka drzwiczek jest zabrudzona.

Półki zostały niepoprawnie włożone w prowadnice.

Specyfikacja techniczna:

Szczegółowe dane techniczne zostały umieszczone na tabliczce znamionowej znajdującej się na tylnej ścianie chłodziarki do wina. Mogą się one zmienić bez wcześniejszego uprzedzenia w związku z udoskonalaniem produktu.

Části a funkce



1. Ovládací panel s displejem
2. Skříň
3. Nastavitelná nožka
4. Nosič láhví
5. Skleněná dvířka
6. Chromované drátěné police
7. Vnitřní osvětlení
8. Elektrické vybavení (na zadní straně)
9. Senzor teploty



Důležité bezpečnostní pokyny

- Před použitím spotřebiče si přečtěte všechny pokyny.
- Trvá nebezpečí pro děti. Staré spotřebiče jsou stále nebezpečné... i když jsou pouze „jen tak položené v garáži několik dní.“
- **Dříve než vyřadíte starý spotřebič z provozu:** demontujte dveře, nechejte uvnitř police, tak, aby se děti nemohly dostat do spotřebiče.
- Nedovolte dětem obsluhovat, hrát si, nebo vstoupit do spotřebiče.
- Nikdy nečistěte spotřebič hořlavými prostředky. Vzniklé páry mohou tvořit riziko exploze.
- Neskladujte ani nepoužívejte benzín ani jiné hořlavé tekutiny uvnitř tohoto spotřebiče. Vzniklé páry by měly za následek riziko vzniku požáru nebo exploze.

Pokyny k instalaci

Před použitím vinotéky

- Odstraňte všechny obalové materiály, včetně ochranné fólie na panelu dveří.
- Zkontrolujte, zda balení obsahuje následující části:
 - 1 nosič na víno
 - 1 návod k obsluze
 - 3 výsuvné police
- Před zapojením spotřebiče k elektrické síti ho nechejte stát alespoň 2 hodiny. Tím snížíte možnost poruchy chladicího systému způsobené během manipulace při přepravě.
- Vyčistěte vnitřní prostor vinotéky vlažnou vodou pomocí jemného hadříku.

Instalace vinotéky

- Umístěte spotřebič na dostatečně pevnou podlahu, která unese vinotéku včetně jejího obsahu. Pro vyrovnání spotřebiče použijte nožičky v přední části.
- Ponechte 12 cm volného prostoru mezi zadní a bočními stěnami spotřebiče a okolními stěnami abyste zajistili správnou cirkulaci vzduchu nezbytnou pro chlazení kompresoru.
- Spotřebič umístěte mimo přímé sluneční záření a dostatečně daleko od zdrojů tepla (sporák, ohřívač, radiátor, apod.). Přímé sluneční záření může mít vliv na akrylový povrch a zdroje tepla mohou zvýšit spotřebu elektrického proudu. Extrémně nízká okolní teplota má také nepříznivý vliv na provoz spotřebiče.
- Neinstalujte spotřebič do vlhkých prostorů. Nadměrná vlhkost ve vzduchu způsobí rychlé formování námrazy na výparníku.

- Připojte spotřebič k samostatné, správně nainstalované uzemněné elektrické zásuvce. Za žádných okolností neodstraňujte třetí (uzemňovací) kolík přívodního kabelu. V případě jakýchkoliv dotazů týkajících se se napájení a uzemnění se obraťte na autorizované servisní středisko.

Nesprávné použití uzemněné zástrčky může způsobit úraz elektrickým proudem. Pokud je přívodní kabel poškozen, musí být vyměněn v autorizovaném servisním

Důležité bezpečnostní pokyny

Ve vinotéce neskladujte potraviny, protože teplota uvnitř vinotéky není dostatečná na ochranu potravin. V letních měsících nebo v oblastech s vysokou vlhkostí může v důsledku kondenzace dojít k nahromadění vlhkosti na skleněných dveřích. Stačí ji pouze utřít.

Obsluha vinotéky

Doporučujeme instalovat vinotéku na místě, kde je okolní teplota mezi 22-25 stupni Celsia. Pokud je teplota pod anebo nad doporučenou teplotu, tyto podmínky mohou způsobit kolísání vnitřní teploty vinotéky. Pokud ponecháte zapnuté vnitřní osvětlení, teplota se zvýší.

Doporučené teploty pro chlazení vína	
Červená vína:	15.5-18.5°C
Suchá/bílá vína	10-15°C
Šumivá vína	7.2-9.5°C
Růžová vína	9.5-10.5°C

Výše uvedené teploty mohou kolísat v závislosti od toho, zda je vnitřní osvětlení zapnuté nebo vypnuté nebo zda jsou láhve umístěny ve spodní/střední nebo spodní části.



Použití tlačítek na panelu:

Požadovanou teplotu můžete nastavit pomocí tlačítek \triangle nebo ∇ . Po prvním stisknutí obou tlačítek najednou, LED displej zobrazí originální dříve nastavenou teplotu (nastavení teploty je z výroby nastaveno na 50°F). Nastavovaná teplota se zvyšuje po 1°F nebo 1°C po jednom stisknutí \triangle , nebo snižuje o 1°F nebo 1°C pokud stisknete tlačítko ∇ .

Pokud skladujete většinu červeného vína, teplota by měla být nastavena v rozmezí 15.5 do 18.5°C a LED indikátor při „RED“ bude svítit červenou barvou.

Pokud skladujete většinu bílého vína, nastavte teplotu v rozmezí 10 do 15°C a LED indikátor při „WHITE“ bude svítit zelenou barvou. Pokud skladujete většinu šumivého vína, nastavte teplotu v rozmezí 7.2 do 9.5°C a LED indikátor při „SPARKLING“ bude svítit jantarovou barvou.

Zobrazení teploty můžete nastavit v stupních Fahrenheita nebo Celsia stisknutím tlačítka označeného F/C. Indikátor stupňů Fahrenheita se zobrazí v červené barvě s označením °F a stupně Celsia se zobrazí v žluté barvě s označením °C.

Osvětlení vinotéky můžete zapnout nebo vypnout stisknutím tlačítka ON/OFF.

Police

Police jsou chromované. Pro umístění láhví různých velikostí můžete police nastavit nahoru nebo dolů vysunutím z kolejniček. Police jsou navrženy tak, aby pojaly maximální počet lahví.

Nosič lahví

Ve spodní části je dodatečný nosič lahví, kde můžete uložit 6 lahví vína. Tento nosič můžete vyjmout za účelem čištění.

Poznámka:

Při prvním použití vinotéky nebo po restartování, když nebyla zapnuta delší dobu může být nepatrný rozdíl mezi vámi nastavenou teplotou a teplotou zobrazenou na LED displeji. Toto je normální jev a je to z důvodu doby mimo provoz. Po několika hodinách provozu se vše vrátí do normálu.

Mezi horní a spodní polici vinotéky je teplotní rozdíl 4 - 6°C. Proto, pokud nastavíte vinotéku na chlazení červeného vína a teplota je 16°C a chcete vložit mix bílého a červeného vína, umístěte bílé víno na spodní police a láhve s červeným vínem na horní police.

Údržba

Výměna žárovky

Poznámka: Odložte si všechny části při výměně žárovky.

Před vyjmutím žárovky odpojte vinotéku od elektrické sítě. Porucha při výměně může způsobit úraz elektrickým proudem nebo poranění.

Čištění vinotéky

- Odpojte vinotéku a vyjměte láhve.
- Vnitřek omyjte teplou vodou a roztokem jedlé sody. Roztok připravte rozpuštěním přibližně 2 polévkových lžic jedlé sody a čtvrt litru vody.
- Omyjte police a kolejničky jemným čistícím prostředkem.
- Vnější povrch vinotéky můžete čistit jemným čistícím prostředkem a teplou vodou.
- Je také vhodné čistit dno vinotéky, protože vinotéka je navržena na zachování vlhkosti a zde se může shromažďovat kondenzovaná voda.

Údržba vinotéky

- Výpadek elektrického proudu
Většina výpadků proudu je odstraněna do několik hodin a nemá vliv na teplotu uvnitř vinotéky, pokud ji nebudete často otevírat. Pokud bude výpadek proudu trvat delší dobu, učiňte správné kroky pro ochranu obsahu.

Dlouhodobé nepoužívání

Během delší nepřítomnosti vyjměte všechny láhve; odpojte vinotéku, vyčistěte ji a nechte dveře mírně otevřené, abyste zabránili možnému formování vlhkosti, plísní nebo nepříjemných zápachů.

Přemísťování vinotéky

- Vyjměte všechny láhve.
- Bezpečně přeplepte všechny volné části uvnitř vinotéky.
- Zašroubujte nastavovací šrouby do základny, abyste zabránili poškození.
- Přeplepte uzavřené dveře.
- Během převozu zajistěte svislou polohu vinotéky.

Odstranění případných problémů

Standardní problémy můžete odstranit jednoduše, čímž ušetříte zbytečné náklady za případnou návštěvu servisního technika. Dříve, než se obrátíte na servisní středisko, zkuste problém vyřešit podle níže uvedených doporučení.

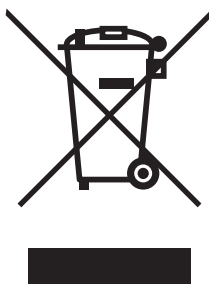
PROBLÉM	MOŽNÁ PŘÍČINA
Vinotéka nefunguje.	Vypnutý jistič nebo přepálená pojistka. Není připojena.
Vinotéka nechladí dostatečně.	Vinotéka nemá správný volný prostor. Těsnění dveří netěsní správně. Nesprávně zavřené dveře. Časté otevírání dveří. Externí prostředí vyžaduje vyšší nastavení. Zkontrolujte nastavení teploty.
Kompresor se často vypíná a zapíná.	Vinotéka nemá správný volný prostor. Těsnění dveří netěsní správně. Nastavení teploty není správné. Dveře nejsou zavřené úplně. Časté otevírání dveří. Do vinotéky jste vložili velké množství teplého vína. Teplota místnosti je vyšší než obvykle.
Osvětlení nefunguje.	Přepínač je v pozici „OFF“. Vypálená žárovka (viz část „Výměna žárovky“). Vinotéka je odpojena. Vypnutý domovní jistič nebo přepálená pojistka.
Vibrace.	Zajistěte vyrovnání vinotéky.

Vinotéka vydává nadměrný hluk.	Vinotéka není vyrovnaná. Stahování a roztahování vnitřních stěn může způsobit praskání. Když končí cyklus, můžete slyšet bublavé zvuky způsobené prouděním chladicí náplně vinotéky. Drnčení může vycházet z chladicí náplně, což je normální.
Dveře se nezavírají správně.	Police jsou mimo správné pozice. Těsnění je znečištěné. Změnili jste směr otevírání dveří a nenainstalovali správně. Vinotéka není vyrovnaná.

Technické údaje:

Pro podrobnější informace viz výrobní štítek na zadní straně vinotéky. Právo na změnu technických údajů vyhrazené bez upozornění z důvodu zdokonalování výrobků.

Informace pro uživatele k likvidaci elektrických a elektronických zařízení (domácnosti)



Tento symbol na produktech anebo v průvodních dokumentech znamená, že použité elektrické a elektronické výrobky nesmí být přidány do běžného komunálního odpadu.

Ke správné likvidaci, obnově a recyklaci doručte tyto výrobky na určená sběrná místa, kde budou přijata zdarma. Alternativně v některých zemích můžete vrátit své výrobky místnímu prodejci při koupi ekvivalentního nového produktu.

Správnou likvidací tohoto produktu pomůžete zachovat cenné přírodní zdroje a napomáháte prevenci potenciálních negativních dopadů na životní prostředí a lidské zdraví, což by mohly být důsledky nesprávné likvidace odpadů. Další podrobnosti si vyžádejte od místního úřadu nebo nejbližšího sběrného místa.

Při nesprávné likvidaci tohoto druhu odpadu mohou být v souladu s národními předpisy uděleny pokuty.

Pro podnikové uživatele v zemích Evropské unie

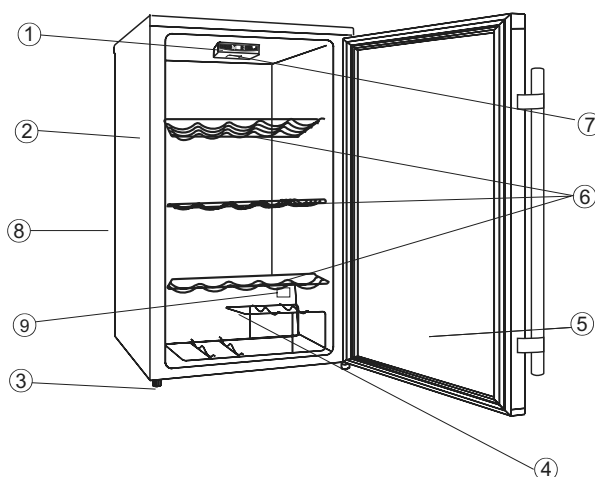
Chcete-li likvidovat elektrická a elektronická zařízení, vyžádejte si potřebné informace od svého prodejce nebo dodavatele.

Informace k likvidaci v ostatních zemích mimo Evropskou unii

Tento symbol je platný jen v Evropské unii.

Chcete-li tento výrobek zlikvidovat, vyžádejte si potřebné informace o správném způsobu likvidace od místních úřadů nebo od svého prodejce.

P R I COMPONENTE I CARACTERISTICI



1. Panou de afi are i utilizare
2. Carcas
3. Picioare reglabile
4. Raft pentru sticle de vin
5. U din sticl
6. Rafturi cromate
7. Bec interior
8. Control electronic (în partea din spate)
9. Senzor temperatur

M suri importante de siguran

- Citi i cu aten ie toate instruc iunile înainte de a utiliza aparatul.
- Pericolul de blocare a copiilor i pericolul de sufocare nu sunt probleme din trecut. Aparatele abandonate sau aruncate sunt periculoase, chiar dac le depozita i în garaj pentru câteva zile.
- **Înainte de a arunca un aparat vechi:**
 - Scoate i u a, l sa i rafturile fixate la locul lor, astfel încât copiii s nu poat intra cu u urin .
 - Nu l sa i copii s utilizeze aparatul, s se joace sau s intre în interiorul aparatului.
 - Nu cur a i aparatul cu lichide inflamabile. Aburii pot produce incendii sau explozii.
 - Nu depozita i produse inflamabile în apropierea acestuia sau a altor aparate. Vaporii pot produce incendii sau explozii.

INSTRUC IUNI DE INSTALARE

Înainte de a utiliza aparatul

- Îndep rta i ambalajul exterior i interior, inclusiv spuma protectoare de pe u .
- Verifica i dac exist urm toarele p r i componente:
 - 3 rafturi deta abile
 - 1 suport pentru sticle de vin
 - 1 manual de utilizare
- Înainte de a conecta aparatul la sursa de alimentare, l sa i-l în pozi ie vertical timp de 2 ore. Se va reduce posibilitatea de producere a unor defec iuni în sistemul de r cire în urma transport rii.
- Cur a i suprafa a interioar cu ap cald utilizând un material moale.

Instalarea aparatului

- Așezați aparatul pe o suprafață plată suficient de rezistentă să suporte aparatul încălzit la capacitate maximă. Pentru a așeza la nivel aparatul, ajustați picioarele din partea frontală.
- Lăsați un spațiu de aproximativ 12 cm între partea din spate a aparatului pentru a permite circulația aerului ce ajută la răcirea compresorului.
- Așezați aparatul la distanță de acțiunea directă a soarelui sau a surselor de căldură (cuptoare, radiatoare, etc.). Acțiunea directă a soarelui poate afecta învelișul acrilic iar sursele de căldură pot duce la creșterea consumului de energie. Temperaturile scăzute pot duce la o funcționare necorespunzătoare a aparatului.
- Evitați așezarea aparatului în spații cu mult umezeală. Umezeala excesivă din aer va duce la formarea rapidă a gheții pe evaporator.
- Introduceți techerul cablului de alimentare într-o priză prevăzută cu împământare. Nu îndepărtați cea de-a treia prelungire a techerului destinat împământării. Pentru eventuale întrebări privind alimentarea și împământarea contactați un electrician calificat sau un centru de service autorizat Kelvinator Products.

Utilizarea necorespunzătoare a techerului prevăzută cu împământare poate duce la electrocutare. În cazul în care cablul de alimentare este avariata, acesta trebuie să fie înlocuit de către un centru de service autorizat Kelvinator Products.

Inversarea sensului de deschidere a uii aparatului

Ușa acestui aparat poate fi deschisă din partea stângă sau din partea dreaptă. Aparatul este prevăzută cu deschidere spre dreapta. Dacă doriți să modificați deschiderea uii, respectați următoarele instrucțiuni.

OBSERVAȚIE:

Înainte de a inversa sensul de deschidere a uii, scoateți techerul cablului de alimentare din priză.

Toate părțile componente îndepărtate trebuie să fie păstrate pentru a reînstala ușa.

Acest aparat este prevăzută cu balamale pe partea dreaptă. Dacă doriți să modificați direcția de deschidere, respectați instrucțiunile de mai jos:

1. Îndepărtați în primul rând capacul balamalei de sus (6).
2. Îndepărtați cele două șuruburi (1) ce susțin balamaua superioară (5) (partea laterală dreaptă) de cadrul. Scoateți balamaua superioară (5).
3. Ridicați ușa și așezați-o pe o suprafață moale pentru a nu o zgâria.
4. Îndepărtați cele două șuruburi (10) ce susțin mânerul (11) (pe partea dreaptă a cadrului). Fixați mânerul pe partea stângă a cadrului.
5. Îndepărtați cele două șuruburi (8) ce susțin balamaua inferioară (2) și îndepărtați balamaua.
6. Îndepărtați piciorul frontal (4) și fixați-l în partea dreaptă.
7. Îndepărtați capacul orificiilor (7) din partea stângă.
8. Înainte de a fixa balamaua inferioară (2), îndepărtați bolurile (9) și inversați direcția balamalei inferioare (2). Instalați balamaua inferioară (2) în partea stângă a cadrului cu ajutorul celor două șuruburi (8).
9. Introduceți bolurile (9) la balamalele inferioare (2).
10. Fixați ușa pe balamaua inferioară (2).
11. În timp ce ușa este în poziție închisă, fixați balamaua superioară (5) în partea de sus a cadrului pe stânga cu ajutorul celor două șuruburi (1). Nu strângeți complet șuruburile (1) până când ușa nu este așezată la nivel cu partea superioară.
12. Instalați capacul orificiilor (6) de deasupra balamalei superioare.

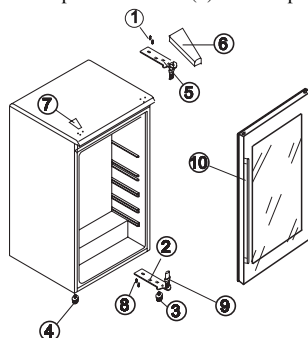


FIGURA 1
Ușa cu deschidere spre dreapta.

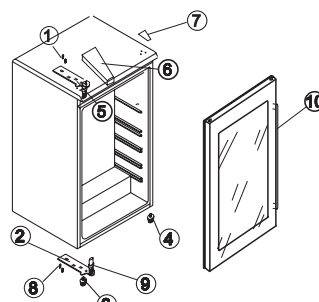


FIGURA 2
Ușa cu deschidere spre stânga.

M SURI IMPORTANTE DE SIGURAN

Nu depozita i alimente în aparat, deoarece temperatura interioar nu este suficient de mic pentru a preveni alterarea acestora. Ca un rezultat natural al condensării, în lunile clduroase de var sau în zone cu mult umiditate, pe exteriorul uii din sticl se poate acumula condensare. terge i-o.

UTILIZAREA APARATULUI

Este recomandabil s instala i aparatul într-un spa iu unde temperatura ambiental se afl între 22-25°C. În cazul în care temperatura se afl sub sau peste intervalul indicat, temperatura interioar poate fluctua.

Dac lumina interioar este l sat aprins, temperatura din interiorul aparatului va cre te.

Temperaturi indicate pentru r cirea vinului

Vin ro u: 15,5 – 18,5°C

Vin sec/alb: 10-15°C

Vin spumant: 7,2-9,5°C

Vin roze: 9,5-10,5°C

Temperaturile de mai sus pot fluctua dac becul interior este l sat aprins sau este stins sau dac sticlele sunt situate în sec iunea joas /medie sau joas .



CUM S UTILIZA I BUTOANELE DE PE AFI AJ:

Pute i seta temperatura dup cum dori i cu ajutorul butonului sau . Atunci când ap sa i butoanele pentru prima dat , pe afi aj va apare temperatura setat anterior (temperatura presetat din fabric este de 50°F).

Temperatura pe care dori i s o seta i va cre te cu 1°F sau 1°C dac ap sa i o dat butonul i va scade cu 1°F sau 1°C dac ap sa i o dat butonul .

Dac depozita i mai mult vin ro u, temperatura setat cu ajutorul butoanelor de mai sus trebuie s fie între 15,5 – 18,5°C iar ledul de lâng indica ia „RED” (ro u) trebuie s fie aprins în culoarea ro ie.

Dac depozita i mai mult vin alb, temperatura setat cu ajutorul butoanelor de mai sus trebuie s fie între 10-15°C iar ledul de lâng indica ia „WHITE” (alb) trebuie s fie aprins în culoarea verde.

Dac depozita i mai mult vin spumant, temperatura setat cu ajutorul butoanelor de mai sus trebuie s fie între 7,2-9,5°C iar ledul de lâng indica ia „SPARKLING” (spumant) trebuie s fie aprins în culoarea galben .

Pute i selecta setarea pentru afi area temperaturii între Fahrenheit sau Celsius prin ap sarea butonului marcat cu F/C. Indicatorul pentru gradele Fahrenheit va apare colorat în ro u pe afi aj marcat cu °F iar indicatorul pentru gradele Celsius va apare în culoarea galben pe afi aj marcat cu °C.

Pute i aprinde sau stinge lumina interioar cu ajutorul butonului marcat cu simbolul ON/OFF (pornit/oprit).

Rafturi

Rafturile sunt cromate. Pentru a a eza sticle de diferite dimensiuni, acestea pot fi deplasate în sus sau în jos. Acestea sunt create pentru a suporta o cantitate maxim de sticle.

Suportul pentru sticle

Exist un suport suplimentar în partea de jos a aparatului unde pute i depozita maxim 6 sticle de vin. Acest suport poate fi scos pentru a fi cur at.

OBSERVA IE:

Atunci când utiliza i aparatul pentru prima dat sau îl reporni i dup o perioad îndelungat , poate exista o diferen de câteva grade între temperatura selectat i cea indicat pe afi aj. Acest lucru este normal i apare datorit duratei de activare.

Exist de asemenea o diferen de 4 pân la 6°C între rafturile de sus i cele de jos. Dac a i setat aparatul doar pentru vin ro u iar pe afi aj apare temperatura de 16°C i dori i s introduce i i vin alb, va trebui s a eza i vinul alb în partea de jos iar cel ro u în partea de sus.

CURĂRE ÎN TRE INERE

SCHIMBAREA BECULUI

Observa ie: Toate p r ile componente trebuie s fie p strate pentru a fi utilizate la înlocuirea becului. Înainte de a îndep rta becul, întrerupe i alimentarea cu energie a aparatului. Dacă nu face i acest lucru, v pute i electrocuta. Becul nu trebuie s dep easc 10W.

Cur area aparatului

- Scoate i techerul cablului de alimentare din priz i îndep rta i sticlele de vin.
- Sp la i interiorul aparatului cu o solu ie de apă i bicarbonat de sodiu. Solu ia trebuie s fie preparat din 2 linguri de bicarbonat de sodiu la un sfert de litru de apă .
- Sp la i rafturile i t vile cu o solu ie de detergent.
- Partea exterioră a aparatului trebuie s fie cur at cu detergent i apă cald .
- Este necesar s cur a i periodic i partea de jos a zonei de depozitare, deoarece aparatul este creat s re în umezeala iar condensarea se colectează în această zon .

Între inerea aparatului

- Nu există alimentare cu energie

Majoritatea întreruperilor de alimentare sunt remediate în câteva ore i nu vor afecta temperatura din aparat dacă reduce i numărul de deschideri ale u ii. Dacă alimentarea este întrerupt pentru o perioadă îndelungată de timp, va trebui s respecte i pa ii de mai jos pentru a proteja con inutul aparatului.

Dacă pleca i în concediu

În timpul absen elor îndelungate, îndep rta i sticlele; scoate i techerul cablului de alimentare al aparatului din priz , cur a i-l i l sa i u a pu în deschis pentru a evita formarea condensului, mucegaiului sau a mirosurilor nepl cute.

Deplasarea aparatului

- Îndep rta i toate sticlele.
- Fixa i cu band adeziv toate componentele mobile din interior.
- Roti i uruburile de nivelare în sus pentru a evita avarierea.
- Lipi i u a închis cu band adeziv .
- Asigura i-v de faptul că aparatul rămâne în pozi ie verticală în timpul transportului.

Probleme tehnice

Pute i rezolva cu u rin unele dintre problemele comune f r a mai apela la un centru de service autorizat. Încearca i sugestiile de mai jos pentru a încerca s rezolva i problema.

GHIDUL PROBLEMELOR TEHNICE

PROBLEM	CAUZ POSIBIL
Aparatul nu func ionează .	Nu este conectat la sursa de alimentare cu energie. Circuitul de întrerupere este activat sau siguran ele sunt arse.
Aparatul nu este destul de rece.	Verifica i setarea temperaturii. Mediul extern solicit o setare mai mare a temperaturii. U a este deschis prea des. U a nu este închis complet. Garnitura u ii nu etan ează corespunz tor. Aparatul nu are spa iu suficient de r cire.
Compresorul porne te i se opre te prea des.	Temperatura din înc pere este mai mare decât de obicei. A fost ad ugat o cantitate mare de vin cald. U a este deschis prea des. U a nu se închide corespunz tor. Garnitura u ii nu etan ează corespunz tor. Aparatul nu are spa iu suficient de r cire.
Lumina nu se aprinde.	Circuitul de întrerupere este activat. Aparatul este scos din priz . Becul este ars (vezi sec iunea de între inere pentru procedura de înlocuire). Butonul se află în pozi ia „OFF” (oprit).

Exist vibrații.	Verificați dacă aparatul este așezat la nivel.
Aparatul produce prea mult zgomot.	Zgomotul poate fi produs de curgerea agentului refrigerant, ceea ce este un lucru normal. La finalul fiecărei etape, se pot auzi unele zgomote cauzate de curgerea agentului refrigerant. Contracția sau dilatarea pereților aparatului poate produce unele zgomote. Aparatul nu este așezat la nivel.
Ușa nu se închide corespunzător.	Aparatul nu este așezat la nivel. Ușa inversată nu a fost instalată corespunzător. Garnitura este murdară. Rafturile nu sunt poziționate corespunzător.

Specificatii tehnice:

Pentru specificații detaliate, vezi planul cu date tehnice din spatele aparatului. Specificațiile pot fi modificate fără notificare prealabilă datorită îmbunătățirii produsului.

* Versiunea în limba engleză este de referință.

Čestitamo!

Z nakupom našega stroja ste pokazali, da ne iščete kompromisnih rešitev in da ste kupec, ki hoče le najboljše.

Z velikim zadovoljstvom vam ponujamo nov pomivalni stroj, rezultat dolgoletnih raziskovanj in izkušenj, ki smo jih pridobili na tržišču v neposrednem stiku s kupci. Izbrali ste kakovost, vzdržljivost in zanimivo obliko.

Razen stroja, ki ste ga izbrali, pa imamo na izbiro še pralne in sušilne stroje, prostostoječe štedilnike, kuhalne plošče, mikrovalovne pečice, vgradne pečice in štedilnike ter hladilnike in zamrzovalnike. Pri svojem prodajalcu zahtevajte najnovejši Candyjev katalog.

Uporaba tega novega pomivalnega stroja je enostavna, vendar pa vas prosimo, da skrbno preberete NAVODILO ZA UPORABO in ga v celoti upoštevate. V navodilu so navedene vse pomembne informacije v zvezi s priključitvijo, vzdrževanjem in uporabo stroja.

Priporočamo, da skrbno shranite to knjižico z navodili, da jo boste lahko prebrali tudi kdaj kasneje, če bo potrebno.

GARANCIJA

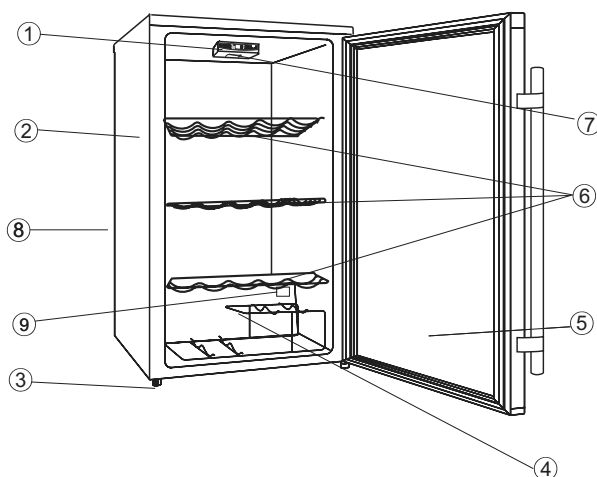
Ob nakupu aparata vam mora prodajalec izdati izpolnjen in potrjen garancijski list.

Na osnovi potrjenega garancijskega lista in računa imate v roku dveh let od dneva nakupa pravico do brezplačnega servisiranja vašega aparata s strani naše tehnične službe, oziroma naših pooblaščenih serviserjev pod pogoji, ki so navedeni v garancijskem listu.

Poleg garancijskega lista vam mora trgovec izročiti tudi spisek naših pooblaščenih serviserjev, ki so edini pristojni za popravila Candyjevih aparatov v garancijskem roku.

2

Sestavni deli



1. Stikalna plošča s prikazovalnikom
2. Ohišje
3. Nastavljiva noga
4. Nosilec za steklenice
5. Steklena vrata
6. Kromirane police
7. Luč v notranjosti
8. Električne komponente (na hrbtni strani)
9. Temperaturno tipalo

Pomembna navodila za varno uporabo

- Pred uporabo aparata preberite ta navodila.
- Hladilni aparati so lahko življenjsko nevarni za otroke, tudi če jih ne uporabljamo več in jih 'le za nekaj dni' postavimo v garažo....
- Preden zavržete svoj odsluženi aparat, snemite vrata in pustite police v notranjosti, da otrok ne bo mogel zlesti v notranjost.
- Otrokom ne smete dovoliti, da upravljajo aparat, se igrajo z njim ali celo zlezejo v notranjost!
- Aparata ne smete nikoli čistiti z vnetljivimi snovmi. Hlapi vnetljivih snovi pomenijo veliko nevarnost, saj lahko povzročijo eksplozijo.
- V bližini električnih aparatov ne hranite bencina ali drugih vnetljivih snovi. Hlapi vnetljivih snovi pomenijo veliko nevarnost, saj lahko povzročijo eksplozijo.

Navodila za namestitev in priključitev

Pred uporabo:

- Odstranite vso embalažo, tudi zaščito z vrat.
- Prepričate se, da so priloženi vsi deli:
 - 3 izvlečne police
 - 1 nosilec za steklenice
 - Navodila za uporabo.

- Pred priključitvijo naj aparat stoji v pokončnem položaju vsaj 2 uri. S tem zmanjšate možnost za nepravilnost v delovanju hladilnega sistema zaradi transporta aparata.
- Zunanje površine očistite z mlačno vodo in mehko krpo.

Namestitev

- Postavite aparat na tla, ki prenesejo težo polne vinske omare. Uravnajte jo s pomočjo nastavljivih nog na sprednji strani.
- Za in ob vinski omari naj ostane pribl. 12 cm prostora, da bo lahko zrak krožil okoli vinske omare in hladil kompresor.
- Vinska omara naj ne bo izpostavljena direktni sončni svetlobi ali virom toplote (radiator, peč ipd.). Direktna sončna svetloba bi lahko vplivala na akrilno prevleko, zaradi vira toplote v bližini pa bi bila poraba energije večja. Tudi ekstremno nizke temperature bi lahko povzročile nepravilnost v delovanju vinske omare.
- Vinska omara naj ne stoji v vlažnem prostoru. Preveč vlage v zraku bi povzročilo prehitro nabiranje sreža na uparjalniku.
- Priključite vinsko omaro na pravilno ozemljeno vtičnico na zidu. V nobenem primeru ne smete odstraniti tretjega, ozemljitvenega vtiča! Z morebitnimi vprašanji v zvezi z napajanjem in ozemljitvijo se obrnite na ustrezno usposobljenega strokovnjaka.

Nepravilna ozemljitev pomeni tveganje za električni udar. Če je priključni električni kabel poškodovan, ga mora zamenjati serviser pooblaščenega servisa.

Pomembni napotki

V vinski omari ne hranite živil, saj temperatura v notranjosti ni dovolj nizka in bi se lahko živila pokvarila.

Zaradi kondenzacije, ki je naravni pojav, se lahko poleti ob zelo vlažnem zraku na steklu nabere vlaga. Obrišite jo.

Uporaba vinske omare

Priporočamo, da postavite vinsko omaro v prostor, kjer je temperatura med 22 in 25°C. Temperature nad oziroma pod priporočenimi bi lahko povzročili nihanja v temperaturi v notranjosti vinske omare.

Če pustite luč v notranjosti prižgano, se temperatura v vinski omari zviša.

Priporočene temperature za različne vrste vin:

Rdeča vina: 15,5 – 18,5°C

Suha/bela vina: 10 – 15°C



Peneča se vina: 7,2 – 9,5°C

Vina rose: 9,5 – 10,5°C

Temperatura v notranjosti vinske omare lahko niha glede na to, če je prižgana luč v notranjosti ter od tega, če je vino v spodnjem/srednjem ali spodnjem delu vinske omare.

Stikalna plošča in prikazovalnik



Temperaturo nastavljate s pomočjo tipke  ali . Ko prvič pritisnete na katero od teh tipk, se na prikazovalniku prikaže prej nastavljena temperatura (tovarniško je nastavljena temperatura 50°F). Temperatura se spreminja v korakih po 1°F (oz. 1°C).

Če so v vinski omari shranjena predvsem rdeča vina, nastavite temperaturo med 15,5 – 18,5°C; osvetljena bo lučka ob napisu »RED«.

Če so v vinski omari shranjena predvsem bela vina, nastavite temperaturo med 10 – 15°C; osvetljena bo lučka ob napisu »WHITE«.

Če pa so v vinski omari shranjena predvsem peneča se vina, nastavite temperaturo med 7,2 – 9,5°C; osvetljena bo lučka ob napisu »SPARKLING«.

Med prikazom v stopinjah Fahrenheita ali Celzija preklapljate s pomočjo tipke F/C.

Stopinje F so prikazane v rdeči barvi, stopinje C pa v rumeni.

Luč v notranjosti izklopite s pritiskom na tipko za luč.

Police

Police so kromirane. Lahko jih premikate in tako prilagodite prostor steklenicam različne velikosti. Police omogočajo shranjevanje maksimalnega števila steklenic.

Nosilec za steklenice

Na dnu vinske omare je nosilec, kamor lahko shranite 6 steklenic. Nosilec lahko odstranite za lažje čiščenje.

OPOMBA:

Ko prvič uporabite vinsko omaro, ali jo po daljšem času mirovanja ponovno vklopite, temperatura v notranjosti odstopa od temperature, ki ste jo nastavili in ki je prikazana na prikazovalniku. To je normalno in je posledica dejstva, da je bila vinska omara izklopljena. Po nekaj urah bo temperatura spet normalna.

Temperatura na zgornjih in na spodnjih policah se razlikuje za 4 do 6 stopinj. Če ste torej nastavili temperaturo, primerno za rdeča vina, in je na prikazovalniku prikazana temperatura 16°C, v vinsko omaro pa želite shraniti tako bela kot rdeča vina, postavite bela vina na spodnje police in rdeča vina na zgornje police.

Čiščenje in vzdrževanje

Zamenjava žarnice

OPOMBA: Pri zamenjavi žarnice shranite vse dele! Pred posegom izklopite vinsko omaro, ali potegnite vtikač iz vtičnice. V nasprotnem primeru obstaja nevarnost za električni udar ali poškodbo.

Moč žarnice ne sme presegati 10 W.

Čiščenje vinske omare

- Potegnite vtikač iz vtičnice in odstranite steklenice iz vinske omare.
- Očistite notranjost vinske omare s toplo vodo in sodo bikarbono (2 žlici sode bikarbone na četrt litra vode).
- Pomijte vso opremo z blago raztopino detergenta.
- Zunanost vinske omare očistite z blagim detergentom in toplo vodo.
- Občasno bo treba obrisati dno, saj se v vinski omari ohranja vlaga, kar lahko povzroči kondenzacijo.

Vzdrževanje vinske omare

- Izpad električne energije

V večini primerov izpad električne energije traja največ nekaj ur, tako da to ne bi smelo vplivati na temperaturo v notranjosti, sploh če ne odpirate vrat. Če pa traja izpad električne energije dlje časa, boste morali ukrepati.

Dopust

Če odidete za dlje časa, izpraznite vinsko omaro, potegnite vtičač iz vtičnice in očistite vinsko omaro. Nato pustite vrata nekoliko odprta, da preprečite nastanek neprijetnega vonja ali plesni.

Selitev vinske omare

- Izpraznite vinsko omaro.
- Varno pritrdite (z lepilnim trakom) vso opremo, da se ne more premikati.
- Noge privijte do konca, da se ne poškodujejo.
- Prilepite vrata na ohišje.
- Med transportom naj stoji vinska omara v pokončnem položaju.

Odpravljanje nepravilnosti v delovanju

Preden pokličete pooblaščen servis, poskusite sami odpraviti nepravilnost v delovanju s pomočjo navodil v spodnji razpredelnici.

Problem	Možen vzrok
Vinska omara ne deluje.	Ni priključena. Pregorela je varovalka.
Vinska omara ne hladi dovolj.	Prepričajte se, katero temperaturo ste nastavili. Nastavitev prilagodite temperaturi v prostoru. Prepogosto ste odpirali vrata. Vrata niso bila do konca zaprta. Tesnilo na vratih ne tesni. Vinska omara stoji preblizu sten ali pohištva.
Kompresor se pogosto vklaplja in izklaplja.	V prostoru je bolj vroče kot običajno. V vinsko omaro ste postavili večje število steklenic toplega vina. Prepogosto ste odpirali vrata. Vrata niso bila do konca zaprta. Niste nastavili ustrezno temperaturo. Tesnilo na vratih ne tesni. Vinska omara stoji preblizu sten ali pohištva.
Luč ne gori.	Pregorela je žarnica. Vinska omara ni priključena na električno omrežje. Pregorela je žarnica (zamenjajte jo po teh navodilih). Stikalo je v izklopljenem položaju.
Vinska omara vibrira.	Prepričajte se, da stoji ravno.
Vinska omara je glasna.	Določeni zvoki so normalni (pretakanje hladiva, krčenje in raztezanje zunanjih stranic itd.). Prepričajte se, da stoji vinska omara ravno.
Vrata se slabo zapirajo.	Vinska omara ne stoji ravno. Spremenili ste stran odpiranja vrat, ampak jih niste pravilno namestili nazaj. Tesnilo je umazano. Police niso pravilno nameščene.

Tehnični podatki so navedeni na ploščici s podatki.

Pridržujemo si pravice do sprememb. Pridržujemo si pravice do tiskarskih napak.

Splošno opozorilo! Candyjevi gospodinjski aparati so namenjeni izključno uporabi v gospodinjstvu. Aparat uporabljajte le v skladu z navodili! Vse pravice pridržane. Noben del te izdaje ne sme biti reproduciran ali prepisan v katerikoli obliki oz. na katerikoli način bodisi mehansko, s fotokopiranjem ali kako drugače, brez privoljenja lastnikov avtorskih pravic ©.

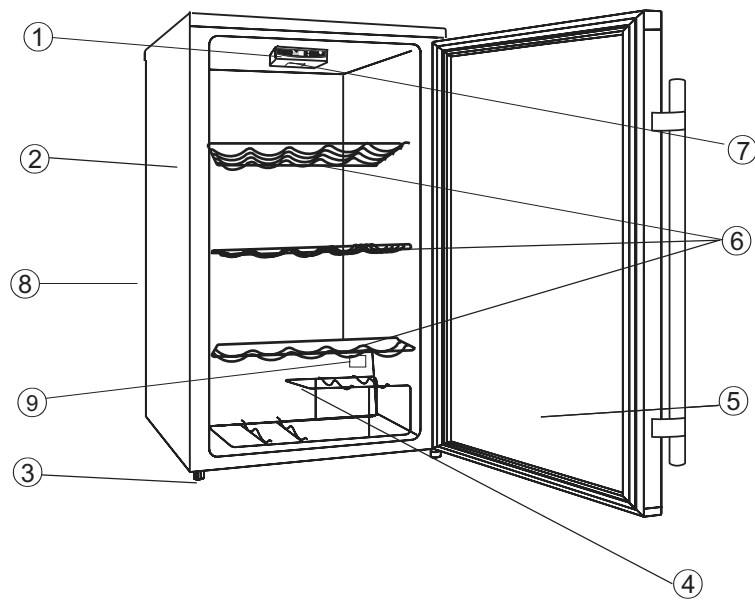
Izdelek je označen skladno z direktivo evropske Gospodarske zbornice 2002/96 o odpadni električni in elektronski opremi (WEEE).

S pravilnim načinom odstranjevanja izdelka boste pomagali preprečiti morebitne negativne posledice na okolje in zdravje ljudi, ki bi jih lahko povzročilo nepravilno odstranjevanje aparata. Simbol na izdelku označuje, da s tem izdelkom ni dovoljeno ravnati kot z običajnimi gospodinskimi odpadki. Izdelek odpeljite na ustrezno zbirno mesto za predelavo električne in elektronske opreme. Odstranjevanje mora biti opravljeno skladno z lokalnimi okoljevarstvenimi predpisi o odstranjevanju odpadkov.

Za podrobnejše informacije o odstranjevanju in predelavi tega izdelka se obrnite na pristojen mestni organ za odstranjevanje odpadkov, komunalno službo ali trgovino, v kateri ste izdelek kupili.



PIEZAS Y CARACTERÍSTICAS



1. Panel de Funcionamiento e Informativo
2. C n ara
3. Patas niveladoras
4. Botellero
5. Puerta de cristal
6. Baldas cromadas
7. Luz interior
8. Conjunto de elementos de control (parte posterior)
9. Termostato

Instrucciones de seguridad importantes

- Lea las instrucciones antes de utilizar el aparato
- No se han dado casos de niños que se hayan quedado atrapados y que se hayan asfixiado. Los aparatos arrojados a la basura o abandonados siguen siendo peligrosos... aunque se dejen en el garaje tan sólo un par de días”.
- **Antes de tirar su antiguo refrigerador de vino:**
 - Retire la puerta, deje las baldas colocadas de forma que a los niños les resulte difícil meterse dentro.
- Nunca permita que los niños manejen, jueguen con el aparato o se introduzcan dentro del mismo.
- Nunca limpie las partes del aparato con líquidos inflamables. Los gases pueden provocar fuego o explosiones.
- No guarde ni utilice gasolina ni cualquier otro gas y líquido inflamable dentro de este u otro aparato. Los gases pueden provocar fuego o explosión.

INSTRUCCIONES DE INSTALACIÓN

Antes de utilizar el refrigerador de vino

- Retire el embalaje exterior e interior, incluida la espuma protectora de los paneles de la puerta.
- Compruebe que se incluye lo siguiente:
 - 3 baldas deslizables
 - 1 botellero
 - 1 manual del usuario
- Antes de conectar el aparato a la corriente, déjelo quieto en posición vertical durante 2 horas aproximadamente. Esto reducirá la posibilidad de fallos en el funcionamiento del sistema de refrigeración derivados de la manipulación durante el transporte.
- Limpie la parte interna con agua tibia y un paño.

Instalación del refrigerador

- Coloque el aparato en un suelo lo suficientemente resistente como para que pueda soportar el peso de 1 aparato lleno de botellas. Para nivelar el aparato, ajuste las patas delanteras del mismo.
- Deje 12 cm de espacio entre la parte posterior y los lados del aparato, esto permitirá una circulación de aire adecuada para refrigerar el compresor.
- Coloque el aparato donde no reciba la luz directa del sol y donde no haya fuentes de calor cercanas (estufa, calentador, radiador, etc.). La luz directa del sol puede afectar al revestimiento acrílico y las fuentes de calor pueden aumentar el consumo eléctrico. Una temperatura extremadamente fría en el ambiente también puede hacer que el aparato no funcione correctamente.
- Evite colocar el aparato en ambientes húmedos. Una humedad excesiva en el aire podrá provocar escarcha muy rápida en el evaporador.

- Enchufe el aparato únicamente a un enchufe de pared con toma de tierra adecuada. Bajo ningún concepto quite o corte la tercera clavija (toma de tierra) del cable. Todas las cuestiones relacionadas con la energía eléctrica y la toma de tierra debe dirigirlas a un electricista o centro de servicio de productos autorizado.

La utilización indebida del enchufe de toma de tierra puede provocar riesgo de descarga eléctrica. Si el cable eléctrico está dañado, haga que lo remplace un centro de servicio Candy Products autorizado.

PRECAUCIONES IMPORTANTES

No guarde comida en el refrigerador de vino ya que la temperatura interior podrá no ser lo suficientemente fría como para evitar el deterioro. Como consecuencia natural de la condensación, en los meses de verano o en zonas de gran humedad, puede que se empañe la parte externa de la puerta de cristal. Simplemente séquela.

FUNCIONAMIENTO DEL REFRIGERADOR

Se recomienda instalar el refrigerador de vino en un lugar con una temperatura ambiente entre 22-25° C. Una temperatura ambiente superior o inferior a la recomendada, podrá provocar variaciones en la temperatura interna.

Si la luz interior está encendida, la temperatura dentro del refrigerador de vino será mayor.

Temperaturas Recomendadas para un vino perfecto

Vino tinto:	15.5-18.5°C
Vino seco o blanco:	10-15°C
Vino espumoso:	7.2-9.5°C
Vino rosado:	9.5-10.5°C

Estas temperaturas pueden variar dependiendo de si la bombilla interior está encendida o apagada o si las botellas están en la parte media / baja o baja.



CÓMO UTILIZAR LOS BOTONES EL PANEL DE INFORMACIÓN

Puede establecer la temperatura que desee pulsando el botón ▲ o ▼. Cuando pulse los dos botones por primera vez el lector LED mostrará la temperatura original establecida previamente (la temperatura preestablecida en la fábrica es de 50°F (10°C)). La temperatura que desee establecer aumentará 1°F o 1°C si pulsa ▲ una vez por el contrario, la temperatura descenderá 1°F o 1°C si pulsa ▼ una vez.

Cuando almacene principalmente vino tinto, la temperatura que controla pulsando los dos botones anteriores ha de establecerse entre los 15,5 y los 18,5 °C. El LED "RED" (Rojo) que tiene al lado se iluminará en rojo.

Cuando almacene principalmente vino blanco, la temperatura ha de establecerse entre 10 y 15°C y la luz ROJA (RED) que hay al lado de "WHITE" (Blanco) se pondrá en verde. Cuando almacene principalmente vino espumoso la temperatura ha de establecerse entre 7,2 y 9,5 °C y el LED que hay al lado de "SPARKLING" (Espumoso) se pondrá en ámbar.

Puede seleccionar ver la temperatura en grados Fahrenheit o Celsius pulsando el botón que pone F/C. El indicador de grados Fahrenheit aparecerá en color rojo, en la pantalla informativa aparecerá °F; el indicador de grados Celsius se pondrá en amarillo y en la pantalla informativa aparecerá °C.

Puede encender o apagar la luz interior pulsando el botón que tiene el símbolo de ON/OFF (encendido/ apagado).

Baldas

Las baldas están cromadas. Para colocar botellas de distinto tamaño se pueden mover arriba y abajo deslizando primero hacia fuera por los rales. Las baldas están diseñadas para almacenar un número máximo de botellas.

Botellero

Hay un botellero adicional en la parte inferior del aparato donde puede guardar hasta 6 botellas de vino. Este botellero se puede quitar para limpiarlo.

ADVERTENCIA:

Cuando utilice el refrigerador de vino por primera vez o lo reinicie después de haber estado apagado durante bastante tiempo puede que haya unos grados de variación entre la temperatura que seleccione y la que indica el lector LED. Esto es normal y se debe al período de tiempo de activación. Una vez que el refrigerador lleve funcionando un par de horas volverá a la normalidad.

Hay una variación de 4 a 6° C entre la parte superior y la inferior del refrigerador de vino. Por ello, si ha establecido el refrigerador para vino tinto solo, y quiere colocar vino blanco y tinto, deberá colocar las botellas de vino blanco en las baldas inferiores y las de vino tinto en las superiores.

CUIDADO Y MANTENIMIENTO

CAMBIAR LA BOMBILLA

Advertencia: Las partes que se retiren deberán conservarse para realizar el cambio de bombilla. Antes de retirar la bombilla, desenchufe el refrigerador y desconecte el refrigerador del enchufe principal. Si no hace esto puede provocar descargas eléctricas o daños personales. La bombilla no ha de exceder los 10 vatios.

Limpieza del refrigerador

- Desenchufe el refrigerador y retire las botellas.
- Limpie el interior con agua caliente y una solución de bicarbonato sódico. La proporción será de dos cucharillas de bicarbonato sódico por litro de agua.
- Lave las baldas y las bandejas con un detergente suave.
- El exterior del refrigerador es recomendable limpiarlo con agua caliente y detergente suave.
- También puede ser necesario secar periódicamente la parte inferior de la zona de almacenaje ya que el refrigerador de vino está diseñado para retener la humedad y es posible que la condensación se recoja en esa zona.

Mantenimiento del refrigerador

- Fallo de energía
La mayor parte de los fallos de suministro se corrigen después de un par de horas y no tienen por qué afectar al refrigerador si se minimiza el número de veces que se abre la puerta. Si la energía se va a interrumpir durante un período prolongado, necesita seguir los pasos adecuados para la conservación del contenido del refrigerador.

Período vacacional

Durante largas ausencias, retire las botellas, desenchufe el refrigerador de vino, límpielo y deje la puerta ligeramente abierta para evitar posible condensación, moho u olores.

Mover el refrigerador

- Retire todas las botellas
- Ajuste de forma segura los componentes flojos dentro del refrigerador.
- Levante los tornillos de nivelación hacia la base para evitar daños.
- Eche el cierre de la puerta.
- Asegúrese de que el refrigerador de vino esté en la posición vertical correcta durante el transporte.

Incidencias

Puede solucionar muchos de los problemas de su refrigerador de manera sencilla, ahorrándose el coste de la llamada al servicio técnico. Pruebe las sugerencias siguientes para ver si puede solucionar usted el problema antes de llamar al técnico.

GUÍA DE INCIDENCIAS

PROBLEMA	CAUSA POSIBLE
El refrigerador no funciona	No está enchufado El disyuntor se desactivó o se fundió el fusible
El refrigerador no enfría lo suficiente	Compruebe el ajuste del controlador de temperatura El ambiente externo puede requerir un ajuste mayor La puerta se abre con demasiada frecuencia La puerta no se cierra completamente La junta de la puerta no sella de forma adecuada El refrigerador no posee la evacuación correcta.
El compresor se enciende y apaga con frecuencia	La temperatura de la habitación es más calurosa de lo normal Se han introducido en el refrigerador de vino muchas botellas La puerta se abre con demasiada frecuencia La puerta no se cierra completamente El control de temperatura no se ha establecido de forma correcta La junta de la puerta no sella de forma adecuada El refrigerador no posee la evacuación correcta.
La luz no funciona	El disyuntor se ha desconectado o el fusible se ha fundido El refrigerador está desenchufado La bombilla se ha fundido (véase el apartado de mantenimiento para cambiarla) El interruptor está en la posición "OFF" (apagado)

Vibraciones	Compruebe que el refrigerador de vino está nivelado
Parece que el refrigerador hace demasiado ruido	El ruido repetido puede provenir del flujo del refrigerante, en cuyo caso es normal. Cuando finaliza cada ciclo se pueden oír sonidos de gorgoteo provocados por el flujo del refrigerante en el refrigerador. La contracción y expansión de las paredes internas puede causar ruidos de crujidos y estallidos. El refrigerador de vino no está nivelado.
La puerta no cierra bien	El refrigerador de vino no está nivelado. La puerta se ha invertido y no se ha colocado correctamente. La junta está sucia. Las baldas no están colocadas en su sitio.

Especificaciones técnicas:

Para especificaciones concretas, por favor mire la placa del fabricante en la parte posterior de la bodega de vino. Las especificaciones están sujetas a cambio sin previo aviso debido a la mejora de los productos.

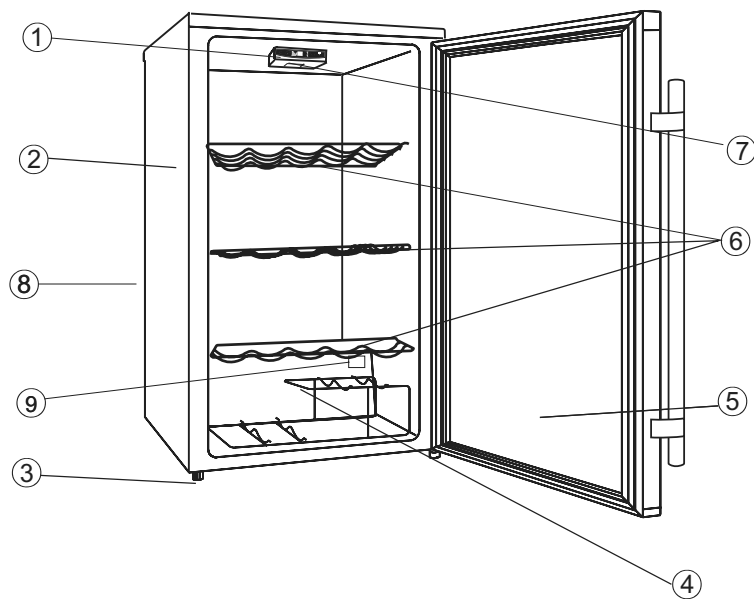
HANDBOK

Du kan lätt lösa många vanliga problem med vinkällaren själv, och bespara dig kostnaderna av ett eventuellt servicesamtal. Prova förslagen nedan och se om du kan lösa problemet innan du kontaktar service.

FELSÖKNINGSGUIDE

PROBLEM	MÖJLIG ORSAK
Vinkylaren fungerar inte.	Strömkretsen är bruten eller säkringen har gått. Enheten ej inkopplad.
Vinkylaren blir inte tillräckligt kall.	Det är inte tillräckligt stort utrymme runt vinkylaren. Dörrens tätningsslut sluter inte tätt. Dörren är inte ordentligt stängd. Dörren öppnas för ofta. Omgivningens förhållanden kan göra att en högre inställning krävs. Kontrollera temperaturinställningen.
Kompressorn slår på och av ofta	Det är inte tillräckligt stort utrymme runt vinkylaren. Dörrens tätningsslut sluter inte tätt. Temperaturen är felaktigt inställd. Dörren är inte ordentligt stängd. Dörren öppnas för ofta. En stor mängd okylt vin har stoppats in i vinkylaren. Rummet är varmare än normalt.
Belysningen fungerar inte.	Strömbrytaren är avslagen. Glödlampan har brunnit ut (se underhållsavsnittet om hur man byter lampa). Vinkylaren är inte ansluten till vägguttaget. En huvudströmbrytare är avstängd eller en säkring har gått.

Kontrollpanel och display



1. Skåp
2. Fot för nivåjustering
3. Vinhylla
4. Glasdörr
5. Kromade hyllor
6. Innerlampa
7. Elektrisk styrenhet (på baksidan)
8. Temperatursensor

Läs alla anvisningar innan du använder produkten.

Tyvärr händer det att barn stängs in, med kvävningsrisk som följd. Kasserade enheter är fortfarande farliga... även om de ”bara ska stå i garaget ett par dagar”.

Innan du kasserar din gamla vinkylare:

ta bort dörren och låt hyllorna sitta kvar, så att det inte är lätt för barn att krypa in.

Låt aldrig barn använda, leka med eller krypa in i enheten.

Rengör aldrig produktens delar med brännbara vätskor. Ångorna kan orsaka brand eller explosion.

Förvara eller använd inte bensin eller andra antändliga ångor och vätskor i närheten av denna eller annan utrustning. Ångorna kan förorsaka brand eller explosion.

INSTALLATIONSANVISNINGAR

Innan du använder din vinkylare

Ta bort allt inre och yttre förpackningsmaterial, inklusive frigoliten på dörrpanelerna.

Kontrollera att följande delar medföljer:

3 utdragbara hyllor

1 vinhylla

1 handbok

Låt enheten stå upprätt ca 2 timmar innan du ansluter den till eluttaget. Det minskar risken för fel i kylsystemet som orsakas av hanteringen vid transport.

Rengör insidan med ljummet vatten och en mjuk trasa.

Installera vinkylaren

Placera produkten på ett golv som är tillräckligt starkt för att bära den när den är

fyllt. Justera fötterna på enhetens framsida så att den står plant. Lämna ett utrymme på ca 12 cm bakom och på sidorna om enheten, så att luften kan cirkulera och kyla kompressorn. Placera inte enheten i direkt solljus eller nära värmekällor (spis, värmeelement etc.). Direkt solljus kan påverka akrylbeläggningsen, och värmekällor kan öka elförbrukningen. Extremt kall miljö kan också göra att enheten inte fungerar som den ska.

Undvik att ställa produkten i fuktig miljö. För mycket fukt kan göra att frost snabbt bildas på förångaren.

VÅRD OCH UNDERHÅLL

BYTA GLÖDLAMPA

Obs! Alla borttagna delar måste sparas när du byter lampa. Dra ut elkontakten eller stäng av huvudströmmen innan du tar bort glödlampan. Om du inte gör det föreligger risk för elstötter eller personskador.

Glödlampans effekt får inte överstiga 10 W.

Rengöra vinkylaren

Dra ut vinkylarens elkontakt och ta ut alla flaskor. Tvätta insidan med en lösning av varmt vatten och bikarbonat. Lösningen bör bestå av 2 matskedar bikarbonat till en liter vatten.

Tvätta hyllorna och facken med mildt rengöringsmedel. Vinkylarens utsida rengörs med ett mildt rengöringsmedel och varmt vatten. Du kan ibland behöva torka av botten av vinkylarens insida, eftersom enheten är utformad för att behålla luftfuktighet och kondens kan samlas där.

Underhåll av vinkylaren

Strömavbrott

De flesta strömavbrott åtgärdas inom några timmar och bör inte påverka vinkylarens temperatur om du bara öppnar den så lite som möjligt. Om strömmen ska vara avstängd en längre tid bör du utföra förebyggande åtgärder för att skydda innehållet.

Semester

Vid längre frånvaro bör du ta ut alla flaskor, dra ut elkontakten, rengöra vinkylaren och låta dörren stå på glänt för att förhindra att kondens, mögel eller lukt bildas.

Flytta vinkylaren

- Ta ut alla flaskor.
- Säkra alla lösa delar i vinkylaren med tejp.
- Vrid upp nivåjusteringsskruvarna till bottenplattan för att undvika skada.
- Tejpa igen dörrarna.
- Se till att vinkylaren hålls upprätt under transport.

Vid lagring av de flesta röda vinerna ställs temperaturen in mellan 15,5 och 18,5 °C och lampan bredvid ”RED” lyser rött.

Vid lagring av de flesta vita vinerna ställs temperaturen in mellan 10 och 15 °C och lampan bredvid ”WHITE” lyser grönt. Vid lagring av de flesta mousserande vinerna ställs temperaturen in mellan 7,2 och 9,5 °C och lampan bredvid ”SPARKLING” lyser gult.

Enheten kan visa temperaturen i grader Celsius eller Fahrenheit. Du kan ändra temperatursystem med knappen F/C. Fahrenheit-indikatorn visas i rött på displayen

F, och Celsius-indikatorn visas i gult på displayen C. Du kan tända eller släcka innerbelysningen med den knapp som är märkt med PÅ/AV-symbolen.

Hyllor

Hyllorna är förkromade. Du kan göra plats för flaskor av olika storlek genom att flytta dra ut hyllorna ur spåren och flytta dem uppåt eller nedåt. Hyllorna är utformade för att lagra maximalt antal flaskor.

Vinhylla

Det finns en extra vinhylla längst ner i enheten, där du kan förvara upp till 6 vinflaskor. Hyllan går att ta bort vid rengöring.

OBS!

Första gången du använder vinkylaren, eller sätter på vinkylaren efter att den har varit avstängd en längre tid, kan det skilja några grader mellan den temperatur du ställer in och den som visas på displayen. Det är normalt. När vinkylaren har varit igång några timmar fungerar det som vanligt.

Det skiljer dessutom 4 till 6 °C mellan översta och understa hyllorna i alla vinkylare. Om du exempelvis har ställt in vinkylaren på endast rött vin, temperaturdisplayen visar 16 °C och du vill stoppa in en blandning av vita och röda viner i vinkylaren, bör du placera vitvinsflaskorna på de nedre hyllorna och rödvinsflaskorna på de övre.

Anslut enheten till ett eget, korrekt installerat, jordat vägguttag. Skär eller ta under inga omständigheter bort jordstiftet från elkabeln. Alla frågor om elektricitet och jordning bör ställas till en certifierad elektriker eller ett auktoriserat Kelvinator Products-servicecenter.

Felaktig användning av den jordade kontakten kan orsaka risk för stötar. Om

elkabeln skadas bör den bytas av ett auktoriserat Kelvinator Products-servicecenter.

VIKTIGA SÄKERHETSFÖRESKRIFTER

Förvara inte mat i vinkylaren, eftersom den eventuellt inte blir tillräckligt kall för att matens ska hålla sig. Under sommaren eller i fuktig miljö kan kondens bildas på glasdörrens utsida. Detta är helt naturligt. Det är bara att torka bort den.

ANVÄNDA VINKYLAREN

För bästa resultat bör du installera vinkylaren där den omgivande lufttemperaturen är 22-25 °C. Om omgivningens temperatur är utanför rekommenderat temperaturintervall kan det leda till att innertemperaturer varierar.

Om innerbelysningen lämnas på kan vinkylarens temperatur stiga.

Rekommenderade temperaturintervall för vinkylning

Rött vin: 15,5–18,5 °C

Torrt vitt vin: 10–15 °C

Mousserande vin: 7,2–9,5 °C

Rosévin: 9,5–10,5 °C

Temperaturerna ovan kan variera, beroende på om innerbelysningen är tänd eller släckt och hur flaskorna ligger i den övre, mellersta eller undre delen av vinkylaren.



SÅ HÄR ANVÄNDER DU PANELENS KNAPPAR:

Du kan ställa in temperaturen med knapparna och

. När du trycker på knapparna första gången visar displayen den ursprungliga temperatur som ställdes in förra gången (den fabriksinställda temperaturen är 10 °C).

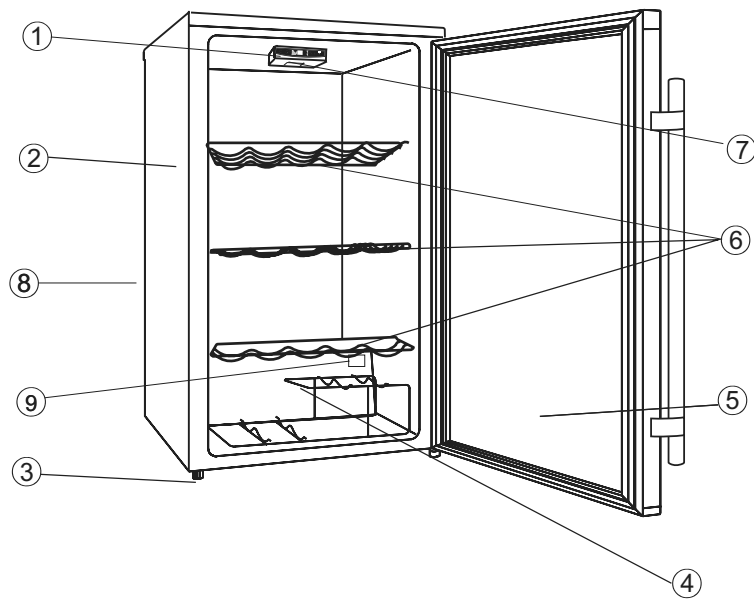
Temperaturen ökar 1 grad varje gång du trycker på , och temperaturen minskar 1 grad varje gång du trycker på .

Vibrationer.	Kontrollera att vinkylaren står plant.
Vinkylaren låter onormalt.	Vinkylaren står inte plant. Sammandragningar och utvidgningar av innerväggarna kan orsaka ploppande och knastrande ljud. I slutet av varje cykel kan det höras ett gurglande ljud, som orsakas av kylmedelsflödet i vinkylaren. Det skallrande ljudet kan bero på kylmedelsflödet, vilket är normalt.
Dörren går inte att stänga ordentligt.	Hyllorna har hamnat snett. Tätningslisten är smutsig. Man har ändrat dörrarnas öppningsriktning, men inte installerat dem korrekt. Vinkylaren står inte plant.

Tekniska specifikationer:

Detaljerade specifikationer finns på namnplåten på vinkylarens baksida. Specifikationerna kan komma att ändras utan föregående meddelande på grund av produktförbättringar.

ALKATRÉSZEK ÉS TULAJDONSÁGOK



1. Működés és kijelző
2. Szekrény
3. Szintbeállító láb
4. Bortároló rác
5. Üvegajtó
6. Króm polcok
7. Belső lámpa
8. Elektromos vezérlőegység (hátul)
9. Hőmérsékletérzékelő

Fontos biztonsági utasítások

A készülék használata előtt olvassa el az utasításokat.

A gyermekek bezáródásának és megfulladásának problémája még nem a múlté. A lerobbant vagy elhagyatott készülékek még akkor is veszélyesek, ha "csak úgy néhány napig elvannak a garázsban".

A régi borhűtő kidobása előtt:

vegye le az ajtót és hagyja a polcokat a helyükön, hogy a gyerekek ne mászhassanak be könnyen a belsejébe.

Soha ne engedje, hogy gyerekek működtessék a készüléket, játszanak vele, vagy hogy bemásszanak a készülékbe.

Soha ne tisztítsa a készülék alkatrészeit gyúlékony folyadékokkal.

A folyadékok gőzei tűz- és robbanásveszélyesek lehetnek.

Ne tároljon vagy használjon benzint vagy más gyúlékony gőzöket és folyadékokat a készülék közelében. A gőzök tűz- és robbanásveszélyesek lehetnek.

TELEPÍTÉSI UTASÍTÁS

A borhűtő használata előtt

Távolítsa el a külső és a belső csomagolást, ideértve az ajtólapokon lévő védőhabot is.

Ellenőrizze az alábbi alkatrészek meglétét:

3 db kicsúsztható polc

1 db bortároló rács

1 db kezelési utasítás

A készülék hálózati csatlakoztatása előtt hagyja körülbelül 2 órán keresztül függőleges helyzetben állni a készüléket. Ezáltal csökkenthető a hűtőrendszer szállítás miatti hibás működésének a lehetősége.

Langyos vízbe mártott puha törülőruhával tisztítsa meg a belső felületeket.

A borhűtő telepítése

A készüléket olyan padlóra kell helyezni, amely elég erős a teljesen feltöltött készülék alátámasztására. A szintbeállításához használja a készülék elülső állítható lábait.

Hagyjon körülbelül 12 centimétert a készülék háta és oldalai között, hogy megfelelő legyen a levegőáramlás a kompresszor lehűtéséhez.

Ne tegye ki a készüléket közvetlen napsugárzás vagy hőforrás (kályha, fűtőkészülék, radiátor stb.) hatásának. A közvetlen napsugárzás károsíthatja az akril bevonatot, és a hőforrások növelhetik az áramfogyasztást.

A nagyon hideg környezeti hőmérséklet is előidézhetheti a készülék hibás működését.

Kerülje a készülék nedves helyiségben történő elhelyezését. A levegő túl nagy nedvességtartalma gyors zúzmaraképződést idéz elő a párologtatón.

A készülék dugóját külön az erre a célra kialakított, földelt fali csatlakozóaljzatba kell bedugni. Semmilyen körülmények között sem szabad a hálózati kábel harmadik (földelő) villáját eltávolítani. Az áramellátással és/vagy a földeléssel kapcsolatos kérdéseivel forduljon szakképzett villanyszerelőhöz vagy a Candy Products hivatalos szervizközpontjához.

A földelt csatlakozódugó helytelen használata áramütést idézhet elő. A sérült hálózati kábelt a Candy Products hivatalos szervizközpontjával kell kicseréltetni.

A borhűtő ajtónyitási irányának megfordítása

A borhűtő ajtaja balra is és jobbra is nyitható. A leszállított készülék ajtaja jobbról nyílik. Ha meg szeretné változtatni az ajtónyitás irányát, akkor a következőképpen kell eljárnia.

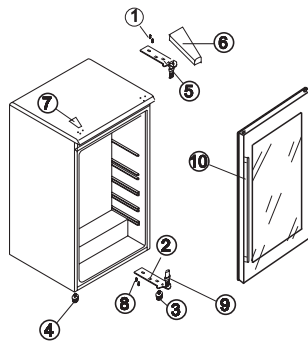
MEGJEGYZÉS:

Az ajtónyitás irányának megváltoztatása előtt ki kell kapcsolni az áramellátást.

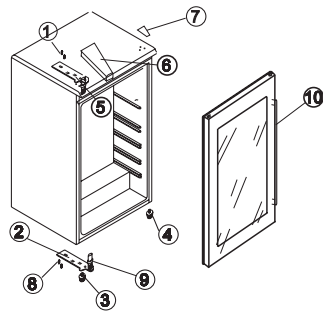
A leszerelt alkatrészeket őrizze meg az ajtó visszaszereléséhez.

A borhűtő ajtajának csuklópántjai gyárilag a jobb oldalon vannak. Ha meg szeretné változtatni a nyitás irányát, akkor kövesse az alábbi utasítást:

1. Először vegye le a felső csuklópánt-fedőt (6).
2. Vegye le a felső csuklópántot (5) (jobb oldal) a kerethez rögzítő két csavart (1). Vegye ki a felső csuklópántot (5).
3. Emelje le az ajtót, és karcolódás megelőzése érdekében helyezze párnázott felületre.
4. Vegye le a két csavart (10), amelyek a fogantyút (11) tartják (a jobb oldali kereten). Tegye át a fogantyút a bal oldali keretre.
5. Vegye le az alsó csuklópántot (2) tartó két csavart (8), majd vegye ki az alsó csuklópántot (2).
6. Vegye ki a bal első lábat (4) és tegye át a jobb oldalra.
7. Tegye át a furatos fedőlapot (7) a jobb oldalra.
8. Az alsó csuklópánt (2) elhelyezése előtt vegye ki a csapszeget (9) és fordítsa meg az alsó csuklópánt (2) irányát. Ezután szerelje fel az alsó csuklópántot (2) a két csavarral (8) az alsó keret bal oldalára.
9. Helyezze be a csapszeget (9) az alsó csuklópántba (2).
10. Az ajtót az alsó csuklópánthoz (2) illesztve tegye a helyére az ajtót.
11. Az ajtót csukott helyzetben tartva rögzítse a felső csuklópántot (5) a két csavarral (1) a bal oldali felső kerethez. Ne húzza meg teljesen a két csavart (1), amíg az ajtó teteje nincs egy szintbe állítva a pult tetejével.
12. Tegye fel a felső csuklópánt-fedőt (6) a felső csuklópántra.



Ajtónyitás bal oldalról



Ajtónyitás jobb oldalról

FONTOS BIZTONSÁGI ELŐÍRÁSOK

A borhűtőben ne tároljon élelmiszert, mert előfordulhat, hogy a belső hőmérséklet nem elég alacsony az élelmiszerek megromlásának megakadályozására. A páralecsapódás eredményeként a nyári hónapokban vagy a nagy páratartalmú helyiségben az üvegajtó külső oldalán nedvesség halmozódhat fel. Egyszerűen csak törölje le a nedvességet.

A BORHŰTŐ MŰKÖDTETÉSE

A borhűtőt olyan helyen javasoljuk elhelyezni, ahol a környezeti hőmérséklet 22-25°C között van. Ha a környezeti hőmérséklet az ajánlott érték alatt vagy fölött van, akkor a belső hőmérséklet ingadozása következhet be.

Ha a belső lámpát égve hagyjuk, akkor a borhűtő belső hőmérséklete nagyobb lesz.

A borhűtéshez ajánlott hőmérsékleti értékek	
Vörös borok:	15,5-18,5°C
Száraz/fehér borok:	10-15°C
Habzóborok:	7,2-9°C
Rozé:	9-10,5°C

A fenti hőmérsékleti értékek változhatnak attól függően, hogy a belső lámpa ég-e vagy nem, illetve a palackok az alsó/középső vagy az alsó részben helyezkednek-e el.



A KIJELZŐN LÉVŐ GOMBOK HASZNÁLATA

A ▲ vagy a ▼ gomb megnyomásával állíthatja be a kívánt hőmérsékletet. A két gomb első alkalommal történő megnyomásakor a LED-kijelző az előző alkalommal beállított eredeti hőmérsékletet mutatja (a hőmérséklet gyári beállítása 50°F). A beállítani kívánt hőmérséklet a gomb minden egyes lenyomásakor 1°F vagy 1°C hőmérséklettel növekszik, vagy 1°F vagy 1°C hőmérséklettel csökken.

Ha főleg vörös borokat tárol a készülékben, akkor a fenti két gombbal szabályozandó hőmérsékletet 15,5 és 18,5°C közé kell beállítani, ekkor a „RED” („VÖRÖS”) felirat melletti piros lámpa világít.

Ha főleg fehér borokat tárol a készülékben, akkor a hőmérsékletet 10-15°C közé kell beállítani, és a „WHITE” („FEHÉR”) felirat melletti zöld lámpa világít.

Ha főleg habzóborokat tárol a készülékben, akkor a hőmérsékletet 7,2-9,5°C közé kell beállítani, és a „SPARKLING” („HABZÓ”) felirat melletti sárga lámpa világít.

A hőmérséklet-kijelzést Fahrenheit-fokról Celsius-fokra az F/C gomb lenyomásával állíthatja át. A Fahrenheit-fok kijelző piros színnel jelenik meg az F jelű kijelzőn, a Celsius-fok kijelző pedig sárga színnel jelenik meg a C jelű kijelzőn.

A belső lámpát az ON/OFF (BE/KI) jelzésű gomb lenyomásával kapcsolhatja ki vagy be.

Polcok

A polcok krómbevonatúak. A különböző méretű palackok elhelyezéséhez a sínből történő kicsúsztatásuk után föl-le mozgathatóak. A polcokat maximális mennyiségű palack befogadására terveztük.

Bortároló rács

A készülék alsó részében egy bortároló rács is van, amelyen 6 borospalack tárolható. A rács tisztítás céljából kivehető.

MEGJEGYZÉS:

A borhűtő első alkalommal történő használatakor vagy hosszabb idő eltelte utáni ismételt bekapcsolásakor néhány fok eltérés lehet a kiválasztott hőmérséklet és a LED-kijelzőn látható hőmérséklet között. Ez normális jelenség, ami az aktiválási idő hossza miatt van így. A borhűtő néhány órás működése után minden a normális szintre áll vissza.

A borhűtő felső és alsó polcai között 4-6°C eltérés van. Ezért ha a borhűtőt csak vörös borra állította be, és a kijelző 16°C hőmérsékletet mutat, de fehér bort is szeretne behűteni, akkor a fehérboros palackokat az alsó polcokon, a vörösboros palackokat pedig a felső polcokon kell elhelyezni.

ÁPOLÁS ÉS KARBANTARTÁS ÉGŐCSERE

Megjegyzés: A leszerelt alkatrészeket őrizze meg az égő visszaszereléséhez.

Az égő kivétele előtt húzza ki a készülök csatlakozódugóját vagy szüntesse meg a hűtőszekrény áramellátását. Ennek elmulasztása áramütést vagy személyi sérülést okozhat. Az égő teljesítménye nem haladhatja meg az 10 W-ot.

A borhűtő tisztítása

Húzza ki a borhűtő csatlakozódugóját és vegye ki a palackokat. Mossa ki a készülék belsejét meleg víz és sütőszóda oldatával.

Egy liter vízhez körülbelül 2 evőkanál sütőszódát kell adni.

A polcokat és a tálcákat enyhe mosószeres oldattal kell lemosni.

A borhűtő külsejét enyhe mosószerrel és meleg vízzel kell lemosni.

Időnként szükségessé válhat a tárolótér alsó részének a letörlése is, mivel a borhűtőt a nedvesség megtartására terveztük, így páralecsapódás keletkezhet az alsó részben.

A borhűtő karbantartása

Áramkimaradás

A legtöbb áramkimaradás néhány órán belül megszűnik, így nem befolyásolja a borhűtő hőmérsékletét, ha ön a minimálisra csökkenti az ajtónyitások számát. Ha az áramszünet várhatóan hosszabb ideig tart, akkor meg kell tennie a szükséges lépéseket a hűtőgép tartalmának megvédése érdekében.

Szabadság ideje alatt

Hosszú távollét esetén vegye ki az összes palackot, húzza ki a borhűtő csatlakozódugóját, tisztítsa ki a készüléket, és kissé hagyja nyitva az ajtót a páralecsapódás, illetve a penész- és szagképződés elkerülése céljából.

A borhűtő mozgatása

Vegye ki az összes palackot.

Ragasztószalaggal ragassza le a borhűtő belsejében lévő laza alkatrészeket.

A sérülések elkerülése érdekében csavarja fel a szintbeállító csavarokat az alapba.

Ragasztószalaggal ragassza le a becsukott ajtót.

Ügyeljen arra, hogy szállítás közben a borhűtő függőleges helyzetben maradjon.

HIBAEELHÁRÍTÁSI ÚTMUTATÓ

Hibaelhárítás

A szerviz hívásának esetleges költségeit megtakarítva saját maga is megoldhatja a borhűtővel kapcsolatban felmerülő általános problémákat. A szerviz kihívása előtt próbálja ki az alábbi javaslatokat a probléma megoldása érdekében.

PROBLÉMA	LEHETSÉGES OK
Nem működik a borhűtő.	A csatlakozódugó nincs bedugva. Működésbe lépett a megszakító vagy kiégett a biztosíték.
Nem elég hideg a borhűtő.	A borhűtő körül nincs meg a megfelelő biztonsági távolság. Az ajtó tömítés nem tömít megfelelően. Az ajtó nincs teljesen becsukva. Túl gyakran nyitják ki az ajtót. Lehet, hogy a külső környezet magasabb beállítási értéket kíván. Ellenőrizze a hőmérséklet-szabályozó beállítását.

<p>A kompresszor gyakran be- és kikapcsol.</p>	<p>A borhűtő körül nincs meg a megfelelő biztonsági távolság. Az ajtó tömítés nem tömít megfelelően. A hőmérséklet-szabályozó nincs megfelelően beállítva. Az ajtó nincs teljesen becsukva. Túl gyakran nyitják ki az ajtót. Egyszerre nagy mennyiséget tettek be a borhűtőbe. A helyiség hőmérséklete nagyobb a szokásosnál. 8</p>
<p>Nem működik a lámpa.</p>	<p>A kapcsoló a „KI” helyzetben van. Kiegett az égő (az égőcserét lásd a karbantartással foglalkozó részben). A borhűtő dugója nincs csatlakoztatva. Működésbe lépett a megszakító vagy a biztosíték.</p>

Rezgések.	Ellenőrizze, hogy a borhűtő vízszintes helyzetben van-e.
A borhűtő túlságosan zajos.	A surrogó zajt a hűtőközeg áramlása okozhatja, ami normális jelenség. Az egyes ciklusok végén hallható csörgedező hangokat a hűtőközeg áramlása idézi elő. A belső falak összehúzódása vagy tágulása pattogó hangokat idézhet elő. A borhűtő nincs vízszintbe állítva.
Az ajtó nem csukódik be megfelelően.	A borhűtő nincs vízszintbe állítva. Megfordították az ajtónyitás irányát, és az ajtót nem szerelték megfelelően vissza. Piszkos a tömítés. A polcok nincsenek rendesen a helyükön.

Műszaki adatok

A részletes műszaki adatokat lásd a borhűtő hátoldalán elhelyezett adattáblán. A termékfejlesztés miatt a műszaki adatok előzetes értesítés nélkül változhatnak.



CKCD-E01-B