



### 15" Touchscreen with 5-wire Resistive Touch Technology

The ProLite T1531SR-B1S is based on 5 wire resistive touch technology. The price / performance ratio is ideal for the budget conscious user while quality and performance are certainly not compromised. The display inputs include both analogue and digital (HDMI and DisplayPort) with touchscreen connectivity via USB offering great flexibility. A solid and steady base supports the touchscreen with an adjustable stand offering full 90-degree angles. The ProLite T1531SR-B1S can be used in a variety of environments, especially recommended for shops, restaurants and industrial purposes.



#### Touch technology - Resistive

5-wire resistive touchscreens are very durable and can be used in a variety of environments. They are especially recommended for shops, restaurants and industrial purposes.



#### VA

VA panel technology offers higher contrast, darker blacks and much better viewing angles than standard TN technology. The screen will look good no matter what angle you look at it.

## 01 DISPLAY CHARACTERISTICS

|                         |   |
|-------------------------|---|
| Diagonal                | 15", 38cm   |
| Panel                   | VA  |
| Native resolution       | 1024 x 768 (0.8 megapixel)  |
| Aspect ratio            | 4:3   |
| Panel brightness        | 350 cd/m <sup>2</sup>   |
| Brightness              | 270 cd/m <sup>2</sup> with touch                                      |
| Light transmittance     | 77%   |
| Static contrast         | 2500:1  |
| Response time (BTB)     | 18ms  |
| Viewing zone            | horizontal/vertical: 176°/176°, right/left: 88°/88°, up/down: 88°/88° |
| Horizontal Sync         | 31.5 - 60.kHz   |
| Viewable area W x H     | 304 x 228mm   |
| Pixel pitch             | 0.297mm   |
| Bezel colour and finish | black, matte  |

## 02 TOUCH

|                             |   |
|-----------------------------|---|
| Touch technology            | serial resistive  |
| Touch points                | 1   |
| Touch method                | stylus, finger, glove   |
| Touch interface             | USB   |
| Supported operating systems | All iiyama monitors are Plug & Play and compatible with Windows and Linux. For details regarding the supported OS for the touch models, please refer to the driver instruction file available in the downloads section. |

## 03 INTERFACES / CONNECTORS / CONTROLS

|                      |                           |
|----------------------|---------------------------|
| Analog signal input  | VGA x1                    |
| Digital signal input | HDMI x1<br>DisplayPort x1 |
| Audio input          | Mini jack x1              |
| Audio output         | Speakers 2 x 1W           |
| HDCP                 | yes                       |

## 04 FEATURES

|                           |              |
|---------------------------|--------------|
| Water and dust protection | IP54 (front) |
|---------------------------|--------------|

## 05 GENERAL

|                 |   |
|-----------------|---|
| OSD languages   | EN, DE, FR, ES, IT, CN, JP  |
| Control buttons | Menu, Scroll up/ Brightness, Scroll down/ Mute, Select, Power   |
| User controls   | picture (contrast, brightness, H. position, V. position, phase, clock, auto adjust), advanced (color temp., sharpness), OSD (timeout, position, H-position, V-position), option (reset, language, source select, display mode, volume, mute, factory) |
| Convenience     | Kensington-lock™ prepared   |
| Plug&Play       | DDC2B   |

## 06 MECHANICAL

**Tilt angle** 90° up; 5° down

**VESA mounting** 100 x 100mm

**Cable management system** yes

## 07 ACCESSORIES INCLUDED

**Cables** power, USB, HDMI, Audio, DP

**Guides** quick start guide, safety guide

**Cable cover** yes

## 08 POWER MANAGEMENT

**Power supply unit** internal

**Power supply** AC 100 - 240V, 50/60Hz

**Power usage** 16W typical, 1.5W stand by, 0.3W off mode

## 09 SUSTAINABILITY

**Regulations** CE, EAC, RoHS support, ErP, WEEE, cULus, VCCI, REACH, UKCA

**Energy efficiency class (Regulation (EU) 2017/1369)** E

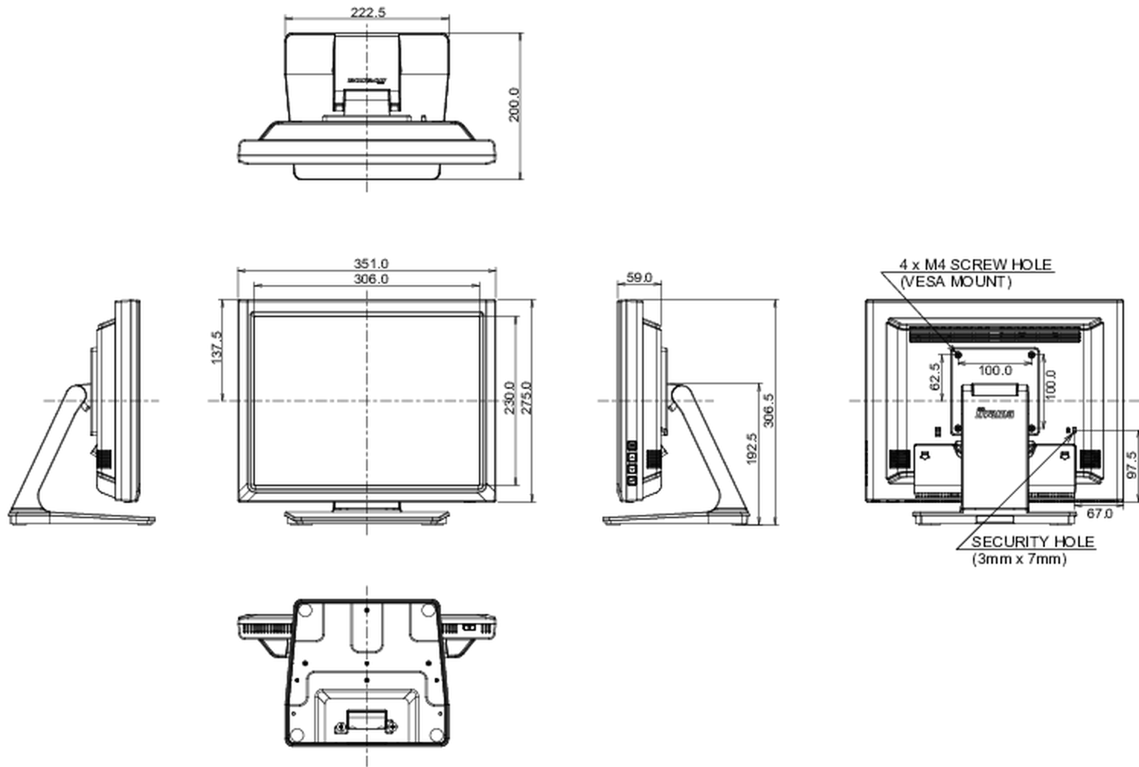
**REACH SVHC** above 0.1%: Lead

## 10 DIMENSIONS / WEIGHT

**Product dimensions W x H x D** 351 x 306.5 x 200mm

**Weight (without box)** 4.1kg

**EAN code** 4948570122073



All trademarks and registered trademarks acknowledged. E & O E. Specification subject to change without notice. All LCD's comply with ISO-9241-307:2008 in connection with pixel defects.

© IYAMA CORPORATION. ALL RIGHTS RESERVED