

ADS20-425BL1

NEOMOUNTS ADS20-425BL1 LAPTOP HOLDER 11.6-17.3" - VESA - UNIVERSAL

SPECIFICATIONS

GENERAL

Min. screen size*	11.6
Max. screen size*	17.3
Max. weight	8
Screens	1
VESA minimum	75x75 mm

FUNCTIE

Type	Fixed
Width adjustment	28,7-46,5 cm
Height	21,8 cm
Width	31 cm
Depth	3,9 cm
Adjustment type	Coil spring

INFORMATION

Series	NEXT Lite
Color	Black
Main material	Steel
Warranty	5 year

*Please note: The inch sizes stated are just an indication, combined with the weight and VESA sizes. The maximum weight and VESA size are absolute restrictions for the products and should not be exceeded.



Neomounts



Neomounts

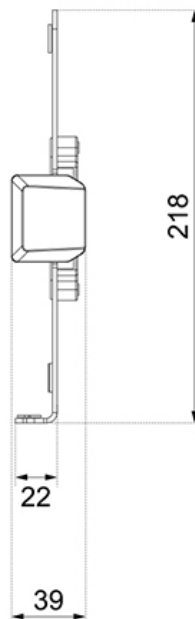
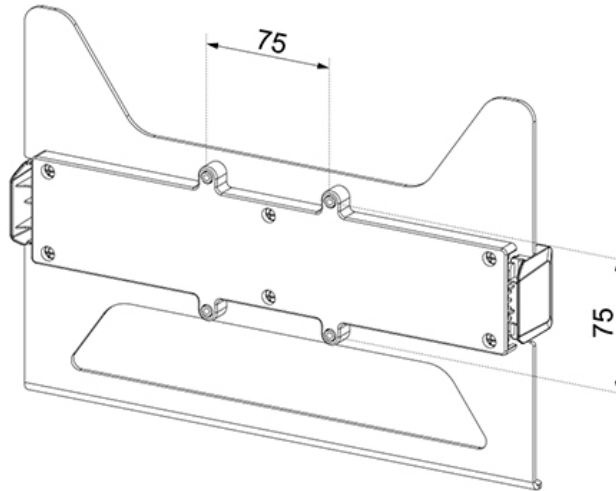
Neomounts NEXT ADS20-425BL1 Laptop holder - 11.6-17.3" - 0-8 kg - VESA 75x75 - universal - suitable for DS60-425BL1/BL2/WH1/WH2 - black

The Neomounts ADS20-425BL1 is a universal laptop holder for 11,6-17,3" laptops with a maximum weight capacity of 8 kg. The holder has spring loaded adjustable clamps, ranging from 28,7-46,5 cm.

The ADS20-425BL1 can be installed on any bracket, meeting VESA hole pattern 75x75 mm. The silicon pads prevent scratches to both your device and holder and keep your laptop safely in place. The cut-out design ensures sufficient ventilation for your laptop.

ADS20-425BL1

NEOMOUNTS ADS20-425BL1 LAPTOP HOLDER
11.6-17.3" - VESA - UNIVERSAL



Neomounts

Measuring unit: mm