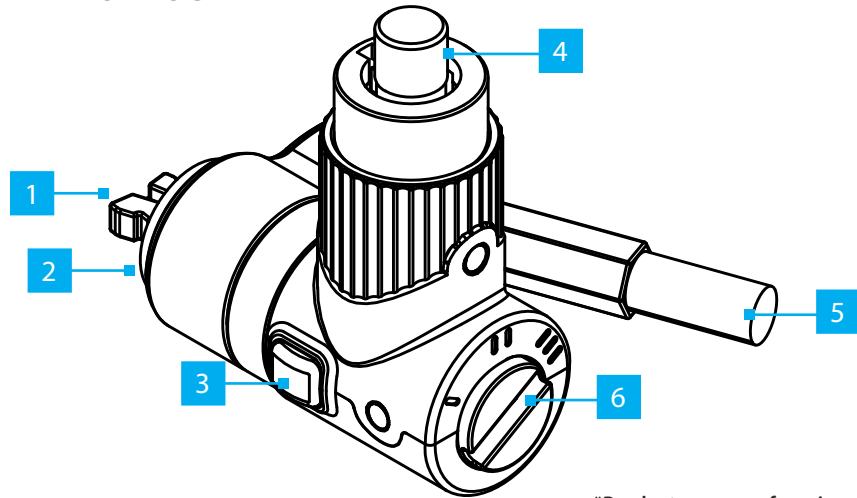


3-in-1 Universal Laptop Cable Lock - 6.6ft (2m)

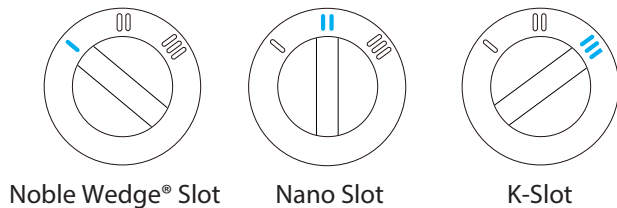
Product Diagram

UNIVK-LAPTOP-LOCK



*Product may vary from image

Lock Selection Dial



Noble Wedge® Slot

Nano Slot

K-Slot

	Components	Function
1	Lock Tip	<ul style="list-style-type: none"> Used to connect the Laptop Lock to a compatible Security Slot
2	Bumper Spacer	<ul style="list-style-type: none"> Prevents the Lock Head from scratching the secured Device Note: Attach one of the three Bumpers Spacers based on Security Slot requirements or it can be removed if the fit is too tight.

3	Release Button	<ul style="list-style-type: none"> Press and Hold to insert or remove from a Security Slot Note: The locking mechanism must be disengaged before pressing the button
4	Lock and Push-to-Lock Button	<ul style="list-style-type: none"> Press the Push-to-Lock Button to engage the locking mechanism without a Key Insert a Key and rotate to Unlock
5	Security Cable	<ul style="list-style-type: none"> Used to secure a Device to a stationary object Pivots 90° and allows to rotate the Lock Head 360° around the ball-joint
6	Lock Selection Dial	<ul style="list-style-type: none"> Use to change the shape of the Lock Tip for different Security Slots Note: The appropriate Lock Tip must be selected before inserting the Lock Tip into a Security Slot Use a Flat-Head Screwdriver or a similar object to rotate the Lock Selection Dial

Requirements

For the latest manuals, product information, technical specifications, and declarations of conformance, please visit: www.StarTech.com/UNIVK-LAPTOP-LOCK

- Compatible device with Noble Wedge®, Nano, or K-slot security slots
- Flat-head screwdriver

Package Contents

- Laptop Security Lock x 1
- Keys x 2
- Bumper Spacers x 3
- Hook-and-Loop Strap x 1
- Quick-Start Guide x 1

Securing a Device

Note The Key is required to unlock the Laptop Lock. The availability of the Key(s) should be known before using the Push-To-Lock Button.

- Wrap the **Security Cable** around a secure stationary object (i.e., a desk leg or table frame) and pull the **Laptop Lock** through the loop on the **Security Cable**. (Figure 1)

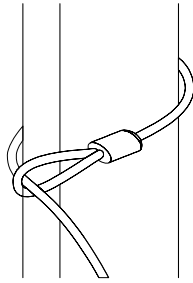


Figure 1

2. **Press and Hold the Release Button** then insert the **Lock Tip** into a compatible **Security Slot**. Let go of the **Release Button**.
3. Press the **Push-To-Lock Button** to engage the locking mechanism.

Use of Trademarks, Registered Trademarks, and other Protected Names and Symbols

This manual may make reference to trademarks, registered trademarks, and other protected names and/or symbols of third-party companies not related in any way to StarTech.com. Where they occur these references are for illustrative purposes only and do not represent an endorsement of a product or service by StarTech.com, or an endorsement of the product(s) to which this manual applies by the third-party company in question. StarTech.com hereby acknowledges that all trademarks, registered trademarks, service marks, and other protected names and/or symbols contained in this manual and related documents are the property of their respective holders.

Warranty Information

This product is backed by a two-year warranty.
For further information on product warranty terms and conditions, please refer to www.startech.com/warranty.

Limitation of Liability

In no event shall the liability of StarTech.com Ltd. and StarTech.com USA LLP (or their officers, directors, employees or agents) for any damages (whether direct or indirect, special, punitive, incidental, consequential, or otherwise), loss of profits, loss of business, or any pecuniary loss, arising out of or related to the use of the product exceed the actual price paid for the product. Some states do not allow the exclusion or limitation of incidental or consequential damages. If such laws apply, the limitations or exclusions contained in this statement may not apply to you.

Safety Measures

- Read the entire manual and ensure the instructions are fully understood before assembling and/or using this product.

Mesures de sécurité

- Lisez tout le manuel et assurez-vous que vous comprenez les instructions avant de commencer à assembler et utiliser ce produit.

安全対策

- 最初に取扱説明書を最後まで読み、本製品の組み立て方をすべて理解してから組み立て作業を始めて下さい。

Misure di Sicurezza

- Leggere l'intero manuale e assicurarsi di aver compreso tutte le istruzioni prima di iniziare ad assemblare e a utilizzare questo prodotto.

Säkerhetsåtgärder

- Läs hela manualen och se till att du förstår instruktionerna innan du börjar montera och använda produkten.

Medidas de Seguridad

- Lea todo el manual y asegúrese de haber comprendido bien las instrucciones antes de proceder con el ensamblaje y el uso de este producto.

Veiligheidsmaatregelen

- Lees de gehele handleiding en zorg dat u de instructies begrijpt voordat u dit product in elkaar zet en gebruikt.

Sicherheitsmaßnahmen

- Lesen Sie das gesamte Handbuch und vergewissern Sie sich, dass Sie die Anweisungen verstanden haben, bevor Sie das Produkt zusammenbauen und benutzen.

StarTech.com Ltd.

45 Artisans Crescent
London, Ontario
N5V 5E9
Canada

StarTech.com LLP

4490 South Hamilton
Road
Groveport, Ohio
43125
U.S.A.

StarTech.com Ltd.

Unit B, Pinnacle 15
Gowerton Road
Brackmills,
Northampton
NN4 7BW
United Kingdom

StarTech.com Ltd.

Siriusdreef 17-27
2132 WT Hoofddorp
The Netherlands

FR: startech.com/fr

DE: startech.com/de

ES: startech.com/es

NL: startech.com/nl

IT: startech.com/it

JP: startech.com/jp

Unlocking a Device

1. Insert the **Key** into the **Lock**. Turn the **Key** clockwise.
2. **Press and Hold the Release Button**. Pull the **Lock Tip** out of the **Security Slot**. Let go of the **Release Button**.
3. Remove the **Key** from the **Lock**.

