



Z790 GAMING PLUS WIFI

Motherboard

User Guide

Benutzerhandbuch

Manuel d'utilisation

Руководство пользователя

取扱説明書

사용 명서

使用手冊

使用手冊

English

Deutsch

Français

Русский

日本語

한국어

繁體中文

简体中文

Contents

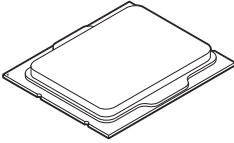
Quick Start.....	3
Specifications.....	15
Special Features.....	19
Package Contents	20
Back Panel Connectors	21
LAN Port LED Status Table	22
Audio Jacks Connection	22
Installing Antennas.....	24
Overview of Components	25
CPU Socket.....	26
DIMM Slots.....	27
PCI_E1~4: PCIe Expansion Slots.....	28
M2_1~4: M.2 Slots (Key M)	29
SATA1~6: SATA 6Gb/s Connectors.....	38
JAUD1: Front Audio Connector	38
JFP1, JFP2: Front Panel Connectors.....	39
CPU_PWR1~2, ATX_PWR1: Power Connectors	40
JCI1: Chassis Intrusion Connector.....	41
JUSB5: USB 3.2 Gen 2 Type-C Front Panel Connector	42
JUSB3~4: USB 3.2 Gen 1 Connectors	42
JUSB1~2: USB 2.0 Connectors.....	43
JTPM1: TPM Module Connector.....	43
JDASH1 : Tuning Controller connector.....	44
JTBT_U4_1: USB4 Expansion Card Connector	44
CPU_FAN1, PUMP_FAN1, SYS_FAN1~6: Fan Connectors.....	45
JBAT1: Clear CMOS (Reset BIOS) Jumper.....	46
BAT1: CMOS Battery.....	47
JRGB1~2: RGB LED connector.....	48
JARGB_V2_1~2: A-RAINBOW V2 (ARGB Gen2) LED connectors.....	49

EZ Debug LED.....	50
Installing OS, Drivers & MSI Center.....	51
Installing Drivers with MSI Driver Utility Installer.....	52
UEFI BIOS.....	55
BIOS Setup.....	56
Resetting BIOS.....	57
Updating BIOS.....	57

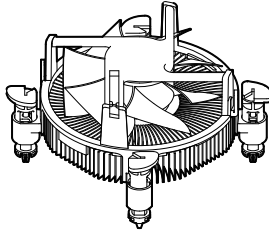
Quick Start

Thank you for purchasing a new motherboard from MSI®. This Quick Start section provides demonstration diagrams about how to install your computer. Some of the installations also provide video demonstrations. Please link to the URL to watch it with the web browser on your phone or tablet. You may have even link to the URL by scanning the QR code.

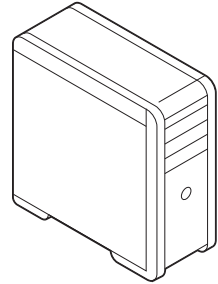
Preparing Tools and Components



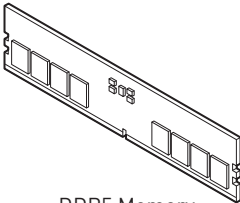
Intel® LGA1700 CPU



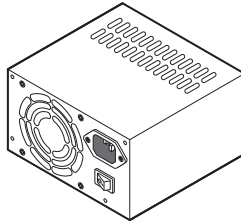
LGA1700 CPU Fan



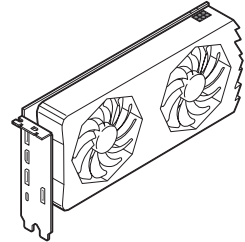
Chassis



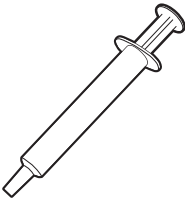
DDR5 Memory



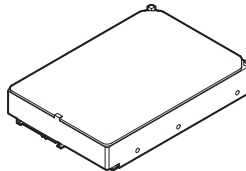
Power Supply Unit



Graphics Card



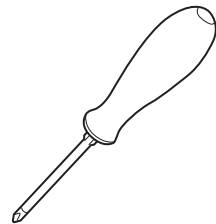
Thermal Paste



SATA Hard Disk Drive



A Package of Screws



Phillips Screwdriver

Safety Information

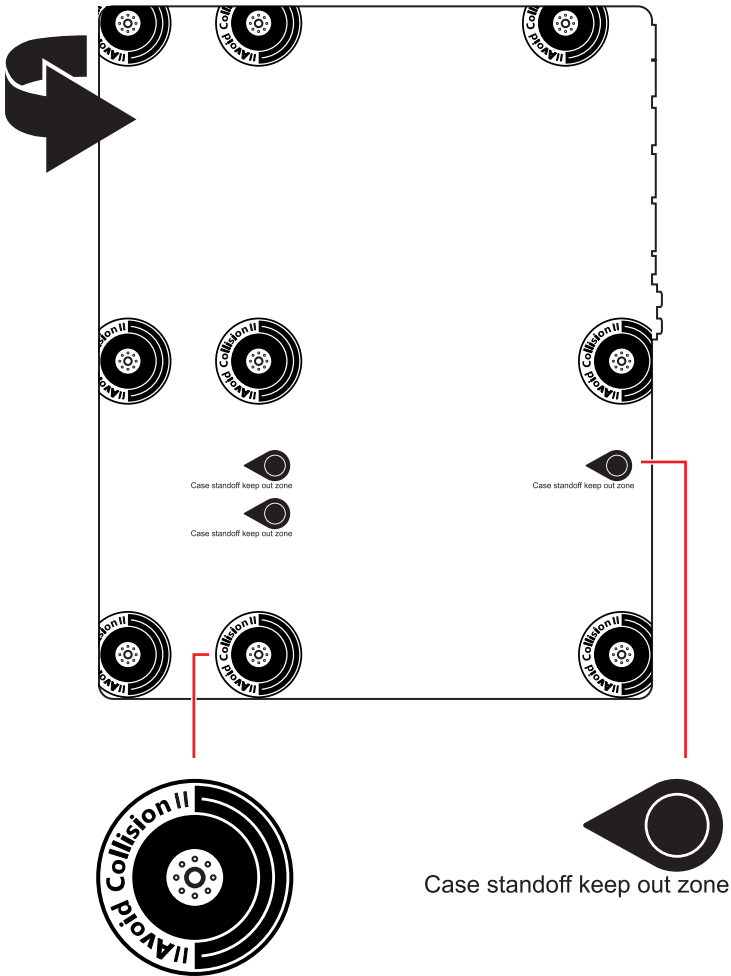
- The components included in this package are prone to damage from electrostatic discharge (ESD). Please adhere to the following instructions to ensure successful computer assembly.
- Ensure that all components are securely connected. Loose connections may cause the computer to not recognize a component or fail to start.
- Hold the motherboard by the edges to avoid touching sensitive components.
- It is recommended to wear an electrostatic discharge (ESD) wrist strap when handling the motherboard to prevent electrostatic damage. If an ESD wrist strap is not available, discharge yourself of static electricity by touching another metal object before handling the motherboard.
- Store the motherboard in an electrostatic shielding container or on an anti-static pad whenever the motherboard is not installed.
- Before turning on the computer, ensure that there are no loose screws or metal components on the motherboard or anywhere within the computer case.
- Do not boot the computer before installation is completed. This could cause permanent damage to the components as well as injury to the user.
- If you need help during any installation step, please consult a certified computer technician.
- Always turn off the power supply and unplug the power cord from the power outlet before installing or removing any computer component.
- Keep this user guide for future reference.
- Keep this motherboard away from humidity.
- Make sure that your electrical outlet provides the same voltage as is indicated on the PSU, before connecting the PSU to the electrical outlet.
- Place the power cord such a way that people can not step on it. Do not place anything over the power cord.
- All cautions and warnings on the motherboard should be noted.
- If any of the following situations arises, get the motherboard checked by service personnel:
 - Liquid has penetrated into the computer.
 - The motherboard has been exposed to moisture.
 - The motherboard does not work well or you can not get it work according to user guide.
 - The motherboard has been dropped and damaged.
 - The motherboard has obvious sign of breakage.
- Do not leave this motherboard in an environment above 60°C (140°F), it may damage the motherboard.

Case stand-off notification

To prevent damage to the motherboard, any unnecessary mounting stand-off between the motherboard circuits and the computer case is prohibited. The Case standoff keep out zone signs will be marked on the backside of motherboard (as shown below) to serve as a warning to user.

Avoid collision notification

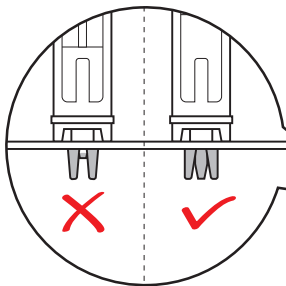
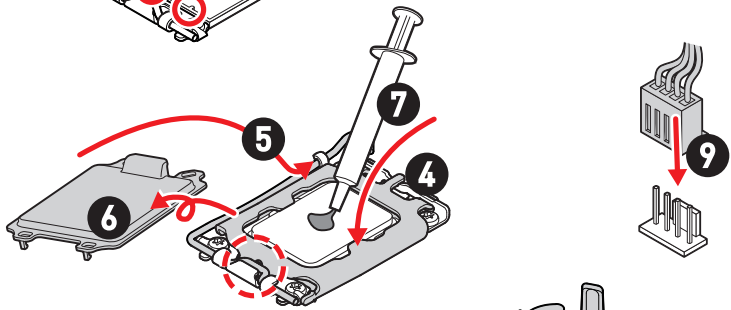
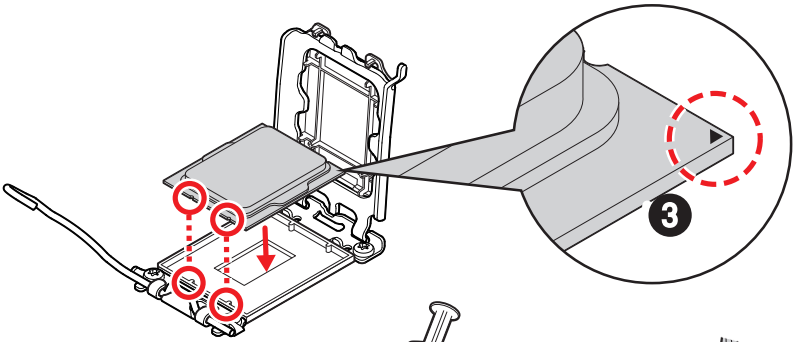
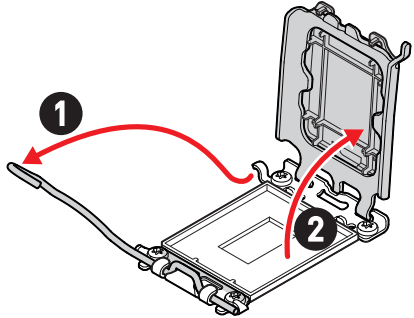
Protective paint is printed around each screw hole to prevent parts from being scratched.



Installing a Processor



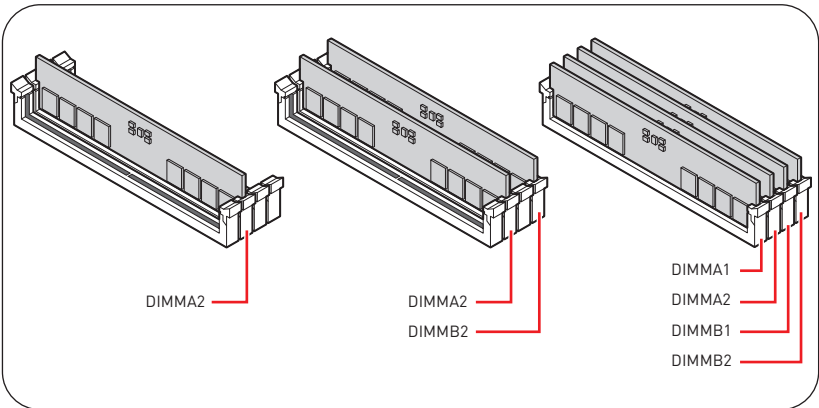
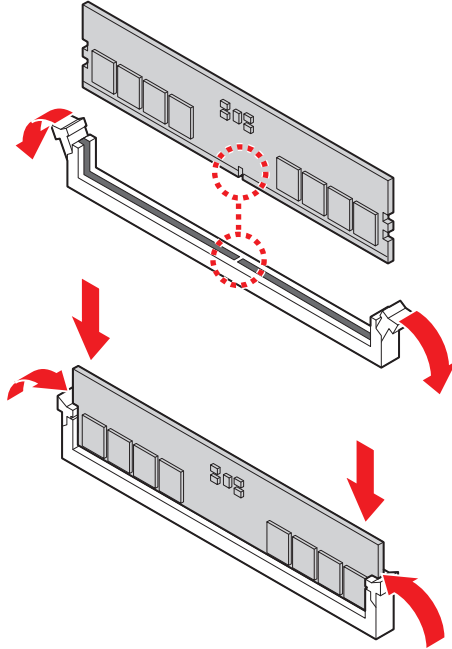
• <https://youtu.be/KMf9oIDsGes>



Installing DDR5 memory



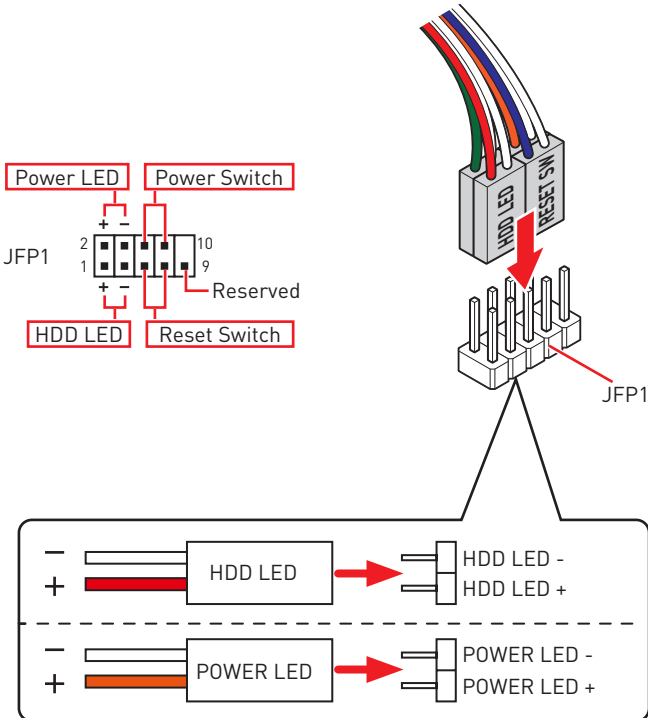
- <https://youtu.be/XiNmKDNZcZk>



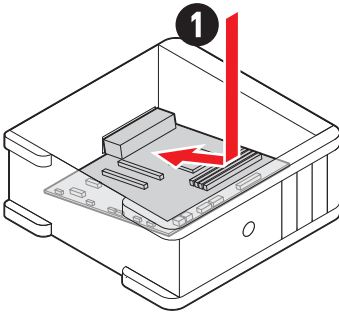
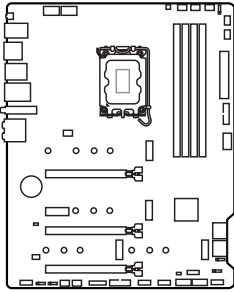
Connecting the Front Panel Header



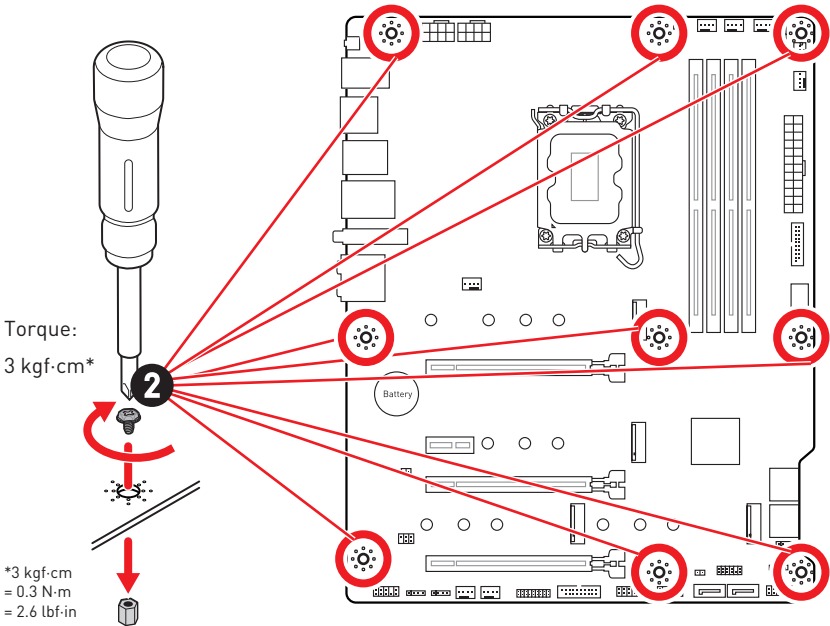
- <http://youtu.be/DPELIdVNZUI>



Installing the Motherboard



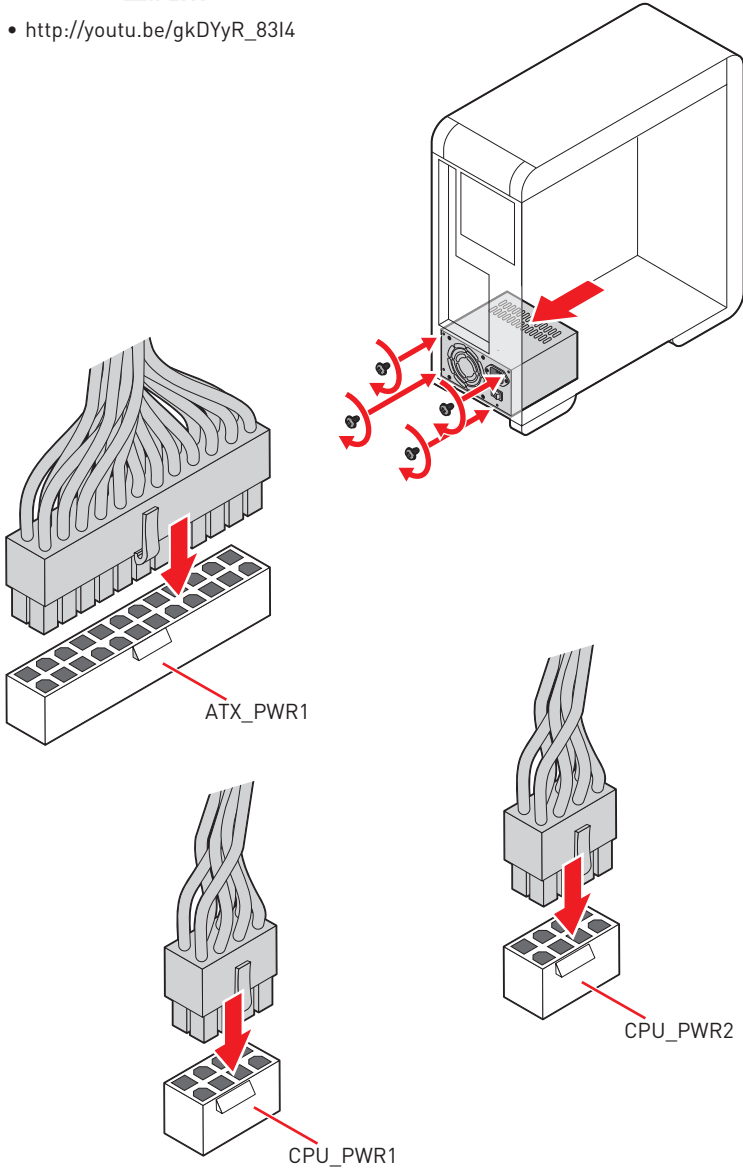
• <https://youtu.be/wWl6Qt51Wnc>



Connecting the Power Connectors



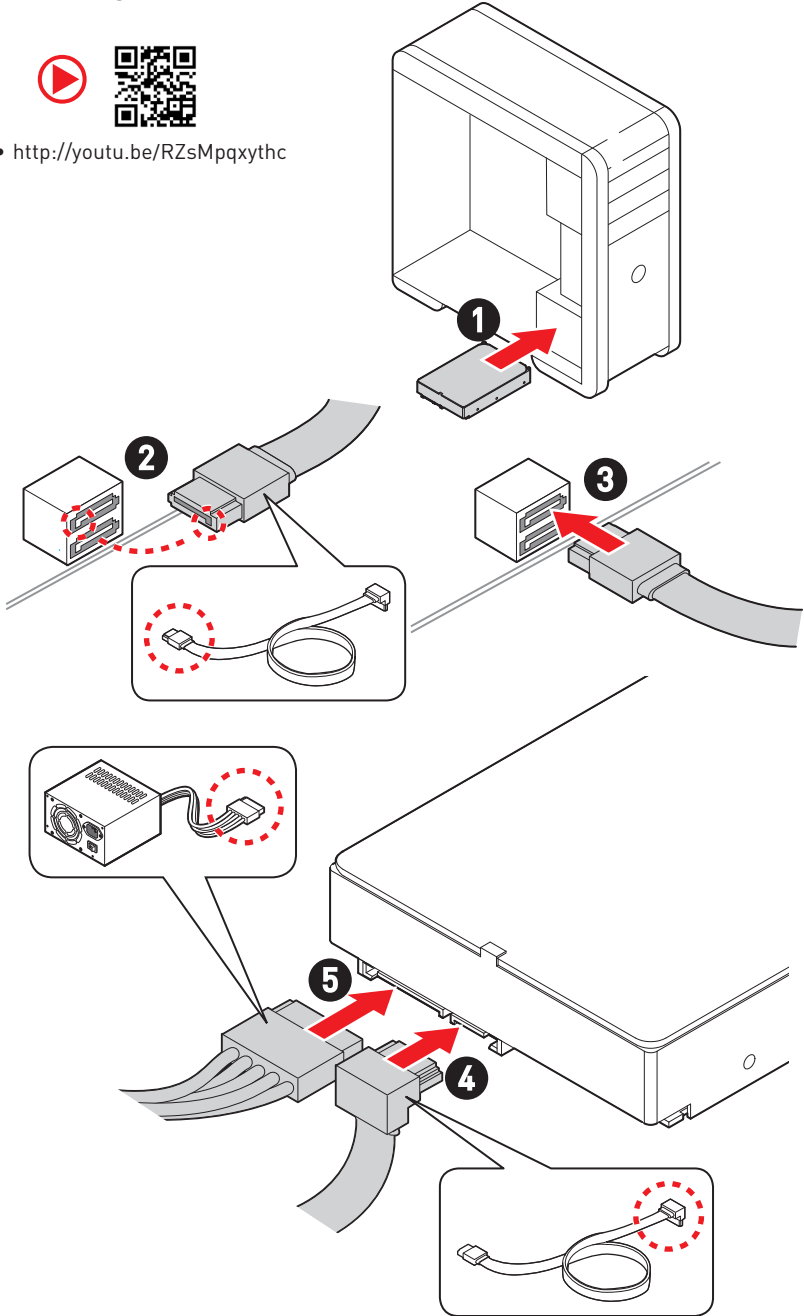
• http://youtu.be/gkDYyR_83I4



Installing SATA Drives



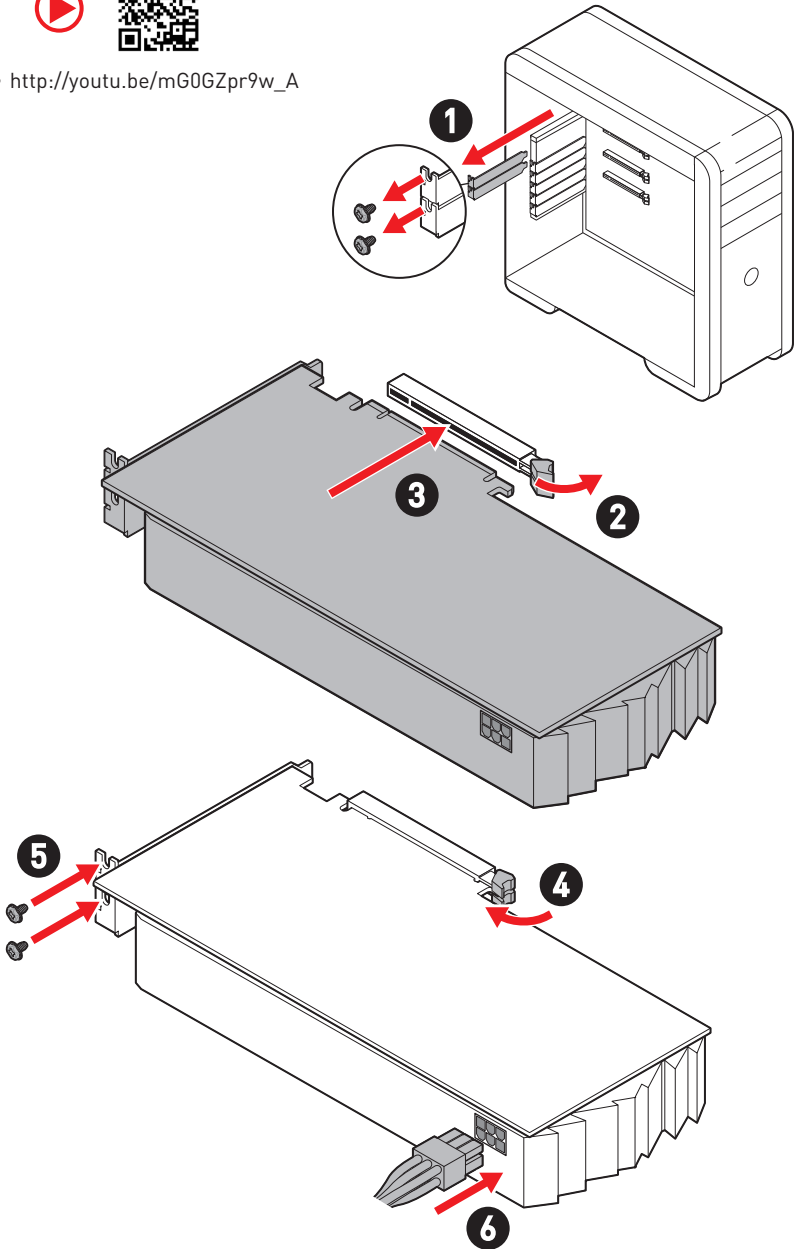
• <http://youtu.be/RZsMpqxythc>



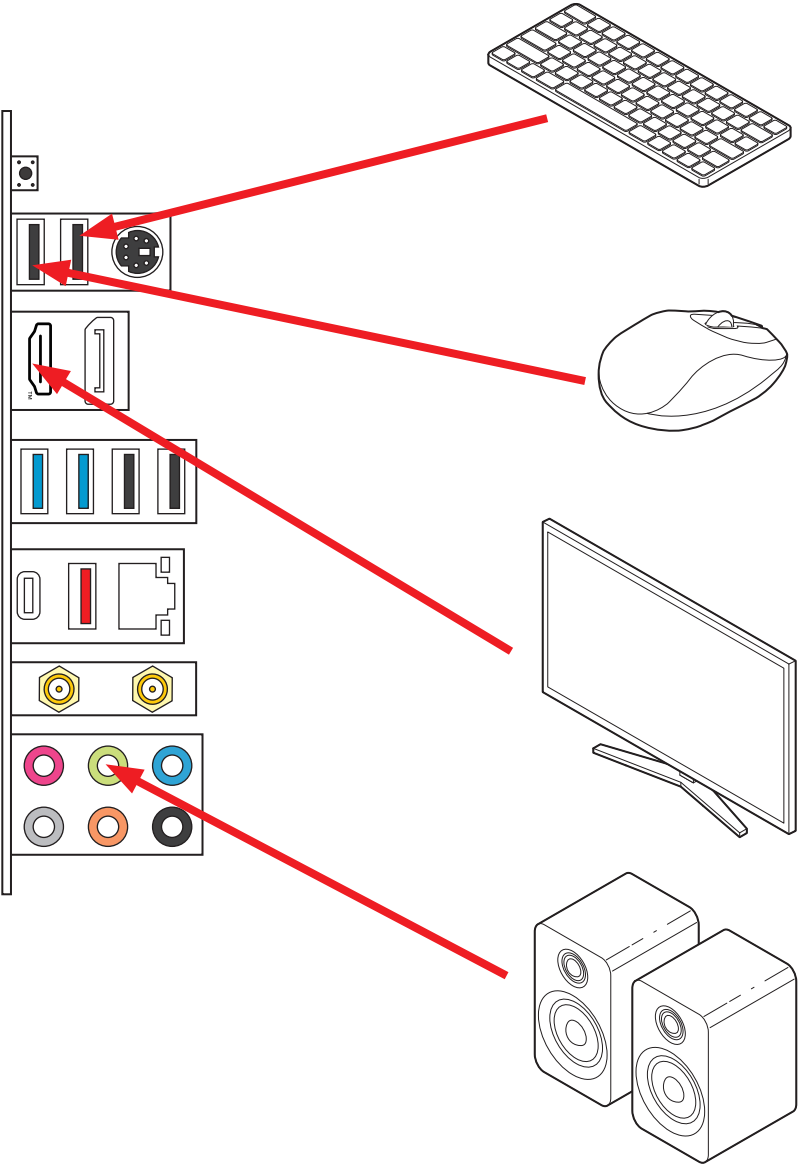
Installing a Graphics Card



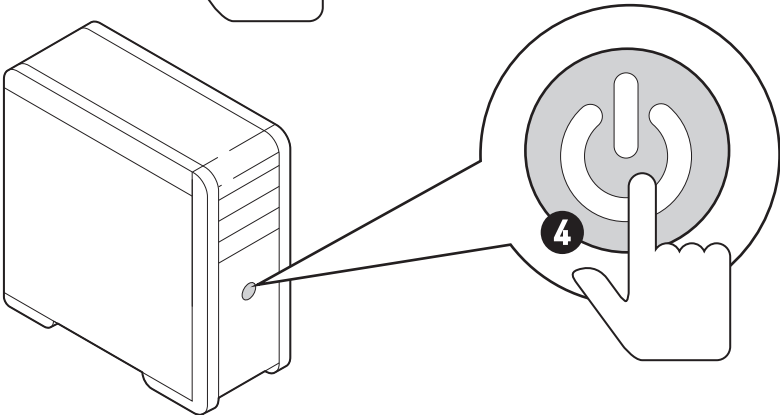
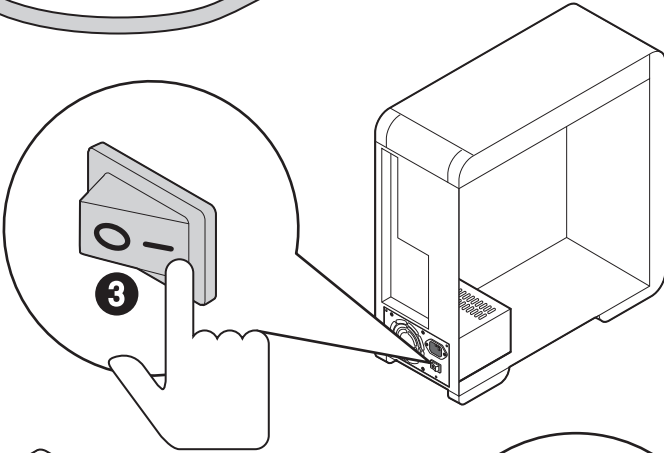
• http://youtu.be/mG0GZpr9w_A



Connecting Peripheral Devices



Power On



Specifications

CPU	<ul style="list-style-type: none"> • Supports Intel® Core™ 14th/ 13th/ 12th Gen Processors, Intel® Pentium® Gold and Celeron® Processors* • Processor socket LGA1700 <p>* Please go to www.msi.com to get the newest support status as new processors are released.</p>
Chipset	Intel® Z790 Chipset
Memory	<ul style="list-style-type: none"> • 4x DDR5 memory slots, supporting up to 192GB* • Supports 1R 5600 MHz (by JEDEC & POR) • Max. overclocking frequency: <ul style="list-style-type: none"> • 1DPC 1R Max speed up to 7200+ MHz • 1DPC 2R Max speed up to 6600+ MHz • 2DPC 1R Max speed up to 6400+ MHz • 2DPC 2R Max speed up to 5600+ MHz • Supports Intel® XMP 3.0 OC • Supports Dual-Controller Dual-Channel mode • Supports non-ECC, un-buffered memory <p>* Please refer to www.msi.com for more information on compatible memory.</p>
Expansion Slots	<ul style="list-style-type: none"> • 3x PCIe x16 slots <ul style="list-style-type: none"> • PCI_E1 slot (From CPU) <ul style="list-style-type: none"> • Supports up to PCIe 5.0 x16 • PCI_E3 & PCI_E4 slots (From Z790 chipset) <ul style="list-style-type: none"> • PCI_E3 supports up to PCIe 4.0 x4 • PCI_E4 supports up to PCIe 3.0 x1 • 1x PCIe x1 slot (From Z790 chipset) <ul style="list-style-type: none"> • PCI_E2 supports up to PCIe 3.0 x1
Onboard Graphics	<ul style="list-style-type: none"> • 1x HDMI™ 2.1 port with HDR, supports a maximum resolution of 4K 60 Hz*/ ** • 1x DisplayPort 1.4 with HBR2, supports a maximum resolution of 4K 60Hz */** <p>* Available only on processors featuring integrated graphics. ** Graphics specifications may vary depending on the CPU installed.</p>
SATA Ports	<ul style="list-style-type: none"> • 6x SATA 6Gb/s ports (From Z790 chipset)

Continued on next column

Continued from previous column

<p>M.2 SSD Slots</p>	<ul style="list-style-type: none"> • 4x M.2 slots (Key M) <ul style="list-style-type: none"> • M2_1 slot (From CPU) <ul style="list-style-type: none"> • Supports up to PCIe 4.0 x4 • Supports 2242/ 2260/ 2280/ 22110 storage devices • M2_2 slot (From Z790 chipset) <ul style="list-style-type: none"> • Supports up to PCIe 4.0 x4 • Supports 2242/ 2260/ 2280 storage devices • M2_3 slot (From Z790 chipset) <ul style="list-style-type: none"> • Supports up to PCIe 4.0 x4 • Supports SATA 6Gb/s • Supports 2242/ 2260/ 2280 storage devices • M2_4 slot (From Z790 chipset) <ul style="list-style-type: none"> • Supports up to PCIe 4.0 x4 • Supports SATA 6Gb/s • Supports 2242/ 2260/ 2280 storage devices
<p>RAID</p>	<ul style="list-style-type: none"> • Supports RAID 0, RAID 1, RAID 5 and RAID 10 for SATA storage devices • Supports RAID 0, RAID 1 , RAID 5 and RAID 10 for M.2 NVMe storage devices
<p>Audio</p>	<p>Realtek® ALC897 Codec</p> <ul style="list-style-type: none"> • 7.1-Channel High Definition Audio
<p>LAN</p>	<ul style="list-style-type: none"> • 1x Intel® 2.5Gbps LAN controller
<p>Wi-Fi & Bluetooth®</p>	<p>Intel® Wi-Fi 6E</p> <ul style="list-style-type: none"> • The Wireless module is pre-installed in the M.2 (Key-E) slot • Supports MU-MIMO TX/RX, 2.4GHz/ 5GHz/ 6GHz* (160MHz) up to 2.4Gbps • Supports 802.11 a/ b/ g/ n/ ac/ ax • Supports Bluetooth® 5.3**, FIPS, FISMA <p><small>*The usage of Wi-Fi 6GHz band relies on Windows 11 support and depends on every country's regulations.</small></p> <p><small>** The Bluetooth version may be updated, please refer to the Wi-Fi chipset vendor's website for details.</small></p>

Continued on next column

Continued from previous column

Power Connectors	<ul style="list-style-type: none">• 1x 24-pin ATX main power connector• 2x 8-pin +12V power connectors
Internal USB Connectors	<ul style="list-style-type: none">• 1x USB 3.2 Gen 2 10Gbps Type-C front panel port (From Z790 chipset)• 2x USB 3.2 Gen 1 5Gbps connector (From Z790 chipset)<ul style="list-style-type: none">• Supports additional 4 USB 3.2 Gen 1 5Gbps ports• 2x USB 2.0 connectors (From Hub-GL850G)<ul style="list-style-type: none">• Supports additional 4 USB 2.0 ports
Fan Connectors	<ul style="list-style-type: none">• 1x 4-pin CPU fan connector• 1x 4-pin water-pump fan connector• 6x 4-pin system fan connectors
System Connectors	<ul style="list-style-type: none">• 1x Front panel audio connector• 2x System panel connectors• 1x Chassis Intrusion connector• 1x TPM module connector• 1x Tuning controller connector• 1x USB4 expansion card connector (Supports RTD3)
Jumpers	<ul style="list-style-type: none">• 1x Clear CMOS jumper
LED Features	<ul style="list-style-type: none">• 4x EZ Debug LED• 2x 4-pin RGB LED connectors• 2x 3-pin A-RAINBOW V2 (ARGB Gen2) LED connectors

Continued on next column

Continued from previous column

Back Panel Connectors	<ul style="list-style-type: none">• 1x Flash BIOS button• 1x PS/2 port• 4x USB 2.0 Type-A ports (From Z790 chipset)• 1x DisplayPort• 1x HDMI™ port• 1x LAN (RJ45) jack• 2x USB 3.2 Gen 1 5Gbps Type-A ports (From Z790 chipset)• 1x USB 3.2 Gen 2 10Gbps Type-A port (From Z790 chipset)• 1x USB 3.2 Gen 2x2 20Gbps Type-C port (From Z790 chipset)• 2x Wi-Fi Antenna connectors• 6x Audio jacks
I/O Controller	NUVOTON NCT6687 Controller Chip
Hardware Monitor	<ul style="list-style-type: none">• CPU/ System/ Chipset temperature detection• CPU/ System/ Pump fan speed detection• CPU/ System/ Pump fan speed control
Form Factor	<ul style="list-style-type: none">• ATX Form Factor• 244 mm x 305 mm (9.6 in. x 12 in.)
BIOS Features	<ul style="list-style-type: none">• 1x 256 Mb flash• UEFI AMI BIOS• ACPI 6.4, SMBIOS 3.5• Multi-language
Software	<ul style="list-style-type: none">• Drivers• MSI Center• Intel Extreme Tuning Utility• CPU-Z MSI GAMING• Norton 360• AIDA64 Extreme - MSI Edition• Adobe Creative Cloud• Acrobat

Special Features

MSI Center

- Mystic Light
- Ambient Link
- Frozr AI Cooling
- User Scenario
- True Color
- Live Update
- Hardware Monitoring
- Super Charger
- Devices Speed Up
- Smart Image Finder
- MSI Companion
- System Diagnosis

Thermal Features

- Extended Heatsink Design
- M.2 Shield Frozr
- K7 MOSFET thermal pad / Extra choke pad
- Fan headers (CPU + PUMP + SYSTEM)

Performance

- Core Boost
- VRM Power Design (VCPU/ VGT/ AUX)
- Dual CPU Power
- Memory Boost
- Lightning Gen 5 PCI-E
- Lightning Gen 4 PCI-E/ M.2 Slot
- Front USB Type-C
- Server Grade PCB
- 2oz Copper thickened PCB

DIY Friendly

- PCI-E Steel Armor
- EZ M.2 Clips
- EZ DEBUG LED
- EZ LED Control
- Flash BIOS Button
- Pre-installed I/O Shield

Audio

- Audio Boost

RGB Support

- Mystic Light Extension (RGB)
- Mystic Light Extension (A-RAINBOW V2)
- Ambient Link

BIOS

- Click BIOS 5

Package Contents

Please check the contents of your motherboard package. It should contain:

Board

- 1x Motherboard

Documentation

- 1x Quick installation guide
- 1x European Union regulatory notices

Application

- 1x Driver DVD

Cables

- 2x SATA 6Gb/s cable

Accessories

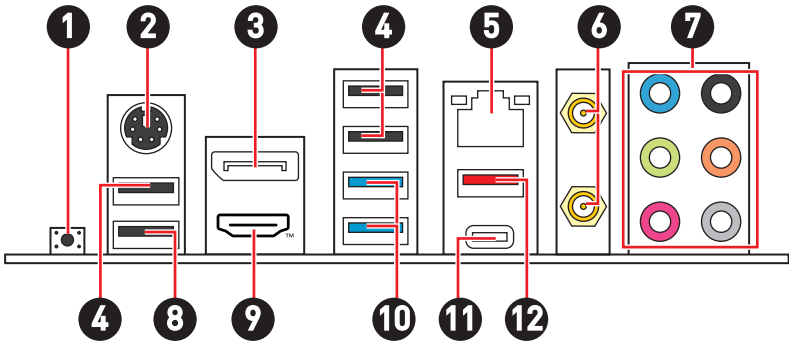
- 1x Wi-Fi antenna set
- 2x EZ M.2 clip packages (1 set/pack)
- 1x M.2 screw and standoff package (1 set/pack)



Important

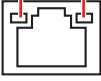
If any of the above items are damaged or missing, please contact your retailer.

Back Panel Connectors



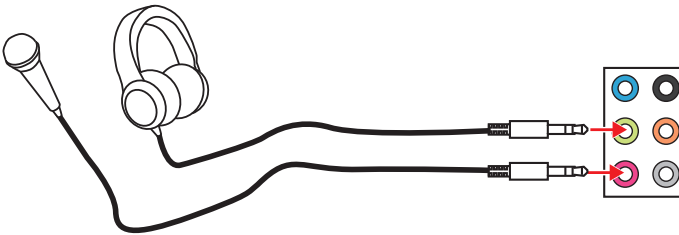
Item	Description
1	Flash BIOS button
2	PS/2 port
3	DisplayPort
4	USB 2.0 Type-A ports (From Z790 chipset)
5	2.5 Gbps LAN (RJ45) jack
6	Wi-Fi Antenna connectors
7	Audio jacks
8	USB 2.0 Type-A port (From Z790 chipset) <ul style="list-style-type: none"> • Flash BIOS Port
9	HDMI™ port HDMI™ <small>HIGH-DEFINITION MULTIMEDIA INTERFACE</small>
10	USB 3.2 Gen 1 5Gbps Type-A port (From Z790 chipset)
11	USB 3.2 Gen 2x2 20Gbps Type-C port (From Z790 chipset)
12	USB 3.2 Gen 2 10Gbps Type-A port (From Z790 chipset)

LAN Port LED Status Table

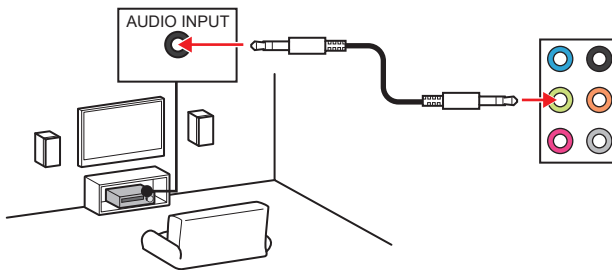
Link/ Activity LED			Speed LED	
Status	Description		Status	Speed
Off	No link	Off	10 Mbps	
Yellow	Linked	Green	100/ 1000 Mbps	
Blinking	Data activity	Orange	2.5 Gbps	

Audio Jacks Connection

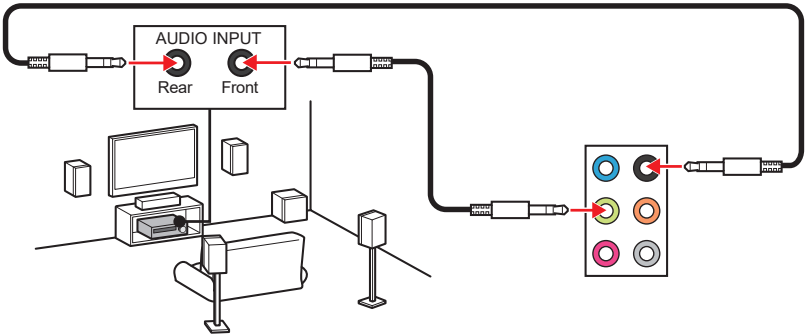
Audio jacks to headphone and microphone diagram



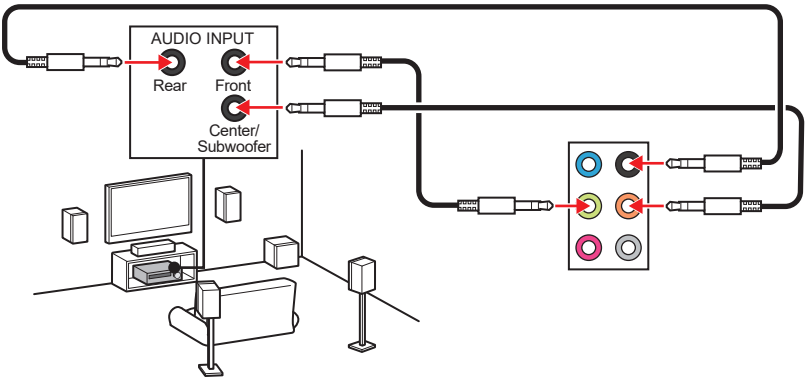
Audio jacks to stereo speakers diagram



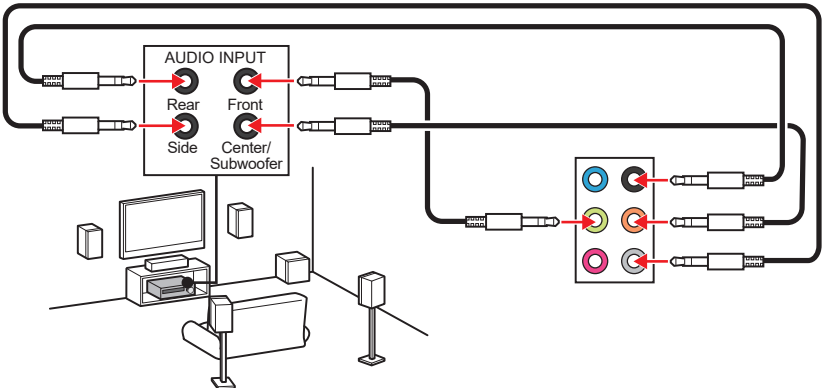
Audio jacks to 4-channel speakers diagram



Audio jacks to 5.1-channel speakers diagram

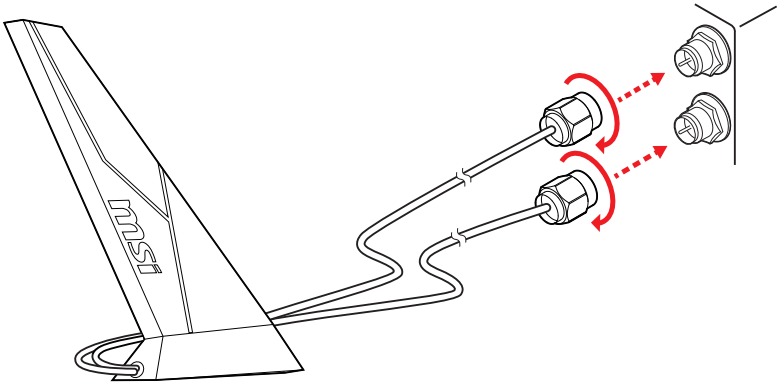


Audio jacks to 7.1-channel speakers diagram

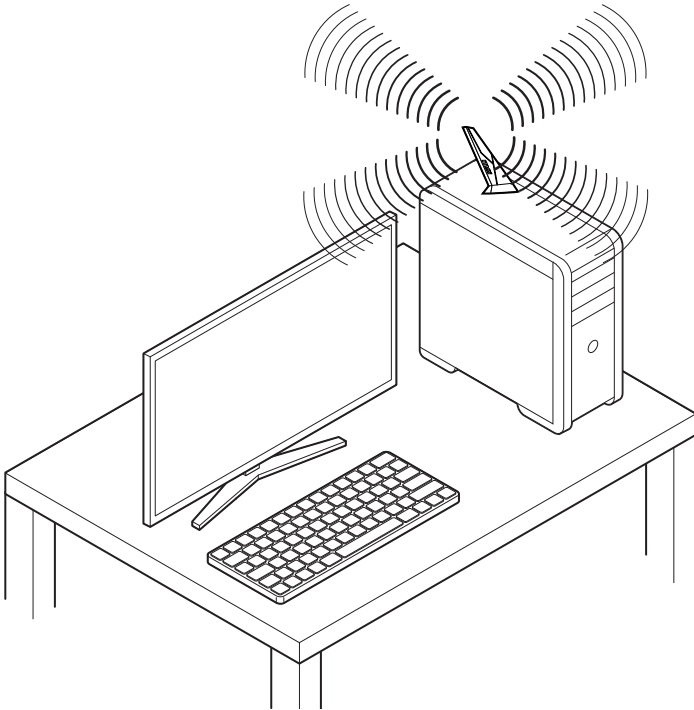


Installing Antennas

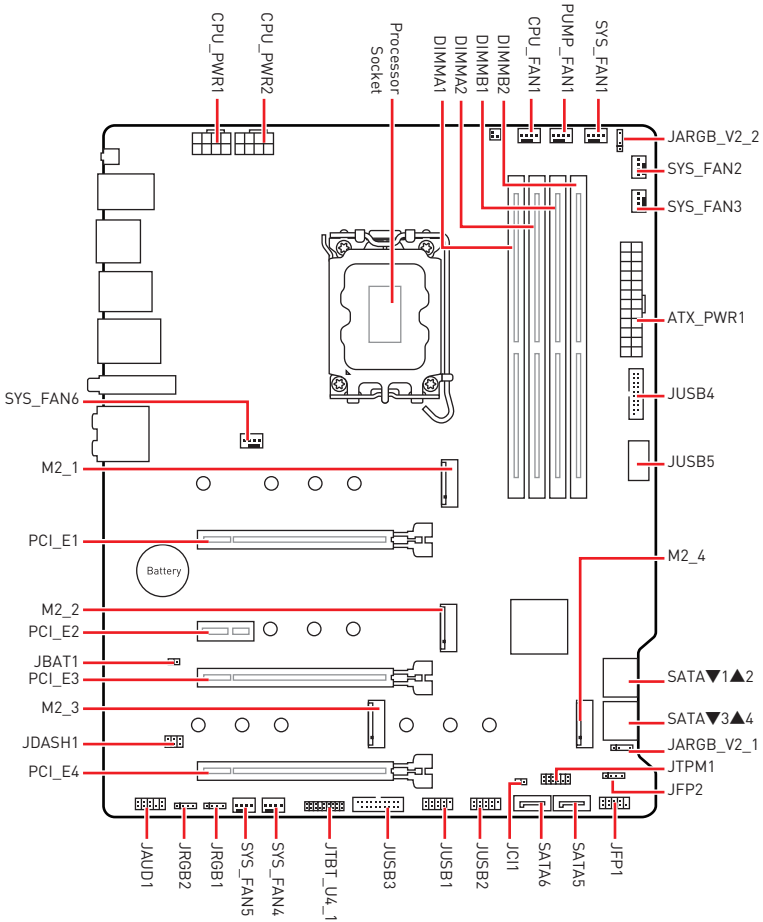
1. Screw two antenna cables tight to the Wi-Fi antenna connectors as shown.



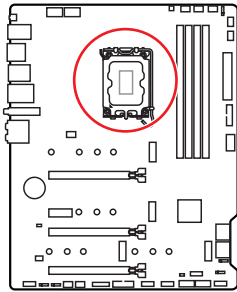
2. Place the antenna as high as possible.



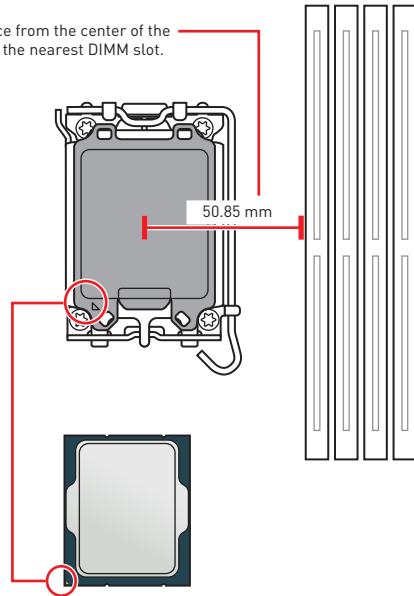
Overview of Components



CPU Socket



Distance from the center of the CPU to the nearest DIMM slot.



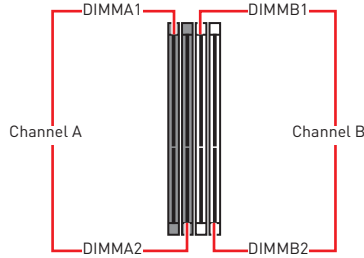
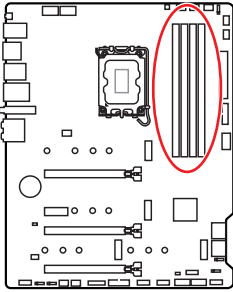
Introduction to the LGA1700 CPU

The surface of the LGA1700 CPU has four **notches** and a **golden triangle** to assist in correctly lining up the CPU for motherboard placement. The golden triangle is the Pin 1 indicator.

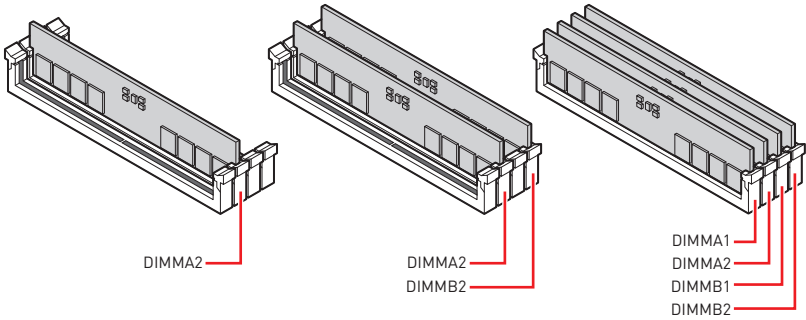
Important

- Always unplug the power cord from the power outlet before installing or removing the CPU.
- Please retain the CPU protective cap after installing the processor. MSI will deal with Return Merchandise Authorization (RMA) requests if only the motherboard comes with the protective cap on the CPU socket.
- When installing a CPU, always remember to install a CPU heatsink. A CPU heatsink is necessary to prevent overheating and maintain system stability.
- Confirm that the CPU heatsink has formed a tight seal with the CPU before booting your system.
- Overheating can seriously damage the CPU and motherboard. Always make sure the cooling fans work properly to protect the CPU from overheating. Be sure to apply an even layer of thermal paste (or thermal tape) between the CPU and the heatsink to enhance heat dissipation.
- Whenever the CPU is not installed, always protect the CPU socket pins by covering the socket with the plastic cap.
- If you purchased a separate CPU and heatsink/ cooler, Please refer to the documentation in the heatsink/ cooler package for more details about installation.
- This motherboard is designed to support overclocking. Before attempting to overclock, please make sure that all other system components can tolerate overclocking. Any attempt to operate beyond product specifications is not recommended. MSI® does not guarantee the damages or risks caused by inadequate operation beyond product specifications.

DIMM Slots



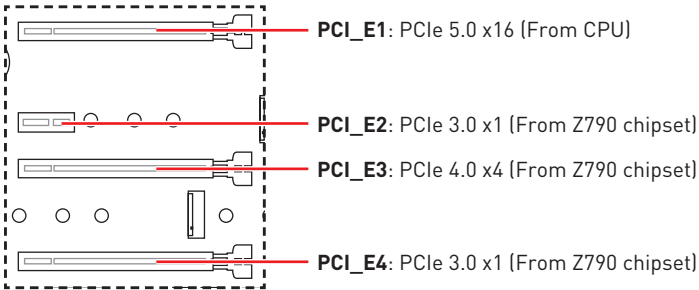
Memory module installation recommendation



Important

- Always insert memory modules in the **DIMMA2** slot first.
- To ensure system stability for Dual channel mode, memory modules must be of the same type, number and density.
- Some memory modules may operate at a lower frequency than the marked value when overclocking due to the memory frequency operates dependent on its Serial Presence Detect (SPD). Go to BIOS and find the **DRAM Frequency** to set the memory frequency if you want to operate the memory at the marked or at a higher frequency.
- It is recommended to use a more efficient memory cooling system for full DIMMs installation or overclocking.
- The stability and compatibility of installed memory module depend on installed CPU and devices when overclocking.
- Please refer to www.msi.com for more information on compatible memory.

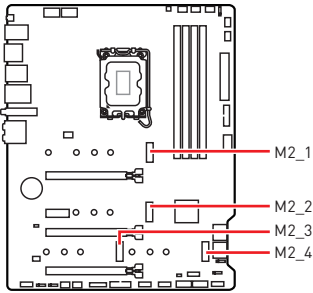
PCI_E1~4: PCIe Expansion Slots



Important

- If you install a large and heavy graphics card, you need to use a tool such as **MSI Graphics Card Bolster** to support its weight to prevent deformation of the slot.
- For a single PCIe x16 expansion card installation with optimum performance, using the **PCI_E1** slot is recommended.
- When adding or removing expansion cards, always turn off the power supply and unplug the power supply power cable from the power outlet. Read the expansion card's documentation to check for any necessary additional hardware or software changes.

M2_1~4: M.2 Slots (Key M)

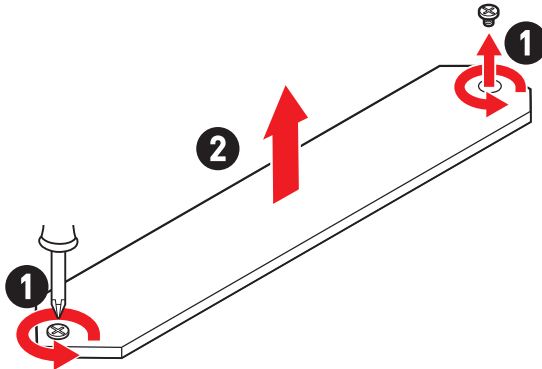


Important

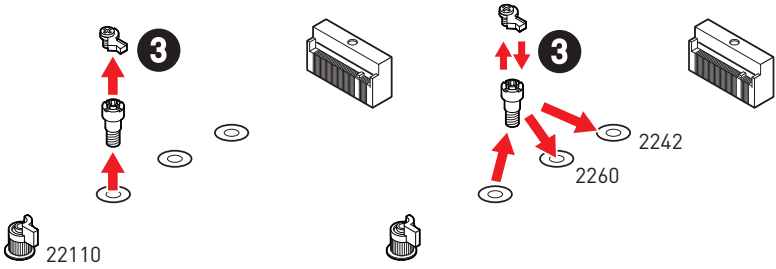
- Intel® RST only supports PCIe M.2 SSD with UEFI ROM.
- If your M.2 SSD equips its own heatsink, please remove the M.2 rubber cube in the M.2 slot before installing M.2 SSD. Do not re-install the heatsink supplied with your motherboard.

Installing M.2 module into M2_1 slot

1. Loosen the screws of M.2 Shield Frozr heatsink.
2. Lift the M.2 Shield Frozr heatsink up and remove it.

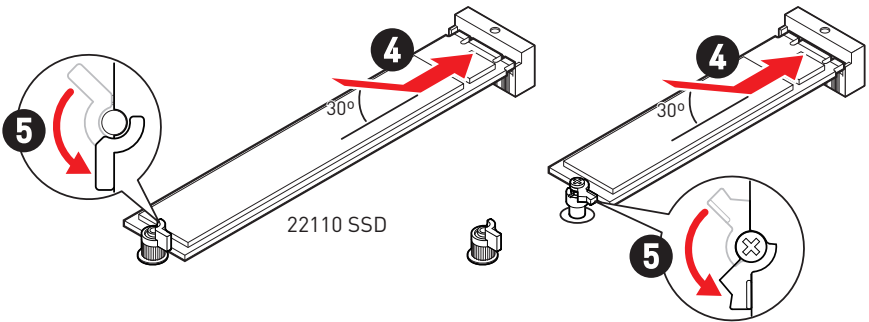


3. Remove or exchange the screws according to your SSD length. Skip this step, if you install 2280 SSD.

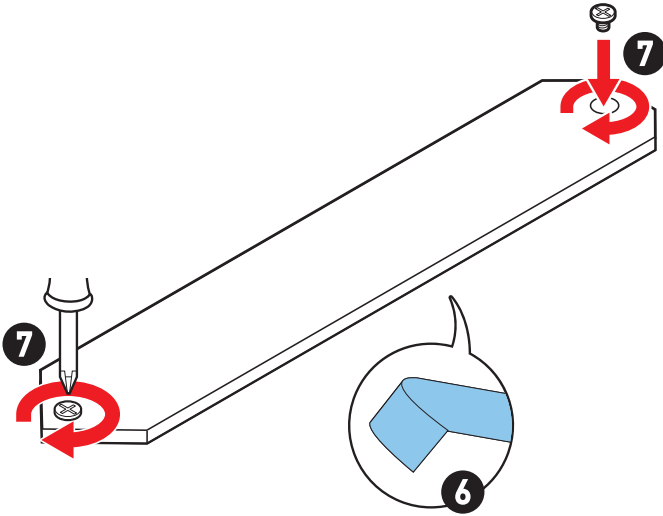


4. Insert your M.2 SSD into the M.2 slot at a 30-degree angle.

5. Rotate the EZ M.2 Clip to fix the M.2 SSD.

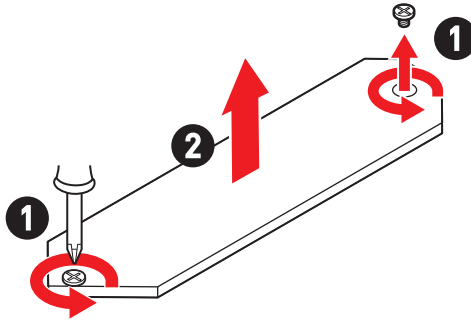


6. Remove the protective film from the thermal pad under the M.2 Shield Frozr heatsink.
7. Put the M.2 Shield Frozr heatsink back in place and secure it.

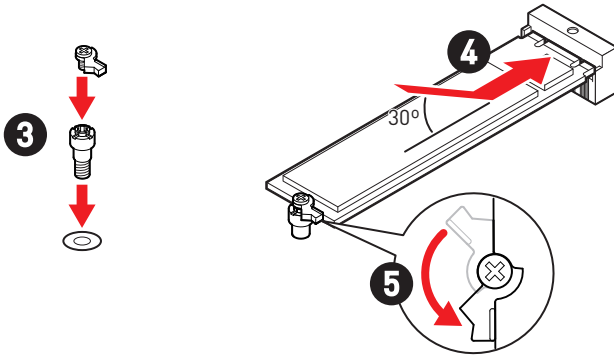


Installing M.2 module into M2_2 slot

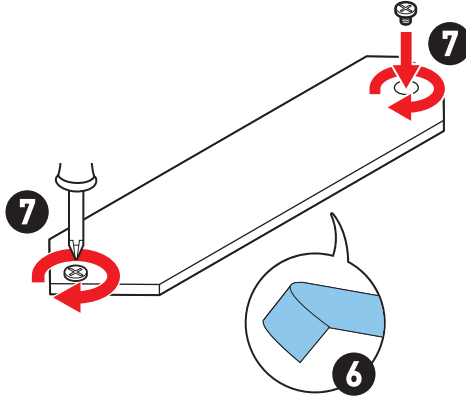
1. Loosen the screws of M.2 Shield Frozr heatsink.
2. Lift the M.2 Shield Frozr heatsink up and remove it.



3. Please install the supplied EZ M.2 Clip kit according to your SSD length. Skip this step, if you install 2280 SSD.
4. Insert your M.2 SSD into the M.2 slot at a 30-degree angle.
5. Rotate the EZ M.2 Clip to fix the M.2 SSD. Skip this step, if you install 2280 SSD.

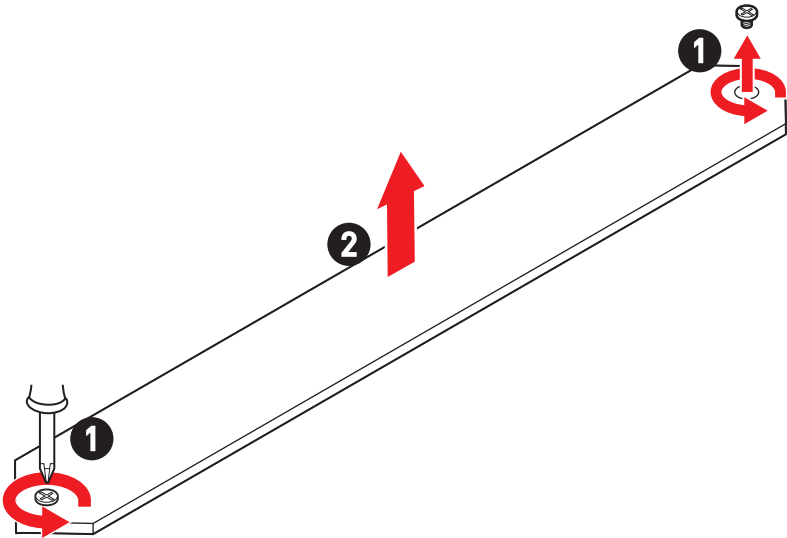


6. Remove the protective film from the thermal pad under the M.2 Shield Frozr heatsink.
7. Put the M.2 Shield Frozr heatsink back in place and secure it.

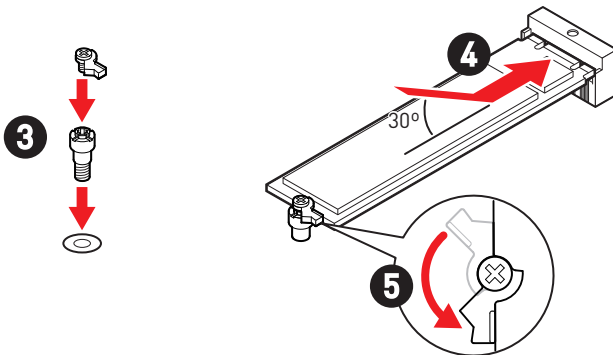


Installing M.2 module into M2_3 slot

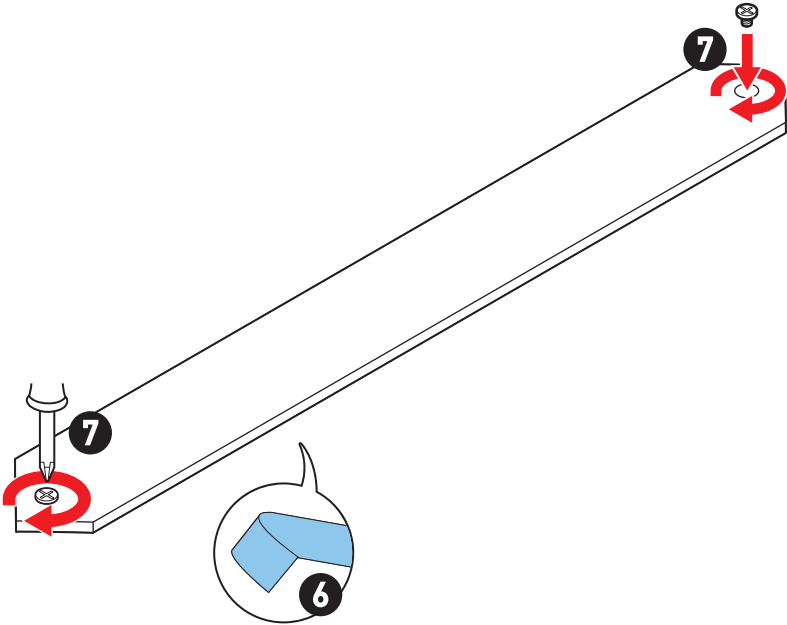
1. Loosen the screws of M.2 Shield Frozr heatsink.
2. Lift the M.2 Shield Frozr heatsink up and remove it.



3. Please install the supplied EZ M.2 Clip kit according to your SSD length. Skip this step, if you install 2280 SSD.
4. Insert your M.2 SSD into the M.2 slot at a 30-degree angle.
5. Rotate the EZ M.2 Clip to fix the M.2 SSD.

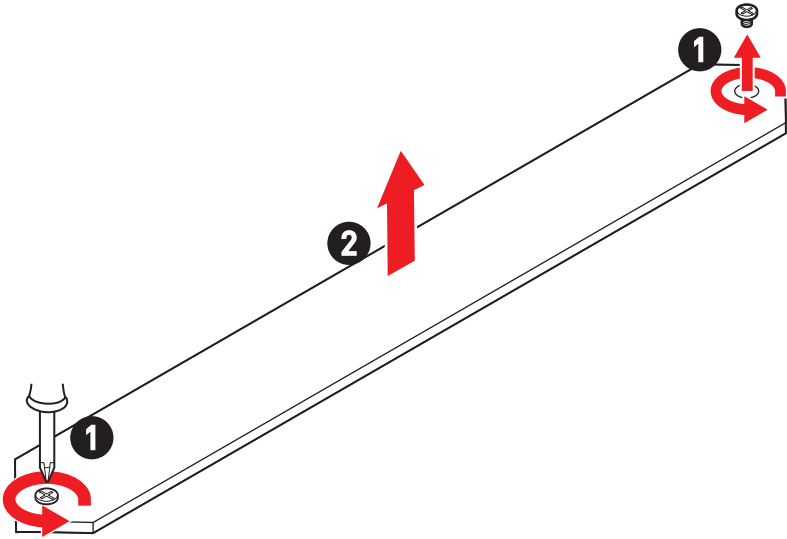


6. Remove the protective film from the thermal pad under the M.2 Shield Frozr heatsink.
7. Put the M.2 Shield Frozr heatsink back in place and secure it.

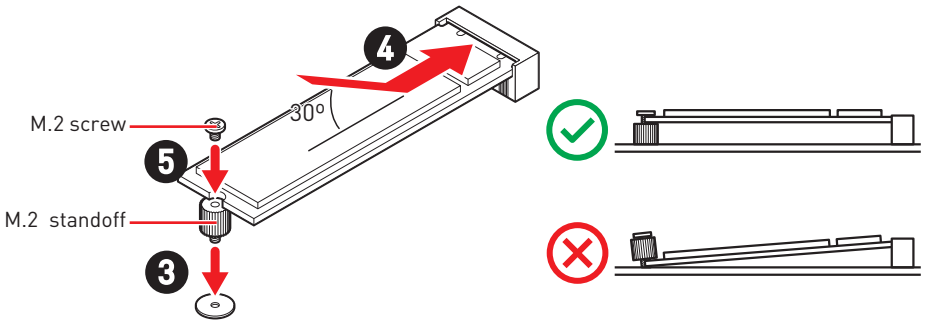


Installing M.2 module into M2_4 slot

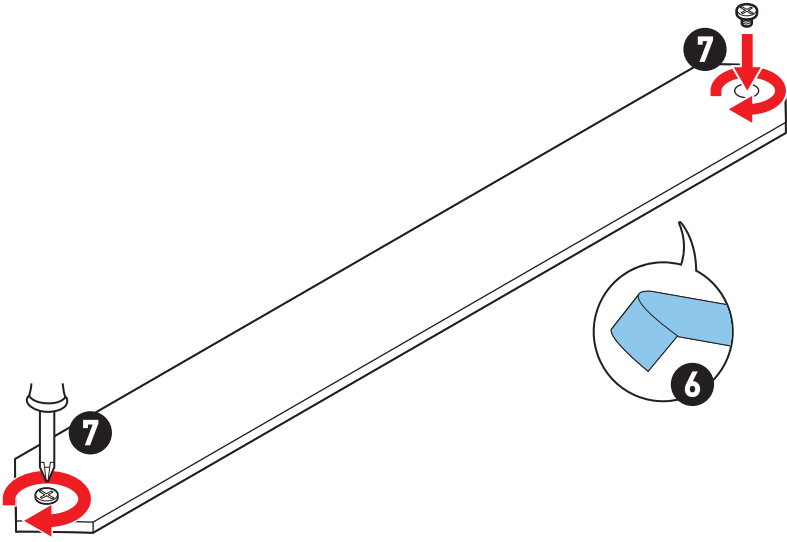
1. Loosen the screws of M.2 Shield Frozr heatsink.
2. Lift the M.2 Shield Frozr heatsink up and remove it.



3. Please install the supplied M.2 standoff according to your SSD length.
4. Insert your M.2 SSD into the M.2 slot at a 30-degree angle.
5. Secure the M.2 SSD in place with the supplied M.2 screw.

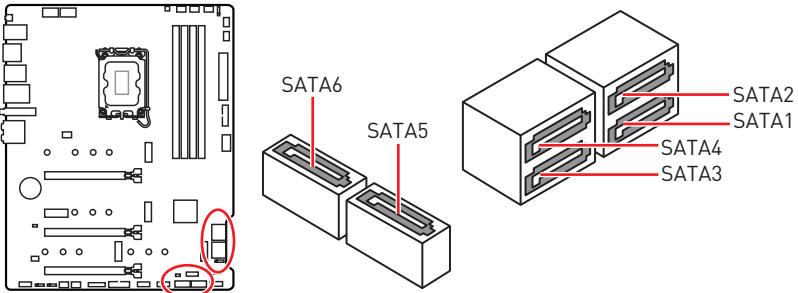


6. Remove the protective film from the thermal pad under the M.2 Shield Frozr heatsink.
7. Put the M.2 Shield Frozr heatsink back in place and secure it.



SATA1~6: SATA 6Gb/s Connectors

These connectors are SATA 6Gb/s interface ports. Each connector can connect to one SATA device.

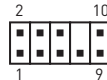
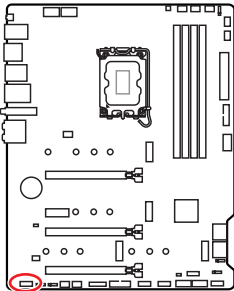


Important

- Please do not fold the SATA cable at a 90-degree angle. Data loss may result during transmission otherwise.
- SATA cables have identical plugs on either sides of the cable. However, it is recommended that the flat connector be connected to the motherboard for space saving purposes.

JAUD1: Front Audio Connector

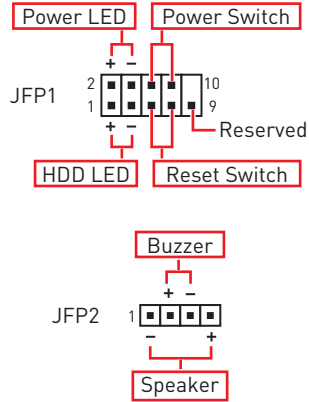
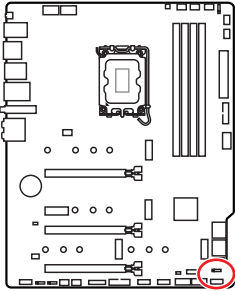
This connector allows you to connect audio jacks on the front panel.



Pin	Signal Name	Pin	Signal Name
1	MIC L	2	Ground
3	MIC R	4	NC
5	Head Phone R	6	MIC Detection
7	SENSE_SEND	8	No Pin
9	Head Phone L	10	Head Phone Detection

JFP1, JFP2: Front Panel Connectors

The JFP1 connector controls the power on, power reset, and the LEDs on your PC case/chassis. Power Switch/ Reset Switch headers allow you to connect power button/ reset button. Power LED header connects to LED light on the PC case, and HDD LED header indicates the activity of the hard disk. The JFP2 connector is for Buzzer and Speaker. To connect the cables from PC case to the right pins, please refer to the following images below.

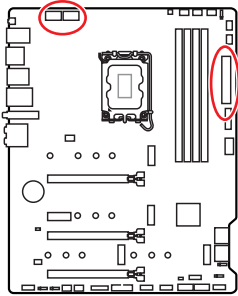


Important

Please note that Power LED and HDD LED have positive and negative connection, you need to link up the cable to the corresponding positive and negative port on the motherboard. Otherwise, LEDs won't work properly.

CPU_PWR1~2, ATX_PWR1: Power Connectors

These connectors allow you to connect an ATX power supply.

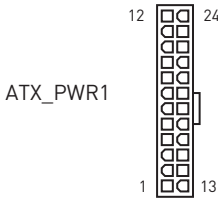
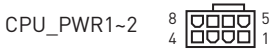


CPU_PWR1~2

Pin	Signal Name	Pin	Signal Name
1	Ground	2	Ground
3	Ground	4	Ground
5	+12V	6	+12V
7	+12V	8	+12V

ATX_PWR1

Pin	Signal Name	Pin	Signal Name
1	+3.3V	2	+3.3V
3	Ground	4	+5V
5	Ground	6	+5V
7	Ground	8	PWR OK
9	5VSB	10	+12V
11	+12V	12	+3.3V
13	+3.3V	14	-12V
15	Ground	16	PS-ON#
17	Ground	18	Ground
19	Ground	20	Res
21	+5V	22	+5V
23	+5V	24	Ground

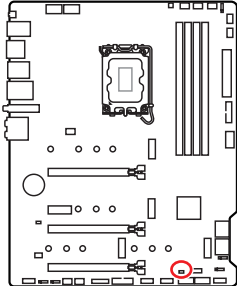


Important

Make sure that all the power cables are securely connected to a proper ATX power supply to ensure stable operation of the motherboard.

JCI1: Chassis Intrusion Connector

This connector allows you to connect the chassis intrusion switch cable.



Normal
(default)



Trigger the chassis
intrusion event

Using chassis intrusion detector

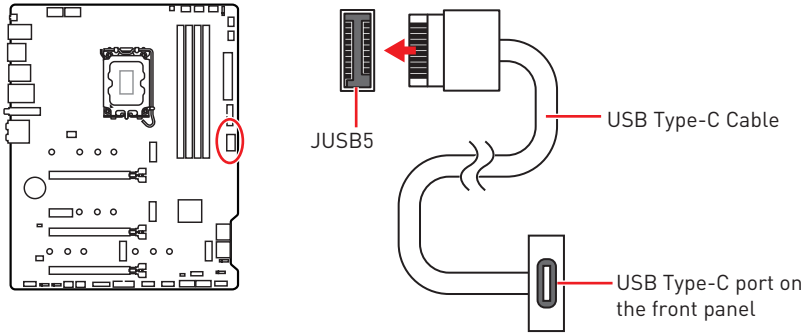
1. Connect the **JCI1** connector to the chassis intrusion switch/ sensor on the chassis.
2. Close the chassis cover.
3. Go to **BIOS > SETTINGS > Security > Chassis Intrusion Configuration**.
4. Set **Chassis Intrusion** to **Enabled**.
5. Press **F10** to save and exit and then press the **Enter** key to select **Yes**.
6. Once the chassis cover is opened again, a warning message will be displayed on screen when the computer is turned on.

Resetting the chassis intrusion warning

1. Go to **BIOS > SETTINGS > Security > Chassis Intrusion Configuration**.
2. Set **Chassis Intrusion** to **Reset**.
3. Press **F10** to save and exit and then press the **Enter** key to select **Yes**.

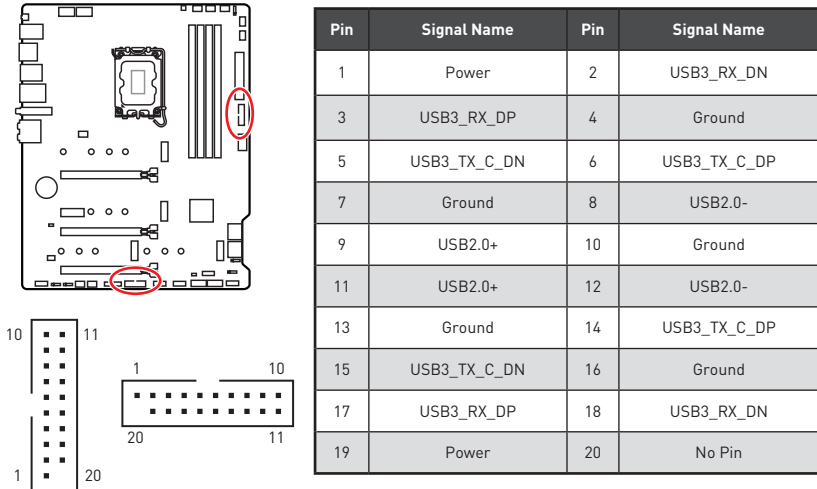
JUSB5: USB 3.2 Gen 2 Type-C Front Panel Connector

This connector allows you to connect USB 3.2 Gen 2 10Gbps Type-C connectors on the front panel. The connectors possess a foolproof design. When you connect the cable, be sure to connect it with the corresponding orientation.



JUSB3~4: USB 3.2 Gen 1 Connectors

These connectors allow you to connect USB 3.2 Gen 1 5Gbps ports on the front panel.

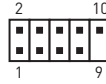
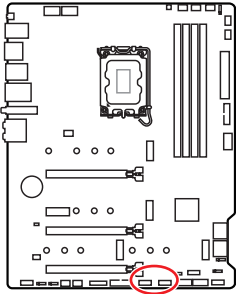


Important

Note that the Power and Ground pins must be connected correctly to avoid possible damage.

JUSB1~2: USB 2.0 Connectors

These connectors allow you to connect USB 2.0 ports on the front panel.



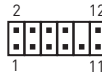
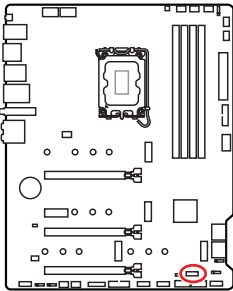
Pin	Signal Name	Pin	Signal Name
1	VCC	2	VCC
3	USB0-	4	USB1-
5	USB0+	6	USB1+
7	Ground	8	Ground
9	No Pin	10	NC

Important

- Note that the VCC and Ground pins must be connected correctly to avoid possible damage.
- In order to recharge your iPad, iPhone and iPod through USB ports, please install MSI Center utility.

JTPM1: TPM Module Connector

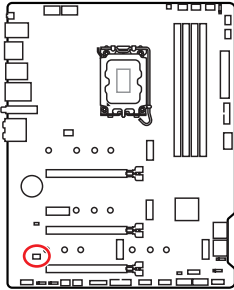
This connector is for TPM (Trusted Platform Module). Please refer to the TPM security platform manual for more details and usages.



Pin	Signal Name	Pin	Signal Name
1	SPI Power	2	SPI Chip Select
3	Master In Slave Out (SPI Data)	4	Master Out Slave In (SPI Data)
5	Reserved	6	SPI Clock
7	Ground	8	SPI Reset
9	Reserved	10	No Pin
11	Reserved	12	Interrupt Request

JDASH1 : Tuning Controller connector

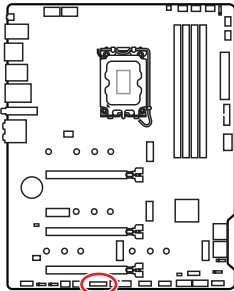
This connector is used to connect an optional Tuning Controller module.



Pin	Signal Name	Pin	Signal Name
1	No Pin	2	NC
3	MCU_SMB_SCL_M	4	MCU_SMB_SDA_M
5	VCC5	6	Ground

JTBT_U4_1: USB4 Expansion Card Connector

This connector allows you to connect MSI USB4 PD100W Expansion Card.



Pin	Signal Name	Pin	Signal Name
1	TBT_Force_PWR	2	TBT_S0IX_Entry_REQ
3	TBT_CIO_Plug_Event#	4	TBT_S0IX_Entry_ACK
5	SLP_S3#_TBT	6	TBT_PSON_Override_N
7	SLP_S5#_TBT	8	Net Name
9	Ground	10	SMBCLK_VSB
11	DG_PEWake	12	SMBDATA_VSB
13	TBT_RTD3_PWR_EN	14	Ground
15	TBT_Card_DET_R#	16	PD_IRQ#
17	GPP_C22	18	GPP_E3

CPU_FAN1, PUMP_FAN1, SYS_FAN1~6: Fan Connectors

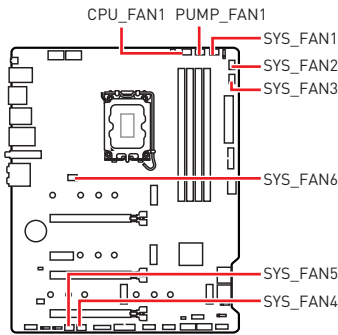
Fan connectors can be classified as PWM (Pulse Width Modulation) Mode or DC Mode. PWM Mode fan connectors provide constant 12V output and adjust fan speed with speed control signal. DC Mode fan connectors control fan speed by changing voltage. The auto mode fan connectors can automatically detect PWM and DC mode.

You can control fans in **BIOS> HARDWARE MONITOR** panel. It allows you to set DC or PWM to your fan type. Check the **Smart Fan Mode**, the fan speed will change according to the CPU or system temperature. Uncheck the **Smart Fan Mode**, the fan will spin at maximum speed.



Important

Make sure fans are working properly after switching the PWM/ DC mode.



PWM Mode pin definition

Pin	Signal Name	Pin	Signal Name
1	Ground	2	+12V
3	Sense	4	Speed Control Signal

DC Mode pin definition

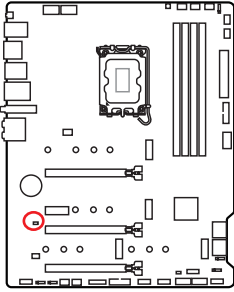
Pin	Signal Name	Pin	Signal Name
1	Ground	2	Voltage Control
3	Sense	4	NC

Fan connector specifications

Connector	Default fan mode	Max. current	Max. power
CPU_FAN1	Auto mode	2A	24W
PUMP_FAN1	PWM mode	3A	36W
SYS_FAN1~6	DC mode	1A	12W

JBAT1: Clear CMOS (Reset BIOS) Jumper

There is CMOS memory onboard that is external powered from a battery located on the motherboard to save system configuration data. If you want to clear the system configuration, set the jumpers to clear the CMOS memory.



Keep Data
(default)



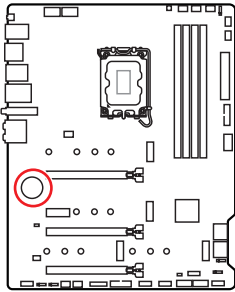
Clear CMOS/
Reset BIOS

Resetting BIOS to default values

1. Power off the computer and unplug the power cord.
2. Use a jumper cap to short **JBAT1** for about 5-10 seconds.
3. Remove the jumper cap from **JBAT1**.
4. Plug the power cord and Power on the computer.

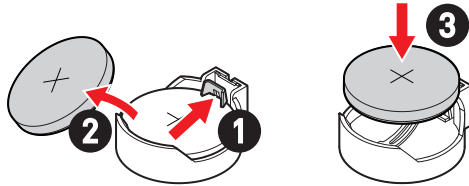
BAT1: CMOS Battery

If the CMOS battery is out of charge, the time in the BIOS will be reset and the data of system configuration will be lost. In this case, you need to replace the CMOS battery.



Replacing CMOS battery

1. Push the retainer clip to free the battery.
2. Remove the battery from the socket.
3. Install the new CR2032 coin-cell battery with the + sign facing up. Ensure that the retainer holds the battery securely.



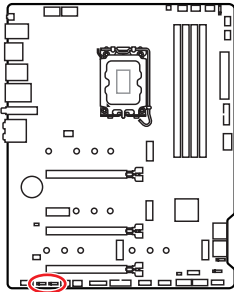
WARNING

KEEP OUT OF REACH OF CHILDREN

- Swallowing can lead to chemical burns, perforation of soft tissue, can death.
- Severe burns can occur within 2 hours of ingestion.
- If you think batteries might have been swallowed or placed inside any part of the body, seek immediate medical attention.

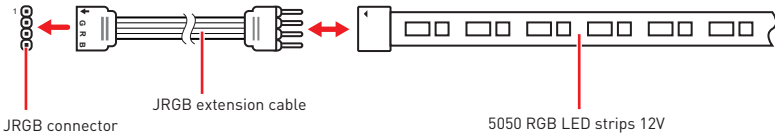
JRGB1~2: RGB LED connector

The JRGB connectors allow you to connect the 5050 RGB LED strips 12V.

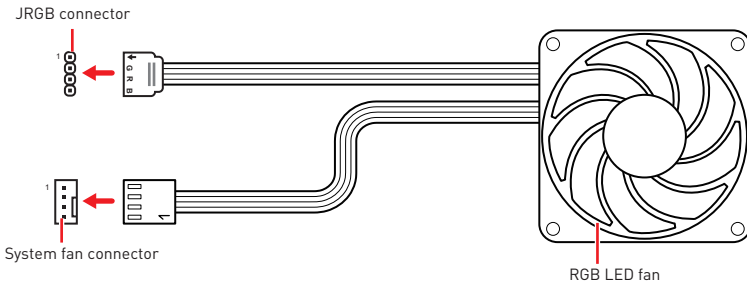


Pin	Signal Name	Pin	Signal Name
1	+12V	2	G
3	R	4	B

RGB LED Strip Connection



RGB LED Fan Connection

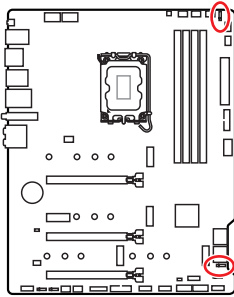


Important

- The JRGB connector supports up to 2 meters continuous 5050 RGB LED strips (12V/G/R/B) with the maximum power rating of 3A (12V).
- Always turn off the power supply and unplug the power cord from the power outlet before installing or removing the RGB LED strip.
- Please use MSI's software to control the extended LED strip.

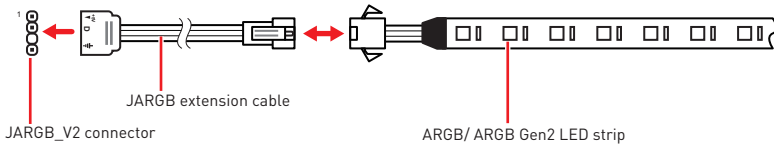
JARGB_V2_1~2: A-RAINBOW V2 (ARGB Gen2) LED connectors

The JARGB_V2 connectors allow you to connect the ARGB Gen2 and the ARGB-based LED strips. The JARGB_V2 connector supports up to 240 individually addressable RGB LEDs with maximum power rating of 3A (5V).

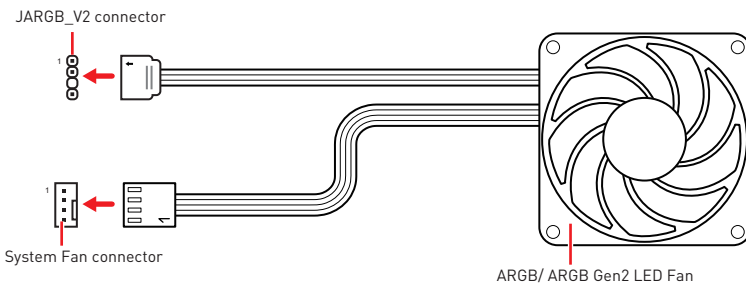


Pin	Signal Name	Pin	Signal Name
1	+5V	2	Data
3	No Pin	4	Ground

Addressable RGB LED Strip Connection



Addressable RGB LED Fan Connection



CAUTION

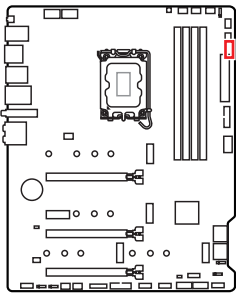
Do not connect the wrong type of LED strips. The JRGB connector and the JARGB_V2 connector provide different voltages, and connecting the ARGB 5V LED strip to the JRGB connector will result in damage to the LED strip.





Important

- We strongly recommend that you install LED strips with the same specification to achieve the best effects.
- Always turn off the power supply and unplug the power cord from the power outlet before installing or removing the addressable RGB LED strip.
- Please use MSI's software to control the extended LED strip.

EZ Debug LED

These LEDs indicate the debug status of the motherboard.



LED Color	Status
Red 	CPU is not detected or fail
Yellow 	DRAM is not detected or fail
White 	GPU is not detected or fail
Green 	Booting device is not detected or fail

Installing OS, Drivers & MSI Center

Please download and update the latest utilities and drivers at www.msi.com

Installing Windows 10 / Windows 11

1. Power on the computer.
2. Insert the Windows 10 / Windows 11 installation disc/USB into your computer.
3. Press the **Restart** button on the computer case.
4. Press **F11** key during the computer POST (Power-On Self Test) to get into Boot Menu.
5. Select the Windows 10 / Windows 11 installation disc/USB from the Boot Menu.
6. Press any key if screen shows **Press any key to boot from CD or DVD...** message. If not, please skip this step.
7. Follow the instructions on the screen to install Windows 10 / Windows 11.

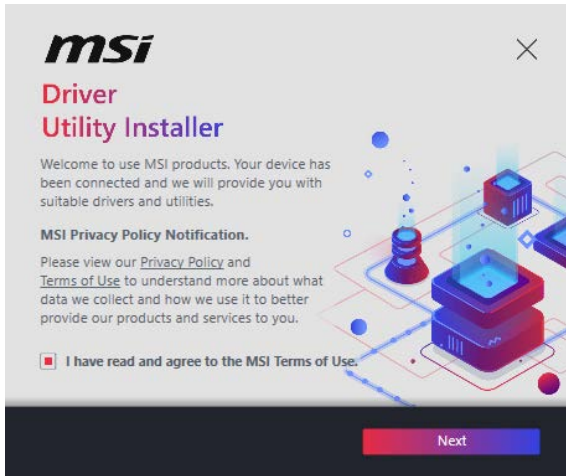
Installing Drivers with MSI® Driver DVD

1. Start up your computer in Windows 10/ Windows 11.
2. Insert MSI® Driver DVD into the optical drive.
3. Click the **Select to choose what happens with this disc** pop-up notification, then select **Run DVDSetup.exe** to open the installer. If you turn off the AutoPlay feature from the Windows Control Panel, you can still manually execute the **DVDSetup.exe** from the root path of the MSI Driver DVD.
4. The installer will find and list all necessary drivers in the **Drivers/Software** tab.
5. Click the **Install** button in the lower-right corner of the window.
6. The drivers installation will then be in progress, after it has finished it will prompt you to restart.
7. Click **OK** button to finish.
8. Restart your computer.

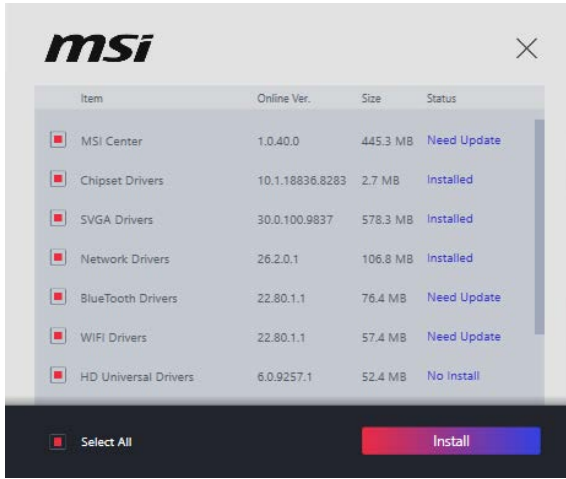
Installing Drivers with MSI Driver Utility Installer

Important

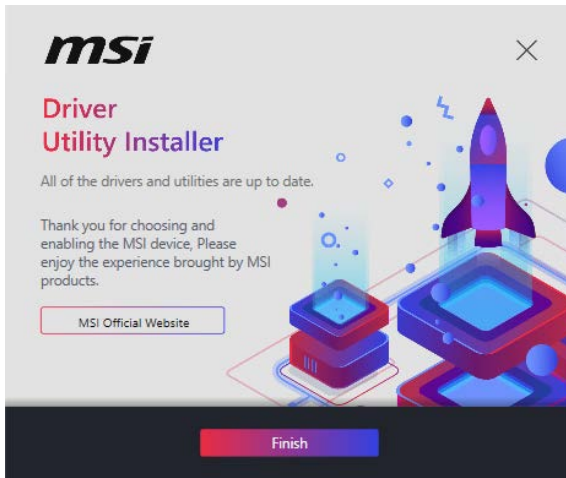
- Some new network chips have not been natively supported by Windows 10/ Windows 11. It is recommended that the **LAN driver** be installed before installing drivers with MSI Driver Utility Installer. Please refer to www.msi.com to install the LAN driver for your motherboard.
 - The MSI Driver Utility Installer will only pop up once. If you cancel or close it during the process, please refer to the Live Update chapter of the MSI Center manual to install the drivers. You can also go to www.msi.com to search your motherboard and download the drivers.
 - MSI Driver Utility Installer needs to be installed over the internet.
1. Start up your computer in Windows 10/ Windows 11.
 2. Select **Start > Settings > Windows Update**, and then select **Check** for updates.
 3. MSI Driver Utility Installer will pop up automatically.



4. Select the **I have read and agree to the MSI Terms of Use** check box, and then click **Next**.



5. Check the **Select All** checkbox in the lower-left corner and click **Install** to install MSI Center and drivers. The installation progress will be shown at the bottom.



6. Once the progress has completed, click **Finish**.

MSI Center

MSI Center is an application that helps you easily optimize game settings and smoothly use content creation softwares. It also allows you to control and synchronize LED light effects on PCs and other MSI products. With MSI Center, you can customize ideal modes, monitor system performance, and adjust fan speed.

MSI Center User Guide



If you would like to know more information about MSI Center, please refer to

<http://download.msi.com/manual/mb/MSICENTER.pdf>

or scan the QR code to access.



Important

Functions may vary depending on the product you have.

UEFI BIOS

MSI UEFI BIOS is compatible with UEFI (Unified Extensible Firmware Interface) architecture. UEFI has many new functions and advantages that traditional BIOS cannot achieve, and it will completely replace BIOS in the future. The MSI UEFI BIOS uses UEFI as the default boot mode to take full advantage of the new chipset's capabilities.



The term BIOS in this user guide refers to UEFI BIOS unless otherwise noted.

UEFI advantages

- Fast booting - UEFI can directly boot the operating system and save the BIOS self-test process. And also eliminates the time to switch to CSM mode during POST.
- Supports for hard drive partitions larger than 2 TB.
- Supports more than 4 primary partitions with a GUID Partition Table (GPT).
- Supports unlimited number of partitions.
- Supports full capabilities of new devices - new devices may not provide backward compatibility.
- Supports secure startup - UEFI can check the validity of the operating system to ensure that no malware tampers with the startup process.

Incompatible UEFI cases

- **32-bit Windows operating system** - this motherboard supports only Windows 10/Windows 11 64-bit operating system.
- **Older graphics card** - the system will detect your graphics card. If you use older graphics cards, it may display a warning message **There is no GOP (Graphics Output protocol) support detected in this graphics card.**



We recommend that you replace it with a graphics card supporting GOP/UEFI or use CPU with integrated graphics for having normal function.

How to check the BIOS mode?

1. Power on your computer.
2. Press **Delete** key, when the **Press DEL key to enter Setup Menu, F11 to enter Boot Menu** message appears on the screen during the boot process.
3. After entering the BIOS, you can check the **BIOS Mode** at the top of the screen.

BIOS Mode: UEFI

BIOS Setup

The default settings offer the optimal performance for system stability in normal conditions. You should **always keep the default settings** to avoid possible system damage or failure booting unless you are familiar with BIOS.



Important

- BIOS items are continuously update for better system performance. Therefore, the description may be slightly different from the latest BIOS and should be for reference only. You could also refer to the **HELP** information panel for BIOS item description.
- The BIOS screens, options and settings will vary depending on your system.

Entering BIOS Setup

Press **Delete** key, when the **Press DEL key to enter Setup Menu, F11 to enter Boot Menu** message appears on the screen during the boot process.

Function key

- F1:** General Help list
- F2:** Add/ Remove a favorite item
- F3:** Enter Favorites menu
- F4:** Enter CPU Specifications menu
- F5:** Enter Memory-Z menu
- F6:** Load optimized defaults
- F7:** Switch between Advanced mode and EZ mode
- F8:** Load Overclocking Profile
- F9:** Save Overclocking Profile
- F10:** Save Change and Reset*
- F12:** Take a screenshot and save it to USB flash drive (FAT/ FAT32 format only).
- Ctrl+F:** Enter Search page

* When you press F10, a confirmation window appears and it provides the modification information. Select between Yes or No to confirm your choice.

BIOS User Guide



If you'd like to know more instructions on setting up the BIOS, please refer to <http://download.msi.com/manual/mb/Intel700BIOS.pdf>

or scan the QR code to access.



Important

Functions may vary depending on the product you have.

Resetting BIOS

You might need to restore the default BIOS setting to solve certain problems. There are several ways to reset BIOS:

- Go to BIOS and press **F6** to load optimized defaults.
- Short the **Clear CMOS** jumper on the motherboard.



*Be sure the computer is off before clearing CMOS data. Please refer to the **Clear CMOS** jumper section for resetting BIOS.*

Updating BIOS

Updating BIOS with M-FLASH

Before updating:

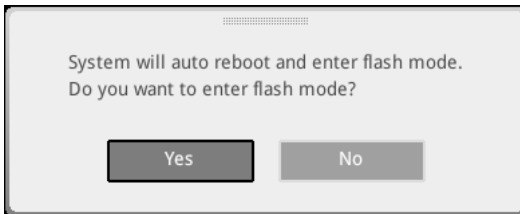
Please download the latest BIOS file that matches your motherboard model from MSI website. And then save the BIOS file into the USB flash drive.

Updating BIOS:

1. Switch to the target BIOS ROM by Multi-BIOS switch. Please skip this step if your motherboard doesn't have this switch.
2. Insert the USB flash drive that contains the update file into the USB port.
3. Please refer the following methods to enter flash mode.
 - Reboot and press **Ctrl + F5** key during POST and click on Yes to reboot the system.

Press <Ctrl+F5> to activate M-Flash for BIOS update.

- Reboot and press **Del** key during POST to enter BIOS. Click the **M-FLASH** button and click on Yes to reboot the system.



4. Select a BIOS file to perform the BIOS update process.
5. When prompted click on **Yes** to start recovering BIOS.
6. After the flashing process is 100% completed, the system will reboot automatically.

Updating the BIOS with MSI Center

Before updating:

- Make sure the LAN driver is already installed and the internet connection is set properly.
- Please close all other application software before updating the BIOS.

To update BIOS:

1. Install and launch MSI Center and go to **Support** page.
2. Select **Live Update** and click on **Advance** button.
3. Select the BIOS file and click on **Install** button.
4. The installation reminder will appear, then click the **Install** button.
5. The system will automatically restart to update BIOS.
6. After the flashing process is 100% completed, the system will restart automatically.

Updating BIOS with Flash BIOS Button

1. Please download the latest BIOS file that matches your motherboard model from the MSI® website.
2. Rename the BIOS file to MSI.ROM, and save it to the root of the USB storage device.
3. Connect the power supply to **CPU_PWR1** and **ATX_PWR1**. (No need to install CPU and memory.)
4. Plug the USB storage device that contains the MSI.ROM file into the **Flash BIOS Port** on the rear I/O panel.
5. Press the **Flash BIOS Button** to flash BIOS, and the LED starts flashing.
6. The LED will be turned off when the process is completed.

Inhalt

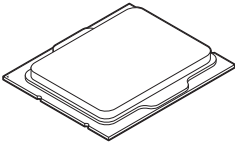
Schnellstart	3
Spezifikationen	15
Besondere Funktionen	19
Lieferumfang	20
Anschlüsse auf der Rückseite	21
LAN Port LED Zustandstabelle	22
Audiobuchsen	22
Antennen installieren	24
Übersicht der Komponenten	25
CPU Sockel	26
DIMM Steckplätze	27
PCI_E1~4: PCIe Erweiterungssteckplätze	28
M2_1~4: M.2 Steckplätze (Key M)	29
SATA1~6: SATA 6Gb/s Anschlüsse	38
JAUD1: Audioanschluss des Frontpanels	38
JFP1, JFP2: Frontpanel-Anschlüsse	39
CPU_PWR1~2, ATX_PWR1: Stromanschlüsse	40
JCI1: Gehäusekontaktanschluss	41
JUSB5: USB 3.2 Gen 2 Typ-C Frontplattenanschluss	42
JUSB3~4: USB 3.2 Gen 1 Anschlüsse	42
JUSB1~2: USB 2.0 Anschlüsse	43
JTPM1: TPM Anschluss	43
JDASH1: Tuning Controller-Anschluss	44
JTBT_U4_1: USB4-Erweiterungskartenanschluss	44
CPU_FAN1, PUMP_FAN1, SYS_FAN1~6: Stromanschlüsse für Lüfter	45
JBAT1: Clear CMOS Steckbrücke (Reset BIOS)	46
BAT1: CMOS Batterie	47
JRGB1~2: RGB LED Anschluss	48
JARGB_V2_1~2: A-RAINBOW V2 (ARGB Gen2) LED Anschlüsse	49

EZ DEBUG LED	50
Installation von OS, Treibern & MSI Center	51
Installation von Treibern mit dem MSI Driver Utility Installer	52
UEFI BIOS.....	55
BIOS Setup.....	56
Reset des BIOS	57
Aktualisierung des BIOS.....	57

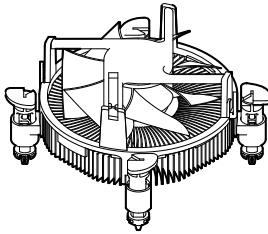
Schnellstart

Danke, dass Sie das MSI® Motherboard gewählt haben. Dieser Abschnitt der Kurzanleitung bietet eine Demo zur Installation Ihres Computers. Manche Installationen bieten auch die Videodemonstrationen. Klicken Sie auf die URL, um diese Videoanleitung mit Ihrem Browser auf Ihrem Handy oder Table anzusehen. Oder scannen Sie auch den QR Code mit Ihrem Handy, um die URL zu öffnen.

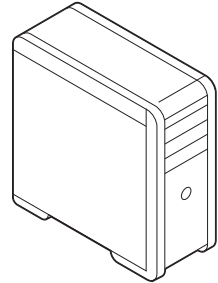
Werkzeug und Komponenten



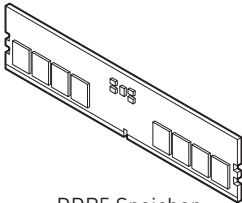
Intel® LGA1700 CPU



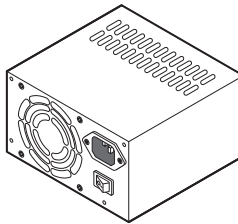
LGA1700 CPU Lüfter



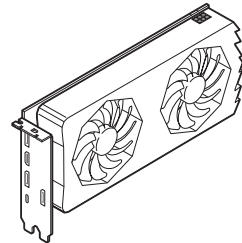
Gehäuse



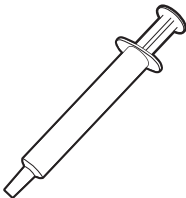
DDR5 Speicher



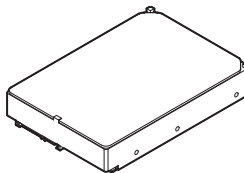
Netzteil



Grafikkarte



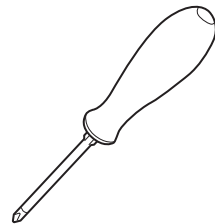
Wärmeleitpaste



SATA-Festplatte



Ein Paket von Schrauben



Kreuzschlitzschraubendreher

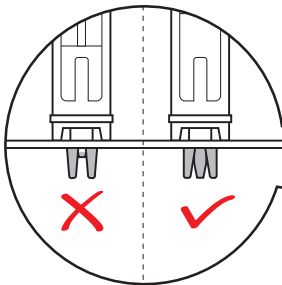
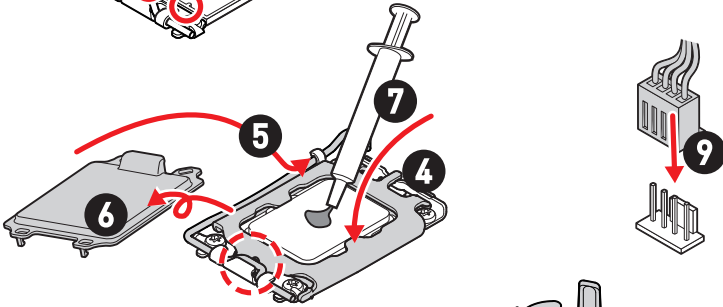
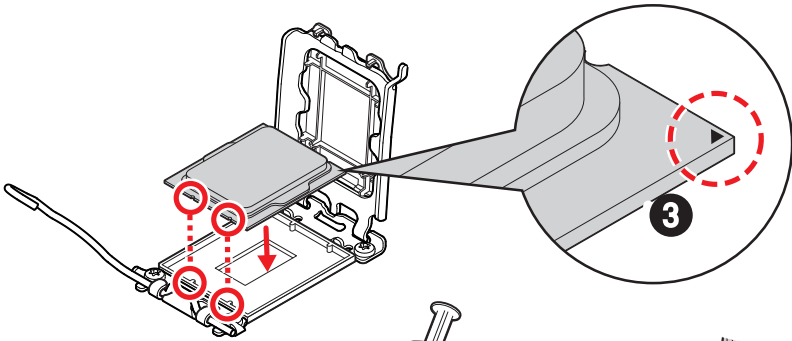
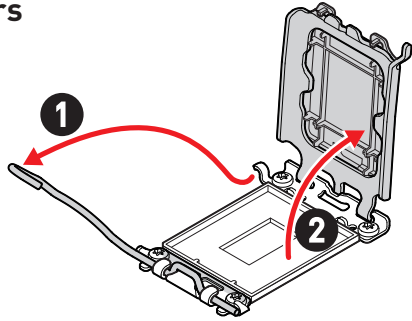
Sicherheitshinweis

- Die im Paket enthaltene Komponenten sind der Beschädigung durch elektrostatischen Entladung (ESD). Beachten Sie bitte die folgenden Hinweise, um die erfolgreichen Computermontage sicherzustellen.
- Stellen Sie sicher, dass alle Komponenten fest angeschlossen sind. Lockere Steckverbindungen können Probleme verursachen, zum Beispiel: Der Computer erkennt eine Komponente nicht oder startet nicht.
- Halten Sie das Motherboard nur an den Rändern fest, und verhindern Sie die Berührung der sensiblen Komponenten.
- Um eine Beschädigung der Komponenten durch elektrostatische Entladung (ESD) zu vermeiden, sollten Sie eines elektrostatischen Armbands während der Handhabung des Motherboards tragen. Wenn kein elektrostatischen Handgelenkband vorhanden ist, sollten Sie Ihre statische Elektrizität ableiten, indem Sie ein anderes Metallobjekt berühren, bevor Sie das Motherboard anfassen.
- Bewahren Sie das Motherboard in einer elektrostatische Abschirmung oder einem Antistatiktuch auf, wenn das Motherboard nicht installiert ist.
- Überprüfen Sie vor dem Einschalten des Computers, dass sich keine losen Schrauben und andere Bauteile auf dem Motherboard oder im Computergehäuse befinden
- Bitte starten Sie den Computer nicht, bevor die Installation abgeschlossen ist. Dies könnte permanente Schäden an den Komponenten sowie zu das Verletzung des Benutzers verursachen.
- Sollten Sie Hilfe bei der Installation benötigen, wenden Sie sich bitte an einen zertifizierten Computer-Techniker.
- Schalten Sie die Stromversorgung aus und ziehen Sie das das Stromkabel ab, bevor Sie jegliche Computer-Komponente ein- und ausbauen.
- Bewahren Sie die Bedienungsanleitung als künftige Referenz auf.
- Halten Sie das Motherboard von Feuchtigkeit fern
- Bitte stellen Sie sicher, dass Ihre Netzspannung den Hinweisen auf dem Netzteil vor Anschluss des Netzteils an die Steckdose entspricht
- Verlegen Sie das Netzkabel so, dass niemand versehentlich darauf treten kann. Stellen Sie nichts auf dem Netzkabel ab.
- Alle Achtungs- und Warnhinweise auf dem Motherboard müssen befolgt werden.
- Falls einer der folgenden Umstände eintritt, lassen Sie bitte das Motherboard von Kundendienstpersonal prüfen:
 - Flüssigkeit ist in dem Computer eingedrungen.
 - Das Motherboard wurde Feuchtigkeit ausgesetzt.
 - Das Motherboard funktioniert nicht richtig oder Sie können es nicht wie in der Bedienungsanleitung beschrieben bedienen.
 - Das Motherboard ist heruntergefallen und beschädigt.
 - Das Motherboard weist offensichtlich Zeichen eines Schadens auf.
- Nutzen und lagern Sie das Gerät nicht an Stellen, an denen Temperaturen von mehr als 60°C herrschen - das Motherboard kann in diesem Fall Schaden nehmen.

Installation des Prozessors



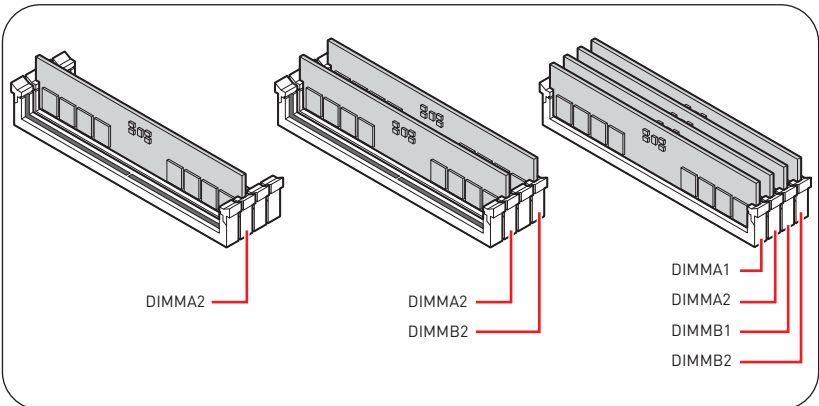
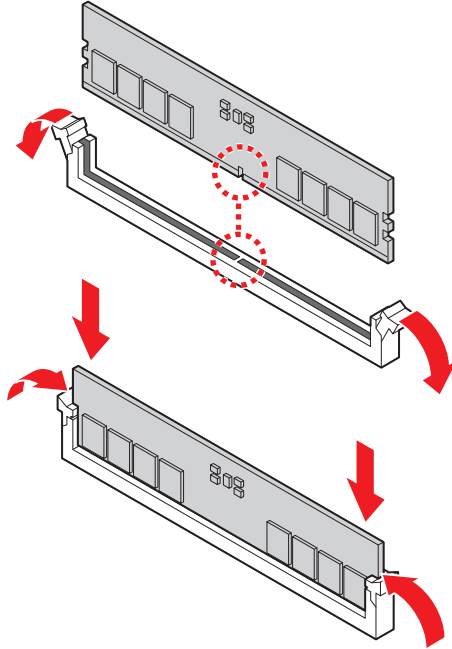
• <https://youtu.be/KMf9oIDsGes>



Installation des DDR5-Speichers



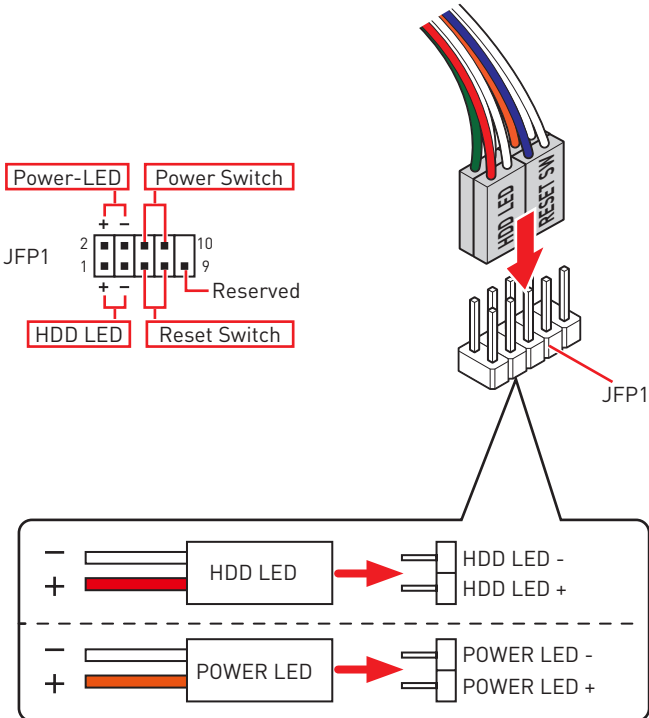
- <https://youtu.be/XiNmKDNZcZk>



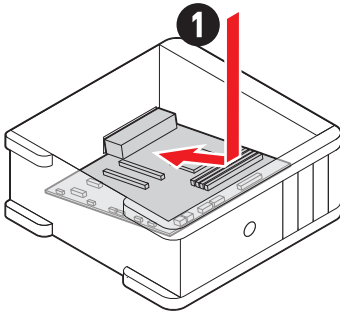
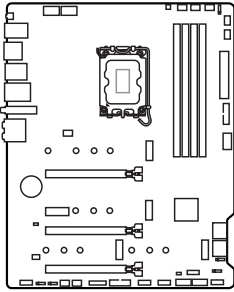
Anschließen der Frontpanel-Stiftleiste



- <http://youtu.be/DPELIdVNZUI>

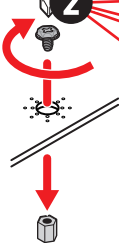
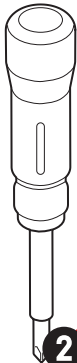


Installation des Motherboards

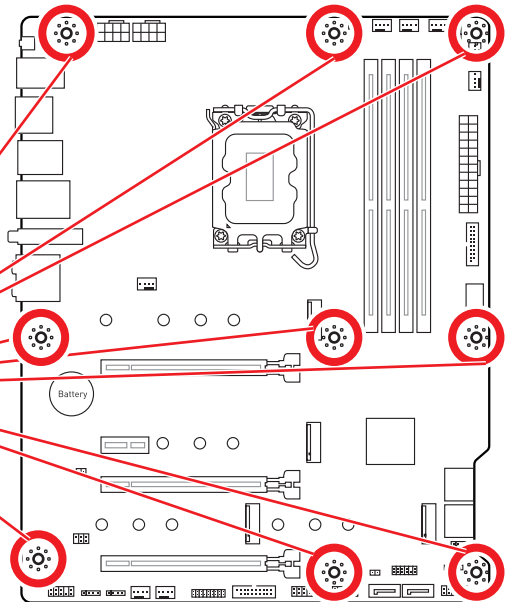


• <https://youtu.be/wWI6Qt51Wnc>

Drehmoment
3 kgf-cm*



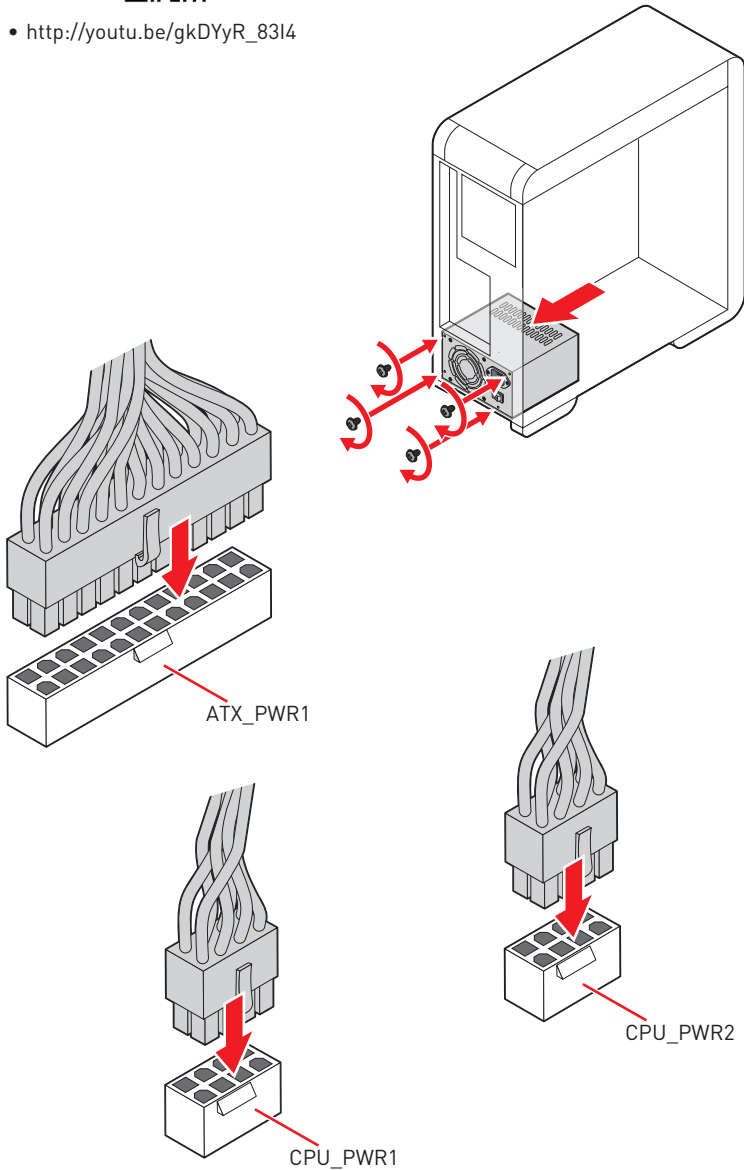
*3 kgf-cm
= 0.3 N-m
= 2.6 lbf-in



Stromanschlüsse anschliessen



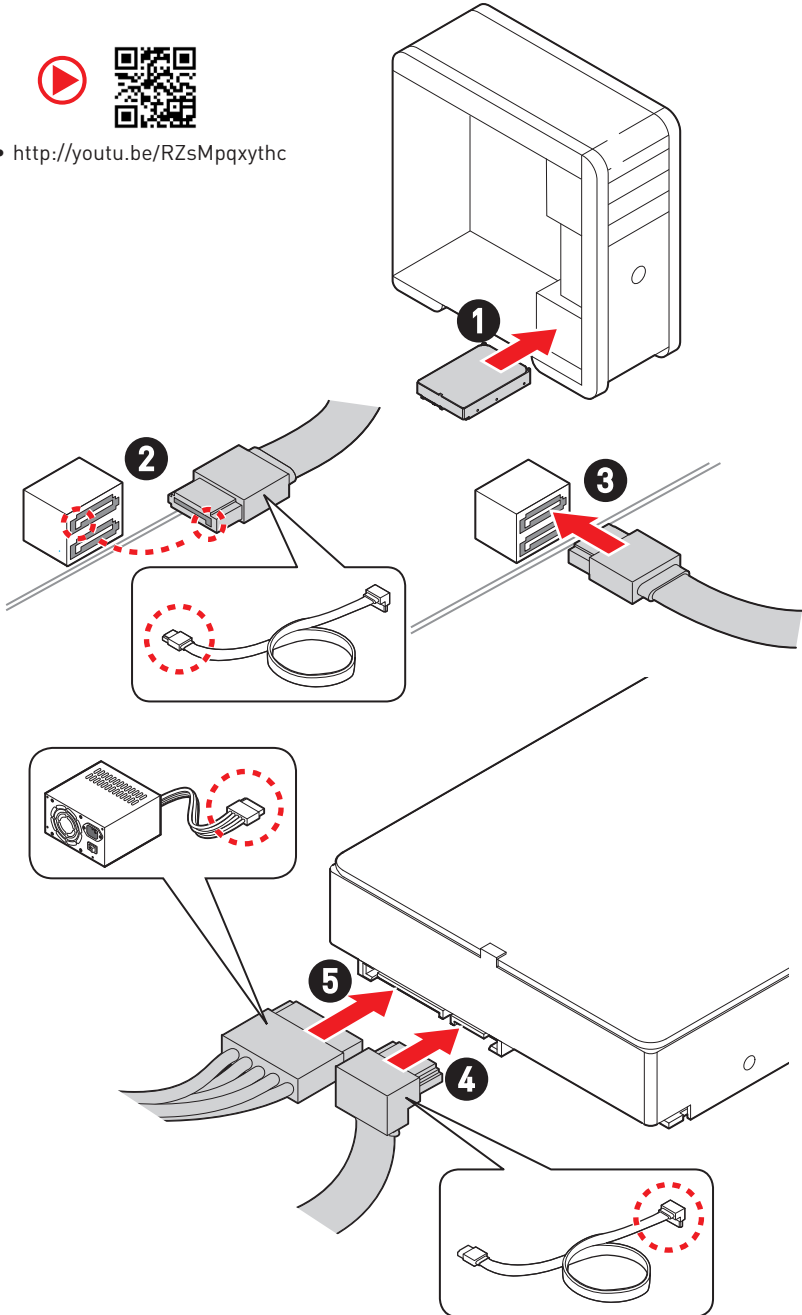
- http://youtu.be/gkDYyR_83I4



Installation der SATA-Laufwerke



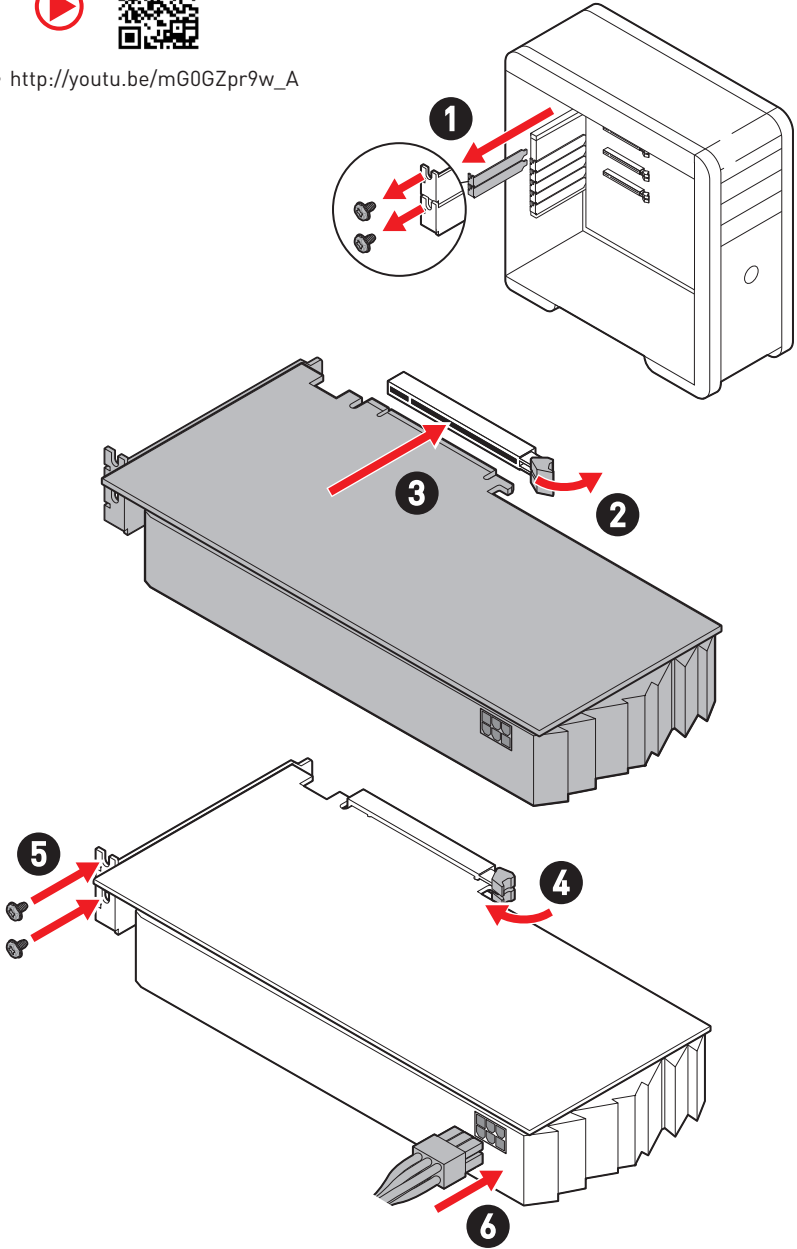
• <http://youtu.be/RZsMpqxythc>



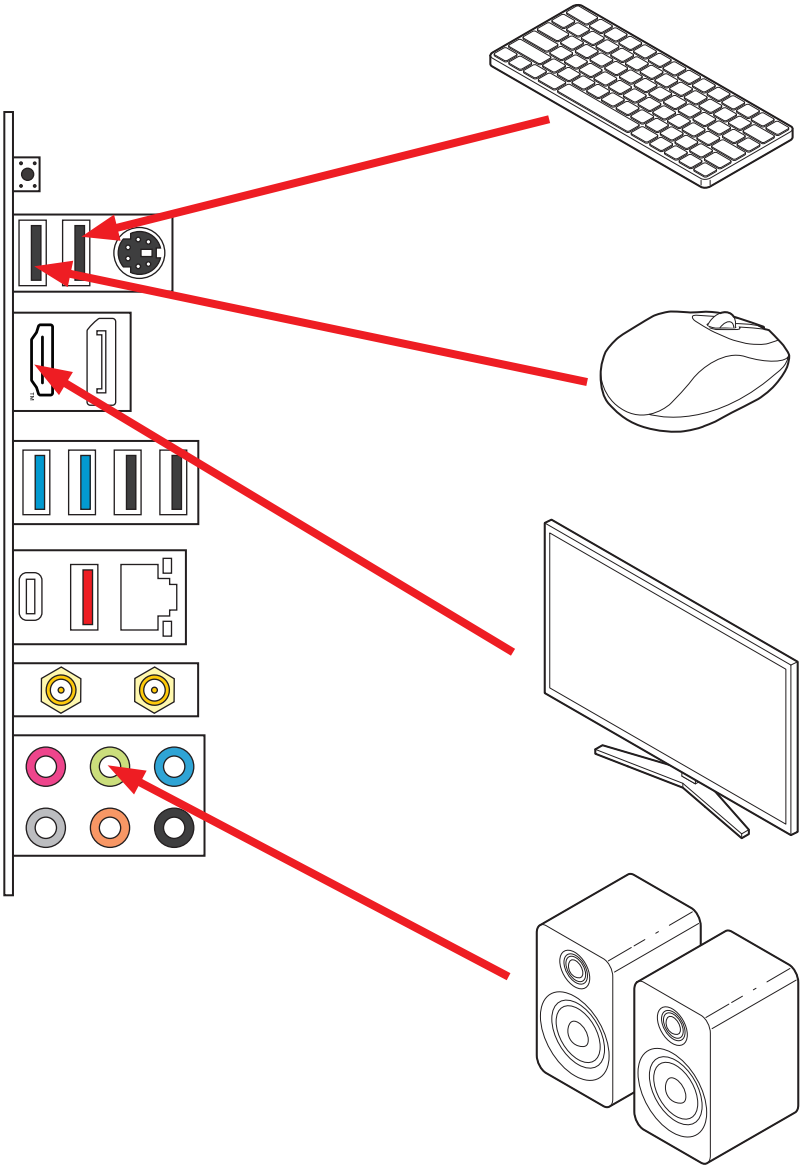
Einbau der Grafikkarte



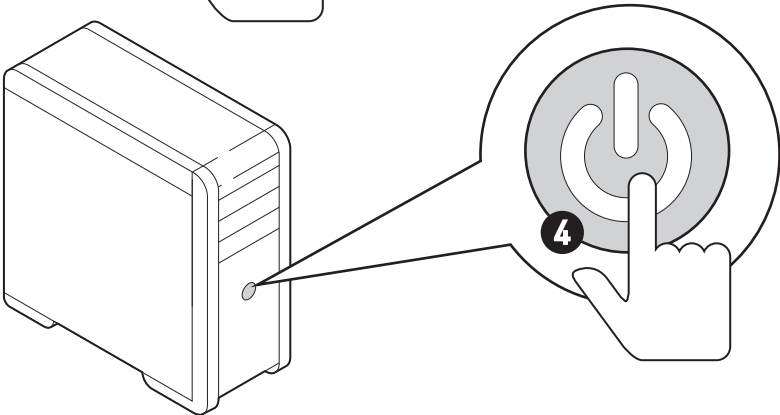
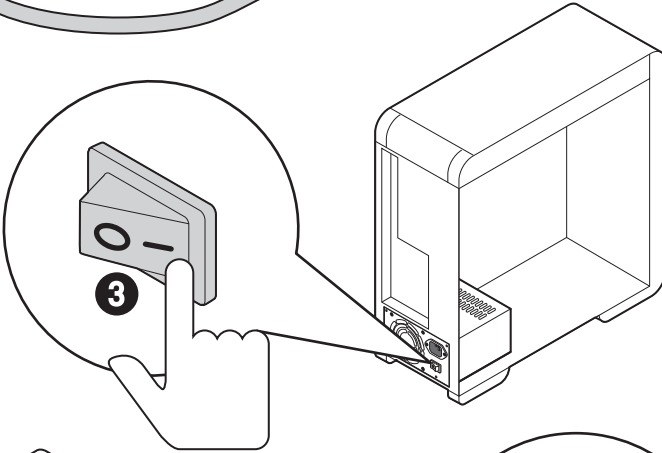
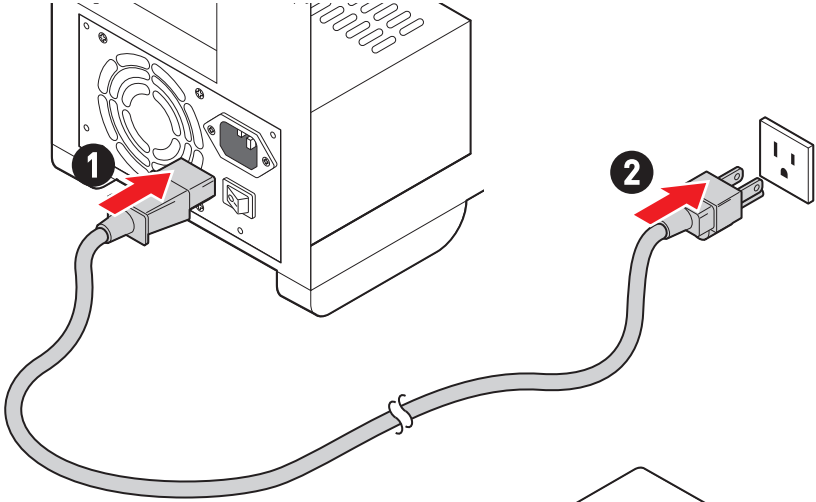
• http://youtu.be/mG0GZpr9w_A



Peripheriegeräte



Einschalten



Spezifikationen

CPU	<ul style="list-style-type: none"> • Unterstützt Intel® Core™ Prozessoren der 14./ 13./ 12. Generation, Intel® Pentium® Gold und Celeron® Prozessor* • Prozessor Sockel LGA1700 <p>* Bitte besuchen Sie www.msi.com, um den neuesten Support-Status zu erhalten, wenn neue Prozessoren veröffentlicht werden.</p>
Chipsatz	Intel® Z790 Chipsatz
Speicher	<ul style="list-style-type: none"> • 4x DDR5 Speicherplätze, aufrüstbar bis 192GB* • Unterstützt 1R 5600 MHz (durch JEDEC & POR) • Maximale Übertaktfrequenz: <ul style="list-style-type: none"> • 1DPC 1R max. Übertragungsraten bis zu 7200+ MHz • 1DPC 2R max. Übertragungsraten bis zu 6600+ MHz • 2DPC 1R max. Übertragungsraten bis zu 6400+ MHz • 2DPC 2R max. Übertragungsraten bis zu 5600+ MHz • Unterstützt Intel® XMP 3.0 OC • Unterstützt den Dual-Controller-Zweikanalmodus • Unterstützt non-ECC, ungepufferte Speicher <p>* Weitere Informationen zu kompatiblen Speicher finden Sie unter: www.msi.com</p>
Erweiterungsanschlüsse	<ul style="list-style-type: none"> • 3x PCIe x16 Steckplätze <ul style="list-style-type: none"> • PCI_E1 Steckplatz (von CPU) <ul style="list-style-type: none"> • Unterstützt bis zu PCIe 5.0 x16 • PCI_E3 & PCI_E4 Steckplätze (vom Z790 Chipsatz) <ul style="list-style-type: none"> • PCI_E3 unterstützt bis zu PCIe 4.0 x4 • PCI_E4 unterstützt bis zu PCIe 3.0 x1 • 1x PCIe x1 Steckplatz (vom Z790 Chipsatz) <ul style="list-style-type: none"> • PCI_E2 unterstützt bis zu PCIe 3.0 x1
Onboard-Grafik	<ul style="list-style-type: none"> • 1x HDMI™ 2.1 Anschluss mit HDR, Unterstützung einer maximalen Auflösung von 4K 60 Hz* / ** • 1x DisplayPort 1.4 Anschluss mit HBR2, Unterstützung einer maximalen Auflösung von 4K 60Hz* / ** <p>* Es ist verfügbar für den Prozessor mit integrierter Grafik. ** Die Grafikkarten-Spezifikationen können abhängig von der installierten CPU variieren.</p>
SATA Anschlüsse	<ul style="list-style-type: none"> • 6x SATA 6Gb/s Anschlüsse (von Z790 Chipsatz)

Fortsetzung auf der nächsten Spalte

Fortsetzung der vorherigen Spalte

M.2 SSD Steckplätze	<ul style="list-style-type: none">• 4x M.2 Steckplätze (Key M)<ul style="list-style-type: none">• M2_1 Steckplatz (von CPU)<ul style="list-style-type: none">• Unterstützt bis zu PCIe 4.0 x4• Unterstützt 2242/ 2260/ 2280/ 22110 Speichergeräte• M2_2 Steckplatz (vom Z790 Chipsatz)<ul style="list-style-type: none">• Unterstützt bis zu PCIe 4.0 x4• Unterstützt 2242/ 2260/ 2280 Speichergeräte• M2_3 Steckplatz (vom Z790 Chipsatz)<ul style="list-style-type: none">• Unterstützt bis zu PCIe 4.0 x4• Unterstützt bis zu SATA 6Gb/s• Unterstützt 2242/ 2260/ 2280 Speichergeräte• M2_4 Steckplatz (vom Z790 Chipsatz)<ul style="list-style-type: none">• Unterstützt bis zu PCIe 4.0 x4• Unterstützt bis zu SATA 6Gb/s• Unterstützt 2242/ 2260/ 2280 Speichergeräte
RAID	<ul style="list-style-type: none">• Unterstützt RAID 0, RAID 1, RAID 5 und RAID 10 für SATA Speichergeräte• Unterstützt RAID 0, RAID 1, RAID 5 und RAID 10 für M.2 NVMe Speichergeräte
Audio	Realtek® ALC897 Codec <ul style="list-style-type: none">• 7.1-Kanal-HD-Audio
LAN	<ul style="list-style-type: none">• 1x Intel® 2.5Gbps LAN Controller
Wi-Fi & Bluetooth®	Intel® Wi-Fi 6E <ul style="list-style-type: none">• Das Wireless-Modul ist im M.2 (Key-E) Steckplatz vorinstalliert• Unterstützt MU-MIMO TX/RX, 2,4GHz/ 5GHz/ 6GHz* (160MHz) mit Datenraten bis zu 2,4Gbit/s• Unterstützt 802.11 a/ b/ g/ n/ ac/ ax• Unterstützt Bluetooth® 5.3**, FIPS, FISMA <p>* Die Nutzung des Wi-Fi 6GHz-Bandes hängt von der Unterstützung von Windows 11 ab und ist abhängig von den Regelungen des jeweiligen Landes.</p> <p>** Die Bluetooth-Version kann aktualisiert werden. Weitere Informationen finden Sie auf der Website des Herstellers des Wi-Fi-Chipsatzes.</p>

Fortsetzung auf der nächsten Spalte

Fortsetzung der vorherigen Spalte

Stromanschlüsse	<ul style="list-style-type: none">• 1x 24-poliger ATX Stromanschluss• 2x 8-polige +12V Stromanschlüsse
Interne USB Anschlüsse	<ul style="list-style-type: none">• 1x USB 3.2 Gen 2 10Gbit/s Typ-C Frontplattenanschluss (vom Z790 Chipsatz)• 2x USB 3.2 Gen 1 5Gbit/s Anschluss (vom Z790 Chipsatz)<ul style="list-style-type: none">• Unterstützt zusätzliche 4 USB 3.2 Gen 1 5Gbit/s Anschlüsse• 2x USB 2.0 Anschlüsse (vom Hub-GL850G)<ul style="list-style-type: none">• Unterstützt zusätzliche 4 USB 2.0 Anschlüsse
Stromanschlüsse für Lüfter	<ul style="list-style-type: none">• 1x 4-poliger CPU-Lüfter-Stromanschluss• 1x 4-poliger Anschluss für die Wasserpumpe• 6x 4-polige System-Lüfter-Anschlüsse
Systemanschlüsse	<ul style="list-style-type: none">• 1x Audioanschluss des Frontpanels• 2x System-Panel-Anschlüsse• 1x Gehäusekontaktschalter• 1x TPM Anschluss• 1x Tuning Controller-Anschluss• 1x USB4-Erweiterungskartenanschluss (Unterstützt RTD3)
Steckbrücke	<ul style="list-style-type: none">• 1x Clear CMOS Steckbrücke
LED Funktionen	<ul style="list-style-type: none">• 4x EZ Debug LED• 2x 4-polige RGB LED Anschlüsse• 2x 3-polige A-RAINBOW V2 (ARGB Gen2) LED Anschlüsse

Fortsetzung auf der nächsten Spalte

Fortsetzung der vorherigen Spalte

Hintere Ein-/ und Ausgänge	<ul style="list-style-type: none"> • 1x Flash BIOS Taste • 1x PS/2 Anschluss • 4x USB 2.0 Typ-A Anschlüsse (vom Z790 Chipsatz) • 1x DisplayPort • 1x HDMI™ Anschluss • 1x LAN (RJ45) Anschluss • 2x USB 3.2 Gen 1 5Gbit/s Typ-A Anschlüsse (vom Z790 Chipsatz) • 1x USB 3.2 Gen 2 10Gbit/s Typ-A Anschluss (vom Z790 Chipsatz) • 1x USB 3.2 Gen 2x2 20Gbit/s Typ-C Anschluss (vom Z790 Chipsatz) • 2x Wi-Fi Antennenanschlüsse • 6x Audiobuchsen
E/A Anschluss	<p>NUVOTON NCT6687 Controller Chip</p>
Hardware Monitor	<ul style="list-style-type: none"> • CPU/ System/ Chipsatz Temperaturerfassung • CPU/ System/ Pump-Lüfter Geschwindigkeitserfassung • CPU/ System/ Pump-Lüfter Drehzahlregelung
Formfaktor	<ul style="list-style-type: none"> • ATX Formfaktor • 244 mm x 305 mm (9,6 Zoll x 12 Zoll)
BIOS Funktionen	<ul style="list-style-type: none"> • 1x 256 Mb Flash • UEFI AMI BIOS • ACPI 6.4, SMBIOS 3.5 • Mehrsprachenunterstützung
Software	<ul style="list-style-type: none"> • Treiber • MSI Center • Intel® Extreme Tuning Utility • CPU-Z MSI GAMING • Norton 360 • AIDA64 Extreme - MSI Edition • Adobe Creative Cloud • Acrobat

Besondere Funktionen

MSI Center

- Mystic Light
- Ambient Link
- Frozr AI Kühlung
- Benutzer-Szenario
- True Color
- Live Update
- Hardware Monitor
- Super Charger
- Gerätebeschleunigung
- Smart Image Finder
- MSI Companion
- Systemdiagnose

Thermische Eigenschaften

- Erweitertes Kühlkörperdesign
- M.2 Shield Frozr
- K7-MOSFET-Wärmeleitpad / Extra-Drosselpad
- Lüfteranschlüsse (CPU + PUMP + SYSTEM)

Leistung

- Core Boost
- VRM Power Design (VCPU / VGT / AUX)
- Dual CPU Power
- Memory Boost
- Lightning Gen 5 (PCI-E)
- Lightning Gen 4 PCI-E / M.2 Steckplatz
- Front USB Typ-C
- Server-Grade-PCB

- 2oz Kupfer verdicktes PCB

DIY-freundlich

- PCI-E Steel Armor
- EZ M.2 Clip
- EZ DEBUG LED
- EZ LED Steuerung
- Flash BIOS Taste
- Vorinstallierte Anschlussblende

Audio

- Audio Boost

RGB Unterstützung

- Mystic Light Extension (RGB)
- Mystic Light Extension (A-RAINBOW V2)
- Ambient Link

BIOS

- Click BIOS 5

Lieferumfang

Überprüfen Sie den Packungsinhalt des Mainboards. Die Packung sollte enthalten:

Platine

- 1x Motherboard

Dokumentation

- 1x Schnellinstallationsanleitung
- 1x Zulassungshinweise der Europäischen Union

Anwendung

- 1x Treiber-DVD

Kabel

- 2x SATA 6Gb/s Kabel

Zubehör

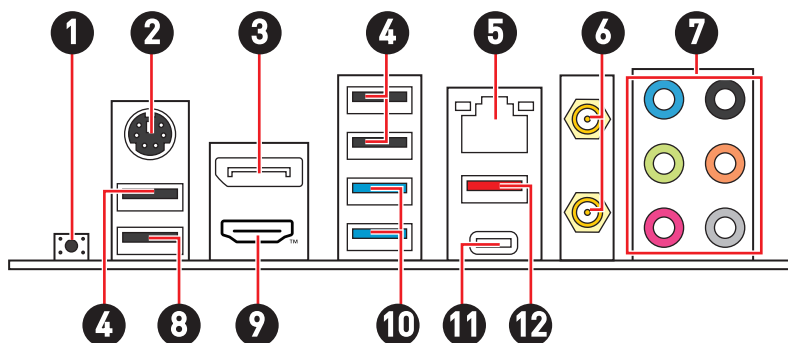
- 1x Wi-Fi-Antennenset
- 2x EZ M.2 Clip-Pakete (1 Set pro Packung)
- 1x M.2-Schrauben- und Abstandshalterpaket (1 Set pro Packung)




Wichtig

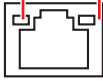
Falls einer der oben aufgeführten Artikel beschädigt ist oder fehlt, wenden Sie sich bitte an Ihren Händler.

Anschlüsse auf der Rückseite



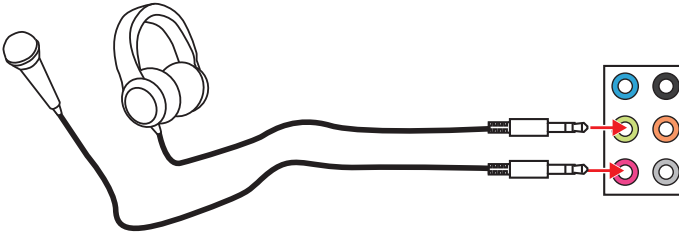
Artikel	Beschreibung
1	Flash BIOS Taste
2	PS/2 Anschluss
3	DisplayPort
4	USB 2.0 Typ-A Anschlüsse (vom Z790 Chipsatz)
5	2,5 Gbit/s LAN (RJ45) Anschluss
6	Wi-Fi Antennenanschlüsse
7	Audiobuchsen
8	USB 2.0 Typ-A Anschluss (vom Z790 Chipsatz) • Flash BIOS Anschluss
9	HDMI™ Anschluss 
10	USB 3.2 Gen 1 5Gbit/s Typ-A Anschluss (vom Z790 Chipsatz)
11	USB 3.2 Gen 2x2 20Gbit/s Typ-C Anschluss (vom Z790 Chipsatz)
12	USB 3.2 Gen 2 10Gbit/s Typ-A Anschluss (vom Z790 Chipsatz)

LAN Port LED Zustandstabelle

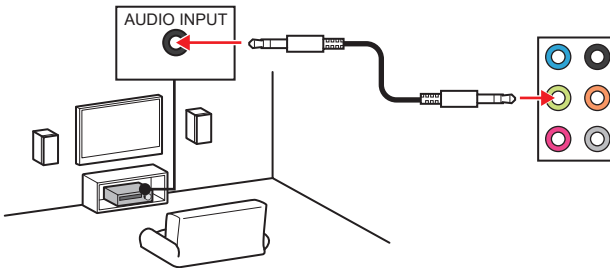
Verbindung/ Aktivität LED			Geschwindigkeit LED	
Zustand	Bezeichnung		Zustand	Geschwindigkeit
Aus	Keine Verbindung		Off (Aus)	10 Mbit/s
Gelb	Verbindung		Grün	100/1000 Mbit/s
Blinkt	Datenaktivität		Orange	2,5 Gbit/s

Audiobuchsen

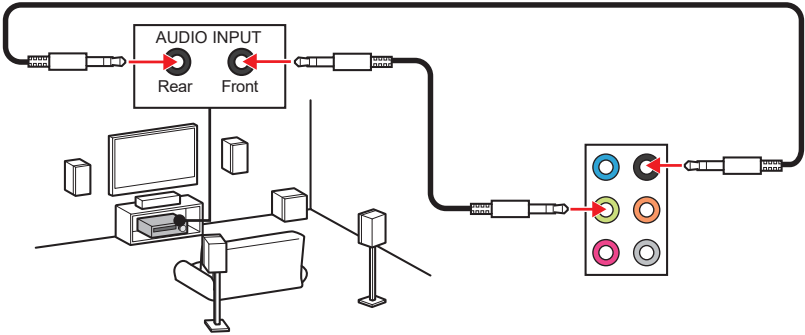
Audiobuchsen für den Anschluss von einem Kopfhörer und Mikrophon



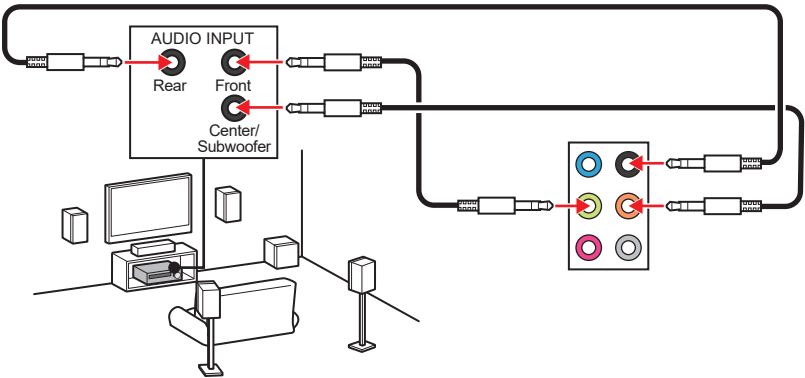
Audiobuchsen für Stereo-Lautsprecher



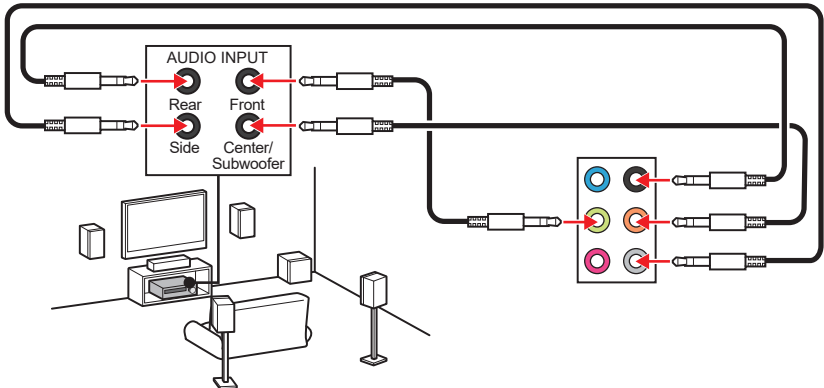
Audiobuchsen für 4 Kanal Anlage



Audiobuchsen für 5.1 Kanal Anlage

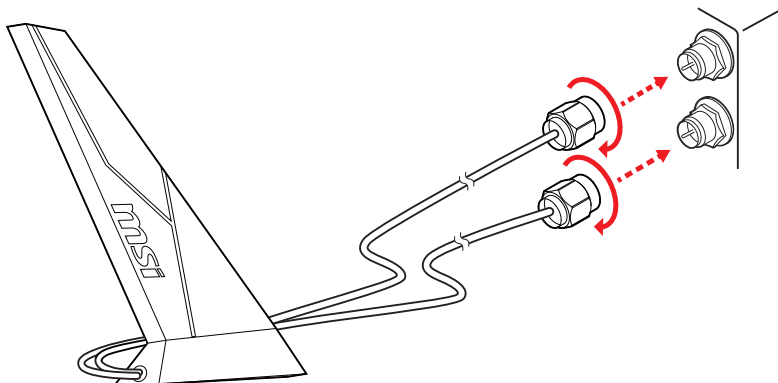


Audiobuchsen für 7.1 Kanal Anlage

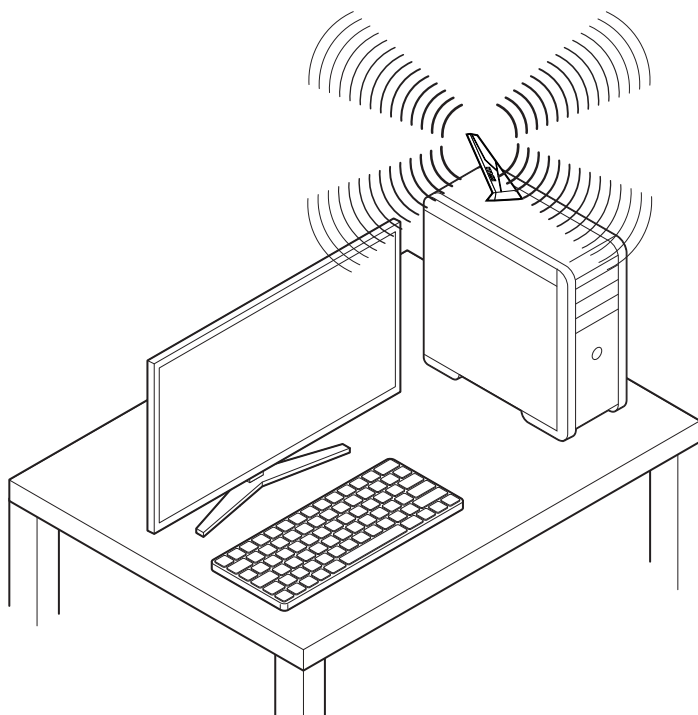


Antennen installieren

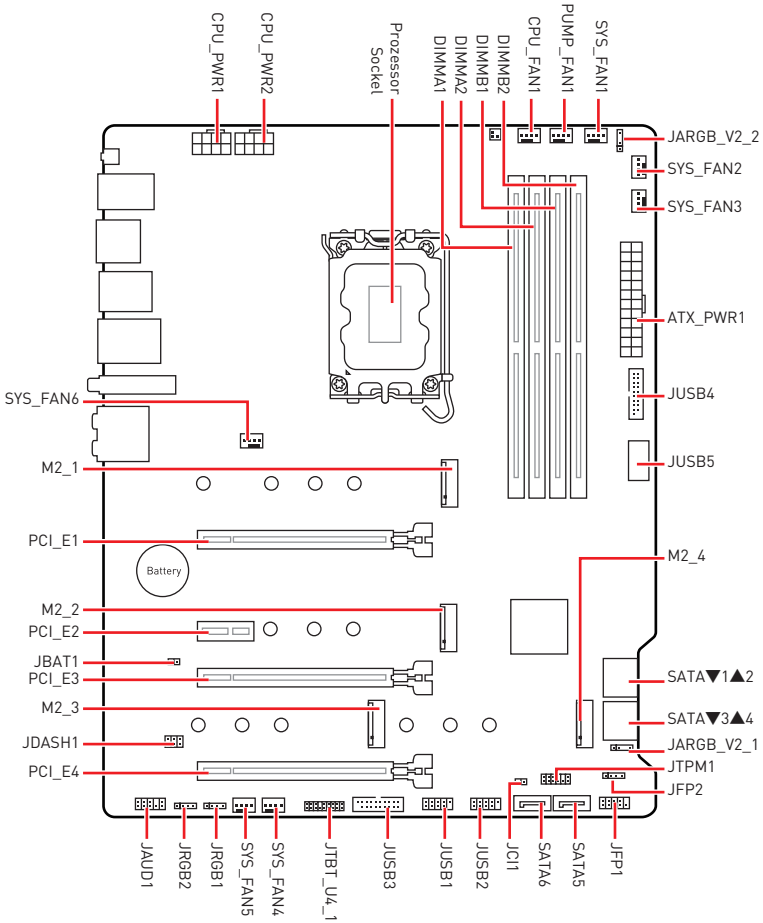
1. Schrauben Sie, wie gezeigt, die Antennen fest an die Wi-Fi Antennenanschlüsse.



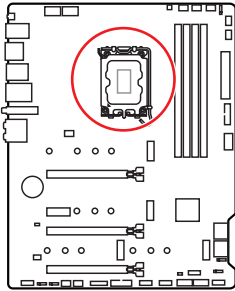
2. Positionieren Sie die Antennen so hoch wie möglich.



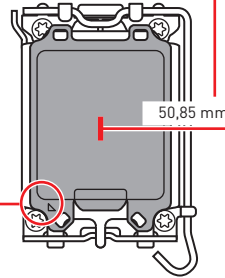
Übersicht der Komponenten



CPU Sockel



Abstand zwischen der Mitte der CPU und dem nächsten DIMM-Steckplatz.



Erklärung zur LGA1700 CPU

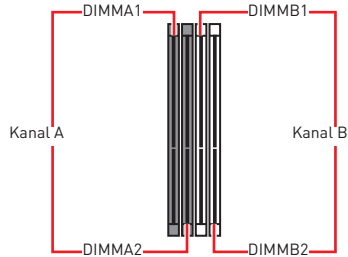
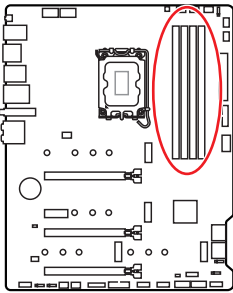
Die Oberseite der LGA 1700 CPU hat vier **Justierungen** und ein **goldenes Dreieck** um die korrekte Ausrichtung der CPU auf dem Motherboard zu gewährleisten. Das goldene Dreieck des Prozessors definiert die Position des ersten Pins.



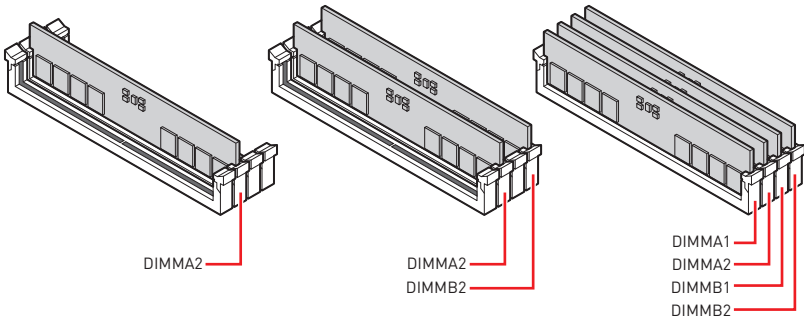
Wichtig

- Ziehen Sie das Netzkabel ab, bevor Sie die CPU ein- und ausbauen.
- Bitte bewahren Sie die CPU Schutzkappe nach der Installation des Prozessors auf. MSI wird RMA (Return Merchandise Authorization) Anfragen nur dann behandeln, wenn die Schutzklappe auf dem CPU-Sockel des Motherboards sitzt.
- Wenn Sie eine CPU einbauen, denken sie bitte daran, einen CPU-Kühler zu installieren. Ein CPU-Kühlkörper ist notwendig, um eine Überhitzung zu vermeiden und die Systemstabilität zu gewährleisten.
- Stellen Sie sicher, dass Ihr Kühlkörper eine feste Verbindung mit der CPU hergestellt hat, bevor Sie Ihr System starten.
- Überhitzung beschädigt die CPU und das System nachhaltig. Stellen Sie stets eine korrekte Funktionsweise des CPU Kühlers sicher, um die CPU vor Überhitzung zu schützen. Stellen Sie sicher, dass eine gleichmäßige Schicht thermischer Paste oder thermischen Tapes zwischen der CPU und dem Kühlkörper vorhanden ist, um die Wärmeableitung zu erhöhen.
- Schützen Sie den CPU-Sockel immer mit der Plastikabdeckung, wenn keine CPU installiert ist.
- Verwenden Sie bitte die Installationsanweisung des Kühlkörpers/Kühlers, falls Sie eine separate CPU oder einen Kühlkörper/ Kühler erworben haben.
- Dieses Motherboard wurde so entworfen, dass es Übertakten unterstützt. Stellen Sie jedoch bitte sicher, dass die betroffenen Komponenten mit den abweichenden Einstellungen während des Übertaktens zurecht kommen. Von jedem Versuch des Betriebes außerhalb der Produktspezifikationen kann nur abgeraten werden. MSI übernimmt keinerlei Garantie für die Schäden und Risiken, die aus einem unzulässigem Betrieb oder einem Betrieb außerhalb der Produktspezifikation resultieren.

DIMM Steckplätze



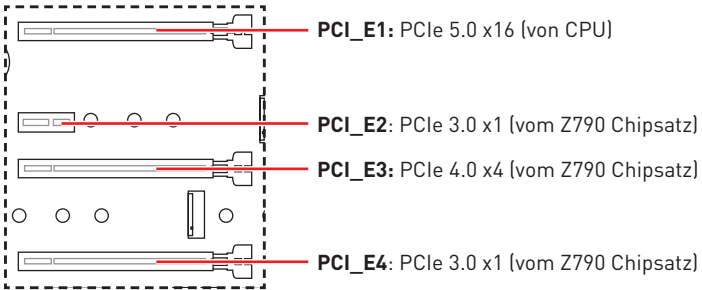
Speichermodul-Installationsempfehlung



Wichtig

- Um einen sicheren Systemstart zu gewährleisten, bestücken Sie immer **DIMMA2** zuerst.
- Stellen Sie im Dual-Kanal-Modus bitte sicher, dass Sie Module des gleichen Typs und identischer Speicherdichte in den DIMM Slots unterschiedlicher Kanäle verwenden.
- Einige Speichermodule können beim Übertakten auf einer niedrigeren Frequenz arbeiten, als der festgelegte Wert - abhängig von dem SPD (Serial Presence Detect). Stellen Sie im BIOS-Setup mit **DRAM Frequency** die Speicherfrequenz ein, wenn Sie mit der festgelegten oder einer höheren Speicherfrequenz arbeiten möchten.
- Es wird empfohlen, ein effizienteres Speicherkühlsystem bei einer Vollbestückung des DIMMs oder beim Übertakten zu verwenden.
- Die Stabilität und Kompatibilität beim Übertakten der installierten Speichermodule sind abhängig von der installierten CPU und den installierten Geräten.
- Weitere Informationen zu kompatiblen Speichermodulen finden Sie unter: www.msi.com.

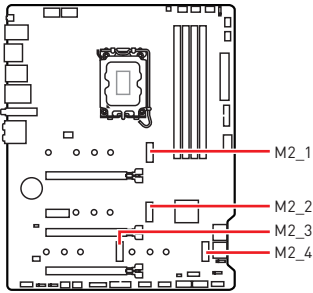
PCI_E1~4: PCIe Erweiterungssteckplätze



Wichtig

- Wenn Sie eine große und schwere Grafikkarte einbauen, benötigen Sie einen Grafikkarten-Stabilisator (**Graphics Card Bolster**) der das Gewicht trägt und eine Verformung des Steckplatzes vermeidet.
- Für die Installation einer einzelnen PCIe x16 Erweiterungskarte mit optimaler Leistung, empfehlen wir den **PCI_E1** Steckplatz zu verwenden.
- Achten Sie darauf, dass Sie den Strom abschalten und das Netzkabel aus der Steckdose herausziehen, bevor Sie eine Erweiterungskarte installieren oder entfernen. Lesen Sie bitte auch die Dokumentation der Erweiterungskarte, um notwendige zusätzliche Hardware oder Software-Änderungen zu überprüfen.

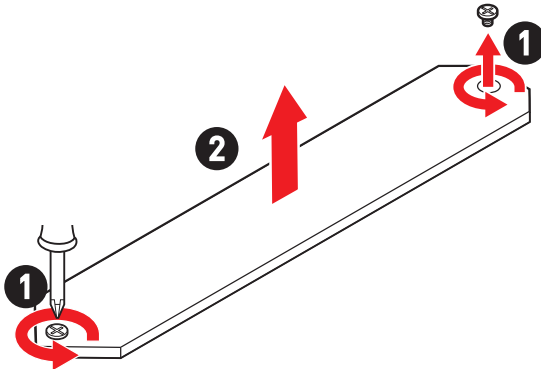
M2_1~4: M.2 Steckplätze (Key M)



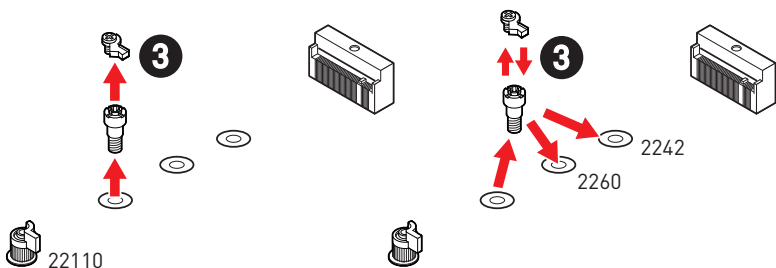
- Intel® RST unterstützt nur PCIe M.2 SSD mit UEFI ROM.
- Wenn Ihre M.2-SSD mit einem eigenen Kühlkörper ausgestattet ist, entfernen Sie bitte die M.2-Platte und installieren Sie dann die M.2-SSD im M.2-Steckplatz. Installieren Sie nicht den mit Ihrem Motherboard gelieferten Kühlkörper

Installieren des M.2-Moduls im M2_1-Steckplatz

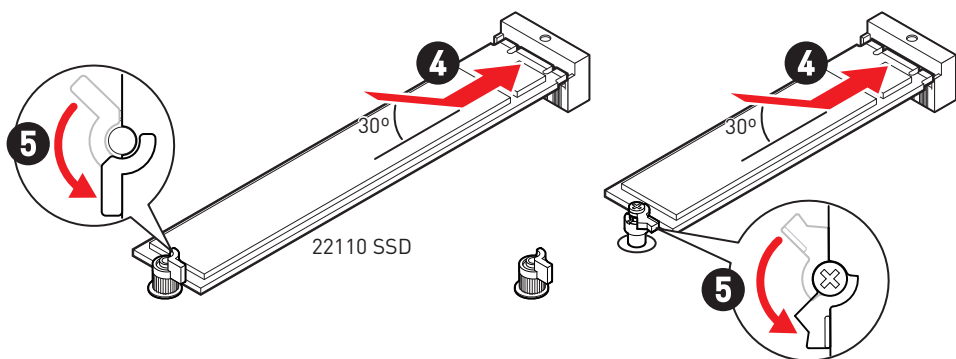
1. Lösen Sie die Schraube des M.2-SHIELD FROZR-Kühlkörpers.
2. Heben Sie den M.2 Shield Frozr-Kühlkörper an und entfernen Sie ihn.



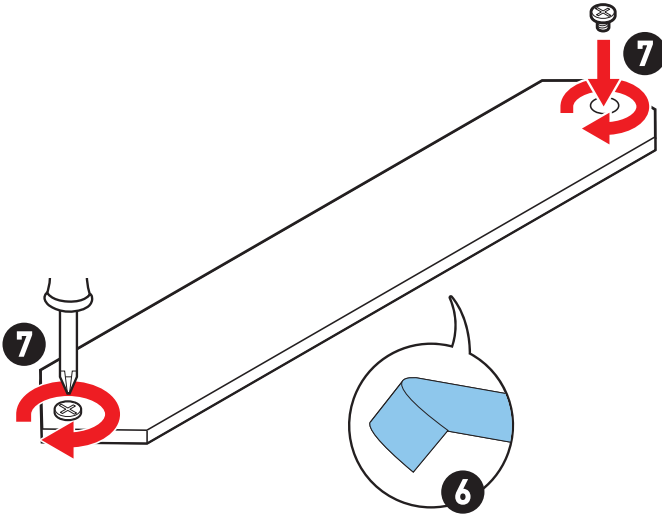
3. Entfernen oder tauschen Sie die Schrauben entsprechend Ihrer M.2-SSD-Länge aus. Überspringen Sie diesen Schritt, wenn Sie eine 2280 SSD installieren.



4. Stecken Sie eine M.2-SSD im 30-Grad-Winkel in den M.2-Steckplatz.
5. Drehen Sie den EZ M.2 Clip, um die M.2 SSD zu befestigen.

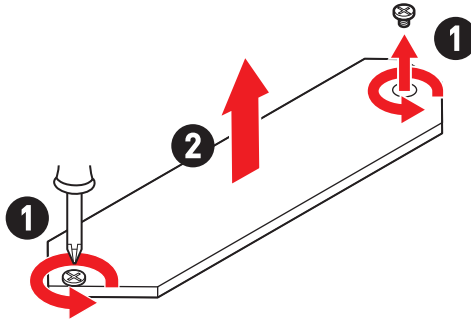


6. Entfernen Sie die Schutzfolie vom Wärmeleitpad unter dem M.2 Shield Frozr-Kühlkörper.
7. Setzen Sie den M.2 SHIELD FROZR-Kühlkörper wieder ein und sichern Sie ihn.

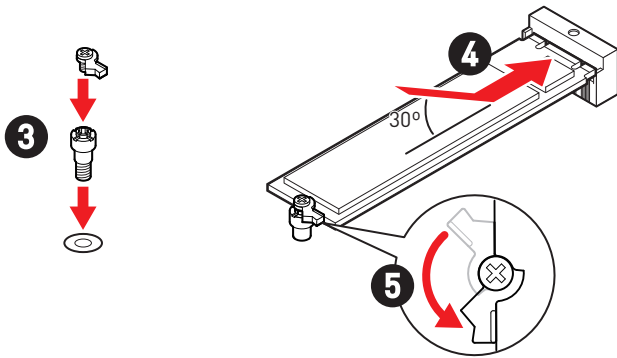


Installieren des M.2-Moduls im M2_2-Steckplatz

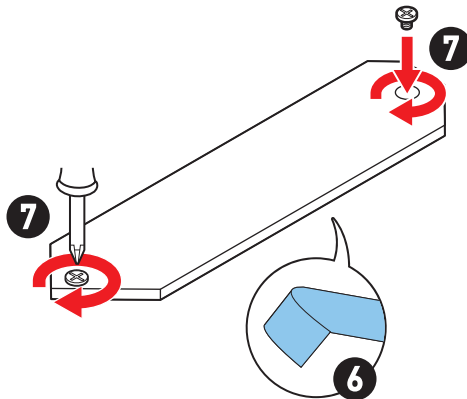
1. Lösen Sie die Schraube des M.2-SHIELD FROZR-Kühlkörpers.
2. Heben Sie den M.2 Shield Frozr-Kühlkörper an und entfernen Sie ihn.



3. Installieren Sie den mitgelieferten EZ M.2 Clip entsprechend Ihrer SSD Länge. Überspringen Sie diesen Schritt, wenn Sie eine 2280 SSD installieren.
4. Stecken Sie eine M.2-SSD im 30-Grad-Winkel in den M.2-Steckplatz.
5. Drehen Sie den EZ M.2 Clip, um die M.2 SSD zu befestigen. Überspringen Sie diesen Schritt, wenn Sie eine 2280 SSD installieren.

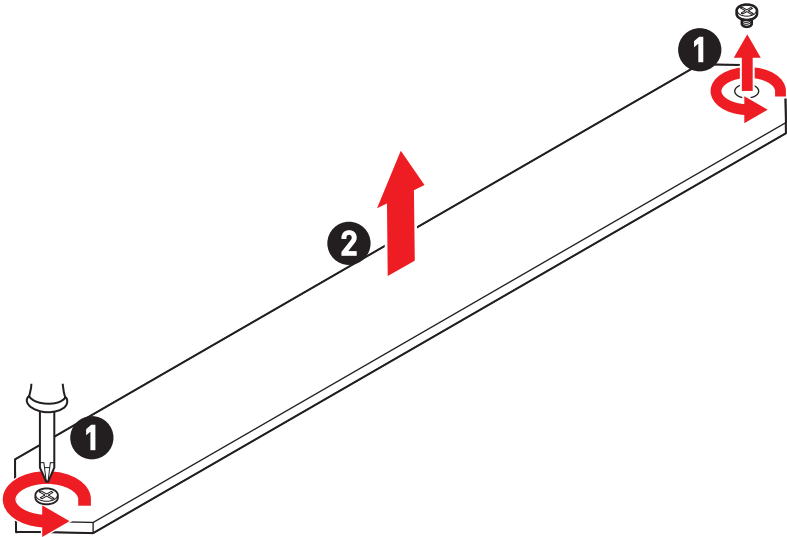


6. Entfernen Sie die Schutzfolie vom Wärmeleitpad unter dem M.2 Shield Frozr-Kühlkörper.
7. Setzen Sie den M.2 SHIELD FROZR-Kühlkörper wieder ein und sichern Sie ihn.

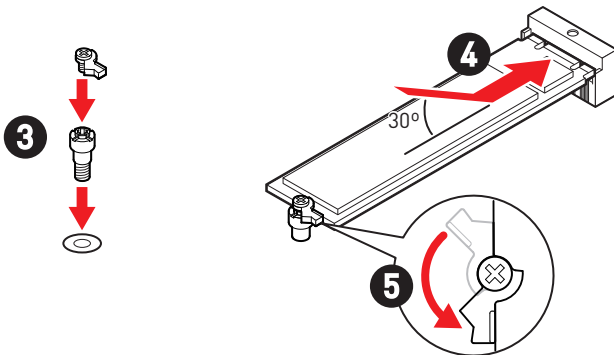


Installieren des M.2-Moduls im M2_3-Steckplatz

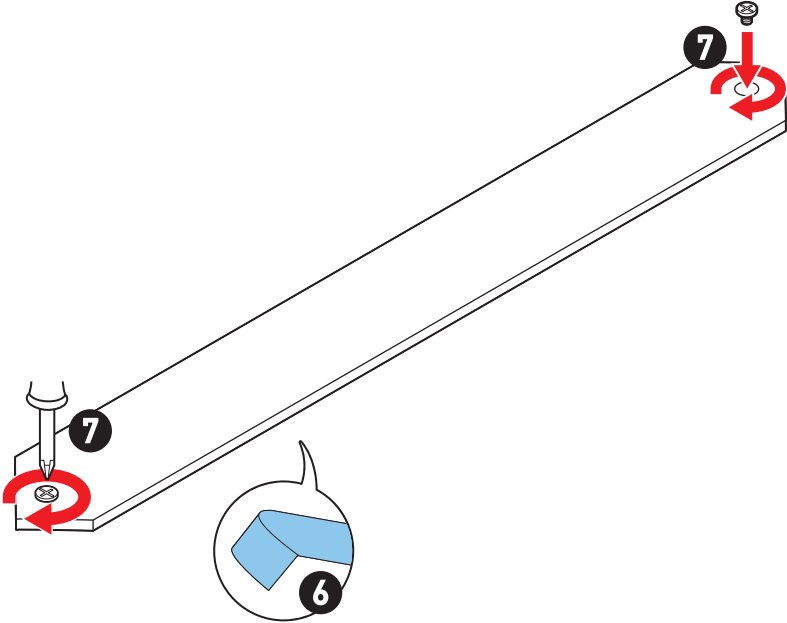
1. Lösen Sie die Schraube des M.2-SHIELD FROZR-Kühlkörpers.
2. Heben Sie den M.2 Shield Frozr-Kühlkörper an und entfernen Sie ihn.



3. Installieren Sie den mitgelieferten EZ M.2 Clip entsprechend Ihrer SSD Länge. Überspringen Sie diesen Schritt, wenn Sie eine 2280 SSD installieren.
4. Stecken Sie eine M.2-SSD im 30-Grad-Winkel in den M.2-Steckplatz.
5. Drehen Sie den EZ M.2 Clip, um die M.2 SSD zu befestigen.

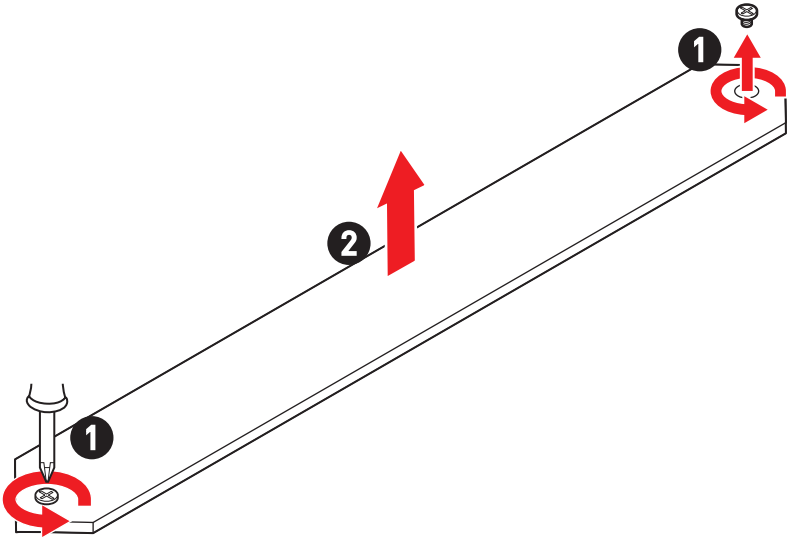


- Entfernen Sie die Schutzfolie vom Wärmeleitpad unter dem M.2 Shield Frozr-Kühlkörper.
- Setzen Sie den M.2 SHIELD FROZR-Kühlkörper wieder ein und sichern Sie ihn.

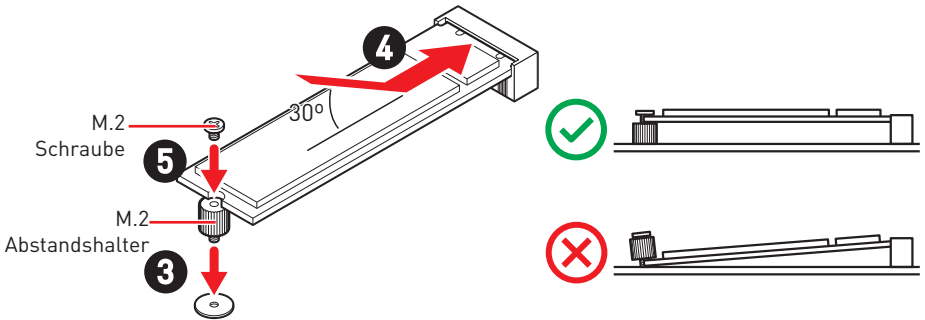


Installieren des M.2-Moduls im M2_4-Steckplatz

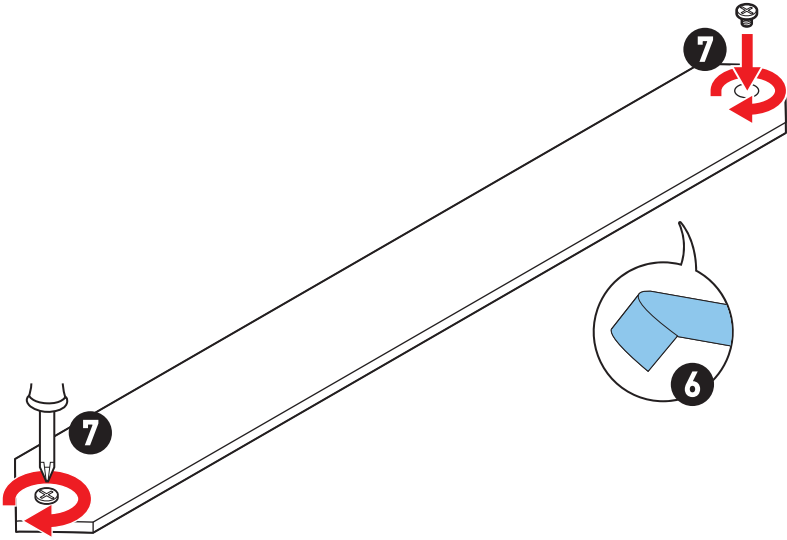
1. Lösen Sie die Schraube des M.2-SHIELD FROZR-Kühlkörpers.
2. Heben Sie den M.2 Shield Frozr-Kühlkörper an und entfernen Sie ihn.



3. Befestigen Sie den mitgelieferten M.2-Abstandshalter entsprechend Ihrer M.2 SSD Länge.
4. Stecken Sie eine M.2-SSD im 30-Grad-Winkel in den M.2-Steckplatz.
5. Schrauben Sie den M.2 SSD mit 8,5H M.2-Schraube.

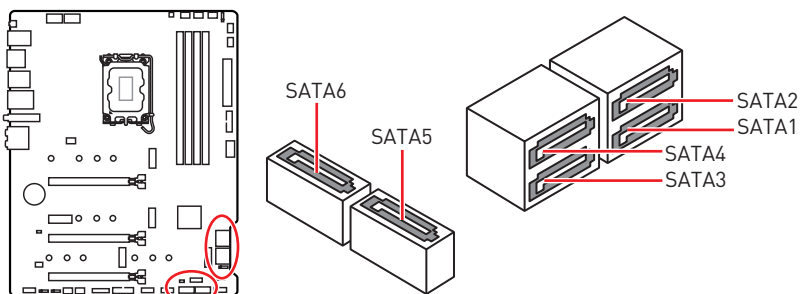


6. Entfernen Sie die Schutzfolie vom Wärmeleitpad unter dem M.2 Shield Frozr-Kühlkörper.
7. Setzen Sie den M.2 SHIELD FROZR-Kühlkörper wieder ein und sichern Sie ihn.



SATA1~6: SATA 6Gb/s Anschlüsse

Dieser Anschluss basiert auf der Hochgeschwindigkeitsschnittstelle SATA 6 Gb/s. Pro Anschluss kann ein SATA Gerät angeschlossen werden.

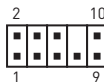
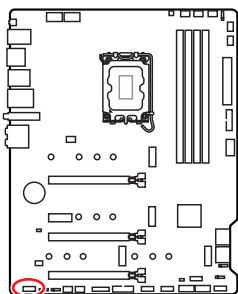


Wichtig

- Knicken Sie das SATA-Kabel nicht in einem 90° Winkel. Datenverlust könnte die Folge sein.
- SATA-Kabel haben identische Stecker an beiden Enden. Es wird empfohlen den flachen Stecker auf dem Motherboard einstecken.

JAUD1: Audioanschluss des Frontpanels

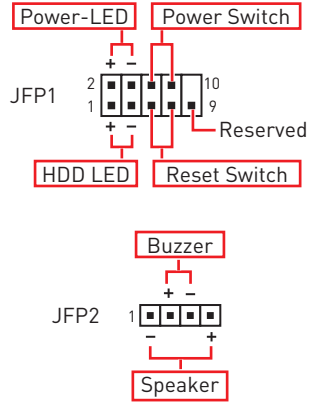
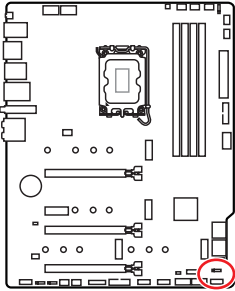
Dieser Anschluss ermöglicht den Anschluss von Audiobuchsen eines Frontpanels.



Pin	Signalname	Pin	Signalname
1	MIC L	2	Ground
3	MIC R	4	NC
5	Head Phone R	6	MIC Detection
7	SENSE_SEND	8	No Pin
9	Head Phone L	10	Head Phone Detection

JFP1, JFP2: Frontpanel-Anschlüsse

Der JFP1-Anschluss steuert das Einschalten, Zurücksetzen und die LEDs an Ihrem PC-Gehäuse/Gehäuse. Die Power /Reset-Stiftleisten dienen zum Anschluss der Power-/Reset-Taste. Der Power-LED-Anschluss wird mit der LED-Leuchte am PC-Gehäuse verbunden, und der HDD-LED-Anschluss zeigt die Aktivität der Festplatte an. Der JFP2-Anschluss ist für den Signaltongeber und Lautsprecher vorgesehen. Um die Kabel vom PC-Gehäuse an die richtigen Pins anzuschließen, sehen Sie sich bitte die folgenden Bilder an.

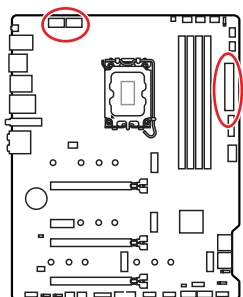


Wichtig

Bitte beachten Sie, dass Power-LED und HDD-LED eine positive und negative Verbindung haben, Sie müssen das Kabel mit dem entsprechenden positiven und negativen Anschluss auf dem Motherboard verbinden. Andernfalls werden die LEDs nicht richtig funktionieren.

CPU_PWR1~2, ATX_PWR1: Stromanschlüsse

Mit diesen Anschlüssen verbinden Sie die ATX Stromstecker.

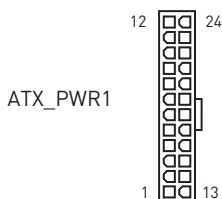
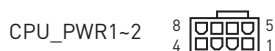


CPU_PWR1~2

Pin	Signalname	Pin	Signalname
1	Ground	2	Ground
3	Ground	4	Ground
5	+12V	6	+12V
7	+12V	8	+12V

ATX_PWR1

Pin	Signalname	Pin	Signalname
1	+3,3V	2	+3,3V
3	Ground	4	+5V
5	Ground	6	+5V
7	Ground	8	PWR OK
9	5VSB	10	+12V
11	+12V	12	+3,3V
13	+3,3V	14	-12V
15	Ground	16	PS-ON#
17	Ground	18	Ground
19	Ground	20	Res
21	+5V	22	+5V
23	+5V	24	Ground

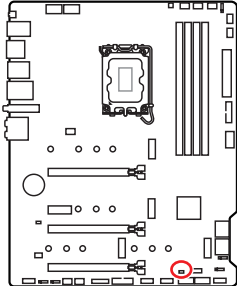


Wichtig

Stellen Sie sicher, dass alle Anschlüsse mit den richtigen Anschlüssen des Netzteils verbunden sind, um einen stabilen Betrieb der Hauptplatine sicherzustellen.

JCI1: Gehäusekontaktanschluss

Dieser Anschluss wird mit einem Kontaktschalter verbunden




Normal
(Standardwert)


Löse den
Gehäuseeingriff aus

Gehäusekontakt-Detektor verwenden

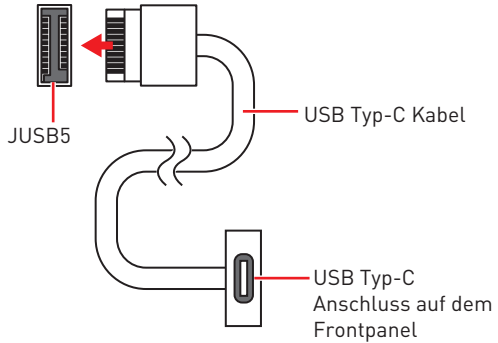
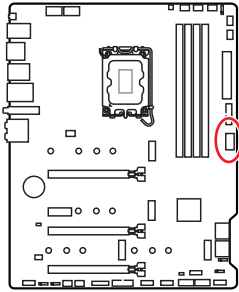
1. Schließen Sie den **JCI1** -Anschluss am Gehäusekontakt-Schalter/ Sensor am Gehäuse an.
2. Schließen Sie die Gehäuseabdeckung.
3. Gehen Sie zu **BIOS > SETTINGS > Security > Chassis Intrusion Configuration**.
4. Stellen Sie **Chassis Intrusion** auf **Enabled**.
5. Drücken Sie **F10** zum Speichern und Beenden und drücken Sie dann die **Enter**-Taste, um **Ja** auszuwählen.
6. Bei eingeschaltetem Computer wird eine Warnmeldung auf dem Bildschirm angezeigt, wenn die Gehäuseabdeckung wieder geöffnet wird.

Gehäusekontakt-Warnung zurücksetzen

1. Gehen Sie zu **BIOS > SETTINGS > Security > Chassis Intrusion Configuration**.
2. Stellen Sie **Chassis Intrusion** auf **Reset**.
3. Drücken Sie **F10** zum Speichern und Beenden und drücken Sie dann die **Enter**-Taste, um **Ja** auszuwählen.

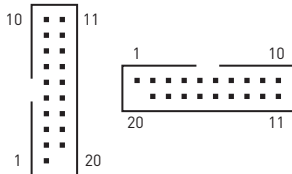
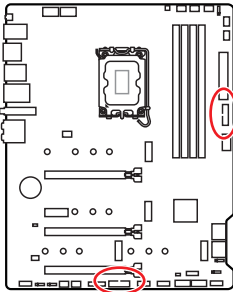
JUSB5: USB 3.2 Gen 2 Typ-C Frontplattenanschluss

Mit diesem Anschluss können Sie den USB 3.2 Gen 2 10 Gbit/s Typ-C Anschluss auf dem Frontpanel verbinden. Der Anschluss verfügt über ein besonders sicheres Design. Wenn Sie das Kabel anschließen, müssen Sie es in der entsprechenden Ausrichtung verbinden.



JUSB3~4: USB 3.2 Gen 1 Anschlüsse

Mit diesen Anschlüsse können Sie die USB 3.2 Gen 1 5Gbit/s Anschlüsse auf dem Frontpanel verbinden.



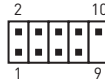
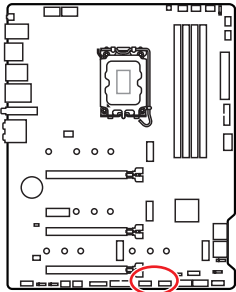
Pin	Signalname	Pin	Signalname
1	Power	2	USB3_RX_DN
3	USB3_RX_DP	4	Ground
5	USB3_TX_C_DN	6	USB3_TX_C_DP
7	Ground	8	USB2.0-
9	USB2.0+	10	Ground
11	USB2.0+	12	USB2.0-
13	Ground	14	USB3_TX_C_DP
15	USB3_TX_C_DN	16	Ground
17	USB3_RX_DP	18	USB3_RX_DN
19	Power	20	No Pin

Wichtig

Bitte beachten Sie, dass Sie die mit „Stromführende Leitung“ und „Erdleitung“ bezeichneten Pins korrekt verbinden müssen, ansonsten kann es zu Schäden kommen.

JUSB1~2: USB 2.0 Anschlüsse

Mit diesen Anschlüssen können Sie die USB 2.0 Anschlüsse auf dem Frontpanel verbinden.



Pin	Signalname	Pin	Signalname
1	VCC	2	VCC
3	USB0-	4	USB1-
5	USB0+	6	USB1+
7	Ground	8	Ground
9	No Pin	10	NC

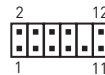
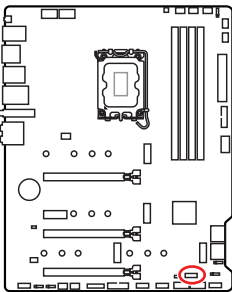


Wichtig

- Bitte beachten Sie, dass Sie die mit VCC (Stromführende Leitung) und Ground (Erdung) bezeichneten Pins korrekt verbinden müssen, ansonsten kann es zu Schäden kommen.
- Um ein iPad, iPhone und einen iPod über USB-Anschlüsse aufzuladen, installieren Sie bitte die MSI® Center-Dienstprogramm.

JTPM1: TPM Anschluss

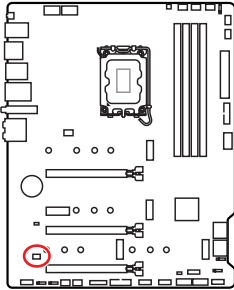
Dieser Anschluss wird für das TPM Modul (Trusted Platform Module) verwendet. Weitere Informationen über den Einsatz des optionalen TPM Modules entnehmen Sie bitte dem TPM Plattform Handbuch.



Pin	Signalname	Pin	Signalname
1	SPI Power	2	SPI Chip Select
3	Master In Slave Out (SPI Data)	4	Master Out Slave In (SPI Data)
5	Reserved	6	SPI Clock
7	Ground	8	SPI Reset
9	Reserved	10	No Pin
11	Reserved	12	Interrupt Request

JDASH1: Tuning Controller-Anschluss

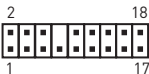
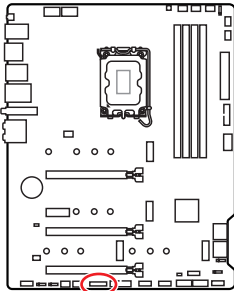
An diesem Anschluss wird ein optionales Tuning Controller-Modul angeschlossen.



Pin	Signalname	Pin	Signalname
1	No Pin	2	NC
3	MCU_SMB_SCL_M	4	MCU_SMB_SDA_M
5	VCC5	6	Ground

JTBT_U4_1: USB4-Erweiterungskartenanschluss

Mit diesem Anschluss können Sie die MSI USB4 PD100W Erweiterungskarte anschließen.



Pin	Signalname	Pin	Signalname
1	TBT_Force_PWR	2	TBT_S0IX_Entry_REQ
3	TBT_CIO_Plug_Event#	4	TBT_S0IX_Entry_ACK
5	SLP_S3#_TBT	6	TBT_PSON_Override_N
7	SLP_S5#_TBT	8	Net Name
9	Ground	10	SMBCLK_VSB
11	DG_PEWake	12	SMBDATA_VSB
13	TBT_RTD3_PWR_EN	14	Ground
15	TBT_Card_DET_R#	16	PD_IRQ#
17	GPP_C22	18	GPP_E3

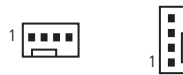
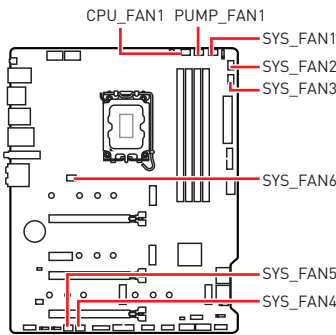
CPU_FAN1, PUMP_FAN1, SYS_FAN1~6: Stromanschlüsse für Lüfter

Diese Anschlüsse können im PWM (Pulse Width Modulation) Modus oder Spannungsmodus betrieben werden. Im PWM-Modus bieten die Lüfteranschlüsse konstante 12V Ausgang und regeln die Lüftergeschwindigkeit per Drehzahlsteuersignal. Im DC-Modus bestimmen die Lüfteranschlüsse die Lüftergeschwindigkeit durch Ändern der Spannung. Der Auto-Modus der Lüfteranschlüsse kann den PWM- und DC-Modus automatisch erfassen.

Sie können unter **BIOS > HARDWARE MONITOR** die Lüfterdrehzahl ändern. Damit können Sie DC oder PWM auf Ihren Lüftermodus einstellen. Wählen Sie den **Smart Fan Mode**, die Lüftergeschwindigkeit ändert sich entsprechend der CPU- oder Systemtemperatur. Deaktivieren Sie den **Smart Fan Mode**, der Lüfter dreht sich mit maximaler Geschwindigkeit.



Überprüfen Sie die ordnungsgemäße Funktion der Lüfter nach dem Umschalten des PWM-/ DC-Modus.



Pin-Belegung des PWM-Modus

Pin	Signalname	Pin	Signalname
1	Ground	2	+12V
3	Sense	4	Speed Control Signal

Pin-Belegung des DC-Modus

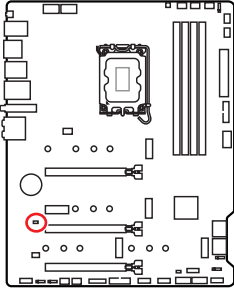
Pin	Signalname	Pin	Signalname
1	Ground	2	Voltage Control
3	Sense	4	NC

Spezifikationen des Lüfteranschlusses

Anschluss	Standard-lüftermodus	Max. Strom	Max. Leistung
CPU_FAN1	Auto Modus	2A	24W
PUMP_FAN1	PWM Modus	3A	36W
SYS_FAN1~6	DC Modus	1A	12W

JBAT1: Clear CMOS Steckbrücke (Reset BIOS)

Der Onboard CMOS Speicher (RAM) wird durch eine externe Spannungsversorgung durch eine Batterie auf dem Motherboard versorgt, um die Daten der Systemkonfiguration zu speichern. Wenn Sie die Systemkonfiguration löschen wollen, müssen Sie die Steckbrücke für kurze Zeit umsetzen.



Daten
beibehalten
(Standardwert)



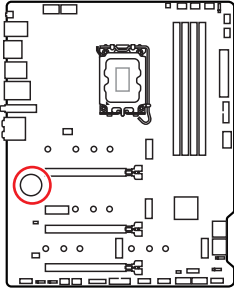
CMOS-Daten
löschen/ Reset des
BIOS

Rücksetzen des BIOS auf Standardwerte

1. Schalten Sie den Computer ab und ziehen Sie das Netzkabel ab.
2. Verwenden Sie eine Steckbrücke, um **JBAT1** für 5-10 Sekunden kurzzuschließen.
3. Entfernen Sie die Steckbrücke von **JBAT1**.
4. Stecken Sie das Kabel Ihres Computers in die Steckdose hinein und schalten Sie den Computer ein.

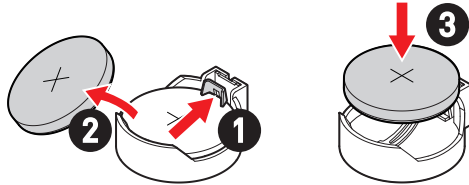
BAT1: CMOS Batterie

Wenn die CMOS-Batterie leer ist, wird die Uhrzeit im BIOS zurückgesetzt und die Daten der Systemkonfiguration gehen verloren. In diesem Fall müssen Sie die CMOS-Batterie ersetzen.



Ersetzen der Batterie

1. Drücken Sie auf die Halteklammer, um den Akku zu lösen.
2. Entfernen Sie die Batterie aus dem Sockel.
3. Setzen Sie die neue CR2032-Knopfzellenbatterie mit dem +-Zeichen nach oben ein. Stellen Sie sicher, dass die Halterung die Batterie sicher hält.



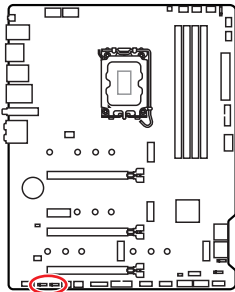
WARNUNG

Für Kinder unzugänglich aufbewahren

- Das Verschlucken kann zu Verätzungen, Perforation von Weichteilen und Tod führen.
- Schwere Verbrennungen können innerhalb von 2 Stunden nach Verschlucken auftreten.
- Falls eine Batterie verschluckt wurde oder ins Körperinnere gelangt ist, suchen Sie sofort einen Arzt auf!

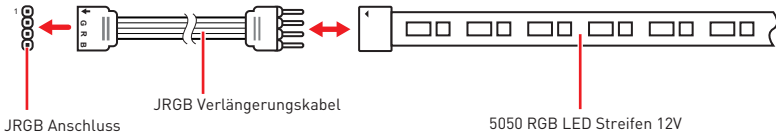
JRGB1~2: RGB LED Anschluss

Mit den JRGB Anschlüsse können Sie den 5050 RGB-LED-Streifen (12 V) anschließen.

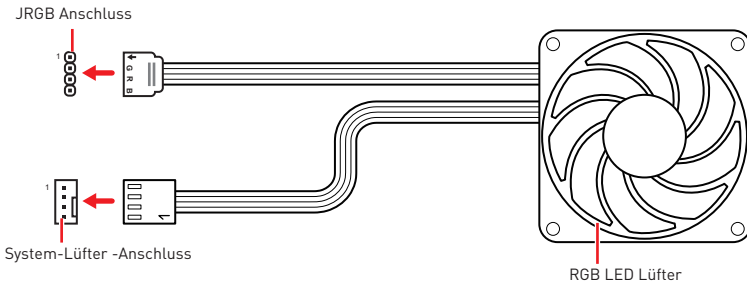


Pin	Signalname	Pin	Signalname
1	+12V	2	G
3	R	4	B

RGB-LED-Streifen anschließen



RGB-LED-Lüfteranschluss

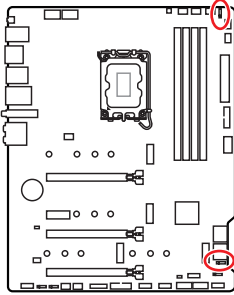


Wichtig

- Der JRGB Anschluss unterstützt bis zu 2 Metern 5050 RGB LED-Streifen (12V/G/R/B) mit der maximalen Leistung von 3 A (12 V)
- Schalten Sie die Stromversorgung aus und ziehen Sie das Netzkabel ab, bevor Sie die RGB-LED-Streifen ein- und ausbauen.
- Bitte verwenden Sie die MSI-Software zur Steuerung des LED-Leuchtstreifens.

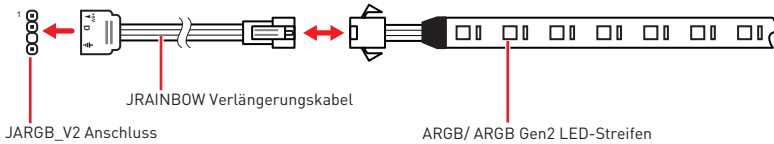
JARGB_V2_1~2: A-RAINBOW V2 (ARGB Gen2) LED Anschlüsse

Mit den JARGB_V2-Anschlüssen können Sie die ARGB Gen2 und die ARGB-basierten LED-Streifen anschließen. Der JARGB_V2-Anschluss unterstützt bis zu 240 einzeln adressierbare RGB-LEDs mit einer maximalen Nennleistung von 3 A (5 V).

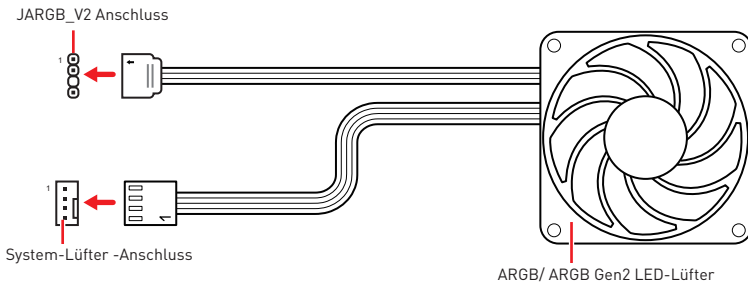


Pin	Signalname	Pin	Signalname
1	+5V	2	Data
3	No Pin	4	Ground

Adressierbarer RGB-LED-Streifen anschließen



Adressierbarer RGB-LED-Lüfteranschluss



ACHTUNG

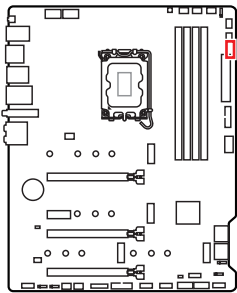
Schließen Sie nur passende LED-Streifen an. Der JRGB-Anschluss und der JARGB_V2-Anschluss liefern unterschiedliche Spannungen, und das Anschließen des ARGB 5V LED-Streifens an den JRGB-Anschluss führt zu einer Beschädigung des LED-Streifens.




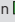
Wichtig

- Wir empfehlen dringend, LED-Streifen mit der gleichen Spezifikation zu installieren, um die besten Effekte zu erzielen.
- Schalten Sie die Stromversorgung aus und ziehen Sie das Netzkabel ab, bevor Sie die RGB-LED-Streifen ein- und ausbauen.
- Bitte verwenden Sie die MSI-Software zur Steuerung des LED-Leuchtstreifens.

EZ DEBUG LED

Diese LEDs zeigen den Debug-Status des Motherboards an.



LED-Farbe	Zustand
Rot 	CPU wird nicht erkannt oder ist fehlerhaft.
Gelb 	DRAM wird nicht erkannt oder ist fehlerhaft.
Weiß 	GPU wird nicht erkannt oder ist fehlerhaft.
Grün 	Boot-Gerät wird nicht erkannt oder ist fehlerhaft.

Installation von OS, Treibern & MSI Center

Laden Sie die neuesten Treiber und Dienstprogramme von www.msi.com herunter und aktualisieren Sie sie.

Installation von Windows 10/ Windows 11

1. Schalten Sie den Computer ein.
2. Legen Sie die Windows 10/ Windows 11-Installations-Disk oder das USB-Flashlaufwerk in das optische Laufwerk.
3. Drücken Sie die Taste **Restart** auf dem Computergehäuse.
4. Press **F11** key during the computer POST (Power-On Self Test) to get into Boot Menu.
5. Wählen Sie die Windows 10/ Windows 11-Installations-Disk oder USB aus dem Bootmenu.
6. Wenn eine entsprechende Meldung **Press any key to boot from CD or DVD...** angezeigt wird, drücken Sie eine beliebige Taste. Wenn diese Nachricht nicht angezeigt wird, überspringen Sie bitte diesen Schritt.
7. Folgen Sie den Anweisungen auf dem Bildschirm, um das Dienstprogramm „Windows® 10/ Windows 11“ zu installieren.

Installieren von Treibern mit MSI® Treiber-DVD

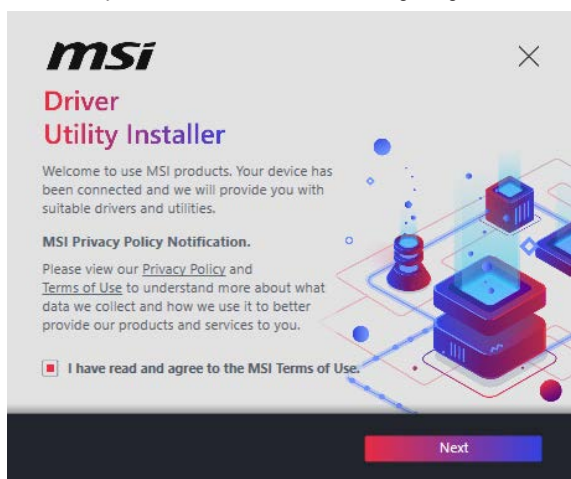
1. Starten Sie Ihren Computer mit Windows 10/ Windows 11.
2. Legen Sie die MSI® Treiber-DVD in das optische Laufwerk.
3. Klicken Sie auf die Pop-up-Meldung **Wählen Sie eine Aktion für Wechseldatenträger aus** , und wählen Sie **DVDSetup.exe starten** aus, um den Installer zu öffnen. Wenn Sie die AutoPlay-Funktionen in der Windows-Systemsteuerung ausschalten, können Sie das Programm **DVDSetup.exe** im Hauptverzeichnis des MSI Treiber DVD auch manuell ausführen.
4. Der Installer wird eine Liste aller benötigten Treiber auf der **Treiber/ Software-**Registerkarte finden.
5. Klicken Sie auf **Install** in der rechten unteren Ecke des Fensters.
6. Die Treiber-Installation läuft. Wenn die Installation abgeschlossen ist, werden Sie dazu aufgefordert, den Computer neu zu starten.
7. Klicken Sie zum Beenden auf **OK**.
8. Starten Sie Ihren Computer neu.

Installation von Treibern mit dem MSI Driver Utility Installer

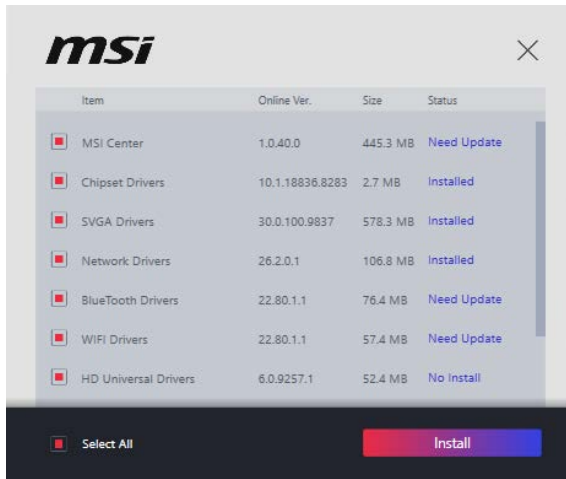


Wichtig

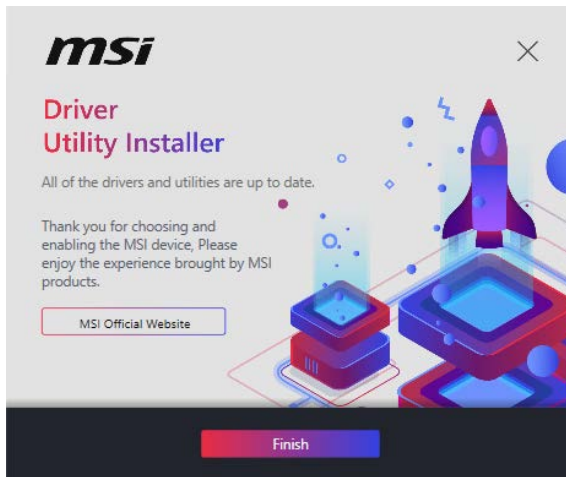
- Einige neue Netzwerkchips wurden von Windows 10/Windows 11 nicht nativ unterstützt. Es wird empfohlen, den LAN-Treiber zu installieren, bevor Sie die Treiber mit dem MSI Driver Utility Installer installieren. Informationen zur Installation des LAN-Treibers für Ihr Motherboard finden Sie unter: www.msi.com.
 - Das MSI Driver Utility Installer wird nur einmal angezeigt. Wenn Sie es während des Vorgangs abbrechen oder schließen, lesen Sie bitte das Kapitel „Live Update“ im MSI Center-Handbuch, um die Treiber zu installieren. Sie können auch zu www.msi.com gehen, um Ihr Motherboard zu durchsuchen und die Treiber herunterzuladen.
 - MSI Driver Utility Installer needs to be installed over the internet.
1. Starten Sie Ihren Computer mit Windows 10/ Windows 11.
 2. Wählen Sie **Start > Einstellungen > Windows-Update**, und wählen Sie dann im Menü **„Nach Updates suchen“**.
 3. Das MSI Driver Utility Installer wird automatisch angezeigt.



4. Aktivieren Sie das Kontrollkästchen **„Ich habe die MSI-Nutzungsbedingungen gelesen und stimme ihnen zu“** und klicken Sie dann auf **„Weiter“**.



5. Aktivieren Sie das Kontrollkästchen **„Alle auswählen“** in der unteren linken Ecke und klicken Sie auf **„Installieren“**, um MSI Center und Treiber zu installieren. Der Fortschritt der Installation wird am unteren Rand des Fensters angezeigt.



6. Nachdem die Installation erfolgreich ausgeführt wurde, klicken Sie auf **Fertigstellen**.

MSI Center

MSI Center ist eine Anwendung, mit der Sie die Spieleinstellungen einfach optimieren und die Software zur Erstellung von Inhalten einstellen können. Außerdem können Sie LED-Lichteffekte in PCs und anderen MSI-Produkten steuern und synchronisieren. Mit MSI Center können Sie ideale Modi einstellen, die Systemleistung überwachen und die Lüftergeschwindigkeit anpassen.

MSI Center Benutzerhandbuch



Wenn Sie weitere Informationen zu MSI Center wünschen, besuchen Sie bitte

<http://download.msi.com/manual/mb/MSICENTER.pdf>

oder scannen Sie den QR-Code.



Wichtig

Die Funktionen können je nach Produkt variieren.

UEFI BIOS

Das MSI UEFI-BIOS ist mit der UEFI-Architektur (Unified Extensible Firmware Interface) kompatibel. Das UEFI-BIOS hat viele neue Funktionen und besitzt Vorteile, die das traditionelle BIOS nicht bieten kann. Es wird zukünftige PCs und Geräte, die der UEFI-Firmware-Architektur entsprechen, vollständig unterstützen. Das MSI UEFI-BIOS verwendet UEFI als Standard-Startmodus, um die Funktionen des neuen Chipsatzes voll auszunutzen.



Wichtig

Der Begriff „BIOS“ bezieht sich in diesem Benutzerhandbuch auf das UEFI-BIOS, sofern nicht anders angegeben.

Vorteile von UEFI

- Schnelles Booten - UEFI kann das Betriebssystem direkt booten und den BIOS-Selbsttestprozess speichern. Außerdem entfällt die Zeit, um während des POST in den CSM-Modus zu wechseln.
- Unterstützt Festplattenpartitionen, die größer als 2 TB sind.
- Unterstützt mehr als 4 primäre Partitionen mit einer GUID-Partitionstabelle (GPT).
- Unterstützt eine unbegrenzte Anzahl an Partitionen.
- Unterstützt den vollen Funktionsumfang neuer Geräte – neue Geräte bieten möglicherweise keine Abwärtskompatibilität.
- Unterstützt sicheren Start – UEFI kann die Gültigkeit des Betriebssystems überprüfen, um sicherzustellen, dass keine Malware den Startvorgang beeinträchtigt.

Inkompatible UEFI-Fälle

- **32-Bit-Windows-Betriebssystem** - Dieses Motherboard unterstützt nur das 64-Bit-Windows 10/ Windows 11-Betriebssystem.
- **Ältere Grafikkarten** - Das System erkennt Ihre Grafikkarte. Bei Erkennung einer nicht kompatiblen Grafikkarte wird die Warnmeldung **„Auf dieser Grafikkarte wurde keine GOP-Unterstützung (Graphics Output Protocol) erkannt“** angezeigt.



Wichtig

Wir empfehlen Ihnen, eine GOP / UEFI-kompatible Grafikkarte zu nutzen oder eine CPU mit integrierter Grafikeinheit zu verwenden, um eine normale Funktion des Systems zu gewährleisten.

Wie überprüfe ich den BIOS-Modus?

1. Schalten Sie den Computer ein.
2. Während des BOOT-Vorgangs drücken Sie die Taste **ENTF**, wenn die Meldung **Press DEL key to enter Setup Menu, F11 to enter Boot Menu** erscheint.
3. Nach dem Aufrufen des BIOS können Sie den **BIOS-Modus** oben auf dem Bildschirm überprüfen.

BIOS Mode: UEFI

BIOS Setup

Die Standardeinstellungen bieten die optimale Leistung für die Systemstabilität unter Normalbedingungen. Sie sollten **immer die Standardeinstellungen behalten**, um mögliche Schäden des Systems oder Boot-Fehler zu vermeiden, außer Sie besitzen ausreichende BIOS Kenntnisse.



Wichtig

- *BIOS Funktionen werden für eine bessere Systemleistung kontinuierlich aktualisiert. Deswegen können die Beschreibungen leicht von der letzten Fassung des BIOS abweichen und sollten demnach nur als Anhaltspunkte dienen. Für eine Beschreibung der BIOS Funktionen rufen Sie die **HELP** Informationstafel aus.*
- *Die BIOS-Bildschirme, -Optionen und -Einstellungen variieren je nach System.*

Öffnen des BIOS Setups

Während des BOOT-Vorgangs drücken Sie die Taste **ENTF**, wenn die Meldung **Press DEL key to enter Setup Menu, F11 to enter Boot Menu** erscheint.

Funktionstasten

- F1:** Allgemeine Hilfe
- F2:** Hinzufügen/Entfernen eines Favoritenpunkts
- F3:** Öffnen des Favoriten Menüs
- F4:** Öffnen des Menüs CPU-Spezifikationen
- F5:** Öffnen des Memory-Z Menüs
- F6:** Laden der ursprünglichen Setup-Standardwerte
- F7:** Wechselt zwischen dem Erweiterten-Modus und EZ-Modus
- F8:** OC-Profil wird vom USB-Stick geladen
- F9:** OC-Profil wird auf einem USB-Stick gespeichert
- F10:** Speichern oder Zurücksetzen der Änderungen*
- F12:** Macht einen Screenshot und speichert auf einen FAT/FAT32-USB-Laufwerk.
- Strg+F:** Öffnet die Suchseite

* Beim Drücken der F10 Taste wird das Fenster zum Speichern der Einstellungen angezeigt. Wählen Sie **Yes**, um die Wahl zu bestätigen, oder **No**, um die derzeitige Einstellung beizubehalten.

BIOS-Benutzerhandbuch



Wenn Sie weitere Anweisungen zur BIOS-Einrichtung wünschen, lesen Sie bitte

https://download.msi.com/archive/mnu_exe/mb/Intel700BIOSde.pdf
oder scannen Sie den QR-Code.



Wichtig

Die Funktionen können je nach Produkt variieren.

Reset des BIOS

Sie können die Werkseinstellung wieder herstellen, um bestimmte Probleme zu lösen. Es gibt verschiedene Möglichkeiten, um das BIOS zurückzusetzen:

- Öffnen Sie das BIOS und drücken Sie **F6**, um optimierten Einstellungen zu laden.
- Schließen Sie die **Clear CMOS Steckbrücke** an das Motherboard an.



*Stellen Sie sicher, dass Ihr Computer ausgeschaltet ist, bevor Sie die CMOS-Daten löschen. Bitte lesen Sie für Informationen zum BIOS-Reset im Bereich „**Clear CMOS Steckbrücke**“ nach.*

Aktualisierung des BIOS

Aktualisierung des BIOS mit dem M-FLASH-Programm

Vorbereitung:

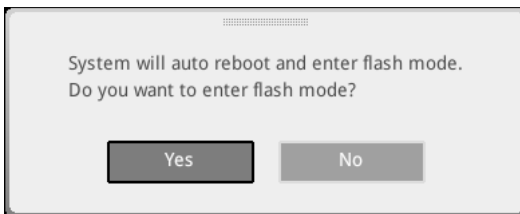
Laden Sie bitte die neueste BIOS Version, die dem Motherboard-Modell entspricht, von der offiziellen MSI Website herunter. und speichern Sie die BIOS-Datei auf USB-Flash-Laufwerk.

BIOS-Aktualisierungsschritte:

1. Wechseln Sie mit dem Multi-BIOS-Switch zum Ziel-BIOS-ROM. Überspringen Sie diesen Schritt, wenn Ihr Motherboard diesen Schalter nicht hat.
2. Schließen das USB-Flashlaufwerk mit der BIOS-Datei an den Computer.
3. Bitte folgen Sie den nachfolgenden Schritten, um in den Blitz-Modus zu schalten.
 - Beim Neustart drücken Sie während des **POST**-Vorgangs die Taste **Ctrl + F5** und klicken Sie auf **Yes (Ja)**, um das System neu zu starten.

Press <Ctrl+F5> to activate M-Flash for BIOS update.

- Beim Neustart drücken Sie während des POST-Vorgangs die Taste **Del (Entf)** während des POST-Vorgangs die Taste. Klicken Sie die Taste **M-FLASH** und klicken Sie auf **Yes (Ja)**, um das System neu zu starten.



4. Wählen Sie die BIOS-Datei zur Durchführung des BIOS-Aktualisierungsprozesses aus.
5. Klicken Sie auf **Ja**, wenn Sie dazu aufgefordert werden, um die Wiederherstellung des BIOS zu starten.
6. Nachdem das Flashen des BIOS vollständig ist, startet das System automatisch neu.

Aktualisierung des BIOS mit MSI Center

Vorbereitung:

- Stellen Sie sicher, dass zuvor die LAN-Treiber installiert wurden und eine Internetverbindung eingerichtet ist.
- Bitte schließen Sie jegliche andere Anwendungssoftware, bevor Sie das BIOS aktualisieren.

Schritte zur Aktualisierung des BIOS:

1. Installieren und starten Sie „MSI Center“ und gehen Sie zur **Support**-Seite.
2. Wählen Sie **Live Update** aus und klicken Sie auf die Schaltfläche **Advance**.
3. Wählen Sie die BIOS-Datei aus und klicken Sie auf das **Install**-Symbol.
4. Die Installationsanweisung wird angezeigt, klicken Sie daraufhin auf die Schaltfläche **Install**.
5. Das System wird automatisch neu gestartet, um das BIOS zu aktualisieren.
6. Nachdem das Flashen des BIOS vollständig ist, startet das System automatisch neu.

Aktualisierung des BIOS mit Flash BIOS Taste

1. Laden Sie bitte die neueste BIOS Version, die das Modell des Motherboards entspricht, von der offiziellen MSI® Website.
2. Benennen die BIOS-Datei im MSI.ROM um und speichern Sie die Datei im Root-Verzeichnis des USB 2.0-Speichermedien.
3. Verbinden Sie die Stromversorgung an dem **CPU_PWR1** und **ATX_PWR1**-Stecker. (Sie benötigen keine CPU und keinen Speicher zu installieren)
4. Stecken Sie das USB-Speichergerät, das die MSI.ROM-Datei enthält, in dem **Anschluss des Flash BIOS** auf der Rückseite E/A des Panels ein.
5. Drücken Sie die Taste **Flash BIOS**, um das BIOS zu flashen, nun beginnt die Flash BIOS LED zu blinken.
6. Nachdem das Flashen des BIOS vollständig ist, erlischt die Flash BIOS LED.

Table des matières

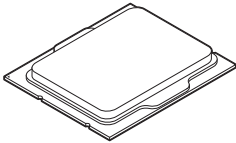
Démarrage rapide	3
Caractéristiques	15
Fonctions spéciales.....	19
Contenu	20
Connecteurs du panneau arrière.....	21
Tableau d'état LED du port LAN.....	22
Connexion des prises audio	22
Installation des antennes	24
Vue d'ensemble des composants	25
Socket CPU	26
Slots DIMM.....	27
PCI_E1~4 : Slots d'extension PCIe.....	28
M2_1~4 : Slots M.2 (Clé M).....	29
SATA1~6 : Connecteurs SATA 6 Gb/s.....	38
JAUD1 : Connecteur audio avant.....	38
JFP1, JFP2 : Connecteurs du panneau avant	39
CPU_PWR1~2, ATX_PWR1 : Connecteurs d'alimentation.....	40
JCI1 : Connecteur d'intrusion châssis	41
JUSB5 : Connecteur USB 3.2 Gen 2 Type-C du panneau avant.....	42
JUSB3~4 : Connecteurs USB 3.2 Gen 1	42
JUSB1~2 : Connecteurs USB 2.0.....	43
JTPM1 : Connecteur de module TPM.....	43
JDASH1 : Connecteur du contrôleur de réglages.....	44
JTBT_U4_1 : Connecteur de carte d'extension USB4	44
CPU_FAN1, PUMP_FAN1, SYS_FAN1~6 : Connecteurs de ventilateur	45
JBAT1 : Cavalier Clear CMOS (Réinitialiser le BIOS).....	46
BAT1 : Pile CMOS.....	47
JRGB1~2 : Connecteur LED RGB	48
JARGB_V2_1~2 : Connecteurs LED A-RAINBOW V2 (ARGB Gen2)	49
EZ Debug LED.....	50

Installer le système d'exploitation, les pilotes et MSI Center	51
Installer les pilotes avec MSI Driver Utility Installer	52
UEFI BIOS.....	55
Configuration du BIOS.....	56
Réinitialiser le BIOS.....	57
Mettre le BIOS à jour	57

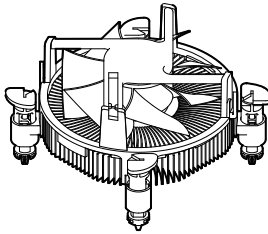
Démarrage rapide

Merci d'avoir acheté cette nouvelle carte mère MSI®. Cette section de démarrage rapide fournit des explications sur son installation dans votre ordinateur. Certains processus d'installations proposent également des démonstrations vidéo. Veuillez visiter l'URL pour regarder la vidéo sur le navigateur Web de votre téléphone ou de votre tablette. Vous pouvez également visiter l'URL en scannant le code QR.

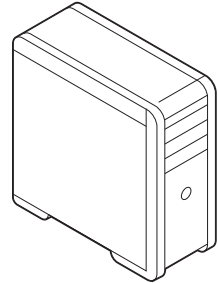
Outils de préparation et composants



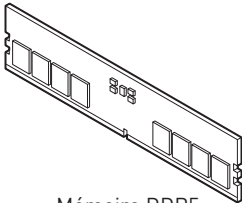
Intel® LGA1700 CPU



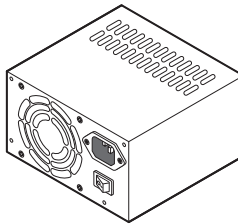
Ventilateur de processeur
LGA1700



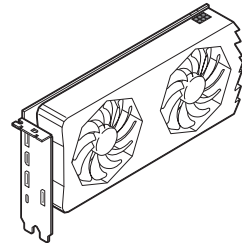
Châssis



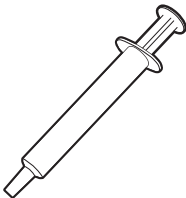
Mémoire DDR5



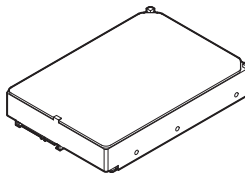
Bloc d'alimentation



Carte graphique



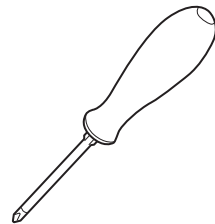
Pâte thermique



Disque dur SATA



Un paquet de vis



Tournevis cruciforme

Informations de sécurité

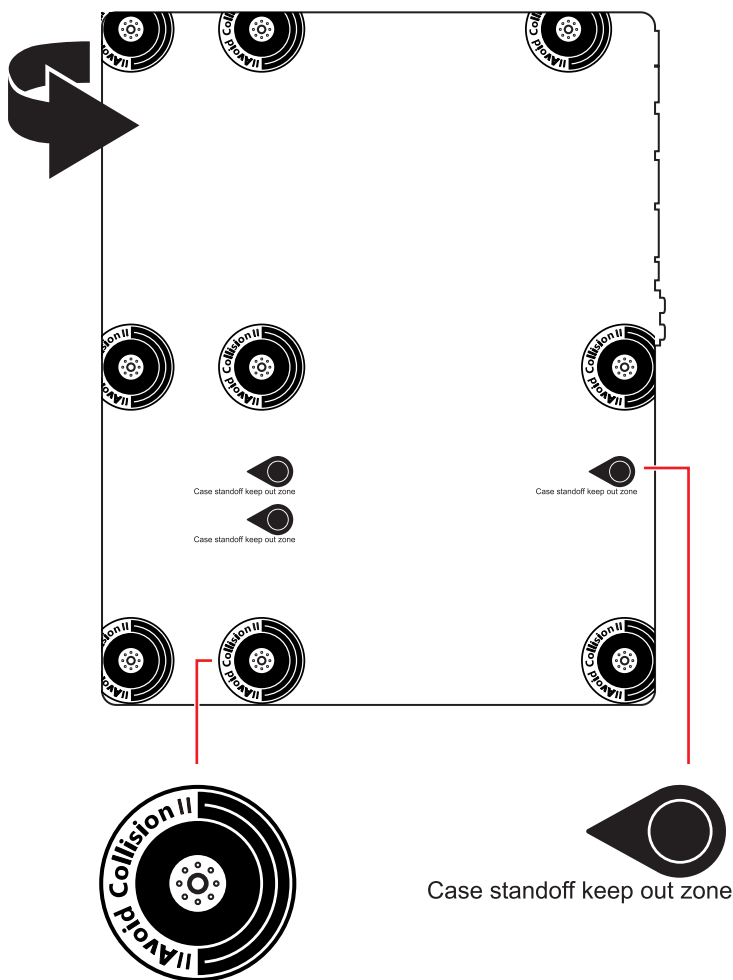
- Les composants dans l'emballage peuvent être endommagés par des décharges électrostatiques (ESD). Pour vous assurer de correctement monter votre ordinateur, veuillez vous référer aux instructions ci-dessous.
- Assurez-vous de bien connecter tous les composants. En cas de mauvaise connexion, il se peut que l'ordinateur ne reconnaisse pas le composant et que le démarrage échoue.
- Veuillez tenir la carte mère par les bords pour éviter de toucher les composants sensibles.
- Il est recommandé de porter un bracelet antistatique lors de la manipulation de la carte mère pour prévenir tout dommage. Si vous n'avez pas de bracelet antistatique, touchez un objet métallique relié à la terre avant de manipuler la carte mère afin de vous décharger de votre charge statique. Touchez régulièrement l'objet métallique pendant toute la manipulation.
- Tant que la carte mère n'est pas installée, conservez-la dans un récipient protégé contre les ondes électrostatiques ou sur une couche antistatique.
- Avant de démarrer l'ordinateur, vérifiez si toutes les vis et les composants métalliques sont bien fixés sur la carte mère ou ailleurs dans le boîtier de l'ordinateur.
- Ne démarrez pas l'ordinateur avant d'avoir terminé l'installation. Ceci peut endommager les composants ou vous blesser.
- Si vous avez besoin d'aide pendant l'installation, veuillez consulter un technicien informatique certifié.
- Avant d'installer les composants d'ordinateur, veuillez toujours mettre hors tension et débrancher le cordon d'alimentation.
- Gardez ce manuel pour références futures.
- Protégez ce manuel contre l'humidité.
- Avant de brancher le bloc d'alimentation sur la sortie électrique, veuillez vous assurer que la tension de la sortie électrique est bien égale à celle du bloc d'alimentation.
- Placez le cordon d'alimentation de façon à éviter que l'on marche dessus. Ne posez rien sur le cordon d'alimentation.
- Veuillez prêter attention à toutes les alertes et remarques indiquées sur la carte mère.
- Dans un cas comme ci-dessous, faites appel au service autorisé pour vérifier votre carte mère :
 - Un liquide a pénétré dans l'ordinateur.
 - La carte mère a été exposée à l'humidité.
 - La carte mère ne fonctionne pas comme indiqué dans les instructions.
 - La carte mère est tombée par terre et a été endommagée.
 - La carte mère est cassée.
- Ne pas mettre la carte mère dans un environnement dont la température est supérieure à 60 °C (140 °F) sous peine de l'endommager.

Avertissement pour l'installation des entretoises

Pour éviter d'endommager la carte mère, il est interdit d'installer des entretoises inutiles entre le circuit de la carte mère et le boîtier de l'ordinateur. Les signes de zone interdite (Keep Out Zone) sont marqués à l'arrière de la carte mère (comme indiqué ci-dessous) pour servir d'avertissement à l'utilisateur.

Zone de protection

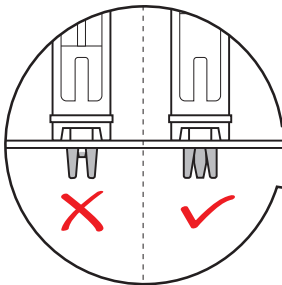
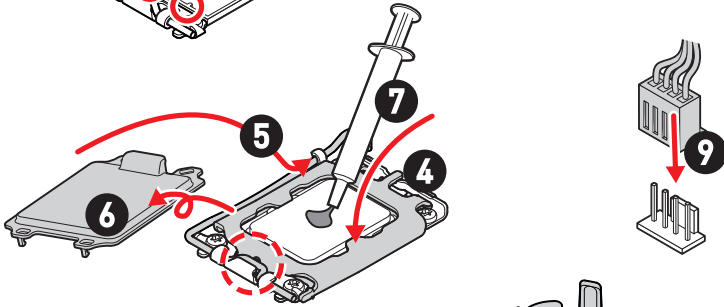
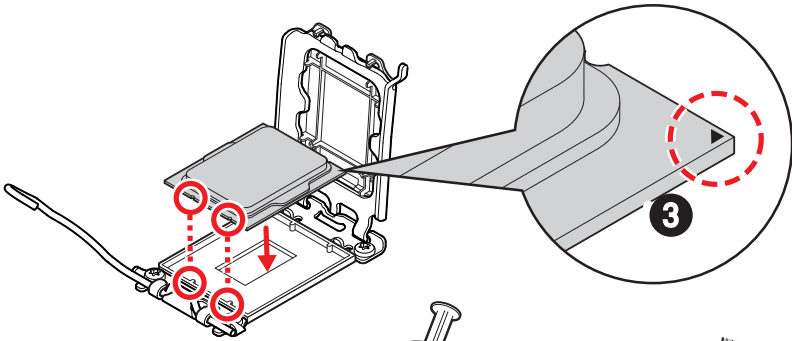
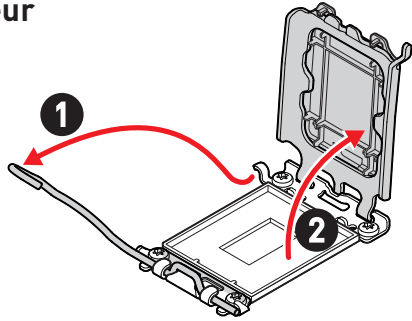
Une peinture protectrice est présente autour de chaque trou de vis pour éviter que les pièces ne soient rayées.



Installation d'un processeur



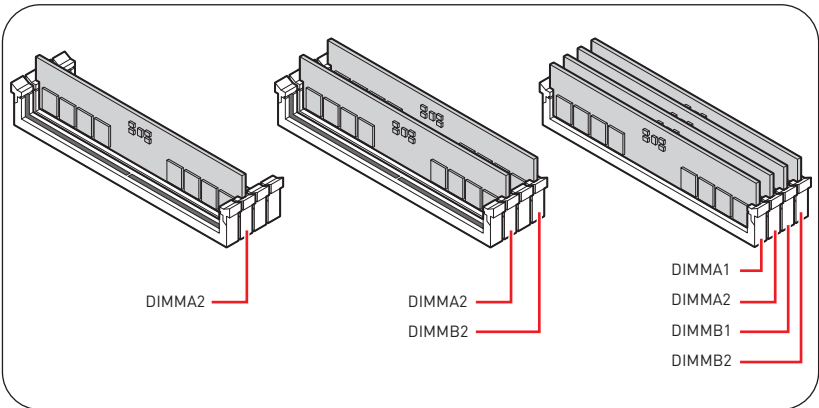
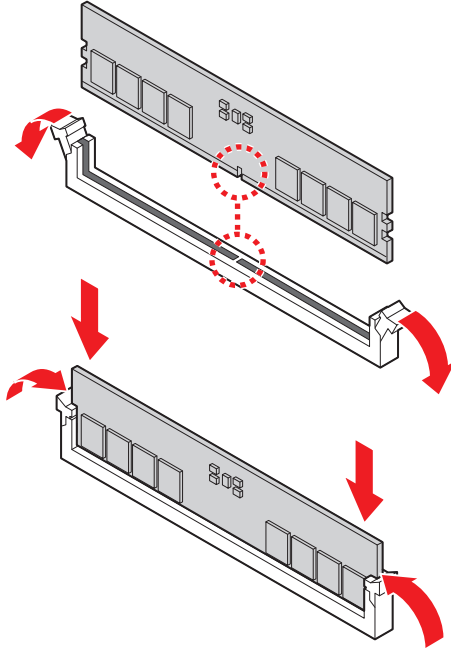
• <https://youtu.be/KMf9oIDsGes>



Installation de la mémoire DDR5



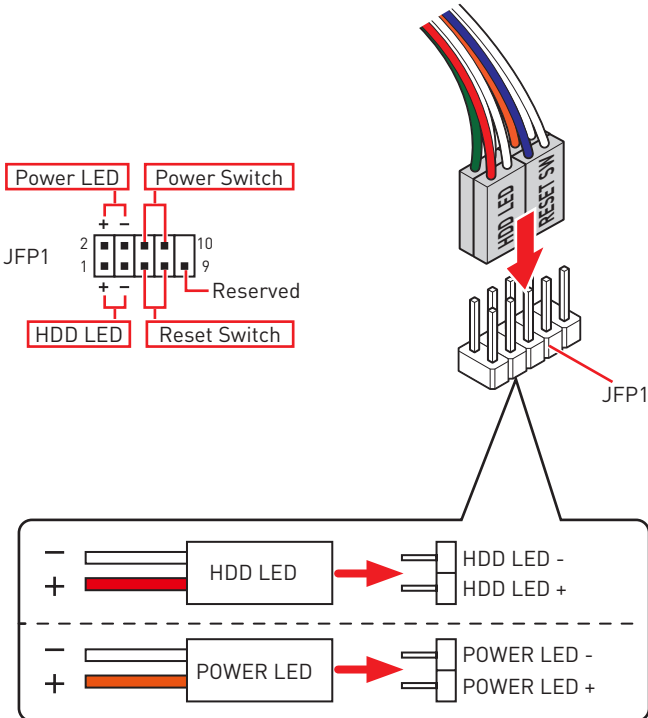
- <https://youtu.be/XiNmKDNZcZk>



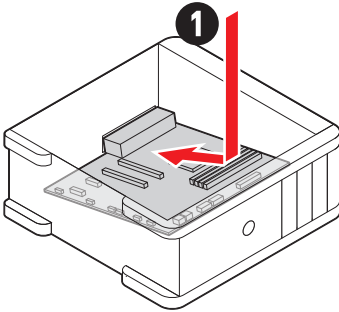
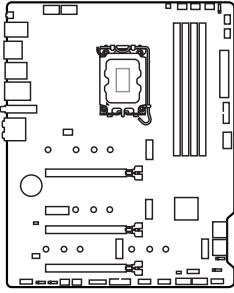
Connexion du panneau avant



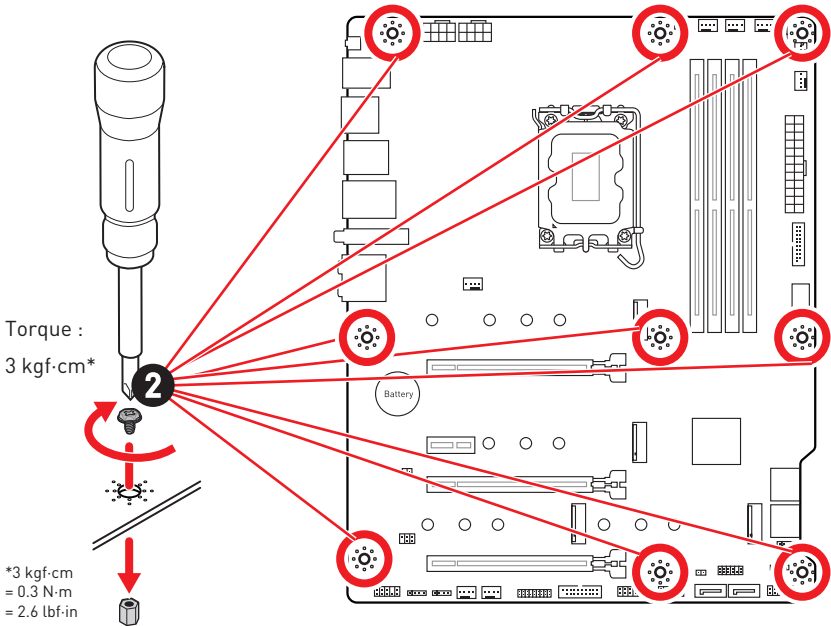
- <http://youtu.be/DPELIdVNZUI>



Installation de la carte mère



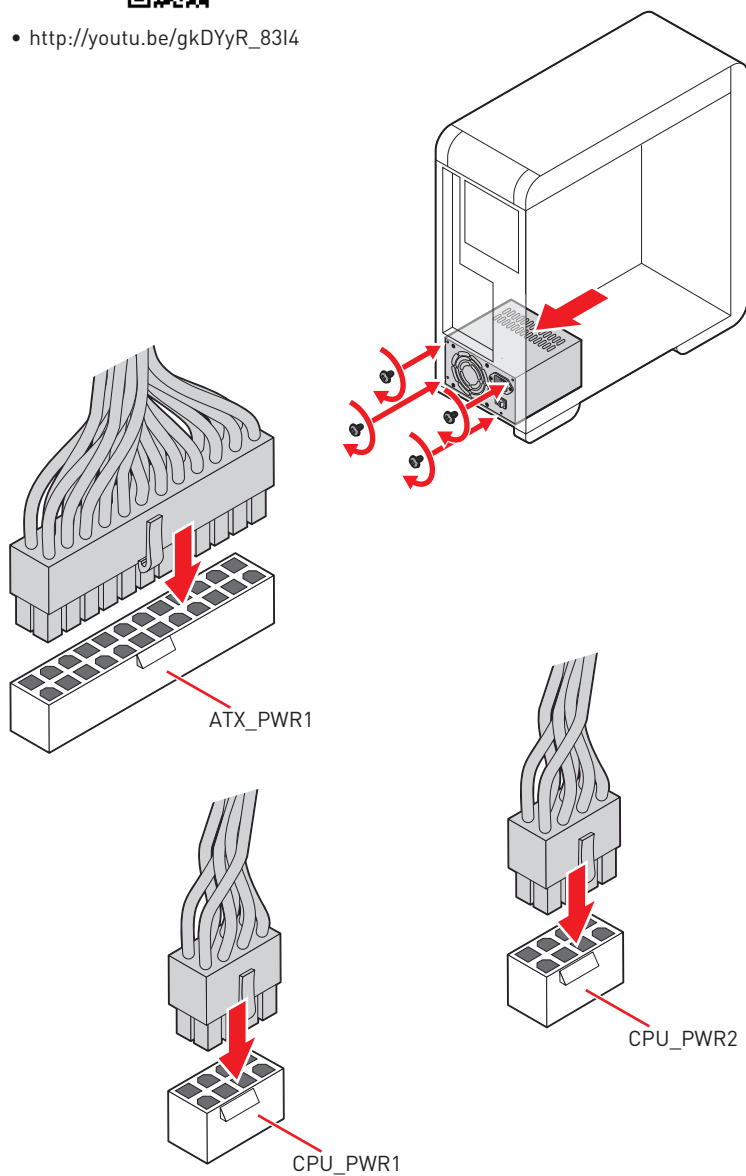
• <https://youtu.be/wWl6Qt51Wnc>



Connexion des connecteurs d'alimentation



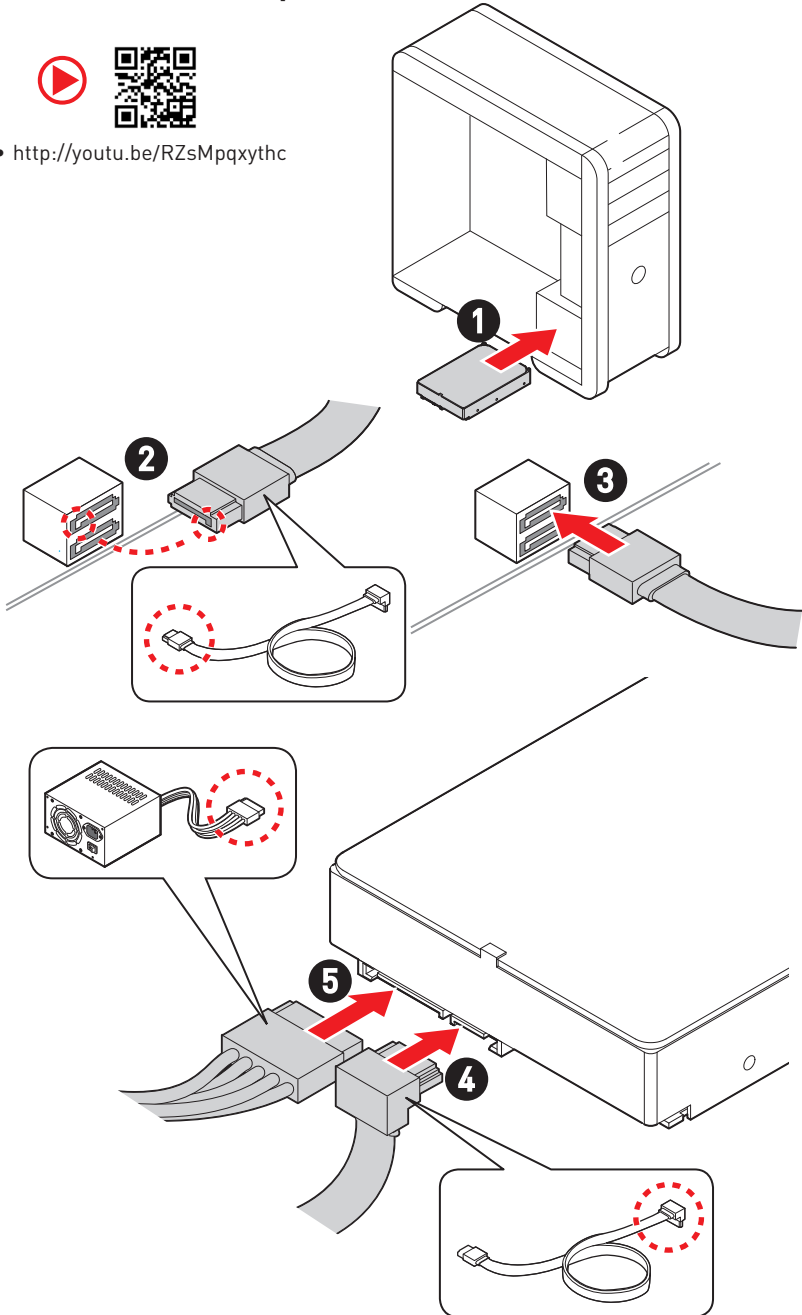
- http://youtu.be/gkDYyR_83I4



Installation des disques SATA



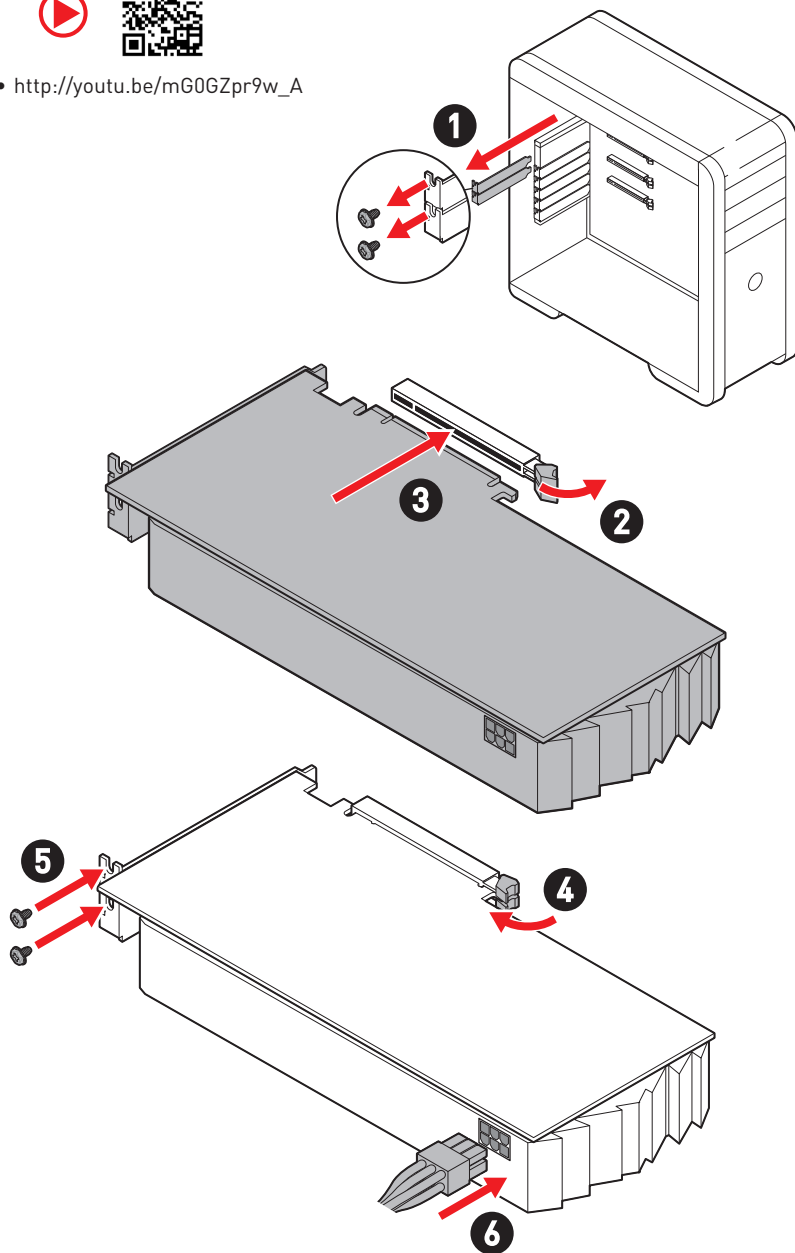
• <http://youtu.be/RZsMpqxythc>



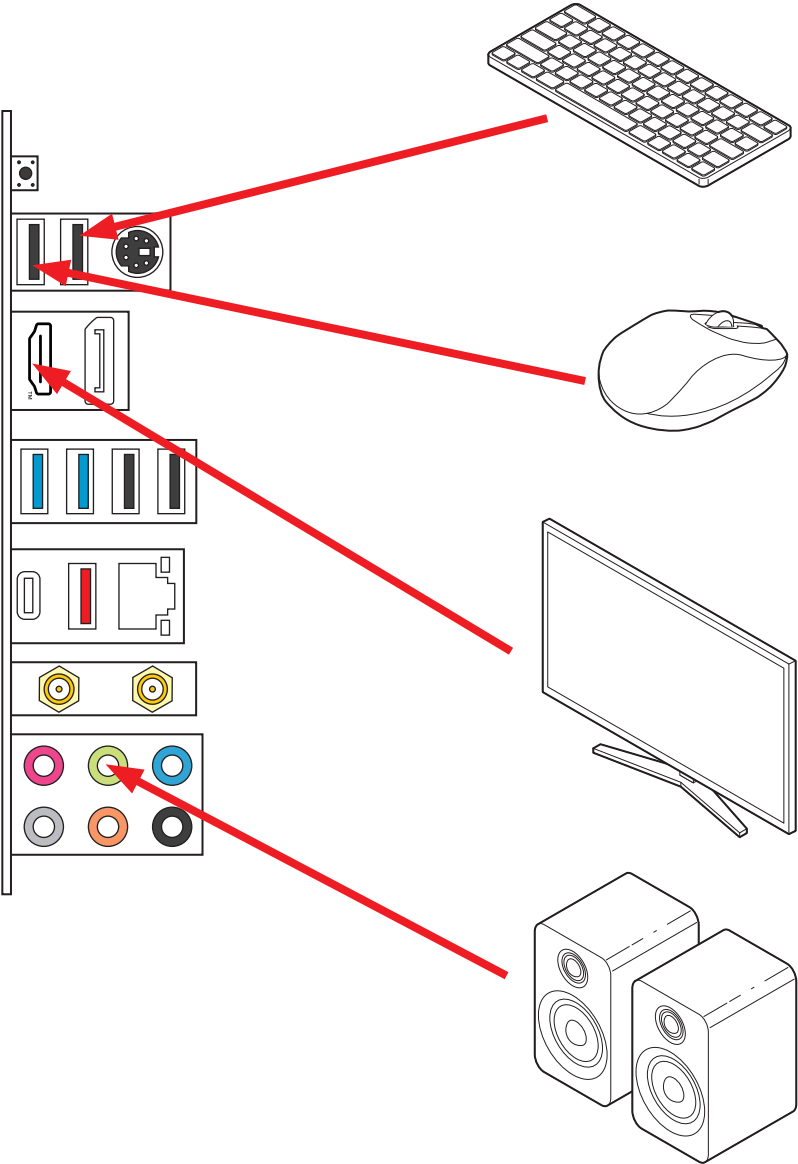
Installation d'une carte graphique



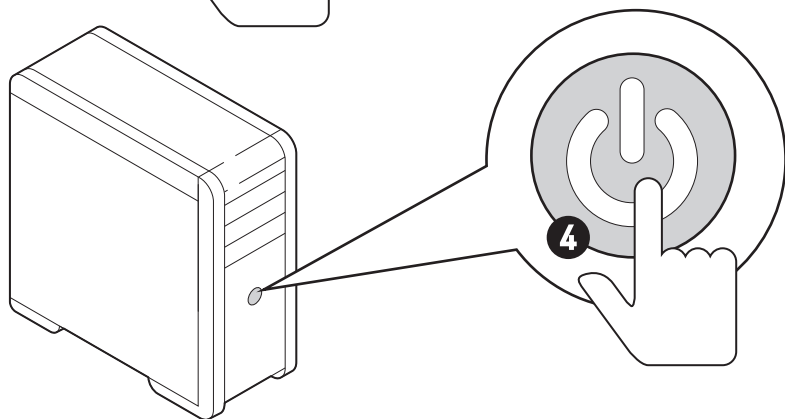
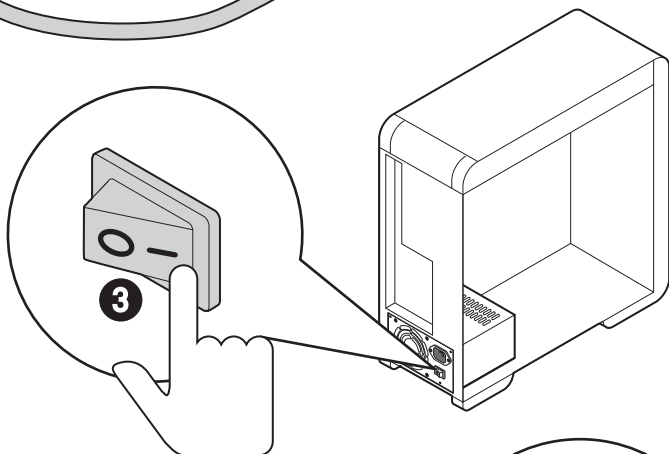
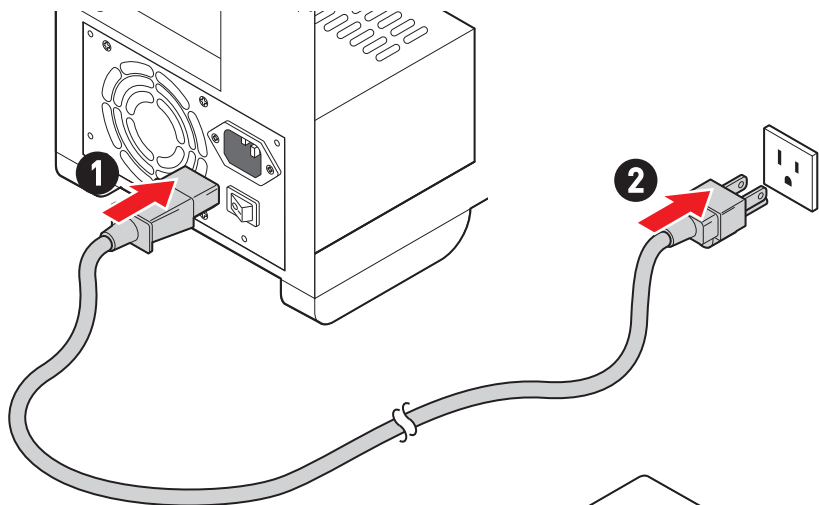
• http://youtu.be/mG0GZpr9w_A



Connexion des périphériques



Allumer



Caractéristiques

CPU	<ul style="list-style-type: none"> • Support des processeurs Intel® Core™ de 14ème, 13ème et 12ème génération, Intel® Pentium® Gold et Celeron®* • Socket LGA1700 <p>* Veuillez vous rendre sur le site www.msi.com pour obtenir la dernière liste des modèles supportés à mesure que de nouveaux processeurs sont introduits sur le marché.</p>
Chipset	Chipset Intel® Z790
Mémoire	<ul style="list-style-type: none"> • 4 x slots pour mémoire DDR5, support jusqu'à 192 Go* • Support 1R 5600 MHz (par JEDEC et POR) • Fréquence d'overclocking maximale : <ul style="list-style-type: none"> • La fréquence maximale en mode 1DPC 1R monte jusqu'à 7200+ MHz • La fréquence maximale en mode 1DPC 2R monte jusqu'à 6600+ MHz • La fréquence maximale en mode 2DPC 1R monte jusqu'à 6400+ MHz • La fréquence maximale en mode 2DPC 2R monte jusqu'à 5600+ MHz • Support Intel® XMP 3.0 OC • Support mémoire dual channel à double contrôleur • Support non-ECC, mémoire un-buffered <p>* Veuillez vous référer au site www.msi.com pour plus d'informations sur la mémoire compatible.</p>
Slots d'extension	<ul style="list-style-type: none"> • 3 x slots PCIe x16 <ul style="list-style-type: none"> • Slot PCI_E1 (depuis CPU) <ul style="list-style-type: none"> • Support jusqu'à PCIe 5.0 x16 • Slots PCI_E3 et PCI_E4 (depuis chipset Z790) <ul style="list-style-type: none"> • Le slot PCI_E3 supporte jusqu'à PCIe 4.0 x4 • Le slot PCI_E4 supporte jusqu'à PCIe 3.0 x1 • 1 x slot PCIe x1 (depuis chipset Z790) <ul style="list-style-type: none"> • Le slot PCI_E2 supporte jusqu'à PCIe 3.0 x1
Sorties vidéo intégrées	<ul style="list-style-type: none"> • 1 x port HDMI™ 2.1 avec HDR, supportant une résolution maximum de 4K 60 Hz**/** • 1 x DisplayPort 1.4 avec HBR2, supportant une résolution maximum de 4K 60 Hz**/** <p>* Disponible uniquement pour le processeur avec puce graphique intégrée. ** Les caractéristiques des cartes graphiques peuvent varier en fonction du processeur installé.</p>

Suite du tableau sur la page suivante

Suite du tableau sur la page précédente

Ports SATA	<ul style="list-style-type: none">• 6 x ports SATA 6 Gb/s (depuis chipset Z790)
Slots SSD M.2	<ul style="list-style-type: none">• 4 x slots M.2 (Clé M)<ul style="list-style-type: none">• Slot M2_1 (depuis CPU)<ul style="list-style-type: none">• Support jusqu'à PCIe 4.0 x4• Support des périphériques de stockage 2242/2260/2280/22110• Slot M2_2 (depuis chipset Z790)<ul style="list-style-type: none">• Support jusqu'à PCIe 4.0 x4• Support des périphériques de stockage 2242/2260/2280• Slot M2_3 (depuis chipset Z790)<ul style="list-style-type: none">• Support jusqu'à PCIe 4.0 x4• Support SATA 6 Gb/s• Support des périphériques de stockage 2242/2260/2280• Slot M2_4 (depuis chipset Z790)<ul style="list-style-type: none">• Support jusqu'à PCIe 4.0 x4• Support SATA 6 Gb/s• Support des périphériques de stockage 2242/2260/2280
RAID	<ul style="list-style-type: none">• Support RAID 0, RAID 1, RAID 5 et RAID 10 pour les périphériques de stockage SATA• Support RAID 0, RAID 1, RAID 5 et RAID 10 pour les périphériques de stockage M.2 NVMe
Audio	Realtek® ALC897 Codec <ul style="list-style-type: none">• Audio haute définition 7.1
LAN	<ul style="list-style-type: none">• 1 x contrôleur Intel® 2.5Gbps LAN

Suite du tableau sur la page suivante

Suite du tableau sur la page précédente

Wi-Fi et Bluetooth®	<p>Intel® Wi-Fi 6E</p> <ul style="list-style-type: none"> • Le module sans-fil est pré-installé dans le slot M.2 (Clé E) • Support MU-MIMO TX/RX, 2,4 GHz / 5 GHz / 6 GHz* (160 MHz) jusqu'à 2,4 Gb/s • Support 802.11 a/b/g/n/ac/ax • Support Bluetooth® 5.3**, FIPS, FISMA <p>* L'utilisation de la bande Wi-Fi 6 GHz dépend du support de Windows 11 et des réglementations de chaque pays.</p> <p>** La version Bluetooth peut être mise à jour. Veuillez vous référer au site internet du fournisseur de la puce Wi-Fi pour plus de détails.</p>
Connecteurs d'alimentation	<ul style="list-style-type: none"> • 1 x connecteur d'alimentation principal ATX à 24 broches • 2 x connecteurs d'alimentation 12 V à 8 broches
Connecteurs USB internes	<ul style="list-style-type: none"> • 1 x port USB 3.2 Gen 2 10 Gb/s Type-C du panneau avant (depuis chipset Z790) • 2 x connecteurs USB 3.2 Gen 1 5 Gb/s (depuis chipset Z790) <ul style="list-style-type: none"> • Support de 4 autres ports USB 3.2 Gen 1 5 Gb/s • 2 x connecteurs USB 2.0 (depuis Hub-GL850G) <ul style="list-style-type: none"> • Support de 4 autres ports USB 2.0
Connecteurs de ventilateur	<ul style="list-style-type: none"> • 1 x connecteur de ventilateur CPU à 4 broches • 1 x connecteur de ventilateur à 4 broches pour la pompe à eau • 6 x connecteurs de ventilateur système à 4 broches
Connecteurs système	<ul style="list-style-type: none"> • 1 x connecteur audio avant • 2 x connecteurs du panneau système • 1 x connecteur d'intrusion châssis • 1 x connecteur de module TPM • 1 x connecteur du contrôleur de réglages • 1 x connecteur de carte d'extension USB4 (support RTD3)
Cavalier	<ul style="list-style-type: none"> • 1 x cavalier Clear CMOS
Fonctions LED	<ul style="list-style-type: none"> • 4 x EZ Debug LED • 2 x connecteurs LED RGB à 4 broches • 2 x connecteurs LED A-RAINBOW V2 (ARGB Gen2) à 3 broches

Suite du tableau sur la page suivante

Suite du tableau sur la page précédente

Connecteurs du panneau arrière	<ul style="list-style-type: none">• 1 x bouton Flash BIOS• 1 x port PS/2• 4 x ports USB 2.0 Type-A (depuis chipset Z790)• 1 x DisplayPort• 1 x port HDMI™• 1 x prise LAN (RJ45)• 2 x ports USB 3.2 Gen 1 5 Gb/s Type-A (depuis chipset Z790)• 1 x port USB 3.2 Gen 2 10Gb/s Type-A (depuis chipset Z790)• 1 x port USB 3.2 Gen 2x2 20 Gb/s Type-C (depuis chipset Z790)• 2 x connecteurs d'antenne Wi-Fi• 6 x prises audio
Contrôleur E/S	Contrôleur NUVOTON NCT6687
Moniteur système	<ul style="list-style-type: none">• Détection de la température CPU/Système/Chipset• Détection de la vitesse du ventilateur CPU/Système/Pompe• Contrôle de la vitesse du ventilateur CPU/Système/Pompe
Dimensions	<ul style="list-style-type: none">• Format ATX• 244 mm x 305 mm (9,6" x 12")
Fonctions BIOS	<ul style="list-style-type: none">• 1 x flash 256 Mb• UEFI AMI BIOS• ACPI 6.4, SMBIOS 3.5• Multilingue
Logiciel	<ul style="list-style-type: none">• Pilotes• MSI Center• Intel Extreme Tuning Utility• CPU-Z MSI GAMING• Norton 360• AIDA64 Extreme - MSI Edition• Adobe Creative Cloud• Acrobat

Fonctions spéciales

MSI Center

- Mystic Light
- Ambient Link
- Frozr AI Cooling
- User Scenario
- True Color
- Live Update
- Hardware Monitoring
- Super Charger
- Devices Speed Up
- Smart Image Finder
- MSI Companion
- System Diagnosis

Caractéristiques du refroidissement

- Extended Heatsink Design
- M.2 Shield Frozr
- K7 MOSFET thermal pad / Extra choke pad
- Fan headers (CPU + PUMP + SYSTEM)

Performance

- Core Boost
- VRM Power Design (VCPUR/ VGT/ AUX)
- Dual CPU Power
- Memory Boost
- Lightning Gen 5 PCI-E
- Lightning Gen 4 PCI-E/ M.2 Slot
- Front USB Type-C
- Server Grade PCB
- 2oz Copper thickened PCB

Pour le bricolage

- PCI-E Steel Armor
- EZ M.2 Clips
- EZ DEBUG LED
- EZ LED Control
- Bouton Flash BIOS
- Pre-installed I/O Shield

Audio

- Audio Boost

Support du rétroéclairage

- Mystic Light Extension (RGB)
- Mystic Light Extension (A-RAINBOW V2)
- Ambient Link

BIOS

- Click BIOS 5

Contenu

Vérifiez tous les articles dans l'emballage de votre carte mère. L'emballage doit contenir :

Carte mère

- 1 x carte mère

Documentation

- 1 x guide d'installation rapide
- 1 x avis réglementaire de l'Union européenne

Application

- 1 x DVD de pilotes

Câble

- 2 x câbles SATA 6 Gb/s

Accessoires

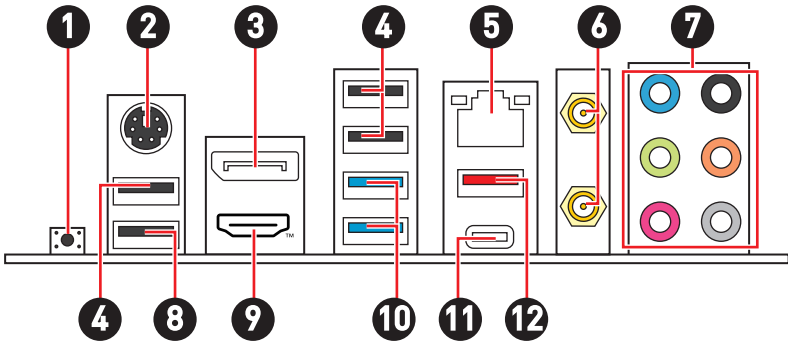
- 1 x set d'antenne Wi-Fi
- 2 x paquets de clips EZ M.2 (1 set/paquet)
- 1 x paquet de vis M.2 et d'entretoise (1 set/paquet)



Important

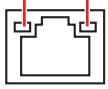
Veillez contacter votre revendeur si un des éléments ci-dessus est endommagé ou manquant.

Connecteurs du panneau arrière



Élément	Description
1	Bouton Flash BIOS
2	Port PS/2
3	DisplayPort
4	Ports USB 2.0 Type-A (depuis chipset Z790)
5	Prise LAN (RJ45) 2,5 Gb/s
6	Connecteurs d'antenne Wi-Fi
7	Prises audio
8	Port USB 2.0 Type-A (depuis chipset Z790) • Port Flash BIOS
9	Port HDMI™ HDMI™ HIGH-DEFINITION MULTIMEDIA INTERFACE
10	Port USB 3.2 Gen 1 5 Gb/s Type-A (depuis chipset Z790)
11	Port USB 3.2 Gen 2x2 20 Gb/s Type-C (depuis chipset Z790)
12	Port USB 3.2 Gen 2 10 Gb/s Type-A (depuis chipset Z790)

Tableau d'état LED du port LAN

LED indiquant la connexion et l'activité			LED indiquant la vitesse	
État	Description		État	Vitesse
Éteint	Pas de connexion	Éteint	10 Mb/s	
Jaune	Connexion correcte	Vert	100/1000 Mb/s	
Clignote	Activité en cours	Orange	2,5 Gb/s	

Connexion des prises audio

Schéma de connexion des prises audio au casque et au microphone

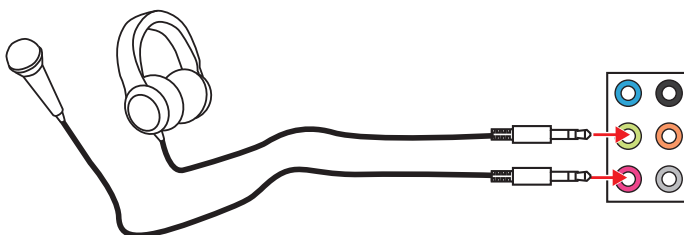


Schéma de connexion de la prise audio au haut-parleur stéréo

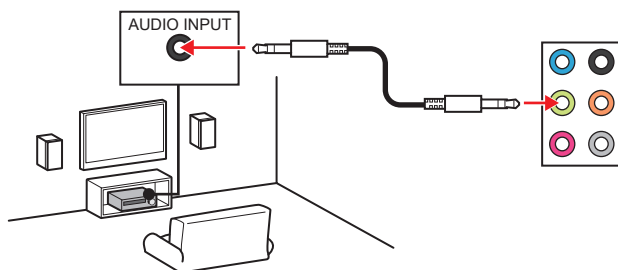


Schéma de connexion des prises audio aux haut-parleurs 4 canaux

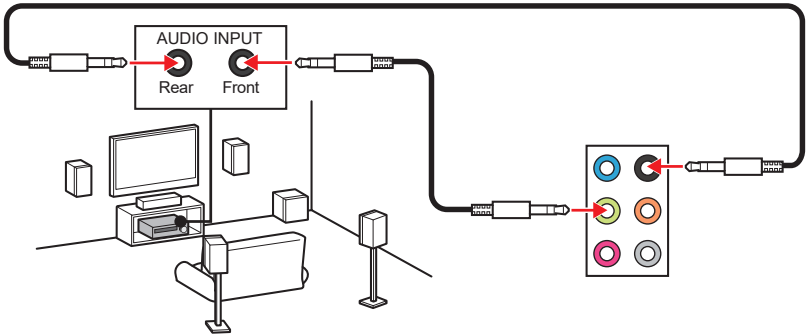


Schéma de connexion des prises audio aux haut-parleurs 5.1 canaux

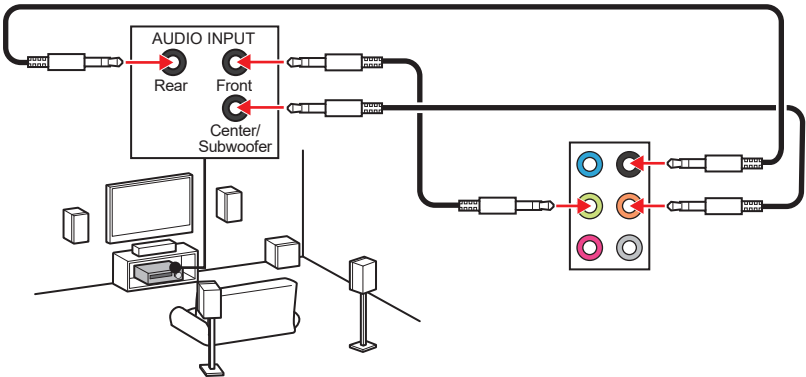
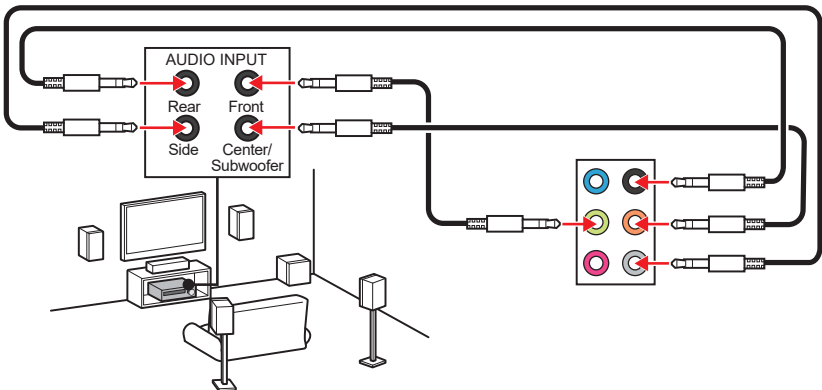
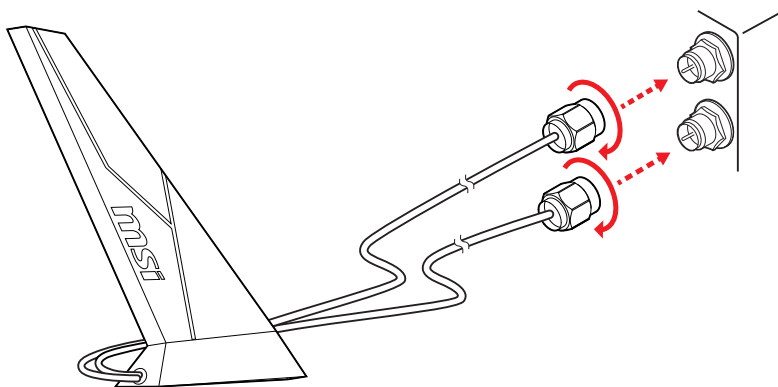


Schéma de connexion des prises audio aux haut-parleurs 7.1 canaux

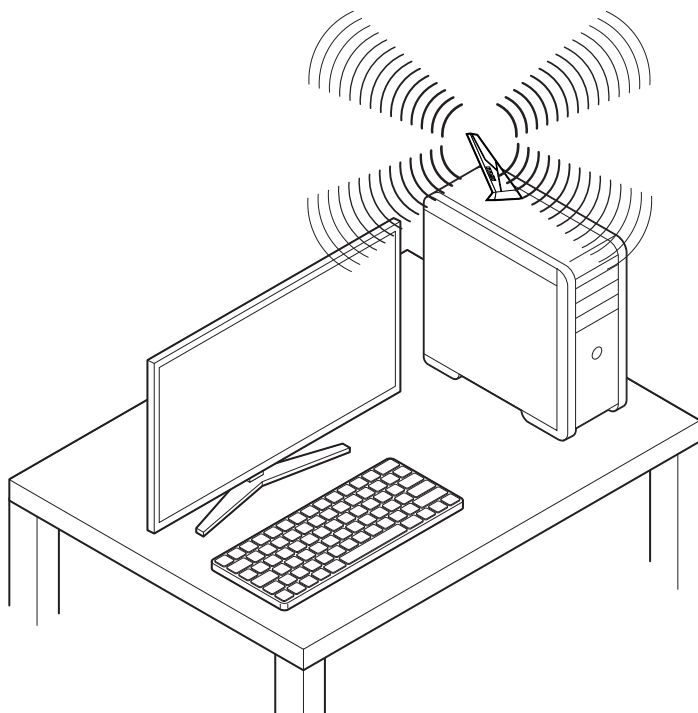


Installation des antennes

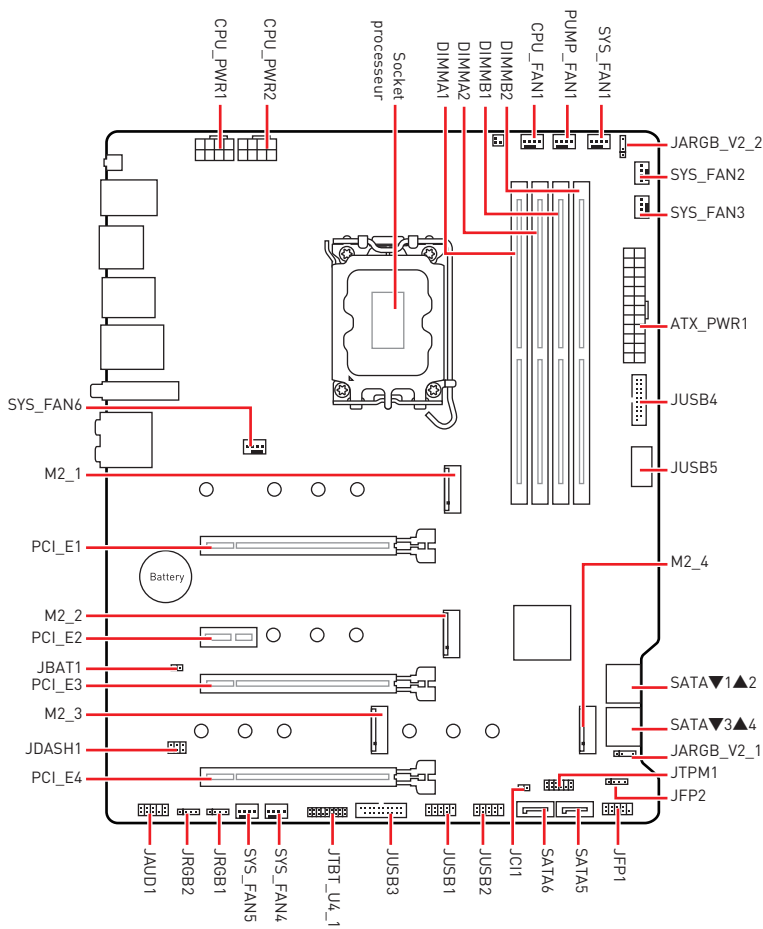
1. Vissez fermement deux câbles d'antenne aux connecteurs d'antenne Wi-Fi comme indiqué ci-dessous.



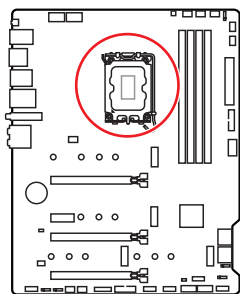
2. Placez les antennes le plus haut possible.



Vue d'ensemble des composants



Socket CPU



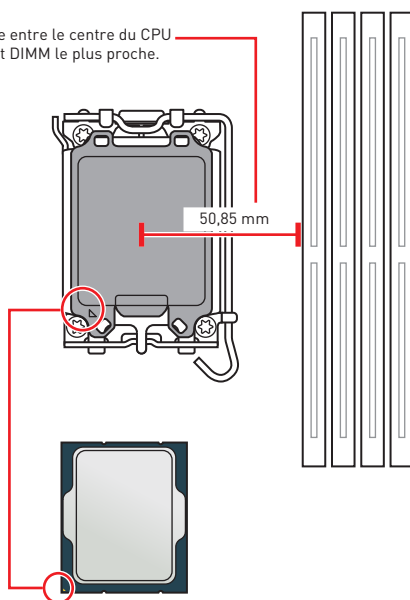
Présentation du socket LGA1700

Sur le socket LGA1700, vous remarquerez quatre **encoches** et un **triangle doré** servant d'indicateurs pour placer le processeur dans la bonne position. Le triangle doré correspond à la broche 1 du processeur.

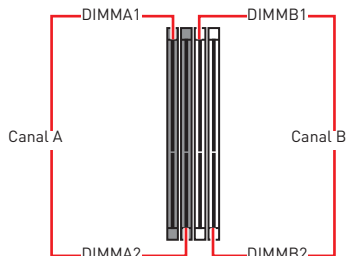
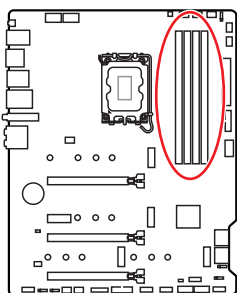
Important

- Avant d'installer ou de retirer le processeur du socket, veillez à toujours débrancher le cordon d'alimentation de la prise électrique.
- Veuillez garder le capot de protection du processeur après l'installation du processeur. Selon les exigences de RMA (Return Merchandise Authorization), MSI n'acceptera pas les cartes mère dont le capot de protection aura été retiré.
- Lors de l'installation d'un processeur, n'oubliez pas d'installer un ventilateur pour processeur. Un ventilateur de processeur est nécessaire pour protéger le processeur contre la surchauffe et maintenir la stabilité du système.
- Assurez-vous de l'étanchéité entre le ventilateur et le processeur avant de démarrer votre système.
- La surchauffe peut facilement endommager le processeur et la carte mère. Assurez-vous toujours que le système de refroidissement fonctionne correctement pour protéger le processeur de la surchauffe. Assurez-vous d'appliquer une couche de pâte thermique (ou adhésif thermique) entre le processeur et le système de refroidissement afin d'améliorer la dissipation de la chaleur.
- Quand le processeur n'est pas installé, protégez toujours les broches du socket CPU avec le couvercle dédié.
- Si vous avez acheté un processeur indépendamment du ventilateur, veuillez vous référer à la documentation dans le paquet du ventilateur pour plus d'informations concernant l'installation.
- Cette carte mère supporte l'overclocking. Néanmoins, veuillez vous assurer que vos composants soient capables de tolérer l'overclocking. Prenez note que l'utilisation au-delà des caractéristiques du constructeur n'est pas recommandée. MSI® ne garantit pas les dommages et risques causés par les utilisations non prévues dans les spécifications du produit.

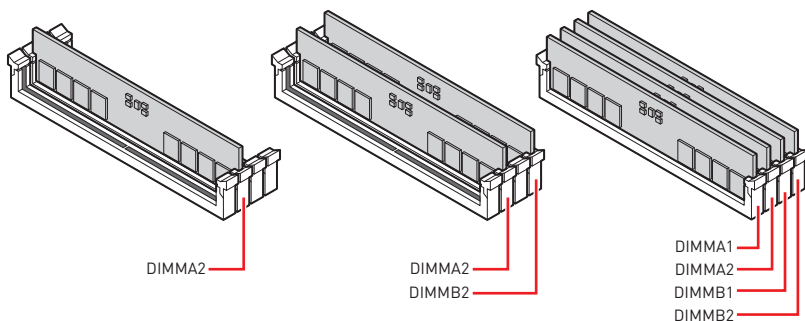
Distance entre le centre du CPU et le slot DIMM le plus proche.



Slots DIMM



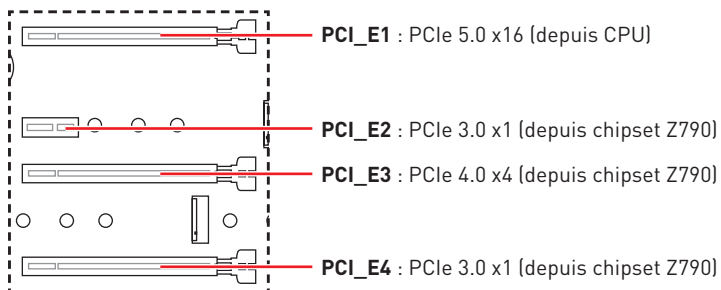
Recommandation d'installation du module de mémoire



Important

- Veillez à toujours insérer un module de mémoire dans le slot **DIMMA2** en premier.
- Pour garantir la stabilité du système au mode de double canal, assurez-vous d'installer les modules de mémoire du même type, du même nombre et de la même densité.
- Certaines mémoires peuvent fonctionner à une fréquence réduite par rapport à la valeur indiquée lors de l'overclocking car la fréquence d'opération de mémoire dépend du Serial Presence Detect (SPD). Rendez-vous sur le BIOS et choisissez la fonction **DRAM Frequency** pour régler la fréquence de mémoire si vous voulez faire fonctionner la mémoire à la fréquence indiquée ou à une fréquence plus élevée.
- Il est recommandé d'utiliser un système de refroidissement qui sera capable de refroidir toutes les barrettes mémoire et d'offrir de bonnes performances lors d'un overclocking.
- La stabilité et la compatibilité du module de mémoire lors de l'overclocking dépendent du processeur et des périphériques installés.
- Veuillez vous référer au site www.msi.com pour plus d'informations sur la mémoire compatible.

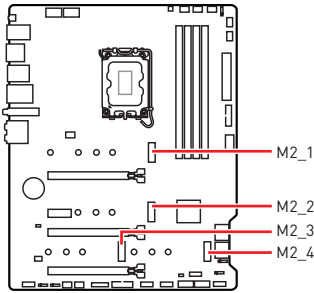
PCI_E1~4 : Slots d'extension PCIe



Important

- Si vous installez une carte graphique lourde, il vous faut utiliser un outil comme la **barre de support MSI** pour supporter son poids et pour éviter la déformation du slot.
- Si vous choisissez d'installer une seule carte d'extension PCIe x16, nous vous recommandons d'utiliser le slot **PCI_E1** pour profiter de performances optimales.
- Veillez à toujours mettre l'ordinateur hors tension et à débrancher le cordon d'alimentation avant d'installer les cartes d'extension. Référez-vous à la documentation des cartes pour vérifier si un composant ou un logiciel doit être modifié.

M2_1~4 : Slots M.2 (Clé M)

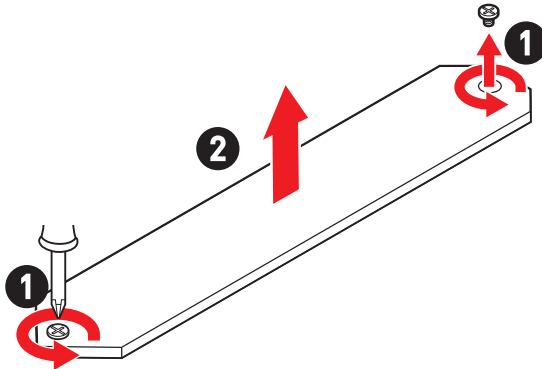


Important

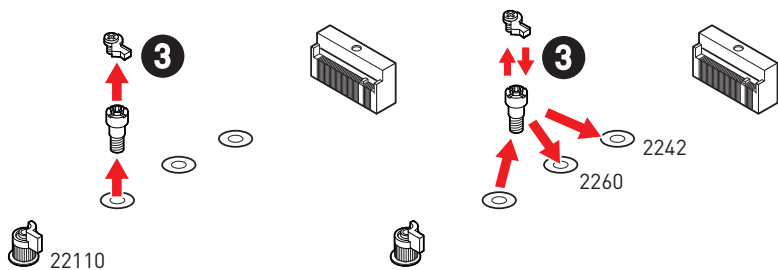
- La technologie Intel® RST supporte uniquement un SSD M.2 PCIe avec une mémoire ROM UEFI.
- Si votre SSD M.2 dispose de son propre système de dissipation de chaleur, retirez le cube en caoutchouc du slot M.2 avant d'installer le SSD M.2. Veuillez ne pas réinstaller le dissipateur fourni avec votre carte mère.

Installation du module M.2 dans le slot M2_1

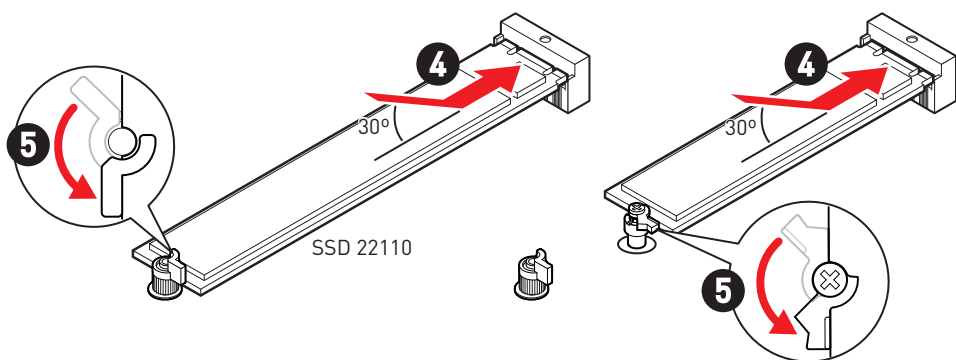
1. Desserrez les vis de la plaque M.2 Shield Frozr.
2. Soulevez la plaque M.2 Shield Frozr et retirez-la.



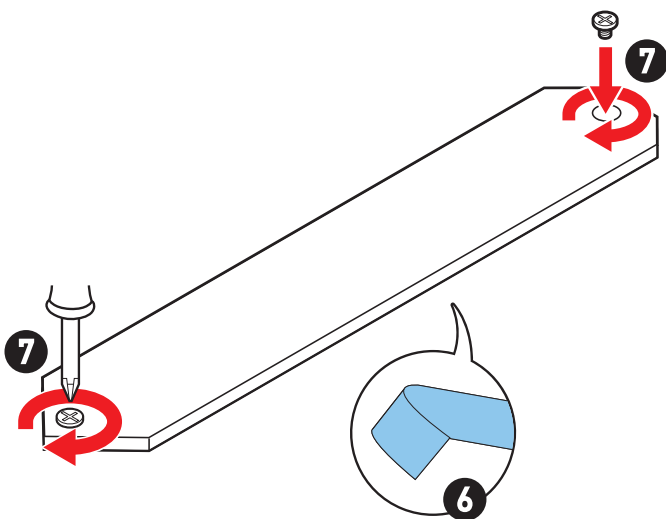
3. Retirez ou échangez les vis selon la longueur du SSD. Ignorez cette étape si vous installez un SSD 2280.



4. Insérez votre SSD M.2 dans le slot M.2 à un angle de 30 degrés.
5. Faites pivoter le clip EZ M.2 pour fixer le SSD M.2.

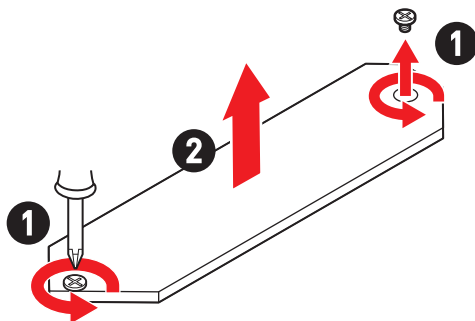


6. Retirez le film de protection du pad thermique sous la plaque M.2 Shield Frozr.
7. Remettez la plaque M.2 Shield Frozr en place et fixez-la.

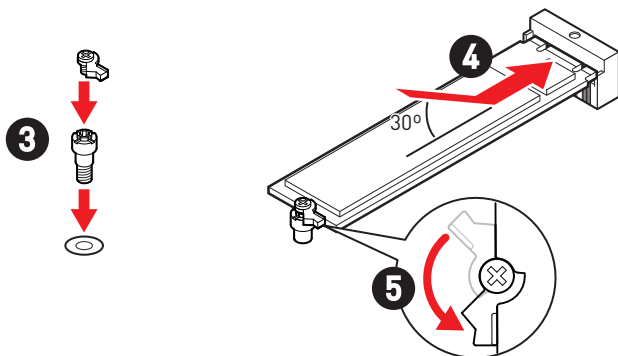


Installation du module M.2 dans le slot M2_2

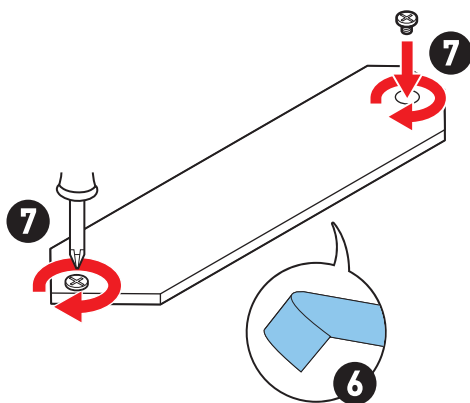
1. Desserrez les vis de la plaque M.2 Shield Frozr.
2. Soulevez la plaque M.2 Shield Frozr et retirez-la.



3. Veuillez installer le kit de clips EZ M.2 fourni selon la longueur du SSD. Ignorez cette étape si vous installez un SSD 2280.
4. Insérez votre SSD M.2 dans le slot M.2 à un angle de 30 degrés.
5. Faites pivoter le clip EZ M.2 pour fixer le SSD M.2. Ignorez cette étape si vous installez un SSD 2280.

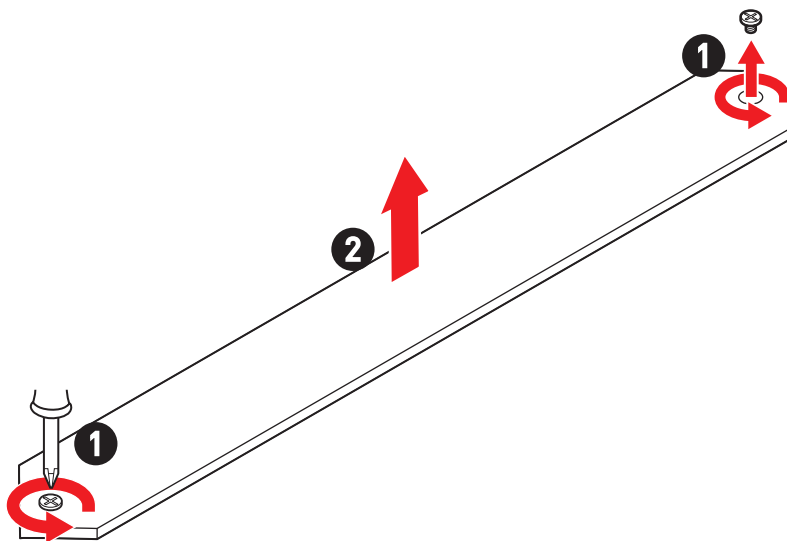


6. Retirez le film de protection du pad thermique sous la plaque M.2 Shield Frozr.
7. Remettez la plaque M.2 Shield Frozr en place et fixez-la.

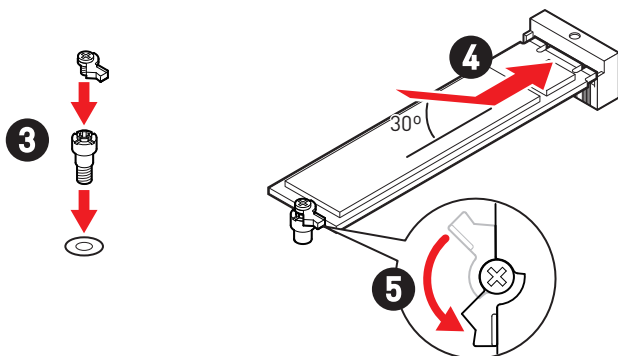


Installation du module M.2 dans le slot M2_3

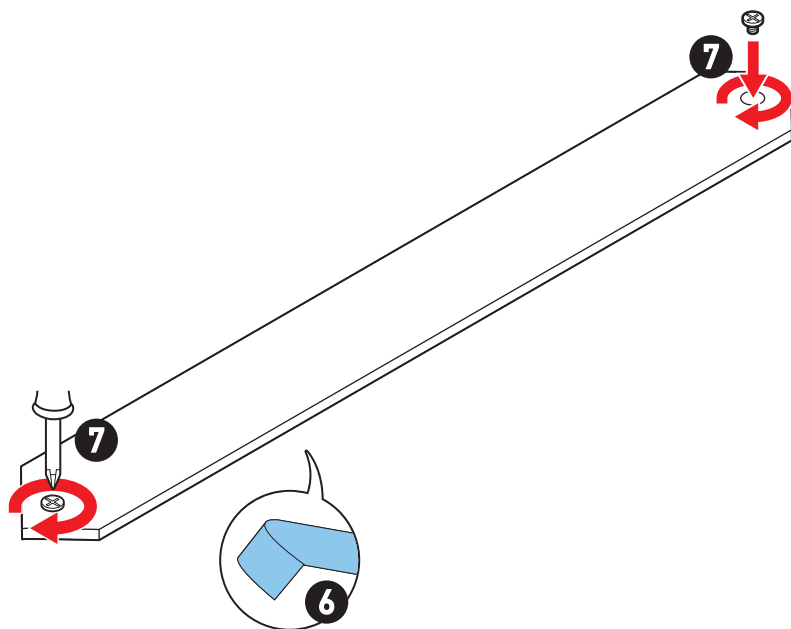
1. Desserrez les vis de la plaque M.2 Shield Frozr.
2. Soulevez la plaque M.2 Shield Frozr et retirez-la.



3. Veuillez installer le kit de clips EZ M.2 fourni selon la longueur du SSD. Ignorez cette étape si vous installez un SSD 2280.
4. Insérez votre SSD M.2 dans le slot M.2 à un angle de 30 degrés.
5. Faites pivoter le clip EZ M.2 pour fixer le SSD M.2.

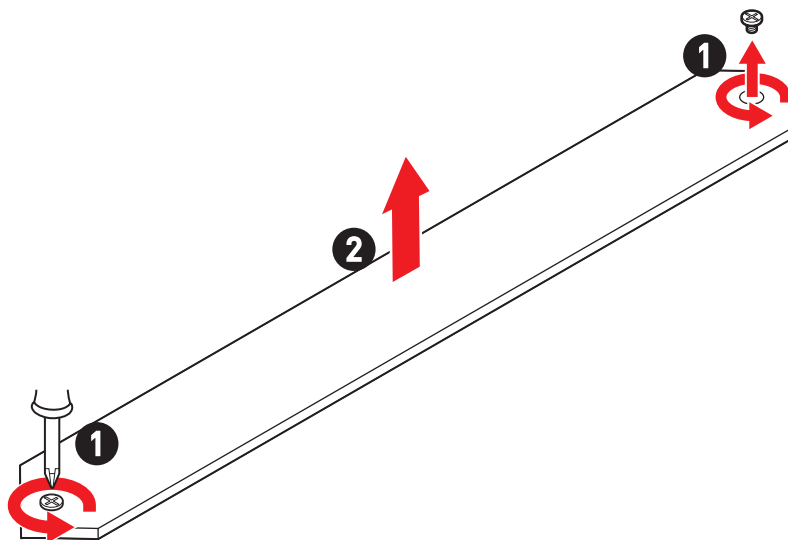


6. Retirez le film de protection du pad thermique sous la plaque M.2 Shield Frozr.
7. Remettez la plaque M.2 Shield Frozr en place et fixez-la.

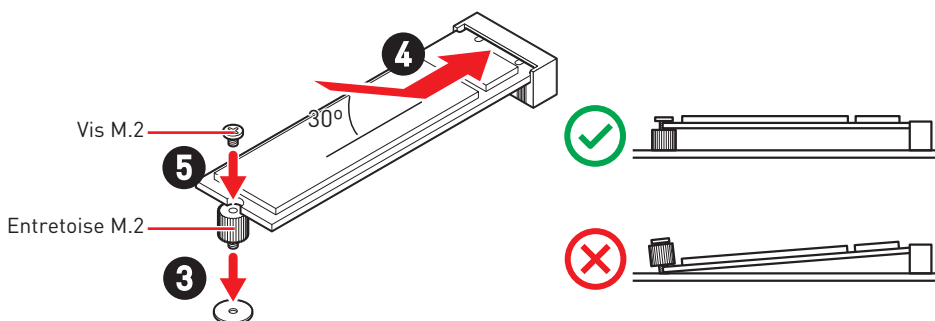


Installation du module M.2 dans le slot M2_4

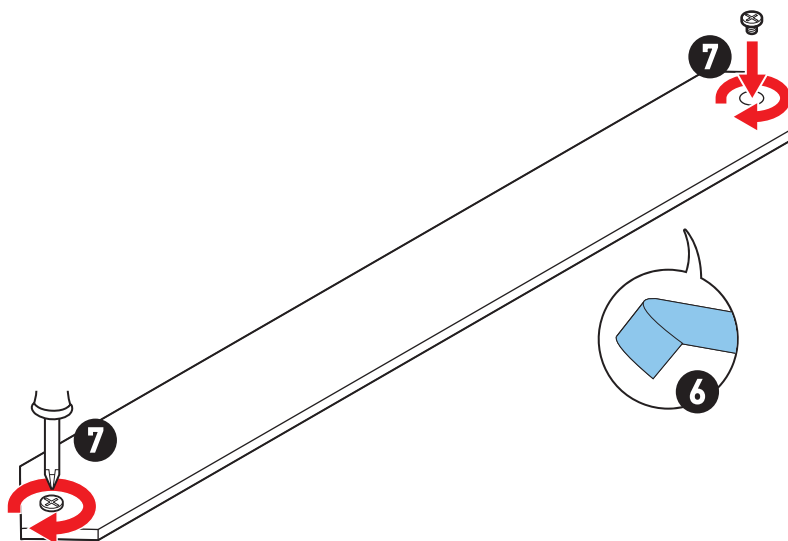
1. Desserrez les vis de la plaque M.2 Shield Frozr.
2. Soulevez la plaque M.2 Shield Frozr et retirez-la.



3. Veuillez installer l'entretoise M.2 fournie selon la longueur du SSD.
4. Insérez votre SSD M.2 dans le slot M.2 à un angle de 30 degrés.
5. Fixez le SSD M.2 avec la vis M.2 fournie.

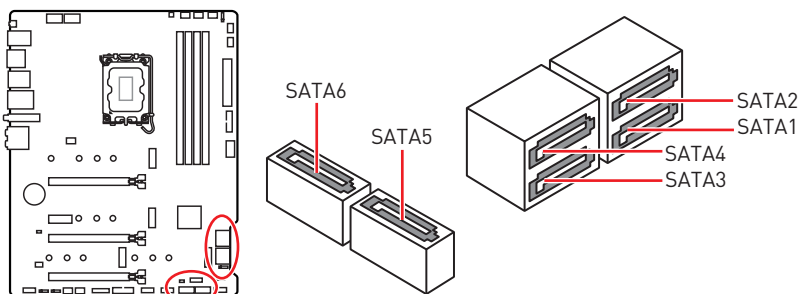


6. Retirez le film de protection du pad thermique sous la plaque M.2 Shield Frozr.
7. Remettez la plaque M.2 Shield Frozr en place et fixez-la.



SATA1~6 : Connecteurs SATA 6 Gb/s

Ces connecteurs utilisent une interface SATA 6 Gb/s. Chaque connecteur peut être relié à un appareil SATA.

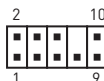
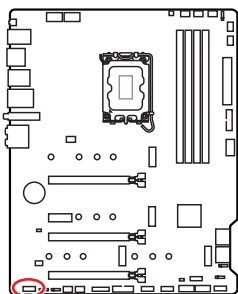


Important

- Veuillez ne pas plier les câbles SATA à 90° car cela pourrait entraîner une perte de données pendant la transmission.
- Les câbles SATA ont des fiches identiques de chaque côté. Cependant, il est recommandé de connecter le connecteur plat à la carte mère pour économiser de l'espace.

JAUD1 : Connecteur audio avant

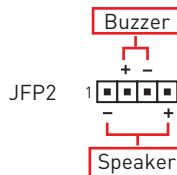
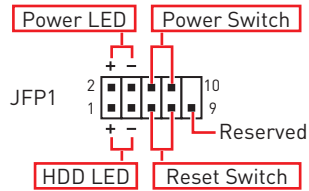
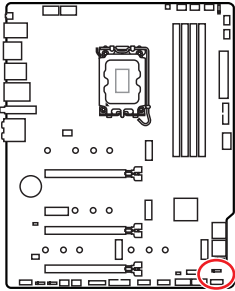
Ce connecteur vous permet de connecter les prises audio sur le panneau avant.



Broche	Nom de signal	Broche	Nom de signal
1	MIC L	2	Ground
3	MIC R	4	NC
5	Head Phone R	6	MIC Detection
7	SENSE_SEND	8	No Pin
9	Head Phone L	10	Head Phone Detection

JFP1, JFP2 : Connecteurs du panneau avant

Le connecteur JFP1 contrôle la mise sous tension, la réinitialisation de l'alimentation et les LED du boîtier/châssis de votre PC. Les connecteurs Power Switch et Reset Switch vous permettent de connecter le bouton d'alimentation et le bouton de réinitialisation. Le connecteur Power LED se connecte à l'indicateur LED du boîtier du PC et le connecteur HDD LED indique l'activité du disque dur. Le connecteur JFP2 est destiné au buzzer et au haut-parleur. Pour connecter les câbles du boîtier du PC aux bonnes broches, veuillez vous référer aux images suivantes ci-dessous.

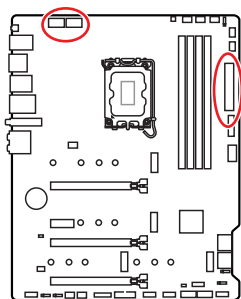


Important

Veillez noter que les connecteurs Power LED et HDD LED disposent d'un pôle négatif et d'un pôle positif. Vous devez donc connecter le câble aux pôles positifs et négatifs correspondants de la carte mère. Dans le cas contraire, les LED ne fonctionneront pas correctement.

CPU_PWR1~2, ATX_PWR1 : Connecteurs d'alimentation

Ces connecteurs vous permettent de connecter une alimentation ATX.

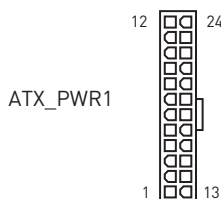
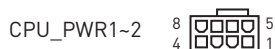


CPU_PWR1~2

Broche	Nom de signal	Broche	Nom de signal
1	Ground	2	Ground
3	Ground	4	Ground
5	+12V	6	+12V
7	+12V	8	+12V

ATX_PWR1

Broche	Nom de signal	Broche	Nom de signal
1	+3.3V	2	+3.3V
3	Ground	4	+5V
5	Ground	6	+5V
7	Ground	8	PWR OK
9	5VSB	10	+12V
11	+12V	12	+3.3V
13	+3.3V	14	-12V
15	Ground	16	PS-ON#
17	Ground	18	Ground
19	Ground	20	Res
21	+5V	22	+5V
23	+5V	24	Ground

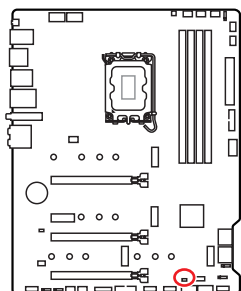


Important

Assurez-vous que tous les câbles d'alimentation sont correctement connectés à une alimentation ATX appropriée pour assurer un fonctionnement stable de la carte mère.

JCI1 : Connecteur d'intrusion châssis

Ce connecteur vous permet de connecter le câble d'interrupteur d'intrusion châssis.



Normal
(défaut)



Commencer l'activité
d'intrusion châssis

Utilisation du détecteur d'intrusion châssis

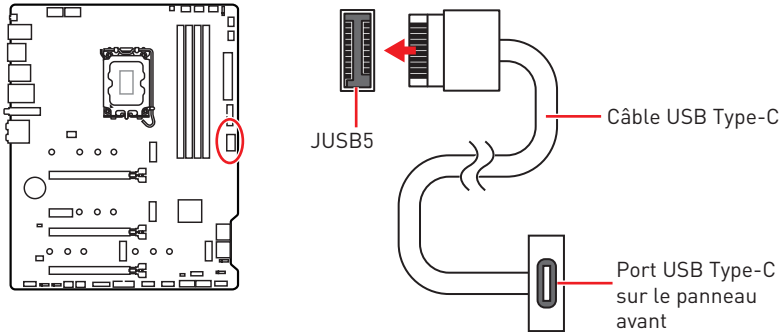
1. Reliez le connecteur **JCI1** à l'interrupteur ou au capteur d'intrusion châssis situé sur le boîtier du PC.
2. Fermez le couvercle du boîtier.
3. Allez dans **BIOS > SETTINGS (Réglages) > Security (Sécurité) > Chassis Intrusion Configuration (Configuration d'intrusion châssis)**.
4. Réglez **Chassis Intrusion (Intrusion châssis)** sur **Enabled (Activé)**.
5. Appuyez sur **F10** pour sauvegarder et quitter. Ensuite appuyez sur la touche **Enter (Entrée)** pour choisir **Yes (Oui)**.
6. Désormais, si le boîtier du PC est ouvert quand l'ordinateur est allumé, vous recevrez un message d'avertissement à l'écran.

Réinitialisation de l'avertissement d'intrusion châssis

1. Allez dans **BIOS > SETTINGS (Réglages) > Security (Sécurité) > Chassis Intrusion Configuration (Configuration d'intrusion châssis)**.
2. Réglez **Chassis Intrusion (Intrusion châssis)** sur **Reset (Réinitialiser)**.
3. Appuyez sur **F10** pour sauvegarder et quitter. Ensuite appuyez sur la touche **Enter (Entrée)** pour choisir **Yes (Oui)**.

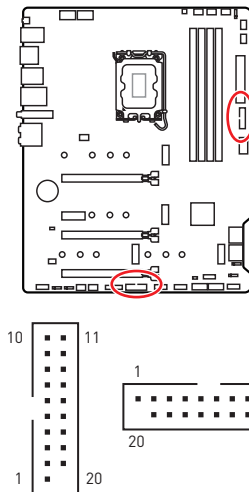
JUSB5 : Connecteur USB 3.2 Gen 2 Type-C du panneau avant

Ce connecteur vous permet de connecter le connecteur USB 3.2 Gen 2 10 Gb/s Type-C sur le panneau avant. Pour plus de sécurité, ce connecteur a été conçu pour offrir une excellente robustesse. Quand vous connectez le câble, assurez-vous de le brancher dans le bon sens.



JUSB3~4 : Connecteurs USB 3.2 Gen 1

Ces connecteurs vous permettent de connecter les ports USB 3.2 Gen 1 5 Gb/s sur le panneau avant.



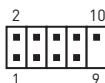
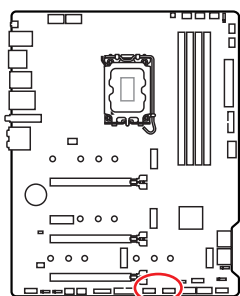
Broche	Nom de signal	Broche	Nom de signal
1	Power	2	USB3_RX_DN
3	USB3_RX_DP	4	Ground
5	USB3_TX_C_DN	6	USB3_TX_C_DP
7	Ground	8	USB2.0-
9	USB2.0+	10	Ground
11	USB2.0+	12	USB2.0-
13	Ground	14	USB3_TX_C_DP
15	USB3_TX_C_DN	16	Ground
17	USB3_RX_DP	18	USB3_RX_DN
19	Power	20	No Pin

Important

Notez que les câbles d'alimentation et de terre doivent être branchés correctement pour éviter d'endommager la carte mère.

JUSB1~2 : Connecteurs USB 2.0

Ces connecteurs vous permettent de connecter les ports USB 2.0 sur le panneau avant.



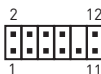
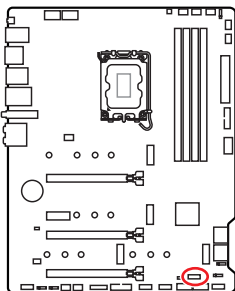
Broche	Nom de signal	Broche	Nom de signal
1	VCC	2	VCC
3	USB0-	4	USB1-
5	USB0+	6	USB1+
7	Ground	8	Ground
9	No Pin	10	NC

Important

- Notez que les broches VCC et Terre doivent être branchées correctement pour éviter d'endommager la carte mère.
- Pour recharger votre iPad, iPhone et iPod par l'intermédiaire d'un port USB, veuillez installer l'utilitaire MSI Center.

JTPM1 : Connecteur de module TPM

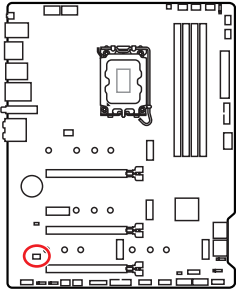
Ce connecteur est relié à un module TPM (Trusted Platform Module). Veuillez vous référer au manuel du module TPM pour plus d'informations.



Broche	Nom de signal	Broche	Nom de signal
1	SPI Power	2	SPI Chip Select
3	Master In Slave Out (SPI Data)	4	Master Out Slave In (SPI Data)
5	Reserved	6	SPI Clock
7	Ground	8	SPI Reset
9	Reserved	10	No Pin
11	Reserved	12	Interrupt Request

JDASH1 : Connecteur du contrôleur de réglages

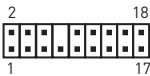
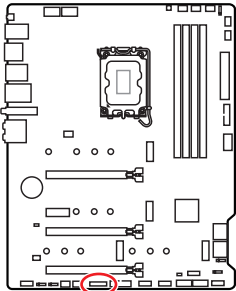
Ce connecteur est utilisé pour connecter un contrôleur de réglage (selon modèle).



Broche	Nom de signal	Broche	Nom de signal
1	No Pin	2	NC
3	MCU_SMB_SCL_M	4	MCU_SMB_SDA_M
5	VCC5	6	Ground

JTBT_U4_1 : Connecteur de carte d'extension USB4

Ce connecteur vous permet de connecter la carte d'extension USB4 PD100W de MSI.



Broche	Nom de signal	Broche	Nom de signal
1	TBT_Force_PWR	2	TBT_S0IX_Entry_REQ
3	TBT_CIO_Plug_Event#	4	TBT_S0IX_Entry_ACK
5	SLP_S3#_TBT	6	TBT_PSON_Override_N
7	SLP_S5#_TBT	8	Net Name
9	Ground	10	SMBCLK_VSB
11	DG_PEWake	12	SMBDATA_VSB
13	TBT_RTD3_PWR_EN	14	Ground
15	TBT_Card_DET_R#	16	PD_IRQ#
17	GPP_C22	18	GPP_E3

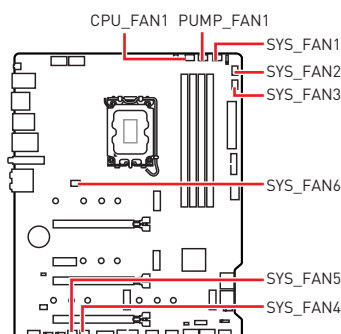
CPU_FAN1, PUMP_FAN1, SYS_FAN1~6 : Connecteurs de ventilateur

Les connecteurs de ventilateur peuvent être utilisés en mode PWM (Pulse Width Modulation) et en mode DC. En mode PWM, les connecteurs fournissent une sortie de 12 V constante et ajustent la vitesse du ventilateur avec un signal de contrôle de vitesse. En mode DC, les connecteurs contrôlent la vitesse du ventilateur en modifiant la tension. Le mode automatique détectera automatiquement le type de ventilateur utilisé.

Vous pouvez contrôler les ventilateurs dans le panneau **BIOS > HARDWARE MONITOR**. Il vous permet de régler DC ou PWM selon votre type de ventilateur. Si vous cochez le **Mode ventilateur intelligent**, la vitesse du ventilateur changera en fonction de la température du processeur ou du système. Si vous décochez le **Mode ventilateur intelligent**, le ventilateur tournera à la vitesse maximale.

Important

Veillez vous assurer que les ventilateurs fonctionnent correctement après avoir basculé entre les modes PWM et DC.



Définition des broches en mode PWM

Broche	Nom de signal	Broche	Nom de signal
1	Ground	2	+12V
3	Sense	4	Speed Control Signal

Définition des broches en mode DC

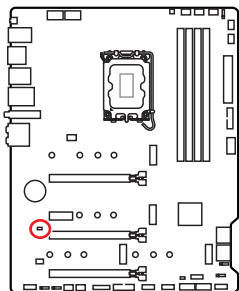
Broche	Nom de signal	Broche	Nom de signal
1	Ground	2	Voltage Control
3	Sense	4	NC

Caractéristiques du connecteur de ventilateur

Connecteur	Mode ventilateur par défaut	Courant maximum	Puissance maximum
CPU_FAN1	Mode Auto	2 A	24 W
PUMP_FAN1	Mode PWM	3 A	36 W
SYS_FAN1~6	Mode DC	1 A	12 W

JBAT1 : Cavalier Clear CMOS (Réinitialiser le BIOS)

Une mémoire CMOS est intégrée et est alimentée en externe par une batterie située sur la carte mère afin de conserver les données de configuration système. Si vous souhaitez effacer la configuration du système, réglez le cavalier pour effacer la mémoire CMOS.



Conservar
les données
(défaut)



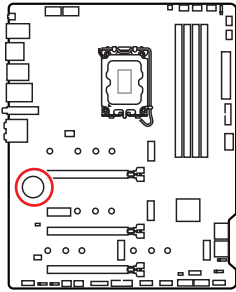
Effacer le CMOS/
Réinitialiser le BIOS

Réinitialiser le BIOS aux valeurs par défaut

1. Éteignez l'ordinateur et débranchez le cordon d'alimentation.
2. Utilisez un couvercle de cavalier pour fermer **JBAT1** pendant 5 à 10 secondes.
3. Enlevez le couvercle de cavalier du **JBAT1**.
4. Branchez le cordon d'alimentation et allumez l'ordinateur.

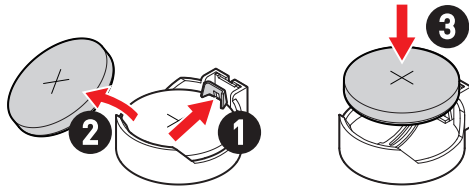
BAT1 : Pile CMOS

Si la pile CMOS est déchargée, l'heure dans le BIOS sera réinitialisée et les données de configuration du système seront perdues. Dans ce cas, vous devez remplacer la pile CMOS.



Remplacement de la pile CMOS

1. Poussez le clip de retenue pour libérer la pile.
2. Retirez la pile du socket.
3. Installez la nouvelle pile bouton CR2032 avec le signe + vers le haut. Assurez-vous que la pile est fermement maintenue par le dispositif de retenue.



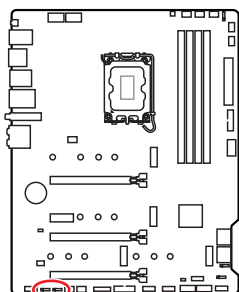
AVERTISSEMENT

GARDER HORS DE PORTÉE DES ENFANTS

- L'ingestion peut entraîner des brûlures chimiques, une perforation des tissus mous, voire la mort.
- Des brûlures graves peuvent survenir dans les 2 heures suivant l'ingestion.
- Si vous pensez que des piles ont été avalées ou placées à l'intérieur d'une partie du corps, consultez immédiatement un médecin.

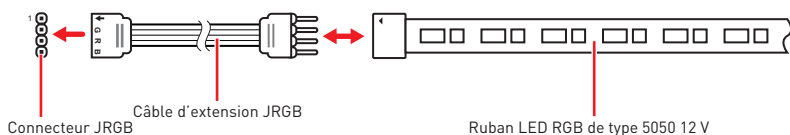
JRGB1~2 : Connecteur LED RGB

Le connecteur JRGB vous permet de connecter un ruban LED RGB de type 5050 12 V.

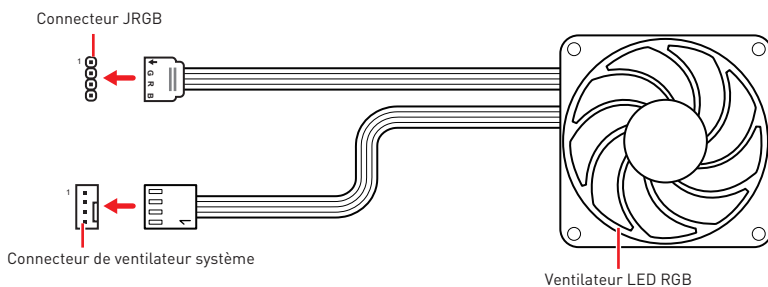


Broche	Nom de signal	Broche	Nom de signal
1	+12V	2	G
3	R	4	B

Connexion du ruban LED RGB



Connexion du ventilateur LED RGB

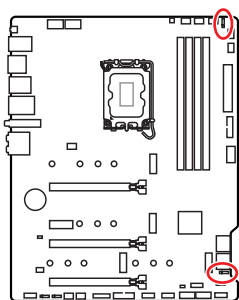


Important

- Le connecteur JRGB supporte des rubans LED RGB (12 V/G/R/B) de type 5050 d'une longueur de 2 mètres maximum avec une puissance nominale maximale de 3 A (12 V).
- Avant d'installer ou de retirer le ruban LED RGB, veillez à toujours éteindre l'alimentation et à débrancher le cordon d'alimentation de la prise électrique.
- Veuillez utiliser un logiciel de MSI dédié pour contrôler le ruban d'extension LED.

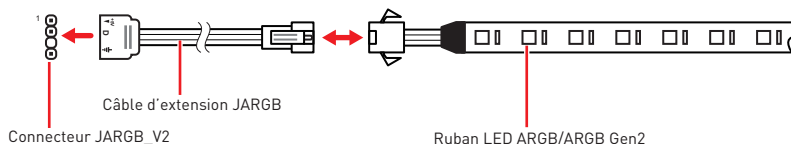
JARGB_V2_1~2 : Connecteurs LED A-RAINBOW V2 (ARGB Gen2)

Les connecteurs JARGB_V2 vous permettent de connecter les rubans LED ARGB Gen2 et ARGB. Le connecteur JARGB_V2 supporte jusqu'à 240 LED RGB adressables individuellement avec une puissance nominale maximale de 3 A (5 V).

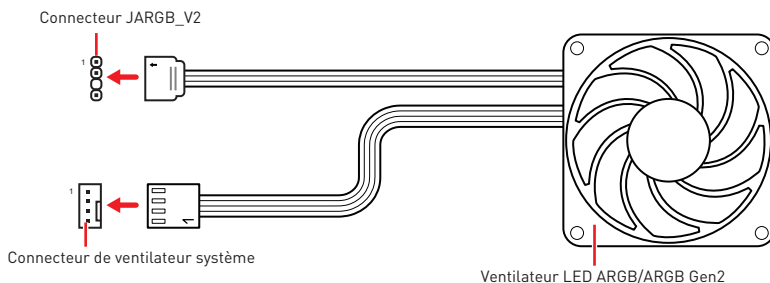


Broche	Nom de signal	Broche	Nom de signal
1	+5V	2	Data
3	No Pin	4	Ground

Connexion du ruban LED RGB adressable



Connexion du ventilateur LED RGB adressable



Attention

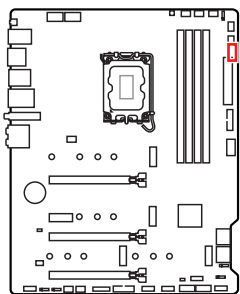
Faites attention à bien connecter le bon type de ruban LED. Le connecteur JRGB et le connecteur JARGB_V2 fournissent des tensions différentes. La connexion d'un ruban LED ARGB 5 V au connecteur JRGB peut endommager le ruban LED.




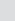
Important

- Afin d'obtenir les meilleurs effets, nous vous recommandons fortement d'installer des rubans LED proposant les mêmes caractéristiques.
- Avant d'installer ou de retirer le ruban LED RGB adressable, veillez à toujours éteindre l'alimentation et à débrancher le cordon d'alimentation de la prise électrique.
- Veuillez utiliser un logiciel de MSI dédié pour contrôler le ruban d'extension LED.

EZ Debug LED

Ces LED indiquent l'état de débogage de la carte mère.



Couleur LED	État
Rouge 	Le CPU n'est pas détecté ou que son initialisation a échoué
Jaune 	La mémoire DRAM n'est pas détectée ou que son initialisation a échoué
Blanc 	Le GPU n'est pas détecté ou que son initialisation a échoué
Vert 	Le périphérique de démarrage n'est pas détecté ou que son initialisation a échoué

Installer le système d'exploitation, les pilotes et MSI Center

Veillez vous référer au site www.msi.com pour télécharger et mettre à jour les derniers utilitaires et pilotes.

Installer Windows 10/Windows 11

1. Allumez l'ordinateur.
2. Insérez le disque ou la clé USB d'installation de Windows 10/Windows 11 dans votre ordinateur.
3. Appuyez sur le bouton **Redémarrer (Restart)** du boîtier de l'ordinateur.
4. Appuyez sur la touche **F11** pendant le POST (Power-On Self Test) du système pour entrer dans le menu de démarrage.
5. Choisissez le disque ou la clé USB d'installation de Windows 10/Windows 11 dans le menu de démarrage.
6. Appuyez sur n'importe quelle touche lorsqu'apparaît le message **[Appuyez sur n'importe quelle touche pour démarrer du CD ou du DVD] (Press any key to boot from CD or DVD)**. Sinon, veuillez ignorer cette étape.
7. Suivez les instructions à l'écran pour installer Windows 10/Windows 11.

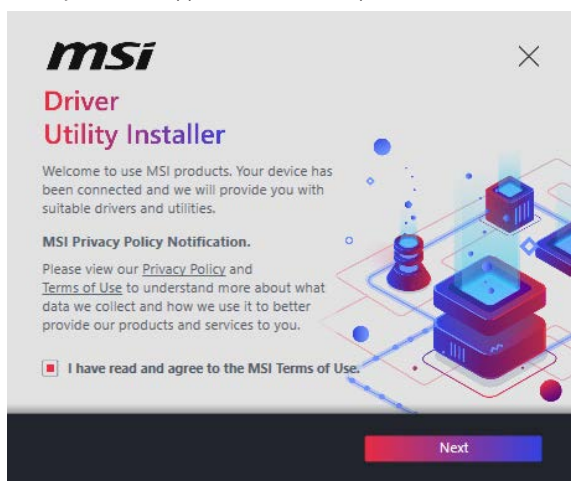
Installer les pilotes avec MSI® Driver DVD

1. Allumez l'ordinateur sous Windows 10/Windows 11.
2. Insérez MSI® Driver DVD dans le lecteur optique.
3. Cliquez sur la fenêtre popup **Choisir quoi faire avec ce disque (Select to choose what happens with this disc)**, puis choisissez **Lancer DVDSetup.exe (Run DVDSetup.exe)** pour ouvrir l'outil d'installation. Si vous désactivez la fonction AutoPlay dans le panneau de configuration Windows, vous pouvez quand même exécuter manuellement **DVDSetup.exe** à partir du chemin d'accès depuis la racine du DVD de pilotes MSI.
4. L'outil d'installation trouvera et listera tous les pilotes dont vous avez besoin dans l'onglet **Pilotes/Logiciels (Drivers/Software)**.
5. Cliquez sur le bouton **Installer (Install)** dans le coin inférieur droit de la fenêtre.
6. L'installation des pilotes commence. Une fois terminée, il vous sera demandé de redémarrer.
7. Cliquez sur le bouton **OK** pour terminer.
8. Redémarrez votre ordinateur.

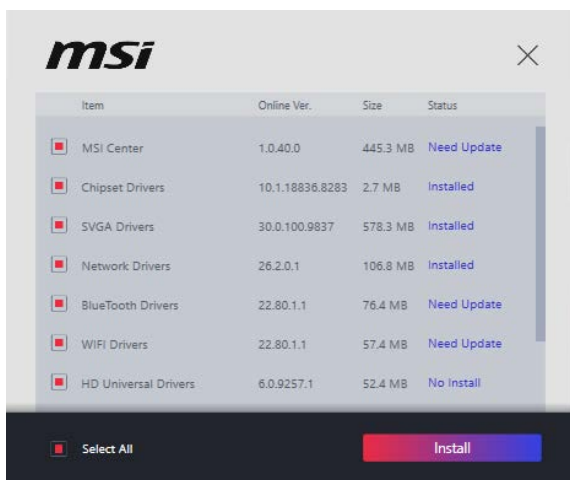
Installer les pilotes avec MSI Driver Utility Installer

Important

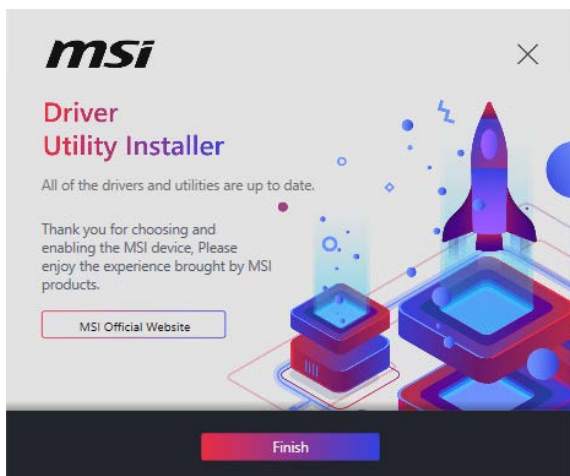
- Certaines nouvelles puces réseau ne sont pas prises en charge par Windows 10/Windows 11. Il est recommandé d'installer le pilote LAN avant d'installer les pilotes avec MSI Driver Utility Installer. Veuillez vous référer au site www.msi.com pour installer le pilote LAN adapté à votre carte mère.
 - Le MSI Driver Utility Installer n'apparaîtra qu'une seule fois. Si vous l'annulez ou le fermez pendant le processus, veuillez vous référer au chapitre Live Update du manuel MSI Center pour installer les pilotes. Vous pouvez également vous rendre sur le site www.msi.com pour rechercher votre carte mère et télécharger les pilotes.
 - MSI Driver Utility Installer doit être installé via Internet.
1. Allumez l'ordinateur sous Windows 10/Windows 11.
 2. Sélectionnez **Démarrer (Start)** > **Paramètres (Settings)** > **Windows Update**, puis sélectionnez **Rechercher des mises à jour**.
 3. MSI Driver Utility Installer apparaîtra automatiquement.



4. Cochez la case **J'ai lu et j'accepte les conditions d'utilisation de MSI (I have read and agree to the MSI Terms of Use)**, puis cliquez sur **Suivant (Next)**.



5. Cochez la case **Sélectionner tout (Select All)** dans le coin inférieur gauche et cliquez sur **Installer (Install)** pour installer MSI Center et les pilotes. La progression de l'installation sera affichée en bas.



6. Une fois la progression terminée, cliquez sur **Terminer (Finish)**.

MSI Center

MSI Center est une application qui vous aide à optimiser facilement les paramètres de jeu et à utiliser les logiciels de création de contenu de manière intuitive. Elle vous permet également de contrôler et de synchroniser les effets de lumière LED sur les PC et autres produits MSI. Avec MSI Center, vous pouvez personnaliser les modes selon vos envies, surveiller les performances du système et régler la vitesse du ventilateur.

Guide d'utilisation de MSI Center



Si vous souhaitez en savoir plus sur MSI Center, veuillez vous référer au fichier

<http://download.msi.com/manual/mb/MSICENTER.pdf>

ou scannez le code QR pour y accéder.



Important

Les fonctions peuvent varier en fonction du produit que vous possédez.

UEFI BIOS

Le BIOS UEFI de MSI est compatible avec l'architecture UEFI (Unified Extensible Firmware Interface). Le BIOS UEFI présente de nombreuses nouvelles fonctionnalités et avantages qui ne sont pas proposés par le BIOS traditionnel. Le BIOS UEFI est ainsi voué à totalement remplacer le BIOS traditionnel à l'avenir. Le BIOS UEFI de MSI utilise UEFI comme mode de démarrage par défaut pour profiter au maximum des capacités du nouveau chipset.



Important

Dans ce guide d'utilisation, le terme BIOS se réfère au BIOS UEFI, sauf indication contraire.

Avantages de l'UEFI

- Démarrage rapide - L'UEFI peut démarrer directement le système d'exploitation et enregistrer le processus d'autotest du BIOS. Il élimine également le temps à attendre pour passer en mode CSM pendant le POST.
- Prend en charge des partitions de disque dur supérieures à 2 To.
- Prend en charge plus de 4 partitions principales avec une table de partition GUID (GPT).
- Prend en charge un nombre illimité de partitions.
- Prend en charge toutes les capacités de nouveaux appareils - les nouveaux appareils peuvent ne pas fournir de compatibilité descendante.
- Prend en charge le démarrage sécurisé - L'UEFI peut vérifier la validité du système d'exploitation pour s'assurer qu'aucun malware ne perturbe le processus de démarrage.

Cas d'incompatibilité avec l'UEFI

- **Système d'exploitation Windows 32 bits** - cette carte mère supporte uniquement le système d'exploitation Windows 10/Windows 11 64 bits.
- **Carte graphique ancienne** - le système détectera votre carte graphique. Si vous utilisez des cartes graphiques plus anciennes, le message d'avertissement suivant peut apparaître : **Aucun protocole de sortie graphique (GOP) n'est détecté sur cette carte graphique.**



Important

Nous vous recommandons de remplacer votre carte graphique par un modèle compatible GOP/UEFI ou d'utiliser un processeur avec puce graphique intégrée pour profiter d'un fonctionnement normal.

Comment vérifier le mode BIOS ?

1. Allumez votre ordinateur.
2. Pendant le démarrage, lorsqu'apparaît le message **Press DEL key to enter Setup Menu, F11 to enter Boot Menu** sur l'écran, veuillez appuyer sur la touche **Suppr.**
3. Après être entré dans le BIOS, vous pouvez vérifier le **Mode BIOS** en haut de l'écran.

BIOS Mode: UEFI

Configuration du BIOS

Les réglages par défaut fournissent une performance optimale pour la stabilité du système en conditions normales. Veuillez à **toujours garder les réglages par défaut** pour éviter d'endommager le système ou tout problème au démarrage, sauf si vous êtes familier avec le BIOS.



Important

- Le BIOS est constamment mis à jour afin d'offrir de meilleures performances du système. Par conséquent, la description peut différer selon la version du BIOS utilisée et n'est donc donnée qu'à titre de référence. Vous pouvez aussi vous référer à l'onglet **Help (Aide)** pour obtenir la description de l'élément du BIOS.
- Les écrans, les options et les paramètres du BIOS peuvent varier selon votre système.

Entrer dans la configuration du BIOS

Pendant le démarrage, lorsqu'apparaît le message **Press DEL key to enter Setup Menu, F11 to enter Boot Menu** sur l'écran, veuillez appuyer sur la touche **Suppr.**

Touches de fonction

- F1 :** Liste d'aide générale
- F2 :** Ajouter ou supprimer un élément favori
- F3 :** Entrer dans le menu Favoris
- F4 :** Entrer dans le menu caractéristiques du processeur
- F5 :** Entrer dans le menu Memory-Z
- F6 :** Charger les réglages par défaut
- F7 :** Alternner entre le mode avancé et le mode simplifié
- F8 :** Charger le profil d'overclocking
- F9 :** Sauvegarder le profil d'overclocking
- F10 :** Sauvegarder les modifications et réinitialiser*
- F12 :** Prendre une capture d'écran et la conserver dans la clé USB (au format FAT/FAT32 uniquement)
- Ctrl+F :** Entrer dans la page de recherche

* Lorsque vous appuyez sur F10, une fenêtre de confirmation apparaît et fournit l'information de modification. Choisissez entre Oui et Non pour confirmer.

Guide d'utilisation du BIOS



Si vous souhaitez en savoir plus sur la configuration du BIOS, veuillez vous référer au fichier <http://download.msi.com/manual/mb/Intel700BIOSfr.pdf> ou scannez le code QR pour y accéder.



Important

Les fonctions peuvent varier en fonction du produit que vous possédez.

Réinitialiser le BIOS

Il se peut que vous ayez besoin de récupérer les réglages BIOS par défaut pour résoudre des problèmes. Pour réinitialiser les réglages du BIOS, veuillez suivre l'une des méthodes suivantes :

- Allez dans le BIOS et appuyez sur **F6** pour charger les réglages par défaut.
- Court-circuitez le cavalier **Clear CMOS** sur la carte mère.



Important

Assurez-vous que l'ordinateur est éteint avant d'effacer les données CMOS. Veuillez vous référer à la section cavalier **Clear CMOS** pour réinitialiser le BIOS.

Mettre le BIOS à jour

Mettre le BIOS à jour avec M-FLASH

Avant la mise à jour :

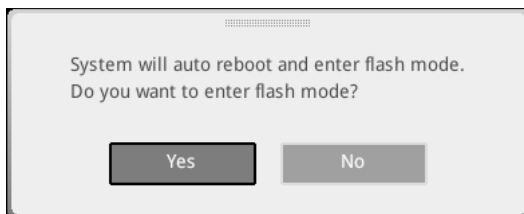
Veillez télécharger la dernière version du BIOS compatible à votre carte mère sur le site MSI. Ensuite, veuillez sauvegarder le profil BIOS sur la clé USB.

Mettre le BIOS à jour :

1. Accédez au BIOS ROM voulu avec le commutateur Multi-BIOS. Ignorez cette étape si votre carte mère ne possède pas ce commutateur.
2. Insérez la clé USB contenant le fichier de mise à jour au port USB.
3. Veuillez vous référer aux méthodes suivantes pour passer en mode flash.
 - Redémarrez et appuyez sur la touche **Ctrl + F5** pendant le processus de POST et cliquez sur Oui pour redémarrer le système.

Press <Ctrl+F5> to activate M-Flash for BIOS update.

- Redémarrez et appuyez sur la touche **Del** pendant le processus de POST pour entrer dans le BIOS. Cliquez sur le bouton **M-FLASH** et cliquez sur Oui pour redémarrer le système.



4. Sélectionnez un profil BIOS pour commencer la mise à jour du BIOS.
5. Lorsque vous y êtes invité, cliquez sur **Oui** pour lancer la restauration du BIOS.
6. Une fois la mise à jour terminée, le système redémarrera automatiquement.

Mettre le BIOS à jour avec MSI Center

Avant la mise à jour :

- Assurez-vous que le lecteur LAN est bien installé et que l'ordinateur est correctement connecté à internet.
- Veuillez désactiver tous les autres logiciels d'application avant de mettre à jour le BIOS.

Mettre le BIOS à jour :

1. Installez et lancez MSI Center et accédez à la page **Support**.
2. Sélectionnez **Live Update** et cliquez sur le bouton **Avancé**.
3. Sélectionnez le profil BIOS et cliquez sur le bouton **Installer**.
4. Le rappel d'installation apparaît. Cliquez ensuite sur le bouton **Installer**.
5. Le système redémarrera automatiquement pour la mise à jour du BIOS.
6. Une fois la mise à jour terminée, le système redémarrera automatiquement.

Mettre le BIOS à jour avec Bouton Flash BIOS

1. Veuillez télécharger la dernière version du BIOS compatible à votre carte mère sur le site MSI®.
2. Renommez le profil BIOS en MSI.ROM et enregistrez-le à la racine de la clé USB.
3. Connectez l'alimentation aux connecteurs **CPU_PWR1** et **ATX_PWR1**. (Pas besoin d'installer le processeur et la mémoire.)
4. Branchez la clé USB contenant le fichier MSI.ROM au **Port Flash BIOS** sur le panneau E/S arrière.
5. Appuyez sur le **Bouton Flash BIOS** pour flasher le BIOS. Le voyant LED commencera alors à clignoter.
6. Une fois le processus terminé, la LED s'éteint.

Содержание

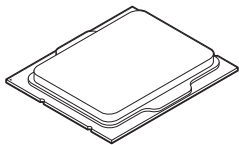
Краткое руководство по установке.....	3
Технические характеристики.....	15
Эксклюзивные функции.....	19
Комплект поставки.....	20
Разъемы задней панели.....	21
Таблица состояний индикатора порта LAN.....	22
Подключение аудиоразъемов.....	22
Установка антенн.....	24
Компоненты материнской платы.....	25
Процессорный сокет.....	26
Слоты DIMM.....	27
PCI_E1~4: Слоты расширения PCIe.....	28
M2_1~4: Разъемы M.2 (Ключ M).....	29
SATA1~6: Разъемы SATA 6Гбит/с.....	38
JAUD1: Разъем аудио передней панели.....	38
JFP1, JFP2: Разъемы передней панели.....	39
CPU_PWR1~2, ATX_PWR1: Разъемы питания.....	40
JCI1: Разъем датчика открытия корпуса.....	41
JUSB5: Разъем USB 3.2 Gen 2 Type-C на передней панели.....	42
JUSB3~4: Разъемы USB 3.2 Gen 1.....	42
JUSB1~2: Разъемы USB 2.0.....	43
JTPM1: Разъем модуля TPM.....	43
JDASH1: Разъем контроллера настройки.....	44
JTBT_U4_1: Разъем USB4 для подключения карты расширения.....	44
CPU_FAN1, PUMP_FAN1, SYS_FAN1~6: Разъемы вентиляторов.....	45
JBAT1: Джемпер очистки данных CMOS (Сброс BIOS).....	46
BAT1: Батарейка CMOS.....	47
JRGB1~2: Разъемы RGB LED.....	48
JARGB_V2_1~2: Разъемы A-RAINBOW V2 (ARGB Gen2) LED.....	49
Индикаторы отладки EZ.....	50

Установка ОС, драйверов и MSI Center	51
Установка драйверов с помощью MSI Driver Utility Installer	52
UEFI BIOS.....	55
Настройка BIOS.....	56
Сброс BIOS	57
Обновление BIOS.....	57

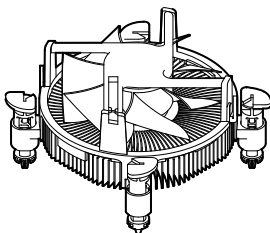
Краткое руководство по установке

Благодарим вас за покупку новой материнской платы MSI®. В этом разделе приведены демонстрационные схемы установки компьютера. Для некоторых моделей также доступны видеоруководства. Чтобы посмотреть видео, посетите веб-сайт по URL-адресу или отсканируйте QR-код и откройте веб-сайт в веб-браузере на мобильном телефоне или планшете.

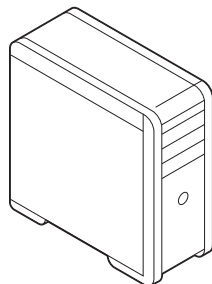
Подготовка инструментов и компонентов



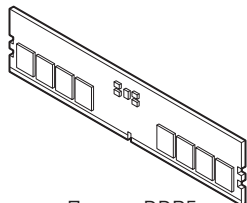
Процессор Intel® LGA1700



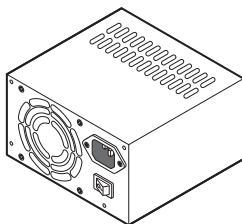
Вентилятор процессора LGA1700



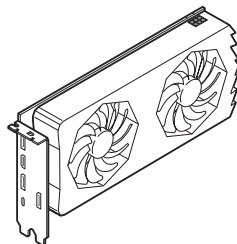
Корпус



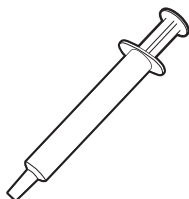
Память DDR5



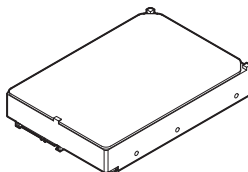
Блок питания



Видеокарта



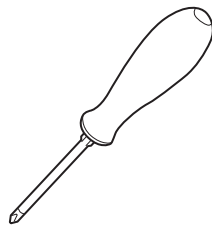
Термопаста



Жесткий диск с интерфейсом SATA



Винты, 1 уп.



Отвертка Phillips

Безопасное использование продукции

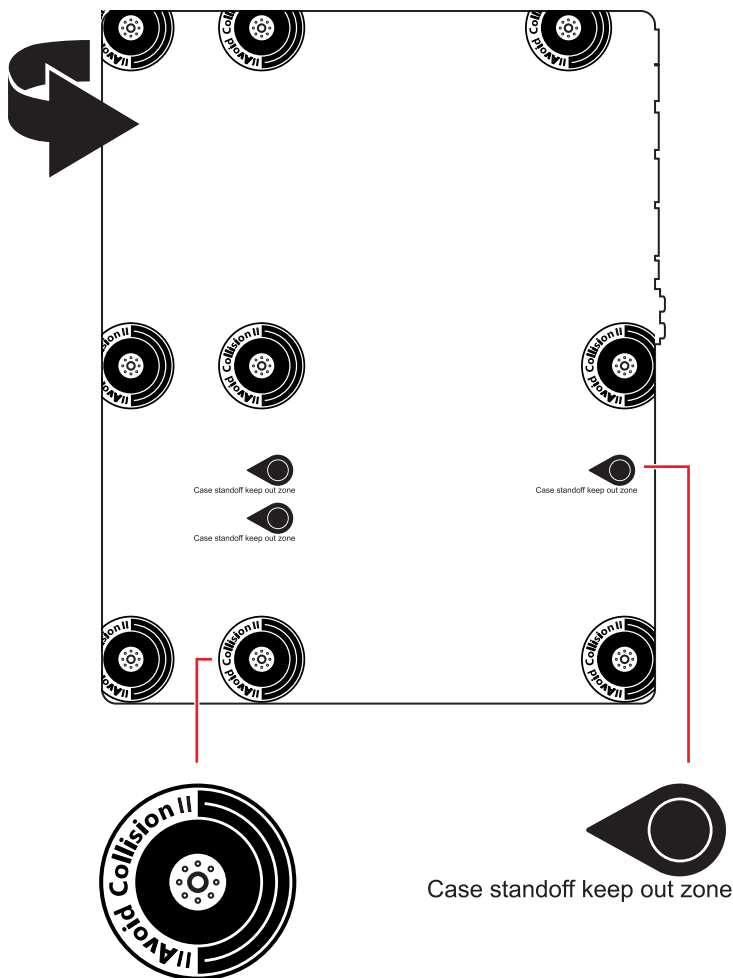
- Компоненты, входящие в комплект поставки могут быть повреждены статическим электричеством. Для успешной сборки компьютера, пожалуйста, следуйте указаниям ниже.
- Убедитесь, что все компоненты компьютера подключены должным образом. Ослабленные соединения компонентов могут привести как к сбоям в работе, так и полной неработоспособности компьютера.
- Чтобы избежать повреждений компонентов платы всегда держите ее за края.
- При сборке компьютера рекомендуется пользоваться электростатическим браслетом. В случае, если это невозможно, перед работой с платой снимите электростатический заряд со своего тела, прикоснувшись к металлическому предмету.
- В случае, если материнская плата не установлена в корпус, храните ее в антистатической упаковке или на антистатическом коврике.
- Перед включением компьютера убедитесь, что все винты крепления и другие металлические компоненты на материнской плате и внутри корпуса надежно зафиксированы.
- Не включайте компьютер, если сборка не завершена. Это может привести к повреждению компонентов, а также травмированию пользователя.
- Если вам нужна помощь на любом этапе сборки компьютера, пожалуйста, обратитесь к сертифицированному компьютерному специалисту.
- Всегда выключайте питание и отсоединяйте шнур питания от электрической розетки перед установкой или удалением любого компонента компьютера.
- Сохраните это руководство для справки.
- Не допускайте воздействия на материнскую плату высокой влажности.
- Перед тем как подключить блок питания компьютера к электрической розетке убедитесь, что напряжение электросети соответствует напряжению, указанному на блоке питания.
- Располагайте шнур питания так, чтобы на него не могли наступить люди. Не ставьте на шнур питания никаких предметов.
- Необходимо учитывать все предостережения и предупреждения, указанные на материнской плате.
- При возникновении любой из перечисленных ниже ситуаций обратитесь в сервисный центр для проверки материнской платы:
 - Попадание жидкости внутрь компьютера.
 - Материнская плата подверглась воздействию влаги.
 - Материнская плата не работает должным образом или невозможно наладить ее работу в соответствии с руководством пользователя.
 - Материнская плата получила повреждения при падении.
 - Материнская плата имеет явные признаки повреждения.
- Не храните материнскую плату в местах с температурой выше 60°C (140°F), так как это может привести к ее повреждению.

Уведомление о стойках для крепления материнской платы

Во избежание повреждения материнской платы, запрещается устанавливать любые ненужные стойки в зонах электрических дорожек материнской платы для крепления ее в корпусе компьютера. Знаки «Case standoff keep out zone» (зона, где запрещается устанавливать стойки) отмечены на задней стороне материнской платы (как показано ниже) для предупреждения пользователей.

Избегайте ударов

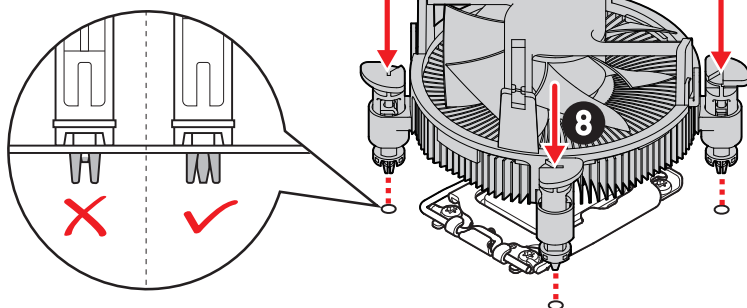
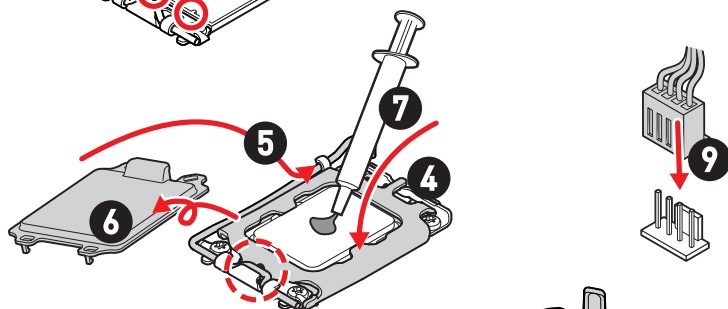
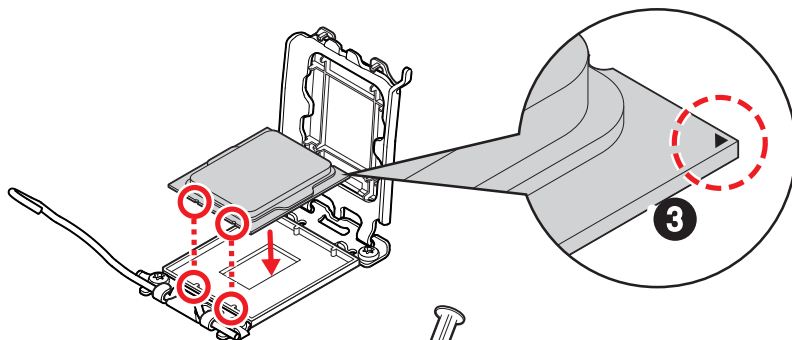
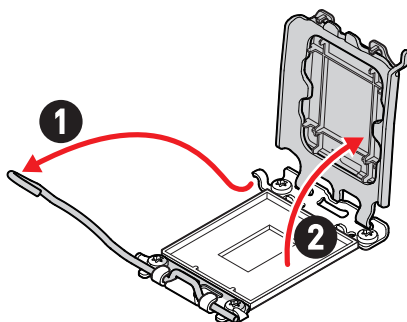
Защитная краска нанесена вокруг каждого отверстия под винты, чтобы защитить детали от царапин.



Установка процессора



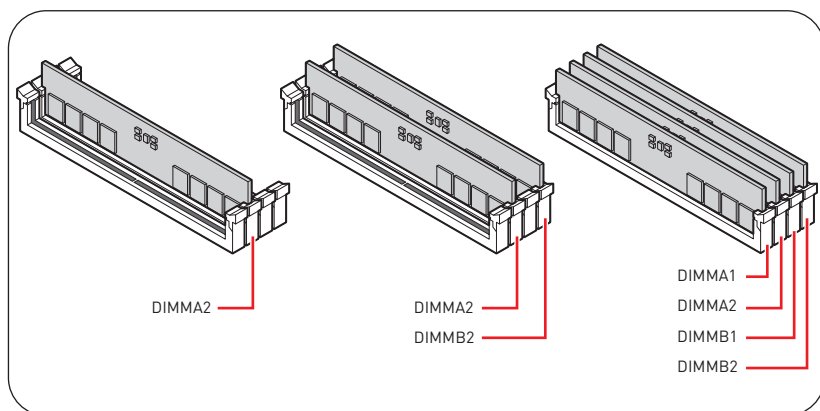
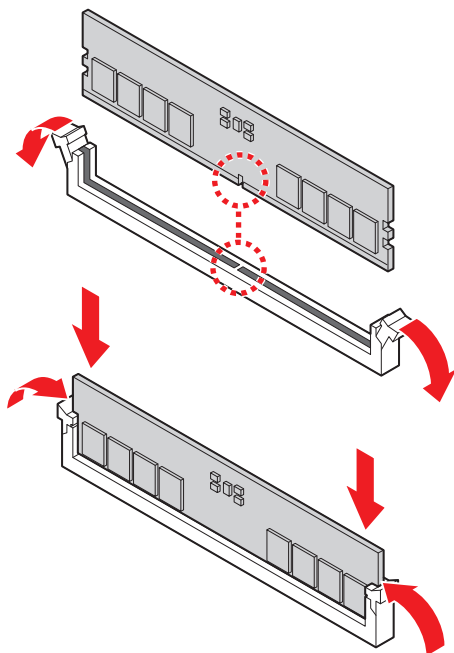
• <https://youtu.be/KMf9oIDsGes>



Установка модуля памяти DDR5



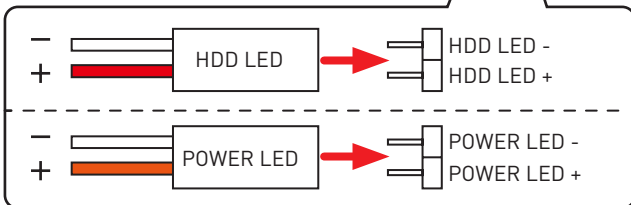
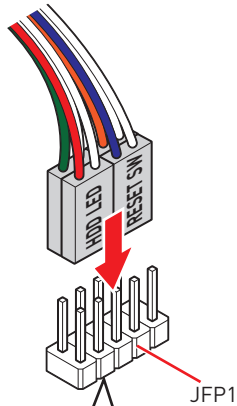
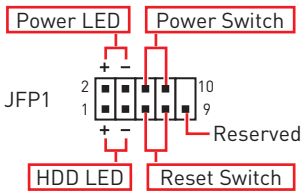
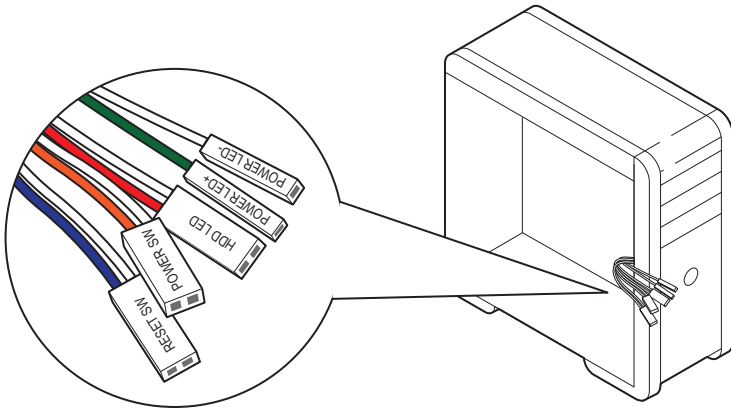
- <https://youtu.be/XiNmKDNZcZk>



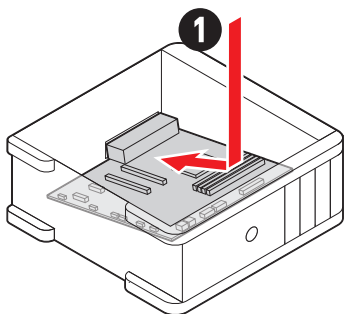
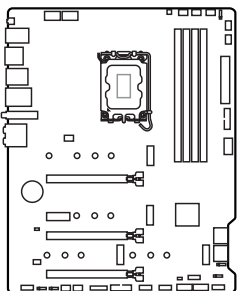
Подключение разъема на передней панели



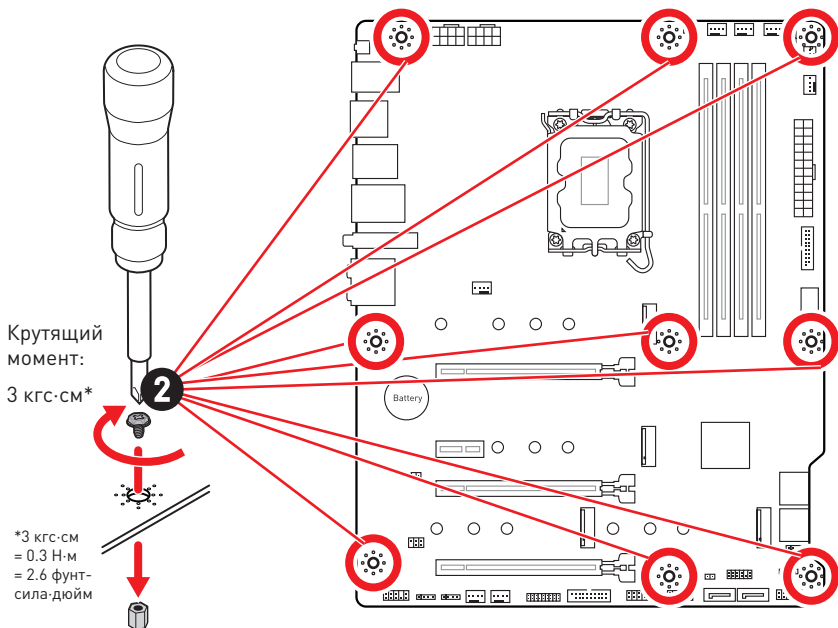
- <http://youtu.be/DPELIdVNZUI>



Установка материнской платы



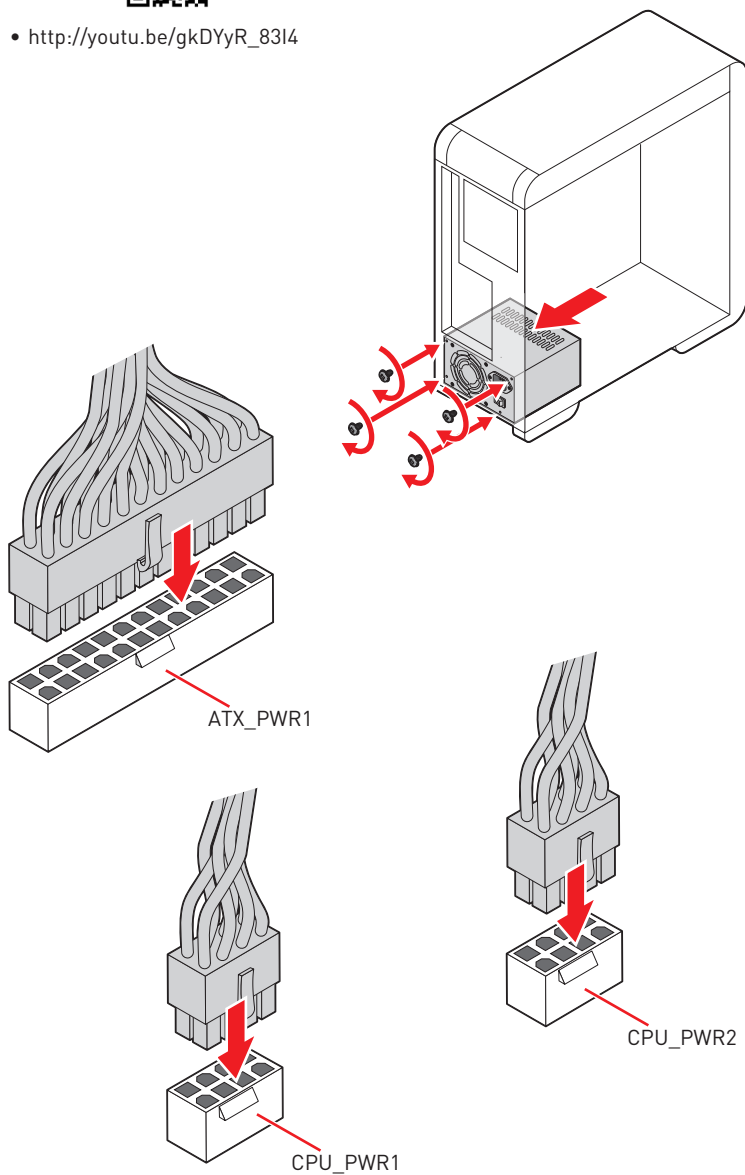
• <https://youtu.be/wWl6Qt51Wnc>



Подключение разъема питания



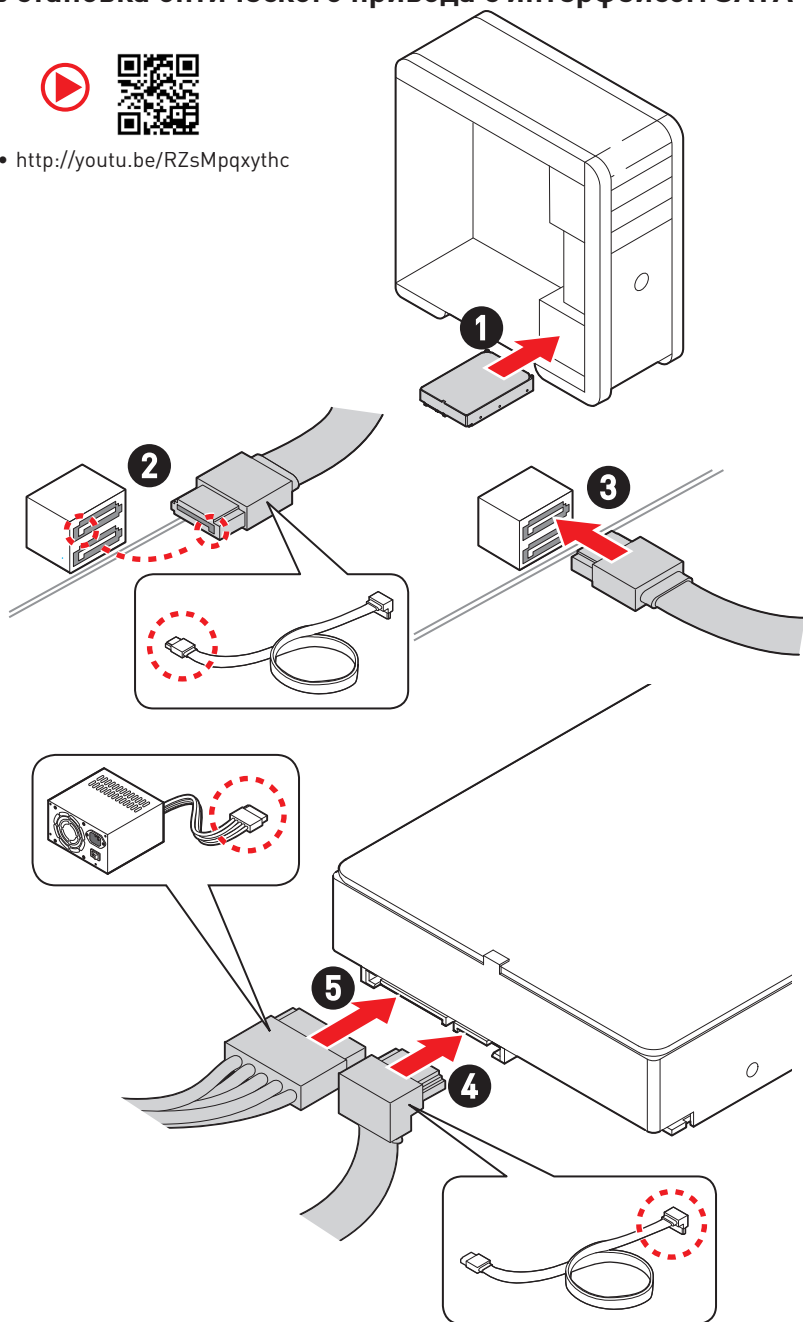
- http://youtu.be/gkDYyR_83I4



Установка оптического привода с интерфейсом SATA



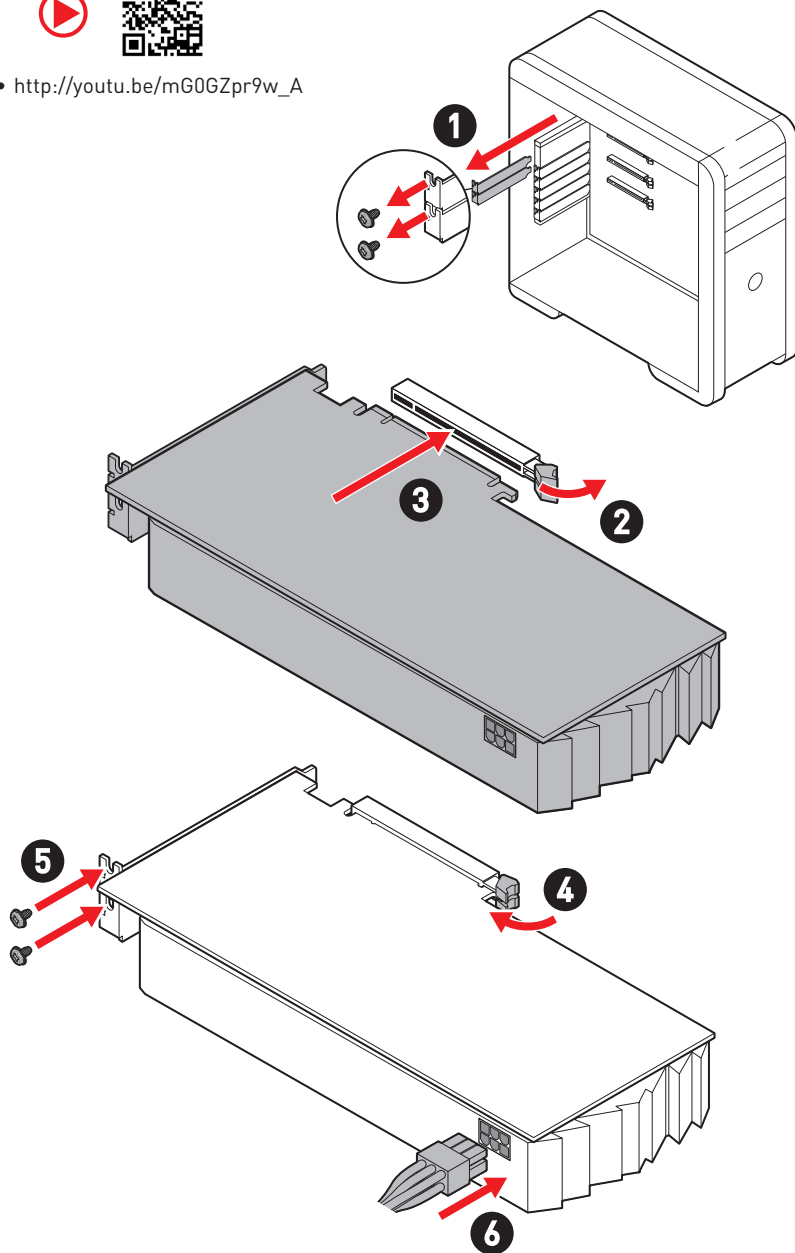
• <http://youtu.be/RZsMpqxythc>



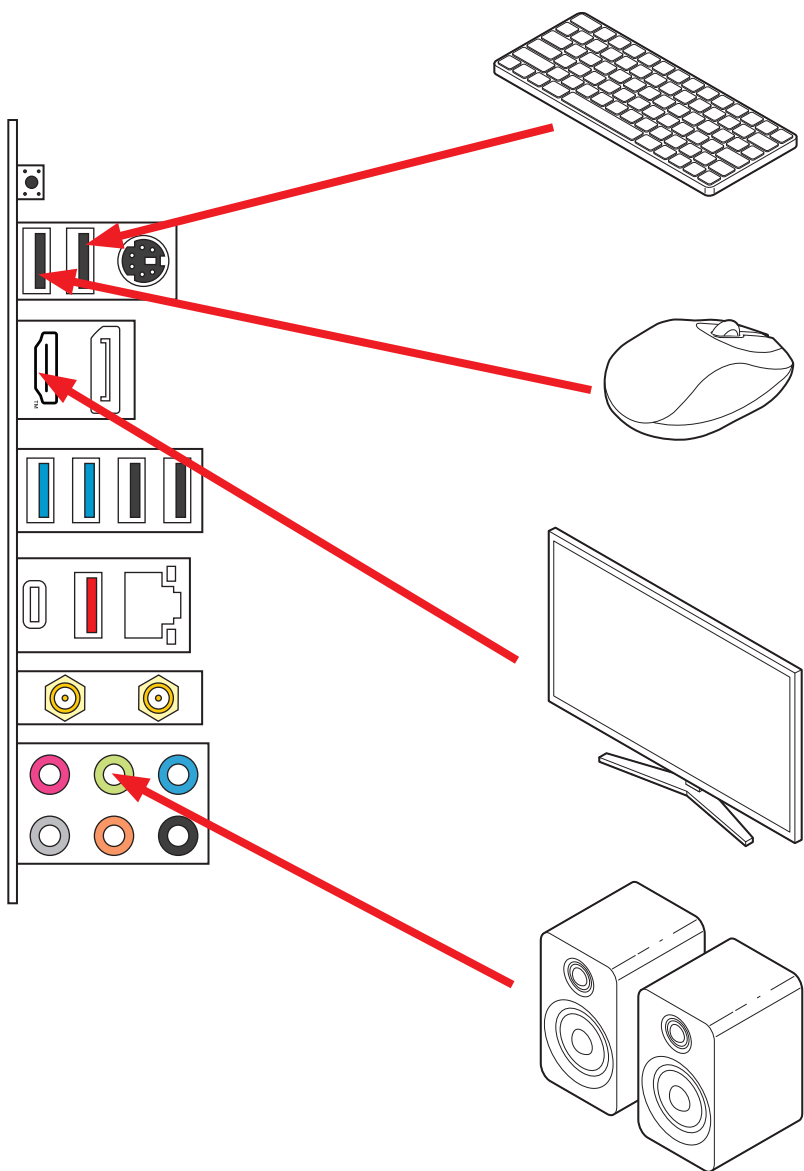
Установка видеокарты



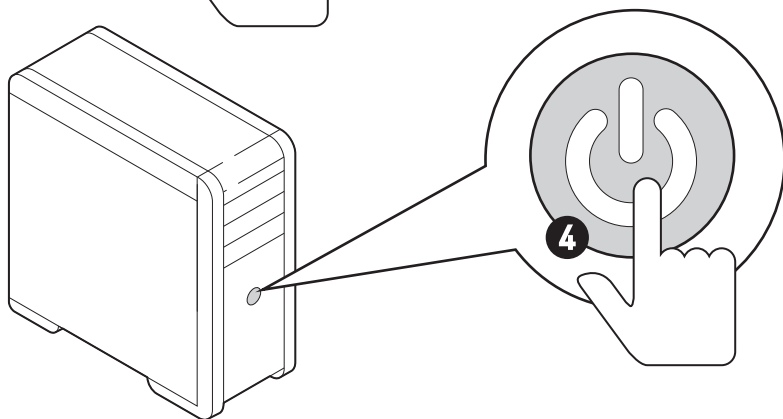
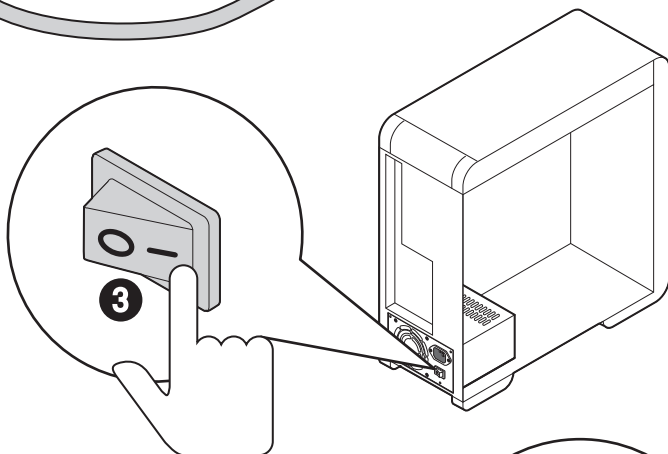
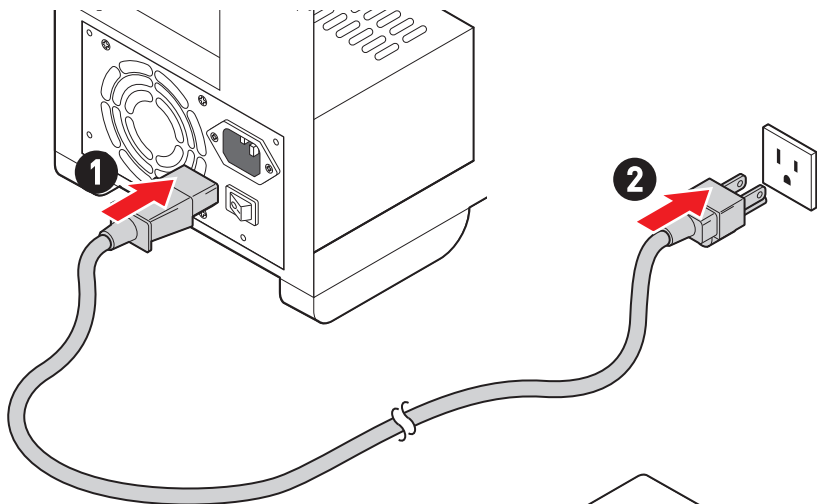
• http://youtu.be/mG0GZpr9w_A



Подключение периферийных устройств



Включение питания



Технические характеристики

Процессор	<ul style="list-style-type: none"> • Поддержка процессоров Intel® Core™ 14-го/ 13-го/12-го поколения, процессоров Intel® Pentium® Gold и Celeron®* • Процессорный сокет LGA1700 <p>* Обратитесь www.msi.com, чтобы получить последнюю информацию о поддержке новых процессоров.</p>
Чипсет	Intel® Z790
Память	<ul style="list-style-type: none"> • 4x слота памяти DDR5 с поддержкой до 192ГБ* • Поддержка 1R 5600 МГц (по стандартам JEDEC и POR) • Максимальная частота разгона: <ul style="list-style-type: none"> • 1DPC 1R поддерживает макс. частоту 7200+ МГц • 1DPC 2R поддерживает макс. частоту 6600+ МГц • 2DPC 1R поддерживает макс. частоту 6400+ МГц • 2DPC 2R поддерживает макс. частоту 5600+ МГц • Поддержка Intel® XMP 3.0 OC • Двухканальная архитектура Dual-Controller Dual-Channel • Поддержка pop-ECC, небуферизованной памяти <p>* Пожалуйста, обратитесь www.msi.com для получения дополнительной информации о совместимых модулях памяти.</p>
Слоты расширения	<ul style="list-style-type: none"> • 3x слота PCIe x16 <ul style="list-style-type: none"> • Слот PCI_E1 (от процессора) <ul style="list-style-type: none"> • Поддержка PCIe 5.0 x16 • Слоты PCI_E3 и PCI_E4 (от чипсета Z790) <ul style="list-style-type: none"> • Слот PCI_E3 поддерживает PCIe 4.0 x4 • Слот PCI_E4 поддерживает PCIe 3.0 x1 • 1x слот PCIe x1 (от чипсета Z790) <ul style="list-style-type: none"> • Слот PCI_E2 поддерживает PCIe 3.0 x1
Встроенная графика	<ul style="list-style-type: none"> • 1x порт HDMI™ 2.1 в режиме HDR, с поддержкой максимального разрешения 4K 60Гц^{*/**} • 1x порт DisplayPort 1.4 в режиме HBR2, с поддержкой максимального разрешения 4K 60Гц^{*/**} <p>* Доступно для процессоров с интегрированной графикой. ** Спецификации видеокарт могут меняться в зависимости от установленного процессора.</p>
Порт SATA	<ul style="list-style-type: none"> • 6x портов SATA 6Гбит/с (от чипсета Z790)

Продолжение на следующей странице

Продолжение с предыдущей страницы

Разъем M.2 SSD	<ul style="list-style-type: none">• 4x разъема M.2 (Ключ M)• Разъем M2_1 (от процессора)<ul style="list-style-type: none">• Поддержка PCIe 4.0 x4• Поддержка накопителей 2242/ 2260 /2280/ 22110• Разъем M2_2 (от чипсета Z790)<ul style="list-style-type: none">• Поддержка PCIe 4.0 x4• Поддержка накопителей 2242/ 2260 /2280• Разъем M2_3 (от чипсета Z790)<ul style="list-style-type: none">• Поддержка PCIe 4.0 x4• Поддержка SATA 6Гбит/с• Поддержка накопителей 2242/ 2260 /2280• Разъем M2_4 (от чипсета Z790)<ul style="list-style-type: none">• Поддержка PCIe 4.0 x4• Поддержка SATA 6Гбит/с• Поддержка накопителей 2242/ 2260 /2280
RAID	<ul style="list-style-type: none">• Поддержка RAID 0, RAID 1, RAID 5 и RAID 10 для накопителей SATA• Поддержка RAID 0, RAID 1 , RAID 5 и RAID 10 для накопителей M.2 NVMe
Аудио	Realtek® ALC897 Codec <ul style="list-style-type: none">• 7.1-канальный High Definition Audio
LAN	<ul style="list-style-type: none">• 1x 2.5-гигабитный сетевой контроллер Intel®
Wi-Fi и Bluetooth®	Модуль беспроводной связи на базе чипсета Intel® Wi-Fi 6E <ul style="list-style-type: none">• Беспроводной модуль предварительно устанавливается в разъем M.2 (Ключ E)• Поддержка MU-MIMO TX/RX, 2.4ГГц/ 5ГГц/ 6ГГц * (160МГц) со скоростью до 2.4Гбит/с• Поддержка 802.11 a/ b/ g/ n/ ac/ ax• Поддержка Bluetooth® 5.3**, FIPS, FISMA <p>* Доступность Wi-Fi в диапазоне 6 ГГц зависит от поддержки Windows 11 и правил каждой страны.</p> <p>** Версия Bluetooth может быть обновлена, подробности см. на сайте производителя чипсета Wi-Fi.</p>

Продолжение на следующей странице

Продолжение с предыдущей страницы

Разъемы питания	<ul style="list-style-type: none">• 1x 24-контактный разъем питания ATX• 2x 8-контактных разъема питания +12В
Внутренний разъем USB	<ul style="list-style-type: none">• 1x порт USB 3.2 Gen 2 10Гбит/с Type-C на передней панели (от чипсета Z790)• 2x разъема USB 3.2 Gen 1 5Гбит/с (от чипсета Z790)<ul style="list-style-type: none">• Поддержка дополнительных 4-х портов USB 3.2 Gen 1 5Гбит/с• 2x разъема USB 2.0 (от USB-хаба Hub-GL850G)<ul style="list-style-type: none">• Поддержка дополнительных 4-х портов USB 2.0
Разъемы вентиляторов	<ul style="list-style-type: none">• 1x 4-контактный разъем вентилятора процессора• 1x 4-контактный разъем вентилятора Water Pump• 6x 4-контактных разъемов вентилятора системы
Системные разъемы	<ul style="list-style-type: none">• 1x разъем аудио передней панели• 2x разъема системной панели• 1x разъем датчика открытия корпуса• 1x разъем модуля TPM• 1x разъем контроллера настройки• 1x разъем USB4 для подключения карты расширения (с поддержкой RTD3)
Джамперы	<ul style="list-style-type: none">• 1x джампер очистки данных CMOS
Параметры индикаторов	<ul style="list-style-type: none">• 4x индикатора отладки EZ• 2x 4-контактных разъема RGB LED• 2x 3-контактных разъема A-RAINBOW V2 (ARGB Gen2) LED

Продолжение на следующей странице

Продолжение с предыдущей страницы

Разъемы задней панели	<ul style="list-style-type: none">• 1x кнопка Flash BIOS• 1x порт PS/2• 4x порта USB 2.0 Type-A (от чипсета Z790)• 1x порт DisplayPort• 1x порт HDMI™• 1x порт LAN (RJ45)• 2x порта USB 3.2 Gen 1 5Гбит/с Type-A (от чипсета Z790)• 1x порт USB 3.2 Gen 2 10Гбит/с Type-A (от чипсета Z790)• 1x порт USB 3.2 Gen 2x2 20Гбит/с Type-C (от чипсета Z790)• 2x разъема антенны Wi-Fi• 6x аудиоразъемов
Контроллер ввода-вывода	NUVOTON NCT6687
Аппаратный мониторинг	<ul style="list-style-type: none">• Определение температуры процессора/системы/чипсета• Определение скорости вентиляторов процессора/системы/Pump fan• Управление скоростью вентиляторов процессора/системы/ Pump fan
Форм-фактор	<ul style="list-style-type: none">• ATX Форм-фактор• 244 мм x 305 мм [9.6 x 12 дюймов]
Параметры BIOS	<ul style="list-style-type: none">• 1x 256 Мб флэш• UEFI AMI BIOS• ACPI 6.4, SMBIOS 3.5• Мультиязычный интерфейс
Программное обеспечение	<ul style="list-style-type: none">• Драйверы• MSI Center• Intel Extreme Tuning Utility• CPU-Z MSI GAMING• Norton 360• AIDA64 Extreme - MSI Edition• Adobe Creative Cloud• Acrobat

Эксклюзивные функции

MSI Center

- Mystic Light
- Ambient Link
- Frozr AI Cooling
- User Scenario
- True Color
- Live Update
- Hardware Monitoring
- Super Charger
- Devices Speed Up
- Smart Image Finder
- MSI Companion
- System Diagnosis

Охлаждение

- Extended Heatsink Design
- M.2 Shield Frozr
- Термоинтерфейс K7 MOSFET/
Дополнительные термопрокладки
- Разъемы для подключения
вентиляторов (CPU + PUMP +
SYSTEM)

Производительность

- Core Boost
- VRM Power Design (VCPU/ VGT/ AUX)
- Dual CPU Power
- Memory Boost
- Lightning Gen 5 PCI-E
- Слот Lightning Gen 4 PCI-E/ M.2
- USB Type-C на передней панели
- Server Grade PCB
- 2oz Copper thickened PCB

Сделай сам

- PCI-E Steel Armor
- Зажим EZ M.2
- Индикаторы отладки EZ
- Переключатель для управления
индикаторами EZ
- Кнопка Flash BIOS
- Предустановленная заглушка
материнской платы на заднюю
панель

Аудио

- Audio Boost

Поддержка RGB

- Mystic Light Extension (RGB)
- Mystic Light Extension (A-RAINBOW
V2)
- Ambient Link

BIOS

- Click BIOS 5

Комплект поставки

Проверьте комплект поставки материнской платы. В него должны входить следующие элементы:

Материнская плата

- Материнская плата, 1 шт.

Документы

- Руководство по быстрой установке, 1 шт.
- Уведомление о соответствии стандартам Европейского Союза, 1 шт.

Диск с утилитами

- Диск с драйверами, 1 шт.

Кабели

- Кабель SATA 6Гбит/с, 2 шт.

Аксессуары

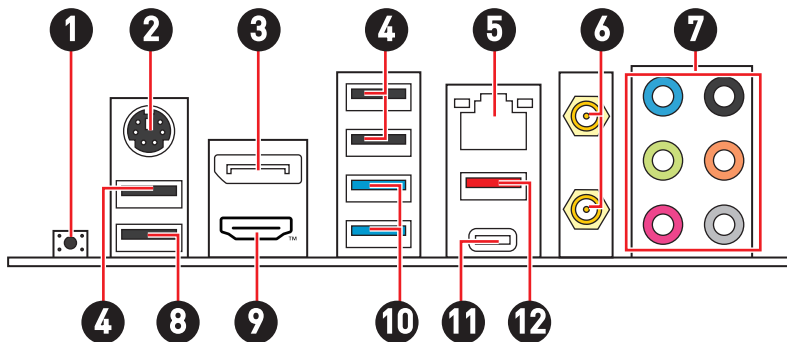
- Антенны Wi-Fi, 1 комп.
- Зажим EZ M.2 (1 комп./уп.), 2 уп.
- Винты для M.2 и стойка (1 компл./уп.), 1 уп.



Внимание!

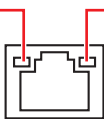
Если какой-либо элемент из комплекта поставки поврежден или отсутствует, пожалуйста, свяжитесь с продавцом.

Разъемы задней панели



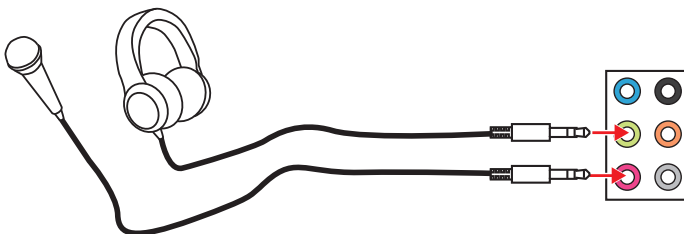
Пункт	Описание
1	Кнопка Flash BIOS
2	Порт PS/2
3	DisplayPort
4	Порты USB 2.0 Type-A (от чипсета Z790)
5	Порт LAN 2.5Гбит/с (RJ45)
6	Разъемы антенны Wi-Fi
7	Аудиоразъемы
8	Порт USB 2.0 Type-A (от чипсета Z790) • Порт Flash BIOS
9	Порт HDMI™ <small>HIGH-DEFINITION MULTIMEDIA INTERFACE</small>
10	Порт USB 3.2 Gen 1 5Гбит/с Type-A (от чипсета Z790)
11	Порт USB 3.2 Gen 2x2 20Гбит/с Type-C (от чипсета Z790)
12	Порт USB 3.2 Gen 2 10Гбит/с Type-A (от чипсета Z790)

Таблица состояний индикатора порта LAN

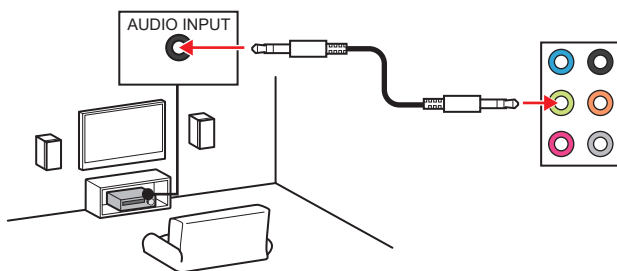
Подключение/ Работа индикатора			Скорость передачи данных	
Состояние	Описание		Состояние	Скорость
Выкл.	Не подключен	Выкл.	10 Мбит/с	
Желтый	Подключен	Зеленый	100/1000 Мбит/с	
Мигает	Передача данных	Оранжевый	2.5 Гбит/с	

Подключение аудиоразъемов

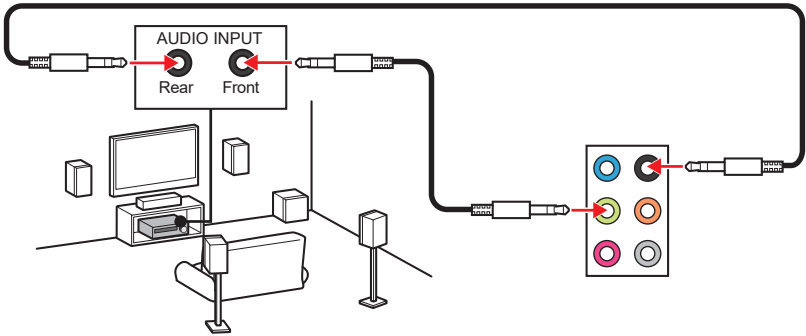
Подключение наушников и микрофона



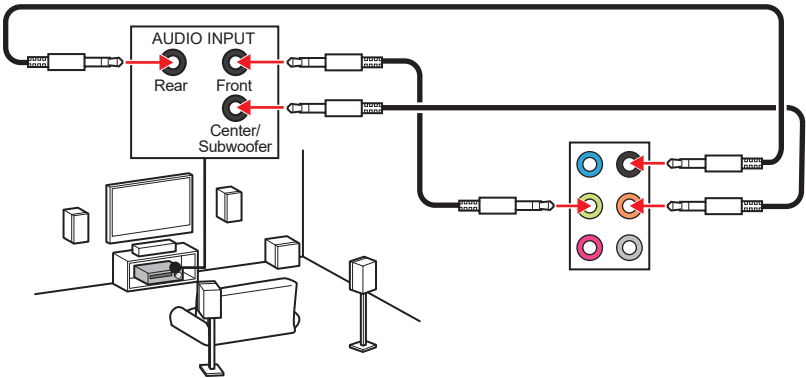
Подключение внешнего стерео усилителя (колонок)



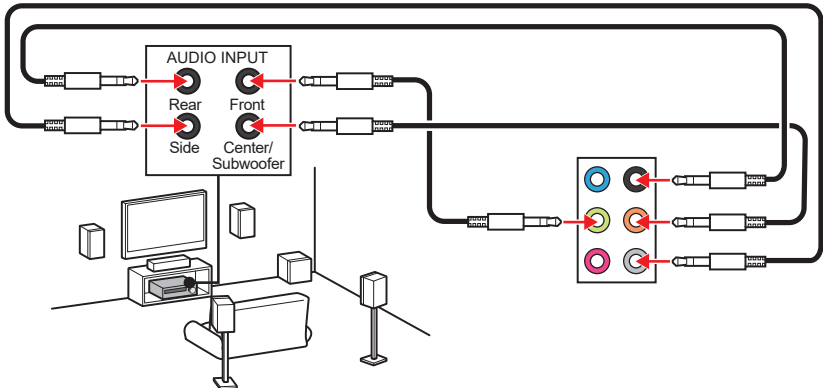
Подключение 4-канальной звуковой системы



Подключение звуковой системы 5.1

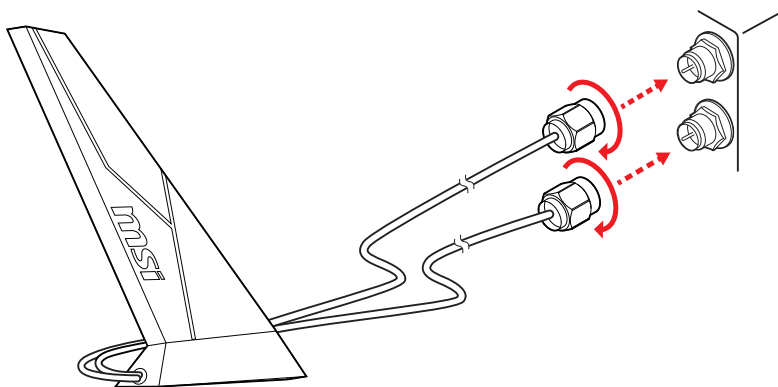


Подключение звуковой системы 7.1

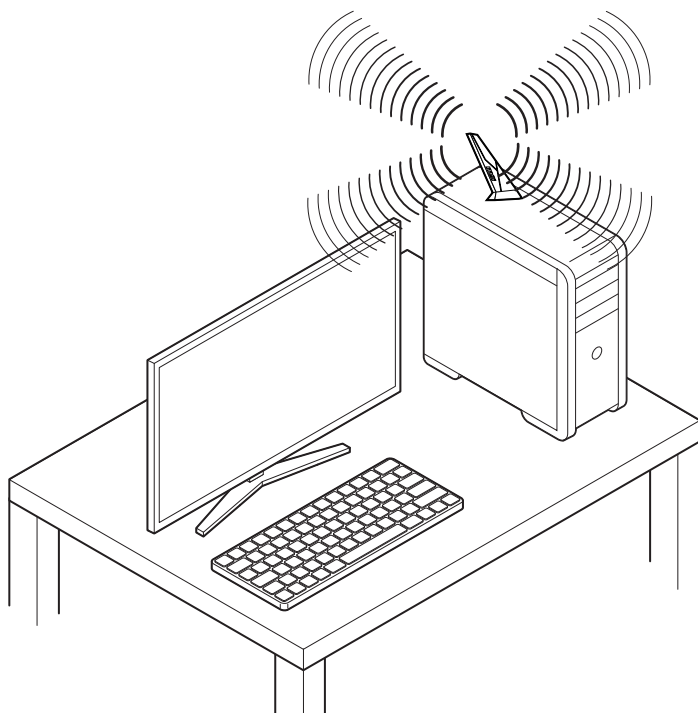


Установка антенн

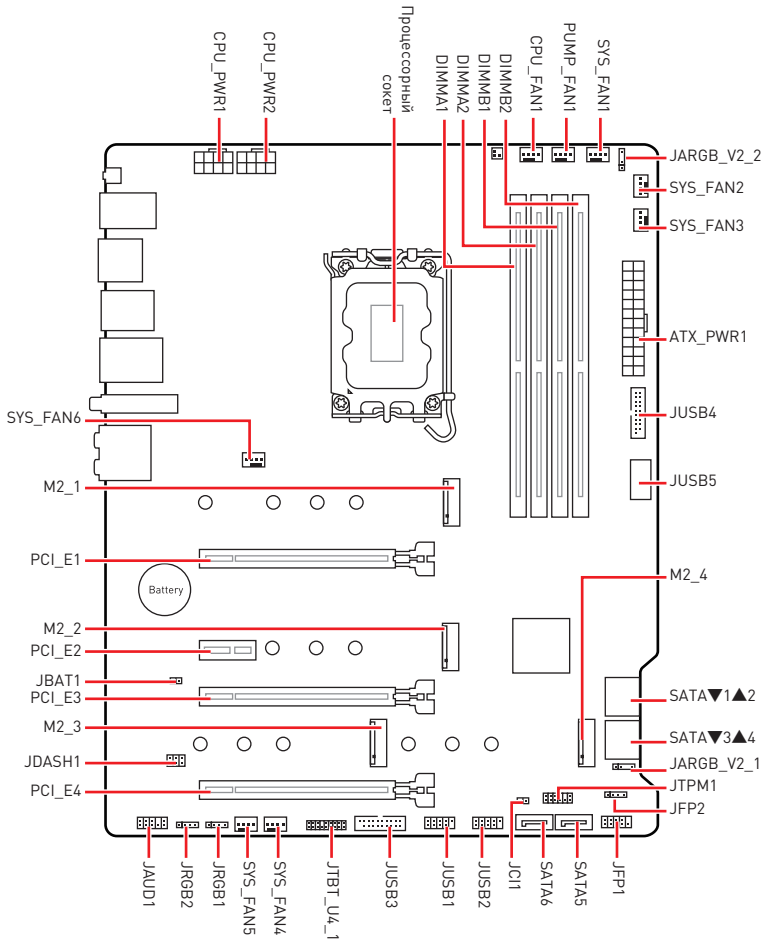
1. Прикрутите две антенны к разъемам антенны Wi-Fi, как показано на рисунке ниже.



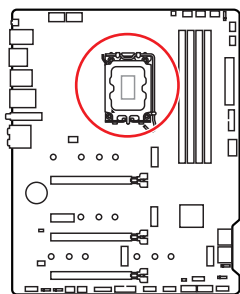
2. Поместите антенны как можно выше.



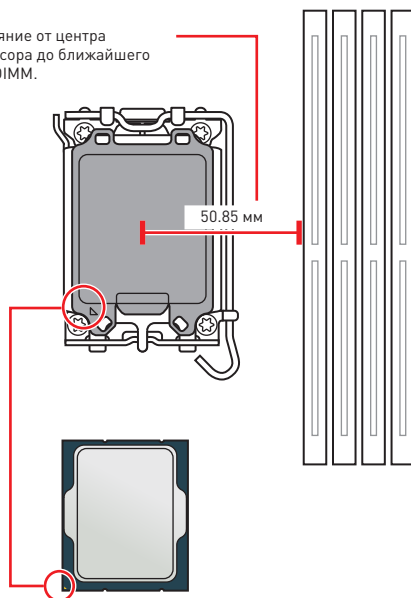
Компоненты материнской платы



Процессорный socket



Расстояние от центра процессора до ближайшего слота DIMM.



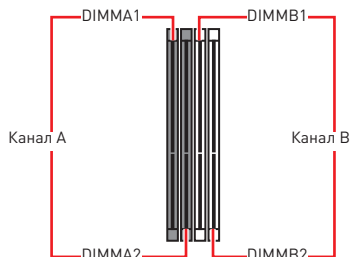
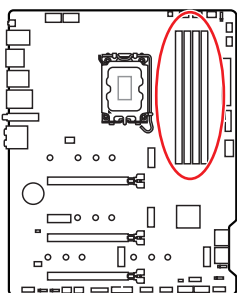
Процессор LGA1700

На поверхности процессора LGA1700 имеется четыре **выемки** и один **золотой треугольник** для правильной установки процессора относительно процессорного сокета материнской платы. Золотой треугольник указывает на контакт 1.

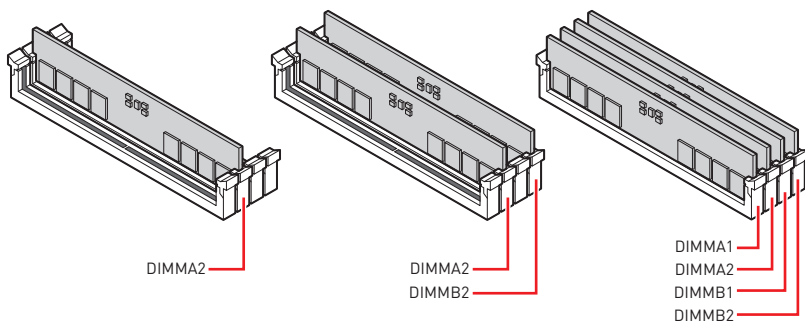
Внимание!

- Перед установкой или заменой процессора, необходимо отключить кабель питания.
- Пожалуйста, сохраните защитную крышку процессорного сокета после установки процессора. Любые возможные гарантийные случаи, связанные с работой материнской платы, MSI® будет рассматривать только, при наличии защитной крышки на процессорном сокете.
- При установке процессора обязательно установите процессорный кулер. Кулер, представляющий собой систему охлаждения процессора, предотвращает перегрев и обеспечивает стабильную работу системы.
- Перед включением системы проверьте герметичность соединения между процессором и радиатором.
- Перегрев может привести к серьезному повреждению процессора и материнской платы. Всегда проверяйте работоспособность вентилятора для защиты процессора от перегрева. При установке кулера нанесите ровный слой термопасты (или термоленту) на крышку установленного процессора для улучшения теплопередачи.
- Если процессор не установлен, всегда защищайте контакты процессорного сокета пластиковой крышкой.
- Если вы приобрели отдельно процессор и процессорный кулер, подробное описание установки см. в документации в данному кулеру.
- Данная системная плата разработана с учетом возможности ее «разгона». Перед выполнением разгона системы убедитесь в том, что все компоненты системы смогут его выдержать. Производитель не рекомендует использовать параметры, выходящие за пределы технических характеристик устройств. Гарантия MSI® не распространяется на повреждения и другие возможные последствия ненадлежащей эксплуатации оборудования.

Слоты DIMM



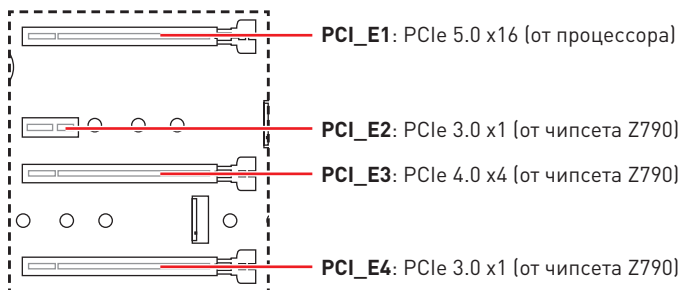
Рекомендации по установке модулей памяти



Внимание!

- Всегда устанавливайте модуль памяти сначала в слот **DIMMA2**.
- Для более стабильной работы системы в двухканальном режиме, модули памяти должны быть одинакового типа, количества и емкости.
- Некоторые модули памяти при разгоне могут работать на частотах ниже заявленной производителем, поскольку выставляемая для памяти частота зависит от информации, записанной в SPD (Serial Presence Detect). Зайдите в BIOS и выберите опцию **DRAM Frequency**, чтобы установить заявленную или более высокую частоту.
- При установке памяти во все слоты, а также при ее разгоне, рекомендуется использовать более эффективную систему охлаждения памяти.
- Совместимость и стабильность работы установленных модулей памяти при разгоне зависит от установленного процессора и других устройств.
- Пожалуйста, обратитесь www.msi.com для получения дополнительной информации о совместимых модулях памяти.

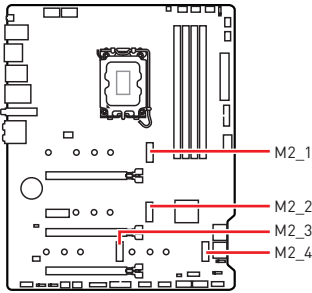
PCI_E1~4: Слоты расширения PCIe



Внимание!

- При установке массивной видеокарты, необходимо использовать такой инструмент, как **MSI Graphics Card Bolster** для поддержки веса графической карты и во избежание деформации слота.
- Для установки одной карты расширения PCIe x16 с оптимальной производительностью рекомендуется использовать слот **PCI_E1**.
- Перед установкой или извлечением плат расширения убедитесь, что кабель питания отключен от электрической сети. Прочтите документацию на карту расширения и выполните необходимые дополнительные аппаратные или программные изменения для данной карты.

M2_1~4: Разъемы M.2 (Ключ M)

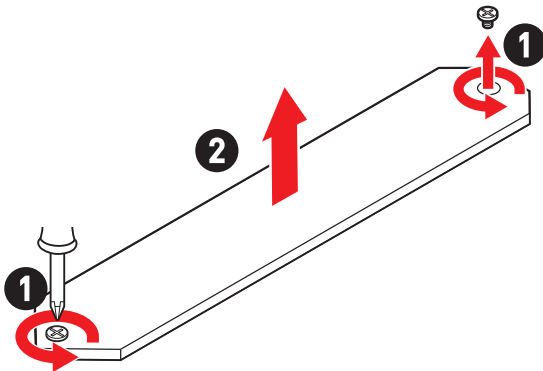


Внимание!

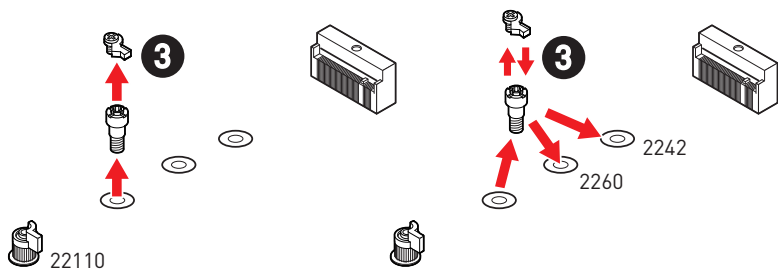
- Технология Intel® RST только поддерживает PCIe M.2 SSD с UEFI ROM.
- В случае, если M.2 SSD оснащен собственным радиатором, удалите резиновый кубик в разъеме M.2, затем установите M.2 SSD. Не устанавливайте дополнительный радиатор, поставляемый с материнской платой.

Установка модуля M.2 в разъем M2_1

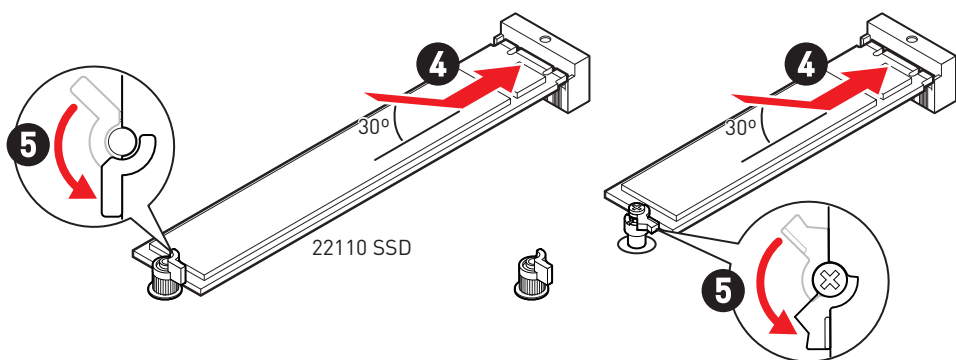
1. Удалите винты для радиатора M.2 Shield Frozr.
2. Приподнимите радиатор M.2 Shield Frozr и снимите его.



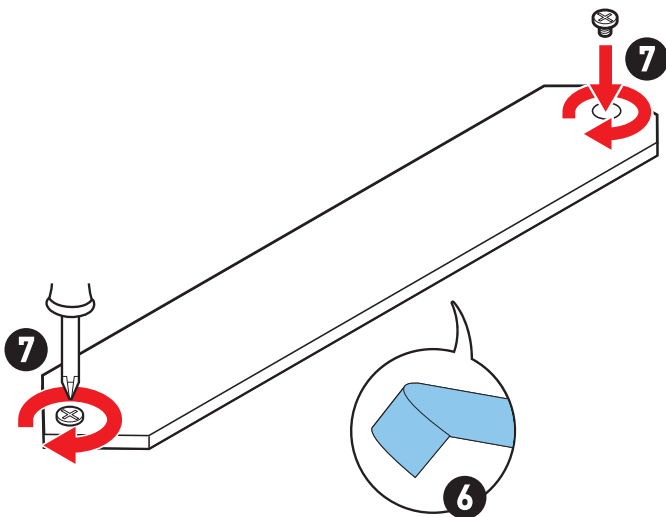
- Удалите или замените винты в соответствии с длиной твердотельного накопителя. Пропустите этот шаг при установке 2280 SSD.



- Вставьте M.2 SSD в разъем M.2 под углом 30 градусов.
- Поверните зажим EZ M.2, чтобы зафиксировать M.2 SSD.

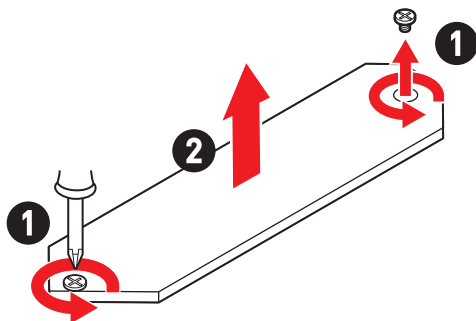


6. Снимите защитную пленку с термоинтерфейса под радиатором M.2 Shield Frozr.
7. Установите на место радиатор M.2 Shield Frozr и закрепите его.

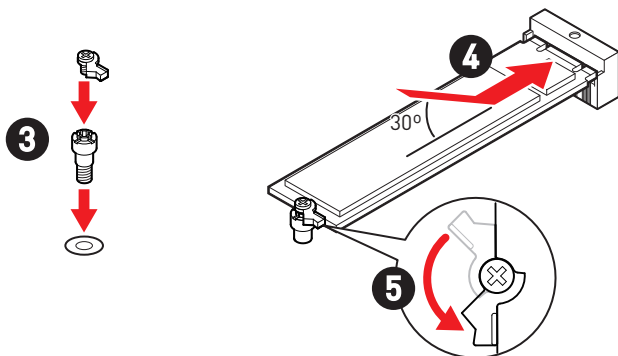


Установка модуля M.2 в разъем M2_2

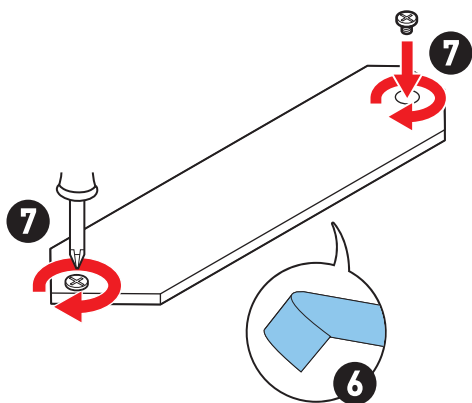
1. Удалите винты для радиатора M.2 Shield Frozr.
2. Приподнимите радиатор M.2 Shield Frozr и снимите его.



3. Установите поставляемый зажим EZ M.2 в соответствии с длиной SSD. Пропустите этот шаг при установке 2280 SSD.
4. Вставьте M.2 SSD в разъем M.2 под углом 30 градусов.
5. Поверните зажим EZ M.2, чтобы зафиксировать M.2 SSD. Пропустите этот шаг при установке 2280 SSD.

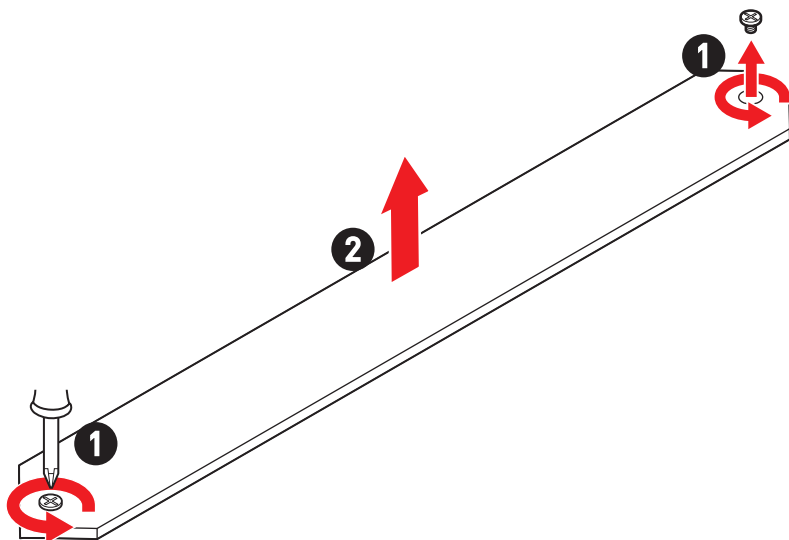


6. Снимите защитную пленку с термоинтерфейса под радиатором M.2 Shield Frozr.
7. Установите на место радиатор M.2 Shield Frozr и закрепите его.

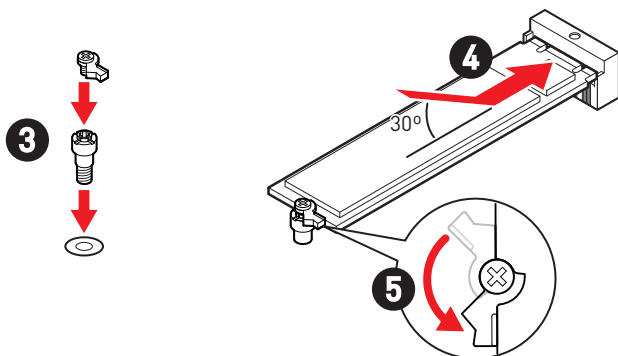


Установка модуля M.2 в разъем M2_3

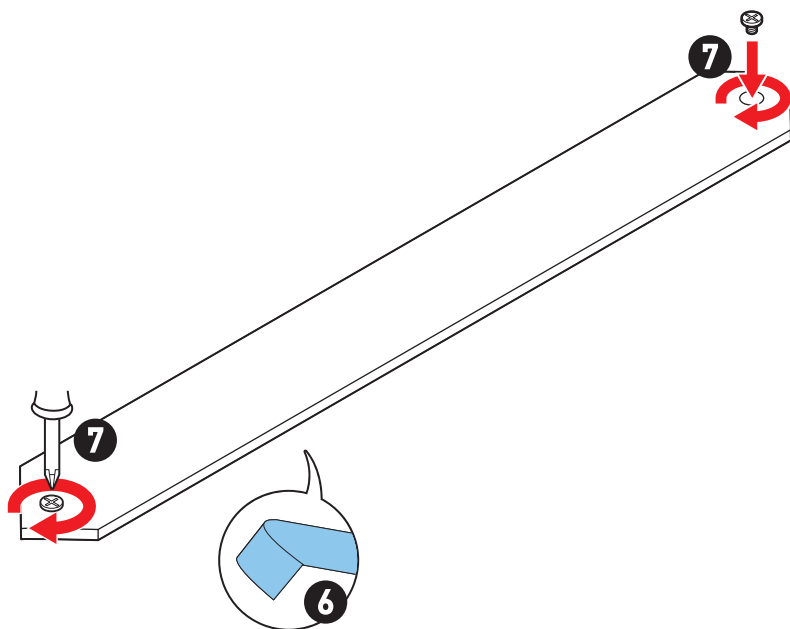
1. Удалите винты для радиатора M.2 Shield Frozr.
2. Приподнимите радиатор M.2 Shield Frozr и снимите его.



3. Установите поставляемый зажим EZ M.2 в соответствии с длиной SSD. Пропустите этот шаг при установке 2280 SSD.
4. Вставьте M.2 SSD в разъем M.2 под углом 30 градусов.
5. Поверните зажим EZ M.2, чтобы зафиксировать M.2 SSD.

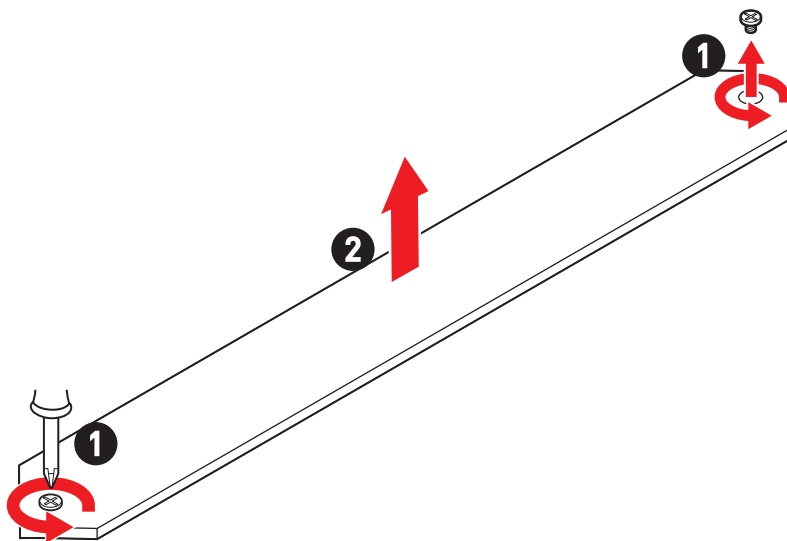


6. Снимите защитную пленку с термоинтерфейса под радиатором M.2 Shield Frozr.
7. Установите на место радиатор M.2 Shield Frozr и закрепите его.

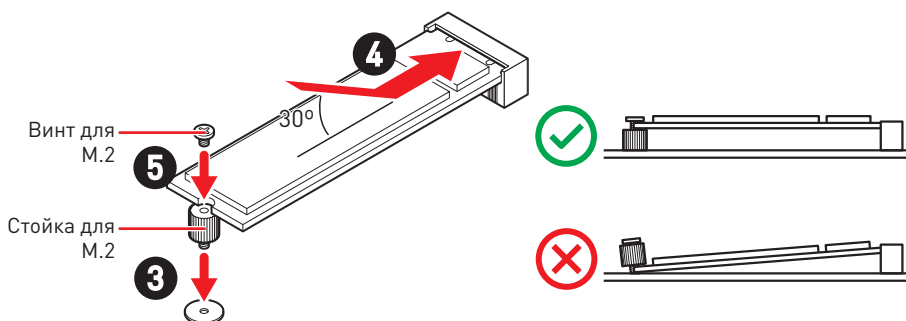


Установка модуля M.2 в разъем M2_4

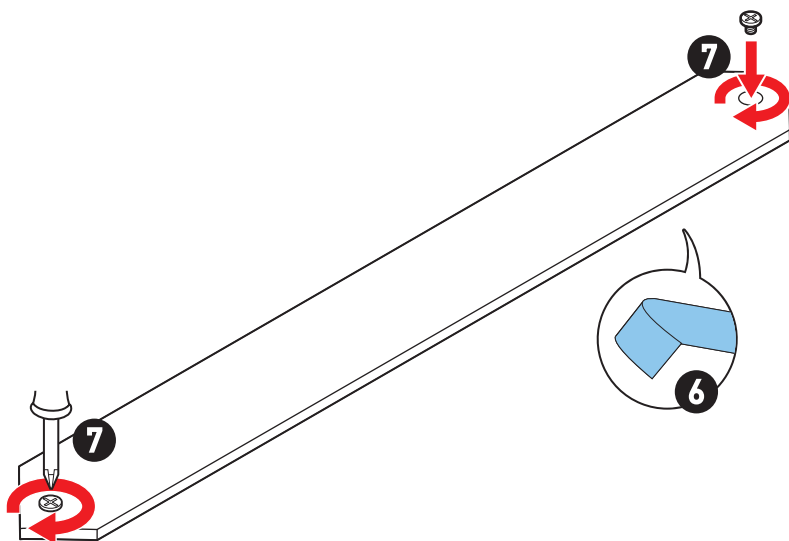
1. Удалите винты для радиатора M.2 Shield Frozr.
2. Приподнимите радиатор M.2 Shield Frozr и снимите его.



3. Установите поставляемую стойку M.2 в соответствии с длиной SSD.
4. Вставьте M.2 SSD в разъем M.2 под углом 30 градусов.
5. Закрепите M.2 SSD с помощью прилагаемого винта для M.2.

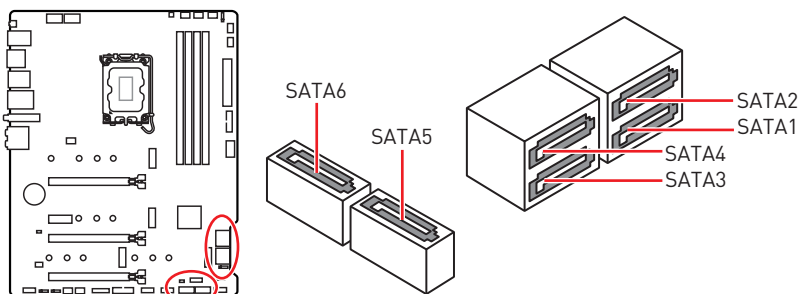


6. Снимите защитную пленку с термоинтерфейса под радиатором M.2 Shield Frozr.
7. Установите на место радиатор M.2 Shield Frozr и закрепите его.



SATA1~6: Разъемы SATA 6Гбит/с

Эти разъемы представляют собой интерфейсные порты SATA 6Гбит/с. К каждому порту можно подключить одно устройство SATA.

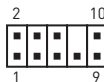
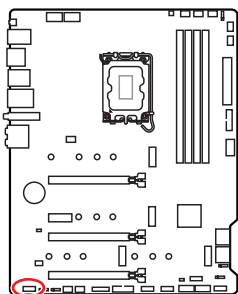


Внимание!

- Избегайте перегибов кабеля SATA под прямым углом. В противном случае, возможна потеря данных при передаче.
- Кабели SATA оснащены одинаковыми коннекторами с обеих сторон. Однако, для экономии занимаемого пространства к материнской плате рекомендуется подключать плоский разъем.

JAUD1: Разъем аудио передней панели

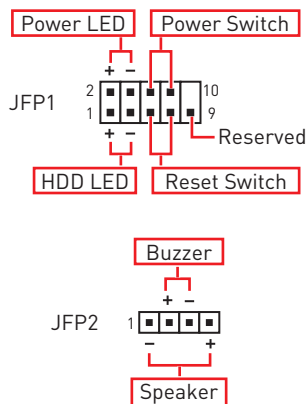
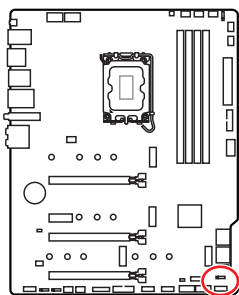
Данный разъем предназначен для подключения аудиоразъемов передней панели.



Контакт	Название сигнала	Контакт	Название сигнала
1	MIC L	2	Ground
3	MIC R	4	NC
5	Head Phone R	6	MIC Detection
7	SENSE_SEND	8	No Pin
9	Head Phone L	10	Head Phone Detection

JFP1, JFP2: Разъемы передней панели

Разъем JFP1 управляет включением питания, перезагрузкой и индикаторами на корпусе ПК. Коннекторы Power Switch/ Reset Switch используются для подключения кнопки питания / кнопки перезагрузки. Коннектор Power LED используется для подключения индикатора на корпусе ПК. Коннектор HDD LED для подключения индикатора, который указывает на активность жесткого диска. Разъем JFP2 предназначен для подключения зуммера и динамика. Чтобы подключить кабели от корпуса ПК к контактам, следуйте указаниям на рисунках ниже.

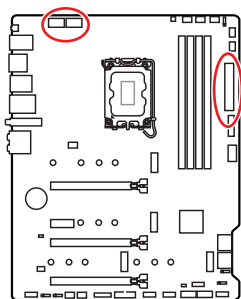


Внимание!

Обратите внимание, что для коннектора Power LED и HDD LED есть положительные (+) и отрицательные (-) контакты. Необходимо подключить кабели к соответствующему положительному и отрицательному контактам на материнской плате. В противном случае индикаторы не будут работать должным образом.

CPU_PWR1~2, ATX_PWR1: Разъемы питания

Данные разъемы предназначены для подключения блока питания ATX.

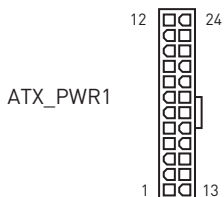
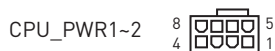


CPU_PWR1~2

Контакт	Название сигнала	Контакт	Название сигнала
1	Ground	2	Ground
3	Ground	4	Ground
5	+12V	6	+12V
7	+12V	8	+12V

ATX_PWR1

Контакт	Название сигнала	Контакт	Название сигнала
1	+3.3V	2	+3.3V
3	Ground	4	+5V
5	Ground	6	+5V
7	Ground	8	PWR OK
9	5VSB	10	+12V
11	+12V	12	+3.3V
13	+3.3V	14	-12V
15	Ground	16	PS-ON#
17	Ground	18	Ground
19	Ground	20	Res
21	+5V	22	+5V
23	+5V	24	Ground

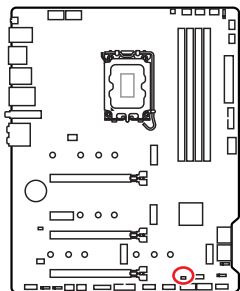


Внимание!

Для обеспечения стабильной работы системной платы проверьте надежность подключения всех кабелей питания к блоку питания ATX.

JCI1: Разъем датчика открытия корпуса

К этому разъему подключается кабель от датчика открытия корпуса.



Нормально
(По умолчанию)



Разрешить запись по
событию открытия корпуса

Использование датчика открытия корпуса

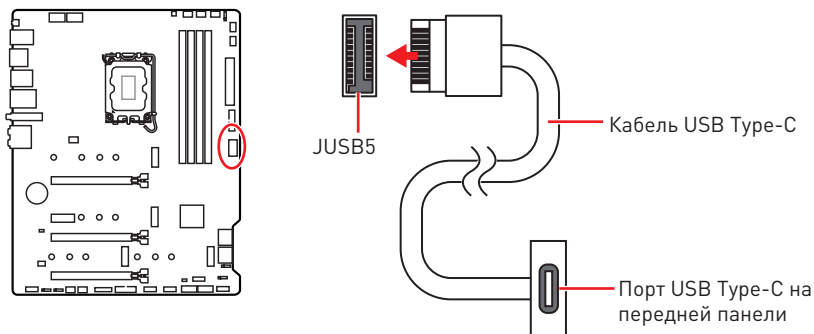
1. Подключите датчик открытия корпуса к разъему **JCI1**.
2. Закройте крышку корпуса.
3. Войдите в **BIOS > SETTINGS > Security > Chassis Intrusion Configuration**.
4. Установите **Chassis Intrusion** в **Enabled**.
5. Нажмите клавишу **F10**, чтобы сохранить настройки и выйти, а затем нажмите клавишу **Enter**, чтобы выбрать **Yes**.
6. При открытии корпуса на экране будет появляться предупреждающее сообщение каждый раз при включении компьютера.

Сброс сообщения об открытии корпуса

1. Войдите в **BIOS > SETTINGS > Security > Chassis Intrusion Configuration**.
2. Выберите **Chassis Intrusion, Reset**.
3. Нажмите клавишу **F10**, чтобы сохранить настройки и выйти, а затем нажмите клавишу **Enter**, чтобы выбрать **Yes**.

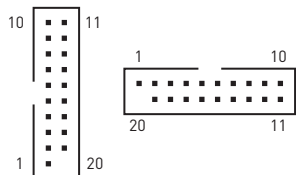
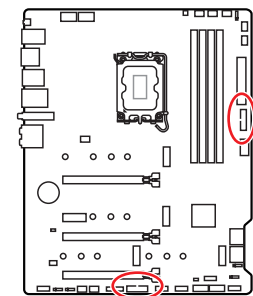
JUSB5: Разъем USB 3.2 Gen 2 Type-C на передней панели

Данный разъем предназначен для подключения порта 3.2 Gen 2 10Гбит/с Type-C на передней панели. Данные коннекторы имеют защиту от неправильного подключения. При подключении кабеля убедитесь, что коннектор сориентирован правильно относительно разъема.



JUSB3~4: Разъемы USB 3.2 Gen 1

Данные разъемы предназначены для подключения портов USB 3.2 Gen 1 5Гбит/с на передней панели.



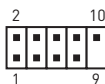
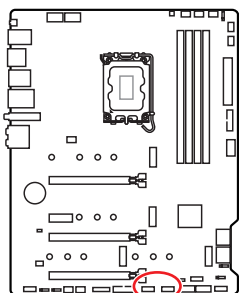
Контакт	Название сигнала	Контакт	Название сигнала
1	Power	2	USB3_RX_DN
3	USB3_RX_DP	4	Ground
5	USB3_TX_C_DN	6	USB3_TX_C_DP
7	Ground	8	USB2.0-
9	USB2.0+	10	Ground
11	USB2.0+	12	USB2.0-
13	Ground	14	USB3_TX_C_DP
15	USB3_TX_C_DN	16	Ground
17	USB3_RX_DP	18	USB3_RX_DN
19	Power	20	No Pin

Внимание!

Помните, что во избежание повреждений, необходимо правильно подключать контакты питания и земли.

JUSB1~2: Разъемы USB 2.0

Данные разъемы предназначены для подключения портов USB 2.0 на передней панели.



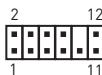
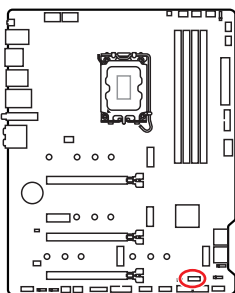
Контакт	Название сигнала	Контакт	Название сигнала
1	VCC	2	VCC
3	USB0-	4	USB1-
5	USB0+	6	USB1+
7	Ground	8	Ground
9	No Pin	10	NC

Внимание!

- Помните, что во избежание повреждений, необходимо правильно подключать контакты VCC и земли.
- Для того, чтобы зарядить ваш iPad, iPhone и iPod через порты USB, пожалуйста, установите утилиту MSI Center.

JTPM1: Разъем модуля TPM

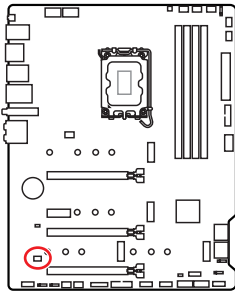
Данный разъем используется для подключения модуля TPM (Trusted Platform Module). Дополнительные сведения см. в описании модуля TPM.



Контакт	Название сигнала	Контакт	Название сигнала
1	SPI Power	2	SPI Chip Select
3	Master In Slave Out (SPI Data)	4	Master Out Slave In (SPI Data)
5	Reserved	6	SPI Clock
7	Ground	8	SPI Reset
9	Reserved	10	No Pin
11	Reserved	12	Interrupt Request

JDASH1: Разъем контроллера настройки

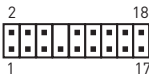
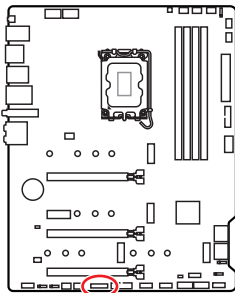
Данный разъем предназначен для подключения модуля контроллера настройки (опционально).



Контакт	Название сигнала	Контакт	Название сигнала
1	No Pin	2	NC
3	MCU_SMB_SCL_M	4	MCU_SMB_SDA_M
5	VCC5	6	Ground

JTBT_U4_1: Разъем USB4 для подключения карты расширения

Данный разъем предназначен для подключения карты расширения MSI USB4 PD100W.



Контакт	Название сигнала	Контакт	Название сигнала
1	TBT_Force_PWR	2	TBT_S0IX_Entry_REQ
3	TBT_CIO_Plug_Event#	4	TBT_S0IX_Entry_ACK
5	SLP_S3#_TBT	6	TBT_PSON_Override_N
7	SLP_S5#_TBT	8	Net Name
9	Ground	10	SMBCLK_VSB
11	DG_PEWake	12	SMBDATA_VSB
13	TBT_RTD3_PWR_EN	14	Ground
15	TBT_Card_DET_R#	16	PD_IRQ#
17	GPP_C22	18	GPP_E3

CPU_FAN1, PUMP_FAN1, SYS_FAN1~6: Разъемы вентиляторов

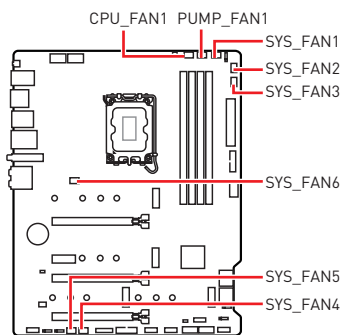
Разъемы вентиляторов можно разделить на два типа: с PWM (PulseWidth Modulation) управлением и управлением постоянным током. Разъемы вентиляторов с PWM управлением имеют контакт с постоянным напряжением 12В, а также контакт с сигналом управления скоростью вращения. Управление скоростью вращения вентиляторов с управлением постоянным током, осуществляется через соответствующие разъемы путем изменения величины напряжения. Разъемы автоматического определения автоматически определяют режим работы вентиляторов: PWM или DC.

В меню **BIOS > HARDWARE MONITOR** вы можете настроить вращения вентиляторов. Доступно два режима управления: DC или PWM. При выборе «**Smart Fan Mode**» скорость вращения вентилятора будет изменяться в зависимости от температуры процессора или системы. В противном случае вентилятор будет вращаться на максимальной скорости.



Внимание!

Убедитесь, что вентиляторы работают правильно после выбора режима PWM/ DC.



Назначение контактов разъема для режима PWM

Контакт	Название сигнала	Контакт	Название сигнала
1	Ground	2	+12V
3	Sense	4	Speed Control Signal

Назначение контактов разъема для режима DC

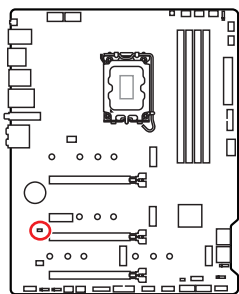
Контакт	Название сигнала	Контакт	Название сигнала
1	Ground	2	Voltage Control
3	Sense	4	NC

Технические характеристики разъема вентиляторов

Разъем	Режим по умолчанию	Макс. ток	Макс. мощность
CPU_FAN1	Режим автоматического определения	2A	24Вт
PUMP_FAN1	Режим PWM	3A	36Вт
SYS_FAN1~6	Режим DC	1A	12Вт

JBAT1: Джемпер очистки данных CMOS (Сброс BIOS)

На плате установлена CMOS память с питанием от батарейки для хранения данных о конфигурации системы. Для сброса конфигурации системы (очистки данных CMOS памяти), воспользуйтесь этим джемпером.



Сохранение данных
(По умолчанию)



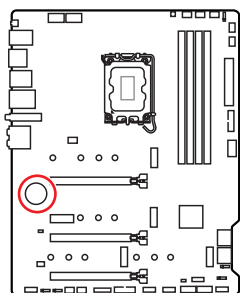
Очистка данных/
Сброс BIOS

Сброс настроек BIOS до значений по умолчанию

1. Выключите компьютер и отключите шнур питания.
2. Используйте джемпер, чтобы замкнуть соответствующие контакты **JBAT1** в течение 5-10 секунд.
3. Снимите джемпер с контактов **JBAT1**.
4. Подключите шнур питания и включите компьютер.

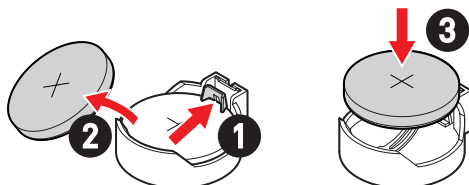
ВАТ1: Батарейка CMOS

Если батарейка CMOS разрядится, время в BIOS будет сброшено, а данные конфигурации системы будут потеряны. В этом случае необходимо заменить батарейку CMOS.



Замена батарейки CMOS

1. Нажмите на фиксатор, чтобы освободить батарейку.
2. Извлеките батарейку из гнезда.
3. Установите новую батарейку CR2032 знаком «+» вверх. Убедитесь, что фиксатор надежно удерживает батарейку в гнезде.



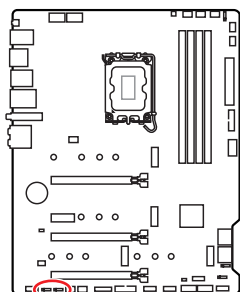
Предупреждение

Храните в недоступном для детей месте

- Проглатывание батарейки может привести к ожогам, перфорации мягких тканей и смерти.
- Сильные ожоги могут возникать в течение 2 часов после проглатывания.
- Если вы считаете, что батарейки могли быть проглочены или помещены в любую часть тела, немедленно обратитесь за медицинской помощью.

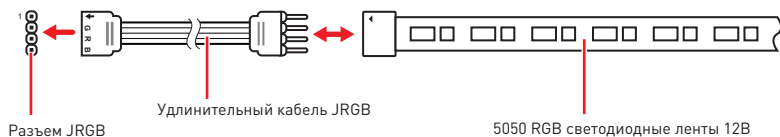
JRGB1~2: Разъемы RGB LED

Разъемы JRGB предназначены для подключения 5050 RGB светодиодных лент 12В.

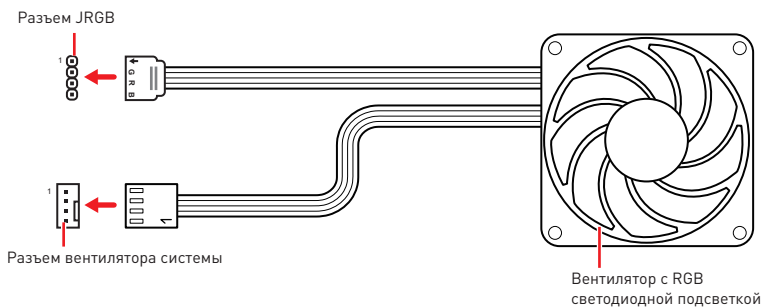


Контакт	Название сигнала	Контакт	Название сигнала
1	+12V	2	G
3	R	4	B

Подключение RGB светодиодных лент



Подключение вентиляторов с RGB светодиодной подсветкой

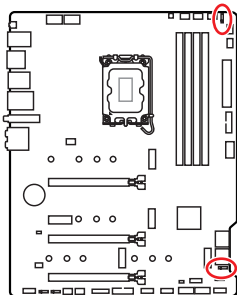


Внимание!

- Разъем JRGB поддерживает подключение 5050 RGB непрерывных светодиодных лент (12В/G/R/B) длиной до 2 метров с максимальной мощностью 3А (12В).
- Перед установкой или заменой светодиодных лент RGB, необходимо полностью обесточить систему и отключить кабель питания.
- Используйте утилиту MSI для управления удлинительными светодиодными лентами.

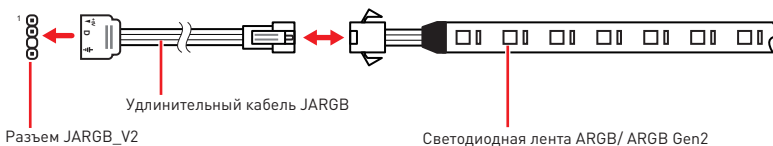
JARGB_V2_1~2: Разъемы A-RAINBOW V2 (ARGB Gen2) LED

Разъемы JARGB_V2 предназначены для подключения светодиодных лент ARGB Gen2 и ARGB. Разъем JARGB_V2 поддерживает подключение RGB светодиодных лент с индивидуальной адресацией с максимальной мощностью 3А (5В), и максимальное количество светодиодов составляет 240.

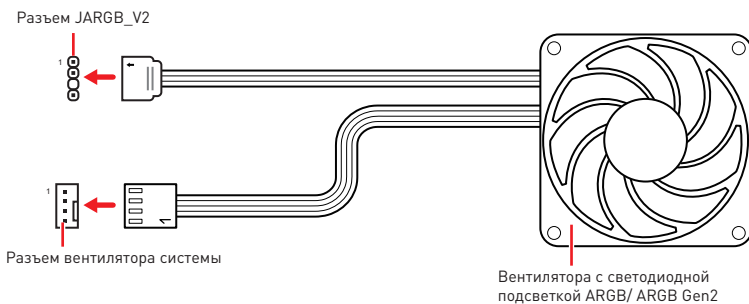


Контакт	Название сигнала	Контакт	Название сигнала
1	+5V	2	Data
3	No Pin	4	Ground

Подключение адресных RGB светодиодных лент



Подключение вентиляторов с адресной RGB светодиодной подсветкой



ВНИМАНИЕ!

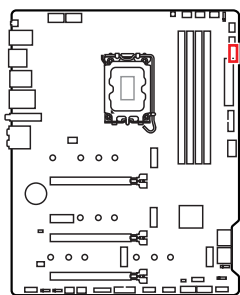
Не подключайте несовместимые с материнской платой светодиодные ленты. Разъем JRGB и разъем JARGB_V2 имеют разное напряжение, и подключение светодиодных лент ARGB 5V LED к разъему JRGB приведет к их повреждению.





Внимание!

- Рекомендуется подключать светодиодные ленты с одинаковыми техническими характеристиками для достижения наилучшего эффекта.
- Перед установкой или заменой адресных светодиодных лент RGB, необходимо полностью обесточить систему и отключить кабель питания.
- Используйте утилиту MSI для управления удлинительными светодиодными лентами.

Индикаторы отладки EZ

Данные светодиоды показывают состояния отладки материнской платы.



Цвет индикатора	Состояние
Красный 	Процессор не обнаружен или поврежден.
Желтый 	Память не обнаружена или повреждена.
Белый 	Видеокарта не обнаружена или повреждена.
Зеленый 	Загрузочное устройство не обнаружено или повреждено.

Установка ОС, драйверов и MSI Center

Скачайте и обновите последние утилиты и драйверы с сайта: www.msi.com

Установка Windows 10/ Windows 11

1. Включите компьютер.
2. Вставьте диск Windows 10/ Windows 11 в привод для оптических дисков или вставьте в разъем USB компьютера USB флэш-диск, содержащий установочный файл.
3. Нажмите кнопку **Restart** на корпусе компьютера.
4. Нажмите клавишу **F11** во время POST (Power-On Self Test) компьютера, чтобы войти в меню загрузки.
5. Выберите оптический привод / USB флэш-диск в меню загрузки.
6. Нажмите любую клавишу, когда на экране показывает сообщение **Press any key to boot from CD or DVD...** Если нет, пропустите этот шаг.
7. Следуйте инструкциям на экране, чтобы установить Windows 10/ Windows 11.

Установка драйверов с помощью диска MSI® Driver DVD

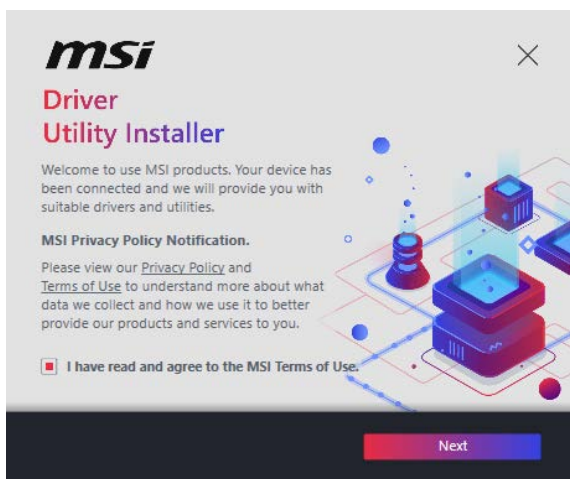
1. Загрузите компьютер в Windows 10/ Windows 11.
2. Вставьте диск MSI® Driver DVD в привод для оптических дисков.
3. Нажмите всплывающее окно **Select to choose what happens with this disc** и выберите **Run DVDSetup.exe**, чтобы открыть окно установщика. Если функция автозапуска в Панели управления Windows выключена, вы также можете вручную запустить файл **DVDSetup.exe** из корневой папки диска MSI Driver DVD.
4. Окно установщика найдет и перечислит все необходимые драйверы во вкладке **Drivers/Software**.
5. Нажмите кнопку **Install** в правом нижнем углу окна установщика.
6. Начнется установка драйверов. После ее завершения будет предложено перезапустить систему.
7. Нажмите кнопку **OK** для завершения.
8. Перезапустите компьютер.

Установка драйверов с помощью MSI Driver Utility Installer



Внимание!

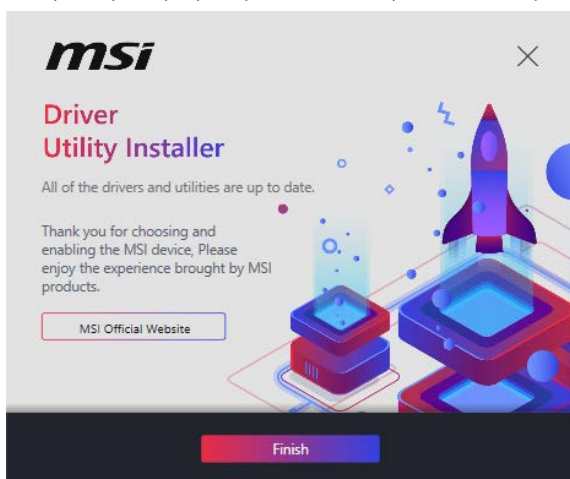
- Windows 10/ Windows 11 не поддерживает некоторые новые сетевые контроллеры. Рекомендуется установить драйвер LAN перед установкой драйверов с помощью MSI Driver Utility Installer. Для установки драйвера LAN для вашей материнской платы см. www.msi.com.
 - Окно MSI Driver Utility Installer появится только один раз. Если вы отмените или закроете его в процессе установки, обратитесь к разделу «Live Update» в руководстве MSI Center, чтобы установить драйверы. Вы также можете посетить www.msi.com, чтобы найти модель вашей материнской платы и скачать драйверы.
 - MSI Driver Utility Installer необходимо установить через Интернет.
1. Загрузите компьютер в Windows 10/ Windows 11.
 2. Выберите «Пуск > Параметры > Центр обновления Windows > Проверить наличие обновлений».
 3. Окно MSI Driver Utility Installer появится автоматически.



4. Выберите «I have read and agree to the MSI Terms of Use» и нажмите **Next**.



5. Выберите «**Select All**» в левом нижнем углу и нажмите **Install**, чтобы установить MSI Center и драйверы. Прогресс установки отображается внизу.



6. После завершения процесса установки нажмите **Finish**.

MSI Center

Приложение MSI Center поможет легко оптимизировать настройки игры и беспрепятственно использовать программы для создания контента. С помощью MSI Center вы можете контролировать и синхронизировать эффекты светодиодной подсветки на ПК и других продуктах MSI, настраивать режимы работы, контролировать производительность системы и регулировать скорость вращения вентилятора.

Инструкции по использованию MSI Center



Для получения подробной информации о MSI Center, обратитесь к

<http://download.msi.com/manual/mb/MSICENTER.pdf>

или отсканируйте QR-код и откройте веб-сайт.



Внимание!

Функции могут меняться в зависимости от приобретенного вами продукта.

UEFI BIOS

MSI UEFI BIOS совместим с архитектурой UEFI (Unified Extensible Firmware Interface). Прошивка UEFI имеет множество новых функций и преимуществ, которые не поддерживаются традиционным BIOS. Она будет полностью заменять BIOS в будущем. Чтобы использовать полный функционал нового чипсета, режим загрузки по умолчанию для MSI UEFI BIOS является UEFI.



Внимание!

Термин BIOS в этом руководстве пользователя относится к UEFI BIOS, если не указано иное.

Преимущества UEFI

- Быстрая загрузка - Можно загружать операционную систему напрямую из UEFI без самопроверки BIOS. Не требуется переключение в режим CSM во время процедуры POST.
- Поддерживает разделы жесткого диска объемом более 2 ТБ.
- Поддерживает более 4 основных разделов с таблицей разделов GUID (GPT).
- Поддерживает неограниченное количество разделов.
- Поддерживает полный функционал новых устройств - Новые устройства могут не поддерживать обратную совместимость.
- Поддерживает запуск ОС в безопасном режиме - UEFI может проверить работоспособность операционной системы, чтобы убедиться, что вредоносные программы не влияют на процесс загрузки.

В следующих случаях система несовместима с архитектурой UEFI

- **32-битная ОС Windows** - Эта материнская плата поддерживает только Windows 10/ Windows 11 64-битную операционную систему.
- **Видеокарта устаревшего поколения** - Система определяет модель установленной видеокарты. При использовании видеокарты устаревшего поколения система отображает предупреждающее сообщение «**There is no GOP (Graphics Output protocol) support detected in this graphics card**».



Внимание!

Для нормальной работы системы рекомендуется заменить установленную видеокарту на видеокарту с поддержкой GOP/UEFI, или использовать процессор со встроенной графикой.

Как проверить режим BIOS?

1. Включите компьютер.
2. Нажмите клавишу **Delete**, когда появляется сообщение на экране **Press DEL key to enter Setup Menu, F11 to enter Boot Menu** во время загрузки.
3. Зайдите в BIOS и выберите **BIOS Mode** в верхней части экрана.

BIOS Mode: UEFI

Настройка BIOS

Настройки по умолчанию обеспечивают оптимальную производительность и стабильность системы при нормальных условиях. Если вы недостаточно хорошо знакомы с BIOS, **всегда устанавливайте настройки по умолчанию**. Это позволит избежать возможных повреждений системы, а также проблем с загрузкой.



Внимание!

- С целью улучшения производительности, меню BIOS постоянно обновляется. В связи с этим данное описание может немного отличаться от последней версии BIOS и может использоваться в качестве справки. Для описания какого-либо пункта меню настроек BIOS, вы можете обратиться к информационной панели **HELP**.
- Экраны, параметры и настройки BIOS могут меняться в зависимости от вашей системы.

Вход в настройки BIOS

Нажмите клавишу **Delete**, когда появляется сообщение на экране **Press DEL key to enter Setup Menu, F11 to enter Boot Menu** во время загрузки.

Функциональные клавиши

- F1:** Общая справка
 - F2:** Добавить / Удалить избранный предмет
 - F3:** Вход в меню Избранное
 - F4:** Вход в меню технических параметров процессора
 - F5:** Вход в меню Мемогу-Z
 - F6:** Загрузить оптимизированные настройки по умолчанию
 - F7:** Переключить между расширенным режимом и режимом EZ
 - F8:** Загрузить профиль разгона
 - F9:** Сохранить профиль разгона
 - F10:** Сохранить изменения и перезагрузить*
 - F12:** Сделать скриншот и сохранить его на USB флэш-диск (только FAT / FAT32 формат).
- Ctrl+F:** Вход в страницу поиска

* При нажатии клавиши F10 появится информационное окно. Выберите Yes или No, чтобы подтвердить выбор.

Инструкции по настройке BIOS



Для получения подробной информации о инструкциях по настройке BIOS, обратитесь к <http://download.msi.com/manual/mb/Intel700BIOSru.pdf> или отсканируйте QR-код и откройте веб-сайт.



Внимание!

Функции могут меняться в зависимости от приобретенного вами продукта.

Сброс BIOS

В некоторых ситуациях необходимо выполнить восстановление настроек BIOS до значений по умолчанию. Существует несколько способов сброса настроек:

- Войдите в BIOS и нажмите клавишу **F6** для загрузки оптимизированных значений по умолчанию.
- Замкните джампер **очистки данных CMOS** на материнской плате.



Внимание!

*Убедитесь, что компьютер выключен перед очисткой данных CMOS. Для получения дополнительной информации о сбросе настроек BIOS, обратитесь к разделу джампер **очистки данных CMOS**.*

Обновление BIOS

Обновление BIOS при помощи M-FLASH

Перед обновлением:

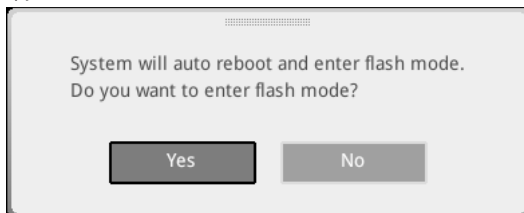
Пожалуйста, скачайте последнюю версию файла BIOS с сайта MSI, который соответствует вашей модели материнской платы. Сохраните файл BIOS на флэш-диске USB.

Обновление BIOS:

1. Переключитесь на рабочий модуль BIOS ROM с помощью переключателя Multi-BIOS. Пропустите этот шаг, если на материнской плате отсутствует этот переключатель.
2. Вставьте флэш-диск USB, содержащий файл обновления в порт USB на компьютере.
3. Для входа в режим обновления следуйте указаниям ниже.
 - Перезагрузите системы и нажмите клавиши **Ctrl+F5** во время процедуры POST, потом нажмите на кнопку **Yes** для перезагрузки системы.

Press <Ctrl+F5> to activate M-Flash for BIOS update.

- Перезагрузите системы и нажмите клавишу **Del** во время процедуры POST для входа в настройки BIOS. Выберите вкладку **M-FLASH** и нажмите на кнопку **Yes** для перезагрузки системы.



4. Выберите файл BIOS для выполнения процесса обновления BIOS.
5. При появлении окна с предложением нажмите на кнопку **Yes** для обновления BIOS.
6. После завершения процесса обновления, система перезагрузится автоматически.

Обновление BIOS при помощи MSI Center

Перед обновлением:

- Убедитесь, что драйвер локальной сети установлен и есть подключение к сети Интернет.
- Перед обновлением BIOS закройте все остальные приложения.

Обновление BIOS:

1. Установите и запустите MSI Center, и затем перейдите на страницу **Support**.
2. Выберите **Live Update** и нажмите кнопку **Advance**.
3. Выберите файл BIOS и нажмите кнопку **Install**.
4. Когда появится напоминание об установке, нажмите кнопку **Install**.
5. Система автоматически перезагрузится для обновления BIOS.
6. По завершению процесса обновления, система перезагрузится автоматически.

Обновление BIOS при помощи кнопки Flash BIOS

1. Пожалуйста, скачайте последнюю версию файла BIOS с сайта MSI®, который соответствует вашей модели материнской платы.
2. Переименуйте файл BIOS в MSI.ROM, затем сохраните его в корневую папку устройства USB
3. Подключите блок питания к **CPU_PWR1** и **ATX_PWR1**. (Никакие другие компоненты кроме блока питания не используются.)
4. Подключите устройство USB, содержащий файл MSI.ROM в **порт Flash BIOS** на задней панели портов ввода/ вывода.
5. Нажмите кнопку **Flash BIOS** для обновления BIOS и светодиод начинает мигать.
6. По завершению процесса обновления BIOS светодиод гаснет.

目次

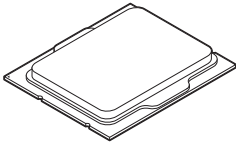
クイックスタート	3
仕様	15
MSI独自の機能	19
パッケージの内容	20
バックパネルコネクタ	21
LANポートLED状態表	22
オーディオジャックの接続	22
アンテナの取り付け	24
コンポーネントの概要	25
CPUソケット	26
DIMMスロット	27
PCI_E1~4: PCIe拡張スロット	28
M2_1~4: M.2スロット (Key M)	29
SATA1~6: SATA 6Gb/sコネクタ	38
JAUD1: フロントオーディオコネクタ	38
JFP1, JFP2: フロントパネルコネクタ	39
CPU_PWR1~2, ATX_PWR1: 電源コネクタ	40
JCI1: ケース開放スイッチコネクタ	41
JUSB5: USB 3.2 Gen 2 Type-Cフロントパネルコネクタ	42
JUSB3~4: USB 3.2 Gen 1コネクタ	42
JUSB1~2: USB 2.0コネクタ	43
JTPM1: TPMモジュールコネクタ	43
JDASH1 : チューニングコントローラーコネクタ	44
JTBT_U4_1: USB4拡張カードコネクタ	44
CPU_FAN1, PUMP_FAN1, SYS_FAN1~6: ファンコネクタ	45
JBAT1: クリアCMOS (BIOSリセット) ジャンパー	46
BAT1: CMOSバッテリー	47
JRGB1~2: RGB LEDコネクタ	48
JARGB_V2_1~2: A-RAINBOW V2 (ARGB Gen2) LEDコネクタ	49

EZ Debug LED.....	50
OS、ドライバーおよびMSI Centerのインストール.....	51
MSI Driver Utility Installerでのドライバーのインストール.....	52
UEFI BIOS.....	55
BIOSの設定.....	56
BIOSのリセット.....	57
BIOSのアップデート方法.....	57

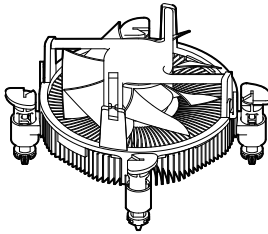
クイックスタート

この度はMSI®マザーボードをお買い上げいただき、誠にありがとうございます。このクイックスタートセクションにはコンピューターのインストール方法についてのデモンストレーションが表示されます。一部のインストールにはビデオデモンストレーションも提供されます。スマートフォンやタブレットのWebブラウザでURLにアクセスしてビデオをご覧ください。QRコードからアクセスすることもできます。

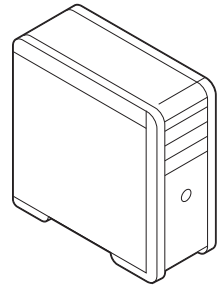
ツールおよびコンポーネントの準備



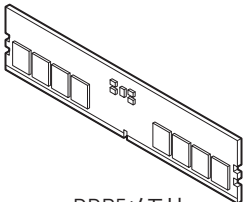
Intel® LGA1700 CPU



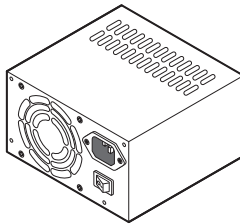
LGA1700 CPUファン



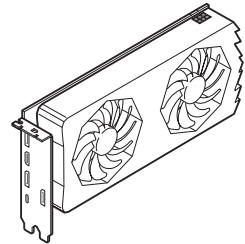
ケース



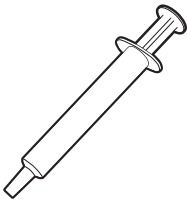
DDR5メモリ



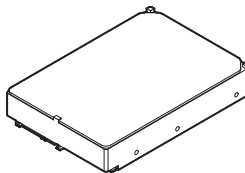
電源ユニット



グラフィックスカード



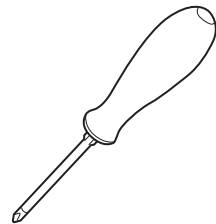
熱伝導性ペースト



SATAハードディスクドライブ



ねじセット



プラスドライバー

安全に関する注意事項

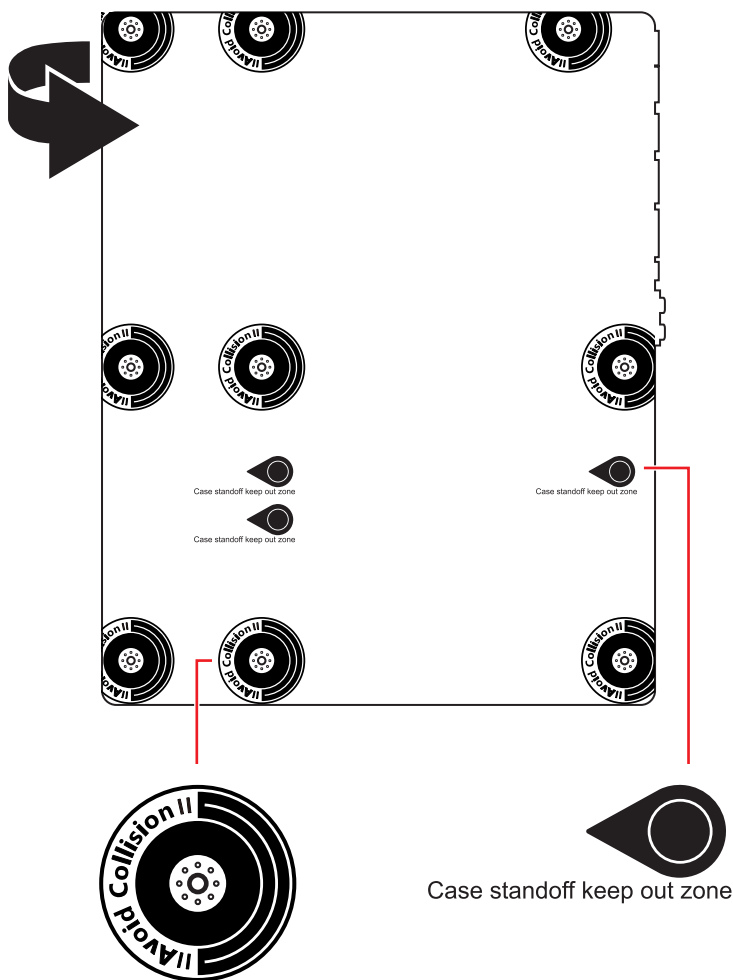
- 本パッケージ内のコンポーネントは静電放電(ESD)を受けやすいので、PCの組み立てを確実に成功させるために以下の注意事項を守ってください。
- コンポーネントがしっかりと全部接続されていることを確認してください。確実に接続されていない場合、コンポーネントの認識不良や起動不良の原因となります。
- 繊細な部品に触れないよう、マザーボードのフチを持ってください。
- マザーボードを扱う際には、静電気破壊を防ぐために、静電放電 (ESD) リストストラップを着けることをお勧めします。ESDリストストラップが用意できない場合は、他の金属製のものに触れて静電気を逃してからマザーボードを扱ってください。
- 本品を取り付けない時は、静電気対策が施された箱か、または静電気防止パッド上で保管してください。
- コンピューターの電源を投入する前に、マザーボードのショートの原因となる、外れたネジや金属製の部品がマザーボード上またはPCケース内にはいか、よく確認して下さい。
- コンポーネントの破損やユーザーの怪我の原因となるおそれがあるため、組み立てが完了する前にPCを起動させないでください。
- PCの組立について不明な点がある場合は、販売店やメーカーのサポート窓口にご相談してください。
- PCパーツの取り付けおよび取り外しを行う前には、必ずPCの電源をオフに、コンセントから電源コードを抜いてください。
- 本ユーザーズガイドは大切に保存してください。
- 本マザーボードは湿気の少ない所で使用・保管してください。
- 電源ユニットをコンセントに接続する前に、電源ユニットに記載された電圧がコンセントの電圧に適合しているか確認してください。
- 電源コードは踏まれることがないように配線してください。電源コードの上に物を置かないでください。
- マザーボードに関するすべての注意と警告を遵守してください。
- 次のような場合は、販売店や代理店のサポート窓口にもマザーボードの点検を依頼してください。
 - PCに水をこぼした場合。
 - マザーボードが高い湿気にさらされた場合。
 - ユーザーズマニュアルに従って操作しても、マザーボードが正常に作動しない、または起動しない場合。
 - マザーボードが落ちて破損した場合。
 - マザーボードに目に見える破損がある場合。
- 本品を温度が60°C (1400F)より高い場所に置かないでください。マザーボードが破損することがあります。

ケーススタンドオフの注意事項

マザーボードに損害を防ぐために、マザーボードの回路とPCケースの間に必要のない取り付けスタンドオフを取り付けないでください。使用者に注意するために、「Case standoff keep out zone」の標示(下図のように)がマザーボードの背面に付きます。

衝突回避の注意事項

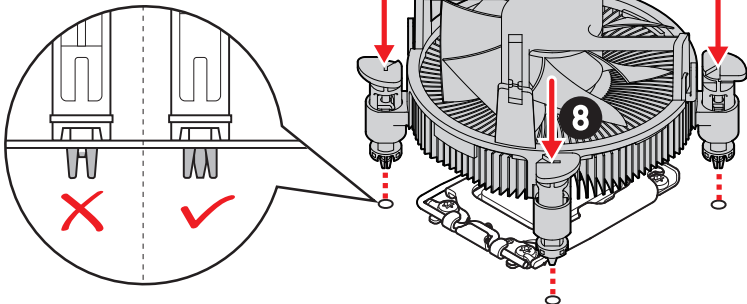
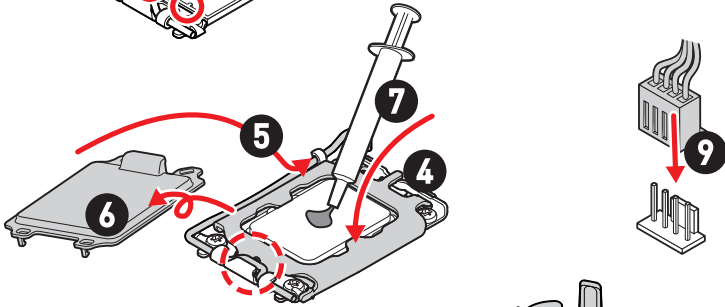
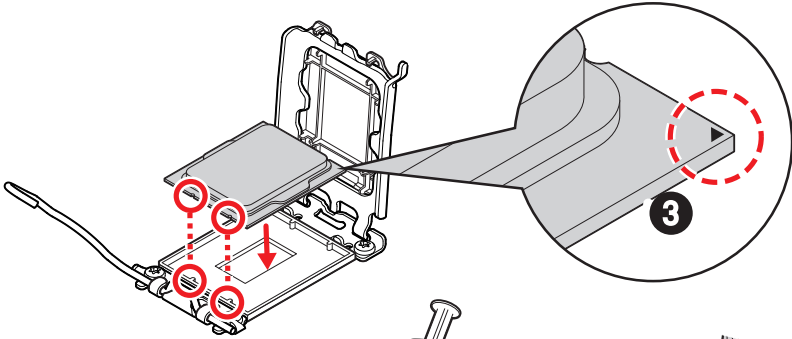
部品を傷つけないように、各ネジの周りには保護ペイントがあります。



プロセッサの取り付け



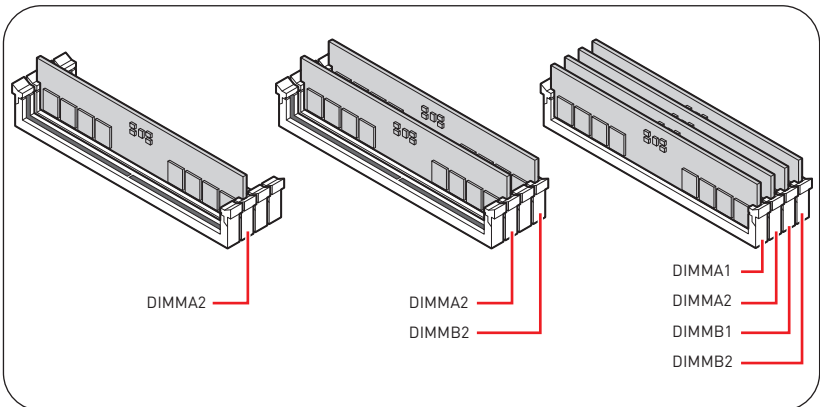
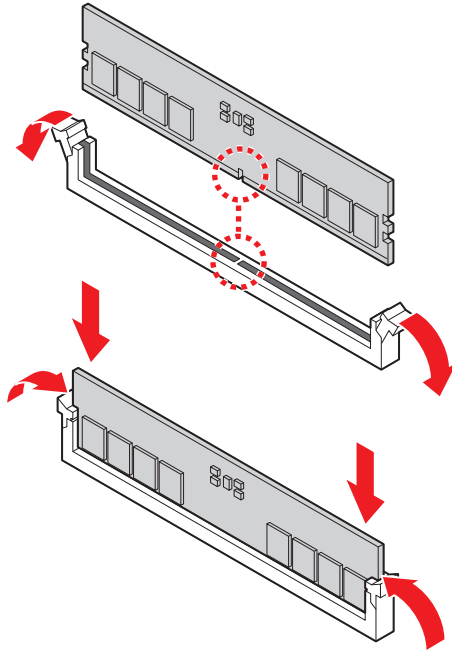
• <https://youtu.be/KMf9oIDsGes>



DDR5メモリの取り付け



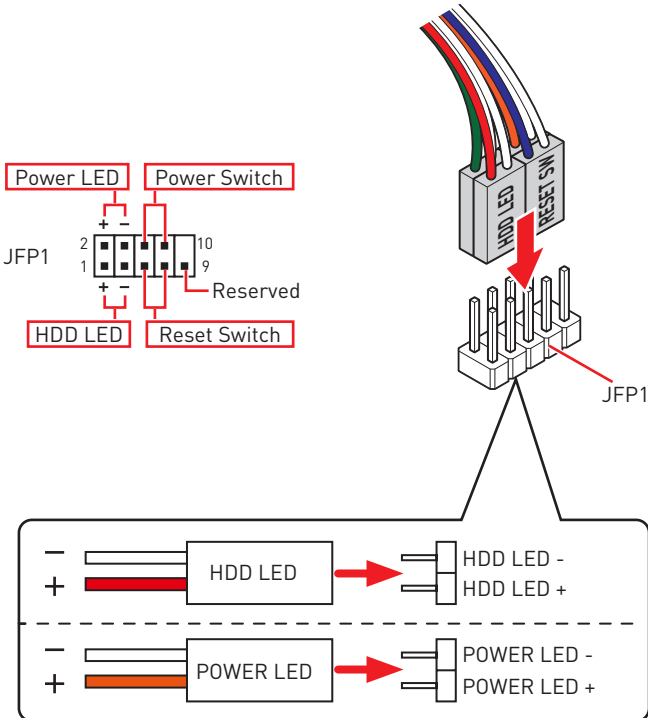
• <https://youtu.be/XiNmKDNZcZk>



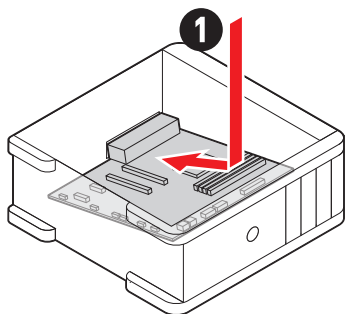
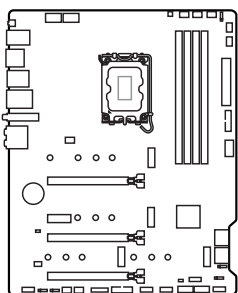
フロントパネルヘッダーの接続



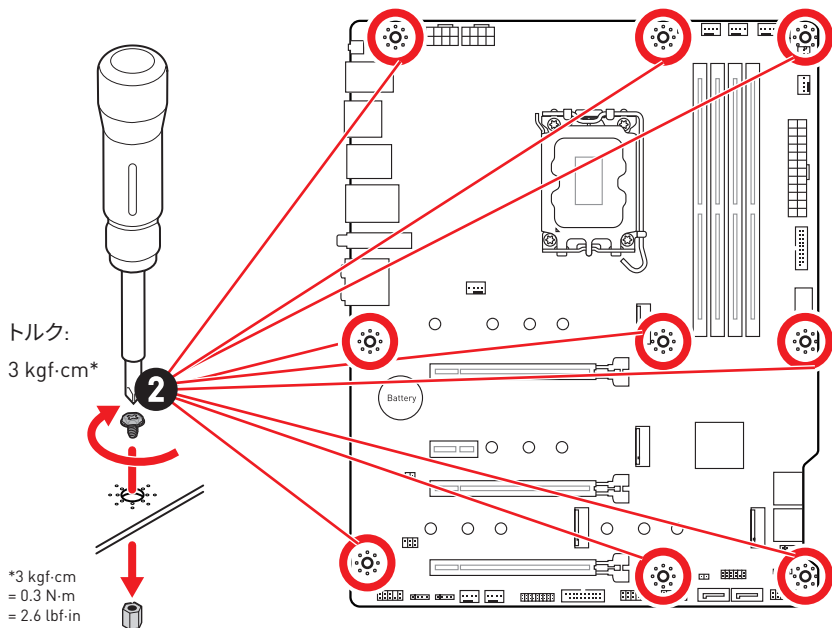
• <http://youtu.be/DPELIdVNZUI>



マザーボードの取り付け



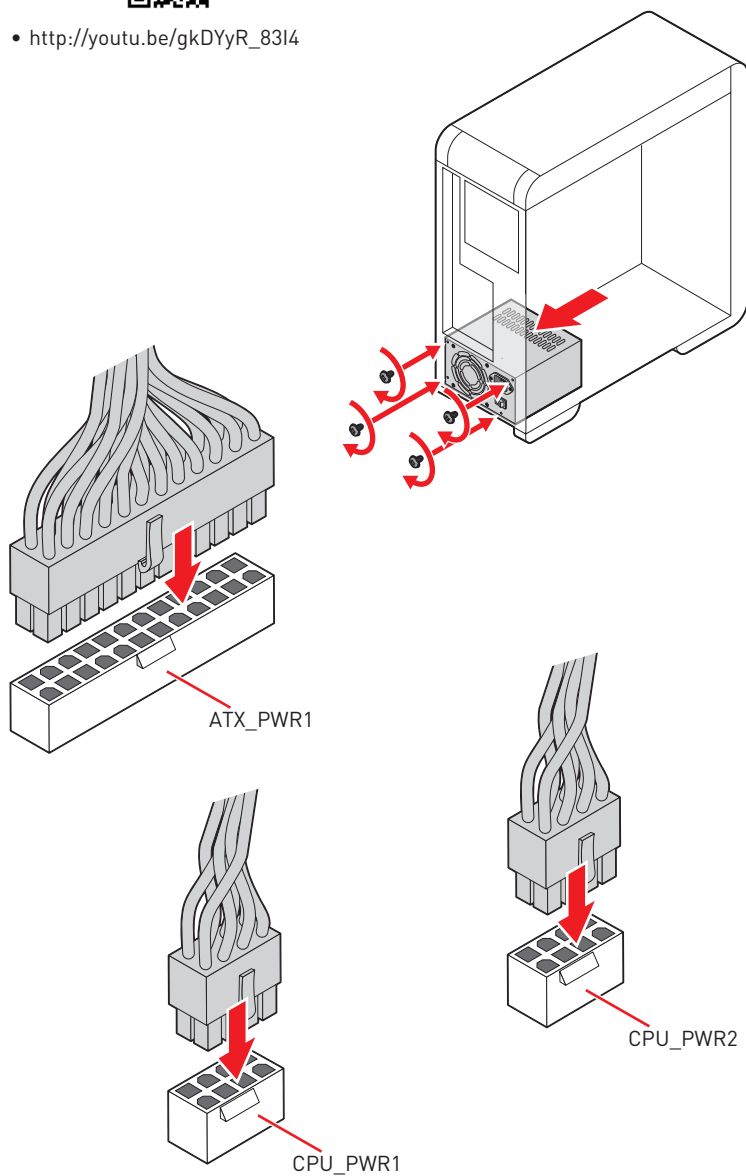
• <https://youtu.be/wWl6Qt51Wnc>



電源コネクターの接続



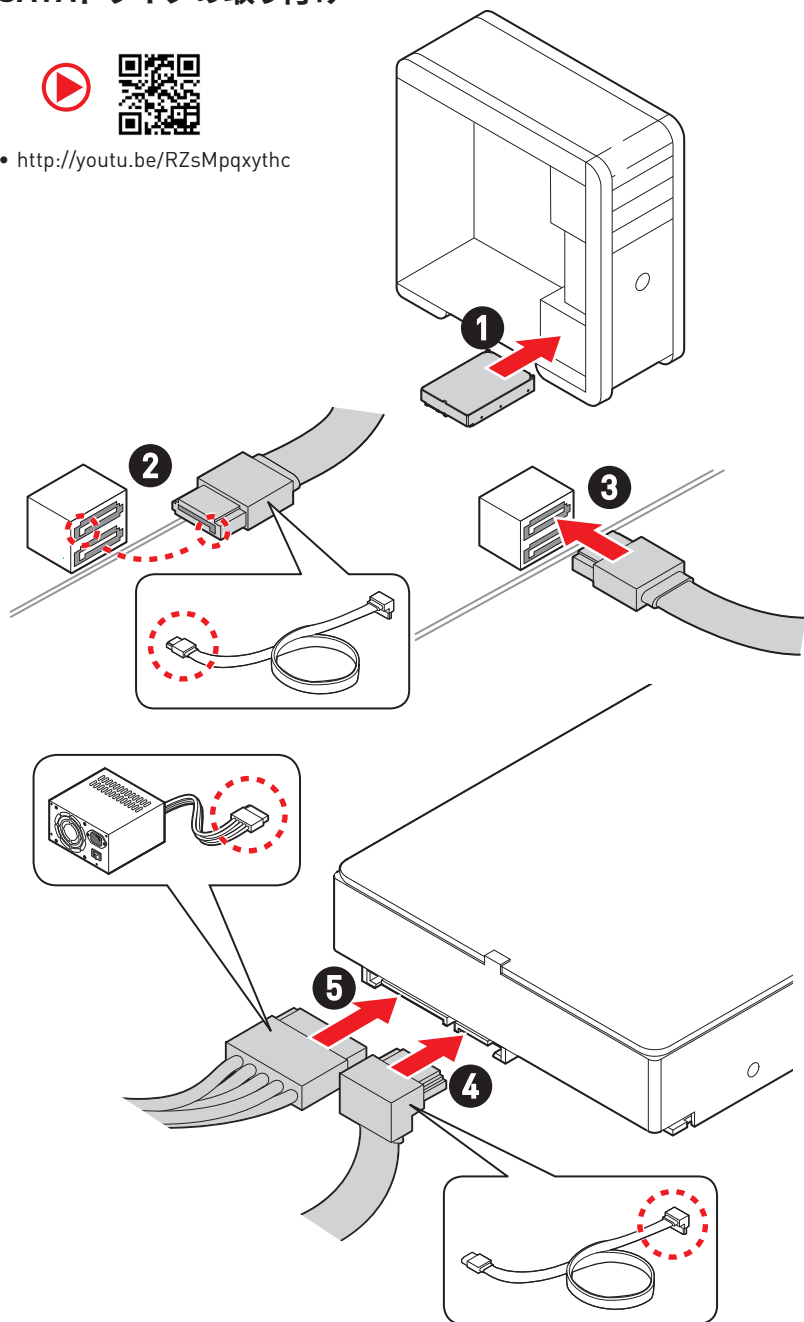
- http://youtu.be/gkDYyR_83l4



SATAドライブの取り付け



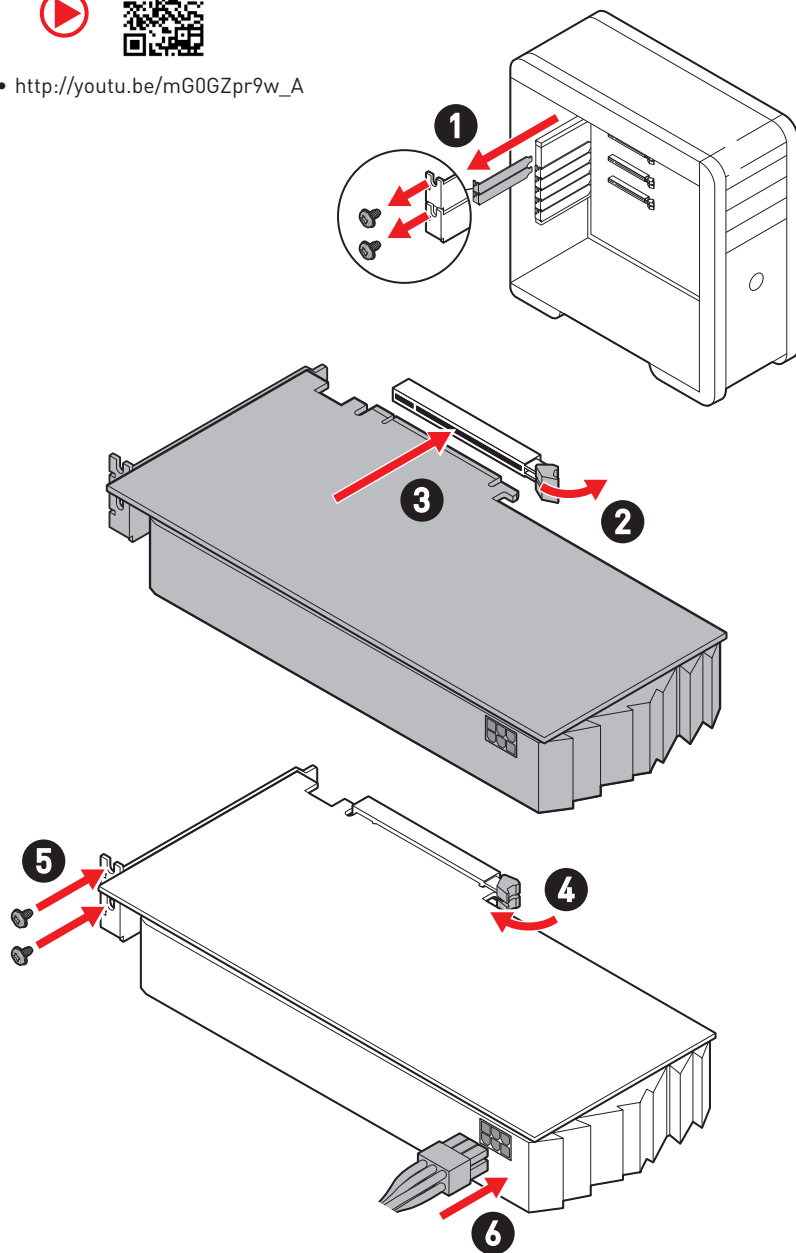
• <http://youtu.be/RZsMpqxythc>



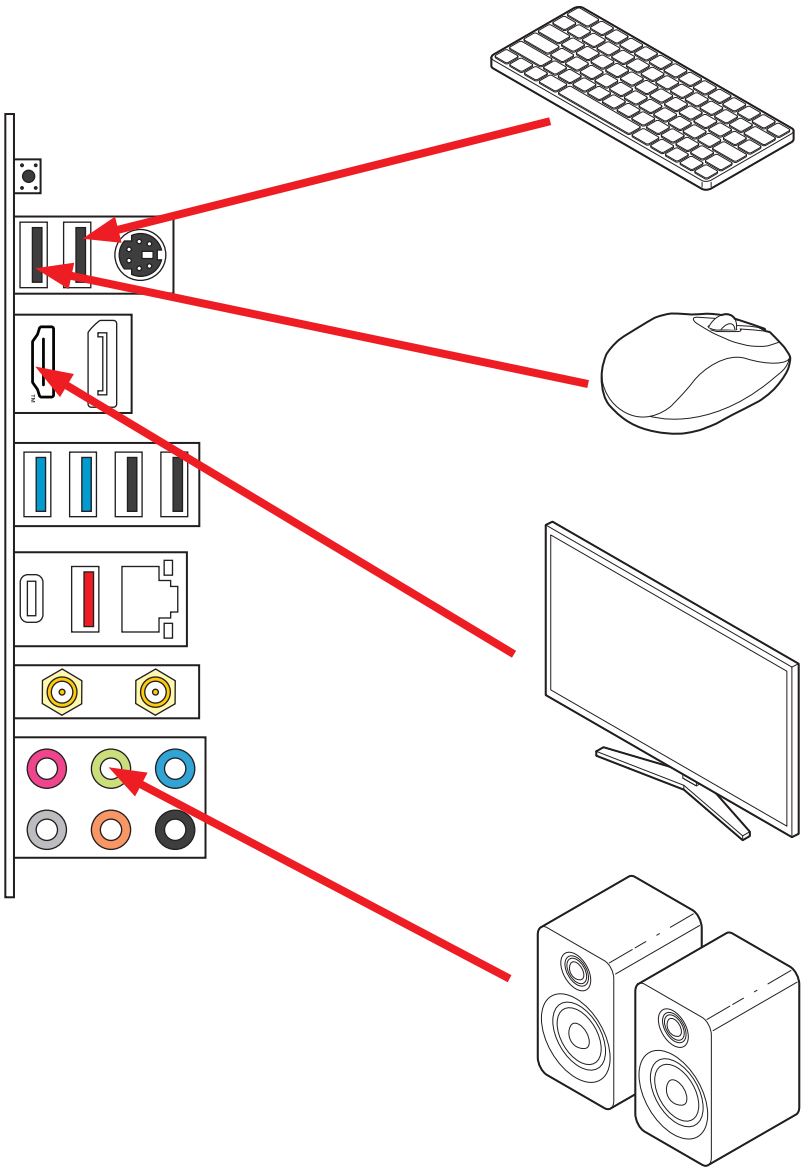
グラフィックスカードの取り付け



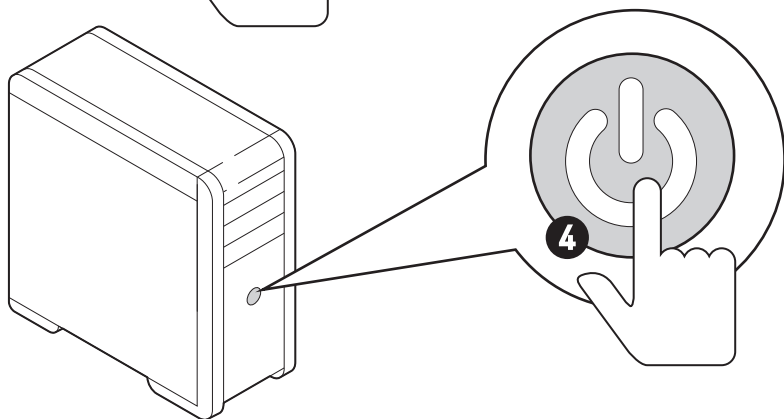
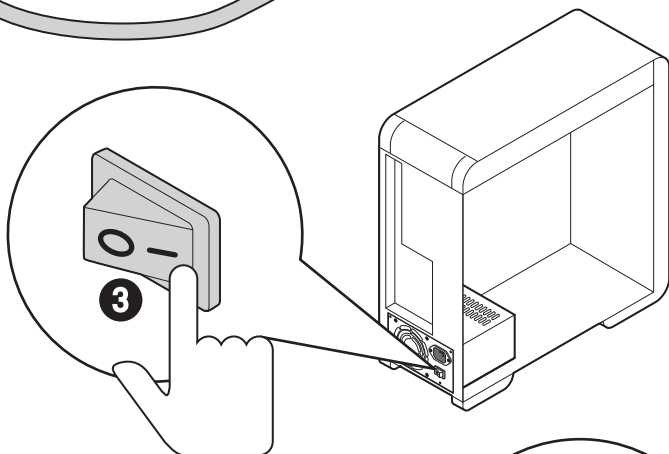
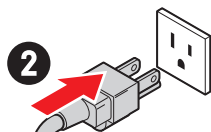
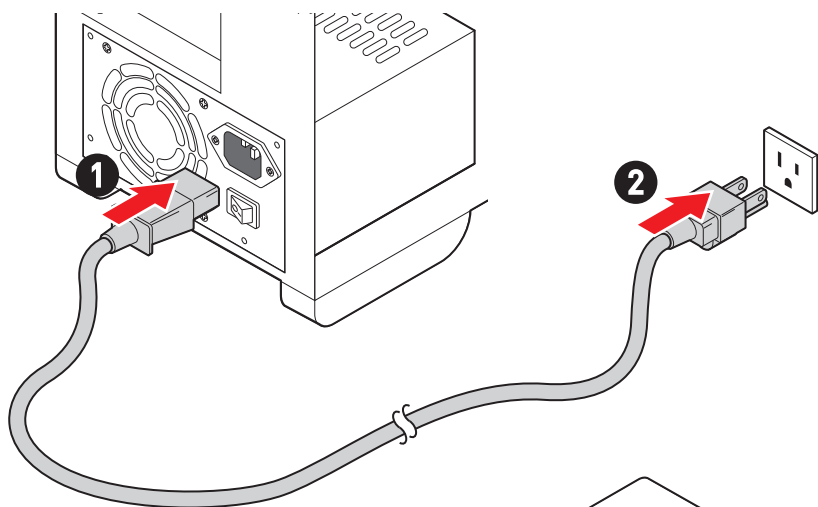
• http://youtu.be/mG0GZpr9w_A



周辺機器の接続



通電



仕様

CPU	<ul style="list-style-type: none">Intel® Core™第14/ 13/ 12世代プロセッサ、Intel® Pentium® GoldとCeleron®プロセッサをサポート*プロセッサソケットLGA1700 <p>*新しいプロセッサのリリース後、www.msi.comにアクセスして最新のサポート状態を確認してください。</p>
チップセット	Intel® Z790チップセット
メモリ	<ul style="list-style-type: none">DDR5メモリスロット4本搭載、最大192GB搭載可能*1R 5600 MHzをサポート (JEDEC & PORによる)最大オーバークロック周波数:<ul style="list-style-type: none">1DPC 1Rは最大7200+ MHzの速度をサポート1DPC 2Rは最大6600+ MHzの速度をサポート2DPC 1Rは最大6400+ MHzの速度をサポート2DPC 2Rは最大5600+ MHzの速度をサポートIntel® XMP 3.0 OCをサポートデュアルコントローラデュアルチャンネルモードをサポートnon-ECC、un-bufferedメモリをサポート <p>*互換性があるのメモリについての詳細はwww.msi.comからご参照ください。</p>
拡張スロット	<ul style="list-style-type: none">PCIe x16スロット x3<ul style="list-style-type: none">PCI_E1スロット (CPU帯域接続)<ul style="list-style-type: none">最大PCIe 5.0 x16をサポートPCI_E3 & PCI_E4スロット (Z790チップセット帯域接続)<ul style="list-style-type: none">PCI_E3は最大PCIe 4.0 x4をサポートPCI_E4は最大PCIe 3.0 x1をサポートPCIe x1スロット x1 (Z790チップセット帯域接続)<ul style="list-style-type: none">PCI_E2は最大PCIe 3.0 x1をサポート
オンボードグラフィックス	<ul style="list-style-type: none">HDR付きのHDMI™ 2.1ポート x1、最大解像度4K 60Hzをサポート*/ **HBR2付きのDisplayPort 1.4 x1、最大解像度4K 60Hzをサポート **/ ** <p>* GPU内蔵プロセッサを使用している場合利用可能です。 ** グラフィックスの仕様は使用するCPUによって異なる場合があります。</p>
SATAポート	<ul style="list-style-type: none">SATA 6Gb/sポート x6 (Z790チップセット帯域接続)

次のページから続く

前のページから続く

M.2 SSDスロット	<ul style="list-style-type: none">• M.2スロット x4 (Key M)• M2_1スロット (CPU帯域接続)<ul style="list-style-type: none">• 最大PCIe 4.0 x4をサポート• 2242/ 2260/ 2280/ 22110ストレージデバイスをサポート• M2_2スロット (Z790チップセット帯域接続)<ul style="list-style-type: none">• 最大PCIe 4.0 x4をサポート• 2242/ 2260/ 2280ストレージデバイスをサポート• M2_3スロット (Z790チップセット帯域接続)<ul style="list-style-type: none">• 最大PCIe 4.0 x4をサポート• SATA 6Gb/sをサポート• 2242/ 2260/ 2280ストレージデバイスをサポート• M2_4スロット (Z790チップセット帯域接続)<ul style="list-style-type: none">• 最大PCIe 4.0 x4をサポート• SATA 6Gb/sをサポート• 2242/ 2260/ 2280ストレージデバイスをサポート
RAID	<ul style="list-style-type: none">• SATAストレージデバイスにて、RAID 0、RAID 1、RAID 5とRAID 10をサポート• M.2 NVMeストレージデバイスにて、RAID 0、RAID 1、RAID 5とRAID 10をサポート
オーディオ	Realtek® ALC897コーデック <ul style="list-style-type: none">• 7.1チャンネルHDオーディオ
LAN	<ul style="list-style-type: none">• Intel® 2.5Gbps LANコントローラー x1
Wi-Fi & Bluetooth®	Intel® Wi-Fi 6E <ul style="list-style-type: none">• ワイヤレスモジュールはM.2 (Key-E) スロットにプレインストールされます。• MU-MIMO TX/RX, 2.4GHz/ 5GHz/ 6GHz*(160MHz)をサポート、最大2.4Gbpsまでの速度をサポート• 802.11 a/ b/ g/ n/ ac/ axをサポート• Bluetooth® 5.3**、FIPS、FISMAをサポート <p>*Wi-Fi 6GHzバンドはWindows 11のサポートに依存し、各国の規定によって異なる場合があります。</p> <p>** Bluetoothのバージョンは更新される場合があります。詳細はWi-Fiチップセットベンダーのウェブサイトを参照してください。</p>

次のページから続く

前のページから続く

電源コネクタ	<ul style="list-style-type: none">• 24ピンATXメイン電源コネクタ x1• 8ピン+12V電源コネクタ x2
内部USBコネクタ	<ul style="list-style-type: none">• USB 3.2 Gen 2 10Gbps Type-Cフロントパネルポート x1 (Z790チップセット帯域接続)• USB 3.2 Gen 1 5Gbpsコネクタ x2 (Z790チップセット帯域接続)<ul style="list-style-type: none">• 4基の追加USB 3.2 Gen 1 5Gbpsポートをサポート• USB 2.0コネクタ x2 (Hub-GL850G帯域接続)<ul style="list-style-type: none">• 4基の追加USB 2.0ポートをサポート
ファンコネクタ	<ul style="list-style-type: none">• 4ピンCPUファンコネクタ x1• 4ピンウォーターポンプファンコネクタ x1• 4ピンシステムファンコネクタ x6
システムコネクタ	<ul style="list-style-type: none">• フロントパネルオーディオコネクタ x1• システムパネルコネクタ x2• ケース開放スイッチコネクタ x1• TPMモジュールコネクタ x1• チューニングコントローラーコネクタ x1• USB4拡張カードコネクタ x1 (RTD3をサポート)
ジャンパー	<ul style="list-style-type: none">• クリアCMOSジャンパー x1
LEDの機能	<ul style="list-style-type: none">• EZ Debug LED x4• 4ピンRGB LEDコネクタ x2• 3ピンA-RAINBOW V2 (ARGB Gen2) LEDコネクタ x2

次のページから続く

前のページから続く

バックパネルコネクタ	<ul style="list-style-type: none">• Flash BIOSボタン x1• PS/2ポート x1• USB 2.0 Type-Aポート x4 (Z790チップセット帯域接続)• DisplayPort x1• HDMI™ポート x1• LAN (RJ45) ジャック x1• USB 3.2 Gen 1 5Gbps Type-Aポート x2 (Z790チップセット帯域接続)• USB 3.2 Gen 2 10Gbps Type-Aポート x1 (Z790チップセット帯域接続)• USB 3.2 Gen 2x2 20Gbps Type-Cポート x1 (Z790チップセット帯域接続)• Wi-Fiアンテナコネクタ x2• オーディオジャック x6
I/Oコントローラー	NUVOTON NCT6687コントローラーチップ
ハードウェアモニター	<ul style="list-style-type: none">• CPU/ システム/ チップセット温度の検知• CPU/ システム/ ポンプファン回転速度の検知• CPU/ システム/ ポンプファン回転速度のコントロール
寸法	<ul style="list-style-type: none">• ATXフォームファクタ• 244 mm x 305 mm (9.6 in. x 12 in.)
BIOSの機能	<ul style="list-style-type: none">• 256 Mbフラッシュ x1• UEFI AMI BIOS• ACPI 6.4, SMBIOS 3.5• 多言語対応
ソフトウェア	<ul style="list-style-type: none">• デバイスドライバー• MSI Center• Intel Extreme Tuning Utility• CPU-Z MSI GAMING• Norton 360• AIDA64 Extreme - MSI Edition• Adobe Creative Cloud• Acrobat

MSI独自の機能

MSI Center

- Mystic Light
- Ambient Link
- Frozr AI Cooling
- User Scenario
- True Color
- Live Update
- Hardware Monitoring
- Super Charger
- Devices Speed Up
- Smart Image Finder
- MSI Companion
- System Diagnosis

冷却機能

- 拡張ヒートシンクデザイン
- M.2 Shield Frozr
- K7 MOSFETサーマルパッド / エクストラチヨークパッド
- ファンヘッダー (CPU + PUMP + SYSTEM)

パフォーマンス

- Core Boost
- VRM電源デザイン (VCPU/ VGT/ AUX)
- デュアルCPU電源
- Memory Boost
- Lightning Gen 5 PCI-E
- Lightning Gen 4 PCI-E/ M.2スロット
- フロントUSB Type-C
- サーバグレードPCB
- 2オンス厚の銅を採用したPCB

DIYフレンドリー

- PCI-E Steel Armor
- EZ M.2クリップ
- EZ DEBUG LED
- EZ LEDコントロール
- Flash BIOSボタン
- プレーインストールのI/Oシールド

オーディオ

- Audio Boost

RGBサポート

- Mystic Light拡張 (RGB)
- Mystic Light拡張 (A-RAINBOW V2)
- Ambient Link

BIOS

- Click BIOS 5

パッケージの内容

パッケージにすべての添付品が含まれていることをご確認ください。

ボード

- マザーボード本体 x1

ドキュメンテーション

- クイック取り付けガイド x1
- 欧州連合規則 x1

アプリケーション

- ドライバーDVD x1

ケーブル

- SATA 6Gb/sケーブル x2

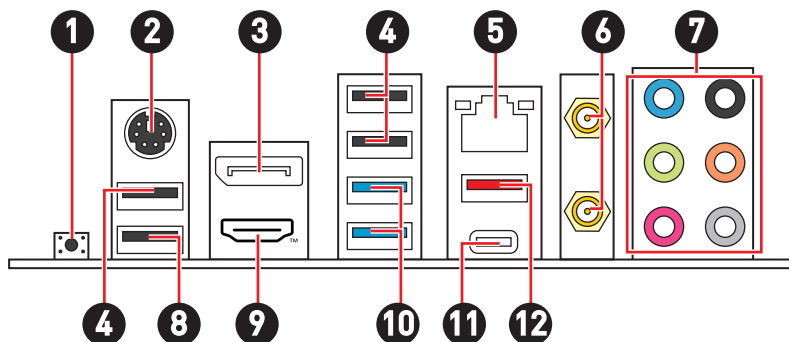
付属品


- Wi-Fiアンテナセット x1
- EZ M.2クリップセット x2 (1セット/パック)
- M.2ネジおよびスタンドオフ x1 (1セット/パック)



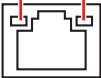
欠品または破損がある場合は、直ちにご購入された販売店へ連絡して下さい。

バックパネルコネクタ



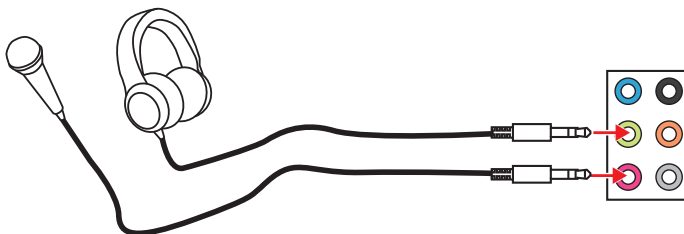
項目	説明
1	Flash BIOSボタン
2	PS/2ポート
3	DisplayPort
4	USB 2.0 Type-Aポート [Z790チップセット帯域接続]
5	2.5 Gbps LAN (RJ45) ジャック
6	Wi-Fiアンテナコネクタ
7	オーディオジャック
8	USB 2.0 Type-Aポート [Z790チップセット帯域接続] • Flash BIOSポート
9	HDMI™ポート 
10	USB 3.2 Gen 1 5Gbps Type-Aポート [Z790チップセット帯域接続]
11	USB 3.2 Gen 2x2 20Gbps Type-Cポート [Z790チップセット帯域接続]
12	USB 3.2 Gen 2 10Gbps Type-Aポート [Z790チップセット帯域接続]

LANポートLED状態表

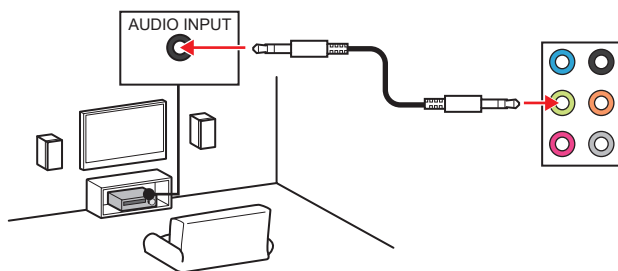
リンク/ アクティビティLED			スピードLED	
状態	説明		状態	スピード
Off	リンクしていません	Off	10 Mbps	
黄色	リンクしています	緑色	100/ 1000 Mbps	
点滅	データ通信中です	オレンジ	2.5 Gbps	

オーディオジャックの接続

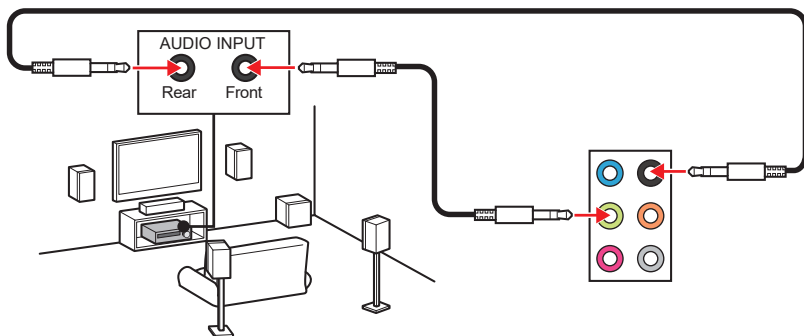
ヘッドフォンとマイクの接続方法



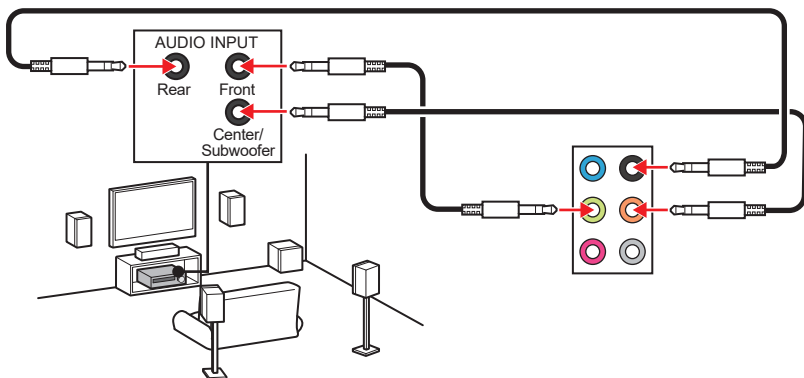
ステレオスピーカーの接続方法



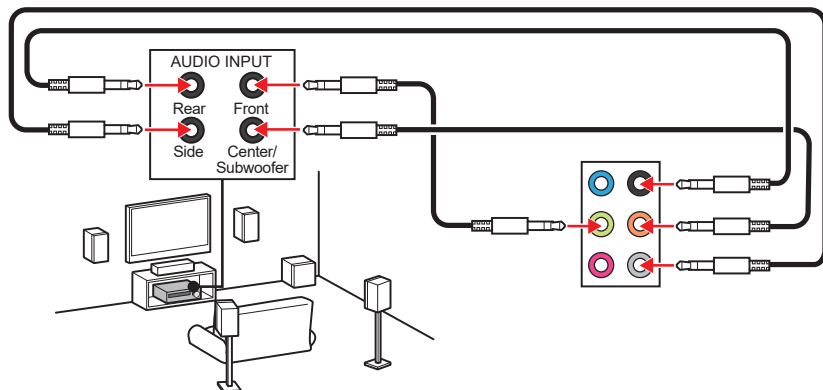
4チャンネルスピーカーの接続方法



5.1チャンネルスピーカーの接続方法

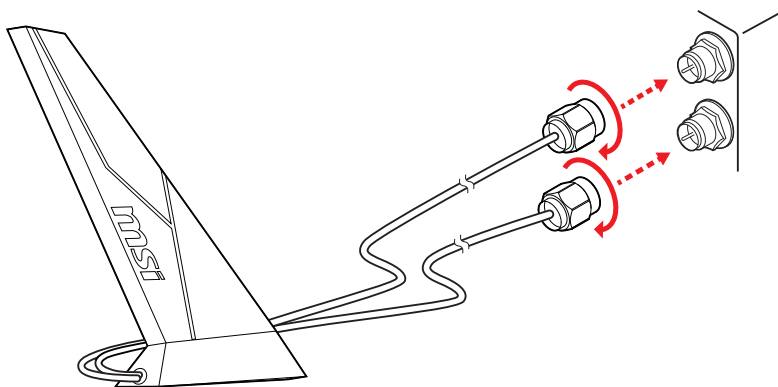


7.1チャンネルスピーカーの接続方法

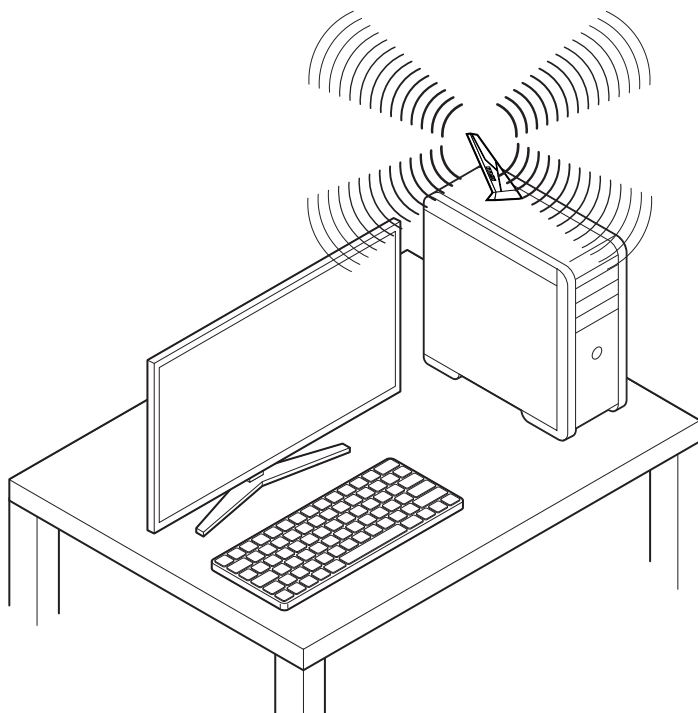


アンテナの取り付け

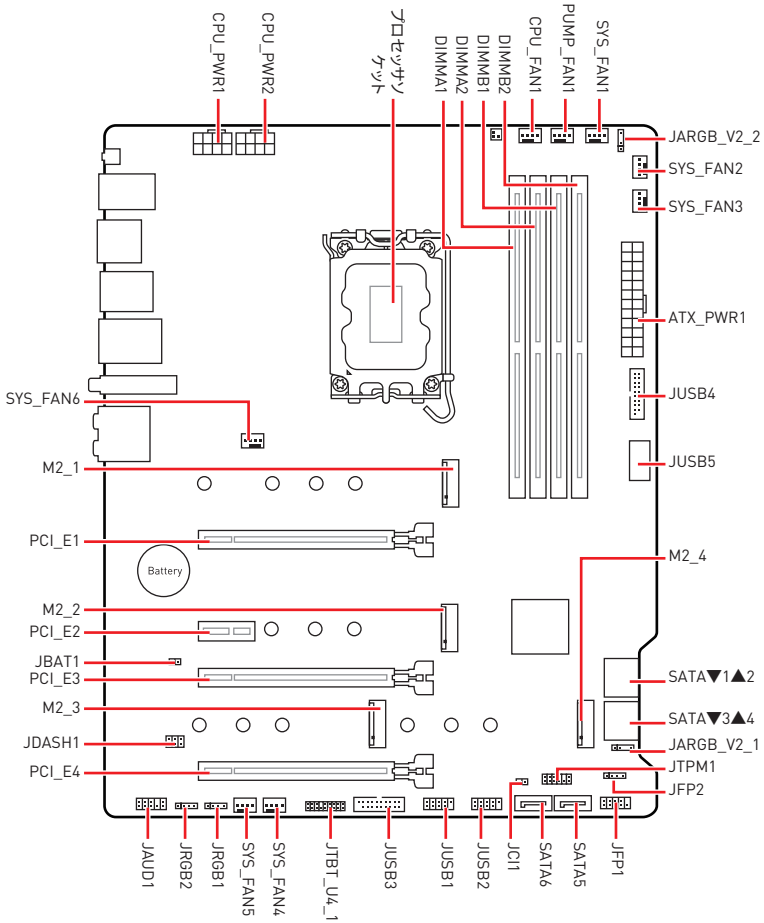
1. 下図のように2枚のアンテナケーブルをしっかりとWi-Fiアンテナコネクタに固定します。



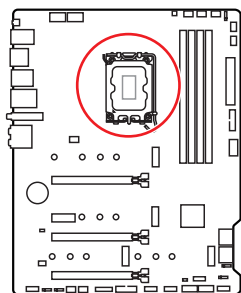
2. アンテナをできるだけ高く置きます。



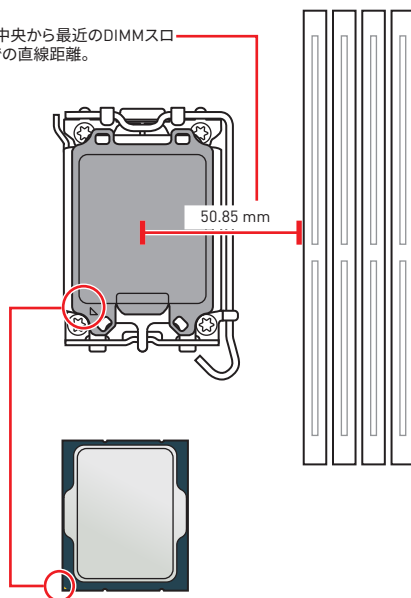
コンポーネントの概要



CPUソケット



CPUの中央から最近のDIMMソケットまでの直線距離。



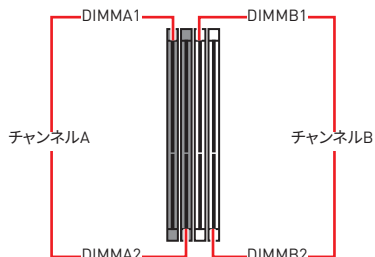
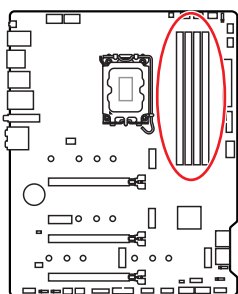
LGA1700 CPUについて

LGA1700 CPUには切り欠きが4個、黄色い三角印一個があります。黄色い三角印の方向をピン1の方向に向けて装着します。

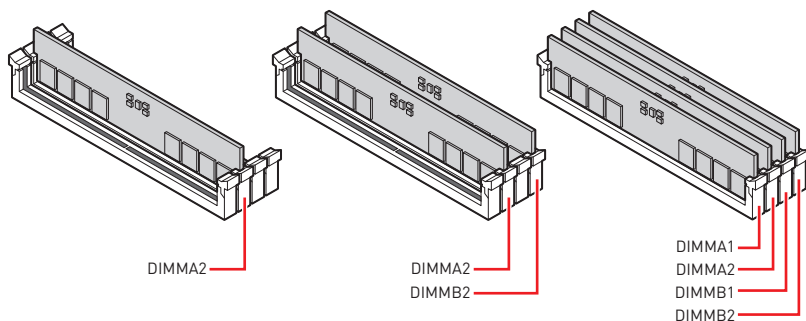
⚠ 注意

- CPUの脱着は、必ず電源をオフにし、コンセントから電源ケーブルを抜いてから行ってください。
- CPUを取り付けた後、CPUソケットに取り付けられていたCPUソケットカバーは絶対に捨てないでください。本製品の修理を依頼される際に、CPUソケットカバーがCPUソケットに取り付けられていない場合は修理をお断りすることがございます。
- CPUを取り付ける際は、必ずCPUクーラーも取り付けてください。CPUクーラーは過熱を防ぎ、システムの安定を保つために必要です。
- システムを起動する前に、CPUクーラーがCPUとしっかりと密着していることを確認してください。
- CPUの過熱はCPU自身やマザーボードに深刻なダメージを与えるおそれがあります。システム組み立て後初回起動時に必ずCPUファンが正常に動作していることを確認してください。CPUクーラーをマザーボードへ装着する際、CPUとの接触面に適切な量の熱伝導性ペーストを塗布するか、または熱伝導性シートを挟んでください。
- CPUを外した状態でマザーボードを保管する場合は、必ずCPUソケットカバーを装着し、ソケットのピンを保護してください。
- CPUとは別にCPUクーラーを購入された場合は、CPUクーラーに添付されている文書を参照して取り付け方法の詳細を確認して下さい。
- このマザーボードはオーバークロックをサポートしています。オーバークロックを試みる前に、マザーボード以外のすべてのパーツがオーバークロックに耐えるか確認してください。製品の仕様を超えるいかなる試みも推奨しません。製品の仕様を超えた不適切な取り扱いによって生じた損害やリスクをMSIは保証しません。

DIMMスロット



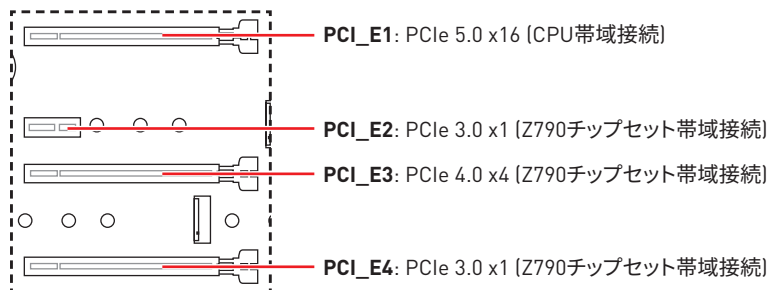
メモリモジュールの推奨取付順序



⚠ 注意

- メモリスロットは**DIMMA2**を最優先に使用して下さい。
- デュアルチャンネルモードでのシステムの安定性を確保するためには、同一メーカーの同一メモリモジュールを装着する必要があります。
- メモリの動作周波数はSPDに依存するため、オーバークロックの際に公称値より低い周波数で動作するメモリがあります。メモリを公称値かそれ以上の周波数で動作させたい場合は、BIOSメニューの**DRAM Frequency**の項目で動作周波数を設定してください。
- 全てのDIMMスロットを使用する場合やオーバークロックをする場合はより効率的なメモリ冷却システムの使用をお勧めします。
- オーバークロック時の、メモリの安定性と互換性は取り付けられたCPUとデバイスに依存します。
- 互換性があるのメモリについての詳細はwww.msi.comからご参照ください。

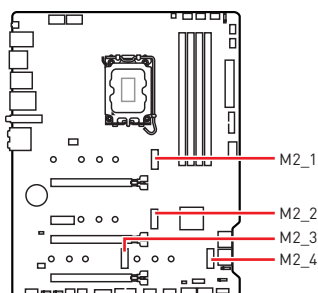
PCI_E1~4: PCIe拡張スロット



注意

- 大型且つ重いグラフィックスカードをインストールすると、スロットの変形を防止するために、**MSI Graphics Card Bolster**のようなツールを使用することが必要です。
- 一枚のPCIe x16拡張カードを最適な性能で動作させたい場合は、**PCI_E1**スロットの使用をお勧めします。
- 拡張カードの着脱は、必ず電源をオフにし、コンセントから電源ケーブルを抜いてから行ってください。ハードウェアまたはソフトウェアにどのような変更が必要であるかは、拡張カードのドキュメントでご確認ください。

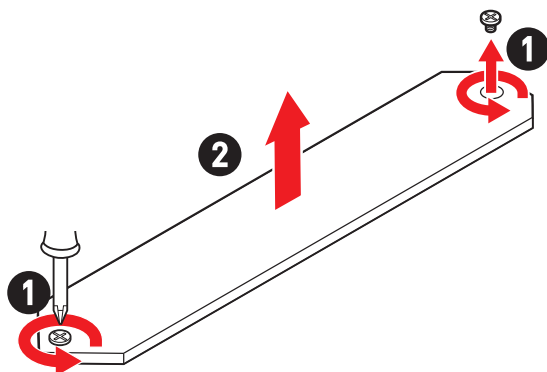
M2_1~4: M.2スロット (Key M)



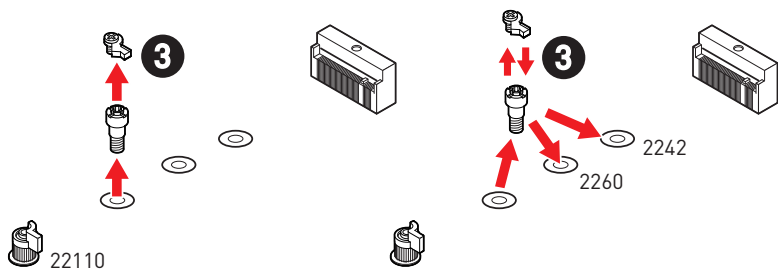
- Intel® RSTはUEFI ROM付きのPCIe M.2 SSDのみをサポートします。
- M.2 SSDはヒートシンクを搭載している場合、M.2スロットのM.2ゴムキューブを取り外してからM.2 SSDを取り付けてください。マザーボードに供給のヒートシンクを再度取付ける必要はありません。

M2_1スロットへのM.2モジュールの取り付け

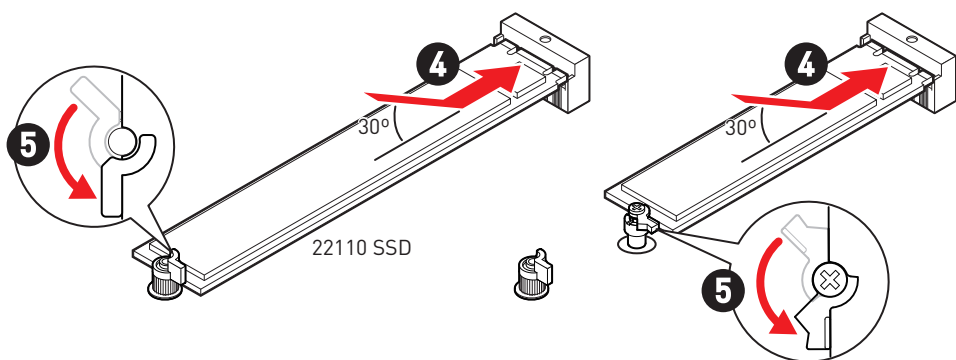
1. M.2 Shield Frozrヒートシンクのねじを緩めます。
2. M.2 Shield Frozrヒートシンクを持ち上げ、取り外します。



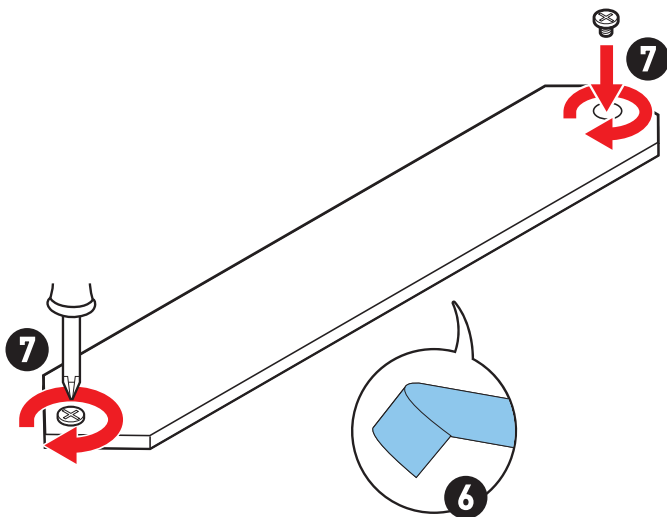
3. SSDの長さによってねじを取り外しますか、または交換します。2280 SSDが取り付けられている場合はこのステップを飛ばします。



4. 30°の角度でM.2 SSDをM.2スロットに挿入します。
5. EZ M.2クリップを回してM.2 SSDを固定します。

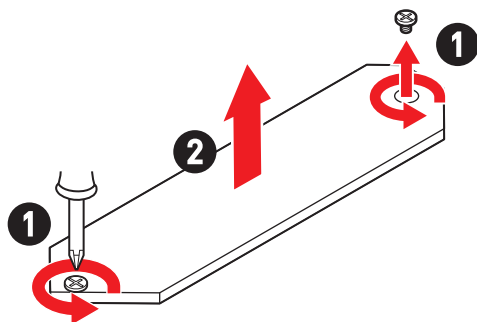


6. 底面のM.2 Shield Frozrヒートシンクの放熱パッドから保護膜を取り外します。
7. M.2 Shield Frozrヒートシンクをヒートシンクスタンドオフに固定します。

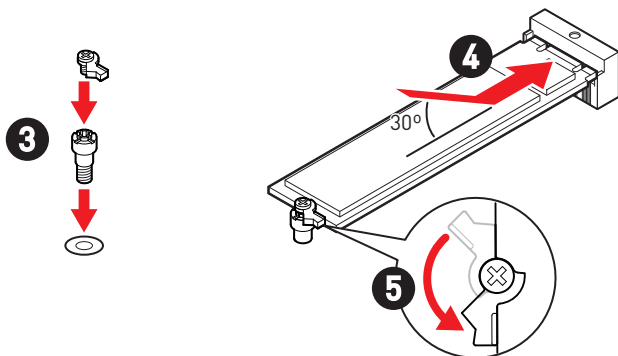


M2_2スロットへのM.2モジュールの取り付け

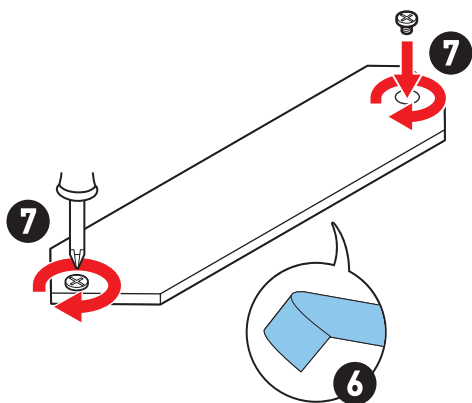
1. M.2 Shield Frozrヒートシンクのねじを緩めます。
2. M.2 Shield Frozrヒートシンクを持ち上げ、取り外します。



3. SSDの長さによって供給のEZ M.2クリップキットを取り付けます。2280 SSDが取り付けられている場合はこのステップを飛ばします。
4. 30°の角度でM.2 SSDをM.2スロットに挿入します。
5. EZ M.2クリップを回してM.2 SSDを固定します。2280 SSDが取り付けられている場合はこのステップを飛ばします。

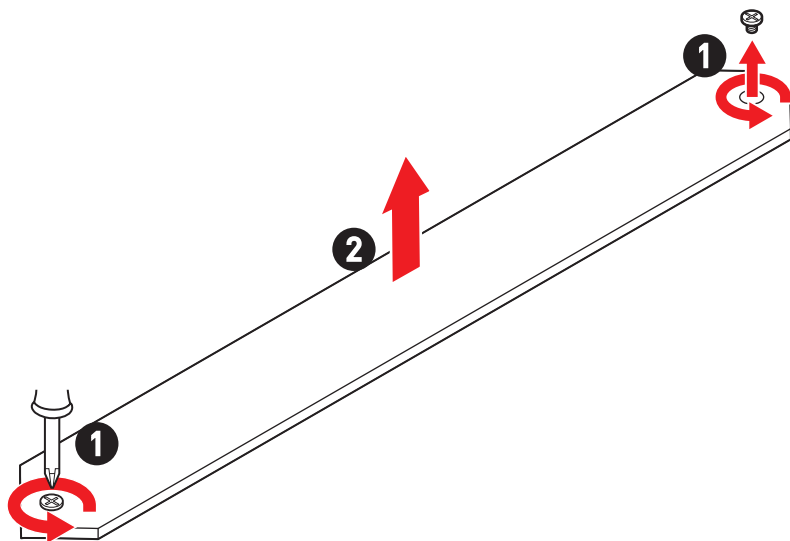


6. 底面のM.2 Shield Frozrヒートシンクの放熱パッドから保護膜を取り外します。
7. M.2 Shield Frozrヒートシンクをヒートシンクスタンドオフに固定します。

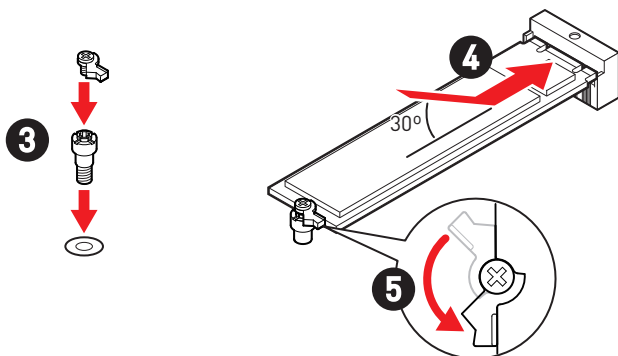


M2_3スロットへのM.2モジュールの取り付け

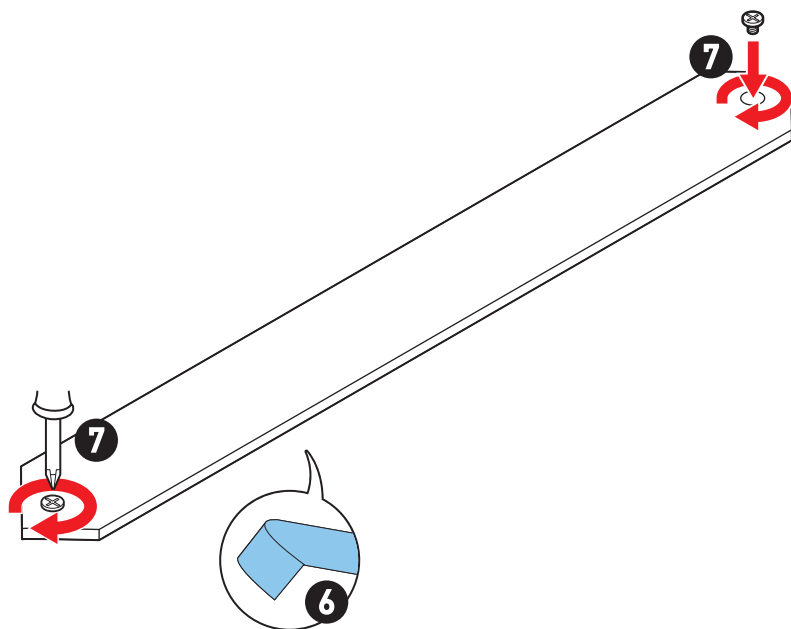
1. M.2 Shield Frozrヒートシンクのねじを緩めます。
2. M.2 Shield Frozrヒートシンクを持ち上げ、取り外します。



3. SSDの長さによって供給のEZ M.2クリップキットを取り付けます。2280 SSDが取り付けられている場合はこのステップを飛ばします。
4. 30°の角度でM.2 SSDをM.2スロットに挿入します。
5. EZ M.2クリップを回してM.2 SSDを固定します。

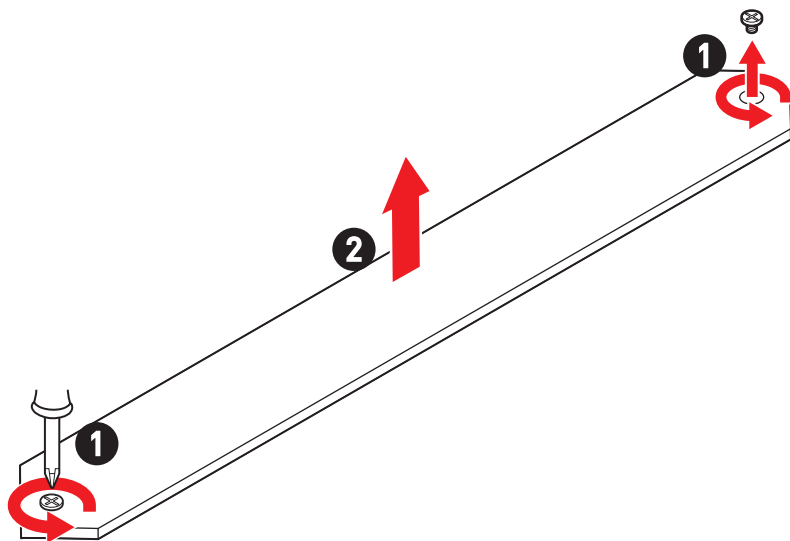


6. 底面のM.2 Shield Frozrヒートシンクの放熱パッドから保護膜を取り外します。
7. M.2 Shield Frozrヒートシンクをヒートシンクスタンドオフに固定します。

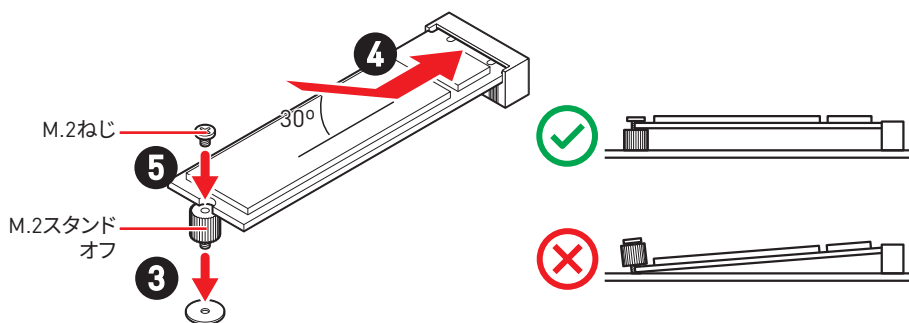


M2_4スロットへのM.2モジュールの取り付け

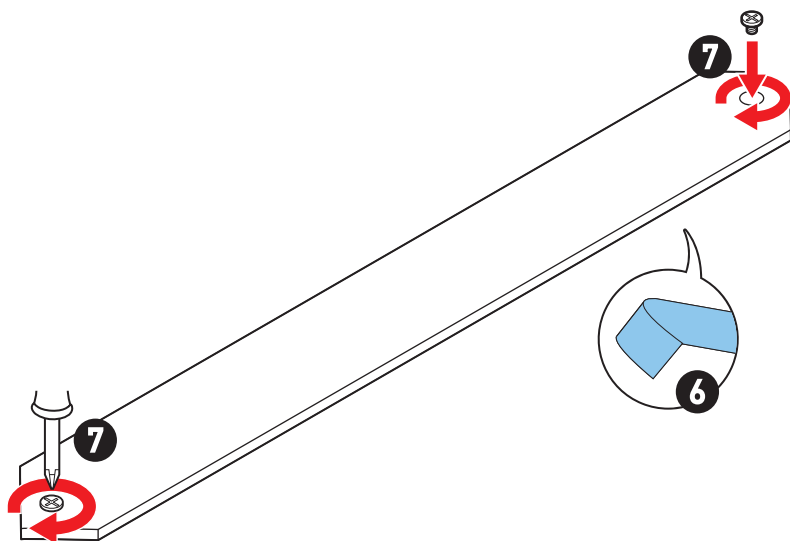
1. M.2 Shield Frozrヒートシンクのねじを緩めます。
2. M.2 Shield Frozrヒートシンクを持ち上げ、取り外します。



3. SSDの長さによって供給のM.2スタンドオフを取り付けます。
4. 30°の角度でM.2 SSDをM.2スロットに挿入します。
5. 供給のM.2ねじでM.2 SSDを固定します。

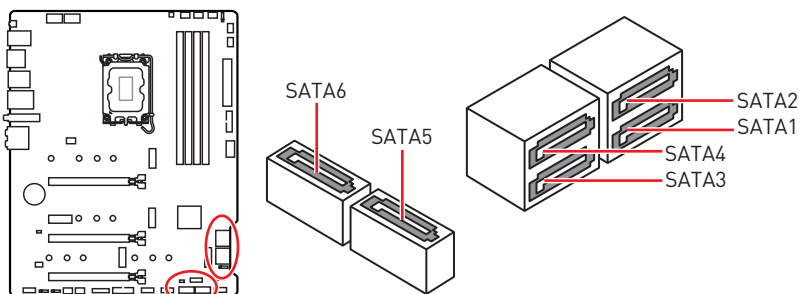


6. 底面のM.2 Shield Frozrヒートシンクの放熱パッドから保護膜を取り外します。
7. M.2 Shield Frozrヒートシンクをヒートシンクスタンドオフに固定します。



SATA1~6: SATA 6Gb/sコネクタ

これらのコネクタはSATA 6Gb/sインターフェースポートです。一つのコネクタにつき、一つのSATAデバイスを接続できます。

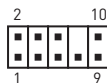
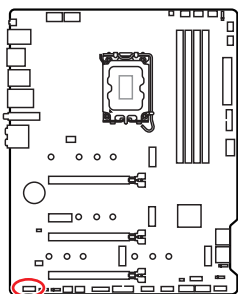


⚠ 注意

- SATAケーブルは90度以下の角度に折り曲げないでください。データ損失を起す恐れがあります。
- SATAケーブルは両端に同一のプラグを備えています。然し、スペースの確保のためにマザーボードにはストレートタイプのコネクタを接続されることをお勧めします。

JAUD1: フロントオーディオコネクタ

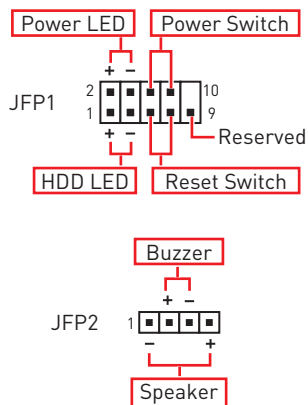
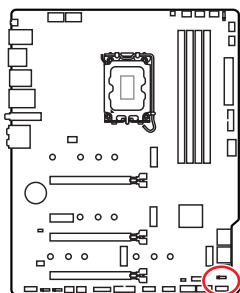
このコネクタにはフロントパネルのオーディオジャックを接続します。



ピン	信号名	ピン	信号名
1	MIC L	2	Ground
3	MIC R	4	NC
5	Head Phone R	6	MIC Detection
7	SENSE_SEND	8	No Pin
9	Head Phone L	10	Head Phone Detection

JFP1, JFP2: フロントパネルコネクター

JFP1コネクターは電源オン、電源リセット、PCケースのLEDをコントロールします。Power Switch/ Reset Switchヘッダーには電源ボタン/ リセットボタンを接続します。Power LEDヘッダーにはPCケースのLEDを接続します。HDD LEDヘッダーはハードディスクの状態を示します。JFP2コネクターはBuzzerとSpeakerに対応しています。PCケースからケーブルを正しく接続するには、下記の図をご参照ください。

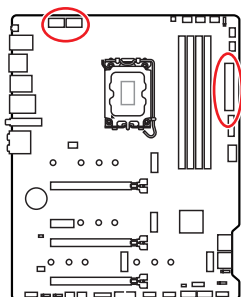


⚠ 注意

Power LEDとHDD LEDはプラスとマイナスの区別があり、マザーボード上の対応するプラスとマイナスのピンヘッダーにケーブルを接続する必要があります。正しく接続されていない場合、LEDは正常に動作しませんのでご注意ください。

CPU_PWR1~2, ATX_PWR1: 電源コネクタ

これらのコネクタにはATX電源を接続します。

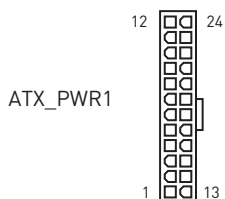
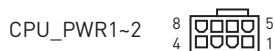


CPU_PWR1~2

ピン	信号名	ピン	信号名
1	Ground	2	Ground
3	Ground	4	Ground
5	+12V	6	+12V
7	+12V	8	+12V

ATX_PWR1

ピン	信号名	ピン	信号名
1	+3.3V	2	+3.3V
3	Ground	4	+5V
5	Ground	6	+5V
7	Ground	8	PWR OK
9	5VSB	10	+12V
11	+12V	12	+3.3V
13	+3.3V	14	-12V
15	Ground	16	PS-ON#
17	Ground	18	Ground
19	Ground	20	Res
21	+5V	22	+5V
23	+5V	24	Ground

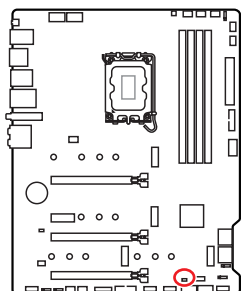


注意

マザーボードの安定した動作を確実にするために、全ての電源ケーブルが適切なATX電源ユニットにしっかりと接続されていることを確認して下さい。

JCI1: ケース開放スイッチコネクタ

このコネクタにはケース開放スイッチケーブルを接続します。



正常
(デフォルト)



ケース開放イベントト
リガー有効

ケース開放検知機能の使い方

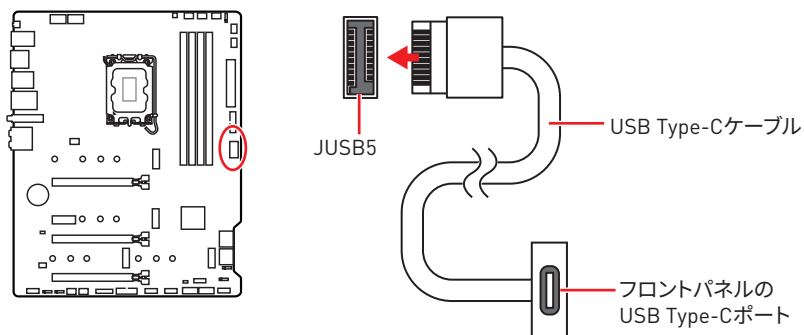
1. JCI1コネクタをケース開放スイッチ/センサーに接続します。
2. ケースのカバーを閉じます。
3. BIOS > SETTINGS > Security > Chassis Intrusion Configurationに入ります。
4. Chassis IntrusionをEnabledに設定します。
5. F10を押すと、設定を保存して終了するかメッセージが出ますので、Enterキーを押してYesを選択します。
6. ケースが開けられるとシステムに開放の情報が記録され、次のシステム起動時に警告メッセージが表示されます。

ケース開放警告のリセット

1. BIOS > SETTINGS > Security > Chassis Intrusion Configurationに入ります。
2. Chassis IntrusionをResetに設定します。
3. F10を押すと、設定を保存して終了するかメッセージが出ますので、Enterキーを押してYesを選択します。

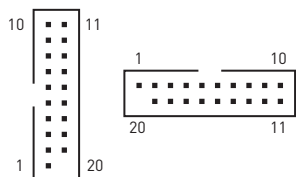
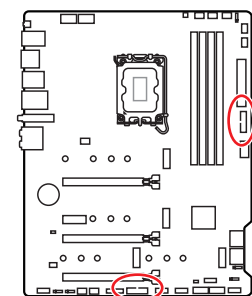
JUSB5: USB 3.2 Gen 2 Type-Cフロントパネルコネクタ

このコネクタにはフロントパネルのUSB 3.2 Gen 2 10Gbps Type-Cコネクタを接続します。これらのコネクタは確実なデザインを持っています。ケーブルを接続すると、対応方向で接続することを確認してください。



JUSB3~4: USB 3.2 Gen 1コネクタ

これらのコネクタにはフロントパネルのUSB 3.2 Gen 1 5Gbpsポートを接続します。



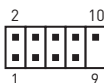
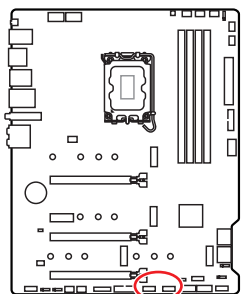
ピン	信号名	ピン	信号名
1	Power	2	USB3_RX_DN
3	USB3_RX_DP	4	Ground
5	USB3_TX_C_DN	6	USB3_TX_C_DP
7	Ground	8	USB2.0-
9	USB2.0+	10	Ground
11	USB2.0+	12	USB2.0-
13	Ground	14	USB3_TX_C_DP
15	USB3_TX_C_DN	16	Ground
17	USB3_RX_DP	18	USB3_RX_DN
19	Power	20	No Pin

⚠️ 注意

電源とグランドピンは必ず接続してください。正しく接続されていない場合、機器が損傷するおそれがあります。

JUSB1~2: USB 2.0コネクター

これらのコネクターにはフロントパネルのUSB 2.0ポートを接続します。



ピン	信号名	ピン	信号名
1	VCC	2	VCC
3	USB0-	4	USB1-
5	USB0+	6	USB1+
7	Ground	8	Ground
9	No Pin	10	NC

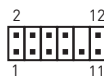
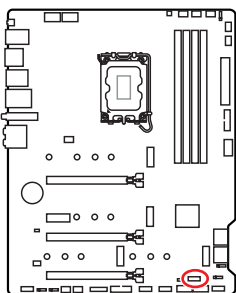


注意

- VCCピンとグランドピンは必ず接続してください。正しく接続されていない場合、機器が損傷するおそれがあります。
- これらのUSBポートでiPad、iPhoneとiPodを再充電するには、MSI Centerユーティリティをインストールしてください。

JTPM1: TPMモジュールコネクター

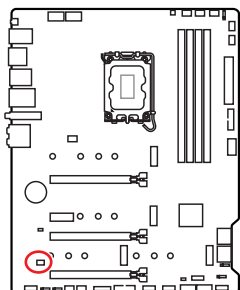
このコネクターはTPM (Trusted Platform Module)を接続します。詳細についてはTPMセキュリティプラットフォームホームマニュアルを参照して下さい。



ピン	信号名	ピン	信号名
1	SPI Power	2	SPI Chip Select
3	Master In Slave Out (SPI Data)	4	Master Out Slave In (SPI Data)
5	Reserved	6	SPI Clock
7	Ground	8	SPI Reset
9	Reserved	10	No Pin
11	Reserved	12	Interrupt Request

JDASH1 : チューニングコントローラーコネクタ

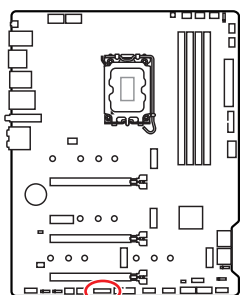
このコネクタはオプションのチューニングコントローラーモジュールを接続します。



ピン	信号名	ピン	信号名
1	No Pin	2	NC
3	MCU_SMB_SCL_M	4	MCU_SMB_SDA_M
5	VCC5	6	Ground

JTBT_U4_1: USB4拡張カードコネクタ

このコネクタにはMSI USB4 PD100W拡張カードを接続します。



ピン	信号名	ピン	信号名
1	TBT_Force_PWR	2	TBT_S0IX_Entry_REQ
3	TBT_CIO_Plug_Event#	4	TBT_S0IX_Entry_ACK
5	SLP_S3#_TBT	6	TBT_PSON_Override_N
7	SLP_S5#_TBT	8	Net Name
9	Ground	10	SMBCLK_VSB
11	DG_PEWake	12	SMBDATA_VSB
13	TBT_RTD3_PWR_EN	14	Ground
15	TBT_Card_DET_R#	16	PD_IRQ#
17	GPP_C22	18	GPP_E3

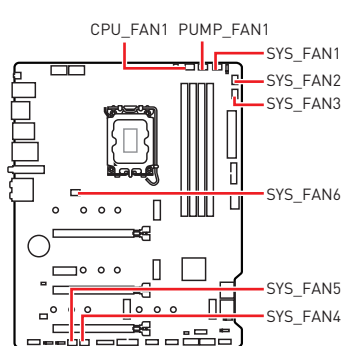
CPU_FAN1, PUMP_FAN1, SYS_FAN1~6: ファンコネクター

ファンコネクターはPWM (パルス幅変調) モードとDCモードに分類されます。PWMモードファンコネクターには常時12Vが出力されており、スピードコントロール信号によってファンスピードを調整します。DCモードファンコネクターは電圧出力を変えることでファンスピードをコントロールします。自動モードファンコネクターは自動的にPWMまたはDCモードを検出することができます。

BIOS> HARDWARE MONITORパネルで、ファンをコントロールします。DCまたはPWMをファンタイプに設定することができます。**スマートファンモード**をチェックすると、ファンの速度はCPUまたはシステムの温度によって変わります。**スマートファンモード**のチェックを外すと、ファンは最大速度で動作します。



注意
PWM/ DCモードを切り替えた後、ファンが正しく動作していることを確認してください。



PWMモードのピンの定義

ピン	信号名	ピン	信号名
1	Ground	2	+12V
3	Sense	4	Speed Control Signal

DCモードのピンの定義

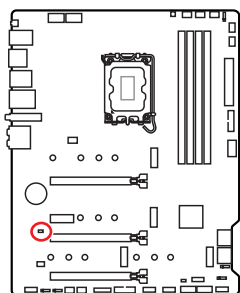
ピン	信号名	ピン	信号名
1	Ground	2	Voltage Control
3	Sense	4	NC

ファンコネクターの仕様

コネクター	デフォルトファンモード	最大電流	最大電源
CPU_FAN1	自動モード	2A	24W
PUMP_FAN1	PWMモード	3A	36W
SYS_FAN1~6	DCモード	1A	12W

JBAT1: クリアCMOS (BIOSリセット) ジャンパー

本製品はシステムの設定情報を保持するCMOSメモリを搭載しており、マザーボード上のボタン型電池から電力が供給されます。システムの設定をクリアしたい場合は、CMOSメモリをクリアするためにジャンパピンにジャンパブロックを取り付けてください。



データを
保持
(デフォルト)



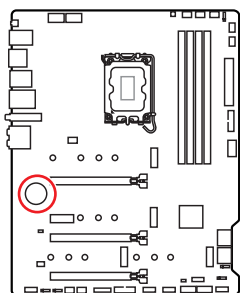
CMOSをクリア/
BIOSをリセット

BIOSをデフォルト値にリセットする

1. PCの電源をオフにし、コンセントから電源コードを抜いて下さい。
2. ジャンパブロックでJBAT1を5-10秒ぐらいショットします。
3. JBAT1からジャンパブロックを取り外します。
4. 電源コードをコンセントに元通りに接続し、電源を投入します。

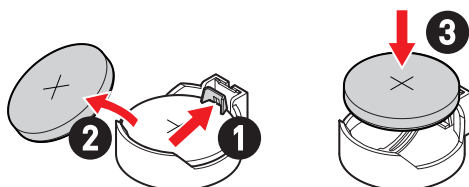
BAT1: CMOSバッテリー

CMOSバッテリーが切れている場合、BIOSの時刻設定がリセットされ、システムの設定が失われます。その場合、CMOSバッテリーの交換が必要となります。



CMOSバッテリーの交換

1. リテーナークリップを押してボタン電池を外します。
2. ソケットからボタン電池を取り外します。
3. +マークを上にして新品のCR2032ボタン電池を取り付けます。ボタン電池がしっかりとリテーナーに固定されていることを確認してください。



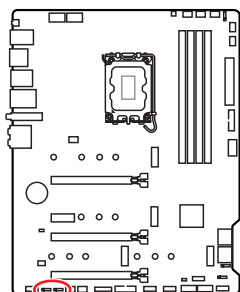
警告

子どもの手の届かないところに保管してください。

- 電池を飲み込むことで、化学やけど、軟部組織の穿孔、および死亡につながる可能性があります。
- 重度のやけどは摂取後2時間以内に起こります。
- 電池を飲み込んだり、体の中に入れたりした可能性がある場合は、すぐ医師に相談してください。

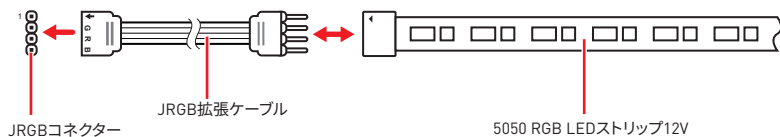
JRGB1~2: RGB LEDコネクター

JRGBコネクターは5050 RGB LEDストリップ12Vを接続します。

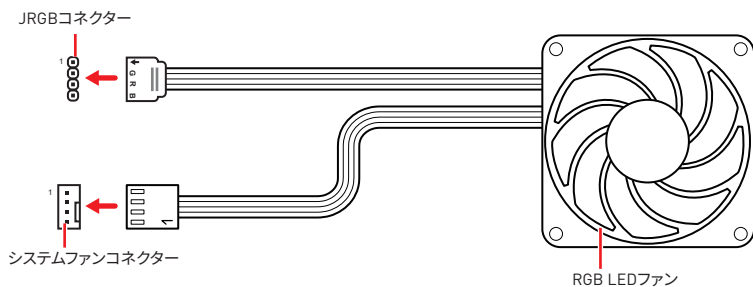


ピン	信号名	ピン	信号名
1	+12V	2	G
3	R	4	B

RGB LEDストリップコネクター



RGB LEDファンコネクター

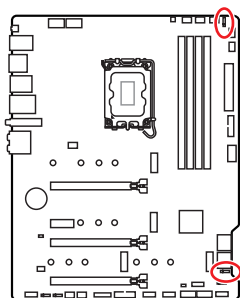


注意

- JRGBコネクターは長さ2m以下のものを御使用ください。定格最大出力は3A (12V) で、5050 RGB LEDストリップ(12V/G/R/B)をサポートします。
- RGB LEDストリップの着脱は、必ず電源ユニットのスイッチをオフにして電源コードを抜いた状態で実施してください。
- MSIのソフトウェアで拡張 LEDストリップをコントロールします。

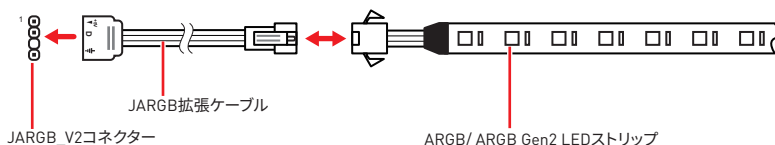
JARGB_V2_1~2: A-RAINBOW V2 (ARGB Gen2) LEDコネクター

JARGB_V2コネクターはARGB Gen2とARGB LEDストリップを接続することができます。JARGB_V2コネクターの定格最大出力は3A (5V)で、240個々にアドレス指定可能なRGB LEDをサポートします。

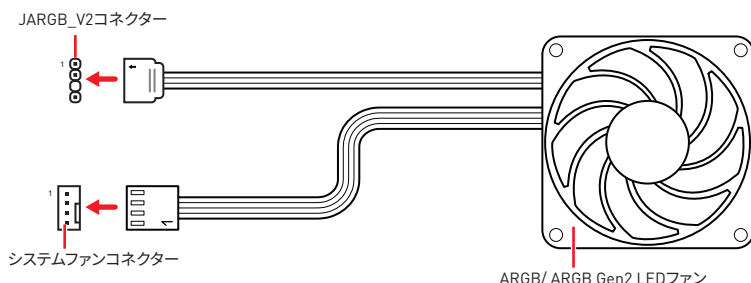


ピン	信号名	ピン	信号名
1	+5V	2	Data
3	No Pin	4	Ground

アドレス指定可能なRGB LEDストリップコネクター



アドレス指定可能なRGB LEDファンコネクター



警告

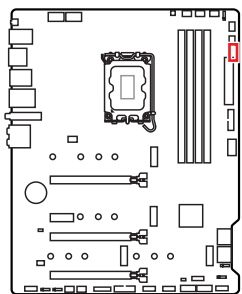
間違ったタイプのLEDストリップを接続しないでください。JRGBコネクタとJARGB_V2コネクタは異なる電圧を供給し、ARGB 5V LEDストリップをJRGBコネクタに接続すると、LEDストリップが損傷します。

注意

- 鮮やかなLEDライティング効果を得るためには、同規格のRGBデバイスで統一することを強く推奨いたします。
- アドレス指定可能なRGB LEDストリップの着脱は、必ず電源ユニットのスイッチをオフにして電源コードを抜いた状態で実施してください。
- MSIのソフトウェアで拡張LEDストリップをコントロールします。

EZ Debug LED

これらのLEDはメモリモジュールが取り付けられたことを表示します。



LED色	状態
赤色 ■	CPUが検出されないか、または認識に失敗したことを示します。
黄色 ■	DRAMが検出されないか、または認識に失敗したことを示します。
白色 □	GPUが検出されないか、または認識に失敗したことを示します。
緑色 ■	ブートデバイスが検出されないか、または認識に失敗したことを示します。

OS、ドライバーおよびMSI Centerのインストール

www.msi.comから最新のユーティリティとドライバーをダウンロードしてアップデートしてください。

Windows 10 / Windows 11のインストール

1. PCの電源をオンにします。
2. Windows 10 / Windows 11のインストールメディアを光学ドライブに挿入します。
3. PCケースの**Restart**ボタンを押します。
4. POST (Power-On Self Test)中に**F11**キーを押し、ブートメニューに入ります。
5. ブートメニューから光学ドライブを選択します。
6. **Press any key to boot from CD or DVD...** というメッセージが表示されたら、任意のキーを押します。[スペースキーやEnterキーが無難です。] 表示されない場合、このステップを飛ばします。
7. 画面に表示される説明に従ってWindows 10 / Windows 11をインストールします。

MSI®ドライバーDVDでのドライバーのインストール

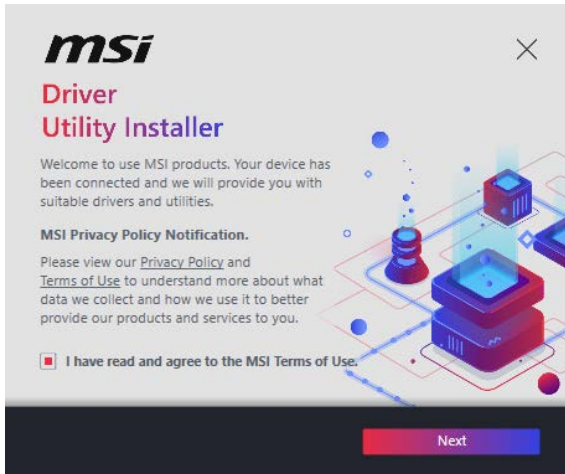
1. Windows 10/ Windows 11を起動させます。
2. MSI®ドライバーDVDを光学ドライブに挿入します。
3. 「**Select to choose what happens with this disc**」ポップアップ通知をクリックし、それから**Run DVDSetup.exe**を選択してインストーラーを開きます。Windowsコントロールパネルからの自動再生機能をオフにすると、ユーザーはまだMSIドライバーDVDのルートパスから**DVDSetup.exe**を手動で実行します。
4. インストーラーが自動的に起動し、必要な**ドライバー/ソフトウェア**を全部リストアップします。
5. **Install**ボタンをクリックします。
6. ソフトウェアのインストールが始まります。完了した後にシステムの再起動を促されます。
7. **OK**ボタンを押して、インストールを完了させます。
8. PCを再起動させます。

MSI Driver Utility Installerでのドライバーのインストール

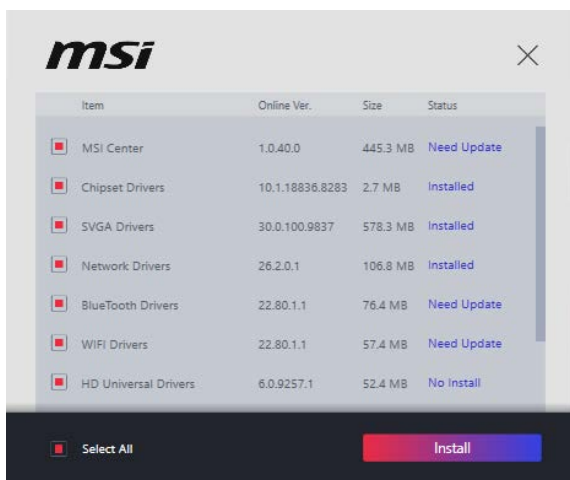


注意

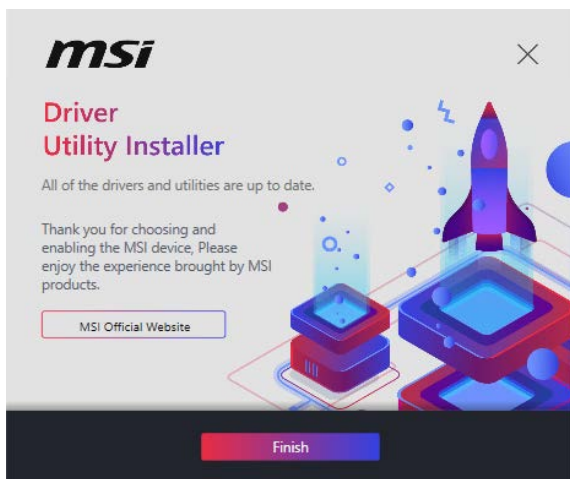
- 新しいネットワークチップの中には、Windows 10/ Windows 11にネイティブに対応していないものがあります。MSI Driver Utility Installerでドライバーをインストールする前に、LANドライバーをインストールすることを推奨します。LANドライバーのインストールについてはwww.msi.comからご参照ください。
 - MSI Driver Utility Installerは一度だけポップアップします。インストール中にMSI Driver Utility Installerをキャンセルしたり閉じたりした場合は、MSI CenterマニュアルのLive Updateの章を参照して、ドライバーをインストールしてください。www.msi.comからマザーボードを検索し、ドライバーをダウンロードすることもできます。
 - MSI Driver Utility Installerはインターネットでインストールする必要があります。
1. Windows 10/ Windows 11を起動させます。
 2. スタート > 設定 > **Windows Update**を選択し、更新プログラムの**確認**をクリックします。
 3. MSI Driver Utility Installerは自動的にポップアップします。



4. **I have read and agree to the MSI Terms of Use**チェックボックスを選択し、**Next**をクリックします。



5. 左下の**Select All**チェックボックスをチェックして**Install**をクリックし、MSI Centerとドライバーをインストールします。インストールの進行状況は下部に表示されます。



6. インストールが完了したら、**Finish**をクリックします。

MSI Center

MSI Centerはゲーム設定の最適化とコンテンツ作成ソフトの使用に役立つアプリケーションです。また、PCや他のMSI製品のLEDライトの効果を操作し、同期することができます。MSI Centerにより、モードをカスタマイズしたり、システムを管理やファンの回転速度を調整したりできます。

MSI Centerユーザーズガイド



MSI Centerの詳細情報は、

<http://download.msi.com/manual/mb/MSICENTER.pdf>

またはQRコードからアクセスしてください。



注意

機能はご購入した製品によって異なる場合があります。

UEFI BIOS

MSI UEFI BIOSはUEFI (Unified Extensible Firmware Interface)アーキテクチャと互換性があります。UEFIは、従来のBIOSでは実現できない新機能と利点を多く持っています、将来は完全にBIOSに取って代わることができます。MSI UEFI BIOSは、デフォルトのブートモードとしてUEFIを使用し、新しいチップセットの機能を最大限に活用することができます。



注意

ほかの説明がない限り、本ユーザマニュアルの用語のBIOSはUEFI BIOSを指します。

UEFIの利点

- クイック起動 - UEFIは直接にオペレーティングシステムを起動し、BIOSセルフテストプロセスを保存することができます。また、POST時にCSMモードに切り替えにかかる時間も排除します。
- 2 TBより大きいハードディスクドライブパーティションをサポートします。
- GUID Partition Table (GPT) 付きのプライマリパーティションを4つ以上にサポートします。
- 無制限のパーティションをサポートします。
- 新しいデバイスの全機能をサポート - 新しいデバイスは互換性がない場合があります。
- セキュリティ起動をサポート - UEFIは、オペレーティングシステムの有効性をチェックして、起動プロセスにはマルウェアがないことを確認します。

互換性のないUEFIケース

- **32ビットWindowsオペレーティングシステム** - このマザーボードはWindows 10/Windows 11 64ビットオペレーティングシステムのみをサポートします。
- **古いグラフィックカード** - システムはグラフィックカードを検出します。古いグラフィックカードを使用すると、このグラフィックカードにはGOP (Graphics Output Protocol) サポートを検出できませんの警告メッセージが表示されます。



注意

正常な機能を持つために、GOP / UEFI対応のグラフィックスカードに置き換えるか、CPUの統合グラフィックスを使用することを推奨いたします。

BIOSモードを確認する方法

1. PCの電源をオンにします。
2. 起動中に、「Press DEL key to enter Setup Menu, F11 to enter Boot Menu」というメッセージが表示されている間に<Delete>キーを押してください。
3. BIOSに入ったら、画面上部にBIOSモードがあります。

BIOS Mode: UEFI

BIOSの設定

BIOSのデフォルト設定は、通常の使用においてシステムの安定性のために最適な性能を提供します。ユーザーがBIOSに精通していない場合は、起こり得るシステムへのダメージや起動の失敗を防ぐために、常にデフォルト設定のままにすべきです。



注意

- BIOSは性能の向上のために、継続的に変更と修正が行われています。最新のBIOSと本書の内容に齟齬が発生してしまう場合があります。あらかじめご承知おきください。BIOSの設定項目の詳細はHELP情報パネルを参照してください。
- BIOSの画面、オプションと設定はシステムにより異なる場合があります。

BIOSセットアップ画面の起動

起動中に、「Press DEL key to enter Setup Menu, F11 to enter Boot Menu」というメッセージが表示されている間に<Delete>キーを押してください。

機能キー

- F1:** ヘルプを参照する
- F2:** お気に入り項目を追加/ 削除する
- F3:** お気に入りメニューに入る
- F4:** CPU仕様メニューに入る
- F5:** Memory-Zメニューに入る
- F6:** 工場出荷時の設定値に戻す
- F7:** アドバンスモードとEZモードの間に切り替える
- F8:** OCプロファイルをロードする
- F9:** OCプロファイルをセーブする
- F10:** 設定を保存して再起動させる*
- F12:** スクリーンショットが撮られ、USBメモリに保存されます [FAT/ FAT32フォーマットのみ]
- Ctrl+F:** 検索ページに入る

* <F10>キーを押すと確認ウィンドウが表示され、修正情報が表示されます。YesまたはNoを選択して確認してください。

BIOSユーザーズガイド



BIOSの設定の他の説明は、
<http://download.msi.com/manual/mb/Intel700BIOSjp.pdf>

またはQRコードからアクセスしてください。



注意

機能はご購入した製品によって異なる場合があります。

BIOSのリセット

特定の問題を解決するために、BIOSをデフォルト設定に戻す必要があります。BIOSのリセットにはいくつかの方法があります。

- BIOSセットアップ画面で<F6>キーを押して工場出荷時の設定値に戻します。
- マザーボード上の**クリアCMOS**ジャンパをショートする。



注意

CMOSデータをクリアする前に、必ずPCの電源がオフであることを確認してください。BIOSのリセットについては**クリアCMOS**ジャンパセクションをご参照ください。

BIOSのアップデート方法

M-FLASHでのBIOSアップデート

アップデートの前に:

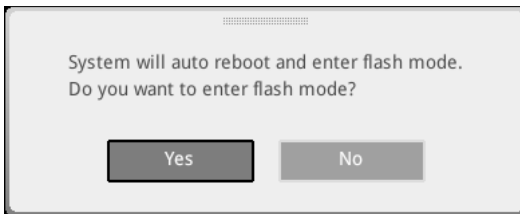
MSIのWEBサイトから最新のBIOSファイルをダウンロードし、USBメモリのルートフォルダにコピーします。

BIOSのアップデート:

1. マルチBIOSスイッチで標的BIOS ROMにスイッチします。マザーボードにこのスイッチがない場合は、このステップを飛ばします。
2. アップデートするBIOSイメージファイルを含むUSBメモリをマザーボードのUSBポートに挿入します。
3. 下記の方法でフラッシュモードに入ります。
 - POST中に<Ctrl + F5>キーを押して、Yesをクリックしてシステムを再起動させます。

Press <Ctrl+F5> to activate M-Flash for BIOS update.

- POST中に<Delete>キーを押してBIOSセットアップ画面に入ります。**M-FLASH**タブを選択し、Yesをクリックしてシステムを再起動させます。



4. BIOSイメージファイルの一つを選択し、BIOSアップデートのプロセスを開始させます。
5. ユーザーが促されると、**Yes**をクリックしてBIOSを回復します。
6. アップデートプロセスが完了した後、システムが自動的に再起動します。

MSI CenterでのBIOSアップデート

アップデートの前に:

- LANドライバーがインストールされ、インターネット接続が正しく設定されていることを確認してください。
- アップデートする前に、他のアプリケーションソフトをすべて閉じてください。

BIOSのアップデート:

1. MSI CENTERをインストールして起動させて、**Support**ページに入ります。
2. **Live Update**を選択して、**Advanced**ボタンをクリックします。
3. BIOSファイルを選択して、**Install**ボタンをクリックします。
4. インストールのリマインダーが表示されると、**Install**ボタンをクリックします。
5. システムが自動的に再起動してBIOSのアップデートを始めます。
6. アップデートプロセスが完了した後、システムが自動的に再起動します。

Flash BIOSボタンでのBIOSアップデート

1. MSIのWEBサイトから最新のBIOSファイルをダウンロードします。
2. BIOSファイルの名前をMSI.ROMに変更します。それをUSBストレージデバイスのルートフォルダにコピーします。
3. 電源を **CPU_PWR1**と**ATX_PWR1**コネクタに接続します。[電源ユニット以外を取り付ける必要はありません。]
4. MSI.ROMファイルを含むUSBストレージデバイスをリアI/Oパネルの**Flash BIOS**ポートに挿入します。
5. **Flash BIOS**ボタンを押すとBIOSの書き込みが始まり、LEDが点滅し始めます。
6. BIOSアップデートが完了するとLEDの点滅が止まり、オフになります。

목차

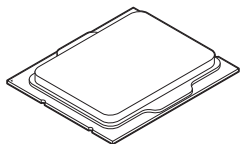
빠른 시작 설명서.....	3
사양.....	15
특수 기능.....	19
포장 내용물.....	20
후면 패널 커넥터.....	21
LAN 포트 LED 상태 표시.....	22
오디오 잭 연결.....	22
안테나 설치하기.....	24
구성품 개요.....	25
CPU 소켓.....	26
DIMM 슬롯.....	27
PCI_E1~4: PCIe 확장 슬롯.....	28
M2_1~4: M.2 슬롯 (Key M).....	29
SATA1~6: SATA 6Gb/s 커넥터.....	38
JAUD1: 전면 오디오 커넥터.....	38
JFP1, JFP2: 전면 패널 커넥터.....	39
CPU_PWR1~2, ATX_PWR1: 전원 커넥터.....	40
JCI1: 새시 침입 커넥터.....	41
JUSB5: USB 3.2 Gen 2 Type-C 전면 패널 커넥터.....	42
JUSB3~4: USB 3.2 Gen 1 커넥터.....	42
JUSB1~2: USB 2.0 커넥터.....	43
JTPM1: TPM 모듈 커넥터.....	43
JDASH1 : 튜닝 컨트롤러 커넥터.....	44
JTBT_U4_1: USB4 확장 카드 커넥터.....	44
CPU_FAN1, PUMP_FAN1, SYS_FAN1~6: 팬 커넥터.....	45
JBAT1: CMOS (Reset BIOS) 클리어 점퍼.....	46
BAT1: CMOS 배터리.....	47
JRGB1~2: RGB LED 커넥터.....	48
JARGB_V2_1~2: A-RAINBOW V2 (ARGB Gen2) LED 커넥터.....	49

EZ 디버그 LED	50
OS, 드라이버 & MSI Center 설치하기	51
MSI Driver Utility Installer로 드라이버 설치하기	52
UEFI BIOS.....	55
BIOS (바이오스) 설정.....	56
BIOS 리셋.....	57
BIOS 업데이트.....	57

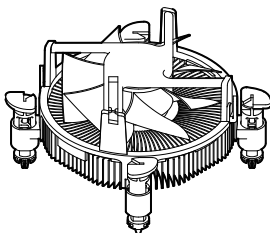
빠른 시작 설명서

MSI®의 새로운 메인보드를 구입해주셔서 감사합니다. 이 빠른 시작 섹션에서는 컴퓨터를 설치하는 방법에 대한 데모 다이어그램을 제공합니다. 일부 설치는 비디오 데모도 제공합니다. URL을 링크하여 휴대전화나 태블릿의 웹 브라우저로 시청하세요. QR 코드를 스캔하여 URL에 대한 링크를 가질 수도 있습니다.

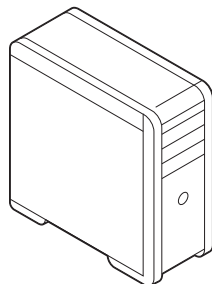
도구 및 구성 요소 준비



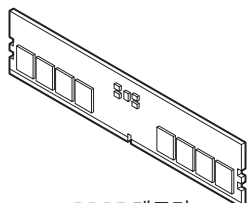
인텔® LGA1700 CPU



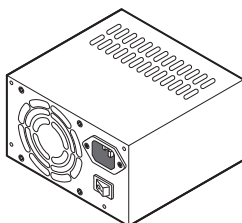
LGA1700 CPU 팬



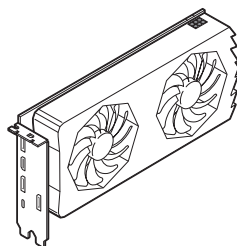
새시



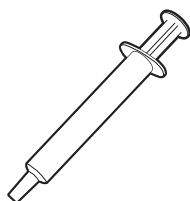
DDR5 메모리



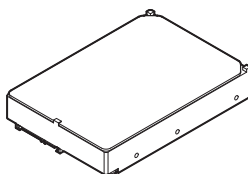
전원 공급 유닛



그래픽 카드



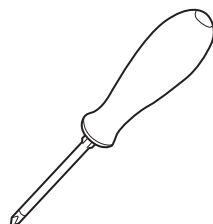
열 페이스트



SATA 하드 디스크 드라이브



나사 패키지



Phillips 나사드라이버

안전 지침

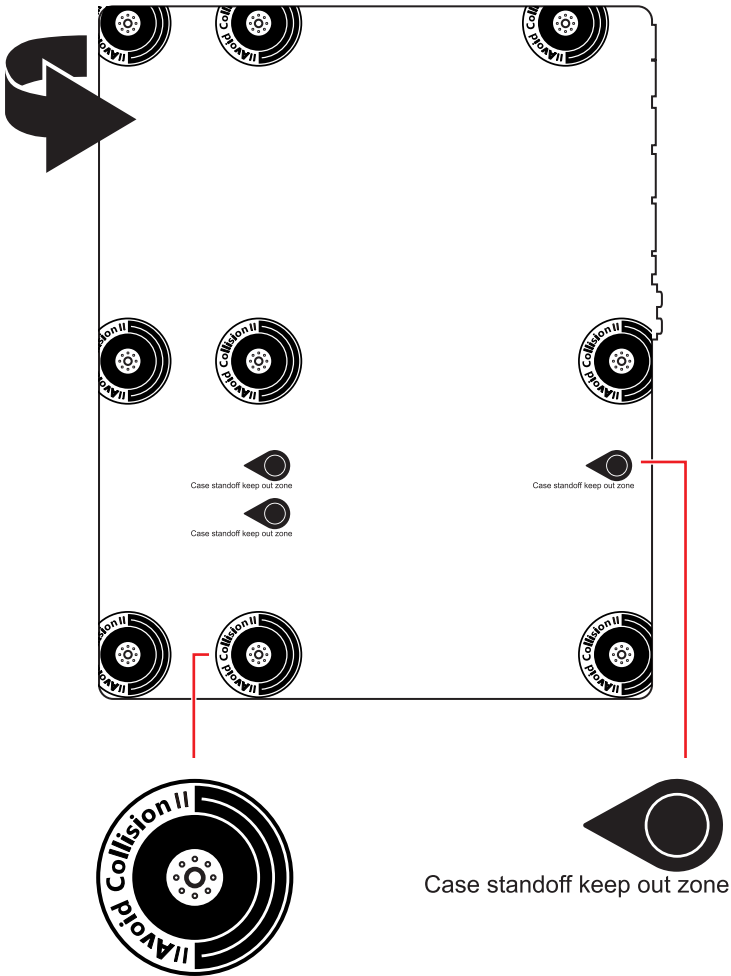
- 이 패키지에 포함된 부품은 정전기 방전(ESD)에 의해 파손될 우려가 있으므로 다음의 설명에 따라 컴퓨터를 조립하십시오.
- 모든 부품이 제대로 연결되었는지 확인하십시오. 제대로 연결되지 않을 경우, 컴퓨터가 부품을 인식하지 못하거나 컴퓨터를 켤 수가 없게 됩니다.
- 부품의 예리한 부분에 손을 다칠 수 있으므로 메인보드 취급시 가장자리 부분을 잡으십시오.
- 메인보드를 취급할 때 정전기로 인한 피해를 방지하기 위해 정전기 방전 ESD 손목 스트랩을 착용할 것을 권장합니다. ESD 손목 스트랩이 없을 경우, 다른 금속 물체를 접촉하는 방법으로 방전하십시오.
- 메인보드의 설치여부를 막론하고 메인보드를 정전 차폐 컨테이너 또는 정전기 방지 패드 위에 보관하십시오.
- 컴퓨터의 전원을 켜기 전에 메인보드 또는 컴퓨터 케이스에 느슨한 스크류 또는 금속 부품이 없는지 확인하십시오.
- 설치가 완료되기 전에 컴퓨터를 부팅하지 마십시오. 그럴 경우, 부품이 영구적으로 손상되거나 사용자가 다칠 수 있습니다.
- 설치 시 도움이 필요하다면 컴퓨터 기술자에게 도움을 요청하십시오.
- 컴퓨터 부품을 설치하거나 제거하기 전에 항상 시스템 전원을 끄고 전원 코드를 콘센트에서 분리합니다.
- 나중에 참조할 수 있도록 사용 설명서를 보관해두십시오.
- 메인보드를 습기가 있는 곳에서 사용하지 마십시오.
- PSU를 전원 콘센트에 연결하기 전에 전원 콘센트가 PSU에 표시된 전압과 동일한 전압을 제공하는지 확인하십시오.
- 전원 코드가 발에 밟히지 않도록 설치하십시오. 전원 코드 위에 물건을 올려놓지 마십시오.
- 메인보드에 표시된 모든 주의사항 및 경고를 유의하십시오.
- 다음 상황이 발생하면, 서비스 담당에게 장치 점검을 받으십시오.
 - 액체가 장치 안에 스며들었습니다.
 - 메인보드가 습기에 노출되었습니다.
 - 메인보드가 제대로 작동하지 않거나 사용 설명서에 따라 사용해도 작동되지 않습니다.
 - 메인보드가 떨어졌거나 손상되었습니다.
 - 메인보드가 확실히 파손될 우려가 있는 부분이 있습니다.
- 메인보드를 주변온도 60°C(140°F) 이상에 두지 마십시오. 메인보드가 손상될 수 있습니다.

케이스 스탠드 오프 알림

메인보드의 손상을 방지하기 위해 메인보드 회로와 컴퓨터 케이스 사이에 불필요한 장착 스탠드오프는 금지됩니다. 케이스 스탠드오프 유지 구역 표시판은 메인보드 뒷면(아래 그림 참조)에 표시되어 사용자에게 경고의 역할을 합니다.

충돌 방지 알림

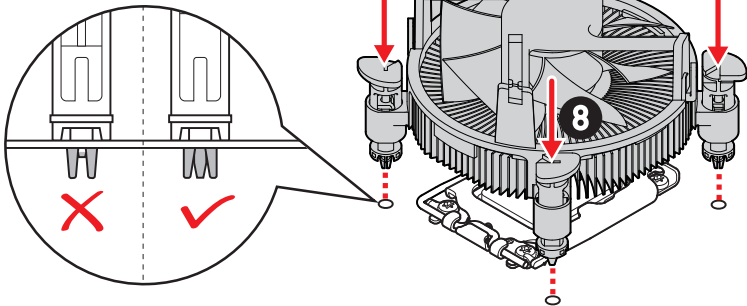
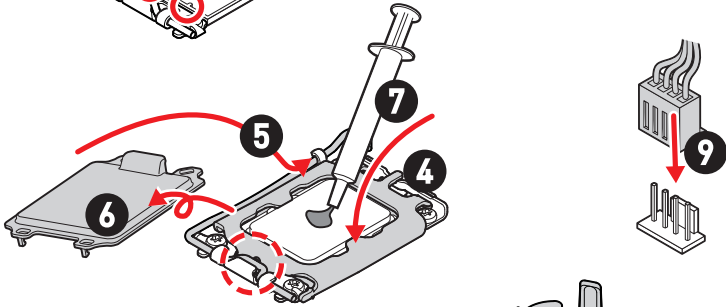
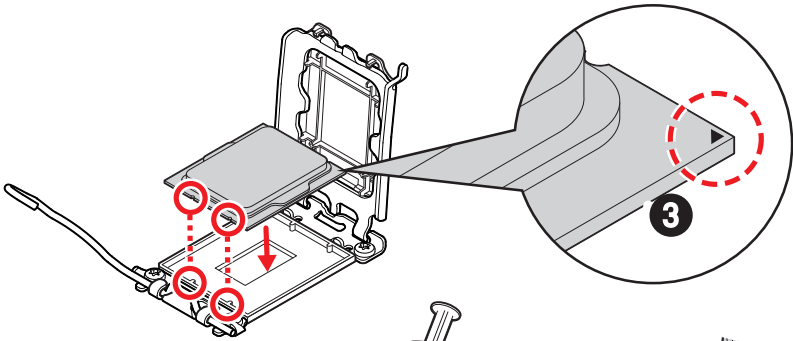
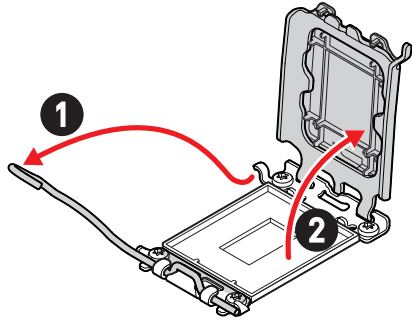
각 나사 구멍 주위에 보호 페인트가 인쇄되어 있어 부품이 굽히는 것을 방지합니다.



프로세서 설치하기



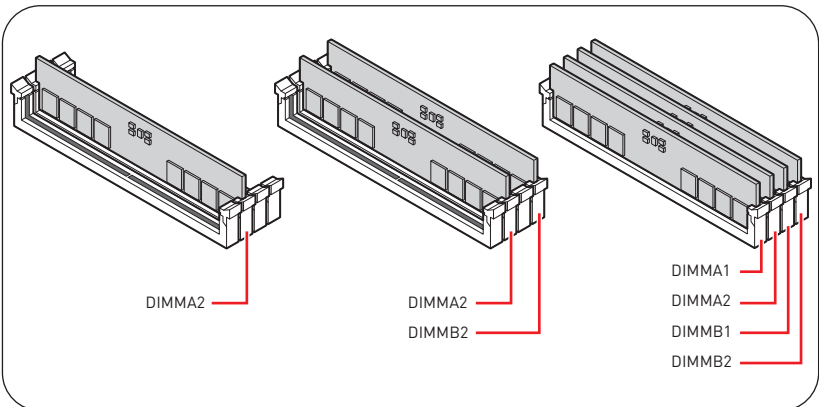
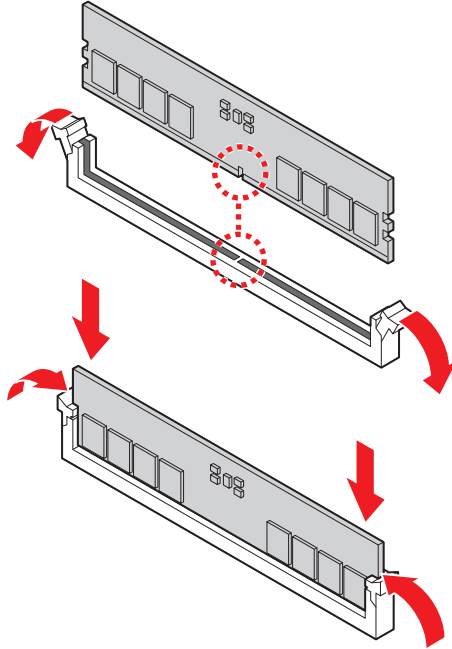
• <https://youtu.be/KMf9oIDsGes>



DDR5 메모리 설치하기



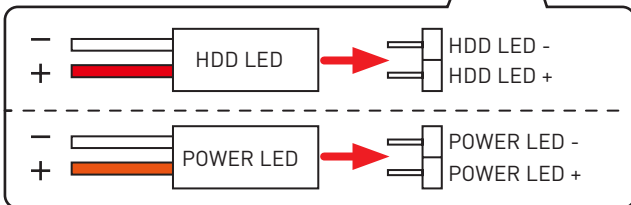
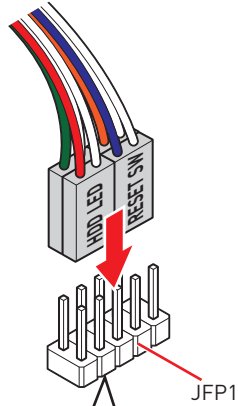
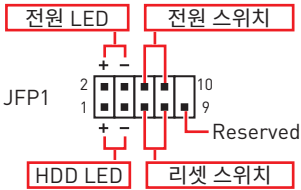
• <https://youtu.be/XiNmKDNZcZk>



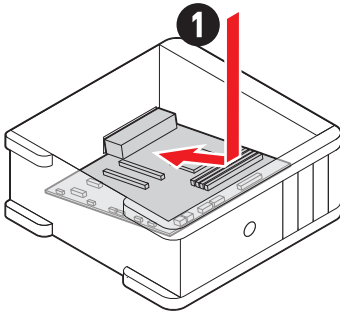
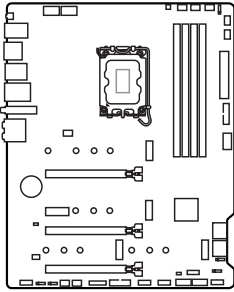
전원 패널 헤더 연결하기



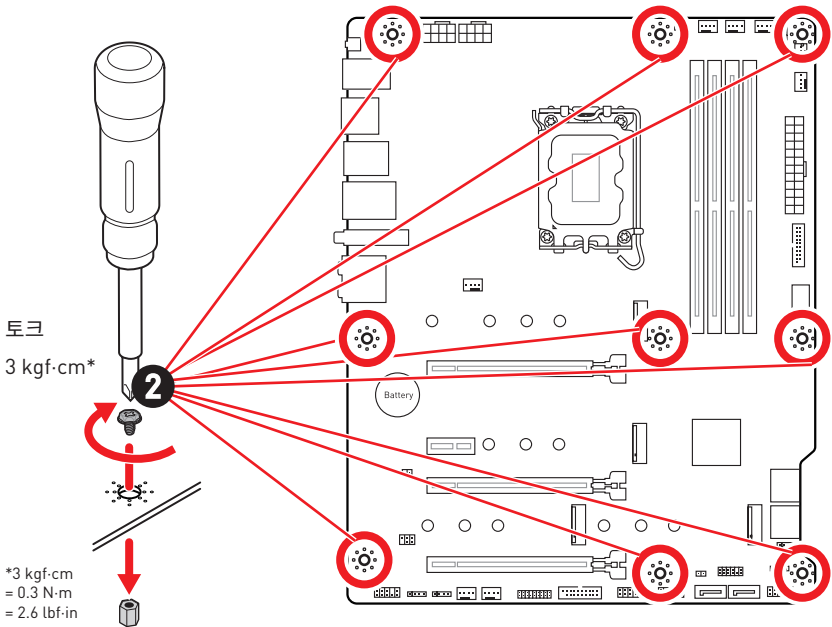
• <http://youtu.be/DPELIdVNZUI>



메인보드 설치하기



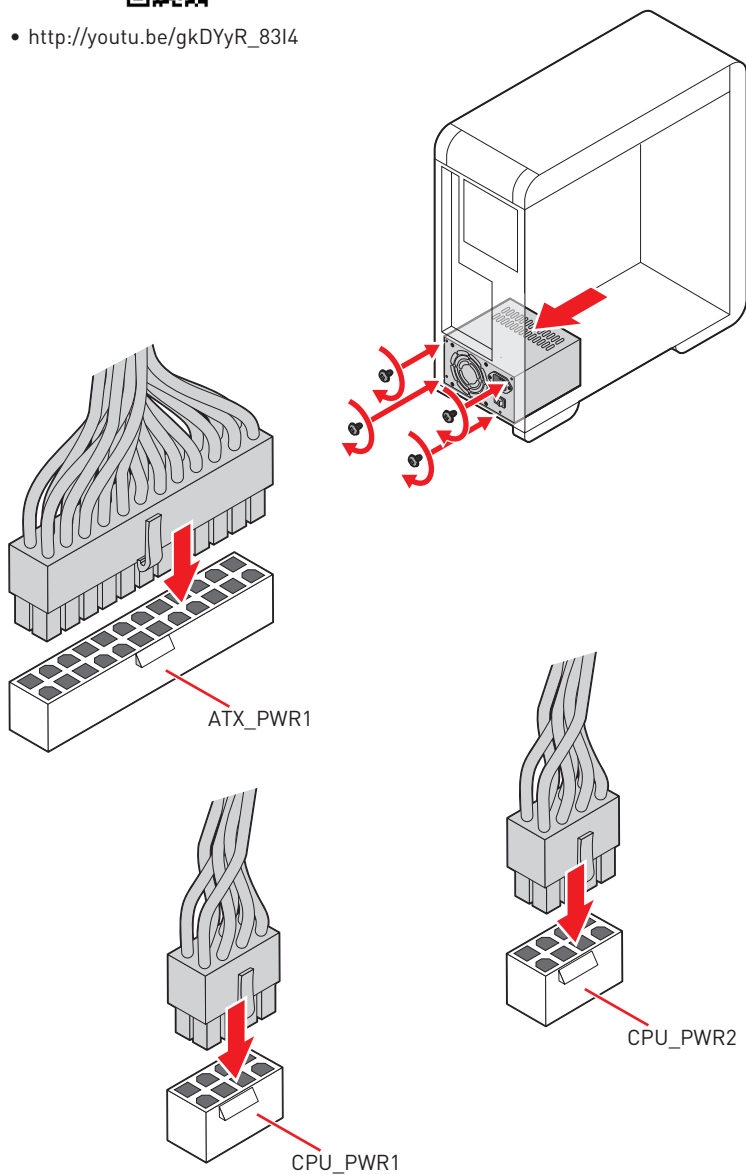
• <https://youtu.be/wWl6Qt51Wnc>



전원 커넥터 연결하기



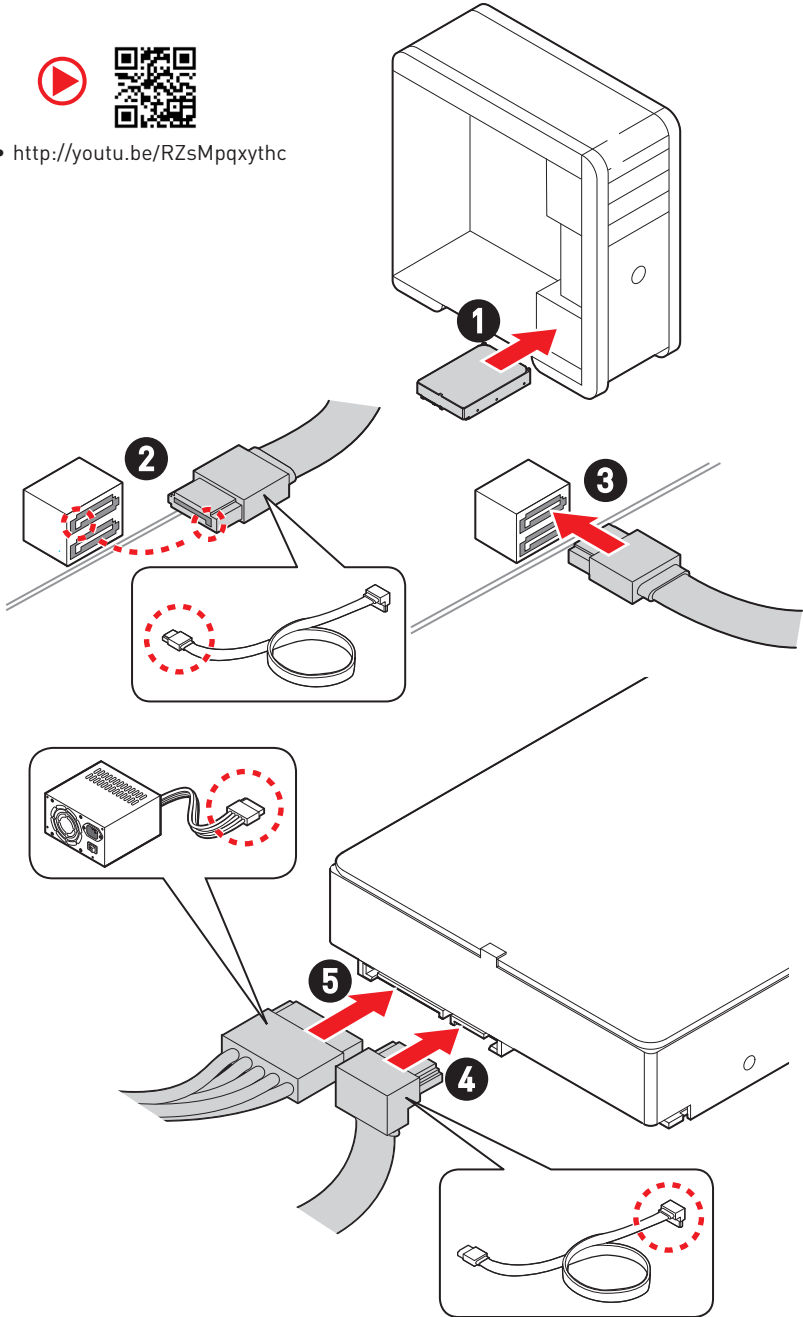
• http://youtu.be/gkDYyR_83l4



SATA 드라이브 설치하기



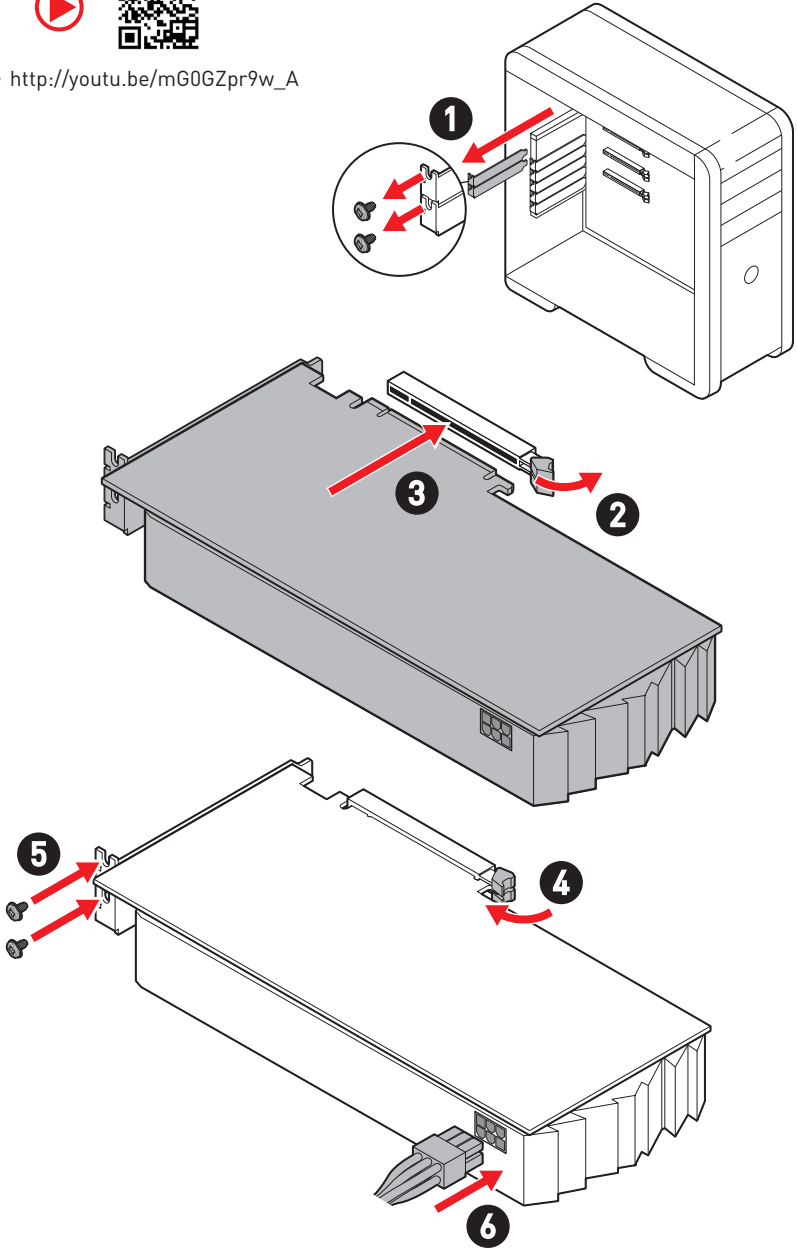
• <http://youtu.be/RZsMpqxythc>



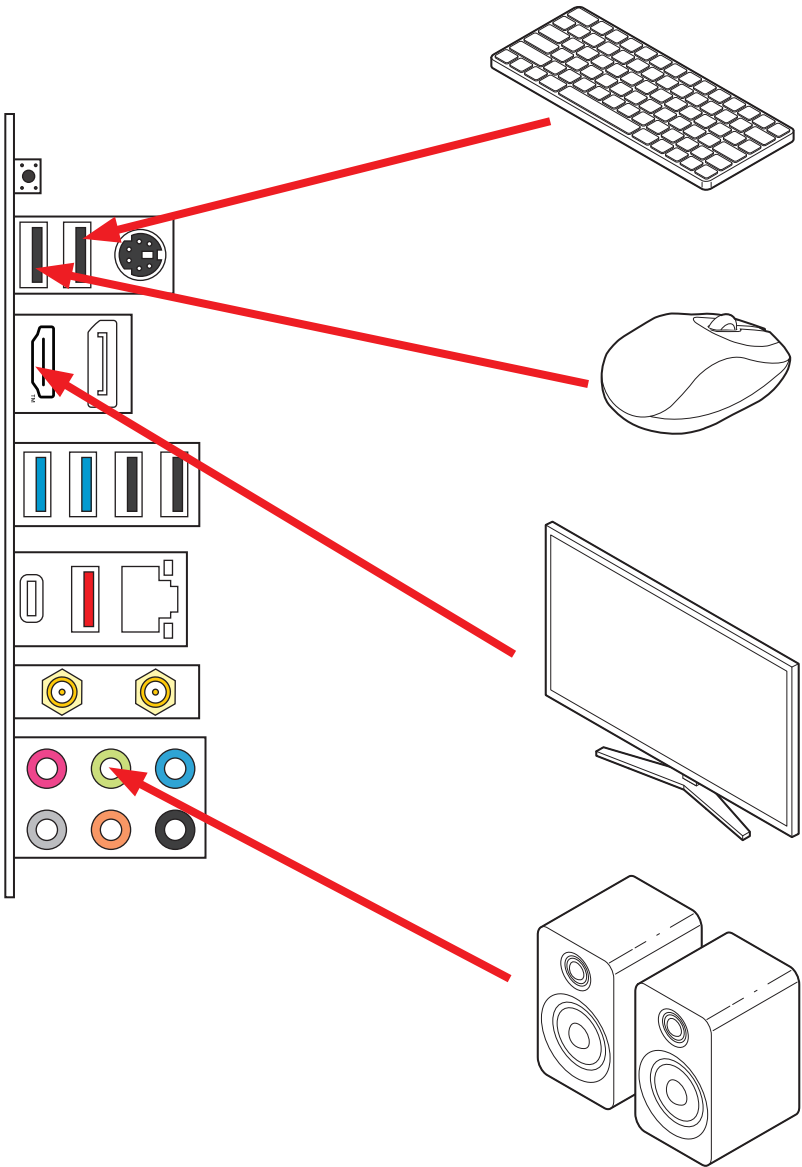
그래픽 카드 설치하기



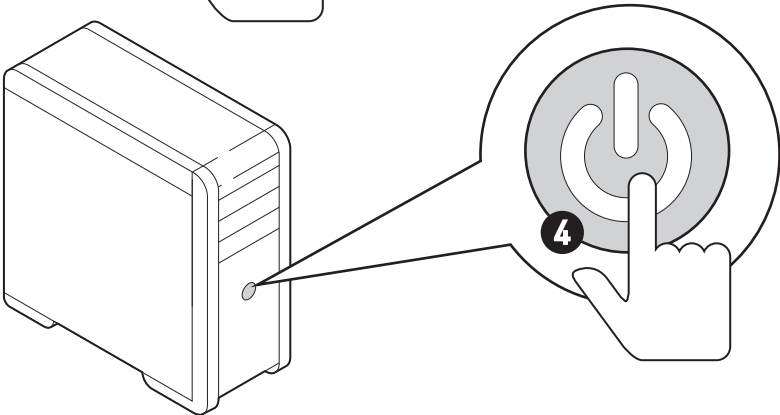
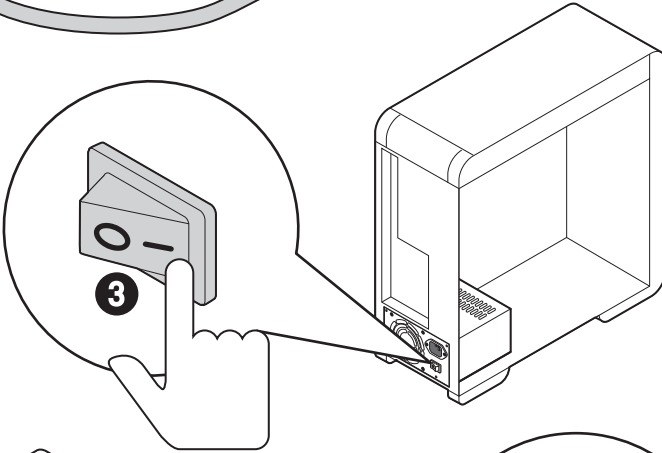
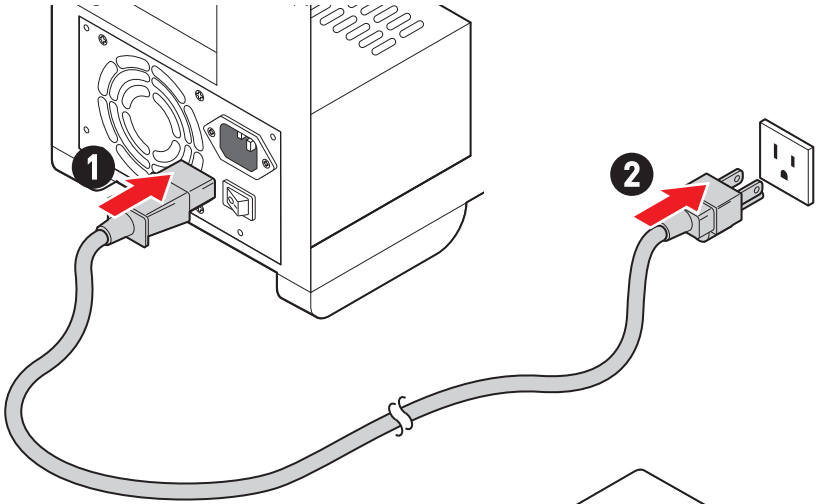
• http://youtu.be/mG0GZpr9w_A



주변기기 연결하기



전원 켜기



사양

CPU	<ul style="list-style-type: none"> • 인텔® 코어™ 12/13/14세대 프로세서, 인텔® 펜티엄® 골드 및 셀레론® 프로세서 지원* • 소켓 LGA1700 프로세서 <p>* 출시된 새 프로세서의 최신 지원 상태를 확인하려면 www.msi.com을 방문하십시오.</p>
칩셋	인텔® Z790 칩셋
메모리	<ul style="list-style-type: none"> • 4x DDR5 메모리 슬롯, 최대 192GB 지원* • 1R 5600 MHz (by JEDEC & POR) 지원 • 최대 오버클로킹 빈도수: <ul style="list-style-type: none"> • 1DPC 1R 최대 속도 7200+ MHz • 1DPC 2R 최대 속도 6600+ MHz • 2DPC 1R 최대 속도 6400+ MHz • 2DPC 2R 최대 속도 5600+ MHz • 인텔® XMP 3.0 OC 지원 • 듀얼 컨트롤러 듀얼 채널 모드 지원 • non-ECC, un-buffered 메모리 지원 <p>*호환 가능한 메모리에 대한 자세한 정보는 www.msi.com을 방문하여 알아보시기 바랍니다.</p>
확장 슬롯	<ul style="list-style-type: none"> • 3x PCIe x16 슬롯 <ul style="list-style-type: none"> • PCI_E1 슬롯 (CPU) <ul style="list-style-type: none"> • 최대 PCIe 5.0 x16 지원 • PCI_E3 & PCI_E4 슬롯 (Z790 칩셋) <ul style="list-style-type: none"> • PCI_E3 최대 PCIe 4.0 x4 지원 • PCI_E4 최대 PCIe 3.0 x1 지원 • 1x PCIe x1 슬롯 (Z790 칩셋) <ul style="list-style-type: none"> • PCI_E2 최대 PCIe 3.0 x1 지원
온보드 그래픽	<ul style="list-style-type: none"> • 1x HDR를 가진 HDMI™ 2.1 포트, 최대 4K 60 Hz 해상도 지원*/** • 1x HBR2를 가진 디스플레이포트1.4 포트, 최대 4K 60Hz 해상도 지원*/** <p>* 통합 그래픽이 내장된 프로세서에 사용할 수 있습니다 .</p> <p>** 지원되는 사양은 설치된 CPU 에 따라 다릅니다 .</p>
SATA 포트	<ul style="list-style-type: none"> • 6x SATA 6Gb/s 포트 (Z790 칩셋)

다음 페이지에서 계속

이전 페이지로부터 계속

<p>M.2 SSD 슬롯</p>	<ul style="list-style-type: none"> • 4x M.2 슬롯 (Key M) <ul style="list-style-type: none"> • M2_1 슬롯 (CPU) <ul style="list-style-type: none"> • 최대 PCIe 4.0 x4 지원 • 2242/ 2260/ 2280/ 22110 저장 장치 지원 • M2_2 슬롯 (Z790 칩셋) <ul style="list-style-type: none"> • 최대 PCIe 4.0 x4 지원 • 2242/ 2260/ 2280 저장 장치 지원 • M2_3 슬롯 (Z790 칩셋) <ul style="list-style-type: none"> • 최대 PCIe 4.0 x4 지원 • SATA 6Gb/s 지원 • 2242/ 2260/ 2280 저장 장치 지원 • M2_4 슬롯 (Z790 칩셋) <ul style="list-style-type: none"> • 최대 PCIe 4.0 x4 지원 • SATA 6Gb/s 지원 • 2242/ 2260/ 2280 저장 장치 지원
<p>RAID</p>	<ul style="list-style-type: none"> • RAID 0, RAID 1, RAID 5 및 RAID 10 (SATA 저장 장치) 지원 • RAID 0, RAID 1, RAID 5 및 RAID 10 (M.2 NVMe 저장 장치) 지원
<p>오디오</p>	<p>Realtek® ALC897 코덱</p> <ul style="list-style-type: none"> • 7.1-채널 HD 오디오
<p>LAN</p>	<ul style="list-style-type: none"> • 1x 인텔® 2.5Gbps LAN 컨트롤러
<p>Wi-Fi & 블루투스®</p>	<p>인텔® Wi-Fi 6E</p> <ul style="list-style-type: none"> • 무선 모듈은 M.2 (Key-E) 슬롯에 미리 설치되어 있습니다. • MU-MIMO TX/RX, 2.4GHz/ 5GHz/ 6GHz* (160MHz) 최대 2.4Gbps 지원 • 802.11 a/ b/ g/ n/ ac/ ax 지원 • 블루투스® 5.3**, FIPS, FISMA 지원 <p><small>* Wi-Fi 6GHz 대역의 사용은 Windows 11 지원에 의존하며 모든 국가의 규정에 따라 다릅니다.</small></p> <p><small>** 블루투스 버전이 업데이트 될 수 있으니 자세한 내용은 Wi-Fi 칩셋 제조사 홈페이지를 참고하시기 바랍니다.</small></p>

다음 페이지에서 계속

이전 페이지로부터 계속

전원 커넥터	<ul style="list-style-type: none">• 1x 24핀 ATX 메인 전원 커넥터• 2x 8핀 +12V 전원 커넥터
내장 USB 커넥터	<ul style="list-style-type: none">• 1x USB 3.2 Gen 2 10Gbps Type-C 전면 패널 포트 (Z790 칩셋)• 2x USB 3.2 Gen 1 5Gbps 커넥터 (Z790 칩셋)<ul style="list-style-type: none">• 외 4 USB 3.2 Gen 1 5Gbps 포트 지원• 2x USB 2.0 커넥터 (Hub-GL850G)<ul style="list-style-type: none">• 외 4 USB 2.0 포트
팬 커넥터	<ul style="list-style-type: none">• 1x 4핀 CPU 팬 커넥터• 1x 4핀 워터 펌프 팬 커넥터• 6x 4핀 시스템 팬 커넥터
시스템 커넥터	<ul style="list-style-type: none">• 1x 전면 패널 오디오 커넥터• 2x 시스템 패널 커넥터• 1x 새시 침입 커넥터• 1x TPM 모듈 커넥터• 1x 튜닝 컨트롤러 커넥터• 1x USB4 확장 카드 커넥터 (RTD3 지원)
점퍼	<ul style="list-style-type: none">• 1x CMOS 클리어 점퍼
LED 기능	<ul style="list-style-type: none">• 4x EZ 디버그LED• 2x 4핀 RGB LED 커넥터• 2x 3핀 A-RAINBOW V2 (ARGB Gen2) LED 커넥터

다음 페이지에서 계속

이전 페이지로부터 계속

<p>후면 패널 커넥터</p>	<ul style="list-style-type: none"> • 1x 플래쉬 BIOS 버튼 • 1x PS/2 포트 • 4x USB 2.0 Type-A 포트 (Z790 칩셋) • 1x 디스플레이포트 • 1x HDMI™ 포트 • 1x LAN (RJ45) 포트 • 2x USB 3.2 Gen 1 5Gbps Type-A 포트 (Z790 칩셋) • 1x USB 3.2 Gen 2 10Gbps Type-A 포트 (Z790 칩셋) • 1x USB 3.2 Gen 2x2 20Gbps Type-C 포트 (Z790 칩셋) • 2x Wi-Fi 안테나 커넥터 • 6x 오디오 잭
<p>I/O 컨트롤러</p>	<p>NUVOTON NCT6687 컨트롤러 칩</p>
<p>하드웨어 모니터</p>	<ul style="list-style-type: none"> • CPU/시스템/칩셋 온도 감지 • CPU/ 시스템/펌프 팬 속도 감지 • CPU/ 시스템/펌프 팬 속도 제어
<p>폼 팩터</p>	<ul style="list-style-type: none"> • ATX 폼 팩터 • 244 mm x 305 mm (9.6 in. x 12 in.)
<p>BIOS 기능</p>	<ul style="list-style-type: none"> • 1x 256 Mb flash • UEFI AMI BIOS • ACPI 6.4, SMBIOS 3.5 • 다국어
<p>소프트웨어</p>	<ul style="list-style-type: none"> • 드라이버 • MSI Center • 인텔 익스트림 튜닝 유틸리티 • CPU-Z MSI 게이밍 • Norton 360 • AIDA64 Extreme - MSI 에디션 • Adobe Creative Cloud • Acrobat

특수 기능

MSI Center

- 미스틱 라이트
- 엠비언트 링크
- 프로저 시 쿨링
- 사용자 시나리오
- True Color
- 라이브 업데이트
- 하드웨어 모니터
- 슈퍼 차저
- 장치 속도 향상
- 스마트 이미지 파인더
- MSI 컴패니언
- 시스템 진단

열 특징

- 확장된 히트싱크 디자인
- M.2 쉴드 프로저
- K7 MOSFET 열 패드 / 엑스트라 초크 패드
- 팬 헤더 (CPU + PUMP + SYSTEM)

성능

- 코어 부스트
- VRM 전원 디자인 (VCPU / VGT / AUX)
- 듀얼 CPU 전원
- 메모리 부스트
- 라이트닝 Gen 5 PCI-E
- 라이트닝 Gen 4 PCI-E / M.2 슬롯
- 전면 USB Type-C
- 서버 그레이드 PCB
- 2oz Copper thickened PCB

DIY 친화적

- PCI-E 스틸 아머
- EZ M.2 클립
- EZ 디버그 LED
- EZ LED 컨트롤
- 플래쉬 BIOS 버튼
- 사전 설치된 I/O 쉴드

오디오

- 오디오 부스트

RGB 지원

- 미스틱 라이트 익스텐션 (RGB)
- 미스틱 라이트 익스텐션 (A-RAINBOW V2)
- 엠비언트 링크

BIOS

- 클릭 BIOS 5

포장 내용물

메인보드 패키지의 내용물을 확인하십시오. 다음 품목들이 패키지에 들어 있어야 합니다:

보드

- 1x 메인보드

서류

- 1x 빠른 설치 설명서
- 1x 유러피안 유니온 규제 지침

애플리케이션

- 1x 드라이버 DVD

케이블

- 2x SATA 6Gb/s 케이블

약세사리

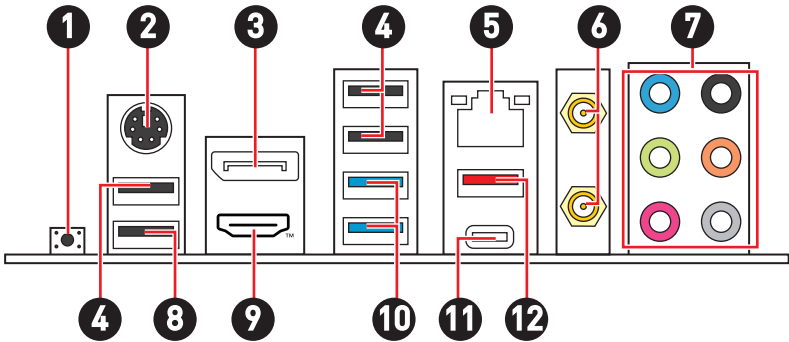
- 1x Wi-Fi 안테나 세트
- 2x EZ M.2 클립 패키지 (1 세트/팩)
- 1x M.2 나사 및 스탠드오프 패키지 (1 세트/팩)



중요사항

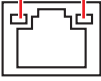
위 항목 중 하나라도 손상되었거나 누락되었다면 대리점에 문의하십시오.

후면 패널 커넥터



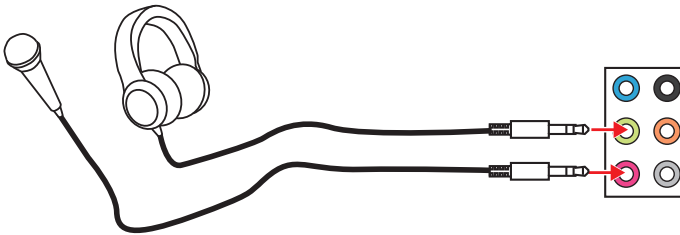
아이템	설명
1	플래쉬 BIOS 버튼
2	PS/2 포트
3	디스플레이포트
4	USB 2.0 Type-A 포트 (Z790 칩셋)
5	2.5 Gbps LAN(RJ45) 잭
6	Wi-Fi 안테나 커넥터
7	오디오 잭
8	USB 2.0 Type-A 포트 (Z790 칩셋) • 플래쉬 BIOS 버튼
9	HDMI™ 포트 HDMI™ <small>HIGH-DEFINITION MULTIMEDIA INTERFACE</small>
10	USB 3.2 Gen 1 5Gbps Type-A 포트 (Z790 칩셋)
11	USB 3.2 Gen 2x2 20Gbps Type-C 포트 (Z790 칩셋)
12	USB 3.2 Gen 2 10Gbps Type-A 포트 (Z790 칩셋)

LAN 포트 LED 상태 표시

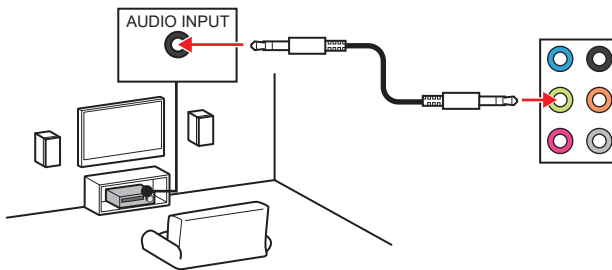
링크/ 작동 LED			속도 LED	
상태	설명		상태	속도
꺼짐	연결되지 않음.		꺼짐	10 Mbps
노란색	LAN이 올바르게 연결되었음.		녹색	100/1000 Mbps
깜빡임	정상적인 통신중.		오렌지색	2.5 Gbps

오디오 잭 연결

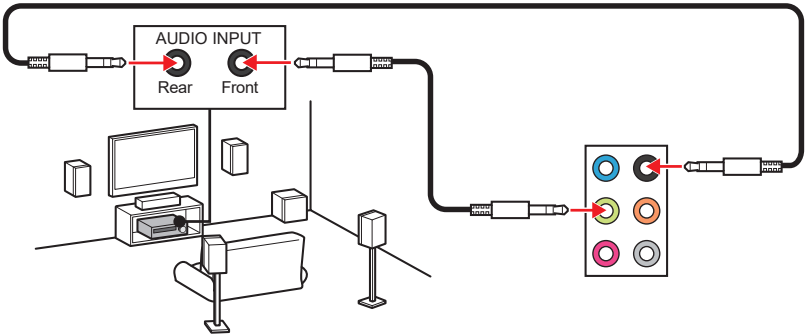
헤드폰 및 마이크용 오디오 잭 도표



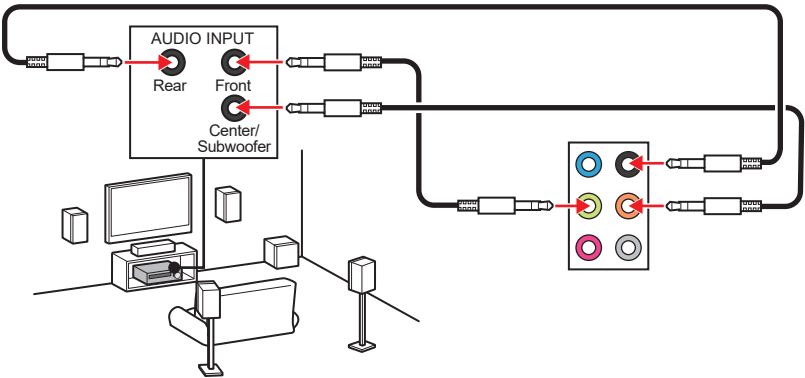
스테레오 스피커용 오디오 잭 도표



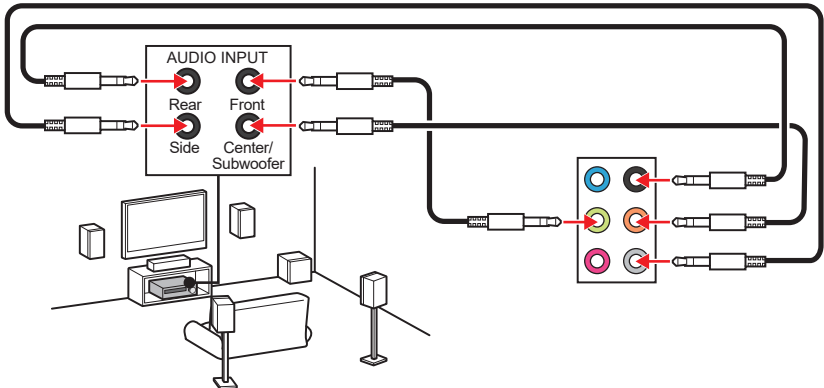
4-채널 스피커용 오디오 잭 도표



5.1-채널 스피커용 오디오 잭 도표

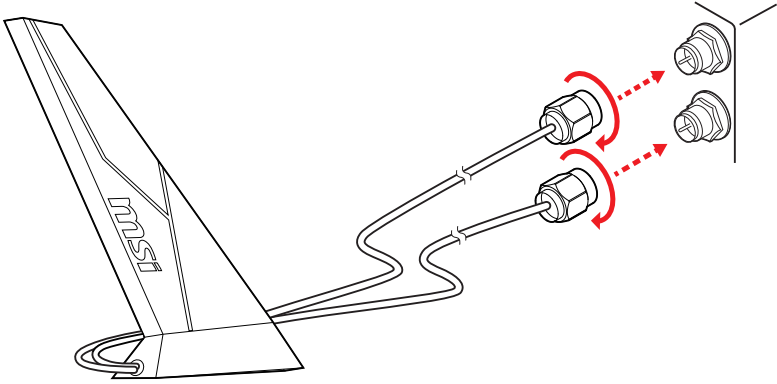


7.1-채널 스피커용 오디오 잭 도표

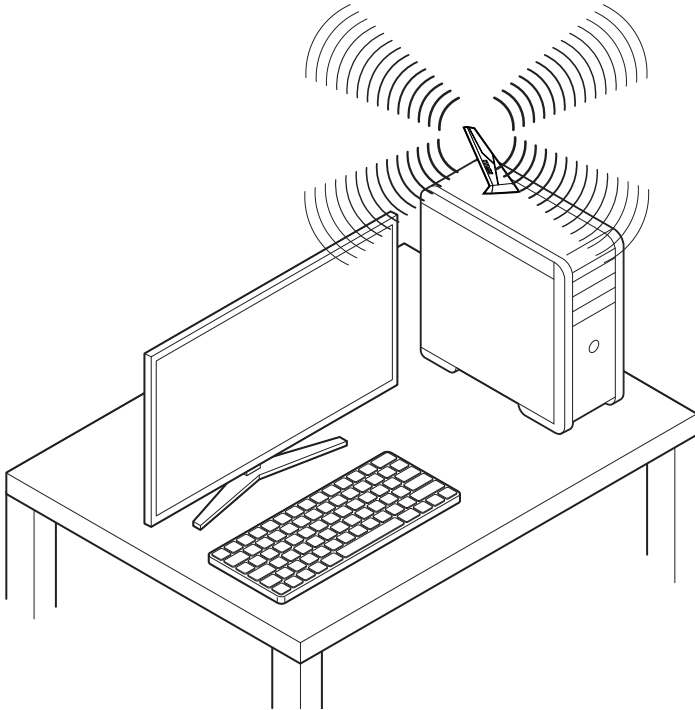


안테나 설치하기

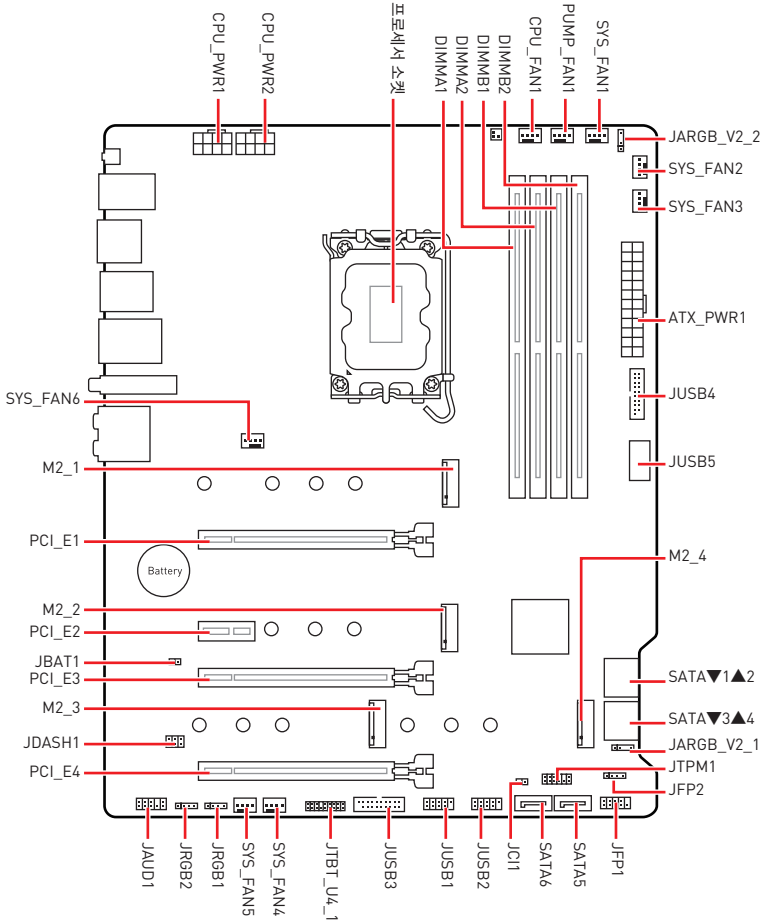
1. 아래와 같이 2 개의 안테나 케이블을 WiFi 안테나 커넥터에 나사로 단단히 고정합니다.



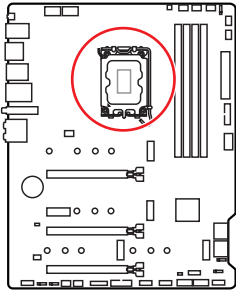
2. 안테나를 가능한 한 높은 곳에 배치합니다.



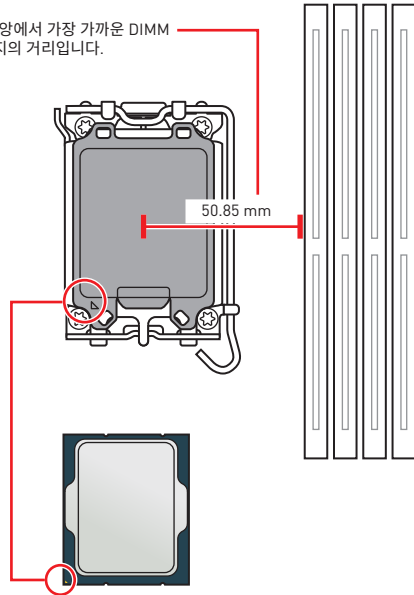
구성품 개요



CPU 소켓



CPU 중앙에서 가장 가까운 DIMM 슬롯까지의 거리입니다.



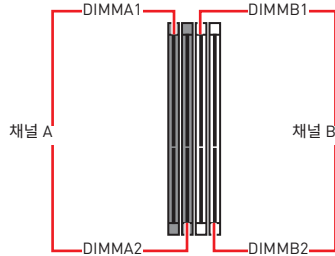
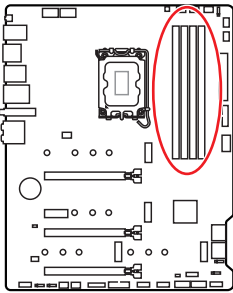
LGA1700 CPU 소개

LGA1700 CPU의 표면에는 4개의 노치와 1개의 금색 삼각형이 있어 메인보드를 배치할 때 CPU를 올바르게 정렬할 수 있습니다. 금색 삼각형은 핀 1 표시기입니다.

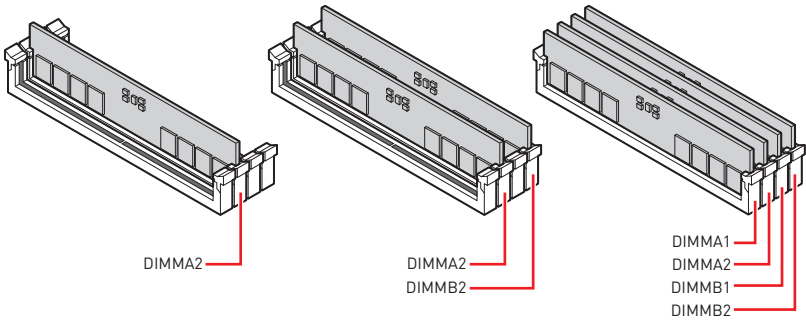
⚠️ 중요사항

- CPU를 설치하거나 제거하기 전에 전원 코드를 콘센트에서 뽑아주시기 바랍니다.
- 프로세서를 설치한 후, CPU 보호 캡을 보관하시기 바랍니다. 반품시 메인보드와 CPU 소켓 보호 캡이 함께 제공되어야만 MSI에서 반품(RMA) 요청 처리를 진행할 수 있습니다.
- CPU 설치시, CPU 히트싱크를 반드시 설치하세요. CPU 히트싱크는 과열을 방지하고 시스템 성능을 유지하는데 꼭 필요합니다.
- 시스템을 부팅하기 전에 CPU 히트싱크가 단단히 설치되었는지 확인합니다.
- 과열은 CPU와 시스템을 심각하게 손상시킬 수 있습니다. CPU가 과열되지 않도록 쿨러팬이 제대로 작동하고 있는지 항상 확인하세요. 열이 잘 발산되도록 CPU와 방열판 사이에 서멀 페이스트(또는 서멀 테이프)를 고르게 발라주세요.
- CPU가 설치되어 있지 않은 경우, 손상되지 않도록 항상 플라스틱 캡으로 CPU 소켓 핀을 보호하세요.
- CPU와 히트싱크/쿨러를 별도로 구입하였을 경우, 설치에 대한 자세한 내용은 히트싱크/쿨러 패키지에 있는 설명서를 참조하세요.
- 이 메인보드는 오버클로킹을 지원하도록 디자인 되었습니다. 오버클럭하기 전에 오버클로킹 기능을 실행하는 동안 여타 부품이 오버클럭 설정을 사용할 수 있는지 확인하세요. 제품 스펙을 초과하는 범위에서는 작동하지 마세요. MSI®는 올바르게 않은 작동이거나 제품 스펙을 초과하는 범위에서 작동하여 발생한 손상이나 위험은 보장하지 않습니다.

DIMM 슬롯



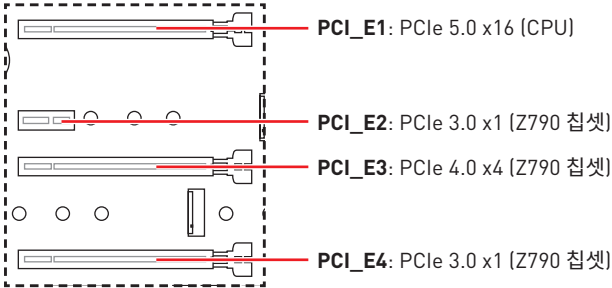
메모리 모듈 설치 (추천)



! 중요사항

- 항상 **DIMMA2** 슬롯에 메모리 모듈을 먼저 삽입하세요.
- 듀얼 채널 모드의 시스템 안정성을 보장하려면 동일한 타입과 용량의 메모리 모듈을 사용해야 합니다.
- 메모리 주파수는 Serial Presence Detect (SPD)에 의해 작동하기 때문에 오버클로킹시 일부 메모리는 표시된 값보다 낮은 주파수에서 작동합니다. 표시된 값(포함)보다 높은 주파수에서 메모리를 작동하려면 BIOS로 이동하여 **DRAM Frequency** 항목에서 메모리 주파수를 설정하세요.
- 풀 DIMM 설치 또는 오버클로킹을 위해 보다 효율적으로 메모리 냉각 시스템을 사용할 것을 권장합니다.
- 오버클로킹시의 안정성과 설치된 메모리 모듈의 호환성은 설치된 CPU 및 장치에 따라 달라집니다.
- 호환 가능한 메모리에 대한 자세한 정보는 www.msi.com을 방문하여 알아보시기 바랍니다.

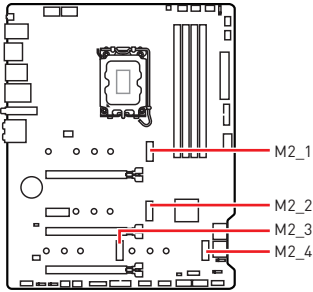
PCI_E1~4: PCIe 확장 슬롯



중요사항

- 크고 무거운 그래픽 카드를 설치할 경우, 그래픽 카드를 안전하게 지지하여 슬롯의 변형을 방지하기 위해 **MSI 그래픽 카드 지지대**와 같은 장치를 사용하시면 더욱 안전합니다.
- 하나의 PCIe x16 확장 카드를 설치하여 최적의 효과를 원하신다면 **PCI_E1** 슬롯을 사용할 것을 추천합니다.
- 확장 카드를 추가하거나 제거할 때 먼저 전원을 끄거나 전원 코드를 콘센트에서 뽑으세요. 확장 카드에 대해 필요한 하드웨어나 소프트웨어 변경에 대하여 알려면 확장카드 설명서를 읽으세요.

M2_1~4: M.2 슬롯 (Key M)

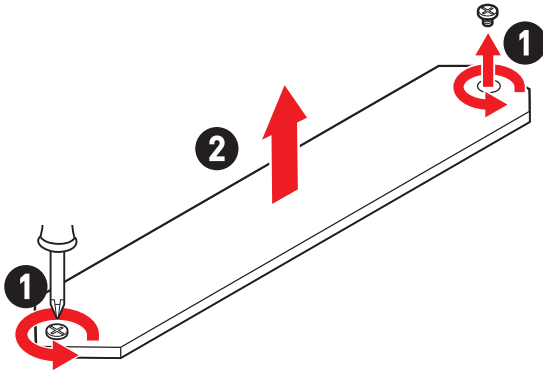


중요사항

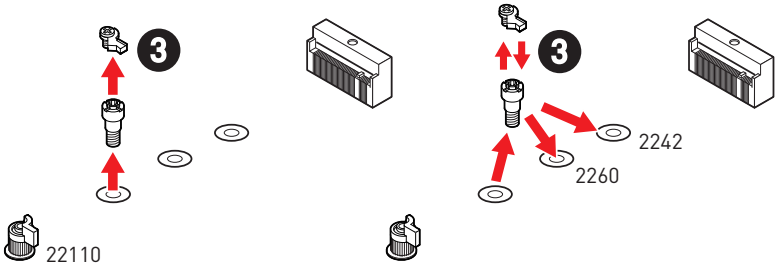
- 인텔® RST는 UEFI ROM이 있는 PCIe M.2 SSD 만 지원합니다.
- M.2 SSD에 자체 히트싱크가 있는 경우 M.2 SSD 를 설치하기 전에 M.2 슬롯에서 M.2 플레이트 또는 고무 큐브를 제거하십시오. 메인보드와 함께 제공된 히트싱크를 다시 설치하지 마십시오.

M2_1 슬롯에 M.2 모듈 설치

1. M.2 쉴드 FROZR 히트싱크의 나사를 풀어 줍니다.
2. M.2 쉴드 Frozr 히트싱크를 들어 올려 제거합니다.

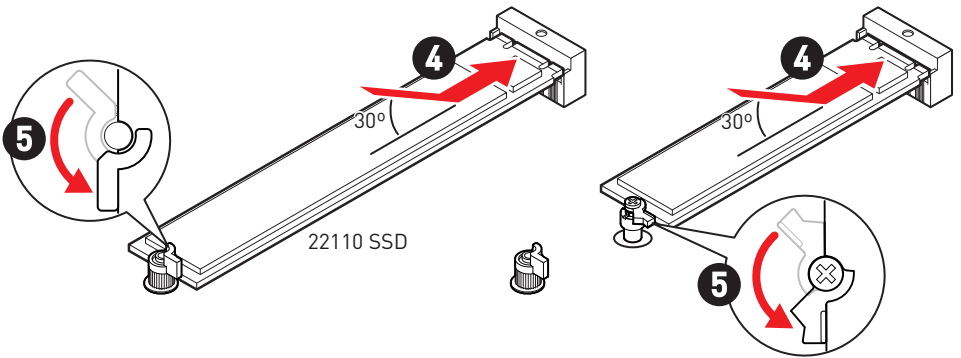


3. SSD 길이에 따라 나사를 제거하거나 교체하십시오. 2280 SSD를 설치한 경우, 이 단계를 건너뛰십시오.

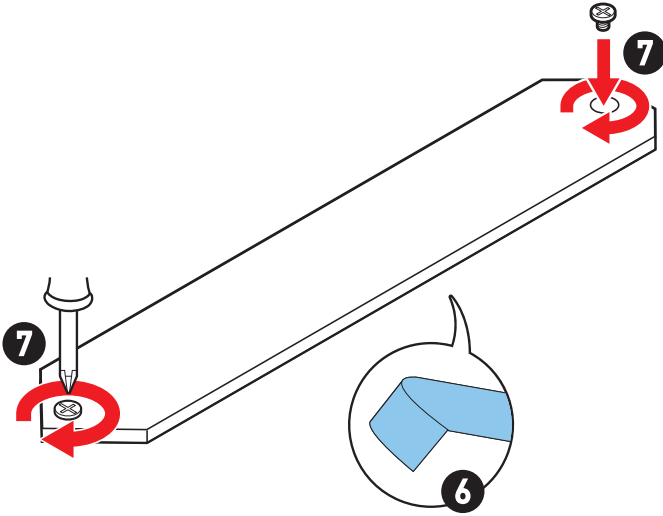


4. M.2 SSD를 M.2 슬롯에 30도 각도로 삽입합니다.

5. EZ M.2 클립을 돌려 M.2 SSD를 고정합니다.

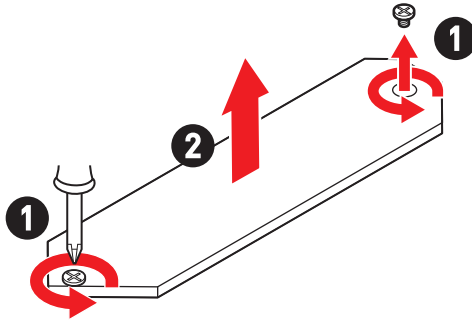


6. M.2 쉴드 Frozr 히트싱크 아래의 열 패드에서 보호 필름을 제거합니다.
7. M.2 쉴드 Frozr 히트싱크를 제자리에 놓고 고정합니다.

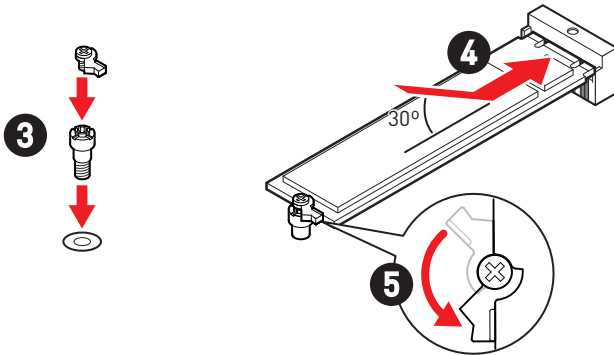


M2_2 슬롯에 M.2 모듈 설치

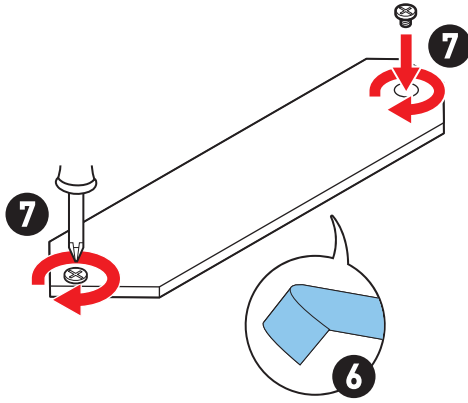
1. M.2 쉴드 Frozr 히트싱크의 나사를 풀어 줍니다.
2. M.2 쉴드 Frozr 히트싱크를 들어 올려 제거합니다.



3. 제공된 EZ M.2 클립을 SSD 길이에 따라 설치하십시오. 2280 SSD를 설치한 경우 이 단계를 건너뛰십시오.
4. M.2 SSD를 M.2 슬롯에 30도 각도로 삽입합니다.
5. EZ M.2 클립을 돌려 M.2 SSD를 고정합니다. 2280 SSD를 설치한 경우 이 단계를 건너뛰십시오.

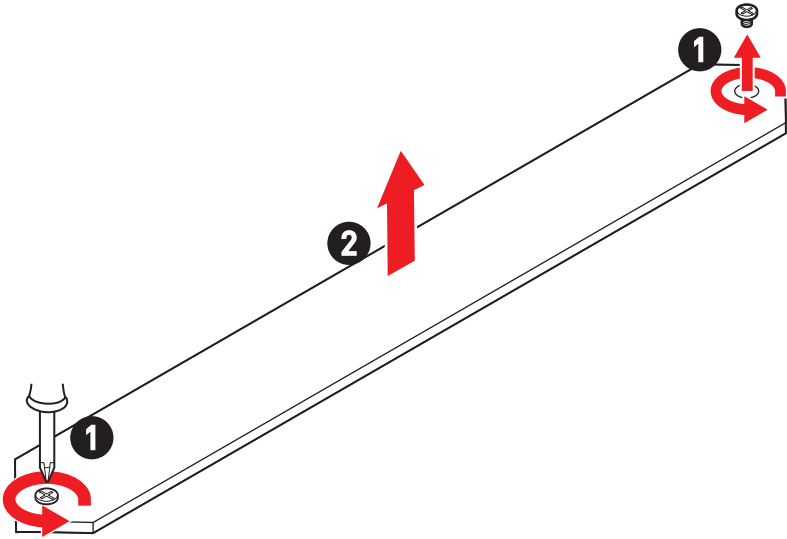


6. M.2 슬드 Frozr 히트싱크 아래의 열 패드에서 보호 필름을 제거합니다.
7. M.2 슬드 Frozr 히트싱크를 제자리에 놓고 고정합니다.

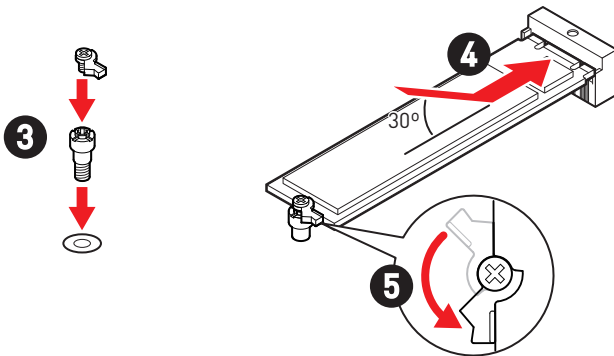


M2_3 슬롯에 M.2 모듈 설치

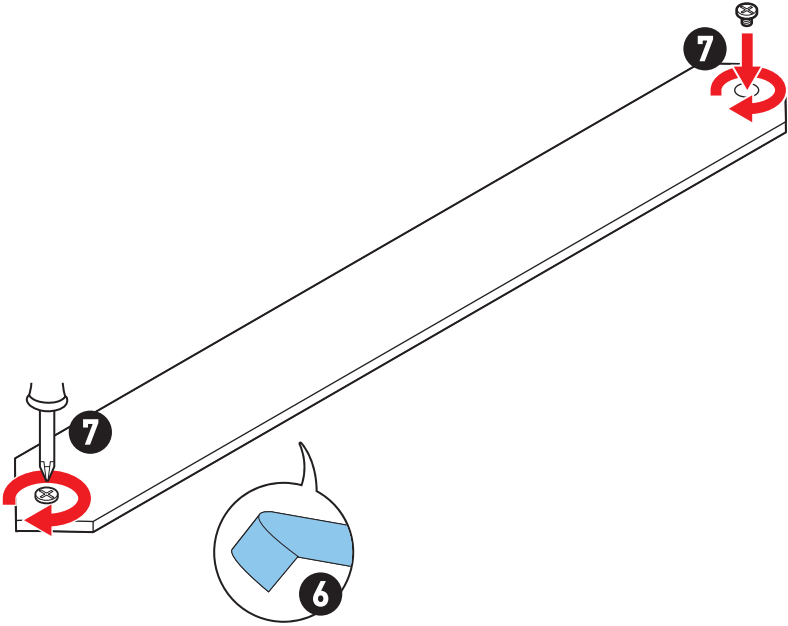
1. M.2 쉴드 FROZR 히트싱크의 나사를 풀어 줍니다.
2. M.2 쉴드 Frozr 히트싱크를 들어 올려 제거합니다.



3. 제공된 EZ M.2 클립을 SSD 길이에 따라 설치하십시오. 2280 SSD를 설치한 경우 이 단계를 건너뛰십시오.
4. M.2 SSD를 M.2 슬롯에 30도 각도로 삽입합니다.
5. EZ M.2 클립을 돌려 M.2 SSD를 고정합니다.

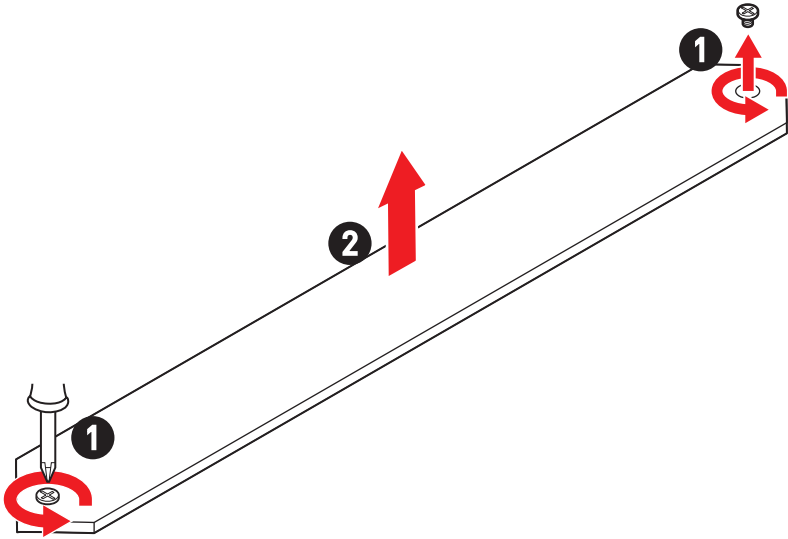


6. M.2 슬드 Frozr 히트싱크 아래의 열 패드에서 보호 필름을 제거합니다.
7. M.2 슬드 Frozr 히트싱크를 제자리에 놓고 고정합니다.

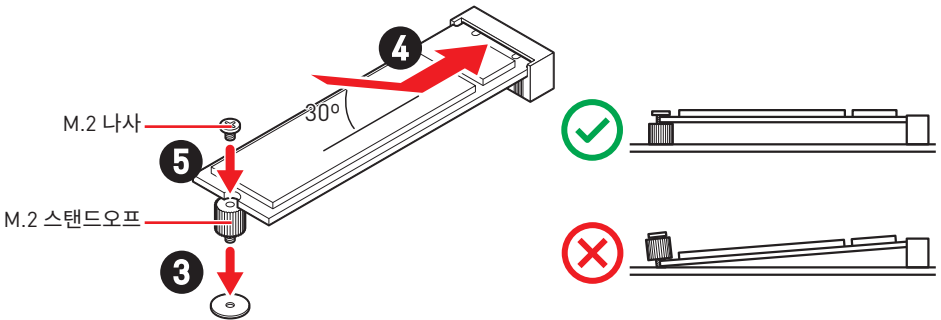


M2_4 슬롯에 M.2 모듈 설치

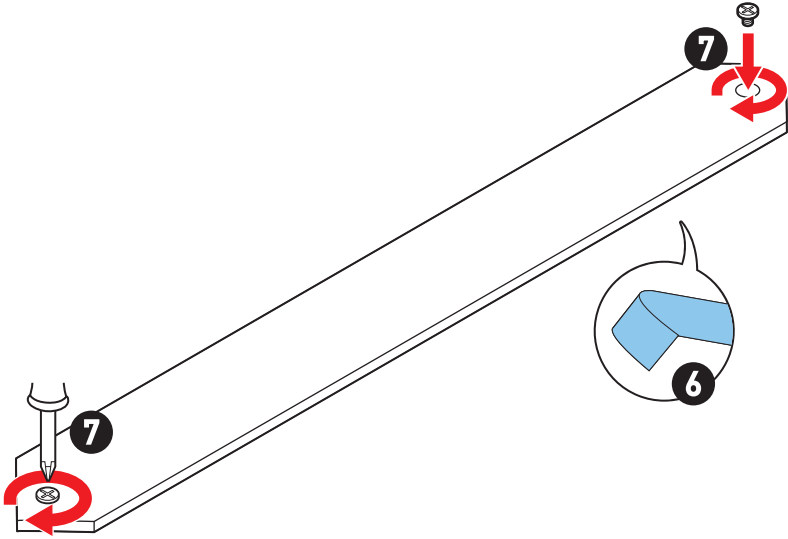
1. M.2 쉴드 Frozr 히트싱크의 나사를 풀어 줍니다.
2. M.2 쉴드 Frozr 히트싱크를 들어 올려 제거합니다.



3. 제공된 M.2 스탠드오프를 SSD 길이에 따라 설치하십시오.
4. M.2 SSD를 M.2 슬롯에 30도 각도로 삽입합니다.
5. 제공된 M.2 나사로 M.2 SSD를 제자리에 고정합니다.

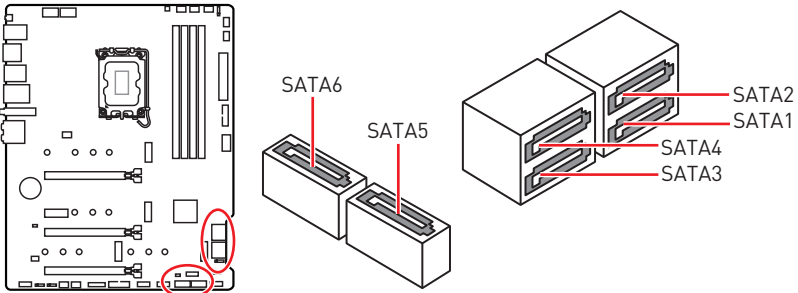


6. M.2 슬드 Frozr 히트싱크 아래의 열 패드에서 보호 필름을 제거합니다.
7. M.2 슬드 Frozr 히트싱크를 제자리에 놓고 고정합니다.



SATA1~6: SATA 6Gb/s 커넥터

이 커넥터는 SATA 6Gb/s 인터페이스 포트입니다. 각 커넥터에 하나의 SATA 장치를 연결할 수 있습니다.

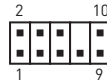
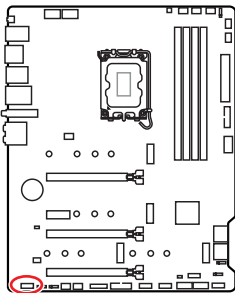


⚠️ 중요사항

- SATA 케이블을 90도로 꺾지 마십시오. 그럴 경우, 전송 중 데이터가 손상될 수 있습니다.
- SATA 케이블의 양쪽 모두에 동일한 플러그가 있지만, 공간 절약을 위해 플랫 커넥터를 메인보드에 연결할 것을 권장합니다.

JAUD1: 전면 오디오 커넥터

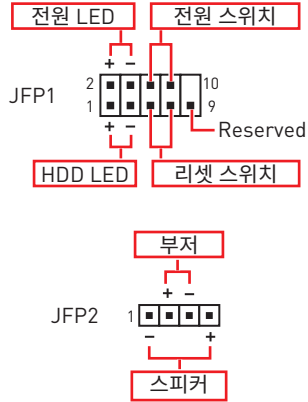
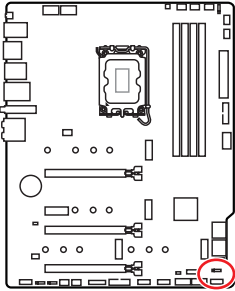
이 커넥터를 사용하여 전면 패널의 오디오 잭을 연결할 수 있습니다.



핀	신호 이름	핀	신호 이름
1	MIC L	2	Ground
3	MIC R	4	NC
5	Head Phone R	6	MIC Detection
7	SENSE_SEND	8	No Pin
9	Head Phone L	10	Head Phone Detection

JFP1, JFP2: 전면 패널 커넥터

JFP1 커넥터는 PC 케이스/새시의 전원 켜기, 전원 재설정 및 LED를 제어합니다. 전원 스위치/리셋 스위치 헤더를 사용하면 전원 버튼/리셋 버튼을 연결할 수 있습니다. 전원 LED 헤더는 PC 케이스의 LED 조명에 연결되고 HDD LED 헤더는 하드 디스크의 활동을 나타냅니다. JFP2 커넥터는 부저 및 스피커용입니다. PC 케이스의 케이블을 오른쪽 핀에 연결하려면 아래 이미지를 참조하십시오.

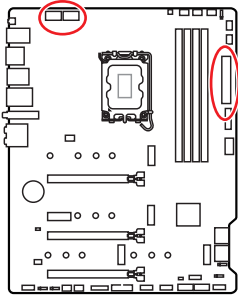


중요사항

전원 LED 및 HDD LED에는 양극 및 음극 연결이 있으므로 케이블을 메인보드의 해당 양극 및 음극 포트에 연결해야 합니다. 그렇지 않으면 LED가 제대로 작동하지 않습니다.

CPU_PWR1~2, ATX_PWR1: 전원 커넥터

이 커넥터를 사용하여 ATX 전원 공급 장치를 연결할 수 있습니다.

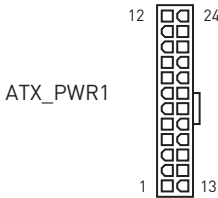
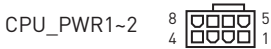


CPU_PWR1~2

핀	신호 이름	핀	신호 이름
1	Ground	2	Ground
3	Ground	4	Ground
5	+12V	6	+12V
7	+12V	8	+12V

ATX_PWR1

핀	신호 이름	핀	신호 이름
1	+3.3V	2	+3.3V
3	Ground	4	+5V
5	Ground	6	+5V
7	Ground	8	PWR OK
9	5VSB	10	+12V
11	+12V	12	+3.3V
13	+3.3V	14	-12V
15	Ground	16	PS-ON#
17	Ground	18	Ground
19	Ground	20	Res
21	+5V	22	+5V
23	+5V	24	Ground

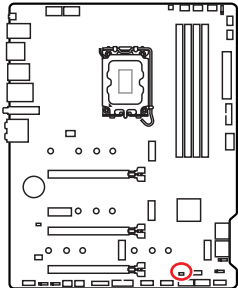


중요사항

모든 전원 케이블이 ATX 전원 공급 장치에 올바르게 연결되어 메인보드가 안정적으로 작동하는지 확인하십시오.

JCI1: 새시 침입 커넥터

이 커넥터를 사용하여 새시 침입 스위치 케이블을 연결할 수 있습니다.



표준 상태
(기본 설정)



새시 침입 이벤트
트리거

새시 침입 탐지기 사용하기

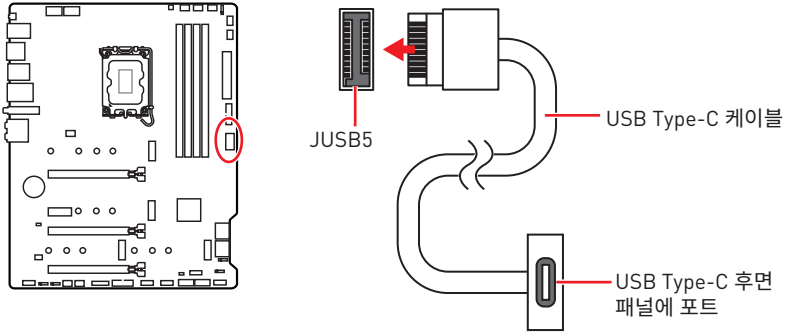
1. JCI1 새시의 새시 침입 스위치/ 센서에 연결합니다.
2. 새시 커버를 닫습니다.
3. BIOS > SETTINGS > Security > Chassis Intrusion Configuration으로 이동합니다.
4. Chassis Intrusion (새시 침입) 항목을 Enabled(사용)으로 설정합니다.
5. F10키를 눌러 변경 값을 저장하고 종료합니다. Enter키를 누른 후 Yes를 선택합니다.
6. 새시 커버가 다시 열리면 컴퓨터를 켤 때 알람 메시지가 화면에 나타납니다.

새시 침입 알람 재설정하기

1. BIOS > SETTINGS > Security > Chassis Intrusion Configuration으로 이동합니다.
2. Chassis Intrusion (새시 침입)을 Reset (리셋)으로 설정합니다.
3. F10키를 눌러 변경 값을 저장하고 종료합니다. Enter키를 누른 후 Yes를 선택합니다.

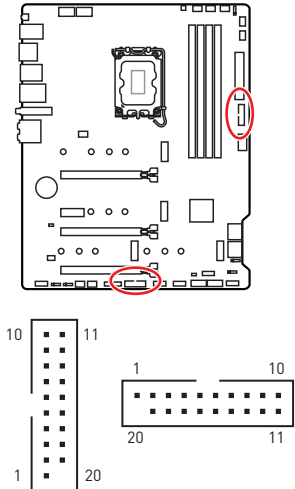
JUSB5: USB 3.2 Gen 2 Type-C 전면 패널 커넥터

이 커넥터를 사용하여 전면 패널의 USB 3.2 Gen 2 10Gbps Type-C 커넥터를 연결할 수 있습니다. 이 커넥터는 풀 프루프(footproof)로 작동하도록 디자인되었으며 케이블 연결시 정확한 방향으로 연결하시기 바랍니다.



JUSB3~4: USB 3.2 Gen 1 커넥터

이 커넥터를 사용하여 전면 패널의 USB 3.2 Gen 1 5Gbps 포트를 연결할 수 있습니다.



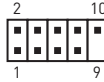
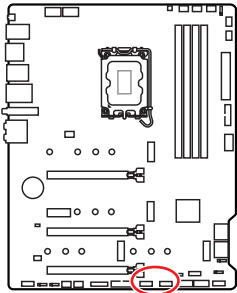
핀	신호 이름	핀	신호 이름
1	Power	2	USB3_RX_DN
3	USB3_RX_DP	4	Ground
5	USB3_TX_C_DN	6	USB3_TX_C_DP
7	Ground	8	USB2.0-
9	USB2.0+	10	Ground
11	USB2.0+	12	USB2.0-
13	Ground	14	USB3_TX_C_DP
15	USB3_TX_C_DN	16	Ground
17	USB3_RX_DP	18	USB3_RX_DN
19	Power	20	No Pin

중요사항

전원 및 그라운드 핀을 정확히 연결하여야 손상을 방지할 수 있습니다.

JUSB1~2: USB 2.0 커넥터

이 커넥터를 사용하여 전면 패널의 USB 2.0 포트를 연결할 수 있습니다.



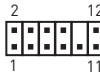
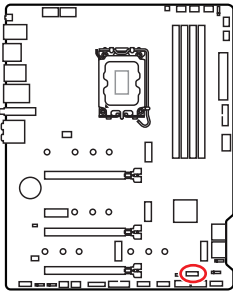
핀	신호 이름	핀	신호 이름
1	VCC	2	VCC
3	USB0-	4	USB1-
5	USB0+	6	USB1+
7	Ground	8	Ground
9	No Pin	10	NC

⚠️ 중요사항

- VCC 및 그라운드 핀을 정확히 연결하여야 손상을 방지할 수 있습니다.
- USB 포트를 통하여 iPad, iPhone 및 iPod를 충전하려면 MSI Center 유틸리티를 설치하시기 바랍니다.

JTPM1: TPM 모듈 커넥터

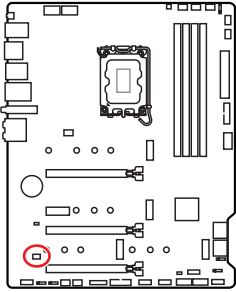
이 커넥터는 TPM (Trusted Platform Module) 모듈에 연결됩니다. 자세한 내용과 사용방법은 TPM 보안 플랫폼 설명서를 참조하세요.



핀	신호 이름	핀	신호 이름
1	SPI Power	2	SPI Chip Select
3	Master In Slave Out (SPI Data)	4	Master Out Slave In (SPI Data)
5	Reserved	6	SPI Clock
7	Ground	8	SPI Reset
9	Reserved	10	No Pin
11	Reserved	12	Interrupt Request

JDASH1 : 튜닝 컨트롤러 커넥터

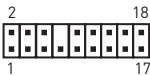
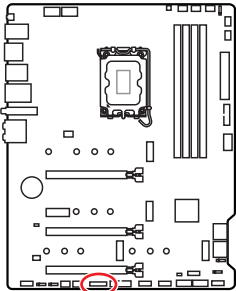
이 커넥터를 사용하여 옵션인 튜닝 컨트롤러 모듈을 연결할 수 있습니다.



핀	신호 이름	핀	신호 이름
1	No Pin	2	NC
3	MCU_SMB_SCL_M	4	MCU_SMB_SDA_M
5	VCC5	6	Ground

JTBT_U4_1: USB4 확장 카드 커넥터

이 커넥터를 사용하여 MSI USB4 PD100W 확장 카드를 연결할 수 있습니다.



핀	신호 이름	핀	신호 이름
1	TBT_Force_PWR	2	TBT_S0IX_Entry_REQ
3	TBT_CIO_Plug_Event#	4	TBT_S0IX_Entry_ACK
5	SLP_S3#_TBT	6	TBT_PSON_Override_N
7	SLP_S5#_TBT	8	Net Name
9	Ground	10	SMBCLK_VSB
11	DG_PEWake	12	SMBDATA_VSB
13	TBT_RTD3_PWR_EN	14	Ground
15	TBT_Card_DET_R#	16	PD_IRQ#
17	GPP_C22	18	GPP_E3

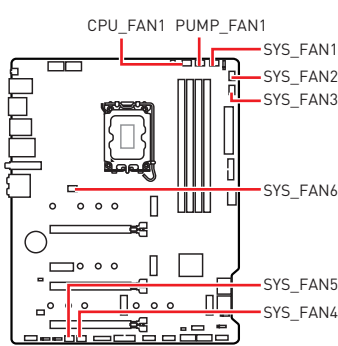
CPU_FAN1, PUMP_FAN1, SYS_FAN1~6: 팬 커넥터

팬 커넥터는 PWM (Pulse Width Modulation) 모드와 DC 모드로 분류될 수 있습니다. PWM 모드 팬 커넥터는 12V의 일정한 출력을 제공하고 속도 제어 신호에 따라 팬의 회전 속도를 조정합니다. DC 모드 팬 커넥터는 전압의 변화에 따라 팬의 회전 속도를 제어합니다. 자동 모드 팬 커넥터는 PWM 및 DC 모드를 자동으로 감지할 수 있습니다.

BIOS> HARDWARE MONITOR 패널에서 팬을 제어할 수 있습니다. DC 또는 PWM을 팬 유형에 설정할 수 있습니다. **스마트 팬 모드**를 확인하면 CPU 또는 시스템 온도에 따라 팬 속도가 변경됩니다. **스마트 팬 모드**의 선택을 취소하면 팬이 최대 속도로 회전합니다.

중요사항

PWM/ DC 모드로 전환한 후, 팬이 제대로 작동하는지 확인하시기 바랍니다.



PWM 모드 핀 정의

핀	신호 이름	핀	신호 이름
1	Ground	2	+12V
3	Sense	4	Speed Control Signal

DC 모드 핀 정의

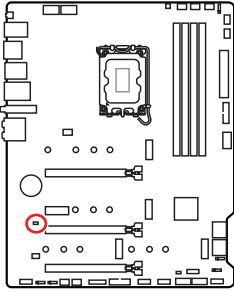
핀	신호 이름	핀	신호 이름
1	Ground	2	Voltage Control
3	Sense	4	NC

팬 커넥터 사양

커넥터	기본 팬 모드	최대 전류	최대 전력
CPU_FAN1	자동 모드	2A	24W
PUMP_FAN1	PWM mode	3A	36W
SYS_FAN1~6	DC 모드	1A	12W

JBAT1: CMOS (Reset BIOS) 클리어 접퍼

시스템 구성 데이터를 저장하기 위해 메인보드에 있는 배터리에서 외부 전원을 공급받는 온보드 CMOS 메모리가 있습니다. 시스템 구성을 지우려면 접퍼를 아래와 같이 설정하여 CMOS 메모리를 지우세요.



데이터 유지
(기본 설정)



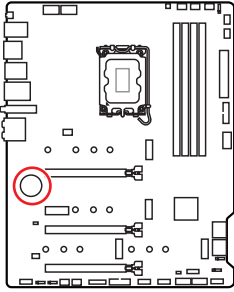
CMOS 클리어/
BIOS 리셋

기본 값으로 BIOS 리셋하기

1. 컴퓨터의 전원을 끈 후 전원 콘센트에서 플러그를 뽑습니다
2. 접퍼 캡을 사용하여 **JBAT1**을 5-10초간 단락합니다.
3. **JBAT1**에서 접퍼 캡을 제거합니다.
4. 플러그를 전원 콘센트에 연결한 후 컴퓨터의 전원을 켭니다.

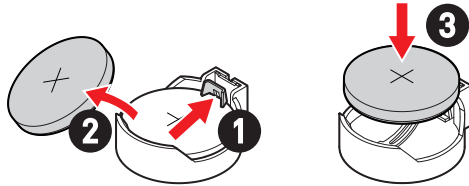
BAT1: CMOS 배터리

CMOS 배터리가 방전되면 BIOS의 시간이 재설정되고 시스템 구성 데이터가 손실됩니다. 이 경우 CMOS 배터리를 교체해야 합니다.



CMOS 배터리 교체하기

1. 리테이너 클립을 눌러 배터리를 분리합니다.
2. 소켓에서 배터리를 제거합니다.
3. + 기호가 위로 향하게 하여 새 CR2032 코인-셀 배터리를 설치합니다. 리테이너가 배터리를 단단히 고정하는지 확인하십시오.



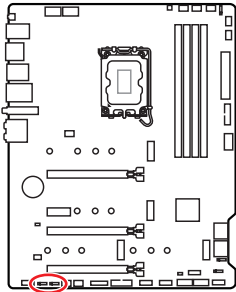
경고

어린이의 손이 닿지 않는 곳에 보관하십시오.

- 삼키면 화학 화상, 연조직 천공, 사망으로 이어질 수 있습니다.
- 섭취 후 2시간 이내에 심한 화상을 입을 수 있습니다.
- 배터리를 삼켰거나 신체의 일부에 들어갔을 수 있다고 생각되면 즉시 의사의 진료를 받으십시오.

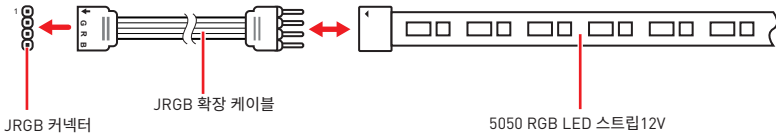
JRGB1~2: RGB LED 커넥터

JRGB 이 커넥터를 사용하여 5050 RGB LED 스트립 12V을 연결할 수 있습니다.

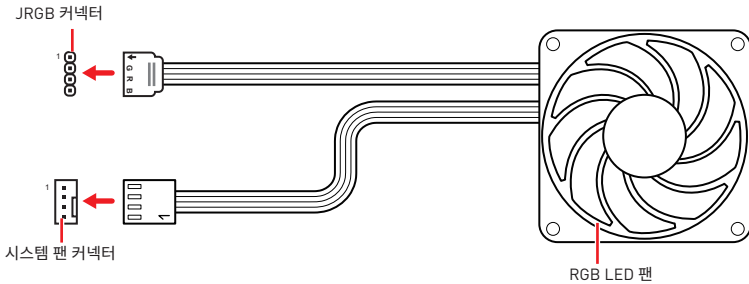


핀	신호 이름	핀	신호 이름
1	+12V	2	G
3	R	4	B

RGB LED 스트립 커넥터



RGB LED 팬 연결

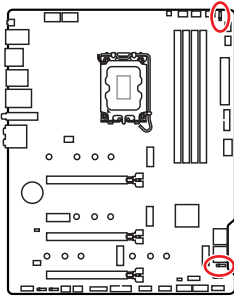


중요사항

- JRGB 커넥터는 최대 3A (12V) 정격 전력에서 최대 2미터 연속 5050 RGB LED 스트립 (12V/G/R/B)을 지원합니다.
- RGB LED 스트립을 설치 또는 제거하기 전에 항상 전원 공급 장치의 전원을 끄고 전원 코드를 콘센트에서 뽑아주세요.
- MSI 소프트웨어를 사용하여 확장된 LED 스트립을 조정하세요.

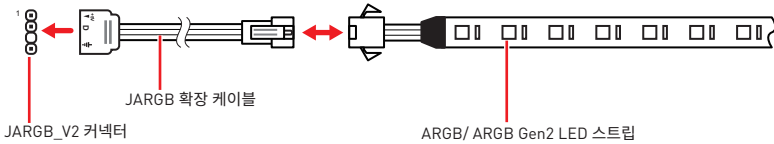
JARGB_V2_1~2: A-RAINBOW V2 (ARGB Gen2) LED 커넥터

JARGB_V2 커넥터를 사용하여 ARGB Gen2 및 ARGB 기반 LED 스트립을 연결할 수 있습니다. JARGB_V2 커넥터는 최대 정격 전력이 3A(5V)인 개별 주소 지정이 가능한 최대 240 개의 RGB LED를 지원합니다.

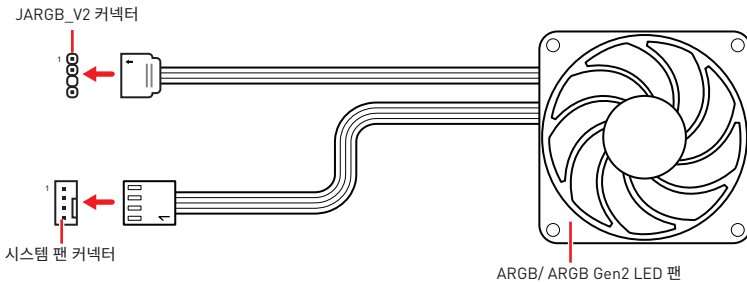


핀	신호 이름	핀	신호 이름
1	+5V	2	Data
3	No Pin	4	Ground

주소 지정 가능한 RGB LED 스트립 연결



주소 지정 가능한 RGB LED 팬 연결



주의

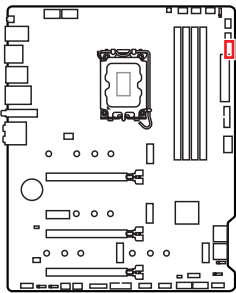
다른 유형의 LED 스트립을 연결하지 마십시오. JRGB 커넥터와 JARGB_V2 커넥터는 다른 전압을 제공하며, 5V LED 스트립을 JRGB 커넥터에 연결하면 LED 스트립이 손상됩니다.





중요사항

- 최상의 효과를 얻으려면 동일한 사양의 LED 스트립을 설치하는 것을 추천합니다.
- RGB LED 스트립을 설치 또는 제거하기 전에 항상 전원 공급 장치의 전원을 끄고 전원 코드를 콘센트에서 뽑아주세요.
- MSI 소프트웨어를 사용하여 확장된 LED 스트립을 조정하세요.

EZ 디버그 LED

이 LED는 메인보드의 디버그 상태를 나타냅니다.



LED 색상	상태
빨간색 	CPU가 감지되지 않거나 고장났음을 나타냅니다.
노란색 	DRAM이 감지되지 않거나 고장났음을 나타냅니다.
화이트 	CPU가 감지되지 않거나 고장났음을 나타냅니다.
녹색 	부팅 장치가 감지되지 않거나 고장났음을 나타냅니다.

OS, 드라이버 & MSI Center 설치하기

공식 웹사이트 www.msi.com을 방문하여 최신 버전의 유틸리티와 드라이버를 다운로드 및 업데이트하세요.

Windows 10/ Windows 11 설치하기

1. 컴퓨터의 전원을 켭니다.
2. Windows 10/ Windows 11 설치 디스크/USB를 컴퓨터에 삽입합니다.
3. 컴퓨터 케이스의 **Restart** 버튼을 누릅니다.
4. 컴퓨터가 POST (Power-On Self Test)하는 동안 **F11** 키를 눌러 부팅 메뉴로 이동합니다.
5. 부팅 메뉴에서 Windows 10/ Windows 11 설치 디스크/USB를 선택합니다.
6. 화면에 **Press any key to boot from CD or DVD...** 라는 메시지가 나타나면 임의의 키를 누릅니다. 메시지가 안뜬다면 이 단계를 건너뛰십시오.
7. 화면에 나타나는 설명에 따라 Windows 10/ Windows 11 운영 체제를 설치합니다.

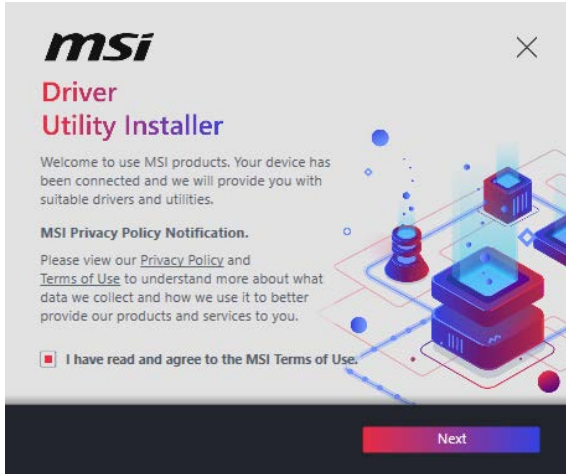
MSI® Driver DVD로 드라이버 설치하기

1. Windows 10/ Windows 11 운영 체제에서 컴퓨터를 시작합니다.
2. MSI® Driver DVD를 광학 드라이브에 삽입합니다.
3. **Select to choose what happens with this disc** 팝업 알림을 클릭하고, **Run DVDSetup.exe**을 선택하여 설치 프로그램을 엽니다. 제어판에서 자동 실행 기능을 해제한 경우에도 MSI 드라이버 DVD의 루트 경로를 통해서 수동으로 **DVDSetup.exe**를 실행할 수 있습니다.
4. **Drivers/Software** 탭에서 필요한 모든 드라이버를 찾아내고 목록이 나타납니다.
5. 윈도우의 하단 오른쪽 코너에 **Install** 버튼을 누릅니다.
6. 드라이버 설치가 진행됩니다. 설치가 완료되면 다시시작하라는 메시지가 나타납니다.
7. **OK** 버튼을 눌러 설치를 완료합니다.
8. 컴퓨터를 다시 시작합니다.

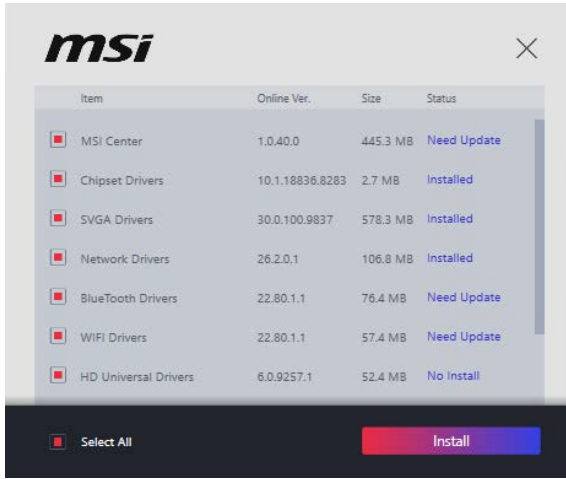
MSI Driver Utility Installer로 드라이버 설치하기

중요사항

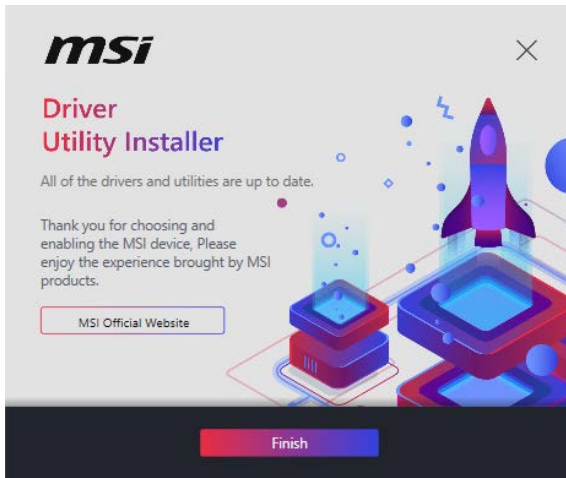
- 일부 새로운 네트워크 칩은 Windows 10/Windows 11에서 기본적으로 지원되지 않습니다. MSI Driver Utility Installer 프로그램으로 드라이버를 설치하기 전에 LAN 드라이버를 설치하는 것이 좋습니다. 메인보드용 LAN 드라이버를 설치하려면 www.msi.com을 참조하십시오.
 - MSI Driver Utility Installer이 자동으로 나타납니다. 진행 중에 취소하거나 닫을 경우 MSI Center 매뉴얼의 라이브 업데이트 장을 참조하여 드라이버를 설치하십시오. www.msi.com으로 이동하여 메인보드를 검색하고 드라이버를 다운로드할 수도 있습니다.
 - MSI Driver Utility Installer는 인터넷을 통해 설치해야 합니다.
1. Windows 10/ Windows 11운영 체제에서 컴퓨터를 시작합니다.
 2. **Start > Settings > Windows Update (시작 > 설정 > Windows 업데이트)**를 Check한 다음 업데이트 확인을 선택합니다.
 3. MSI Driver Utility Installer이 자동으로 나타납니다.



4. MSI 이용약관을 읽었으며 이에 동의합니다 확인란을 선택하고 다음을 클릭합니다.



5. 왼쪽 하단 모서리에 있는 **모두 선택** 확인란을 선택하고 **설치**를 클릭하여 MSI Center 및 드라이버를 설치합니다. 하단에 설치 진행 상황이 표시됩니다.



6. 진행이 완료되면 **마침**을 클릭합니다.

MSI Center

MSI Center 는 게임 설정을 쉽게 최적화하고 콘텐츠 생성 소프트웨어를 원활하게 사용할 수 있도록 지원하는 응용 프로그램입니다. 또한 PC 및 기타 MSI 제품에 대한 LED 빛 효과를 제어하고 동기화할 수 있습니다. MSI Center 를 사용하면 이상적인 모드를 사용자 지정하고, 시스템 성능을 모니터링하며, 팬 속도를 조정할 수 있습니다.

MSI Center 사용자 가이드



MSI Center에 대한 자세한 내용은 다음의 주소를

<http://download.msi.com/manual/mb/MSICENTER.pdf>

참조 하시거나 QR 코드를 스캔하십시오.



중요사항

구입한 제품에 따라 기능이 달라질 수 있습니다.

UEFI BIOS

MSI UEFI BIOS는 UEFI(Unified Extensible Firmware Interface) 구성과 호환 가능 합니다. UEFI는 기존 BIOS가 달성 할 수없는 많은 새로운 기능과 장점을 가지고 있으며 향후 BIOS를 완전히 대체 할 것입니다. MSI의 UEFI BIOS는 새로운 칩셋의 기능을 최대한 활용하기 위해 기본 부팅 모드로 UEFI를 사용합니다.

중요사항

본 사용자 매뉴얼상 'BIOS' 용어는 별도 표기가 없는 한 'UEFI BIOS'를 뜻합니다.

UEFI 이점

- 빠른 부팅 - UEFI는 운영 체제를 직접 부팅하고 BIOS 자가 테스트 프로세스를 저장할 수 있습니다. 또한 POST 중에 CSM 모드로 전환할 필요가 없습니다.
- 2TB보다 큰 하드 드라이브 파티션을 지원합니다.
- GUID 파티션 테이블(GPT)를 사용하여 주 파티션을 4개 이상 지원합니다.
- 파티션 수를 제한 없이 지원합니다.
- 새 장치의 모든 기능을 지원합니다. 새 장치는 이전 버전과의 호환성을 제공하지 못할 수 있습니다.
- 운영체제 시작 시 보안 지원 - UEFI는 운영 체제의 유효성을 검사하여 시작 프로세스에서 악성소프트웨어 동작이 없는지 확인합니다.

호환되지 않는 UEFI 사례들

- **32비트 Windows 운영 체제**- 이 메인보드는 Windows 10/ Windows 11 64비트 운영 체제만 지원합니다.
- **구버전 그래픽 카드** - 시스템이 자동으로 그래픽 카드를 감지합니다. 이전 그래픽 카드를 사용하는 경우 이 그래픽 카드에서 **GOP(그래픽 출력 프로토콜) 지원이 감지되지 않는다**는 경고 메시지가 표시될 수 있습니다.

중요사항

GOP/UEFI 호환 그래픽 카드로 교체하거나 일반 기능 사용을 위해 CPU의 통합 그래픽을 사용하는것이 좋습니다.

어떻게 BIOS 모드를 확인합니까?

1. 컴퓨터의 전원을 켭니다.
2. 부팅 과정에서 화면에 **DEL** 키를 눌러 **설정 메뉴**로, **F11** 키를 눌러 **부팅메뉴**로 이동이라는 메시지가 나타나면 **Delete** 키를 누르세요.
3. BIOS에 들어간 후, 화면 상단에서 **BIOS 모드**를 체크할 수 있습니다.

BIOS Mode: UEFI

BIOS (바이오스) 설정

기본 설정은 일반적인 조건에서 시스템의 안정성을 위해 최적의 성능을 제공합니다. BIOS에 익숙하지 않을 경우, 시스템 손상 또는 부팅 실패를 방지하기 위해 **항상 기본 설정을 유지**하십시오.



중요사항

- BIOS 항목은 시스템 성능 향상을 위해 지속적으로 업데이트됩니다. 따라서 여기에 제공된 설명은 최신 BIOS와 조금 상이할 수 있으므로 참조용으로만 사용하십시오. 또한 BIOS 항목에 대해서는 **HELP(도움말)**의 설명을 참고할 수 있습니다.
- BIOS 화면, 옵션 및 설정은 사용자의 시스템에 따라 다를 수 있습니다.

BIOS 설정

부팅 과정에서 화면에 **DEL** 키를 눌러 설정 메뉴로, **F11** 키를 눌러 부팅메뉴로 이동이라는 메시지가 나타나면 **Delete** 키를 누르세요.

기능 키

- F1:** 도움말 목록
- F2:** 즐겨찾기 항목 추가/삭제
- F3:** 즐겨찾기 메뉴로 이동
- F4:** CPU 규격 메뉴로 이동
- F5:** Memory-Z(메모리-Z) 메뉴로 이동
- F6:** 최적의 기본값 불러오기
- F7:** 고급 모드와 EZ 모드 사이에서 전환
- F8:** 오버클로킹 프로파일 로드
- F9:** 오버클로킹 프로파일 저장
- F10:** 변경값 저장 및 리셋*
- F12:** 화면을 캡처한 후 USB 플래시 드라이브에 저장(FAT/ FAT32 포맷 전용)
- Ctrl+F:** 검색 페이지로 이동

* F10 키를 누르면 확인 대화창이 나타나며 변경사항에 대한 정보를 제공합니다. Yes(예) 또는 No(아니요)를 클릭하여 선택을 확인합니다.

BIOS 사용자 가이드



BIOS 설정에 대한 자세한 사항은 다음의 주소를

https://download.msi.com/archive/mnu_exe/mb/Intel700BIOSkr.pdf

참조 하시거나 QR 코드를 스캔하십시오.



중요사항

구입한 제품에 따라 기능이 달라질 수 있습니다.

BIOS 리셋

문제 해결을 위해 BIOS 기본 설정을 복원해야 할 경우가 나타날 수 있습니다. BIOS를 리셋하는 방법에는 다음과 같은 몇 가지가 있습니다.

- BIOS로 이동한 후 **F6** 를 눌러 최적화된 기본 값을 로드합니다.
- 메인보드의 **CMOS 클리어** 점퍼를 단락시킵니다.



중요사항

CMOS 데이터를 삭제하기 전에 컴퓨터 전원이 꺼져 있는지 확인해야 합니다. BIOS를 재설정하려면 **CMOS 클리어** 점퍼 섹션을 참조하세요.

BIOS 업데이트

M-FLASH로 BIOS 업데이트

업데이트 하기전:

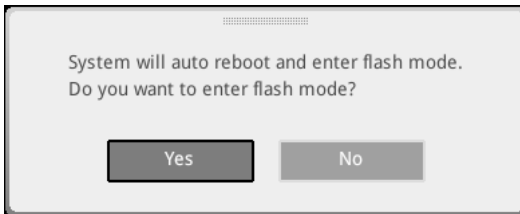
구입한 모듈에 맞는 최신 BIOS 파일을 MSI 웹사이트에서 다운로드한 후 BIOS 파일을 USB 플래시 드라이브에 저장합니다.

BIOS 업데이트:

1. Multi-BIOS 스위치를 사용하여 대상 BIOS ROM으로 전환합니다. 메인보드에 이 스위치가 없으면 이 단계를 건너뛰십시오.
2. 업데이트 파일이 들어있는 USB 플래시 드라이브를 USB 포트에 삽입합니다.
3. 플래시 모드를 시작하려면 다음 방법을 참조하십시오.
 - POST 중에 재부팅하고 **Ctrl + F5** 키를 누른 다음 **Yes**를 클릭하여 시스템 재부팅하십시오.

Press <Ctrl+F5> to activate M-Flash for BIOS update.

- BIOS(바이오스)를 들어가기 위해 POST 동안 재부팅하고 **Del** 키를 누릅니다. **M-FLASH** 버튼을 클릭하고 **Yes**를 클릭하여 시스템을 재부팅합니다.



4. BIOS 파일을 선택하여 BIOS 업데이트 프로세스를 진행합니다.
5. 메시지가 나타나면 **Yes**를 클릭하여 BIOS 복구를 시작합니다.
6. 100%로 완료되면 시스템이 자동으로 재부팅됩니다.

MSI Center로 BIOS 업데이트

업데이트 하기전:

- LAN 드라이버가 이미 설치되어 있고 인터넷이 제대로 연결되었는지 확인하세요.
- BIOS 업데이트 하기 전, 모든 다른 응용 프로그램을 끄십시오.

BIOS 업데이트:

1. MSI Center를 설치 및 시작하고 **Support** 페이지로 이동합니다.
2. **Live Update** 를 선택하고 **Advance** 버튼을 클릭합니다.
3. BIOS 파일을 선택하고 **Install** 버튼을 클릭합니다.
4. 설치 알림이 나타나면 **Install** 버튼을 누릅니다.
5. BIOS를 업데이트하기 위해 시스템이 자동으로 다시 시작됩니다.
6. BIOS 프로세서가 100%로 완료되면, 시스템이 자동으로 재부팅됩니다.

플래시 BIOS 버튼으로 BIOS 업데이트

1. 구입한 모듈에 맞는 최신 BIOS 파일을 MSI® 웹사이트에서 다운로드 하십시오.
2. BIOS 파일의 이름을 MSI.ROM으로 변경하고 USB 저장 장치의 루트에 저장합니다.
3. **CPU_PWR1** 및 **ATX_PWR1**에 전원 공급 장치를 연결합니다. (전원 공급 장치만 필요합니다.)
4. MSI.ROM 파일이 저장된 USB 플래쉬 드라이브를 후면 I/O 패널의 **플래쉬 BIOS 포트**에 연결합니다.
5. **플래쉬 BIOS** 버튼을 눌러 BIOS를 플래쉬하면 LED 표시등이 깜빡이기 시작합니다.
6. 프로세스가 완료되면 LED 표시등이 꺼집니다.

目錄

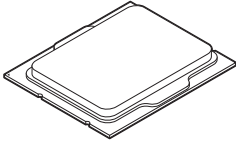
快速入門.....	3
規格.....	15
專屬特色.....	19
包裝內容.....	20
後側面板接頭.....	21
網路連接埠 LED 燈狀態表	22
音效接頭連接示意圖	22
安裝天線.....	24
元件總覽.....	25
CPU 腳座.....	26
記憶體插槽.....	27
PCI_E1~4: PCIe 擴充插槽	28
M2_1~4: M.2 插槽 (M 鍵)	29
SATA1~6: SATA 6Gb/s 插槽	38
JAUD1: 前置音效插孔.....	38
JFP1、JFP2: 系統面板接頭.....	39
CPU_PWR1~2、ATX_PWR1: 電源接頭	40
JCI1: 機殼開啟接頭.....	41
JUSB5: USB 3.2 Gen 2 Type-C 系統面板接頭	42
JUSB3~4: USB 3.2 Gen 1 接頭.....	42
JUSB1~2: USB 2.0 接頭.....	43
JTPM1: TPM 模組接頭	43
JDASH1: 調試控制器接頭	44
JTBT_U4_1: USB4 擴充卡接頭.....	44
CPU_FAN1、PUMP_FAN1、SYS_FAN1~6: 風扇電源接頭.....	45
JBAT1: 清除 CMOS (重置 BIOS) 功能跳線	46
BAT1: CMOS 電池.....	47
JRGB1~2: RGB LED 接頭.....	48
JARGB_V2_1~2: A-RAINBOW V2 (ARGB Gen2) LED 接頭.....	49

除錯 LED 指示燈	50
安裝作業系統、驅動程式和 MSI Center.....	51
安裝 MSI Driver Utility Installer 驅動程式安裝器.....	52
UEFI BIOS.....	55
BIOS 設定.....	56
重設 BIOS.....	57
更新 BIOS.....	57

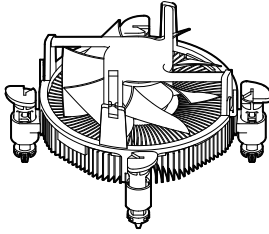
快速入門

感謝您購買 MSI® 的新主機板。在此快速入門章節將提供關於如何安裝電腦的流程圖。某些裝置也提供示範影片。請在手機或平板電腦上打開網頁瀏覽器連結到網址觀看。您也可以透過掃碼連接到網址。

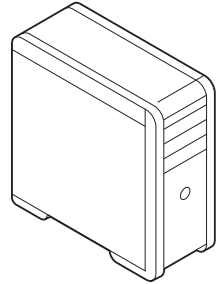
準備工具和零件



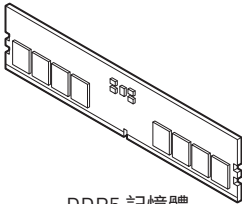
Intel® LGA1700 CPU



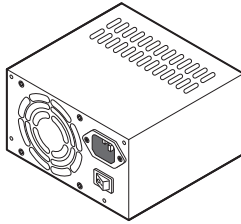
LGA1700 CPU 風扇



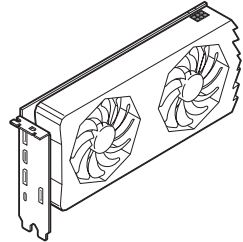
機殼



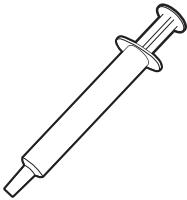
DDR5 記憶體



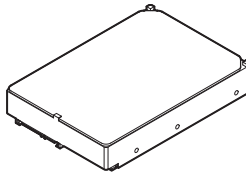
電源供應器



顯示卡



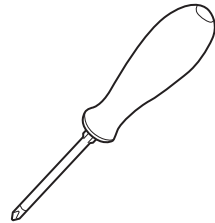
散熱膏



SATA 硬碟



1 包螺絲



十字型螺絲起子

安全說明

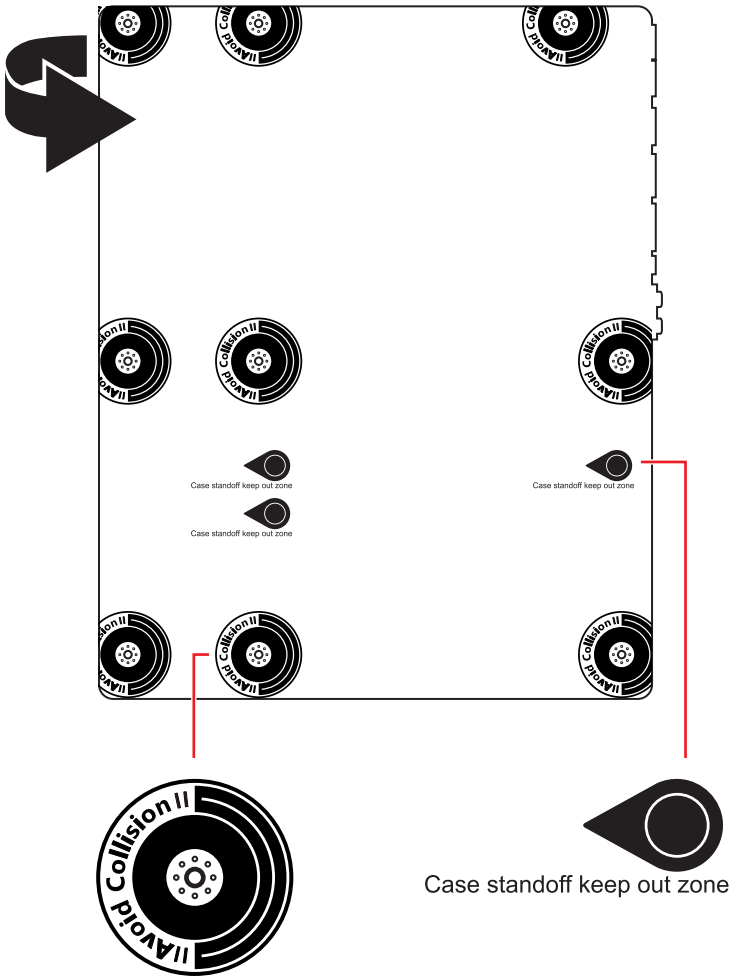
- 本包裝內所含的組件可能因靜電 (ESD) 受到損壞。請務必依循以下指示，以確保能成功組裝電腦。
- 請確定所有組件均確實連接妥善。如有鬆脫，可能會造成電腦無法識別該組件或無法啟動電腦。
- 拿取主機板時，請抓主機板的邊緣，以免碰觸到較易損壞的組件。
- 拿取主機板時，建議您戴靜電手環，以免產生靜電損壞主機板。若無靜電手環，請先觸摸其他金屬物品以讓自身放電，再碰觸主機板。
- 若未安裝主機板，請務必將其存放於靜電屏蔽的容器中或置於防靜電桌墊上。
- 開機之前，請先確認主機板上方或機殼內，無任何鬆脫的螺絲或其他金屬組件。
- 安裝完成再開機，以免損壞組件或傷到使用者。
- 若在安裝步驟中需要任何協助，請與通過認證的電腦工程師連繫。
- 在安裝或移除任何組件前，請務必先將電源供應器關閉，並將電源線由插座拔除。
- 請妥善保存本使用手冊，以便日後參照。
- 務必讓本主機板遠離潮濕與濕氣。
- 將電源供應器連接到插座前，請先確認電源插座供電之伏特數與電源供應器標示的數值相同。
- 請將電源線纜放置於不會受到踩踏的位置，並請不要將任何物體擺放於電源線纜之上。
- 請務必留意主機板所發出的任何警語或警示。
- 若發生以下任何情況，請將主機板送交服務人員進行檢查：
 - 液體滲入電腦。
 - 主機板暴露於潮濕環境。
 - 主機板運作異常，或無法依使用手冊讓主機板回復正常運作。
 - 主機板摔落且受損。
 - 主機板出現明顯破損。
- 請勿將本主機板放置於 60°C (140°F) 以上的環境，否則主機板可能損壞。

機殼螺絲柱注意事項

為防止損壞主機板，禁止在主機板電路和電腦機殼之間安裝任何不必要的螺絲柱。敬告使用者，主機板背面有 Case standoff keep out zone 標示(機殼螺絲柱禁區標誌，如下所示)。

避免碰撞注意事項

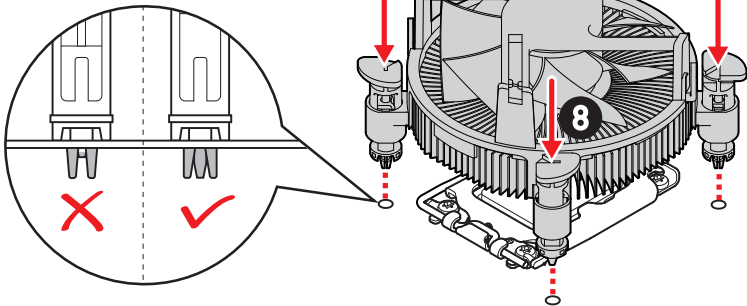
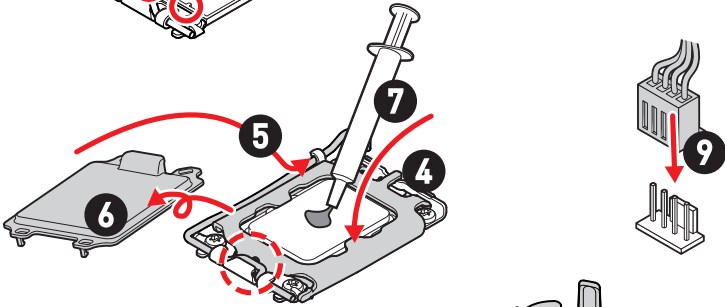
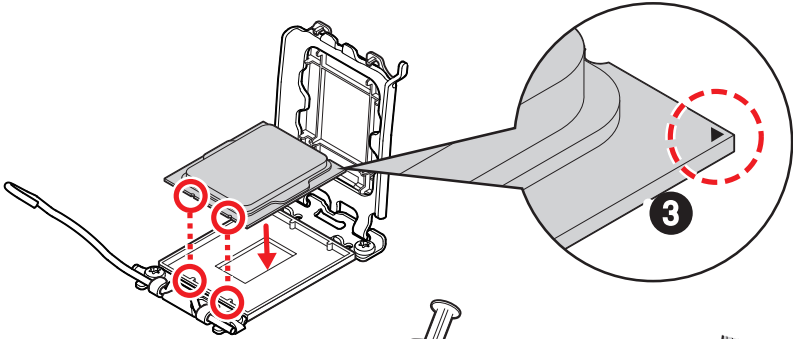
每個螺絲孔的周邊都印有保護漆，以免零件被劃傷。



安裝處理器



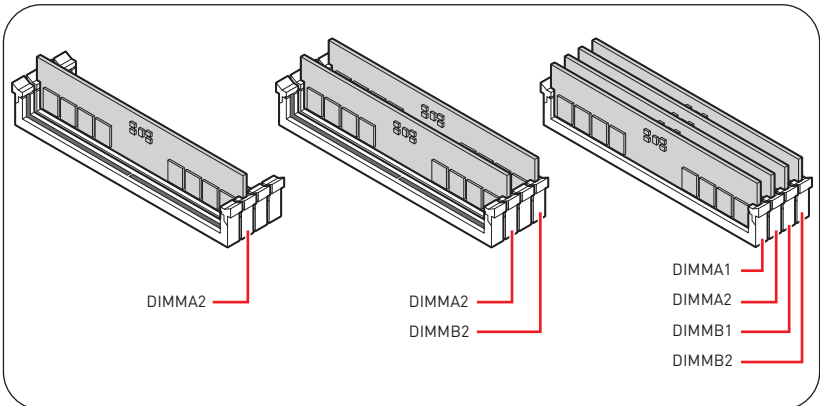
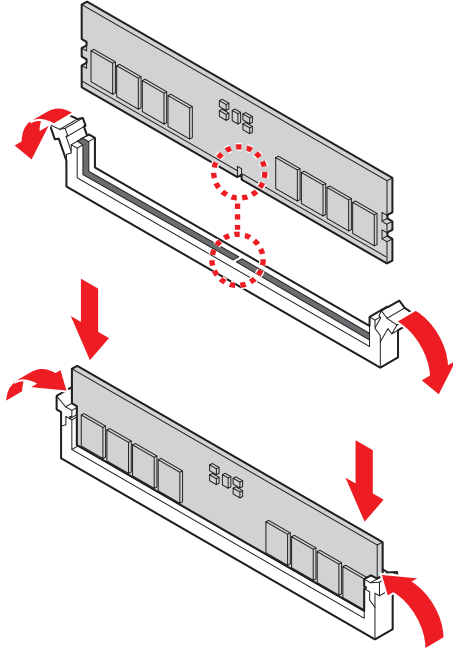
• <https://youtu.be/KMf9oIDsGes>



安裝 DDR5 模組



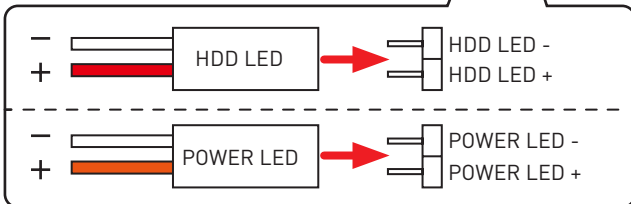
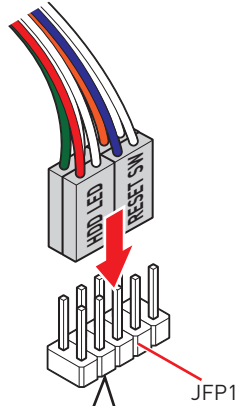
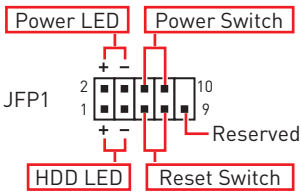
• <https://youtu.be/XiNmKDNZcZk>



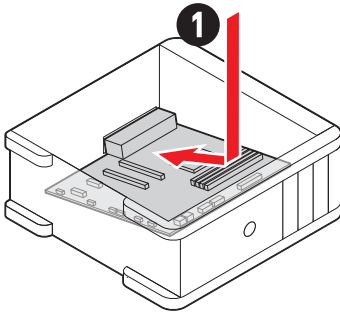
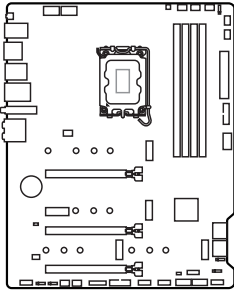
連接前置面板針腳



• <http://youtu.be/DPELIdVNZUI>



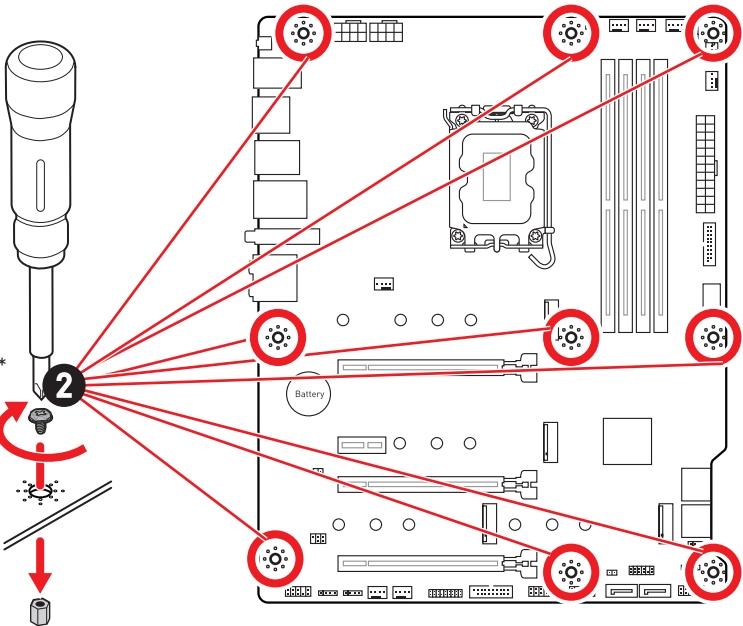
安裝主機板



• <https://youtu.be/wWI6Qt51Wnc>

扭矩：
3 kgf·cm*

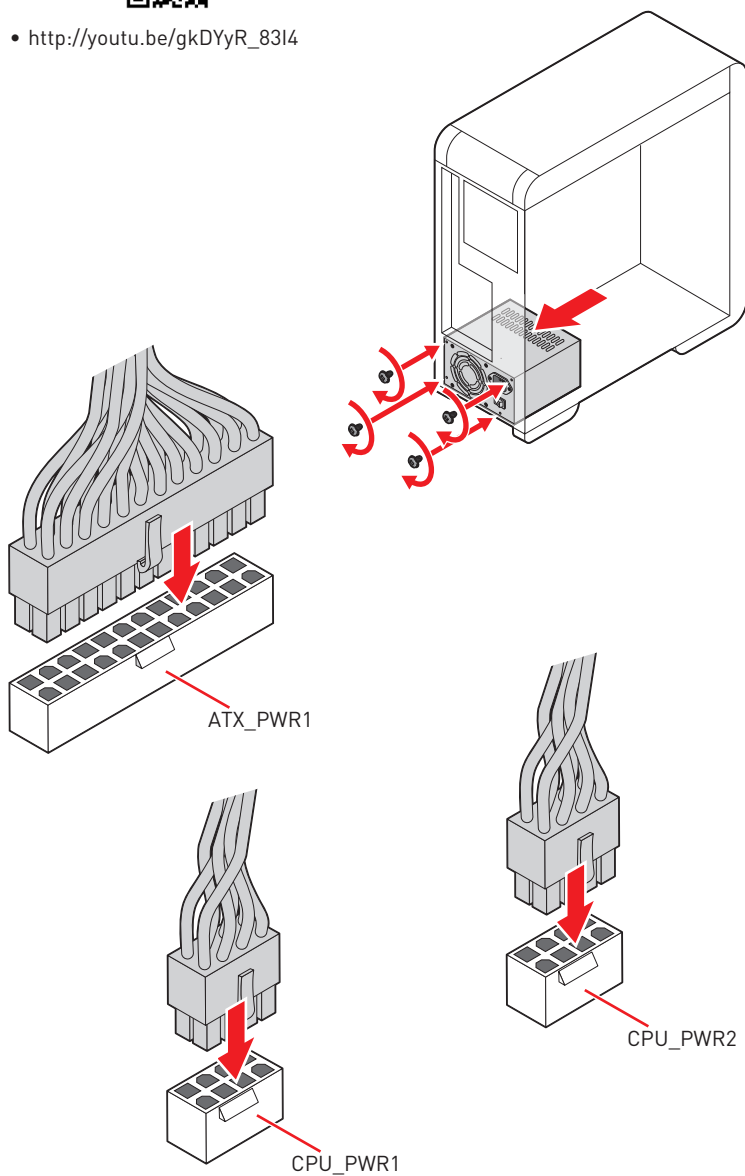
*3 kgf·cm
= 0.3 N·m
= 2.6 lbf·in



連接電源接頭



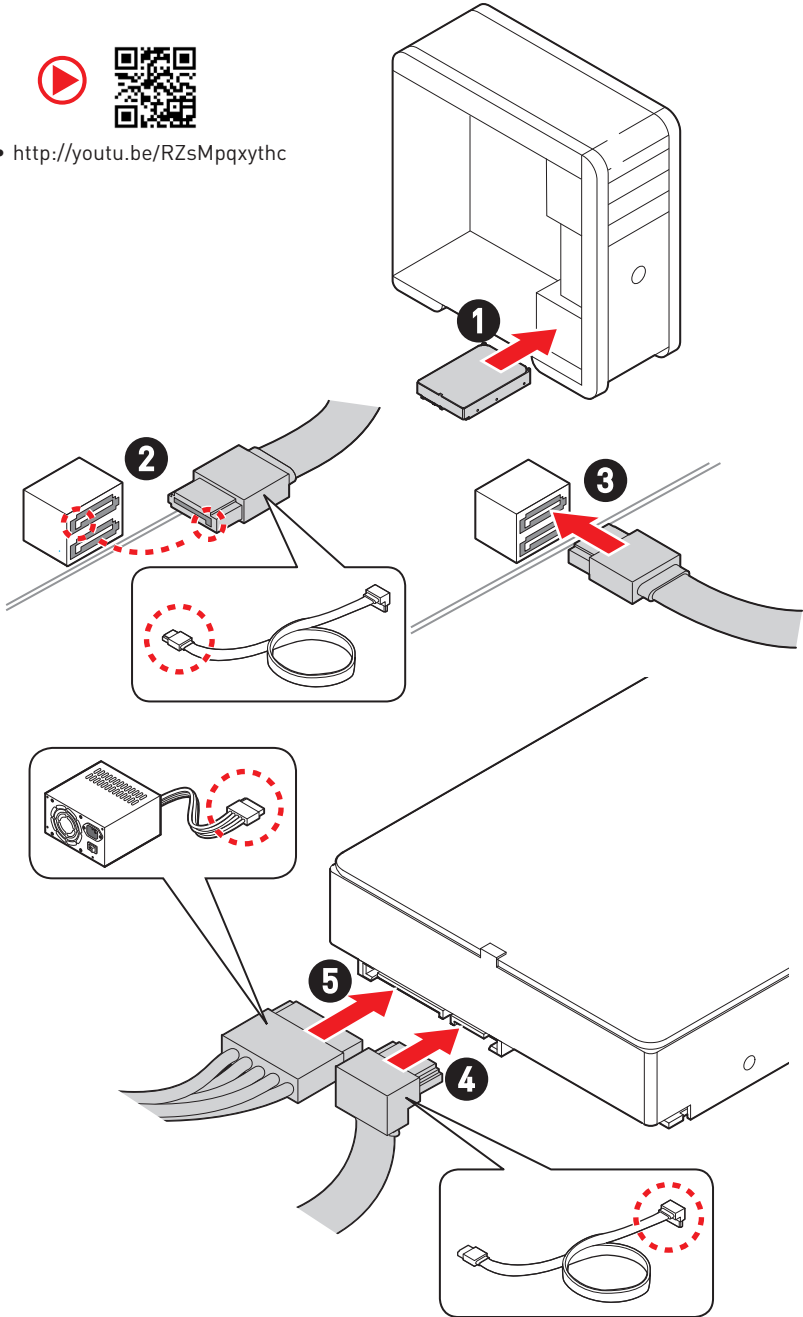
- http://youtu.be/gkDYyR_83l4



安裝 SATA 驅動程序



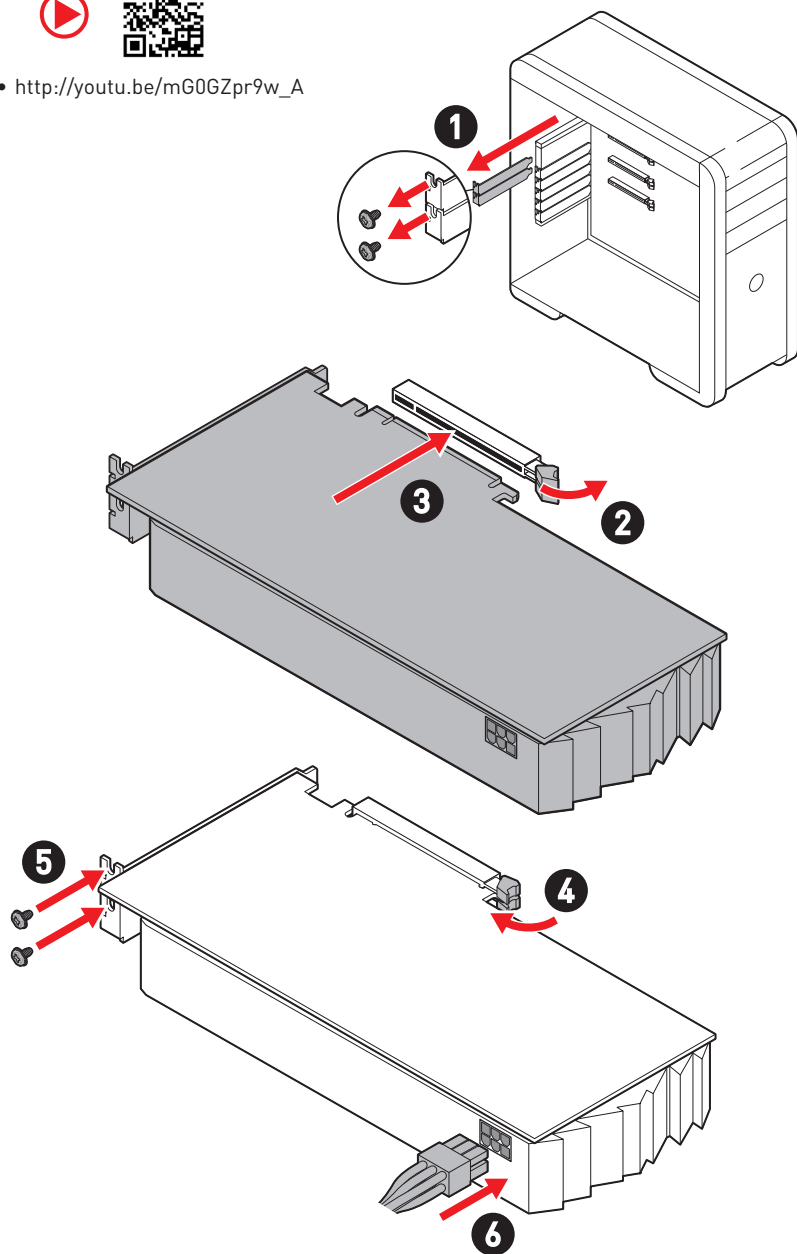
• <http://youtu.be/RZsMpqxythc>



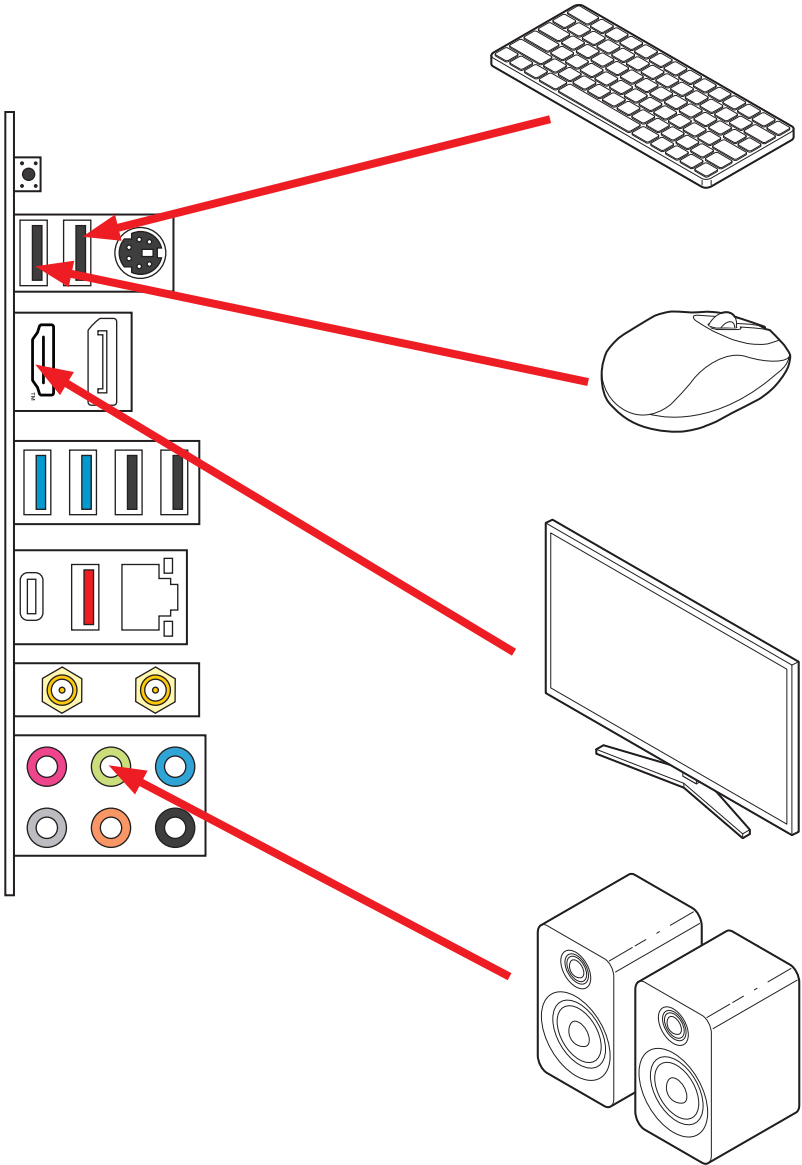
安裝顯卡



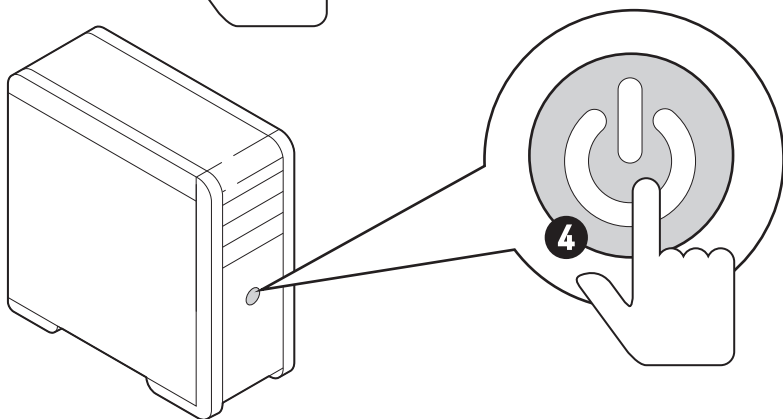
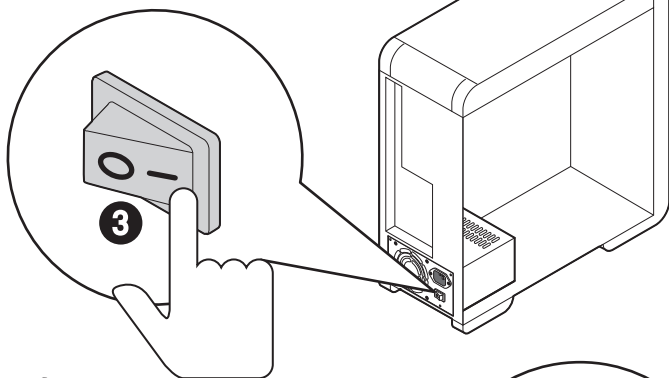
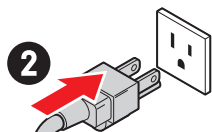
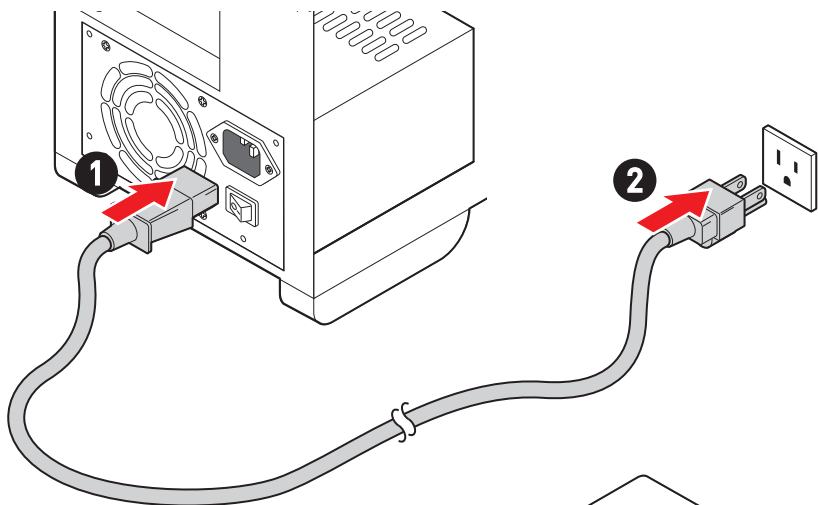
• http://youtu.be/mG0GZpr9w_A



連接周邊裝置



開啟電源



規格

CPU	<ul style="list-style-type: none"> • 支援Intel® Core™ 14代/ 13代/ 12代處理器、Intel® Pentium® Gold 和 Celeron® 處理器* • 處理器架構 LGA1700 <p>* 如有更新的處理器發表時，請造訪 www.msi.com 網站以獲取最新的支援狀態。</p>
晶片組	Intel® Z790 晶片組
支援記憶體	<ul style="list-style-type: none"> • 4 條 DDR5 插槽，支援總合最高 192GB* • 支援 1R 5600 MHz (透過 JEDEC & POR) • 最大超頻： <ul style="list-style-type: none"> • 1DPC 1R 支援最高 7200+ MHz 記憶體 • 1DPC 2R 支援最高 6600+ MHz 記憶體 • 2DPC 1R 支援最高 6400+ MHz 記憶體 • 2DPC 2R 支援最高 5600+ MHz 記憶體 • 支援 Intel® XMP 3.0 OC • 支援雙控制雙通道模式 • 支援 non-ECC，無緩衝記憶體 <p>*請造訪 www.msi.com 網站，以了解詳細的記憶體相容資訊。</p>
擴充插槽	<ul style="list-style-type: none"> • 3 個 PCIe x16 插槽 <ul style="list-style-type: none"> • PCI_E1 插槽 (源於 CPU) <ul style="list-style-type: none"> • 最高可支援 PCIe 5.0 x16 • PCI_E3 & PCI_E4 插槽 (源於 Z790 晶片組) <ul style="list-style-type: none"> • PCI_E3 最高可支援 PCIe 4.0 x4 • PCI_E4 最高可支援 PCIe 3.0 x1 • 1 個 PCIe x1 插槽 (源於 Z790 晶片組) <ul style="list-style-type: none"> • PCI_E2 最高可支援 PCIe 3.0 x1
內建顯示卡	<ul style="list-style-type: none"> • 1 個具備有 HDR 的 HDMI™ 2.1 連接埠，支援最高解析度 4K 60Hz** • 1 個具備有 HBR2 的 DisplayPort 1.4 連接埠，支援最高解析度 4K 60Hz** <p>* 僅適用於帶有內建顯示卡的處理器。</p> <p>** 顯卡規格取決於已安裝的處理器。</p>
SATA 連接埠	<ul style="list-style-type: none"> • 6 個 SATA 6Gb/s 連接埠 (源於 Z790 晶片組)

接下頁

<p>M.2 SSD 插槽</p>	<ul style="list-style-type: none"> • 4 個 M.2 插槽 (M 鍵) <ul style="list-style-type: none"> • M2_1 插槽 (源於 CPU) <ul style="list-style-type: none"> • 最高可支援 PCIe 4.0 x4 • 支援 2242/ 2260/ 2280/ 22110 規格儲存裝置 • M2_2 插槽 (源於 Z790 晶片組) <ul style="list-style-type: none"> • 最高可支援 PCIe 4.0 x4 • 支援 2242/ 2260/ 2280 規格儲存裝置 • M2_3 插槽 (源於 Z790 晶片組) <ul style="list-style-type: none"> • 最高可支援 PCIe 4.0 x4 • 支援 SATA 6Gb/s • 支援 2242/ 2260/ 2280 規格儲存裝置 • M2_4 插槽 (源於 Z790 晶片組) <ul style="list-style-type: none"> • 最高可支援 PCIe 4.0 x4 • 支援 SATA 6Gb/s • 支援 2242/ 2260/ 2280 規格儲存裝置
<p>RAID</p>	<ul style="list-style-type: none"> • 支援以 SATA 儲存裝置創建 RAID 0、RAID 1、RAID 5 和 RAID 10 • 支援以 M.2 NVMe 儲存裝置創建 RAID 0、RAID 1、RAID 5 和 RAID 10
<p>音效</p>	<p>Realtek® ALC897 解碼晶片</p> <ul style="list-style-type: none"> • 7.1 聲道高音質音效
<p>網路</p>	<ul style="list-style-type: none"> • 1 個 Intel® 2.5Gbps 網路控制器
<p>無線 LAN & Bluetooth®</p>	<p>Intel® Wi-Fi 6E</p> <ul style="list-style-type: none"> • 無線模組已預先安裝於 M.2 (E 鍵) 插槽 • 支援 MU-MIMO TX/RX、2.4GHz/ 5GHz/ 6GHz* (160MHz) 最高可達 2.4Gbps • 支援 802.11 a/ b/ g/ n/ ac/ ax • 支援 Bluetooth® 5.3**、FIPS、FISMA <p><small>*使用 Wi-Fi 6GHz 頻段需搭配 Windows 11 的支援，並須遵循每個國家/地區的法規。</small></p> <p><small>** 藍牙版本可能會更新，請參考 Wi-Fi 晶片組廠商的網站以了解詳情。</small></p>

承上頁

電源接頭	<ul style="list-style-type: none">• 1 個 24-pin ATX 主電源接頭• 2 個 8-pin +12V 電源接頭
內建 USB 接頭	<ul style="list-style-type: none">• 1 個 USB 3.2 Gen 2 10Gbps Type-C 前面板連接埠 (源於 Z790 晶片組)• 2 個 USB 3.2 Gen 1 5Gbps 接頭 (源於 Z790 晶片組)<ul style="list-style-type: none">• 可另支援 4 個 USB 3.2 Gen 1 5Gbps 連接埠• 2 個 USB 2.0 接頭 (源於 Hub-GL850G)<ul style="list-style-type: none">• 可另支援 4 個 USB 2.0 連接埠
風扇電源接頭	<ul style="list-style-type: none">• 1 個 4-pin CPU 風扇接頭• 1 個 4-pin 水冷接頭• 6 個 4-pin 系統風扇接頭
系統接頭	<ul style="list-style-type: none">• 1 個面板音效接頭• 2 個系統面板接頭• 1 個機殼開啟接頭• 1 個 TPM 模組接頭• 1 個調試控制器接頭• 1 個 USB4 擴充卡接頭 (支援 RTD3)
跳線	<ul style="list-style-type: none">• 1 個清除 CMOS 功能跳線
LED 功能	<ul style="list-style-type: none">• 4 個 EZ 偵錯 LED 指示燈• 2 個 4-pin RGB LED 接頭• 2 個 3-pin A-RAINBOW V2 (ARGB Gen2) LED 接頭

接下頁

<p>背板接頭</p>	<ul style="list-style-type: none"> • 1 個 Flash BIOS 按鈕 • 1 個 PS /2 連接埠 • 4 個 USB 2.0 Type-A 連接埠 (源於 Z790 晶片組) • 1 個 DisplayPort 連接埠 • 1 個 HDMI™ 連接埠 • 1 個 LAN (RJ45) 接頭 • 2 個 USB 3.2 Gen 1 5Gbps Type-A 連接埠 (源於 Z790 晶片組) • 1 個 USB 3.2 Gen 2 10Gbps Type-A 連接埠 (源於 Z790 晶片組) • 1 個 USB 3.2 Gen 2x2 20Gbps Type-C 連接埠 (源於 Z790 晶片組) • 2 個 Wi-Fi 天線接頭 • 6 個音效接頭
<p>I/O 控制器</p>	<p>NUVOTON NCT6687 控制晶片</p>
<p>硬體監控</p>	<ul style="list-style-type: none"> • CPU/系統/晶片組溫度偵測 • CPU/系統/水冷風扇速度偵測 • CPU/系統/水冷風扇速度控制
<p>尺寸</p>	<ul style="list-style-type: none"> • ATX • 244 x 305 公釐 (9.6 x 12 英吋)
<p>BIOS 功能</p>	<ul style="list-style-type: none"> • 1 個 256 Mb flash • UEFI AMI BIOS • ACPI 6.4、SMBIOS 3.5 • 多國語
<p>軟體</p>	<ul style="list-style-type: none"> • 驅動程式 • MSI Center • Intel Extreme Tuning Utility • CPU-Z MSI GAMING • 諾頓 360 • AIDA64 Extreme - 微星版 • Adobe Creative Cloud • Acrobat

專屬特色

MSI Center

- Mystic Light
- Ambient Link
- Frozr AI Cooling
- User Scenario
- True Color
- Live Update
- 硬體監測器
- Super Charger
- Devices Speed Up
- Smart Image Finder
- MSI Companion
- System Diagnosis

散熱特色

- 擴充散熱片設計
- M.2 Shield Frozr
- K7 MOSFET 導熱墊片/延伸電感導熱墊片
- 風扇針腳 (CPU + PUMP + SYSTEM)

效能

- 核心加速引擎
- VRM 電源設計 (VCPU / VGT / AUX)
- 雙 CPU Power
- Memory Boost
- Lightning Gen 5 PCI-E
- Lightning Gen 4 PCI-E / M.2 插槽
- 前置 USB Type-C
- 伺服器等級 PCB
- 2 盎司銅強化 PCB 設計

友善 DIY

- PCI-E 鋼鐵裝甲
- 簡易 M.2 卡扣
- 除錯 LED 指示燈
- EZ LED 指示燈控制
- Flash BIOS 按鈕
- 預先裝設的 I/O 擋板

音效

- 音皇技術

RGB Support

- 炫彩效果延伸接頭 (RGB)
- 炫彩效果延伸接頭 (A-RAINBOW V2)
- Ambient Link

BIOS

- 第五代圖形化 BIOS

包裝內容

請檢查您的主機板包裝的內容，應包含：

板卡

- 1 個主機板

文件

- 1 份快速指引
- 1 份歐盟安規聲明

軟體

- 1 個驅動程式 DVD

連接線

- 2 條 SATA 6Gb/s 連接線

配件

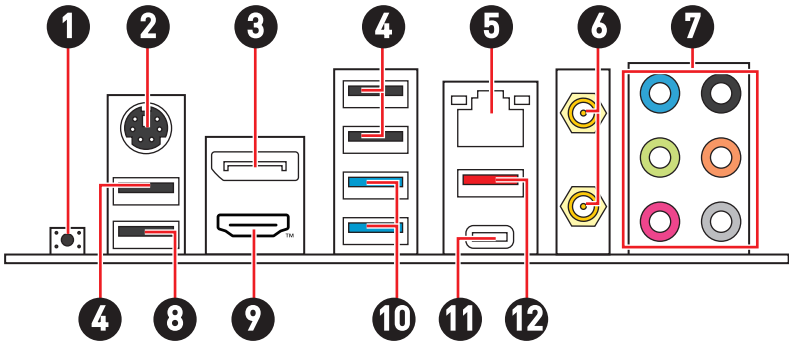
- 1 組 Wi-Fi 天線套件
- 2 包簡易 M.2 卡扣 (1 組/包)
- 1 包 M.2 螺絲 + 螺柱 (1 組/包)



重要

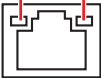
如果上述任何物品有損壞或遺失的情況，請與您當地的零售商聯繫。

後側面板接頭



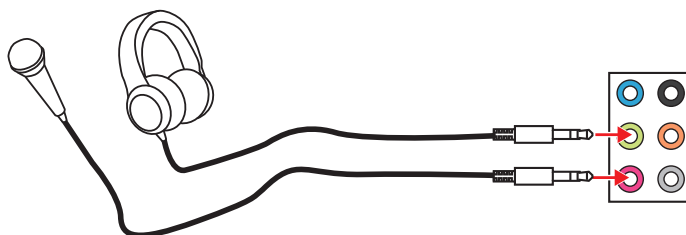
項目	說明
1	Flash BIOS 按鈕
2	PS/2 連接埠
3	DisplayPort
4	USB 2.0 Type-A 連接埠 (源於 Z790 晶片組)
5	2.5 Gbps 網路 (RJ45) 接頭
6	Wi-Fi 天線接頭
7	音效接頭
8	USB 2.0 Type-A 連接埠 (源於 Z790 晶片組) • Flash BIOS 連接埠
9	HDMI™ 連接埠 HDMI™ HIGH-DEFINITION MULTIMEDIA INTERFACE
10	USB 3.2 Gen 1 5Gbps Type-A 連接埠 (源於 Z790 晶片組)
11	USB 3.2 Gen 2x2 20Gbps Type-C 連接埠 (源於 Z790 晶片組)
12	USB 3.2 Gen 2 10Gbps Type-A 連接埠 (源於 Z790 晶片組)

網路連接埠 LED 燈狀態表

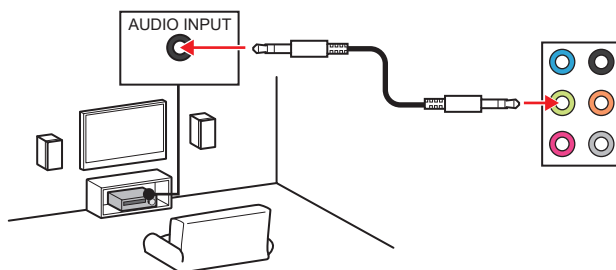
連線/工作燈號			速度燈號	
狀態	說明		狀態	速度
關閉	未連線		關閉	10 Mbps
黃燈	已連線		綠燈	100/ 1000 Mbps
閃爍	資料傳輸中		橘燈	2.5 Gbps

音效接頭連接示意圖

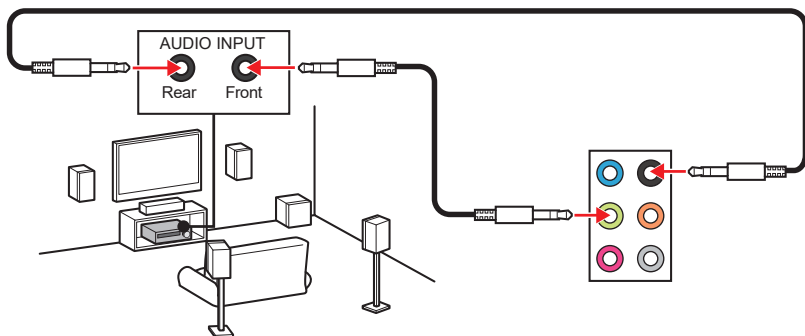
連接耳機與麥克風插孔示意圖



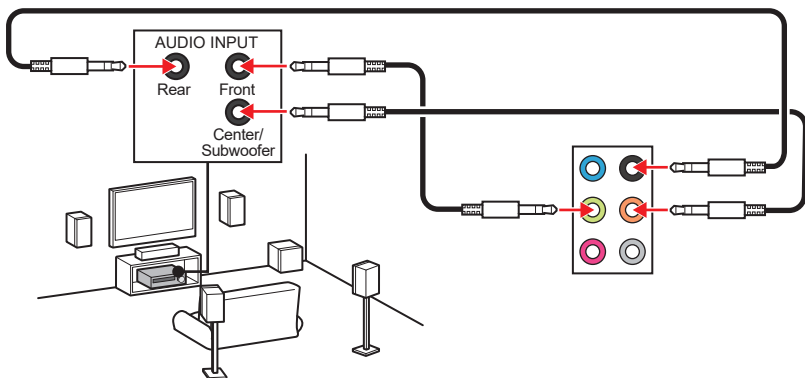
連接立體聲喇叭插孔示意圖



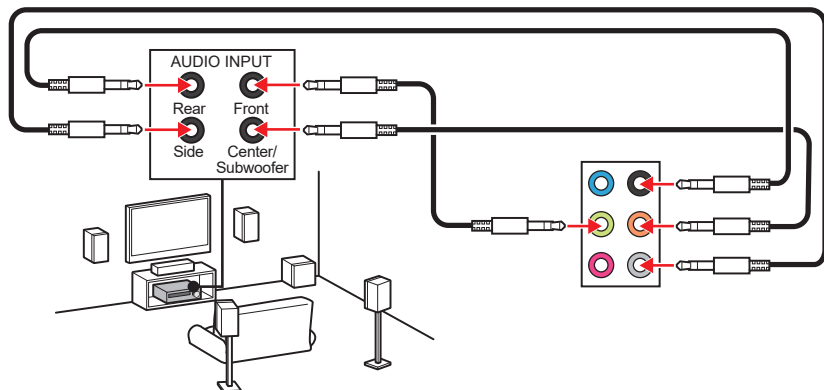
連接 4 聲道喇叭插孔示意圖



連接 5.1 聲道喇叭插孔示意圖

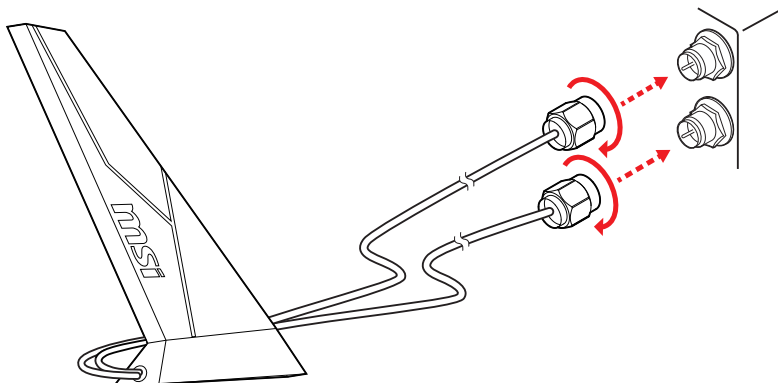


連接 7.1 聲道喇叭插孔示意圖

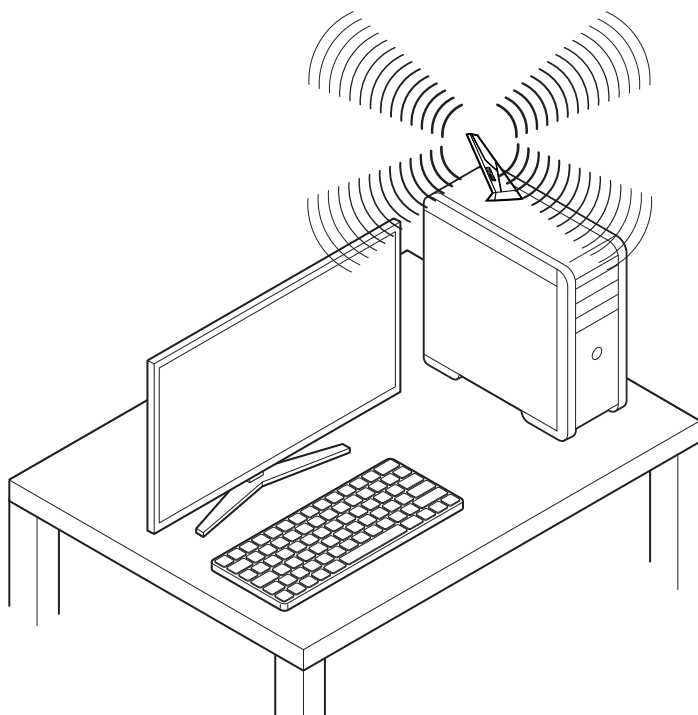


安裝天線

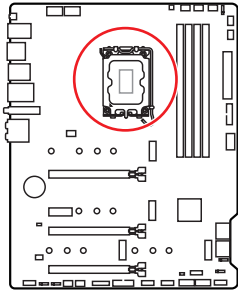
1. 將兩支天線鎖緊 Wi-Fi 天線接頭上，如圖所示。



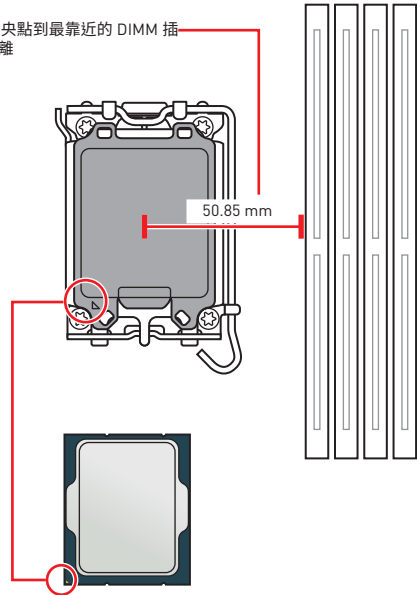
2. 盡量將天線放置在高處。



CPU 腳座



CPU 中央點到最近的 DIMM 插槽之距離



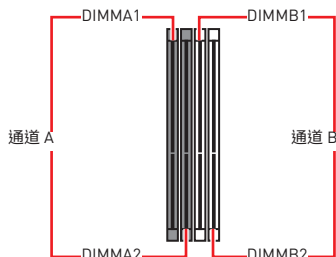
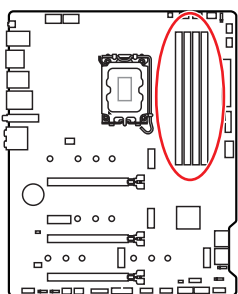
LGA1700 CPU 介紹

LGA1700 CPU 正面有四個凹槽與一個金色三角形，以利處理器能正確地裝入主機板的腳座。金色三角形即是第一腳位所在的位置。

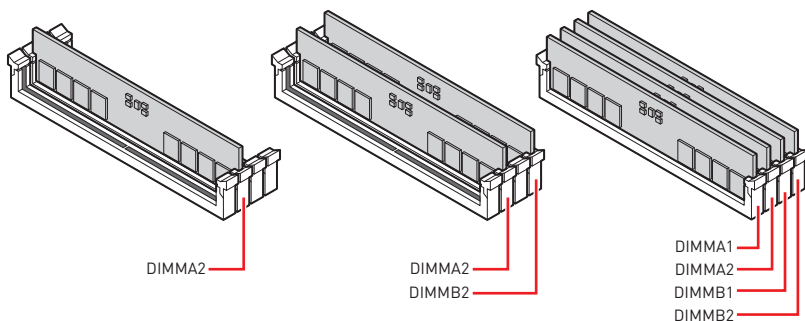
重要

- 請務必先將電源線由電源插座移除，再安裝或取下中央處理器。
- CPU 安裝後，仍請將 CPU 腳座的保護蓋留存。日後若需送修主機板，腳座上必須裝有保護蓋，才符合微星的 Return Merchandise Authorization (RMA) 要求，以保固維修主機板。
- 安裝 CPU 後，請務必在其上裝散熱器。CPU 須裝有散熱器才能避免過熱，並維持系統穩定。
- 務必確認 CPU 已與散熱器緊密地結合，再啟動電腦系統。
- 溫度過高會嚴重損壞 CPU 和系統。請確保散熱器正常運作，以免 CPU 過熱。請於 CPU 與散熱器間均勻塗抹散熱膏或貼上耐溫膠帶以加強散熱。
- 若 CPU 未安裝在主機板上，請務必將 CPU 腳座的保護蓋裝回腳座上。
- 如果您選購的是獨立包裝的處理器與散熱器/風扇，請參閱散熱器/風扇包裝內的文件，以了解詳細的安裝方式。
- 本主機板雖設計為可支援超頻，但在進行超頻之前，請確認系統的其他零組件可承受超頻設定。不建議進行任何超出本產品規格以外的操作，MSI® 亦無法保證此類操作所可能造成的損壞及風險。

記憶體插槽



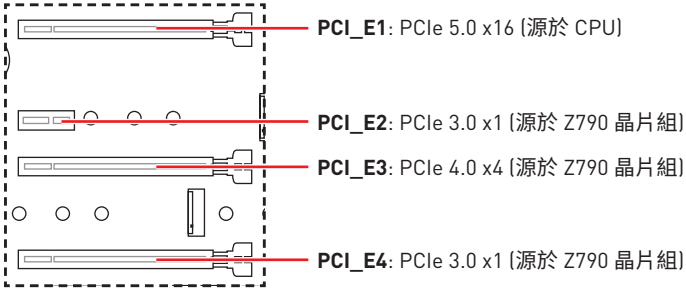
記憶體模組安裝建議



⚠ 重要

- 安裝記憶體時，請務必由 **DIMMA2** 插槽開始安裝。
- 為確保系統穩定，雙通道模式，請務必安裝相同規格、容量、密度的記憶體模組。
- 記憶體頻率是依照其 Serial Presence Detect (SPD) 運作。在超頻過程中，部分記憶體模組，可能會以比其標示頻率低的數值運作；如果您希望記憶體模組以符合其標示頻率或更高的頻率運作，請進入 BIOS 選單並找到 **DRAM Frequency** 項目設定。
- 要在主機板的所有記憶體插槽都裝上記憶體模組，或是要進行超頻時，建議您使用更高效的記憶體散熱系統。
- 超頻時，記憶體模組之穩定性與相容性，將取決於您所安裝的 CPU 及裝置。
- 請造訪 www.msi.com 網站，以了解詳細的記憶體相容資訊。

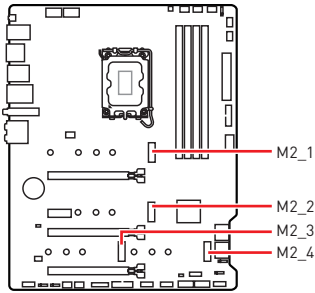
PCI_E1~4: PCIe 擴充插槽



重要

- 若安裝大型顯卡，需要使用工具如 **MSI 顯卡支撐架**，以支撐其重量和防止插槽變形。
- 如果只安裝一張 PCIe x16 擴充卡，為獲得最佳效能建議安裝到 **PCI_E1** 插槽。
- 新增或移除擴充卡時，請確認已關機並拔除電源線。請詳讀擴充卡說明文件，以了解所需變更的軟硬體設定。

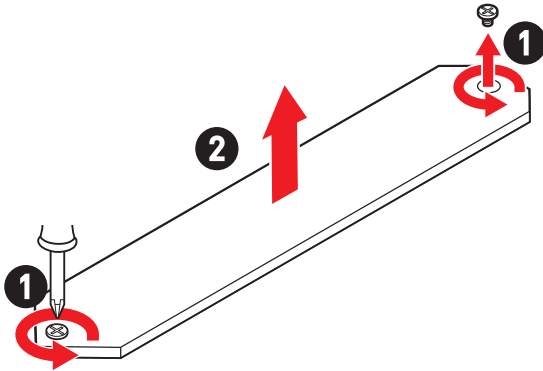
M2_1~4: M.2 插槽 (M 鍵)



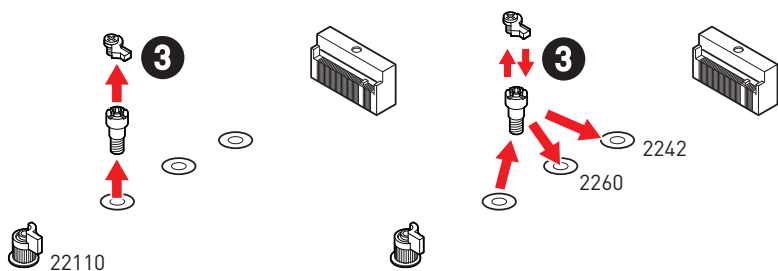
- Intel® RST 僅支援 PCIe M.2 SSD 搭配 UEFI ROM。
- 如果您的 M.2 SSD 已內建散熱片，在安裝 M.2 SSD 前，請先拔除 M.2 插槽的 M.2 橡膠方塊。請勿再安裝主機板提供的散熱片。

安裝 M.2 模組到 M2_1 插槽

1. 將 M.2 Shield Frozr 散熱片的螺絲取下。
2. 抬起 M.2 Shield Frozr 散熱片並取下。

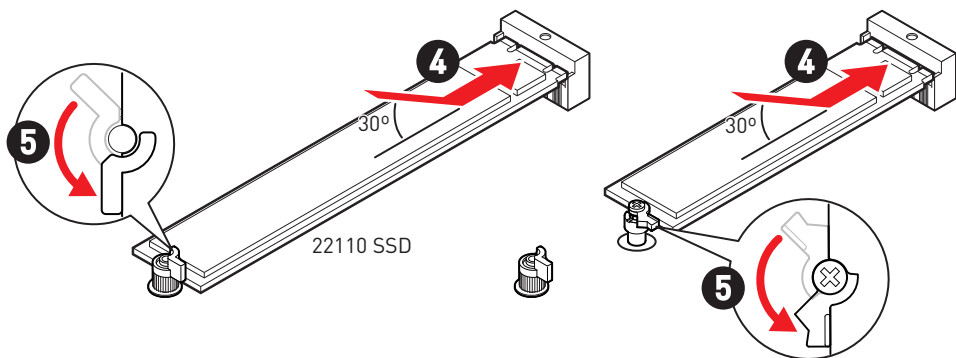


3. 依照您的 SSD 裝置的長度取下或更換螺絲。如果您安裝的 2280 SSD，請跳過此步驟。

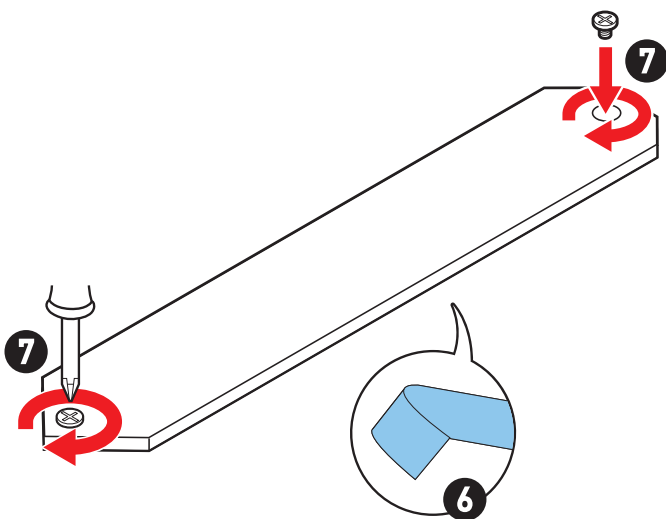


4. 將 M.2 SSD 以 30 度角插入 M.2 插槽。

5. 旋轉簡易 M.2 卡扣固定 M.2 SSD。

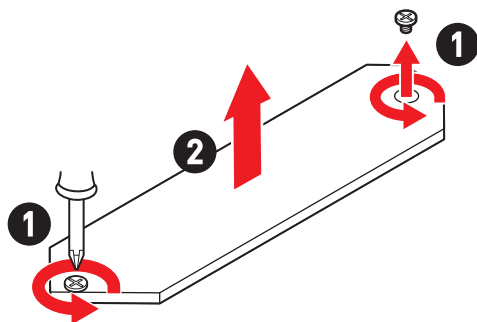


6. 取下 M.2 Shield Frozr 散熱片底部散熱墊上的保護膠片。
7. 將 M.2 Shield Frozr 散熱片放回原位並以螺絲鎖上。

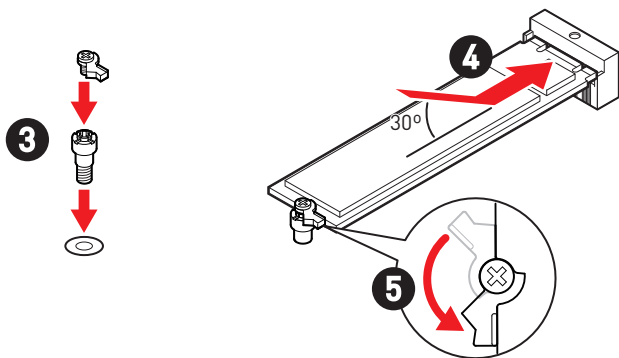


安裝 M.2 模組到 M2_2 插槽

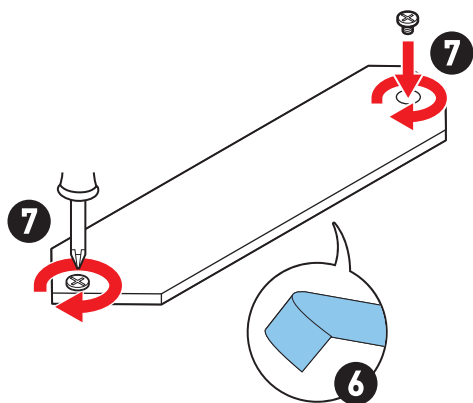
1. 將 M.2 Shield Frozr 散熱片的螺絲取下。
2. 抬起 M.2 Shield Frozr 散熱片並取下。



3. 請依照您 SSD 裝置的長度安裝隨附的簡易 M.2 卡扣套件。如果您安裝的 2280 SSD，請跳過此步驟。
4. 將 M.2 SSD 以 30 度角插入 M.2 插槽。
5. 旋轉簡易 M.2 卡扣固定 M.2 SSD。如果您安裝的 2280 SSD，請跳過此步驟。

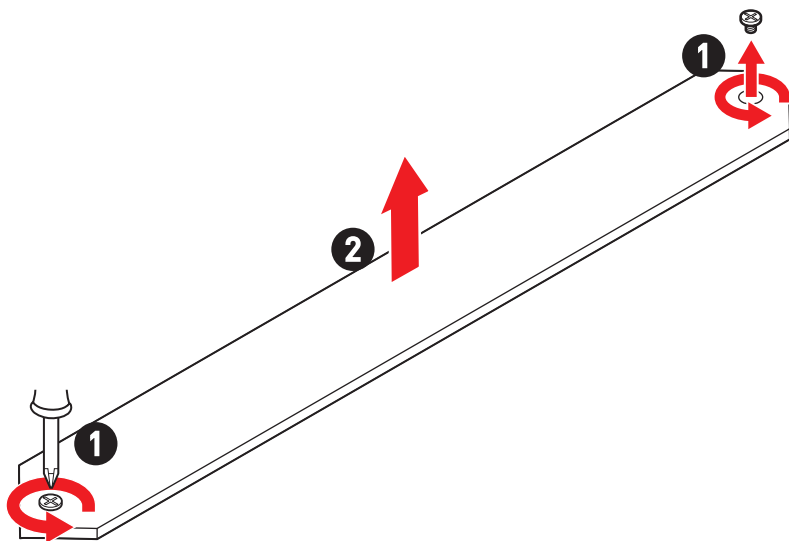


6. 取下 M.2 Shield Frozr 散熱片底部散熱墊上的保護膠片。
7. 將 M.2 Shield Frozr 散熱片放回原位並以螺絲鎖上。

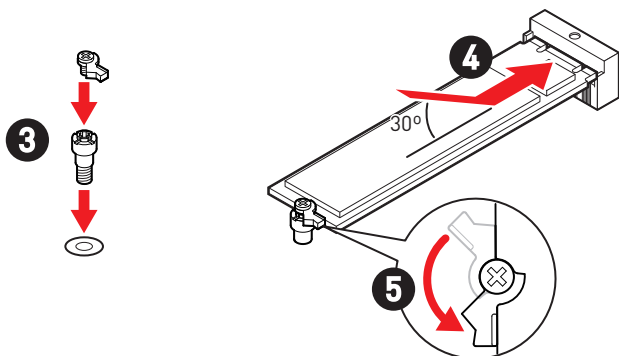


安裝 M.2 模組到 M2_3 插槽

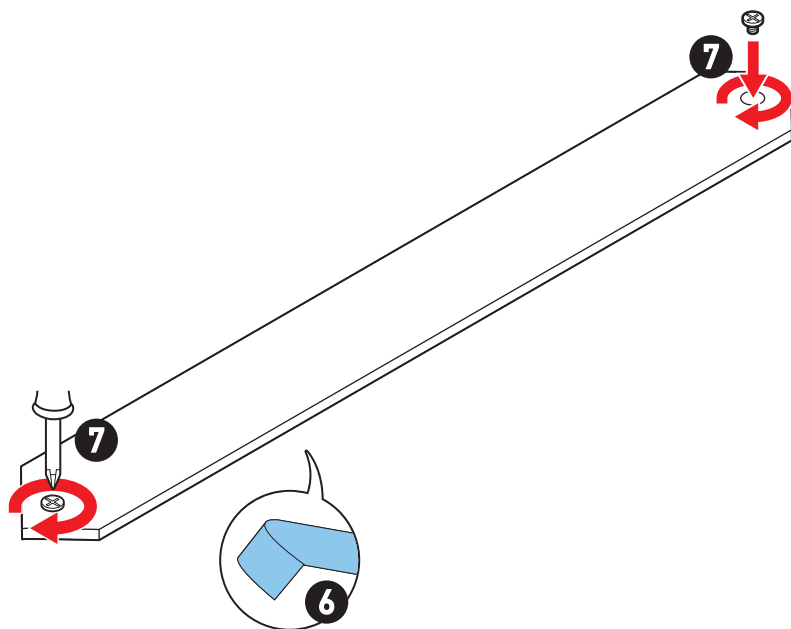
1. 將 M.2 Shield Frozr 散熱片的螺絲取下。
2. 抬起 M.2 Shield Frozr 散熱片並取下。



3. 請依照您 SSD 裝置的長度安裝隨附的簡易 M.2 卡扣套件。如果您安裝的 2280 SSD，請跳過此步驟。
4. 將 M.2 SSD 以 30 度角插入 M.2 插槽。
5. 旋轉簡易 M.2 卡扣固定 M.2 SSD。

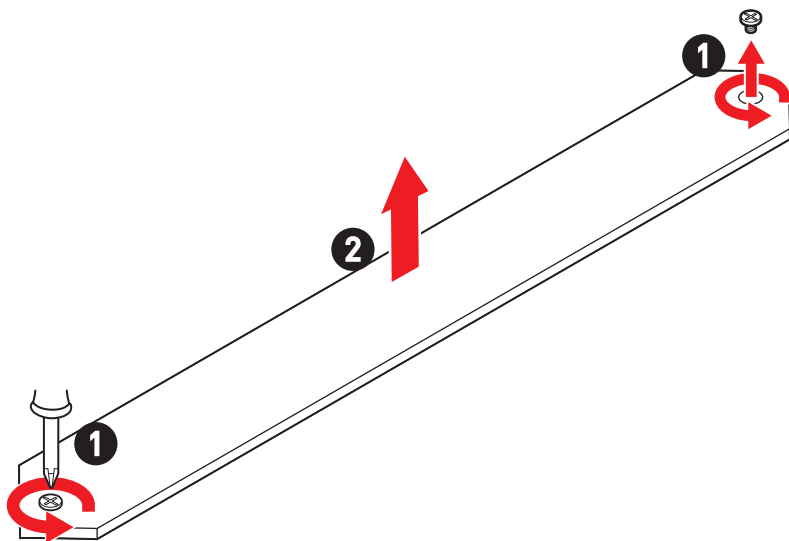


6. 取下 M.2 Shield Frozr 散熱片底部散熱墊上的保護膠片。
7. 將 M.2 Shield Frozr 散熱片放回原位並以螺絲鎖上。

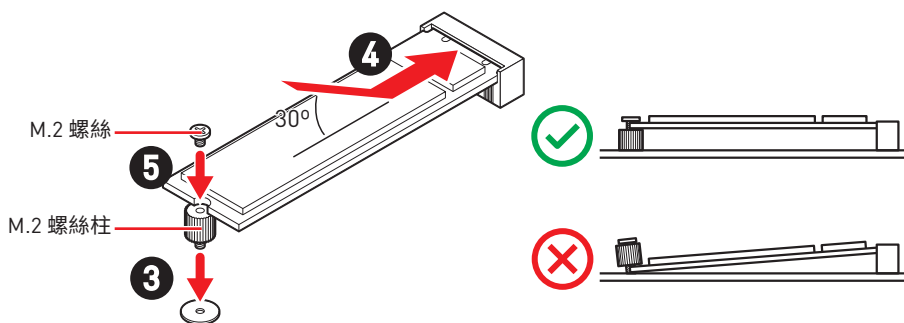


安裝 M.2 模組到 M2_4 插槽

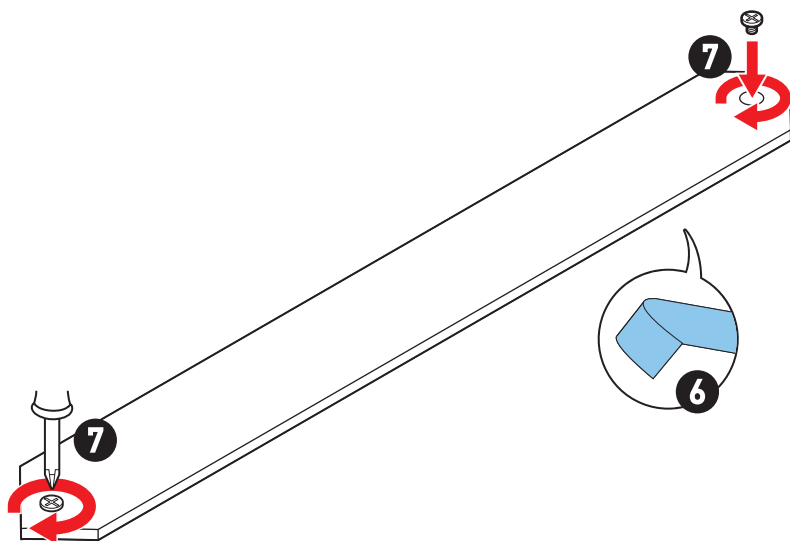
1. 將 M.2 Shield Frozr 散熱片的螺絲取下。
2. 抬起 M.2 Shield Frozr 散熱片並取下。



3. 請依照您 SSD 裝置的長度安裝隨附的 M.2 螺柱。
4. 將 M.2 SSD 以 30 度角插入 M.2 插槽。
5. 請將 M.2 SSD 以 M.2 螺絲鎖上。

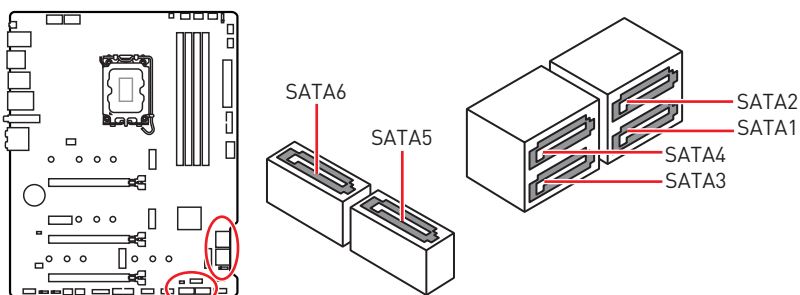


6. 取下 M.2 Shield Frozr 散熱片底部散熱墊上的保護膠片。
7. 將 M.2 Shield Frozr 散熱片放回原位並以螺絲鎖上。



SATA1~6: SATA 6Gb/s 插孔

這些插孔是 SATA 6Gb/s 介面連接埠。每個插孔皆可連接一個 SATA 裝置。

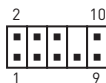
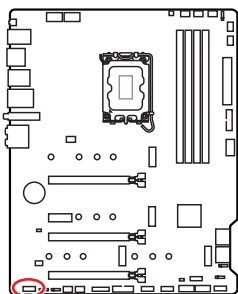


重要

- SATA 排線不可摺疊超過 90 度，以免傳輸資料時產生錯誤。
- SATA 排線兩端接頭外觀相似，建議將平頭端接到主機板，以節省空間。

JAUD1: 前置音效插孔

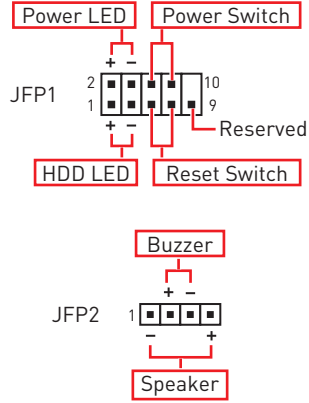
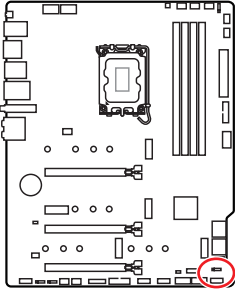
本插孔用於連接前面板的音訊插孔。



接腳	訊號名稱	接腳	訊號名稱
1	MIC L	2	Ground
3	MIC R	4	NC
5	Head Phone R	6	MIC Detection
7	SENSE_SEND	8	No Pin
9	Head Phone L	10	Head Phone Detection

JFP1、JFP2: 系統面板接頭

JFP1 接頭控制電腦機殼/機箱上的電源開啟、重新開機和 LED 指示燈。Power Switch/Reset Switch 接頭允許您連接電源按鈕、重新開機按鈕。Power LED 指示燈接頭連接到電腦機殼上的 LED 燈，HDD LED 指示燈接頭顯示硬碟的使用情況。JFP2 接頭用於 Buzzer (蜂鳴器)和 Speaker (喇叭)。請參閱以下圖片連接電腦機殼的連接線到正確的接腳。

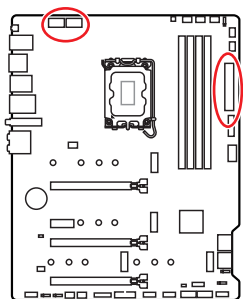


重要

請注意 Power LED 指示燈和 HDD LED 指示燈有正極和負極接頭，您需要將連接線連接到相應的正極和負極連接埠。否則，LED 指示燈將無法正常運作。

CPU_PWR1~2、ATX_PWR1: 電源接頭

這些接頭能讓您連接 ATX 電源供應器。

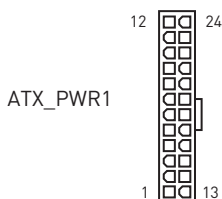
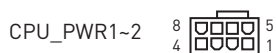


CPU_PWR1~2

接腳	訊號名稱	接腳	訊號名稱
1	Ground	2	Ground
3	Ground	4	Ground
5	+12V	6	+12V
7	+12V	8	+12V

ATX_PWR1

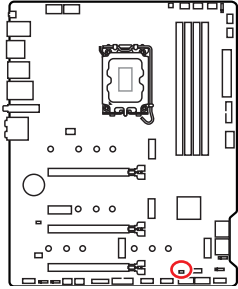
接腳	訊號名稱	接腳	訊號名稱
1	+3.3V	2	+3.3V
3	Ground	4	+5V
5	Ground	6	+5V
7	Ground	8	PWR OK
9	5VSB	10	+12V
11	+12V	12	+3.3V
13	+3.3V	14	-12V
15	Ground	16	PS-ON#
17	Ground	18	Ground
19	Ground	20	Res
21	+5V	22	+5V
23	+5V	24	Ground




請確認所有電源排線，皆已穩固連接到適當的 ATX 電源供應器，確保主機板穩定操作。

JCI1: 機殼開啟接頭

此接頭可連接機殼開啟開關排線。




一般 (預設
值)


觸動機殼開啟事件

使用機殼開啟偵測器

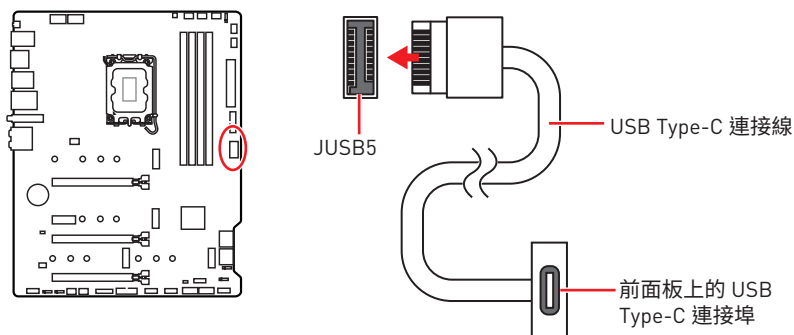
1. 連接 JCI1 插孔和機殼上的機殼開啟開關/感測器。
2. 關閉機殼蓋。
3. 前往 BIOS > SETTINGS > Security > Chassis Intrusion Configuration。
4. 將 Chassis Intrusion 設定為 Enabled。
5. 按下 F10 儲存並離開,然後按 Enter 鍵選擇 Yes。
6. 之後若機殼蓋再次被開啟,電腦啟動後畫面上即會顯示警告訊息。

重設機殼開啟警告

1. 前往 BIOS > SETTINGS > Security > Chassis Intrusion Configuration。
2. 將 Chassis Intrusion 設定為 Reset。
3. 按下 F10 儲存並離開,然後按 Enter 鍵選擇 Yes。

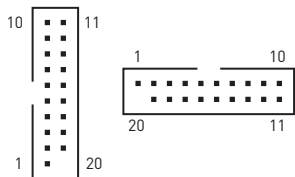
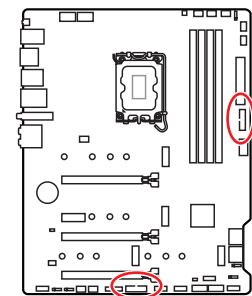
JUSB5: USB 3.2 Gen 2 Type-C 系統面板接頭

這個接頭可供連接前面板上的 USB 3.2 Gen 2 10Gbps Type-C 接頭，這些接頭具有防呆設計。請務必以相應的方向連接線纜。



JUSB3~4: USB 3.2 Gen 1 接頭

這些接頭用於連接前面板的 USB 3.2 Gen 1 5Gbps 連接埠。



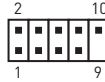
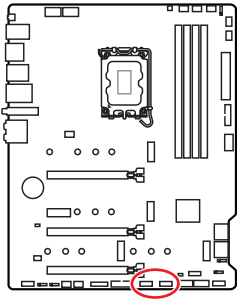
接腳	訊號名稱	接腳	訊號名稱
1	Power	2	USB3_RX_DN
3	USB3_RX_DP	4	Ground
5	USB3_TX_C_DN	6	USB3_TX_C_DP
7	Ground	8	USB2.0-
9	USB2.0+	10	Ground
11	USB2.0+	12	USB2.0-
13	Ground	14	USB3_TX_C_DP
15	USB3_TX_C_DN	16	Ground
17	USB3_RX_DP	18	USB3_RX_DN
19	Power	20	No Pin



請注意，電源和接地接腳必須正確連接，以免造成組件受損。

JUSB1~2: USB 2.0 接頭

這些接頭用於連接前面板的 USB 2.0 連接埠。



接腳	訊號名稱	接腳	訊號名稱
1	VCC	2	VCC
3	USB0-	4	USB1-
5	USB0+	6	USB1+
7	Ground	8	Ground
9	No Pin	10	NC

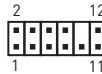
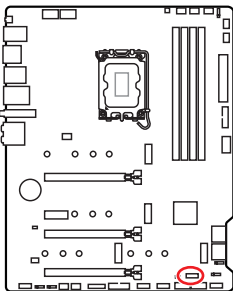


重要

- 請注意，VCC 和接地接腳必須正確連接，以免造成零件受損。
- 如要以 USB 連接埠對 iPad、iPhone 及 iPod 充電，請安裝 MSI Center 工具軟體。

JTPM1: TPM 模組接頭

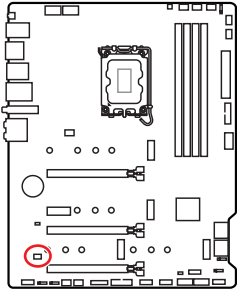
此接頭用於連接可信賴平台模組 (TPM)。請參閱 TPM 安全平台手冊瞭解更多詳情。



接腳	訊號名稱	接腳	訊號名稱
1	SPI Power	2	SPI Chip Select
3	Master In Slave Out (SPI Data)	4	Master Out Slave In (SPI Data)
5	Reserved	6	SPI Clock
7	Ground	8	SPI Reset
9	Reserved	10	No Pin
11	Reserved	12	Interrupt Request

JDASH1: 調試控制器接頭

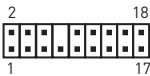
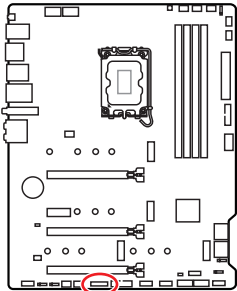
此接頭可連接選擇性配置的調試控制器模組。



接腳	訊號名稱	接腳	訊號名稱
1	No Pin	2	NC
3	MCU_SMB_SCL_M	4	MCU_SMB_SDA_M
5	VCC5	6	Ground

JTBT_U4_1: USB4 擴充卡接頭

此接頭用於連接 MSI USB4 PD100W 擴充卡。



接腳	訊號名稱	接腳	訊號名稱
1	TBT_Force_PWR	2	TBT_S0IX_Entry_REQ
3	TBT_CIO_Plug_Event#	4	TBT_S0IX_Entry_ACK
5	SLP_S3#_TBT	6	TBT_PSON_Override_N
7	SLP_S5#_TBT	8	Net Name
9	Ground	10	SMBCLK_VSB
11	DG_PEWake	12	SMBDATA_VSB
13	TBT_RTD3_PWR_EN	14	Ground
15	TBT_Card_DET_R#	16	PD_IRQ#
17	GPP_C22	18	GPP_E3

CPU_FAN1、PUMP_FAN1、SYS_FAN1~6: 風扇電源接頭

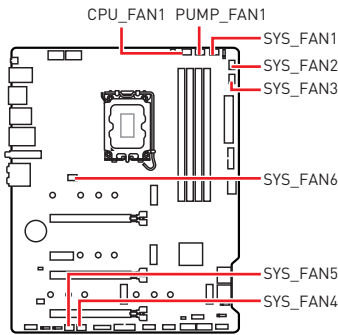
風扇電源接頭可分為脈寬調變 (PWM) 模式和 DC 模式。PWM 模式風扇插孔提供恆定 12V 輸出，並可透過速度控制訊號調整風扇速度。DC 模式插孔會變更電壓，藉此控制風扇速度。Auto 模式能自動偵測風扇的 PWM 與 DC 模式。

您可以在 **BIOS > HARDWARE MONITOR** 面板中控制風扇。允許您設定您的風扇類型為 DC 或 PWM。檢查**智慧風扇模式**，風扇速度會依據 CPU 或系統溫度進行變更。取消勾選**智慧風扇模式**，風扇將以最大速度旋轉。



重要

在切換 PWM/ DC 模式後，請確保風扇工作正常。



PWM 模式接腳定義

接腳	訊號名稱	接腳	訊號名稱
1	Ground	2	+12V
3	Sense	4	Speed Control Signal

DC 模式接腳定義

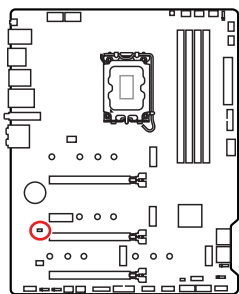
接腳	訊號名稱	接腳	訊號名稱
1	Ground	2	Voltage Control
3	Sense	4	NC

風扇接頭規格

接頭	預設風扇模式	最大電流	最大功率
CPU_FAN1	Auto 模式	2A	24W
PUMP_FAN1	PWM 模式	3A	36W
SYS_FAN1~6	DC 模式	1A	12W

JBAT1: 清除 CMOS (重置 BIOS) 功能跳線

主機板內建 CMOS 記憶體, 是利用主機板上的外接電池來保留系統設定。若要清除系統設定, 請將跳線設為清除 CMOS 記憶體。



保留資料
(預設值)



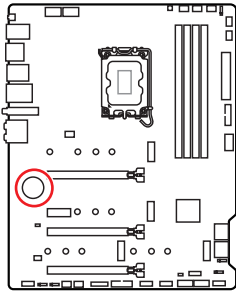
清除 CMOS/
重置 BIOS

重設 BIOS 至預設值

1. 關閉電腦電源並拔除電源線。
2. 使用跳接器蓋讓 **JBAT1** 短路持續約 5-10 秒。
3. 將跳接器蓋從 **JBAT1** 上取出。
4. 插入電源線並開啟電腦電源。

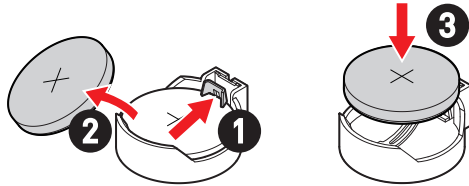
BAT1: CMOS 電池

如果 CMOS 電池電量不足，BIOS 中的時間將被重置，且系統設定資料將會流失。在此情況下，您需要更換 CMOS 電池。



更換 CMOS 電池

1. 按壓卡扣以彈出電池。
2. 從腳座上取下電池。
3. 安裝新的 CR2032 鈕扣電池，+ 標誌向上。請確認固定卡扣已將電池牢牢固定。



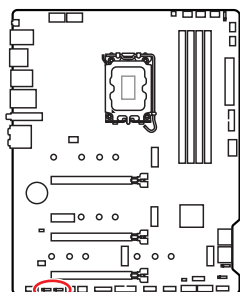
警告

避免兒童接觸

- 吞嚥會導致化學灼傷、軟組織穿孔，可能會危及生命安全。
- 嚴重的灼傷可能會在吞嚥後的 2 小時內發生。
- 如果您認為電池可能被吞嚥或放置在身體的任何部位，請立即就醫。

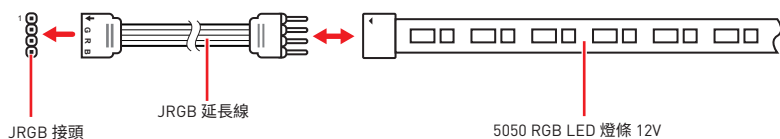
JRGB1~2: RGB LED 接頭

JRGB 接頭允許您連接 5050 RGB LED 燈條 (12V)。

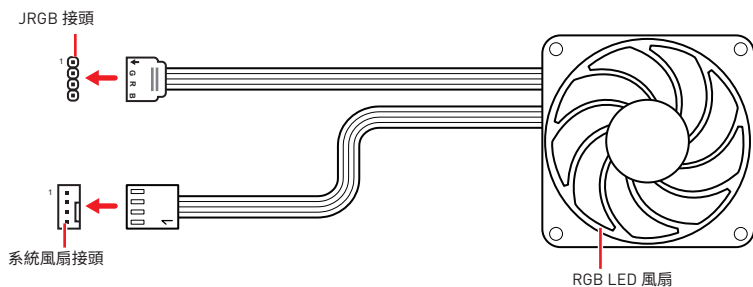


接腳	訊號名稱	接腳	訊號名稱
1	+12V	2	G
3	R	4	B

RGB LED 燈條連接示意圖



RGB LED 風扇連接示意圖

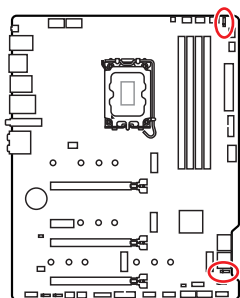


重要

- JRGB 接頭支援最長 2 公尺的 5050 RGB LED 燈條 (12V/G/R/B)，最大額定功率為 3A (12V)。
- 進行安裝或拔除 RGB LED 燈條前，請先關閉電源供應器，並將電源線由電源插座移除。
- 請使用 MSI 軟體來控制擴充的 LED 燈條。

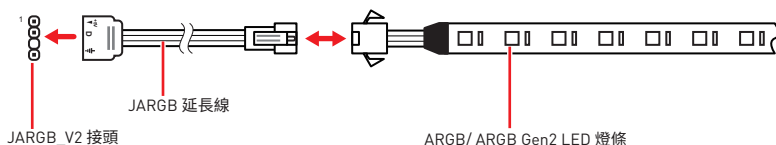
JARGB_V2_1~2: A-RAINBOW V2 (ARGB Gen2) LED 接頭

JARGB_V2 接頭允許您連接 ARGB Gen2 和基於 ARGB 規格的 LED 燈條。JARGB_V2 接頭最多可支援 240 個可個別定址 RGB LED 燈條，最大額定功率為 3A (5V)。

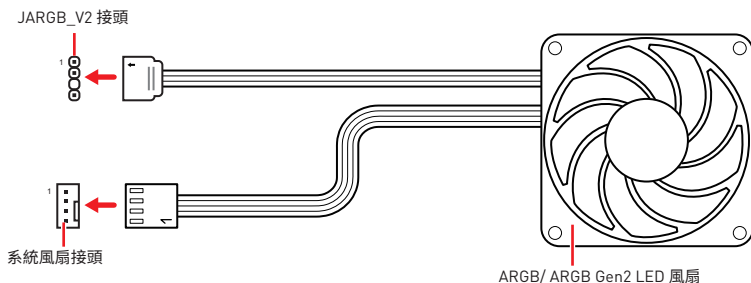


接腳	訊號名稱	接腳	訊號名稱
1	+5V	2	Data
3	No Pin	4	Ground

可定址 RGB LED 燈條連接示意圖



可定址 RGB LED 風扇連接示意圖



警告

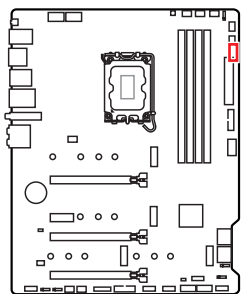
請勿連接錯誤類型的 LED 燈條。JRGB 接頭和 JARGB_V2 接頭提供不同的電壓，如誤將 ARGB 5V LED 燈條連接到 JRGB 接頭，將會造成此 LED 燈條損壞。

重要

- 我們強烈建議您安裝相同規格的 LED 燈條，以獲得最佳效果。
- 進行安裝或拔除可定址 RGB LED 燈條前，請先關閉電源供應器，並將電源線由電源插座移除。
- 請使用 MSI 軟體來控制擴充的 LED 燈條。

除錯 LED 指示燈

這些 LED 指示燈會表示主機板的偵錯狀態。



LED 顏色	狀態
紅色 ■	CPU 未偵測到或已故障
黃色 ■	DRAM 未偵測到或已故障
白色 □	GPU 未偵測到或已故障
綠色 ■	開機裝置未偵測到或已故障

安裝作業系統、驅動程式和 MSI Center

請至 www.msi.com 下載與更新最新版的工具軟體與驅動程式。

安裝 Windows 10/ Windows 11

1. 啟動電腦。
2. 將 Windows 10/ Windows 11 安裝光碟/ USB 置入電腦。
3. 按電腦機殼上的**重新啟動**按鈕。
4. 在電腦開機自我測試 (POST) 期間, 按 **F11** 鍵進入開機功能表。
5. 在開機功能表中選擇 Windows 10/ Windows 11 安裝光碟/ USB。
6. 如果螢幕顯示 **Press any key to boot from CD or DVD...** 訊息請按任意鍵。如果沒有, 請跳過此步驟。
7. 依照畫面指示, 安裝 Windows 10/ Windows 11。

使用 MSI® 驅動程式 DVD 安裝驅動程式

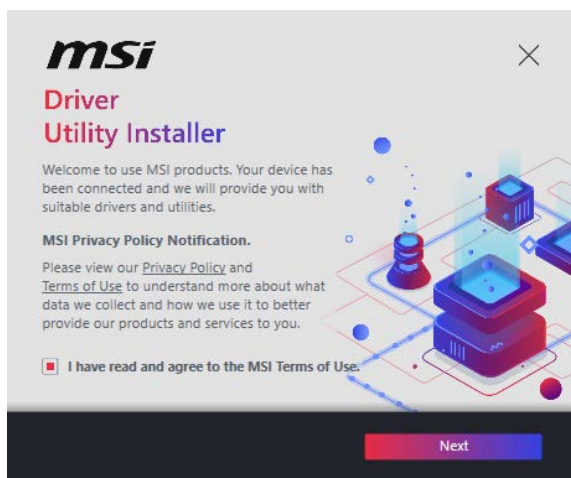
1. 啟動電腦進入 Windows 10/ Windows 11。
2. 將 MSI® 驅動程式 DVD 放到光碟機。
3. 點擊**選擇要針對此光碟執行的動作**的彈出通知, 然後選擇執行 **DVDSetup.exe** 以打開安裝程式。如果從 Windows 設定面板關閉自動播放功能, 仍然可以從 MSI 驅動程式 DVD 的根路徑手動執行 **DVDSetup.exe**。
4. 安裝程式將在**驅動程式/應用軟體**頁面中搜索並列出所有必要的驅動程式。
5. 按一下視窗右下角的**安裝**按鈕。
6. 接著會開始進行驅動程式安裝, 完成之後會要求您重新啟動電腦。
7. 按一下**確定**按鈕完成。
8. 重新啟動電腦。

安裝 MSI Driver Utility Installer 驅動程式安裝器

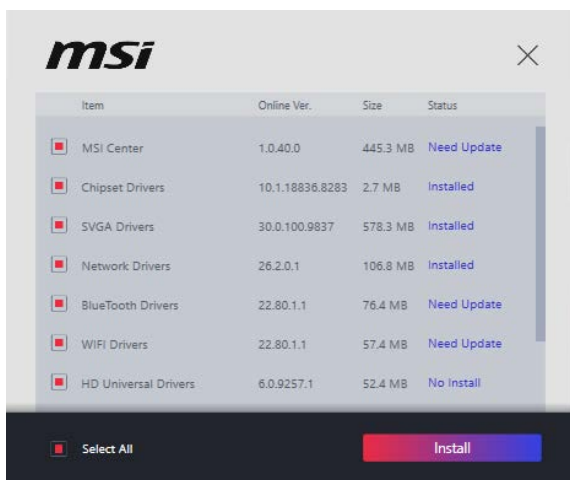


重要

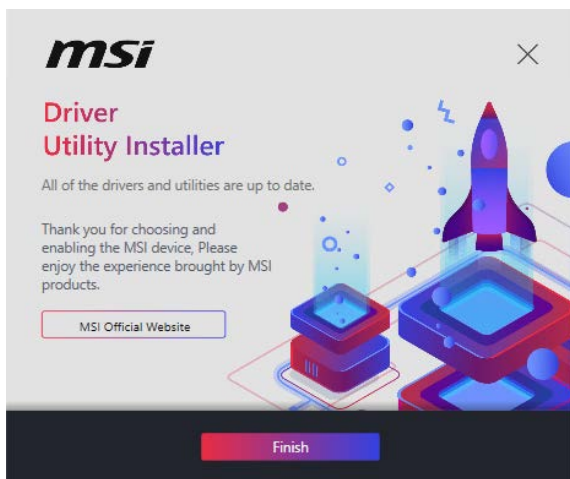
- Windows 10/ Windows 11 並無原生支援一些新的網路晶片。建議您在安裝 MSI Driver Utility Installer 驅動程式安裝器前安裝 **LAN 驅動程式**。請造訪 www.msi.com 網站，為主機板安裝 LAN 驅動程式。
 - MSI Driver Utility Installer 僅彈出一次。如果在過程中取消或關閉，請參閱 MSI Center 手冊中的 Live Update 章節安裝驅動程式。您也可以前往 www.msi.com 搜尋您的主機板和下載驅動程式。
 - MSI Driver Utility Installer 需要透過網際網路安裝。
1. 啟動電腦進入 Windows 10/ Windows 11。
 2. 選取開始>設定>更新與安全性，然後選擇檢查更新。
 3. MSI Driver Utility Installer 將會自動彈出。



4. 勾選 I have read and agree to the MSI Terms of Use，然後點擊 Next。



5. 勾選左下角的 **Select All**，然後按一下 **Install** 安裝 MSI Center 和驅動程式。安裝進度會顯示在底部。



6. 進度完成後，按一下 **Finish**。

MSI Center

MSI Center 是一款能幫助您更易優化遊戲設定並順利使用內容創作軟體的應用程式。除此之外，您還可以使用此應用程式來控制同步個人電腦以及其他 MSI 產品的 LED 燈光效果。使用 MSI Center，您可以自定義理想模式、監測系統性能和調整風扇速度。

MSI Center 使用者指南



如果您想了解更多關於 MSI Center，請參閱

<http://download.msi.com/manual/mb/MSICENTERCT.pdf>

或掃描 QR 碼以取得內容。



重要

功能可能因產品不同而異。

UEFI BIOS

MSI UEFI BIOS 與 UEFI (Unified Extensible Firmware Interface) 結構相容。UEFI 有許多傳統 BIOS 無法實現的新功能和優勢。它未來可完全取代 BIOS。MSI UEFI BIOS 使用 UEFI 作為預設啟動模式，充分利用新晶片組的功能。



重要

除非另有說明，否則本使用者指南中的 BIOS 所指的即是 UEFI BIOS。

UEFI 優勢

- 快速啟動 - UEFI 可直接啟動作業系統，並儲存 BIOS 自檢過程。同時也省去了 POST 期間切換到 CSM 模式的時間。
- 支援超過 2 TB 的硬碟分割區。
- 通過 GUID 分割表 (GPT) 支援四個以上的主分割區。
- 支援不限數量的分割區。
- 完全支援新設備 - 新設備可能不提供向後相容性。
- 支援安全啟動 - UEFI 可檢查作業系統的有效性，以確保沒有惡意軟體干預啟動過程。

不相容的 UEFI 情況

- **32 位 Windows 作業系統** - 此主機板僅支援 64 位 Windows 10/ Windows 11 作業系統。
- **較舊的顯示卡** - 系統將偵測你的顯示卡。若使用較舊的顯示卡，可能出現警告訊息 **There is no GOP (Graphics Output protocol) support detected in this graphics card.** 表示無法偵測到此顯示卡 GOP (Graphics Output protocol) 的支援。



重要

我們建議您更換為相容 GOP/UEFI 的顯示卡或使用 CPU 的內建顯示卡以確保功能正常。

如何檢查 BIOS 模式？

1. 開啟電腦電源。
2. 開機過程中畫面出現按 **DEL** 鍵進入設定功能表，按 **F11** 進入開機功能表時，按 **Delete** 鍵進入設定功能表。
3. 進入 BIOS 後，在畫面上方可檢查 **BIOS 模式**。

BIOS Mode: UEFI

BIOS 設定

預設值提供最佳效能，可在一般情況下達到系統穩定度。除非您熟悉 BIOS 設定，否則**請務必使用預設值**，以免系統受損或開機失敗。



重要

- BIOS 項目會持續更新達到更優異的系統效能。因此，說明內容可能會與最新的 BIOS 稍微不同，因此僅供參考。您亦可參閱 **HELP** 取得 BIOS 項目說明。
- BIOS 螢幕畫面、選項和設定會因系統不同而有差異。

進入 BIOS 設定

開機過程中畫面出現按 **DEL** 鍵進入設定功能表，按 **F11** 進入開機功能表時，按 **Delete** 鍵進入設定功能表。

功能鍵

- F1:** 一般說明
- F2:** 添加/刪除收藏項
- F3:** 進入我的最愛功能表
- F4:** 進入 CPU 規格功能表
- F5:** 進入 Memory-Z 功能表
- F6:** 載入最佳化預設值
- F7:** 在高級模式和 EZ 模式之間切換
- F8:** 載入超頻設定檔
- F9:** 儲存超頻設定檔
- F10:** 儲存變更與重設*
- F12:** 拍攝螢幕截圖並將其保存到 USB 隨身碟(僅 FAT/ FAT32 格式)。
- Ctrl+F:** 進入搜索頁面

* 按下 F10 後，會出現確認視窗提供修改資訊。選擇是或否確認。

BIOS 使用者指南



如果您想了解更多關於安裝 BIOS 的操作說明，請參閱

<http://download.msi.com/manual/mb/Intel700BIOSStc.pdf>

或掃描 QR 碼以取得內容。



重要

功能可能因產品不同而異。

重設 BIOS

某些情況下，您可能需要將 BIOS 復原為出廠預設值，以解決部份特定問題。有多種方法可重設 BIOS：

- 前往 BIOS，然後按 **F6** 載入最佳化預設值。
- 將主機板上的清除 CMOS 功能跳線短路。



重要

在清除 CMOS 數據之前，請確保計算機已關閉。請參閱清除 CMOS 跳線部分以重置 BIOS。

更新 BIOS

以 M-FLASH 更新 BIOS

更新前：

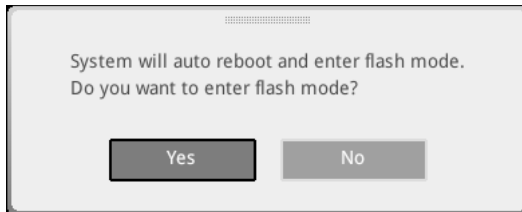
請從 MSI 網站下載符合您主機板型號的最新 BIOS 檔案。然後將 BIOS 檔案存到 USB 隨身碟。

更新 BIOS：

1. 透過多重 BIOS 切換開關以切換到目標 BIOS ROM。如果您的主機板沒有此開關，請跳過此步驟。
2. 將內含更新檔的 USB 隨身碟插入 USB 連接埠。
3. 請依下列方式進入更新模式。
 - 重新開機並在 POST 期間按壓 **Ctrl + F5** 按鍵，並點選 Yes 以重新啟動系統。

Press <Ctrl+F5> to activate M-Flash for BIOS update.

- 重新開機並在 POST 期間按壓 **Del** 按鍵進入 BIOS，點選 **M-FLASH** 按鈕並點選 Yes 以重新啟動系統。



4. 選取一個 BIOS 檔案，以進行 BIOS 更新。
5. 出現提示時，點選 **Yes** 按鈕開始恢復 BIOS。
6. 更新進度 100% 完成後，系統會自動重新啟動。

以 MSI Center 更新 BIOS

更新前：

- 確保已經安裝網路驅動程式，且已正確設定網際網路連線。
- 請在更新 BIOS 之前，關閉其他所有應用程式軟體。

進行更新 BIOS：

1. 安裝並開啟 MSI Center 並進入 **Support** 頁面。
2. 選取 **Live Update** 並按一下 **Advance** 按鈕。
3. 選取 BIOS 檔案並按一下 **Install** 按鈕。
4. 安裝提示出現後，按一下 **Install** 按鈕。
5. 系統將自動重新啟動並更新 BIOS。
6. 更新進度 100% 完成後，系統會自動重新啟動。

以 Flash BIOS 按鈕更新 BIOS

1. 請從 MSI® 網站下載符合您主機板型號的最新 BIOS 檔案。
2. 然後將 BIOS 檔案重新命名為 MSI.ROM。然後將 MSI.ROM 檔案存到 USB 隨身碟的根目錄。
3. 將電源供應器連接至 **CPU_PWR1** 與 **ATX_PWR1**。(不需要安裝 CPU 和記憶體。)
4. 將包含 MSI.ROM 檔案的 USB 隨身碟插入背板 I/O 上的 **Flash BIOS 連接埠**。
5. 按下 **Flash BIOS 按鈕**，以對 BIOS 進行更新，此時按鈕旁的 LED 指示燈會開始閃爍。
6. 更新進度完成後，LED 指示燈會同時關閉。

目录

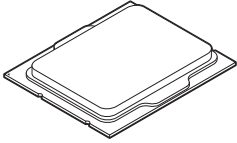
快速入门.....	3
规格.....	15
特殊功能.....	19
包装内容物.....	20
后置面板接口.....	21
LAN 端口 LED 状态表.....	22
音频插孔接口.....	22
安装天线.....	24
组件概述.....	25
CPU 底座.....	26
DIMM 插槽.....	27
PCI_E1~4: PCIe 扩展插槽.....	28
M2_1~4: M.2 接口 (M 键).....	29
SATA1~6: SATA 6Gb/s 接口.....	38
JAUD1: 前置音频接口.....	38
JFP1, JFP2: 前置面板接口.....	39
CPU_PWR1~2, ATX_PWR1: 电源接口.....	40
JCI1: 机箱入侵检测接口.....	41
JUSB5: USB 3.2 Gen 2 Type-C 前置面板接口.....	42
JUSB3~4: USB 3.2 Gen 1 接口.....	42
JUSB1~2: USB 2.0 接口.....	43
JTPM1: TPM 模组接口.....	43
JDASH1 : 调试控制器接口.....	44
JTBT_U4_1: USB4 扩展卡接口.....	44
CPU_FAN1, PUMP_FAN1, SYS_FAN1~6: 风扇接口.....	45
JBAT1: 清除 CMOS (重启 BIOS) 跳线.....	46
BAT1: CMOS 电池.....	47
JRGB1~2: RGB LED 接口.....	48
JARGB_V2_1~2: A-RAINBOW V2 (ARGB Gen2) LED 接口.....	49

简易侦错 LED 灯	50
安装操作系统, 驱动程序和 MSI Center.....	51
使用 MSI Driver Utility Installer 安装驱动程序	52
UEFI BIOS.....	55
BIOS 设置.....	56
重启 BIOS.....	57
更新 BIOS.....	57

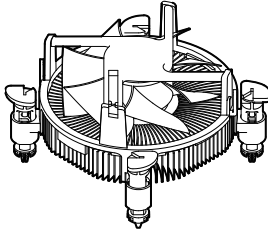
快速入门

感谢您购买了 MSI® 的新主板。本快速入门章节提供有关如何安装计算机的演示图。部分安装另外提供了视频演示。请通过手机或平板电脑上的网络浏览器链接到该网站观看。您也可以通过扫描二维码链接到 URL。

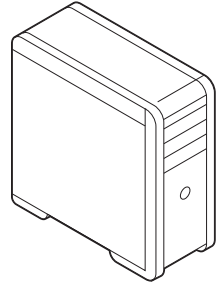
准备工具和组件



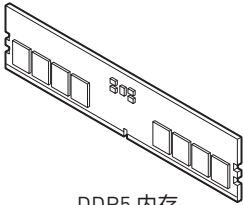
Intel® LGA1700 CPU



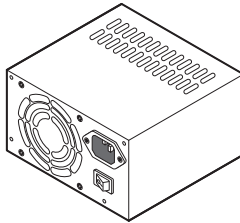
LGA1700 CPU 风扇



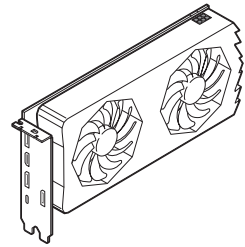
机箱



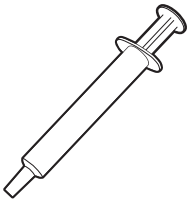
DDR5 内存



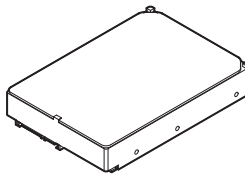
电源供应器



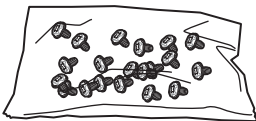
显卡



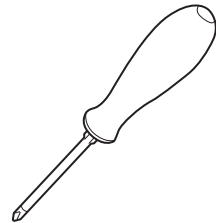
导热膏



SATA 一般硬盘



一包螺丝



十字螺丝刀

安全信息

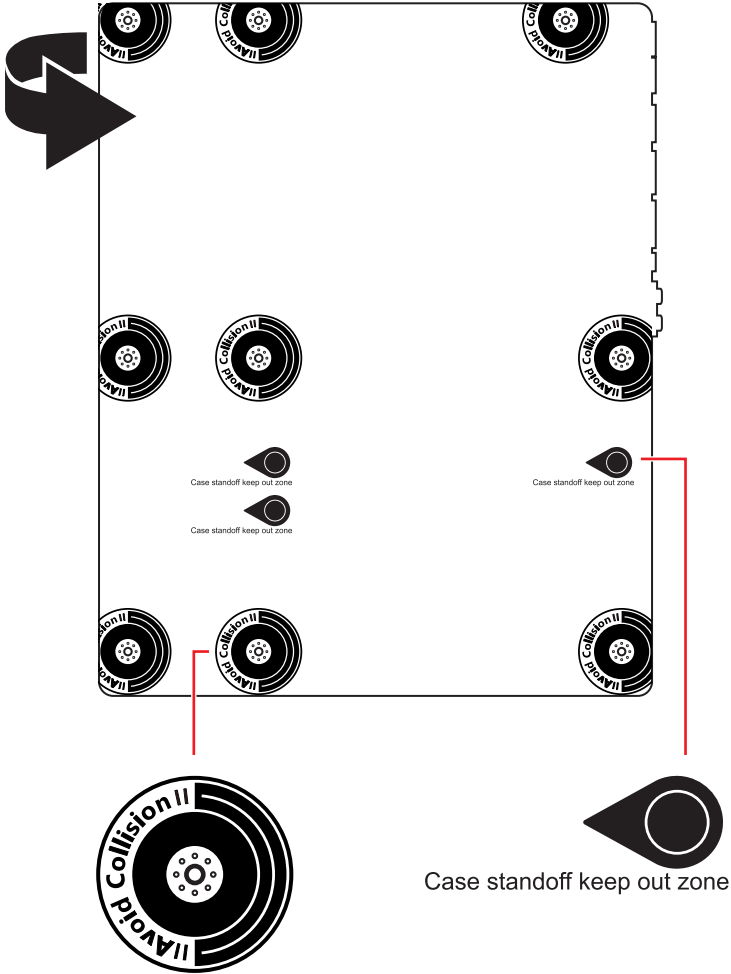
- 此包装中包含的组件有可能到静电放电 (ESD) 损坏。请遵守以下注意事项, 以确保成功组装计算机。
- 确保所有组件连接牢固。若连接不紧可能会导致计算机无法识别组件或无法开启。
- 拿起主板时请手持主板边缘, 避免触及主板的敏感组件。
- 当拿取主板时, 建议佩戴静电放电 (ESD) 腕带, 以防止静电损坏其配置。如果 ESD 腕带无法使用, 请在拿取主板前通过接触其它金属物体释放自身的静电。
- 在不安装主板时, 请将主板放在静电屏蔽容器或防静电垫上。
- 在打开计算机前, 确保计算机机箱内的主板或任何位置上没有松动的螺丝或金属组件。
- 在安装完成之前不要启动计算机。否则可能会导致组件永久性损坏以及伤害使用者。
- 在任何安装步骤中, 如果您需要帮助, 请咨询专业的计算机技术员。
- 安装或拆卸计算机任何组件之前, 请先关闭电源, 并将电源线由插座上拔除。
- 保留本用户指南以供将来参考。
- 本主板须远离湿气。
- 在电源供应器连接到电源插座之前, 请确保您的插座提供了电源供应器上额定相同的指示电压。
- 将电源线摆放在不会被人踩到的地方, 不要在电源线上放置任何物品。
- 须留意在主板上所有的警告标示。
- 发生下列任一状况时, 请将本主板交由维修人员检查:
 - 有液体渗透至计算机内。有液体渗透至计算机内。
 - 主板曝露于水气当中。
 - 主板不工作, 或您依照使用指南后仍无法让本主板工作。
 - 主板曾掉落且损坏。
 - 主板有明显的破损痕迹。
- 切勿将主板放置于摄氏 60 度 (华氏 140 度) 以上的环境中, 以免主板损坏。

机壳螺柱警示夹页

为防止损坏主板,禁止在主板电路和计算机机壳之间安装任何不必要的螺丝柱。警告使用者,主板背面有 Case standoff keep out zone 标示 (机壳螺丝柱禁区标志,如下所示)。

避免碰撞警示夹页

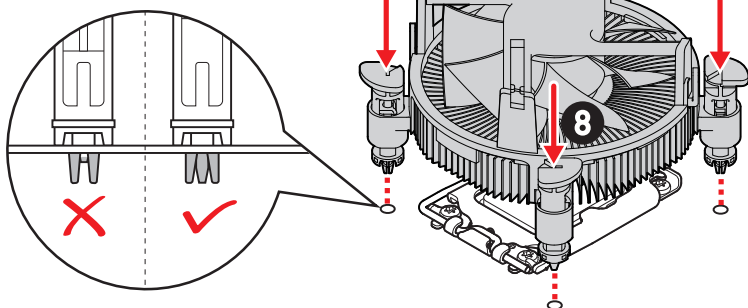
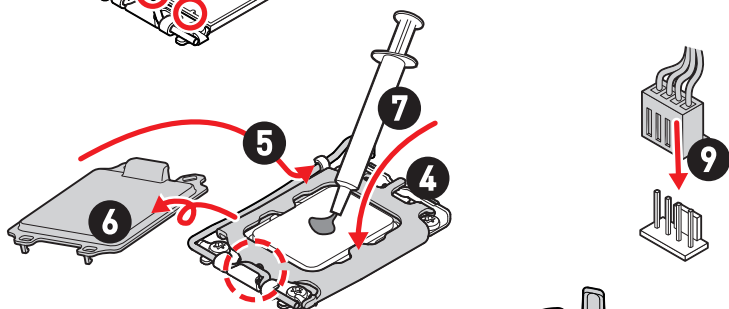
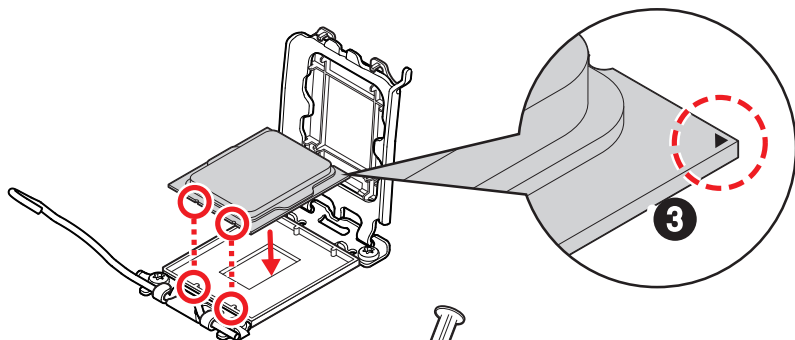
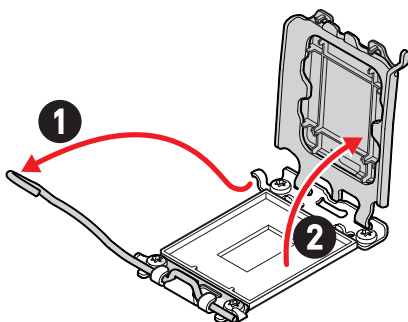
在每个螺丝孔周围都印有保护漆,以防止零件被划伤。



安装处理器



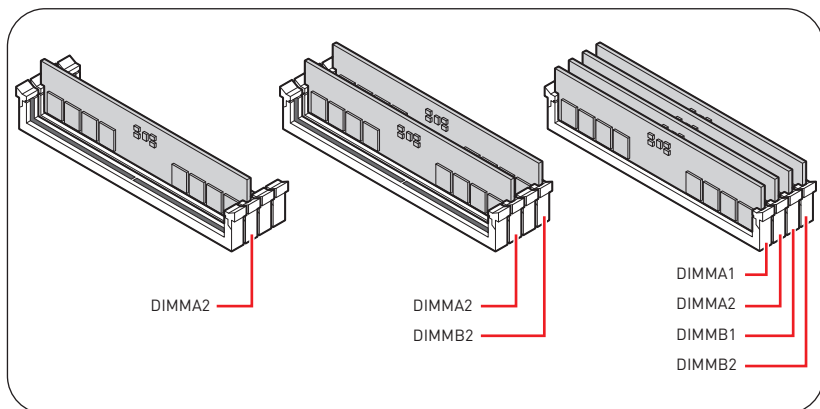
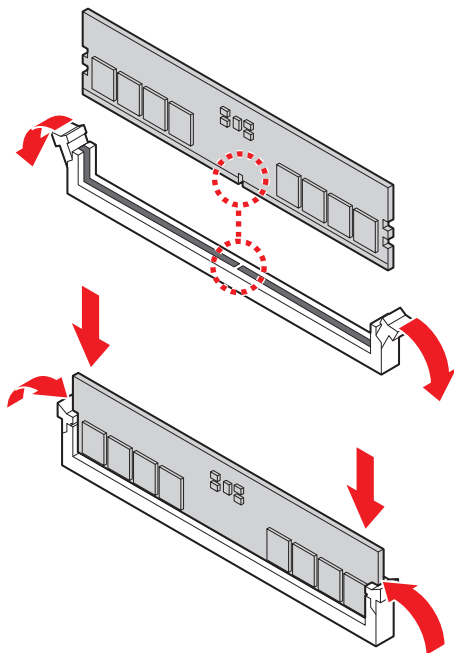
- https://v.youku.com/v_show/id_XNTE5NDQwNDY2NA==.html



安装 DDR5 内存



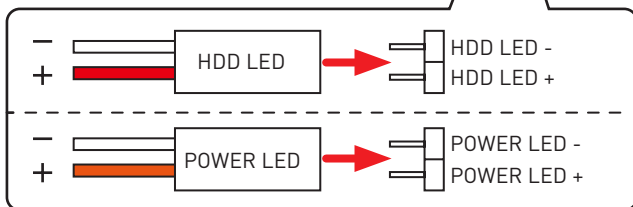
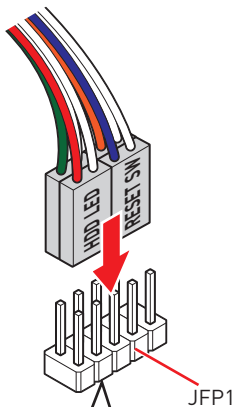
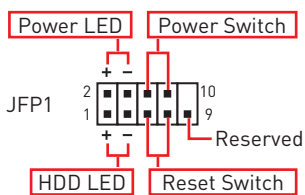
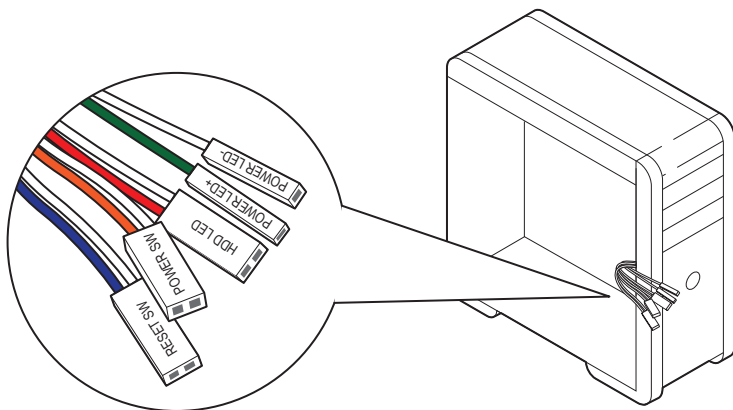
- https://v.youku.com/v_show/id_XNTE5NTg0NDM4NA==.html



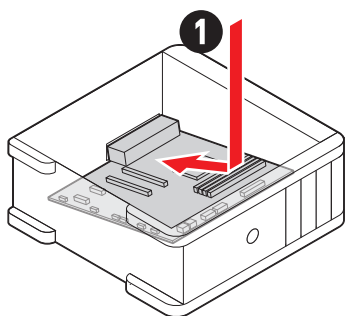
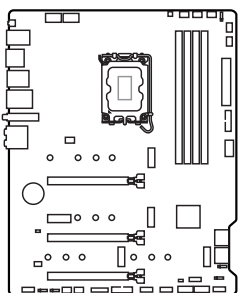
连接前置面板接头



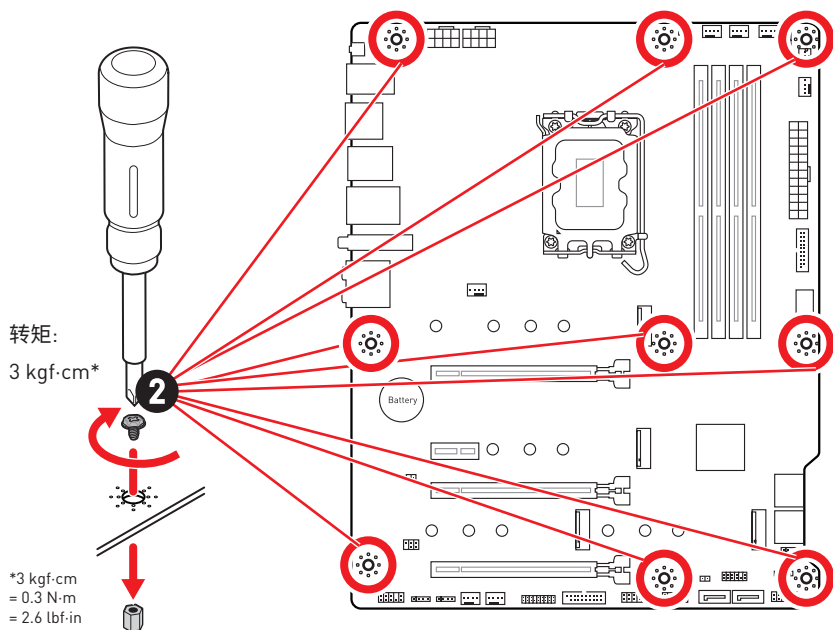
• http://v.youku.com/v_show/id_XNjcyMTczMzM2.html



安装主板



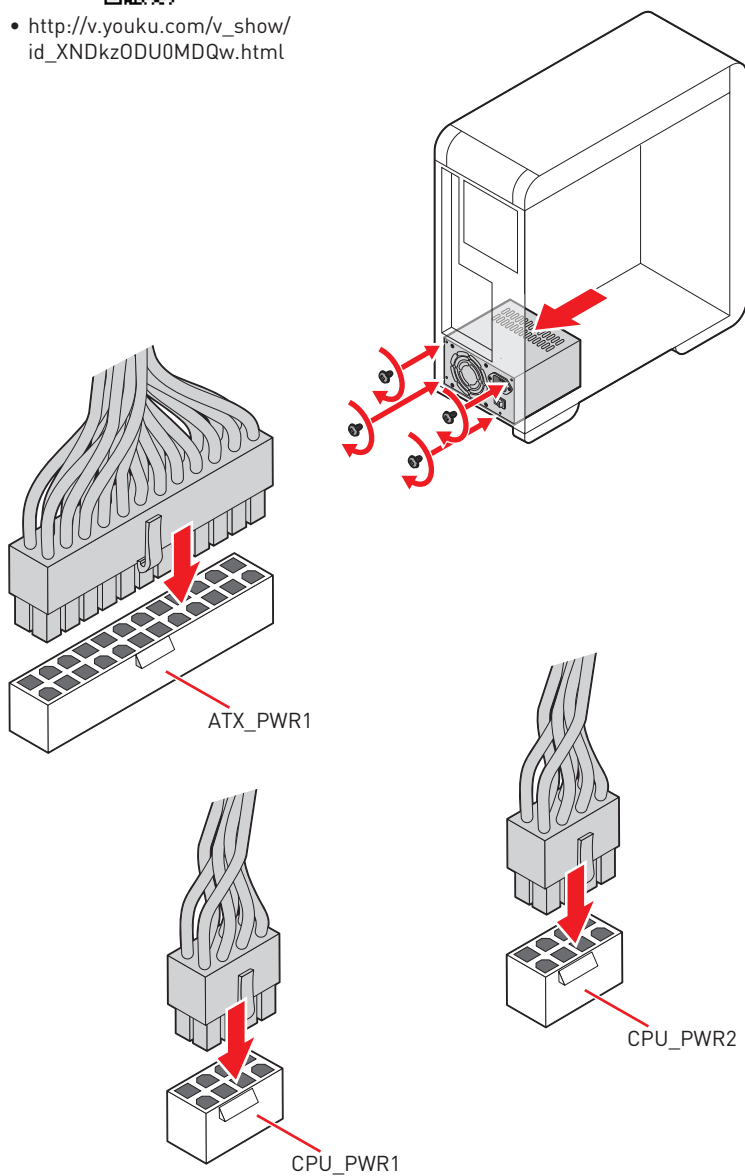
• https://v.youku.com/v_show/id_XNDUwMDUyNTkwOA==.html



连接电源接口



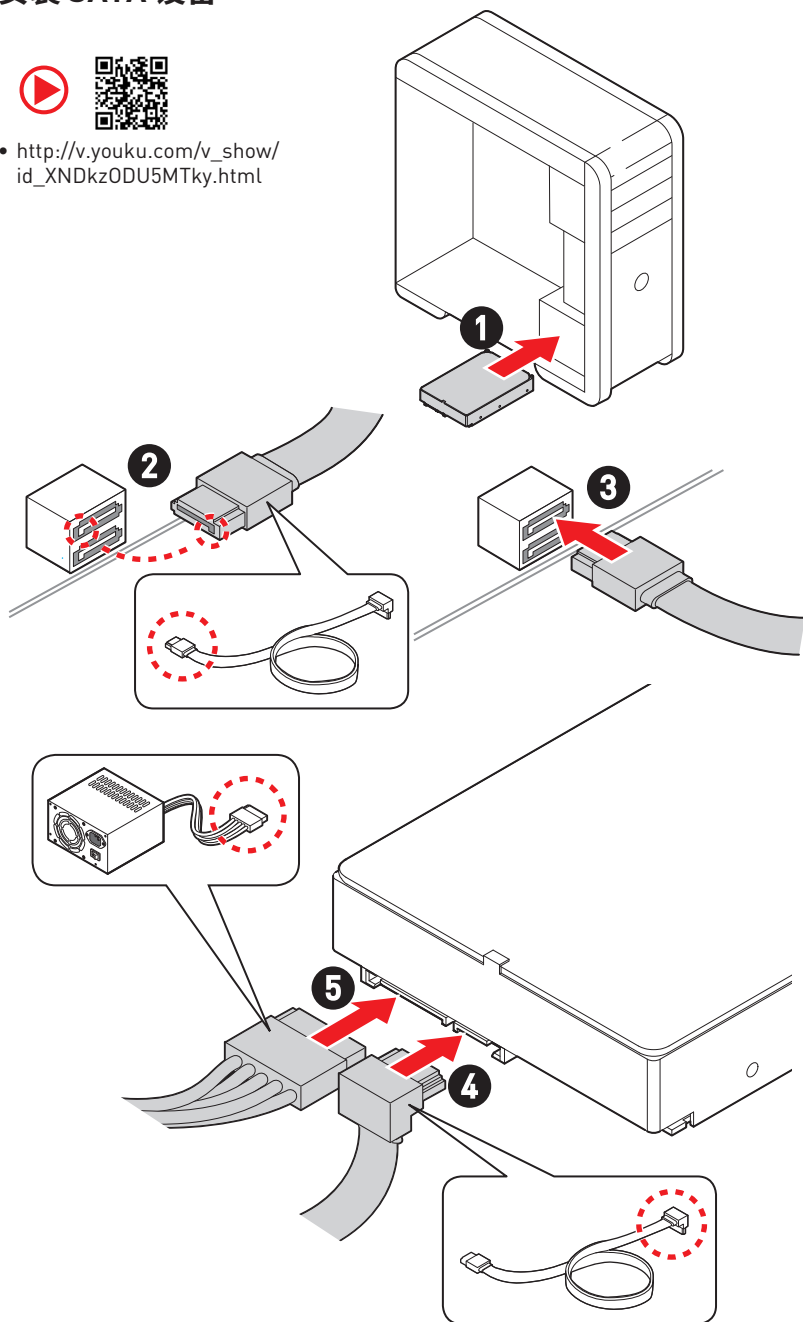
- http://v.youku.com/v_show/id_XNDkzODU0MDQw.html



安装 SATA 设备



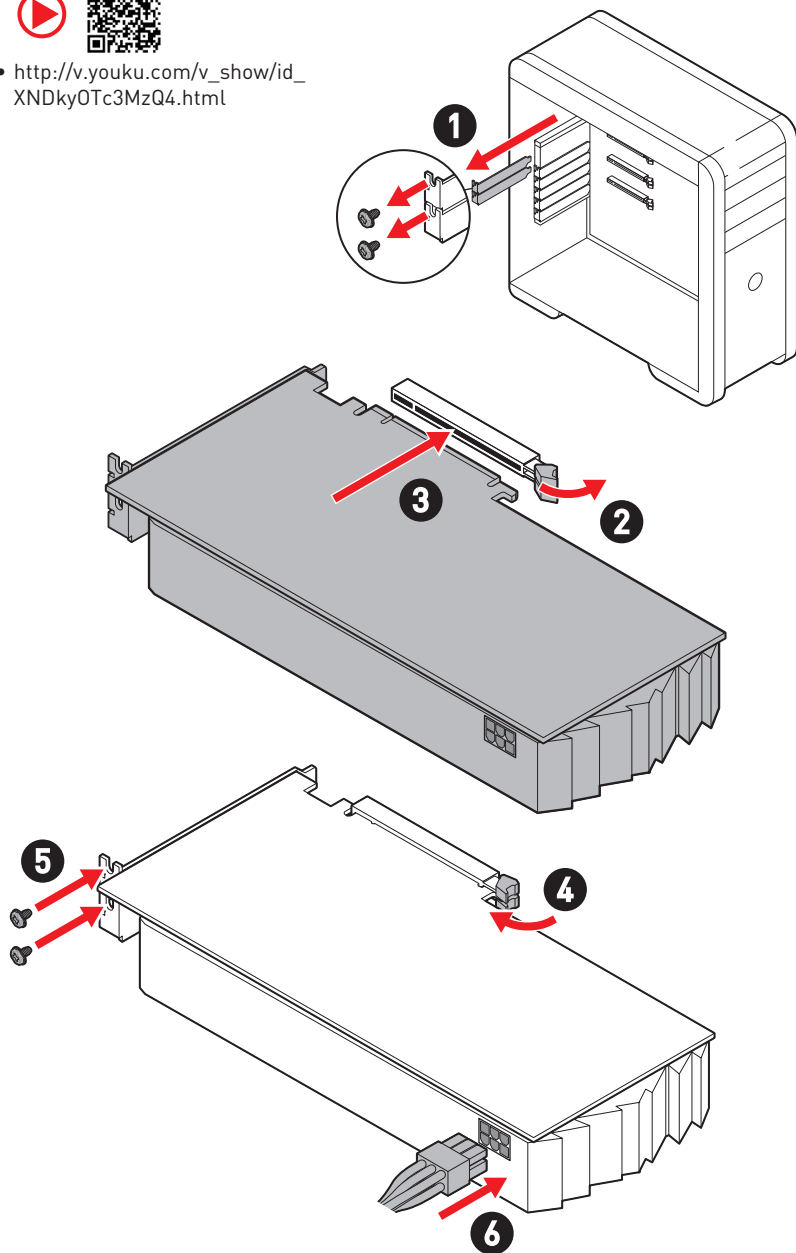
- http://v.youku.com/v_show/id_XNDkz0DU5MTky.html



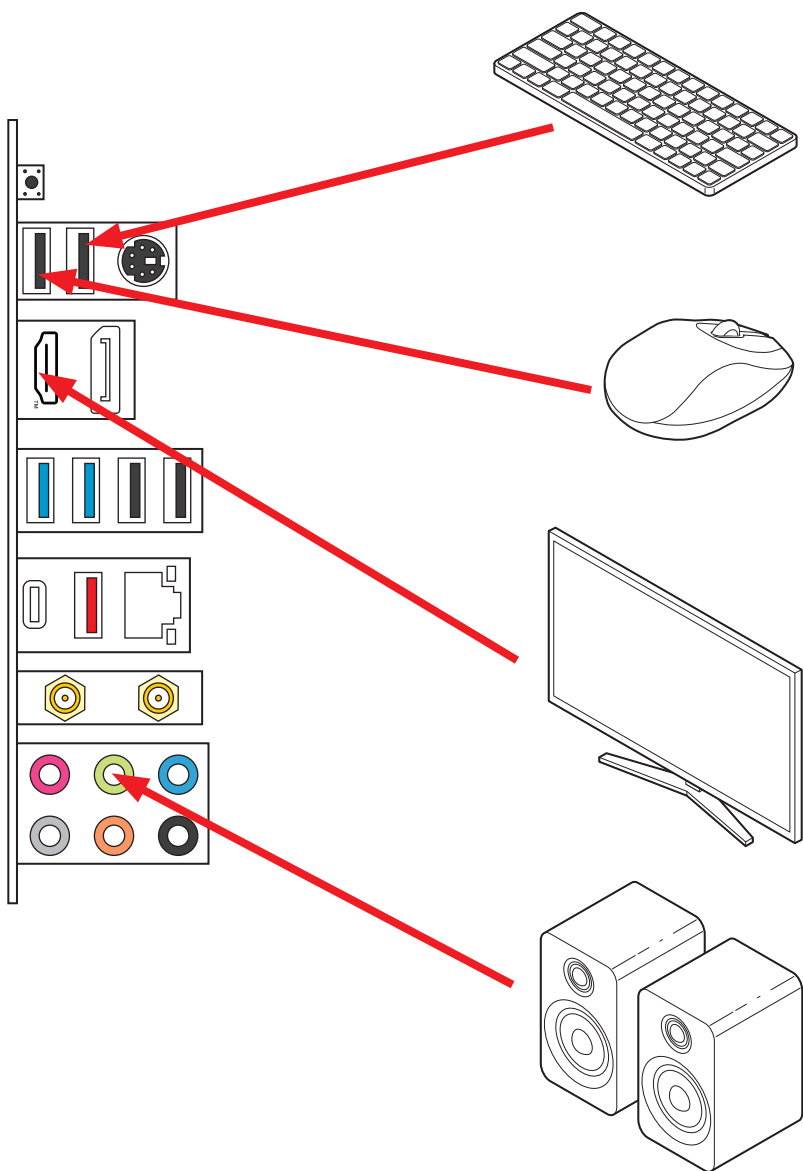
安装显卡



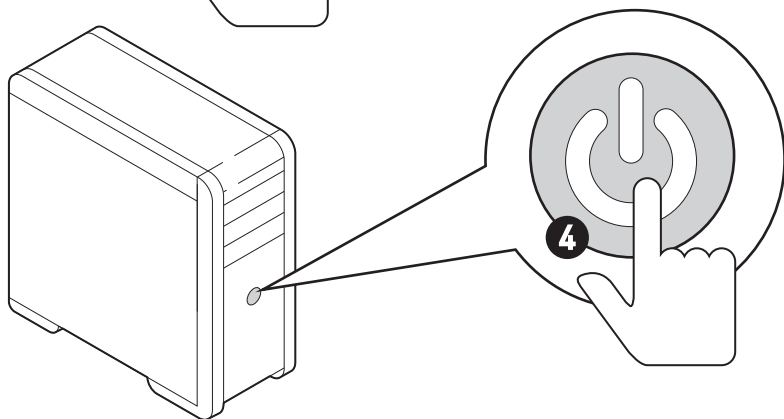
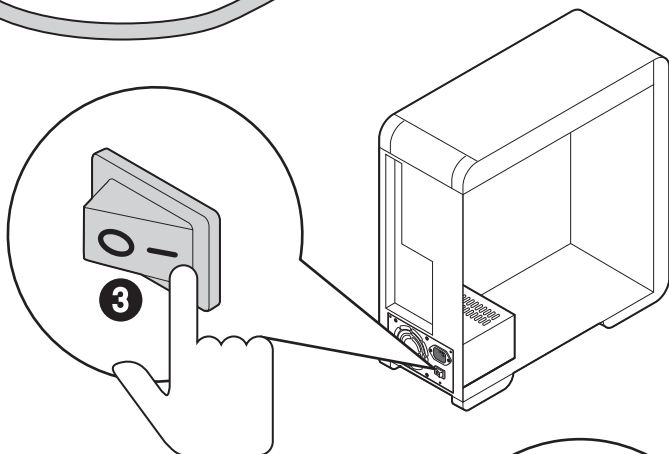
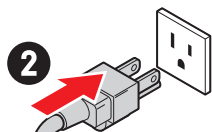
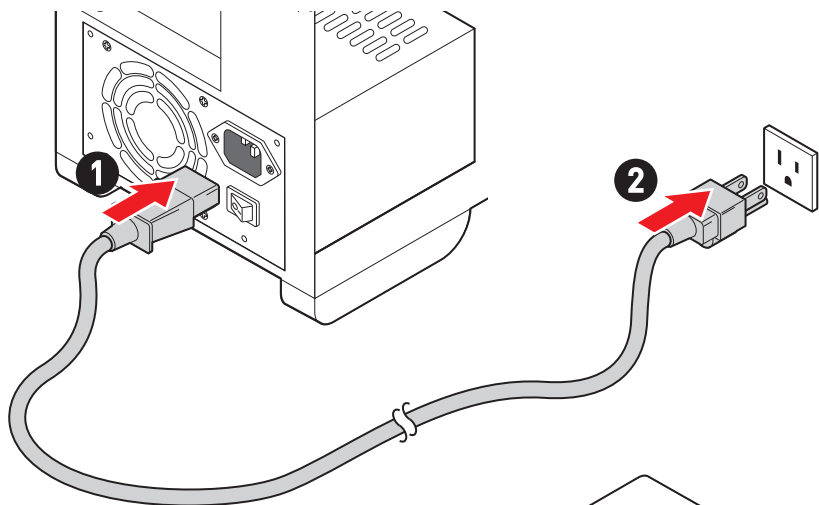
- http://v.youku.com/v_show/id_XNDkyOTc3MzQ4.html



连接外围设备



开机



规格

CPU	<ul style="list-style-type: none">• 支持 Intel® Core™ 第十四代 / 第十三代 / 第十二代处理器, Intel® Pentium® Gold 和 Celeron® 处理器*• LGA1700 针脚处理器 <p>* 随着新处理器的发布, 请访问 www.msi.com 以获取最新的支持状态。</p>
芯片组	Intel® Z790 芯片组
内存	<ul style="list-style-type: none">• 4 个 DDR5 内存插槽, 支持高达 192GB*• 支持 1R 5600 MHz (通过 JEDEC 和 POR)• 支持最高超频频率:<ul style="list-style-type: none">• 1DPC 1R 支持最高 7200+ MHz 内存• 1DPC 2R 支持最高 6600+ MHz 内存• 2DPC 1R 支持最高 6400+ MHz 内存• 2DPC 2R 支持最高 5600+ MHz 内存• 支持 Intel® XMP 3.0 OC• 支持双控制器双通道模式• 支持非-ECC, 非-缓存内存 <p>* 请参考 www.msi.com 网站, 以了解有关于内存兼容的详细信息。</p>
扩展插槽	<ul style="list-style-type: none">• 3 个 PCIe x16 插槽<ul style="list-style-type: none">• PCI_E1 插槽 (来自 CPU)<ul style="list-style-type: none">• 支持最高 PCIe 5.0 x16• PCI_E3 和 PCI_E4 插槽 (来自 Z790 芯片组)<ul style="list-style-type: none">• PCI_E3 支持最高 PCIe 4.0 x4• PCI_E4 支持最高 PCIe 3.0 x1• 1 个 PCIe x1 插槽 (来自 Z790 芯片组)<ul style="list-style-type: none">• PCI_E2 支持最高 PCIe 3.0 x1
板载显卡	<ul style="list-style-type: none">• 1 个 带 HDR 的 HDMI™ 2.1 端口, 支持最大分辨率为 4K 60 Hz* / **• 1 个 带 HBR2 的 DisplayPort 1.4 端口, 支持最大分辨率为 4K 60Hz **/** <p>* 仅在具有集成显卡的处理器上可用。 ** 显卡规格可能因安装的 CPU 有所不同。</p>
SATA 端口	<ul style="list-style-type: none">• 6 个 SATA 6Gb/s 端口 (来自 Z790 芯片组)

接下一栏

续上一列

M.2 固态硬盘接口	<ul style="list-style-type: none">• 4 个 M.2 接口 (M 键)• M2_1 接口 (来自 CPU)<ul style="list-style-type: none">• 支持最高 PCIe 4.0 x4• 支持 2242/ 2260/ 2280/ 22110 存储设备• M2_2 接口 (来自 Z790 芯片组)<ul style="list-style-type: none">• 支持最高 PCIe 4.0 x4• 支持 2242/ 2260/ 2280 存储设备• M2_3 接口 (来自 Z790 芯片组)<ul style="list-style-type: none">• 支持最高 PCIe 4.0 x4• 支持 SATA 6Gb/s• 支持 2242/ 2260/ 2280 存储设备• M2_4 接口 (来自 Z790 芯片组)<ul style="list-style-type: none">• 支持最高 PCIe 4.0 x4• 支持 SATA 6Gb/s• 支持 2242/ 2260/ 2280 存储设备
RAID	<ul style="list-style-type: none">• 支持以 SATA 存储设备创建 RAID 0, RAID 1, RAID 5 和 RAID 10• 支持以 M.2 NVMe 存储设备创建 RAID 0, RAID 1, RAID 5 和 RAID 10
音频	Realtek® ALC897 解码芯片 <ul style="list-style-type: none">• 7.1-声道高清音频
LAN	<ul style="list-style-type: none">• 1 个 Intel® 2.5Gbps 网络控制器
Wi-Fi 无线和蓝牙®	Intel® Wi-Fi 6E <ul style="list-style-type: none">• 无线模块预装在 M2 (E-键) 插槽中• 支持 MU-MIMO TX/RX, 2.4GHz/ 5GHz/ 6GHz* [160MHz] 高达 2.4Gbps• 支持 802.11 a/ b/ g/ n/ ac/ ax• 支持蓝牙® 5.3**, FIPS, FISMA <p>*使用 Wi-Fi 6GHz 频段需搭配 Windows 11 的支持, 并须遵循每个国家 / 地区的法规。</p> <p>** 蓝牙版本可能会更新, 有关详细信息, 请参阅 Wi-Fi 芯片组供应商的网站。</p>

接下一栏

续上一列

电源接口	<ul style="list-style-type: none">• 1 个 24-pin ATX 主电源接口• 2 个 8-pin +12V 电源接口
内部 USB 接口	<ul style="list-style-type: none">• 1 个 USB 3.2 Gen 2 10Gbps Type-C 前置面板接口 (来自 Z790 芯片组)• 2 个 USB 3.2 Gen 1 5Gbps 接口 (来自 Z790 芯片组)<ul style="list-style-type: none">• 额外支持 4 个 USB 3.2 Gen 1 5Gbps 端口• 2 个 USB 2.0 接口 (来自 Hub-GL850G)<ul style="list-style-type: none">• 额外支持 4 个 USB 2.0 端口
风扇接口	<ul style="list-style-type: none">• 1 个 4-pin CPU 风扇接口• 1 个 4-pin 水冷风扇接口• 6 个 4-pin 系统风扇接口
系统接口	<ul style="list-style-type: none">• 1 个 前置面板音频接口• 2 个 系统面板接口• 1 个 机箱入侵检测接口• 1 个 TPM 模组接口• 1 个 调试控制器接口• 1 个 USB4 扩展卡接口 (支持 RTD3)
跳线	<ul style="list-style-type: none">• 1 个 清除 CMOS 跳线
LED 功能	<ul style="list-style-type: none">• 4 个 简易侦错 LED 灯• 2 个 4-pin RGB LED 接口• 2 个 3-pin A-RAINBOW V2 (ARGB Gen2) LED 接口

接下一栏

续上一列

后置面板接口	<ul style="list-style-type: none">• 1 个 更新 BIOS 按钮• 1 个 PS/2 端口• 4 个 USB 2.0 Type-A 端口 (来自 Z790 芯片组)• 1 个 DisplayPort 端口• 1 个 HDMI™ 端口• 1 个 LAN (RJ45) 插孔• 2 个 USB 3.2 Gen 1 5Gbps Type-A 端口 (来自 Z790 芯片组)• 1 个 USB 3.2 Gen 2 10Gbps Type-A 端口 (来自 Z790 芯片组)• 1 个 USB 3.2 Gen 2x2 20Gbps Type-C 端口 (来自 Z790 芯片组)• 2 个 Wi-Fi 天线接口• 6 个 音频插孔
I/O 控制器	NUVOTON NCT6687 控制器芯片
硬件监控	<ul style="list-style-type: none">• CPU/ 系统 / 芯片组温度检测• CPU/ 系统 / 水冷风扇速率检测• CPU/ 系统 / 水冷风扇速率控制
尺寸规格	<ul style="list-style-type: none">• ATX 尺寸规格• 244 毫米 x 305 毫米 (9.6 英寸 x 12 英寸)
BIOS 功能	<ul style="list-style-type: none">• 1 个 256 Mb flash• UEFI AMI BIOS• ACPI 6.4, SMBIOS 3.5• 多国语言
软件	<ul style="list-style-type: none">• 驱动程序• MSI Center• 英特尔极限超频工具• MSI GAMING 版 CPU-Z• Norton 360• AIDA64 Extreme - MSI 版• Adobe Creative Cloud• Acrobat

特殊功能

MSI Center

- 动态RGB LED炫光系统
- 无线灯光同步
- 智能散热
- 用户场景
- True Color
- Live Update
- 硬件监控
- 快速充电
- 设备加速软件
- 智能图像查找器
- MSI Companion
- System Diagnosis

散热功能

- 扩展型散热片设计
- M.2 冰霜铠甲
- K7 MOSFET 导热垫 / 额外电感导热垫片
- 风扇接头 (CPU + PUMP + SYSTEM)

性能

- 核心加速引擎
- VRM 电源设计 (VCPU/ VGT/ AUX)
- 双 CPU 电源
- 内存加速
- Lightning Gen 5 PCI-E
- Lightning Gen 4 PCI-E/ M.2 接口
- 前置 USB Type-C
- 服务器级 PCB
- 2盎司铜强化PCB设计

DIY Friendly

- PCI-E 钢铁装甲
- 简易 M.2 卡扣
- 简易侦错 LED 灯
- 简易 LED 灯控制
- 更新 BIOS 按钮
- 预装 I/O 挡板

音频

- 经典音皇技术

RGB 支持

- 炫光系统扩展技术 (RGB)
- 炫光系统扩展技术 (A-RAINBOW V2)
- 无线灯光同步

BIOS

- 第五代图形化BIOS

包装内容物

请检查您的主板包装内容。它应该包含以下内容：

主板

- 1 个 主板

文档

- 1 个 快速安装指南
- 1 个 欧洲法规声明

应用程序

- 1 个 DVD 驱动盘

电缆

- 2 个 SATA 6Gb/s 电缆

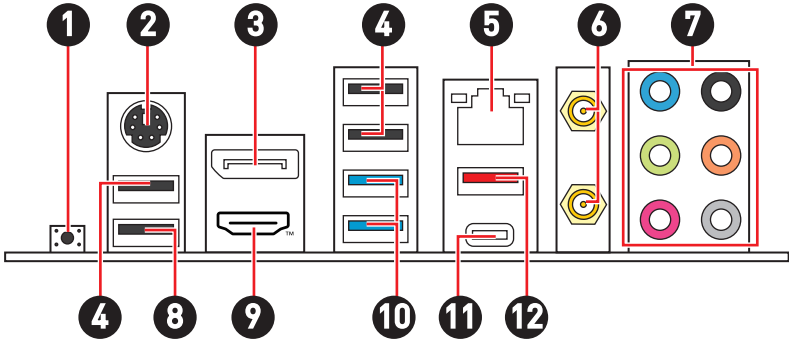
配件


- 1 个 Wi-Fi 天线套组
- 2 个 简易 M.2 卡扣套组 (1 套 / 包)
- 1 包 M.2 螺丝和螺柱包装 (1 套 / 包)



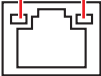
如上述物品有任何损坏或遗失，请联系您的零售商。

后置面板接口



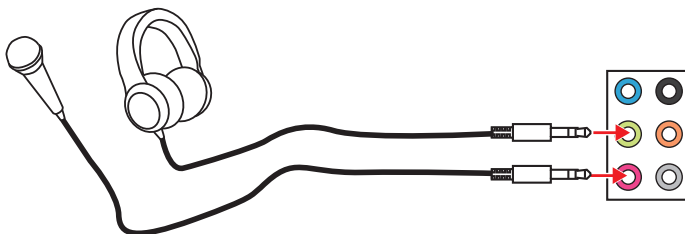
项目	描述
1	更新 BIOS 按钮
2	PS/2 端口
3	DisplayPort 端口
4	USB 2.0 Type-A 端口 (来自 Z790 芯片组)
5	2.5 Gbps LAN (RJ45) 插孔
6	Wi-Fi 天线接口
7	音频插孔
8	USB 2.0 Type-A 端口 (来自 Z790 芯片组) • 更新 BIOS 端口
9	HDMI™ 端口 
10	USB 3.2 Gen 1 5Gbps Type-A 端口 (来自 Z790 芯片组)
11	USB 3.2 Gen 2x2 20Gbps Type-C 端口 (来自 Z790 芯片组)
12	USB 3.2 Gen 2 10Gbps Type-A 端口 (来自 Z790 芯片组)

LAN 端口 LED 状态表

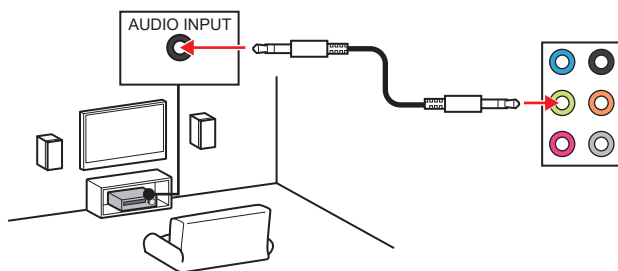
连线 / 工作灯号			速度灯号	
状态	描述		状态	速度
关	网络未连接	关	传输速率 10 Mbps	
黄色	网络已连接	绿色	传输速率 100/ 1000 Mbps	
闪烁	网络数据在使用中	橙色	传输速率 2.5 Gbps	

音频插孔接口

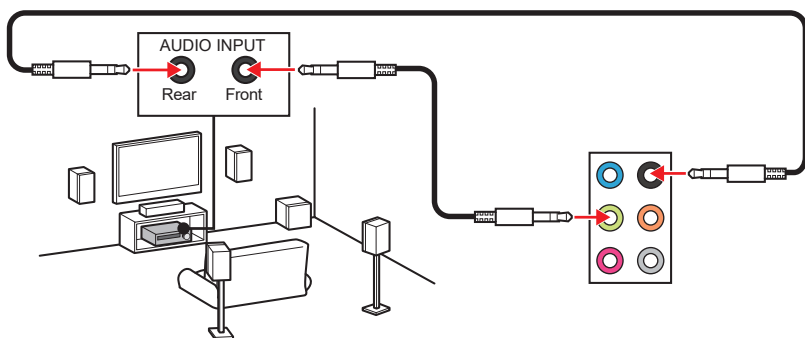
耳机和麦克风至音频插孔示意图



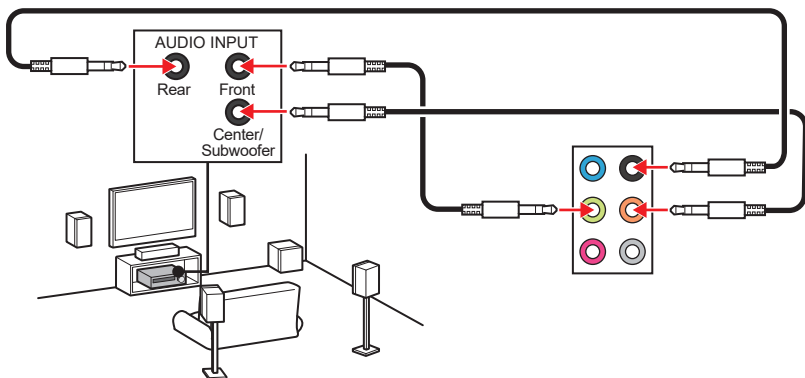
立体声喇叭至音频插孔示意图



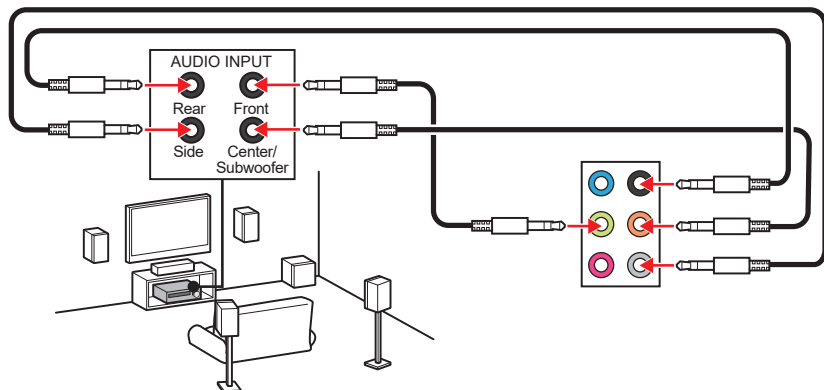
4-声道喇叭至音频插孔示意图



5.1-声道喇叭至音频插孔示意图

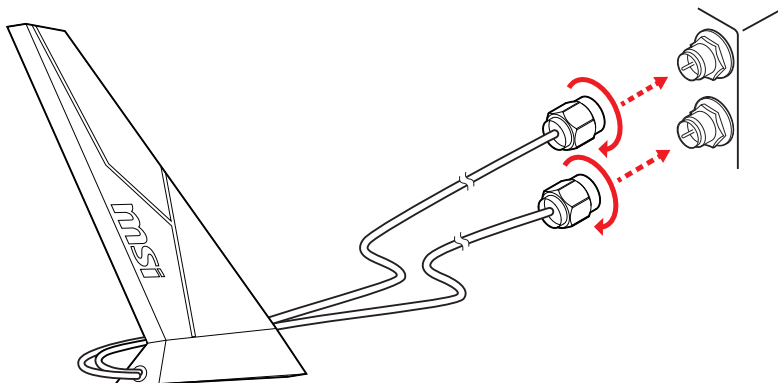


7.1-声道喇叭至音频插孔示意图

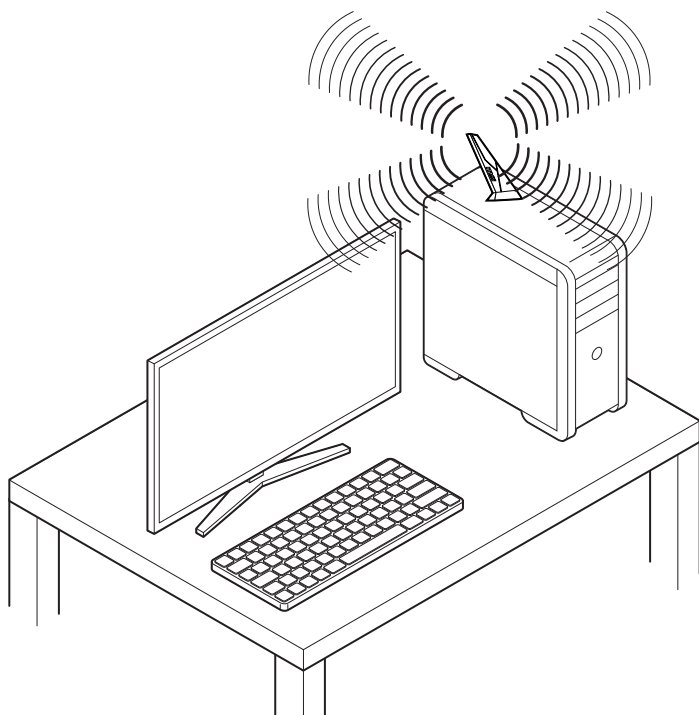


安装天线

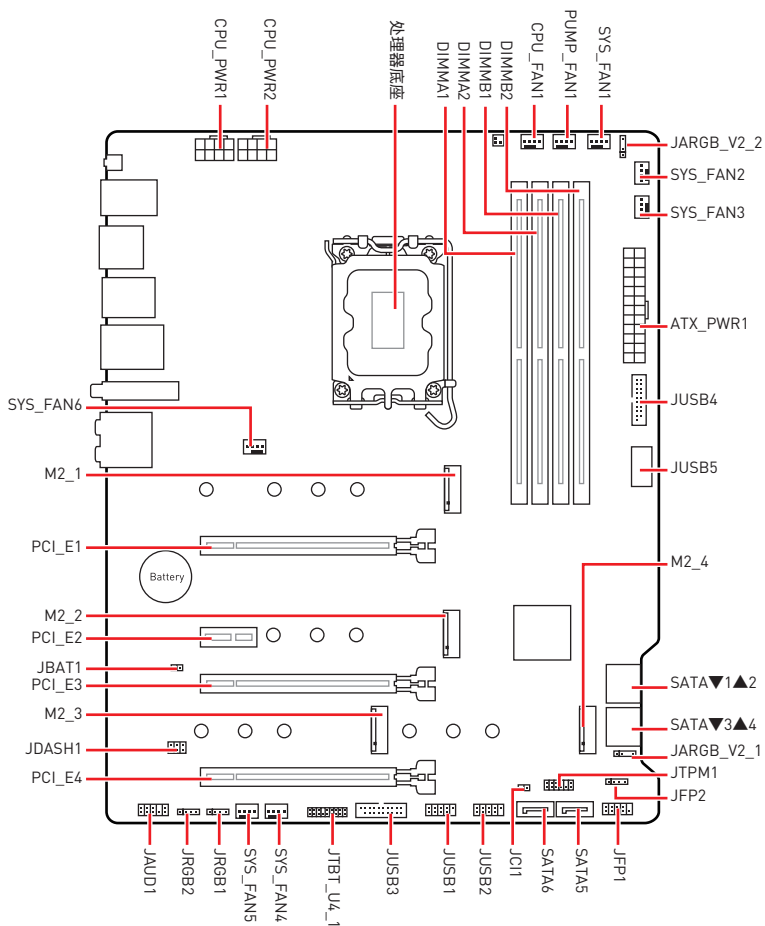
1. 将两根天线电缆拧紧至 Wi-Fi 天线接口, 如图所示。



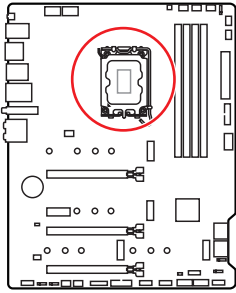
2. 请将天线尽量放置更高。



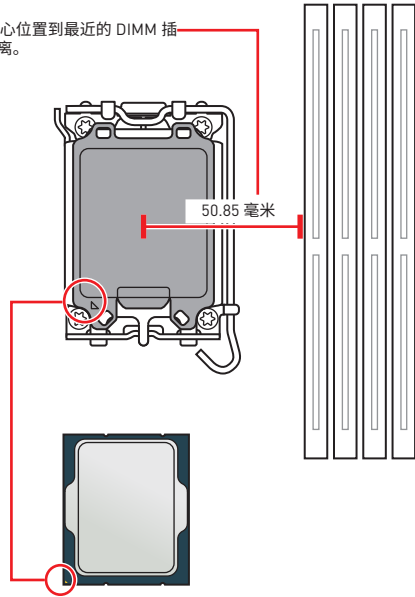
组件概述



CPU 底座



CPU 中心位置到最近的 DIMM 插槽的距离。



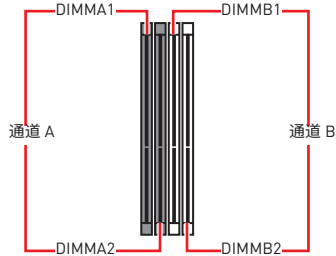
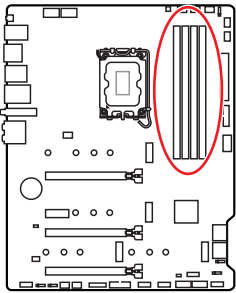
LGA1700 CPU 简介

为了正确的将 CPU 放置在主板中, LGA1700 CPU 的表面有四个对齐点和一个金色三角指示。金色三角指示为 Pin 1。

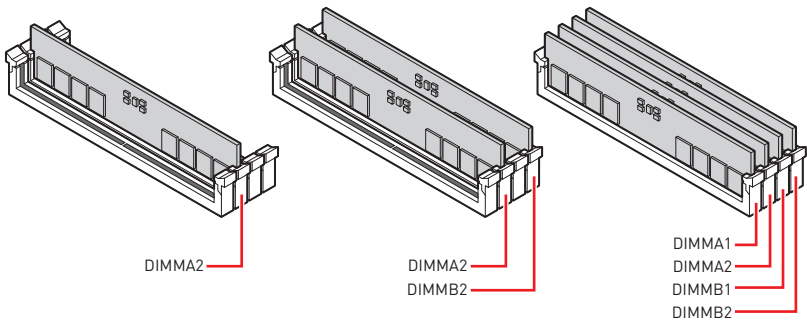
注意

- 安装或移除 CPU 之前, 请先关闭电源, 并将电源线由插座上拔除。
- 安装完处理器后请保留 CPU 保护盖。微星将要求授权的 (RMA) 在处理退货验证需要主板上附带 CPU 底座上的保护盖。
- 当您安装 CPU 时, 请确认已安装好 CPU 风扇。对防止过热和维持系统的稳定性 CPU 风扇是非常必要的。
- 确认在系统启动前 CPU 风扇已经牢固的粘贴在 CPU 上。
- 温度过高会严重损害 CPU 和系统, 请务必确认所使用的降温风扇始终能够正常工作, 保护 CPU 以免过热烧毁。确认, 您已在 CPU 和散热片之间抹了一层平滑的散热硅胶 (或热胶带) 以增加散热。
- 只要 CPU 尚未安装, 请把塑料保护盖覆盖在 CPU 底座上, 以避免底座受损。
- 如果您购买了一个独立 CPU 的散热片 / 冷却器, 详细安装请参考散热片 / 冷却器包装内的说明书。
- 主板设计支持超频。然而, 请确认您的配置能够接受这样非常规的设定。在超频时, 不推荐任何超技术规范之外的动作。MSI® 不承担损坏或因为在产品规格之外不规范的操作导致的风险。

DIMM 插槽



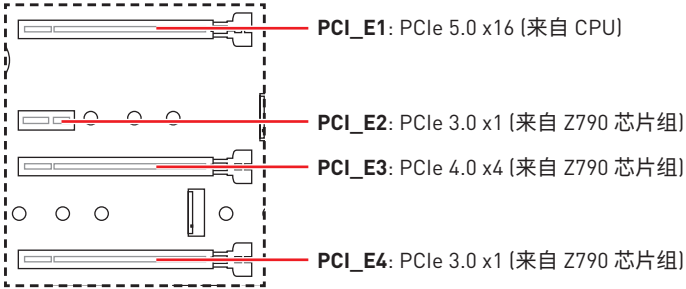
内存模块安装建议



⚠ 注意

- 安装内存条模块时务必先由 **DIMMA2** 插槽开始安装。
- 为确保双通道模式下的系统稳定性, 内存模组必须是相同的类型, 数量和密度。
- 当超频运行某些内存模块时频率可能会低于标明值, 皆因内存频率运行取决于其串行设备检测 (SPD)。如果您需要设置内存频率在标明或在更高频率下来运行内存, 转到 BIOS 并找到 **DRAM Frequency**。
- 建议使用一种更有效的内存的冷却系统, 用于完整 DIMM 的安装或超频。
- 当超频时, 内存模块安装的稳定性和兼容性取决于已安装的 CPU 和设备。
- 请参考 www.msi.com 网站, 以了解有关于内存兼容的详细信息。

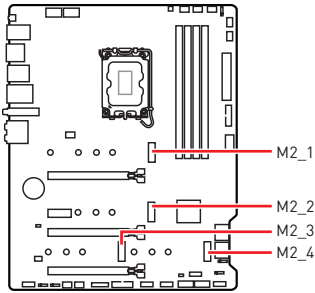
PCI_E1~4: PCIe 扩展插槽



注意

- 如果您安装了一个大而重的显卡时, 您需要使用一个辅助工具如 **MSI 显卡支架千斤顶** 来支撑其重量, 以防止插槽变形。
- 为了使安装单个 PCIe x16 扩展卡获得最佳性能。建议使用 **PCI_E1** 插槽。
- 当添加或移除扩展卡时, 请先关闭电源, 并将电源线由插座上拔除。请查看关于扩展卡的文档以便检查必要附件的硬件和软件变化。

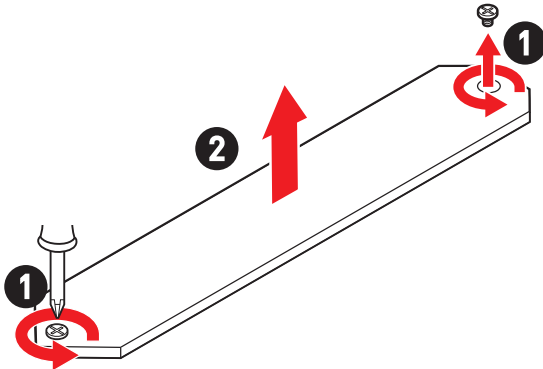
M2_1~4: M.2 接口 (M 键)



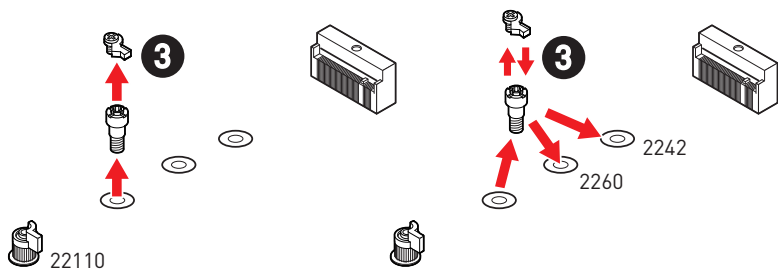
- Intel® RST 仅支持具有 UEFI ROM 的 PCIe M.2 固态硬盘。
- 如果您的 M.2 固态硬盘自带散热片, 请在安装 M.2 固态硬盘之前移除 M.2 接口中的 M.2 橡胶块。请勿重新安装主板随附的散热片。

将 M.2 模块安装到 M2_1 接口中

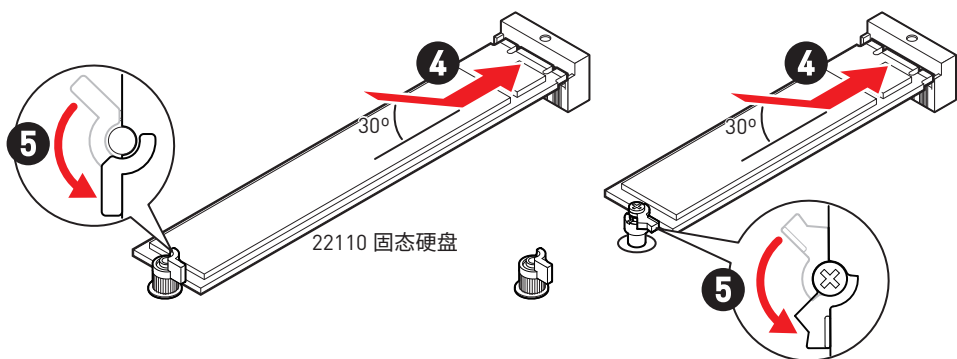
1. 将 M.2 冰霜铠甲散热片上的螺丝移除。
2. 向上提起 M.2 冰霜铠甲散热片并将其移除。



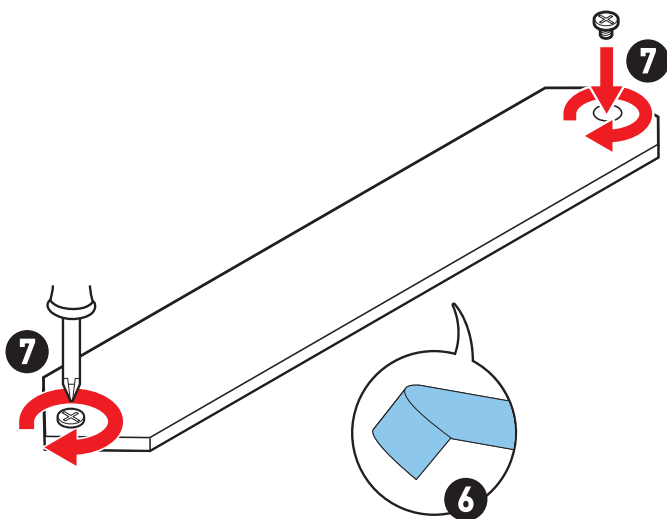
3. 根据您的固态硬盘的长度移除或更换螺丝。如果安装的是 2280 固态硬盘, 请跳过此步骤。



4. 将 M.2 固态硬盘以 30 度角插入 M.2 接口。
5. 旋转简易 M.2 卡扣以固定 M.2 固态硬盘。

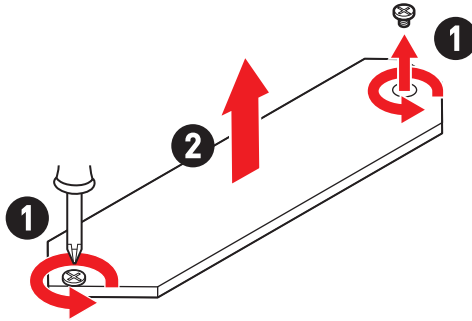


6. 从 M.2 冰霜铠甲散热片下方的导热垫上取下保护膜。
7. 将 M.2 冰霜铠甲散热片放回原位并固定。

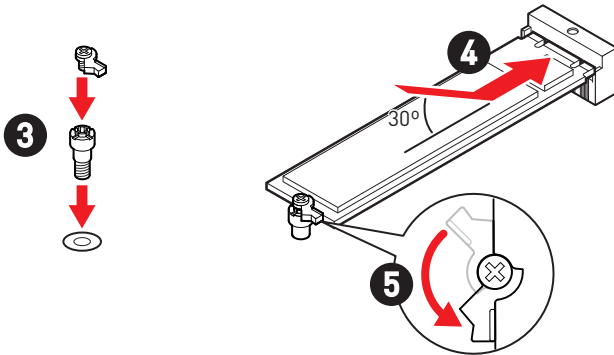


将 M.2 模块安装到 M2_2 接口中

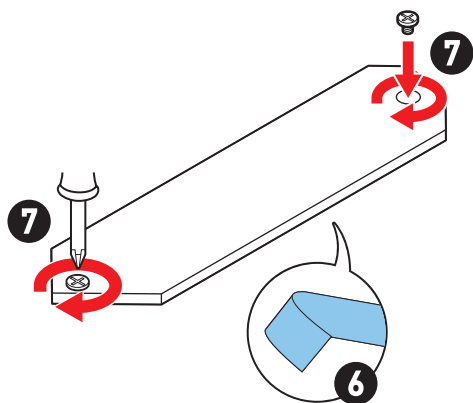
1. 将 M.2 冰霜铠甲散热片上的螺丝移除。
2. 向上提起 M.2 冰霜铠甲散热片并将其移除。



3. 请根据您的固态硬盘长度安装随附的简易 M.2 卡扣套件。如果安装的是 2280 固态硬盘，请跳过此步骤。
4. 将 M.2 固态硬盘以 30 度角插入 M.2 接口。
5. 旋转简易 M.2 卡扣以固定 M.2 固态硬盘。如果安装的是 2280 固态硬盘，请跳过此步骤。

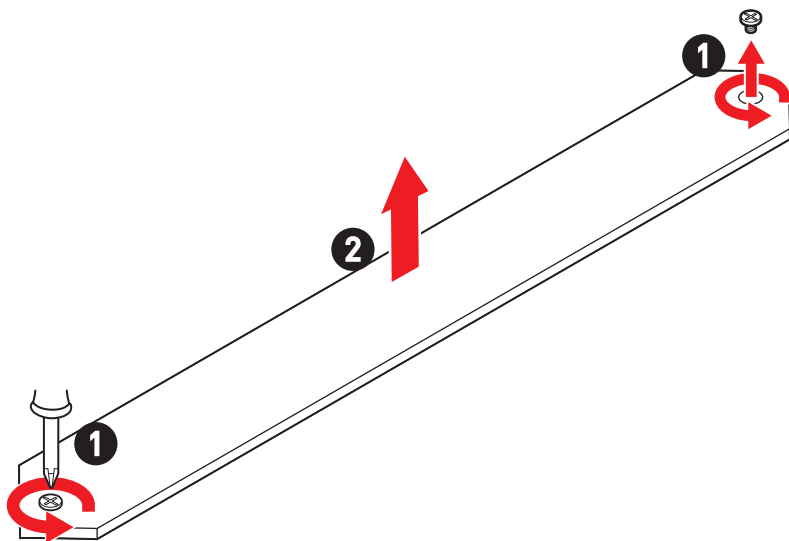


6. 从 M.2 冰霜铠甲散热片下方的导热垫上取下保护膜。
7. 将 M.2 冰霜铠甲散热片放回原位并固定。

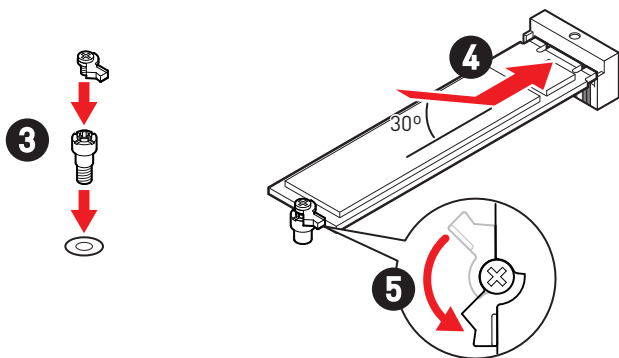


将 M.2 模块安装到 M2_3 接口中

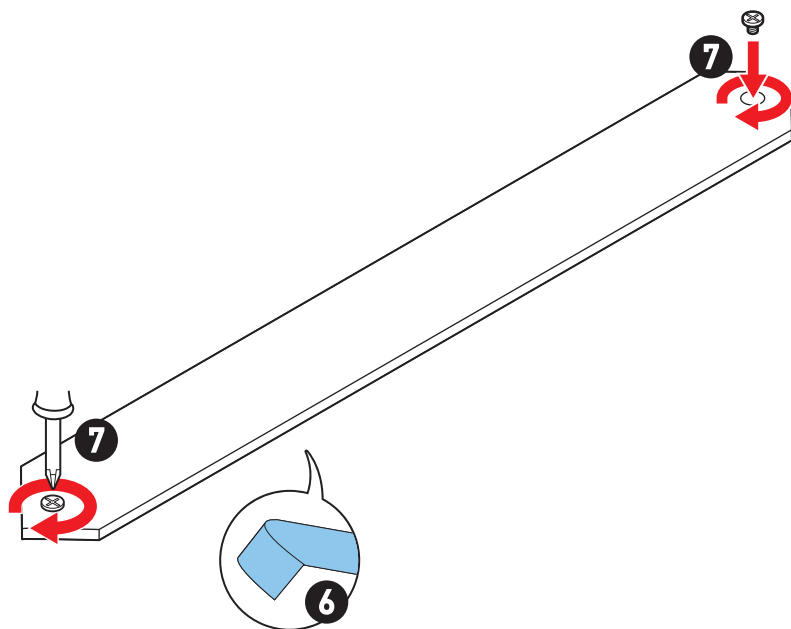
1. 将 M.2 冰霜铠甲散热片上的螺丝移除。
2. 向上提起 M.2 冰霜铠甲散热片并将其移除。



3. 请根据您的固态硬盘长度安装随附的简易 M.2 卡扣套件。如果安装的是 2280 固态硬盘, 请跳过此步骤。
4. 将 M.2 固态硬盘以 30 度角插入 M.2 接口。
5. 旋转简易 M.2 卡扣以固定 M.2 固态硬盘。

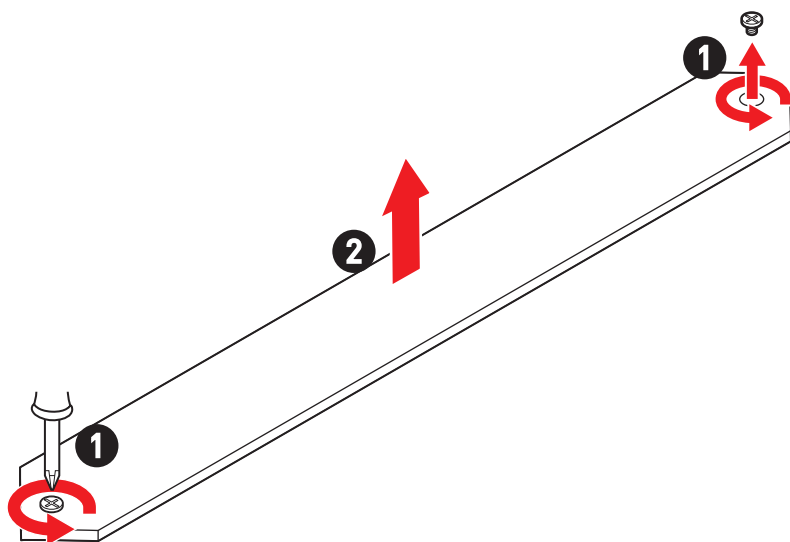


6. 从 M.2 冰霜铠甲散热片下方的导热垫上取下保护膜。
7. 将 M.2 冰霜铠甲散热片放回原位并固定。

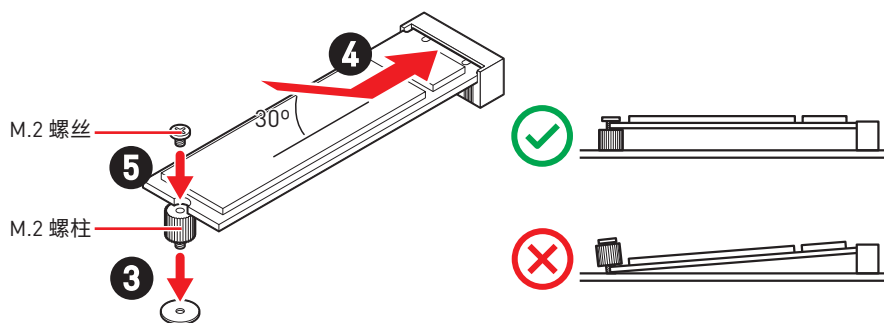


将 M.2 模块安装到 M2_4 接口中

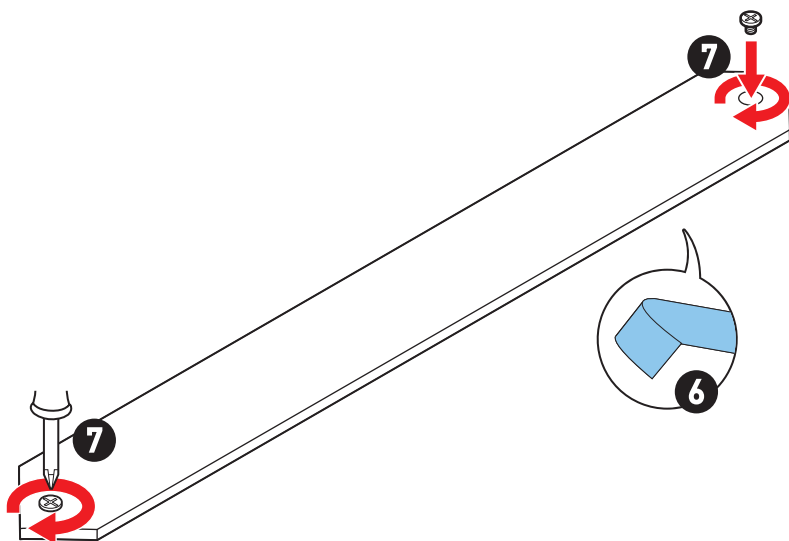
1. 将 M.2 冰霜铠甲散热片上的螺丝移除。
2. 向上提起 M.2 冰霜铠甲散热片并将其移除。



3. 请根据您的固态硬盘长度安装随附的 M.2 螺柱。
4. 将 M.2 固态硬盘以 30 度角插入 M.2 接口。
5. 用产品包装内随货附上的 M.2 螺丝将 M.2 固态硬盘固定到位。

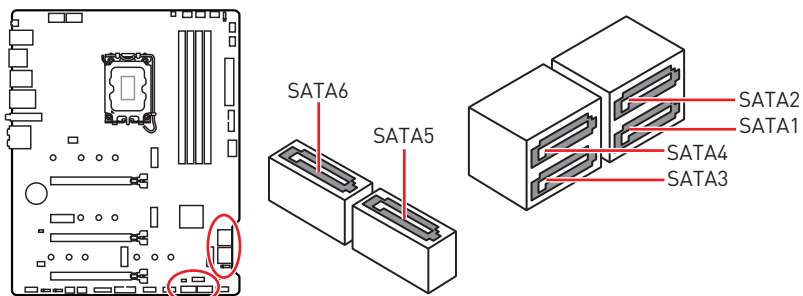


6. 从 M.2 冰霜铠甲散热片下方的导热垫上取下保护膜。
7. 将 M.2 冰霜铠甲散热片放回原位并固定。



SATA1~6: SATA 6Gb/s 接口

这些接口是串行 SATA 6Gb/s 介面接口。每个接口可以连接一个串行 SATA 设备。

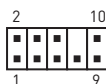
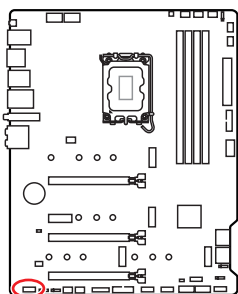


⚠ 注意

- 请勿将串行 SATA 数据线对折成 90 度。否则，传输过程中可能会出现数据丢失。
- SATA 数据线的两端有相同的插口，然而，为了节省空间建议连接扁平接口端在主板上。

JAUD1: 前置音频接口

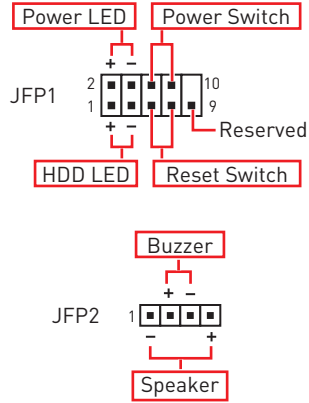
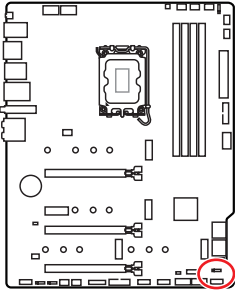
此接口允许您连接前置面板上音频插孔。



针脚	信号名称	针脚	信号名称
1	MIC L	2	Ground
3	MIC R	4	NC
5	Head Phone R	6	MIC Detection
7	SENSE_SEND	8	No Pin
9	Head Phone L	10	Head Phone Detection

JFP1, JFP2: 前置面板接口

JFP1 接口控制 PC 机箱 / 机箱上的电源开启、电源重启和 LED。电源开关 / 重启开关接头允许您连接电源按钮 / 重启按钮。电源 LED 接头连接到 PC 机箱上的 LED 灯, HDD LED 接头指示硬盘的活动。JFP2 接口用于蜂鸣器和扬声器。要将电缆从 PC 机箱连接到正确的引脚, 请参考以下图示。

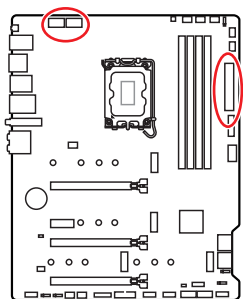


注意

请注意, Power LED 和 HDD LED 有正负极连接, 您需要将电缆连接到主板上对应的正负极端口。否则, LED 将无法正常工作。

CPU_PWR1~2, ATX_PWR1: 电源接口

这些接口允许您连接一个 ATX 电源供应器。

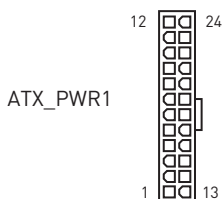
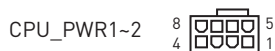


CPU_PWR1~2

针脚	信号名称	针脚	信号名称
1	Ground	2	Ground
3	Ground	4	Ground
5	+12V	6	+12V
7	+12V	8	+12V

ATX_PWR1

针脚	信号名称	针脚	信号名称
1	+3.3V	2	+3.3V
3	Ground	4	+5V
5	Ground	6	+5V
7	Ground	8	PWR OK
9	5VSB	10	+12V
11	+12V	12	+3.3V
13	+3.3V	14	-12V
15	Ground	16	PS-ON#
17	Ground	18	Ground
19	Ground	20	Res
21	+5V	22	+5V
23	+5V	24	Ground

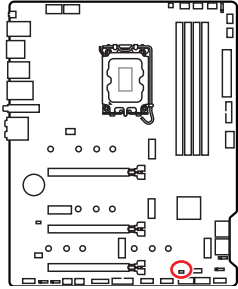


注意

确认所有接口都已正确的连接到 ATX 电源供应器上, 以确保主板稳定的运行。

JCI1: 机箱入侵检测接口

此接口可用于连接机箱入侵检测开关线。



正常 (默认)



启用机箱入侵检测

使用机箱入侵检测器

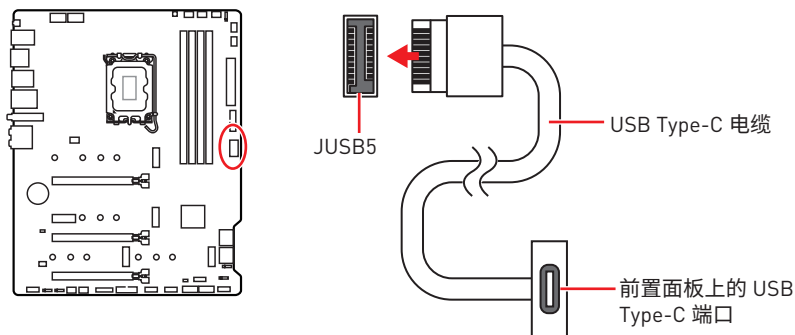
1. JCI1 接口连接机箱上的机箱入侵检测开关和传感器。
2. 关闭机箱盖。
3. 转到 BIOS > SETTINGS > Security > Chassis Intrusion Configuration。
4. 设置 Chassis Intrusion 为 Enabled。
5. 按 F10 保存并退出, 然后按 Enter 键选择 Yes。
6. 当计算机开启时, 一旦打开机箱盖, 将会在屏幕上显示一个警告信息。

重设机箱入侵检测警告

1. 转到 BIOS > SETTINGS > Security > Chassis Intrusion Configuration。
2. 设置 Chassis Intrusion 为 Reset。
3. 按 F10 保存并退出, 然后按 Enter 键选择 Yes。

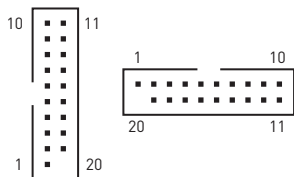
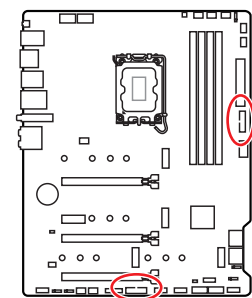
JUSB5: USB 3.2 Gen 2 Type-C 前置面板接口

此接口允许您在前置面板上来连接 USB 3.2 Gen 2 10Gbps Type-C 接口。该接口具有防呆设计。当您连接电缆时，请务必将其与相应的方向连接。



JUSB3~4: USB 3.2 Gen 1 接口

这些接口允许您在前置面板上来连接 USB 3.2 Gen 1 5Gbps 端口。



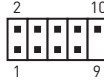
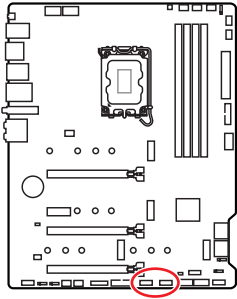
针脚	信号名称	针脚	信号名称
1	Power	2	USB3_RX_DN
3	USB3_RX_DP	4	Ground
5	USB3_TX_C_DN	6	USB3_TX_C_DP
7	Ground	8	USB2.0-
9	USB2.0+	10	Ground
11	USB2.0+	12	USB2.0-
13	Ground	14	USB3_TX_C_DP
15	USB3_TX_C_DN	16	Ground
17	USB3_RX_DP	18	USB3_RX_DN
19	Power	20	No Pin



注意
请注意，电源和接地针脚必须正确连接以避免可能的损坏。

JUSB1~2: USB 2.0 接口

这些接口允许您在前置面板上来连接 USB 2.0 端口。



针脚	信号名称	针脚	信号名称
1	VCC	2	VCC
3	USB0-	4	USB1-
5	USB0+	6	USB1+
7	Ground	8	Ground
9	No Pin	10	NC

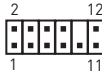
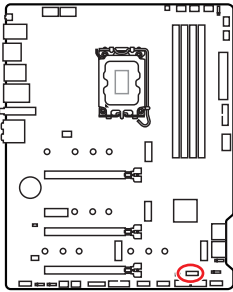


注意

- 请注意, VCC 和接地针脚必须正确连接以避免可能的损坏。
- 为了将您的 iPad, iPhone 和 iPod 通过 USB 端口进行充电, 请安装 MSI Center 实用程序。

JTPM1: TPM 模组接口

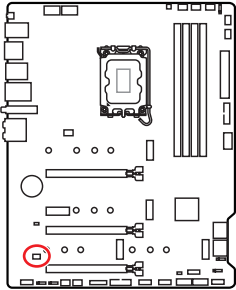
此接口是用来连接 TPM (安全平台模组)。请参考 TPM 安全平台手册以获得更多细节和用法。



针脚	信号名称	针脚	信号名称
1	SPI Power	2	SPI Chip Select
3	Master In Slave Out (SPI Data)	4	Master Out Slave In (SPI Data)
5	Reserved	6	SPI Clock
7	Ground	8	SPI Reset
9	Reserved	10	No Pin
11	Reserved	12	Interrupt Request

JDASH1 : 调试控制器接口

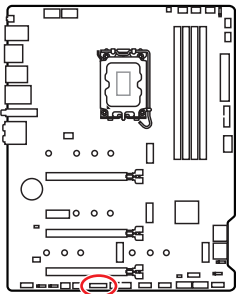
此接口用于连接可选的调试控制器模块。



引脚	信号名称	引脚	信号名称
1	No Pin	2	NC
3	MCU_SMB_SCL_M	4	MCU_SMB_SDA_M
5	VCC5	6	Ground

JTBT_U4_1: USB4 扩展卡接口

此接口允许您连接 MSI USB4 PD100W 扩展卡。



引脚	信号名称	引脚	信号名称
1	TBT_Force_PWR	2	TBT_S0IX_Entry_REQ
3	TBT_CIO_Plug_Event#	4	TBT_S0IX_Entry_ACK
5	SLP_S3#_TBT	6	TBT_PSON_Override_N
7	SLP_S5#_TBT	8	Net Name
9	Ground	10	SMBCLK_VSB
11	DG_PEWake	12	SMBDATA_VSB
13	TBT_RTD3_PWR_EN	14	Ground
15	TBT_Card_DET_R#	16	PD_IRQ#
17	GPP_C22	18	GPP_E3

CPU_FAN1, PUMP_FAN1, SYS_FAN1~6: 风扇接口

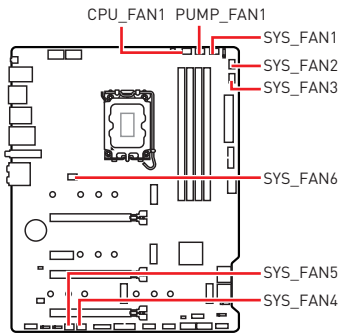
风扇接口可分为 PWM (脉冲宽度调制) 模式和 DC 模式。PWM 模式风扇接口使用速率控制信号提供恒定的 12V 输出和调节风扇速率。DC 模式风扇接口通过改变电压控制风扇速率。自动模式风扇接口可以自动检测 PWM 模式和 DC 模式。

您可以在 **BIOS> HARDWARE MONITOR** 面板中控制风扇。它允许您将 DC 或 PWM 设置为您的风扇类型。勾选 **Smart Fan Mode**, 风扇速率会根据 CPU 或系统温度而变化。取消勾选 **Smart Fan Mode**, 风扇将以最高速率旋转。



注意

确认在切换 PWM/ DC 模式后, 风扇工作正常。



PWM 模式针脚定义

针脚	信号名称	针脚	信号名称
1	Ground	2	+12V
3	Sense	4	Speed Control Signal

DC 模式针脚定义

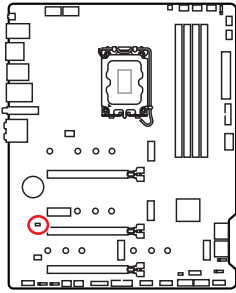
针脚	信号名称	针脚	信号名称
1	Ground	2	Voltage Control
3	Sense	4	NC

风扇接口规格

接口	默认风扇模式	最大电流	最大功率
CPU_FAN1	自动模式	2A	24W
PUMP_FAN1	PWM 模式	3A	36W
SYS_FAN1~6	DC 模式	1A	12W

JBAT1: 清除 CMOS (重启 BIOS) 跳线

主板上建有一个 CMOS 内存, 其中保存的系统配置数据需要通过一枚外置的电池来维持它。如果您想清除系统配置, 设置跳线清除 CMOS 内存。



保留数据
(默认)



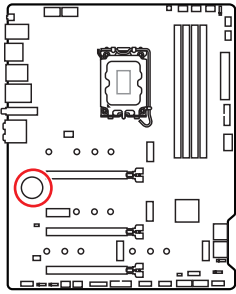
清除 CMOS/ 重
启 BIOS

重启 BIOS 为默认值

1. 关闭计算机电源, 并拔下电源插头。
2. 使用跳线帽让 **JBAT1** 短路持续约 5-10 秒。
3. 移除 **JBAT1** 上的跳线帽。
4. 插上电源插头并开启计算机上电源。

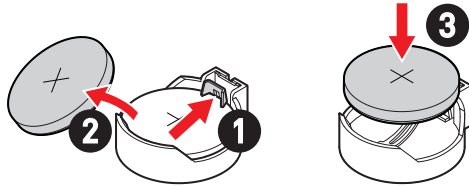
BAT1: CMOS 电池

如果 CMOS 电池电量耗尽, BIOS 中的时间将被重置, 系统配置数据将丢失。在这种情况下, 您需要更换 CMOS 电池。



更换 CMOS 电池

1. 推动固定夹以释放电池。
2. 从底座中移除电池。
3. 安装新的 CR2032 纽扣电池, + 符号朝上。确保固定器牢固地固定电池。



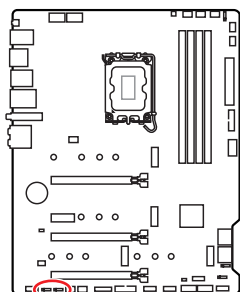
警告

请将本品放在儿童不能接触的地方

- 吞咽会导致化学灼伤, 软组织穿孔, 甚至死亡。
- 摄入后 2 小时内可发生严重灼伤。
- 如果您认为电池可能被吞食或放置在身体的任何部位, 请立即就医。

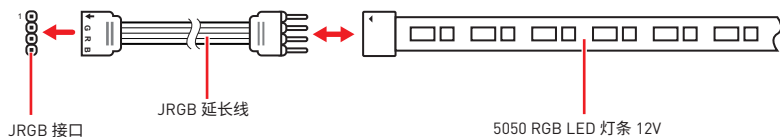
JRGB1~2: RGB LED 接口

JRGB 接口允许您连接 5050 RGB LED 灯条 12V。

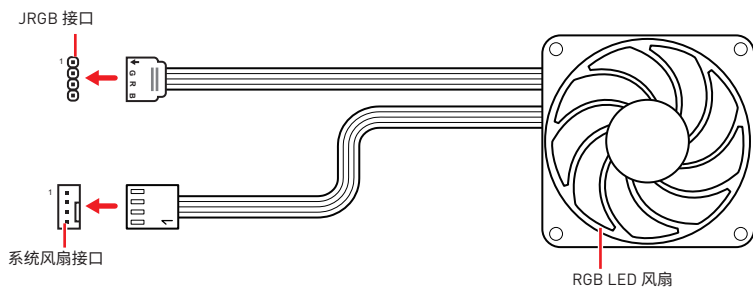


针脚	信号名称	针脚	信号名称
1	+12V	2	G
3	R	4	B

RGB LED 灯条连接



RGB LED 风扇连接

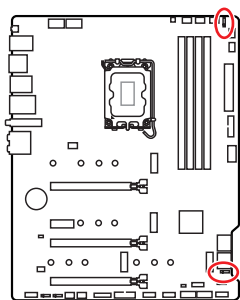


注意

- JRGB 接口支持高达 2 米连续的 5050 RGB LED 灯条 (12V/G/R/B) 和最大额定功率 3A (12V)。
- 在安装或拆卸 RGB LED 灯条时, 请先关闭电源, 并将电源线由插座上拔除。
- 请使用 MSI 软件来控制扩展 LED 灯条。

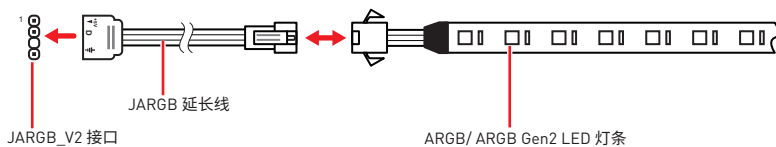
JARGB_V2_1~2: A-RAINBOW V2 (ARGB Gen2) LED 接口

JARGB_V2 接口允许您连接 ARGB Gen2 和 ARGB-based LED 灯条。JARGB_V2 接口支持多达 240 个单独寻址 RGB LEDs 和最大额定功率 3A [5V]。

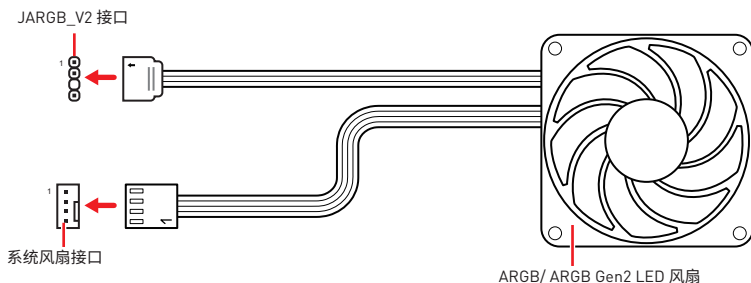


引脚	信号名称	引脚	信号名称
1	+5V	2	Data
3	No Pin	4	Ground

寻址 RGB LED 灯条连接



寻址 RGB LED 风扇连接



警告

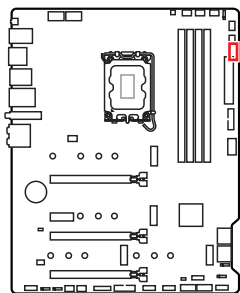
不要连接错误类型的 LED 灯条。JRGB 接口和 JARGB_V2 接口提供不同的电压, 如将 ARGB 5V LED 灯条连接到 JRGB 接口将会损坏 LED 灯条。

注意

- 我们强烈建议您安装相同规格的 LED 灯条, 以达到最佳效果。
- 在安装或拆卸寻址 RGB LED 灯条时, 请先关闭电源, 并将电源线由插座上拔除。
- 请使用 MSI 软件来控制扩展 LED 灯条。

简易侦错 LED 灯

LED 指示灯在主板中的侦错状态。



LED 颜色	状态
红色 	CPU 无法检测或故障
黄色 	DRAM 无法检测或故障
白色 	GPU 无法检测或故障
绿色 	启动设备无法检测或故障

安装操作系统, 驱动程序和 MSI Center

请通过 www.msi.com 下载并更新最新的工具程序和驱动程序

安装 Windows 10 / Windows 11

1. 启动计算机电源。
2. 将 Windows 10/ Windows 11 安装光盘 / U 盘插入计算机。
3. 按下计算机上的 **Restart** 按钮。
4. 计算机 POST (开机自我测试) 过程中按 **F11** 键进入启动菜单。
5. 从引导菜单中选择 Windows 10/ Windows 11 安装光盘 / U 盘。
6. 如果屏幕显示 **Press any key to boot from CD or DVD...** 消息时按任意键。如果没有, 请跳过此步骤。
7. 按照屏幕上的指示操作安装 Windows 10/ Windows 11。

使用 MSI® Driver DVD 安装驱动程序

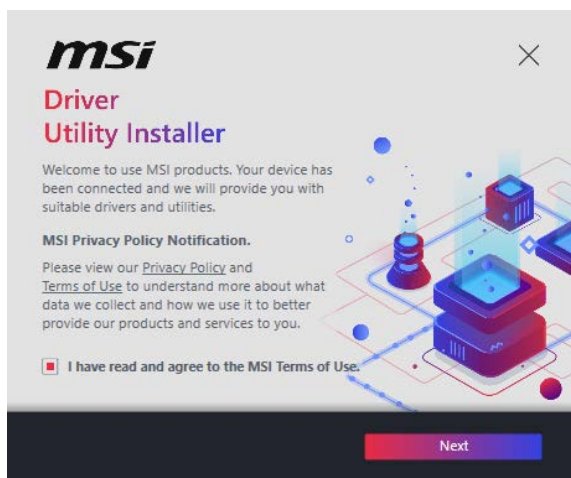
1. 启动您的计算机进入 Windows 10/ Windows 11。
2. 将 MSI® Driver DVD 插入光驱。
3. 点击 **Select to choose what happens with this disc** 弹出式通知, 然后选择 **Run DVDSetup.exe** 来打开安装程序。如果从 Windows 控制面板关闭 AutoPlay 功能, 您仍然可以从 MSI Driver DVD 的根路径手动执行 **DVDSetup.exe**。
4. 安装程序将在 **Drivers/Software** 选项卡中查找并列出所有必要的驱动程序。
5. 点击窗口右下角的 **Install** 按钮。
6. 驱动程序的安装将继续进行, 完成后将提示您重新启动。
7. 点击 **OK** 按钮完成安装。
8. 重新启动您的电脑。

使用 MSI Driver Utility Installer 安装驱动程序



注意

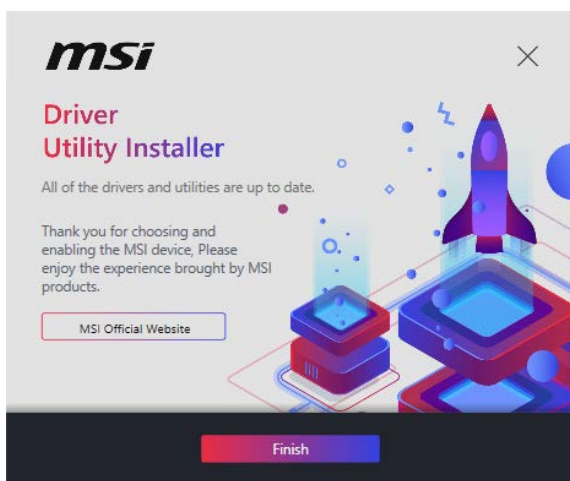
- Windows 10/ Windows 11 原生不支持一些新的网络芯片。建议在使用 MSI Driver Utility Installer 安装驱动程序之前安装 **LAN 驱动程序**。请访问 www.msi.com 为您的主板安装 LAN 驱动程序。
 - MSI Driver Utility Installer 只会弹出一次。如果您在此过程中取消或关闭它，请参考 MSI Center 手册的 Live Update 章节来安装驱动程序。您也可以前往 www.msi.com 搜索您的主板并下载驱动程序。
 - 需要通过互联网安装 MSI Driver Utility Installer。
1. 启动您的计算机进入 Windows 10/ Windows 11。
 2. 选择 **Start > Settings > Windows Update**, 然后选择 **Check** 更新。
 3. MSI Driver Utility Installer 会自动弹出。



4. 选中 **I have read and agree to the MSI Terms of Use** 复选框, 然后单击 **Next**。



- 选中左下角的 **Select All** 复选框, 然后单击 **Install** 以安装 MSI Center 和驱动程序。安装进度将在底部显示。



- 进度完成后, 单击 **Finish**。

MSI Center

MSI Center 是一款可帮助您轻松优化游戏设置并顺利使用内容创建软件的应用程序。它还使您可以控制和同步 PC 和其他 MSI 产品上的 LED 灯光效果。借助 MSI Center, 您可以自定义理想模式, 监视系统性能并调整风扇速度。

MSI Center 用户指南



如果您想了解有关 MSI Center 的更多信息,
请参考 <http://download.msi.com/manual/mb/MSICENTERCS.pdf>
或扫描 QR 码进行访问。



注意

功能可能因您所拥有的产品而有所不同。

UEFI BIOS

MSI UEFI BIOS 与 UEFI (Unified Extensible Firmware Interface) 体系结构兼容。UEFI 具有传统 BIOS 无法实现的许多新功能和优势, 未来将完全取代 BIOS。MSI UEFI BIOS 使用 UEFI 作为默认引导模式, 充分利用新芯片组的功能。



注意

除非另有说明, 否则本用户指南中的术语 BIOS 指 UEFI BIOS。

UEFI 优势

- 快速启动 - UEFI 可直接启动操作系统, 并保存 BIOS 自检过程。同时还消除了 POST 期间切换到 CSM 模式的时间。
- 支持大于 2 TB 的硬盘分区。
- 通过 GUID 分区表 (GPT) 支持 4 个以上的主分区。
- 支持无限数量的分区。
- 支持新设备的全部功能 - 新设备可能不提供向后兼容性。
- 支持安全启动 - UEFI 可检查操作系统的有效性, 以确保没有恶意软件篡改启动过程。

不兼容的 UEFI 情况

- **32位 Windows 操作系统** - 此主板仅支持 Windows 10/ Windows 11 64位操作系统。
- **较旧的显卡** - 系统将检测您的显卡。如果您使用较旧的显卡, 它可能会显示一条警告消息 **There is no GOP (Graphics Output protocol) support detected in this graphics card**, 在此显卡中未检测到 GOP (Graphics Output protocol) 支持。



注意

我们建议您替换为支持 GOP/UEFI 的显卡或使用板载显卡的 CPU 以使其正常功能。

如何检查 BIOS 模式?

1. 启动计算机电源。
2. 在开机程序中, 当屏幕上出现 **Press DEL key to enter Setup Menu, F11 to enter Boot Menu** 信息, 按下 **Delete** 键。
3. 进入 BIOS 后, 您可以在屏幕顶部检查 BIOS 模式。

BIOS 模式: UEFI

BIOS 设置

在正常情况下，默认设置为系统稳定提供最佳性能。您应该**始终保持默认设置**，以避免可能出现的系统损坏或无法开机，除非您熟悉 BIOS 设置。



注意

- 为了获得更好的系统性能，BIOS 项目描述不断更新。因此，这些描述可能有些稍微的不同，仅供参考。您也可以参考 BIOS 项目描述的**帮助**信息面板。
- BIOS 屏幕，选项和设置会因您的系统而有差异。

进入 BIOS 设置

在开机程序中，当屏幕上出现 **Press DEL key to enter Setup Menu, F11 to enter Boot Menu** 信息，按下 **Delete** 键。

功能键

- F1:** 主题帮助列表
- F2:** 添加 / 删除一个最喜欢的项目
- F3:** 进入 Favorites 客制化选单功能菜单
- F4:** 进入 CPU 规格菜单
- F5:** 进入 Memory-Z 菜单
- F6:** 载入优化设置默认值
- F7:** 高级模式 and EZ 模式之间切换
- F8:** 载入超频参数
- F9:** 保存超频参数
- F10:** 保存更改并重新启*
- F12:** 采取截图并将其保存到 U 盘中 (仅适用于 FAT/ FAT32 格式)。
- Ctrl+F:** 进入搜索页面

* 当您按 F10 时，会出现一个确认窗口，它提供了变更信息。请依您的需求选择 Yes 或 No。

BIOS 用户指南



如果您想了解有关设置 BIOS 的更多说明，请参考 https://download.msi.com/archive/mnu_exe/mb/Intel700BIOSsc.pdf 或扫描 QR 码进行访问。



注意

功能可能因您所拥有的产品而有所不同。

重启 BIOS

您可能需要还原默认的 BIOS 设置来解决某些问题。有几种方法来重启 BIOS：

- 转到 BIOS，然后按 **F6** 载入优化设置默认值。
- 短路主板上的清除 CMOS 跳线。



注意

在清除 CMOS 数据之前，请确保计算机已关机。请参考清除 CMOS 跳线部分，以了解重启 BIOS 的相关信息。

更新 BIOS

使用 M-FLASH 更新 BIOS

更新前：

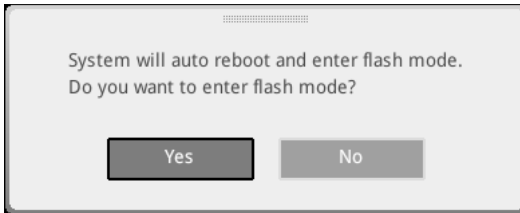
请从 MSI 的网站下载符合您主板型号的最新 BIOS 文件。然后将 BIOS 文件保存到 U 盘中。

更新 BIOS：

1. 通过多重 BIOS 开关切换到目标 BIOS ROM。如果您的主板没有此开关，请跳过此步骤。
2. 插入内有欲更新文件的 U 盘到 USB 端口上。
3. 请参考以下方法进入 flash 模式。
 - 在 POST 过程中重启并按 **Ctrl + F5** 键，然后点击 Yes 以重新启动系统。

Press <Ctrl+F5> to activate M-Flash for BIOS update.

- 在 POST 过程中重启并按 **Del** 键进入 BIOS。单击 **M-FLASH** 按钮，然后点击 Yes 以重新启动系统。



4. 选择一个 BIOS 文件执行 BIOS 更新过程。
5. 出现提示时，点击 **Yes** 来开始恢复 BIOS。
6. 刷新进度 100% 完成后，系统会自动重新启动。

使用 MSI Center 更新 BIOS

更新前：

- 请确认已安装 LAN 驱动程序以及正确设置因特网连接。
- 在更新 BIOS 之前，请关闭所有其他应用程序软件。

更新 BIOS：

1. 安装并运行 MSI Center，然后转到 **Support** 页面。
2. 选择 **Live Update**，然后单击 **Advanced** 按钮。
3. 选择 BIOS 文件，然后单击 **Install** 按钮。
4. 安装提示将出现，然后单击 **Install** 按钮。
5. 系统将自动重启以更新 BIOS。
6. BIOS 刷新 100% 完成后，系统将自动重启。

使用更新 BIOS 按钮更新 BIOS

1. 请从 MSI® 网站下载符合您主板型号的最新 BIOS 文件。
2. 重新命名 BIOS 文件为 MSI.ROM，并将其保存到 USB 存储设备的根目录中 (FAT32 格式)。
3. 连接电源供应器到 **CPU_PWR1** 和 **ATX_PWR1**。(无需安装 CPU 和内存。)
4. 插入内有 MSI.ROM 文件的 USB 存储设备到后置 I/O 面板的**更新 BIOS** 端口上。
5. 按**更新 BIOS** 按钮刷新 BIOS，LED 开始闪烁。
6. 处理完成后，LED 将熄灭。

Regulatory Notices

FCC-B Radio Frequency Interference Statement

This equipment has been tested and found to comply with the limits for a Class B digital device, pursuant to part 15 of the FCC rules. These limits are designed to provide reasonable protection against harmful interference in a residential installation. This equipment generates, uses and radiates radio frequency energy, and, if not installed and used in accordance with the instructions, may cause harmful interference to radio communications. However, there is no guarantee that interference will not occur in a particular installation. If this equipment does cause harmful interference to radio or television reception, which can be determined by turning the equipment off and on, the user is encouraged to try to correct the interference by one or more of the following measures:



- Reorient or relocate the receiving antenna.
- Increase the separation between the equipment and receiver.
- Connect the equipment into an outlet on a circuit different from that to which the receiver is connected.

NOTE

- The changes or modifications not expressly approved by the party responsible for compliance could void the user's authority to operate the equipment.
- Shield interface cables and AC power cord, if any, must be used in order to comply with the emission limits.

FCC Conditions

This device complies with part 15 of the FCC Rules. Operation is subject to the following two conditions:

- This device may not cause harmful interference.
- This device must accept any interference received, including interference that may cause undesired operation.

MSI Computer Corp.

901 Canada Court, City of Industry, CA 91748, USA

(626)913-0828

www.msi.com



CE Conformity

Products bearing the CE marking comply with one or more of the following EU Directives as may be applicable:



- RED 2014/53/EU
- Low Voltage Directive 2014/35/EU
- EMC Directive 2014/30/EU
- RoHS Directive 2011/65/EU
- ErP Directive 2009/125/EC

Compliance with these directives is assessed using applicable European Harmonized Standards.

The point of contact for regulatory matters is MSI-Europe: Eindhoven 5706 5692 ER Son.

Products with Radio Functionality (EMF)

This product incorporates a radio transmitting and receiving device. For computers in normal use, a separation distance of 20 cm ensures that radio frequency exposure levels comply with EU requirements. Products designed to be operated at closer proximities, such as tablet computers, comply with applicable EU requirements in typical operating positions. Products can be operated without maintaining a separation distance unless otherwise indicated in instructions specific to the product.

Restrictions for Products with Radio Functionality



CAUTION: IEEE 802.11x wireless LAN with 5.15~5.35 GHz frequency band is restricted for indoor use only in all European Union member states, EFTA (Iceland, Norway, Liechtenstein), and most other European countries (e.g., Switzerland, Turkey, Republic of Serbia). Using this WLAN application outdoors might lead to interference issues with existing radio services.



Radio frequency bands and maximum power levels

- Features: Wi-Fi 6E, BT
- Frequency Range: 2.4 GHz: 2400~2485MHz; 5 GHz: 5150~5350MHz, 5470~5725MHz, 5725~5850MHz; 6 GHz: 5955~6415MHz
- Max Power Level: 2.4 GHz: 20dBm; 5 GHz: 23dBm; 6 GHz: 23dBm

Wireless Radio Use

This device is restricted to indoor use when operating in the 2.4GHz, 5GHz, 6GHz frequency band.

Cet appareil doit être utilisé à l'intérieur.

당해 무선설비는 운용중 전파혼신 가능성이 있음.

この製品は、周波数帯域 2.4GHz, 5GHz, 6GHz で動作しているときは、屋内においてのみ使用可能です。

NCC無線設備警告聲明

工作頻率2.4GHz, 5GHz, 6GHz該頻段限於室內使用。

經型式認證合格之低功率射頻電機，非經許可，公司、商號或使用者均不得擅自變更頻率、加大功率或變更原設計之特性及功能。

低功率射頻電機之使用不得影響飛航安全及干擾合法通信；經發現有干擾現象時，應立即停用，並改善至無干擾時方得繼續使用。前項合法通信，指依電信法規定作業之無線電通信。低功率射頻電機須忍受合法通信或工業、科學及醫療用電波輻射性電機設備之干擾。

Compliance Statement of Innovation, Science and Economic Development Canada (ISED)

This device complies with with Innovation, Science and Economic Development Canada's licence-exempt RSS(s). Operation is subject to the following two conditions: (1) this device may not cause interference, and (2) this device must accept any interference, including interference that may cause undesired operation of the device.

Operation in the band 5150-5250 MHz is only for indoor use to reduce the potential for harmful interference to co-channel mobile satellite systems.

CAN ICES-003(B)/NMB-003(B)

Australia and New Zealand notice

This equipment incorporates a radio transmitting and receiving device. In normal use, a separation distance of 20 cm ensures that radio frequency exposure levels comply with the Australian and New Zealand Standards.

クラスB情報技術装置

この装置は、クラスB情報技術装置です。この装置は、家庭環境で使用することを目的としていますが、この装置がラジオやテレビジョン受信機に近接して使用されると、受信障害を引き起こすことがあります。取扱説明書に従って正しい取り扱いをして下さい。

VCCI-B

KC인증서



R-R-MSI-30-7E06

상호: (주)엠에스아이코리아

제품명: 메인보드

모델명: 30-7E06

제조년월: 2023년

제조사 및 제조국가: MSI/중국



Battery Information

European Union:



Batteries, battery packs, and accumulators should not be disposed of as unsorted household waste. Please use the public collection system to return, recycle, or treat them in compliance with the local regulations.

BSMI:



廢電池請回收

For better environmental protection, waste batteries should be collected separately for recycling or special disposal.

California, USA:



The button cell battery may contain perchlorate material and requires special handling when recycled or disposed of in California.

For further information please visit:

<http://www.dtsc.ca.gov/hazardouswaste/perchlorate/>

CAUTION: There is a risk of explosion, if battery is incorrectly replaced. Replace only with the same or equivalent type recommended by the manufacturer.

Chemical Substances Information

In compliance with chemical substances regulations, such as the EU REACH Regulation (Regulation EC No. 1907/2006 of the European Parliament and the Council), MSI provides the information of chemical substances in products at:

<https://csr.msi.com/global/index>

Environmental Policy

- The product has been designed to enable proper reuse of parts and recycling and should not be thrown away at its end of life.
- Users should contact the local authorized point of collection for recycling and disposing of their end-of-life products.
- Visit the MSI website and locate a nearby distributor for further recycling information.
- Users may also reach us at gpcontdev@msi.com for information regarding proper Disposal, Take-back, Recycling, and Disassembly of MSI products.



WEEE (Waste Electrical and Electronic Equipment) Statement

ENGLISH

To protect the global environment and as an environmentalist, MSI must remind you that...

Under the European Union ("EU") Directive on Waste Electrical and Electronic Equipment, Directive 2002/96/EC, which takes effect on August 13, 2005, products of "electrical and electronic equipment" cannot be



discarded as municipal wastes anymore, and manufacturers of covered electronic equipment will be obligated to take back such products at the end of their useful life. MSI will comply with the product take back requirements at the end of life of MSI-branded products that are sold into the EU. You can return these products to local collection points.

DEUTSCH

Hinweis von MSI zur Erhaltung und Schutz unserer Umwelt

Gemäß der Richtlinie 2002/96/EG über Elektro- und Elektronik-Altgeräte dürfen Elektro- und Elektronik-Altgeräte nicht mehr als kommunale Abfälle entsorgt werden. MSI hat europaweit verschiedene Sammel- und Recyclingunternehmen beauftragt, die in die Europäische Union in Verkehr gebrachten Produkte, am Ende seines Lebenszyklus zurückzunehmen. Bitte entsorgen Sie dieses Produkt zum gegebenen Zeitpunkt ausschliesslich an einer lokalen Altgerätesammelstelle in Ihrer Nähe.

FRANÇAIS

En tant qu'écologiste et afin de protéger l'environnement, MSI tient à rappeler ceci...

Au sujet de la directive européenne (EU) relative aux déchets des équipements électriques et électroniques, directive 2002/96/EC, prenant effet le 13 août 2005, que les produits électriques et électroniques ne peuvent être déposés dans les décharges ou tout simplement mis à la poubelle. Les fabricants de ces équipements seront obligés de récupérer certains produits en fin de vie. MSI prendra en compte cette exigence relative au retour des produits en fin de vie au sein de la communauté européenne. Par conséquent vous pouvez retourner localement ces matériels dans les points de collecte.

РУССКИЙ

Компания MSI предпринимает активные действия по защите окружающей среды, поэтому напоминаем вам, что....

В соответствии с директивой Европейского Союза (ЕС) по предотвращению загрязнения окружающей среды использованным электрическим и электронным оборудованием (директива WEEE 2002/96/EC), вступающей в силу 13 августа 2005 года, изделия, относящиеся к электрическому и электронному оборудованию, не могут рассматриваться как бытовой мусор, поэтому производители вышеперечисленного электронного оборудования обязаны принимать его для переработки по окончании срока службы. MSI обязуется соблюдать требования по приему продукции, проданной под маркой MSI на территории ЕС, в переработку по окончании срока службы. Вы можете вернуть эти изделия в специализированные пункты приема.

ESPAÑOL

MSI como empresa comprometida con la protección del medio ambiente, recomienda:

Bajo la directiva 2002/96/EC de la Unión Europea en materia de desechos y/o equipos electrónicos, con fecha de rigor desde el 13 de agosto de 2005, los productos clasificados como "eléctricos y equipos electrónicos" no pueden ser depositados en los contenedores habituales de su municipio, los fabricantes de equipos electrónicos, están obligados a hacerse cargo de dichos productos al termino de su período de vida. MSI estará comprometido con los términos de recogida de sus productos vendidos en



la Unión Europea al final de su periodo de vida. Usted debe depositar estos productos en el punto limpio establecido por el ayuntamiento de su localidad o entregar a una empresa autorizada para la recogida de estos residuos.

NEDERLANDS

Om het milieu te beschermen, wil MSI u eraan herinneren dat...

De richtlijn van de Europese Unie (EU) met betrekking tot Vervuiling van Electricische en Electronische producten (2002/96/EC), die op 13 Augustus 2005 in zal gaan kunnen niet meer beschouwd worden als vervuiling. Fabrikanten van dit soort producten worden verplicht om producten retour te nemen aan het eind van hun levenscyclus. MSI zal overeenkomstig de richtlijn handelen voor de producten die de merknaam MSI dragen en verkocht zijn in de EU. Deze goederen kunnen geretourneerd worden op lokale inzamelingspunten.

SRPSKI

Da bi zaštitili prirodnu sredinu, i kao preduzeće koje vodi računa o okolini i prirodnoj sredini, MSI mora da vas podesti da...

Po Direktivi Evropske unije ("EU") o odbačenoj eelektronskoj i električnoj opremi, Direktiva 2002/96/EC, koja stupa na snagu od 13. Avgusta 2005, proizvodi koji spadaju pod "elektronsku i električnu opremu" ne mogu više biti odbačeni kao običan otpad i proizvođači ove opreme biće prinuđeni da uzmu natrag ove proizvode na kraju njihovog uobičajenog veka trajanja. MSI će poštovati zahtev o preuzimanju ovakvih proizvoda kojima je istekao vek trajanja, koji imaju MSI oznaku i koji su prodati u EU. Ove proizvode možete vratiti na lokalnim mestima za prikupljanje.

POLSKI

Aby chronić nasze środowisko naturalne oraz jako firma dbająca o ekologię, MSI przypomina, że...Zgodnie z Dyrektywą Unii Europejskiej ("UE") dotyczącą odpadów produktów elektrycznych i elektronicznych (Dyrektywa 2002/96/EC), która wchodzi w życie 13 sierpnia 2005, tzw. "produkty oraz wyposażenie elektryczne i elektroniczne" nie mogą być traktowane jako śmieci komunalne, tak więc producenci tych produktów będą zobowiązani do odbierania ich w momencie gdy produkt jest wycofywany z użycia. MSI wypełni wymagania UE, przyjmując produkty (sprzedawane na terenie Unii Europejskiej) wycofywane z użycia. Produkty MSI będzie można zwracać w wyznaczonych punktach zbiorczych.

TÜRKÇE

Çevreci özelliğiyle bilinen MSI dünyada çevreyi korumak için hatırlatır: Avrupa Birliği (AB) Kararnamesi Elektrik ve Elektronik Malzeme Atığı, 2002/96/EC Kararnamesi altında 13 Ağustos 2005 tarihinden itibaren geçerli olmak üzere, elektrikli ve elektronik malzemeler diğer atıklar gibi çöpe atılmayacak ve bu elektronik cihazların üreticileri, cihazların kullanım süreleri bittikten sonra ürünleri geri toplamakla yükümlü olacaktır. Avrupa Birliği'ne satılan MSI markalı ürünlerin kullanım süreleri bittiğinde MSI ürünlerin geri alınması isteği ile işbirliği içerisinde olacaktır. Ürünlerinizi yerel toplama noktalarına bırakabilirsiniz.

ČESKY

Záleží nám na ochraně životního prostředí - společnost MSI upozorňuje...

Podle směrnice Evropské unie ("EU") o likvidaci elektrických a elektronických výrobků 2002/96/EC platné od 13. srpna 2005 je zakázáno likvidovat "elektrické a elektronické

výrobky” v běžném komunálním odpadu a výrobci elektronických výrobků, na které se tato směrnice vztahuje, budou povinni odebírat takové výrobky zpět po skončení jejich životnosti. Společnost MSI splní požadavky na odebírání výrobků značky MSI, prodávaných v zemích EU, po skončení jejich životnosti. Tyto výrobky můžete odevzdat v místních sběrnách.

MAGYAR

Annak érdekében, hogy környezetünket megvédjük, illetve környezetvédőként fellépve az MSI emlékezteti Önt, hogy ...

Az Európai Unió („EU”) 2005. augusztus 13-án hatályba lépő, az elektromos és elektronikus berendezések hulladékairól szóló 2002/96/EK irányelve szerint az elektromos és elektronikus berendezések többé nem kezelhetőek lakossági hulladékként, és az ilyen elektronikus berendezések gyártói kötelessé válnak az ilyen termékek visszavételére azok hasznos élettartama végén. Az MSI betartja a termékvisszavétellel kapcsolatos követelményeket az MSI márkanév alatt az EU-n belül értékesített termékek esetében, azok élettartamának végén. Az ilyen termékeket a legközelebbi gyűjtőhelyre viheti.

ITALIANO

Per proteggere l'ambiente, MSI, da sempre amica della natura, ti ricorda che....

In base alla Direttiva dell'Unione Europea (EU) sullo Smaltimento dei Materiali Elettrici ed Elettronici, Direttiva 2002/96/EC in vigore dal 13 Agosto 2005, prodotti appartenenti alla categoria dei Materiali Elettrici ed Elettronici non possono più essere eliminati come rifiuti municipali: i produttori di detti materiali saranno obbligati a ritirare ogni prodotto alla fine del suo ciclo di vita. MSI si adegnerà a tale Direttiva ritirando tutti i prodotti marchiati MSI che sono stati venduti all'interno dell'Unione Europea alla fine del loro ciclo di vita. È possibile portare i prodotti nel più vicino punto di raccolta

日本JIS C 0950材質宣言

日本工業規格JIS C 0950により、2006年7月1日以降に販売される特定分野の電気および電子機器について、製造者による含有物質の表示が義務付けられます。

<https://csr.msi.com/tw/Japan-JIS-C-0950-Material-Declarations>

India RoHS

This product complies with the “India E-waste (Management and Handling) Rule 2011” and prohibits use of lead, mercury, hexavalent chromium, polybrominated biphenyls or polybrominated diphenyl ethers in concentrations exceeding 0.1 weight % and 0.01 weight % for cadmium, except for the exemptions set in Schedule 2 of the Rule.

Türkiye EEE yönetmeliği

Türkiye Cumhuriyeti: EEE Yönetmeliğine Uygundur

Україна обмеження на наявність небезпечних речовин

Обладнання відповідає вимогам Технічного регламенту щодо обмеження використання деяких небезпечних речовин в електричному та електронному обладнанні, затвердженого постановою Кабінету Міністрів України від 3 грудня 2008 № 1057.

Việt Nam RoHS

Kể từ ngày 01/12/2012, tất cả các sản phẩm do công ty MSI sản xuất tuân thủ Thông tư số 30/2011/TT-BCT quy định tạm thời về giới hạn hàm lượng cho phép của một số hóa chất độc hại có trong các sản phẩm điện, điện tử”

MS-7E06主板产品中有害物质的名称及含量

部件名称	有害物质					
	铅 (Pb)	汞 (Hg)	镉 (Cd)	六价铬 (Cr(VI))	多溴联苯 (PBB)	多溴二苯醚 (PBDE)
印刷电路板组件*	×	○	○	○	○	○
纽扣电池	○	○	○	○	○	○
外部信号连接头	×	○	○	○	○	○
其他(例: 线材等)	×	○	○	○	○	○

本表格依据 SJ/T 11364 的规定编制。

○: 表示该有害物质在该部件所有均质材料中的含量均在 GB/T 26572 规定的限量要求以下。

×: 表示该有害物质至少在该部件的某一均质材料中的含量超出 GB/T 26572 规定的限量要求, 但所有部件都符合欧盟RoHS要求。

* 印刷电路板组件: 包括印刷电路板及其构成的零部件。

■ 上述有毒有害物质或元素清单会依型号之部件差异而有所增减。

■ 产品部件本体上如有环保使用期限标识, 以本体标识为主。

限用物質含有情況標示聲明書

設備名稱: 電腦主機板		型號(型式): MS-7E06				
單元	限用物質及其化學符號					
	鉛 (Pb)	汞 (Hg)	鎘 (Cd)	六價鉻 (Cr ⁺⁶)	多溴聯苯 (PBB)	多溴二苯醚 (PBDE)
電路板	○	○	○	○	○	○
電子元件	—	○	○	○	○	○
金屬機構件	—	○	○	○	○	○
塑膠機構件	○	○	○	○	○	○

備考1. “超出0.1 wt %” 及 “超出0.01 wt %” 係指限用物質之百分比含量超出百分比含量基準值。

備考2. “○” 係指該項限用物質之百分比含量未超出百分比含量基準值。

備考3. “—” 係指該項限用物質為排除項目。

Copyright and Trademarks Notice

Copyright © Micro-Star Int'l Co., Ltd. All rights reserved. The MSI logo used is a registered trademark of Micro-Star Int'l Co., Ltd. All other marks and names mentioned may be trademarks of their respective owners. No warranty as to accuracy or completeness is expressed or implied. MSI reserves the right to make changes to this document without prior notice.



The terms HDMI™, HDMI™ High-Definition Multimedia Interface, HDMI™ Trade dress and the HDMI™ Logos are trademarks or registered trademarks of HDMI™ Licensing Administrator, Inc.

Technical Support

If a problem arises with your system and no solution can be obtained from the user guide, please contact your place of purchase or local distributor. Alternatively, please try the following help resources for further guidance.

- Visit the MSI website for technical guide, BIOS updates, driver updates, and other information: <http://www.msi.com>
- Register your product at: <http://register.msi.com>

Revision History

- Version 3.0, 2023/08, First release for Z790 GAMING PLUS WIFI
- Version 3.1, 2023/11, update CPU spec.
- Version 3.2, 2023/11, update M2_1 installation.

