

MPN: RCCTV004

by Logon Maxi Classic Pole Mounted CCTV Cabinet For 4 cameras

Product Dimensions: W:575 x D:425 x H:700mm

If you are looking for a durable and reliable camera cabinet that can withstand harsh weather conditions and external impacts, look no further than the Classic Series Pole Type Camera Cabinet.

This product offers a range of features that make it ideal for outdoor surveillance and security applications including four camera installation points, one of which is movable.

Features

The double wall structure and gaskets on the doors and top cap provides maximum weather and dust protection for active devices inside the cabinet by creating a layer of insulation between the inner and outer walls.

A fan module with 2 fans and a thermostat is provided to ensure that the devices inside the cabinet are cooled properly. The module features a replaceable ventilation filter inside the cabinet which prevents dust and water inlets without compromising sufficient airflow.

DIN rails are provided for the devices and electric equipments to be used inside the cabinet.

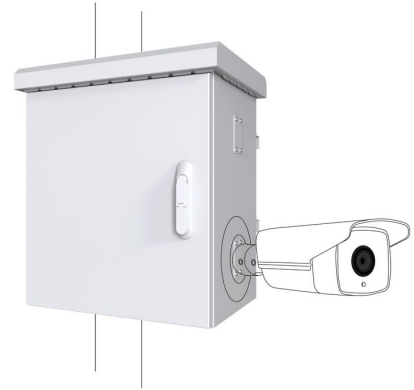
The hinged top cap enables you to open the top cap easily from inside the cabinet, so you can access the fan modules and other components without any hassle.

Easy installation

The pole installation allows you to fix the cabinet to the pole easily by means of its specially designed connection apparatus. You don't need any special tools or skills to install this product.

1. Steel Door
2. Pole mounting brackets included
3. Galvanized Steel
4. RAL7035

- Pole mounting brackets included
- 3 x Shelves included
- 3 x Din rails included
- 2 way fan with thermostat and ip filter included
- 6 x D rings for cable management included
- Door switch included



Specifications

Features		
Castor wheels	No	
Cooling type	Passive	
Frame type	Closed	
Front door construction	Steel	
Front door key lock	Yes	

Features

International Protection (IP) code	IP66
Key lock	Yes
Material	Galvanized steel
Maximum weight capacity	75 kg
Preassembled	Yes
Product colour	White
Rack capacity	0U
Rack rails	No
Soundproof	No
Type	Outdoor Rack

Vendor information

Brand Name	Lanview
Warranty	5 Year(s)

Other products in this series

Product Height	
50	RCCTV005
55	RCCTV002
70.5	RCCTV004
72.5	RCCTV003

Other images

