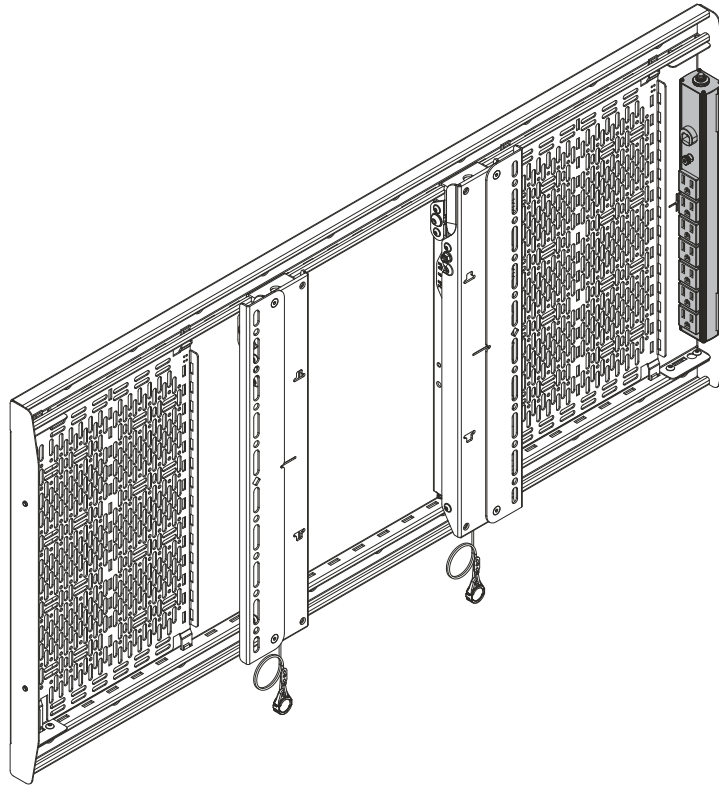


---

# INSTALLATION INSTRUCTIONS

---



---

## Tempo™ Flat Panel Wall Mount System, PDU Bundle

---

---

**CHIEF**®

A brand of **legrand**®

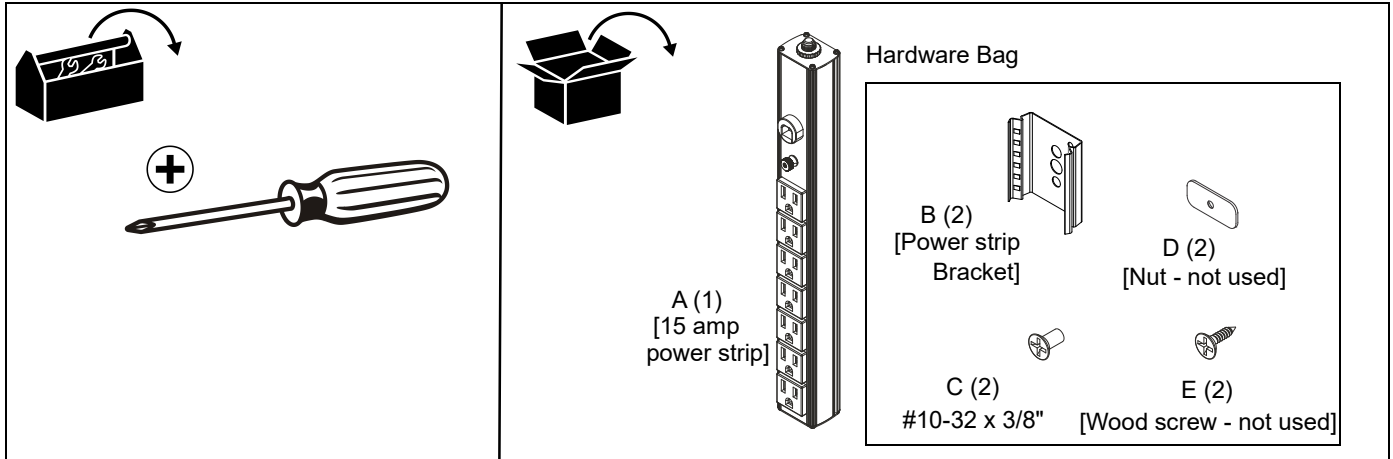
**AS3LDP7**

---

Patent Pending

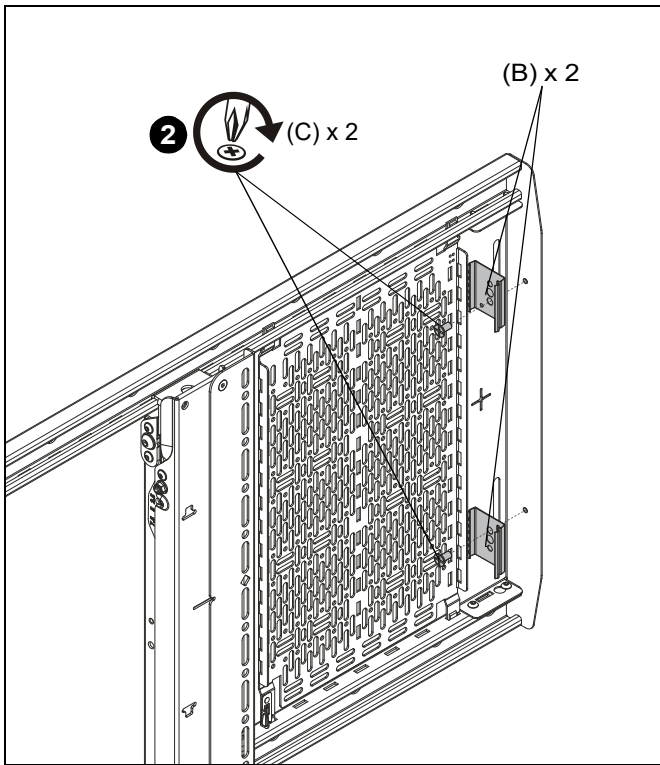


**TOOLS / PARTS FOR INSTALLATION**



**ASSEMBLY AND INSTALLATION**

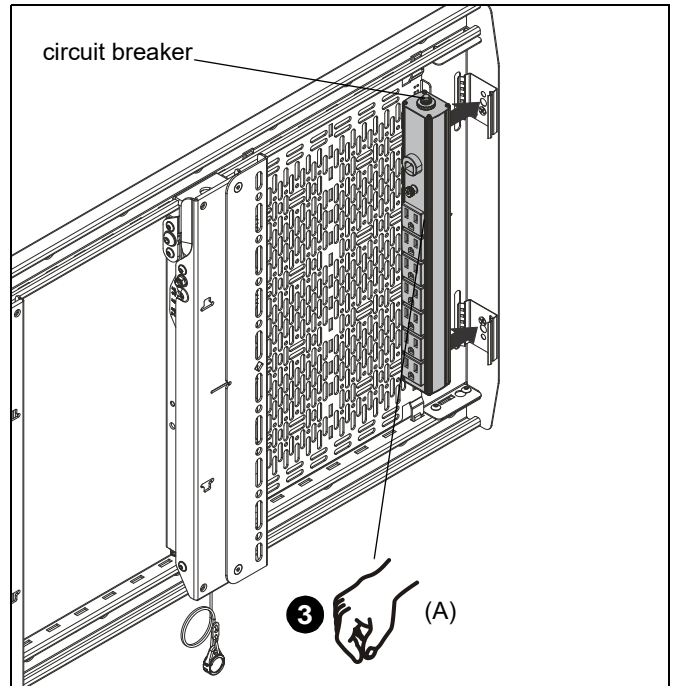
1. Install AS3LD wall mount to wall following AS3LD installation instructions.
2. Use two #10-32 x 3/8" Phillips undercut screws (B) to secure two power strip brackets (B) to side of AS3LD mount. (See Figure 1)



**Figure 1**

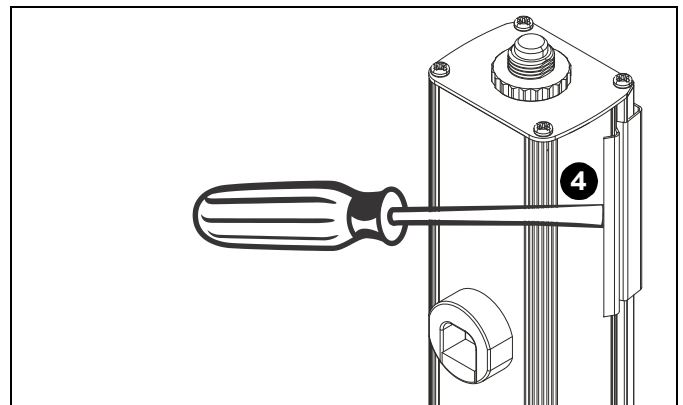
3. Install power strip (A) into brackets installed in Step 2. Power strip should "click" into place securely. (See Figure 2)

**NOTE:** Make sure power strip is installed with enough clearance for end circuit breaker use.



**Figure 2**

4. Use a flathead screwdriver to gently pry power strip (A) from brackets (B) to remove as needed. (See Figure 3)



**Figure 3**

# CHIEF®

A brand of  **legrand**

8800-003388 Rev02  
©2023 Legrand | AV  
[www.legrandav.com](http://www.legrandav.com)  
09/2023

<b>USA/International</b>	<b>A</b> 6436 City West Parkway, Eden Prairie, MN 55344 <b>P</b> 800.582.6480 / 952.225.6000 <b>F</b> 877.894.6918 / 952.894.6918
<b>Europe</b>	<b>A</b> Franklinstraat 14, 6003 DK Weert, Netherlands <b>P</b> +31 (0) 495 580 852 <b>F</b> +31 (0) 495 580 845
<b>Asia Pacific</b>	<b>A</b> Office No. 918 on 9/F, Shatin Galleria 18-24 Shan Mei Street Fotan, Shatin, Hong Kong <b>P</b> 852 2145 4099 <b>F</b> 852 2145 4477

