



15.6" PCAP 10 points multi-touch monitor with edge-to-edge glass and IPS panel technology

The ProLite T1633MSC-B1 uses projective capacitive touch technology, built into an eye catching bezel with edge-to-edge glass. The screen guarantees high durability, scratch-resistance, clarity and a perfect picture performance. Featuring IPS Panel Technology and Full HD (1920x1080) resolution, it offers natural, highly accurate colours and wide viewing angles. The flexible stand can be positioned at several angels creating a comfortable and ergonomic user experience and the integrated cable management system hides all the cables and electrical wires giving a neat and cable-free workspace. In addition to the superb image quality, the screen comes with an IP54 rating, which means the screen and bezel is dust and water resistant from the front. A perfect solution for retail applications.



Touch technology - Capacitive

This technology uses a sensor-grid of micro-fine wires integrated into the glass that covers the screen. Touch is detected because electrical characteristics of the sensor grid change when human finger is placed on the glass. Thanks to the glass overlay this technology is highly durable, and the touch function remains unaffected even if the glass is scratched. It offers perfect picture performance and will work with human finger (also latex gloved) and stylus-pen.



Scratch resistance

Scratch resistance is a critical requirement for touch solutions deployed in commercial, educational, and industrial environments. A protective glass overlay covering the screen provides enhanced durability, ensuring reliable touch performance over time. The touch functionality remains fully operational and unaffected.

01 DISPLAY CHARACTERISTICS

Design	Edge to edge glass
Diagonal	15.6", 39.5cm
Panel	IPS
Native resolution	1920 x 1080 @60Hz (2.0 megapixel)
Aspect ratio	16:9
Panel brightness	450 cd/m ²
Brightness	385 cd/m ² with touch
Light transmittance	85%
Static contrast	1000:1
Response time (GTG)	5ms
Viewing zone	horizontal/vertical: 178°/178°, right/left: 89°/89°, up/down: 89°/89°
Colour support	16.7mln
Horizontal Sync	30 - 68kHz
Viewable area W x H	344.2 x 193.6mm, 13.6 x 7.6"
Pixel pitch	0.179mm
Bezel colour and finish	black, matte
Reommended usage	retail

02 TOUCH

Touch technology	projective capacitive
Touch points	10 (HID, only with supported OS)
Touch method	stylus, finger, glove (latex)
Touch interface	USB
Supported operating systems	All iiyama monitors are Plug & Play and compatible with Windows and Linux. For details regarding the supported OS for the touch models, please refer to the driver instruction file available in the downloads section.
Palm rejection	yes

03 INTERFACES / CONNECTORS / CONTROLS

Digital signal input	HDMI x1 DisplayPort x1
Audio output	Speakers 2 x 2W
HDCP	yes
USB HUB	x2 (2.0 (DC5V, 500mA))

04 FEATURES

Water and dust protection	IP54 (front)
OSD key lock	yes

05 GENERAL

OSD languages	EN, DE, FR, ES, IT, PT, CN, RU, JP, CZ, NL, PL
Control buttons	Power, Menu, Volume +, Volume -, Input

User controls	Luminance (contrast, brightness, i-Style color, adv. contrast, overdrive), image setup (aspect ratio), color temp., OSD setup (H. position, V. position, timeout, language, touch wake up), extra (input select, DDC/CI, reset, opening logo, LED, volume, information)
----------------------	---

Convenience	Kensington-lock™ prepared
--------------------	---------------------------

Blue light reducer	yes
---------------------------	-----

Plug&Play	DDC2B
----------------------	-------

06 MECHANICAL

Tilt angle	90° up; 5° down
-------------------	-----------------

Fanless design	yes
-----------------------	-----

VESA mounting	100 x 100mm
----------------------	-------------

Cable management system	yes
--------------------------------	-----

MTBF	50 000 hours (excluding backlight)
-------------	------------------------------------

07 ACCESSORIES INCLUDED

Cables	power, USB, HDMI
---------------	------------------

Guides	quick start guide, safety guide
---------------	---------------------------------

Other	AC adapter
--------------	------------

Cable cover	yes
--------------------	-----

08 POWER MANAGEMENT

Power supply unit	external
--------------------------	----------

Power supply	DC 12 V
---------------------	---------

Power usage	12W typical, 8W stand by, 0.5W off mode
--------------------	---

09 SUSTAINABILITY

Regulations	CE, TÜV-Bauart, EAC, RoHS support, ErP, WEEE, REACH, UKCA
--------------------	---

Energy efficiency class (Regulation (EU) 2017/1369)	C
--	---

REACH SVHC	above 0.1%: Lead
-------------------	------------------

10 DIMENSIONS / WEIGHT

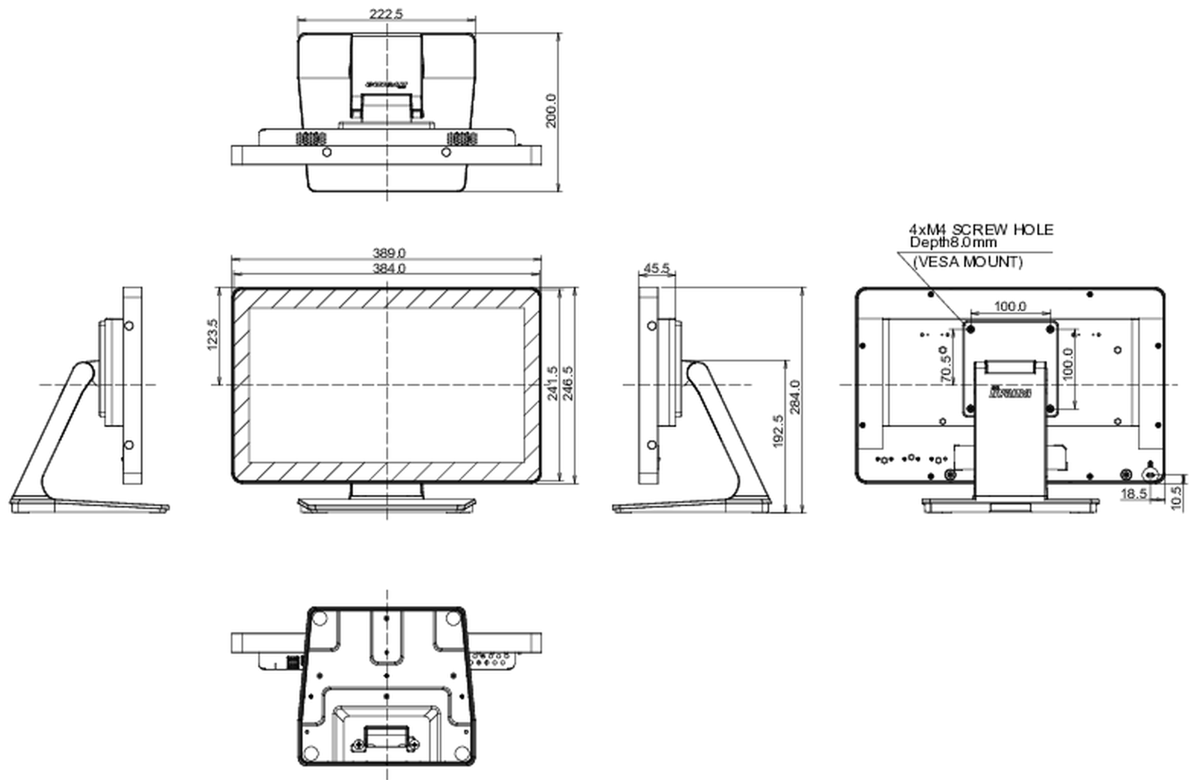
Product dimensions W x H x D	389 x 284 x 200mm
-------------------------------------	-------------------

Box dimensions W x H x D	475 x 343 x 169mm
---------------------------------	-------------------

Weight (without box)	3.4kg
-----------------------------	-------

Weight (without stand)	5.3kg
-------------------------------	-------

EAN code	4948570122523
-----------------	---------------



All trademarks and registered trademarks acknowledged. E & O E. Specification subject to change without notice. All LCD's comply with ISO-9241-307:2008 in connection with pixel defects.

© IIYAMA CORPORATION. ALL RIGHTS RESERVED