

# DANUBE SAVA BX203

COMPUTER CASE

BLACK P/N.: AB128512

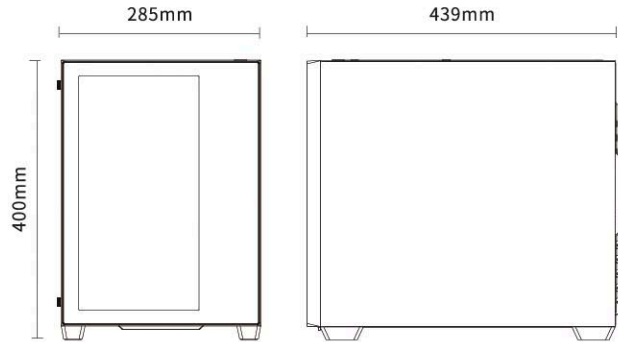
WHITE P/N.: AB128513

## USER MANUAL

### PRODUCT FEATURES

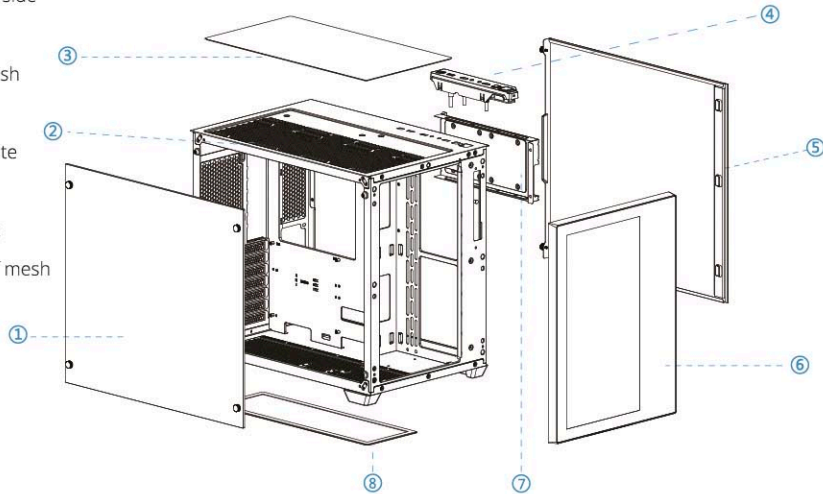
- Dual U3 + Type-C, which supports fast interface updating.
- Simple dual-glass design, which makes the product cooler.
- Wide hardware design, which ensures better compatibility.
- Efficient heat dissipation, which supports 10 fans at most.

\* Product design and specifications may be revised to improve quality and performance without notice.

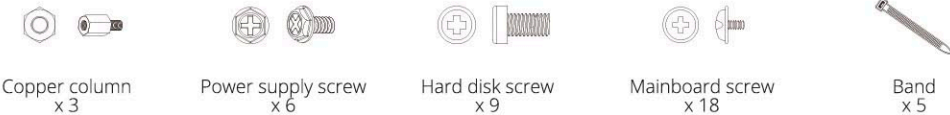


### CASE STRUCTURE

- ① Transparent glass side
- ② Main frame
- ③ Top dustproof mesh
- ④ I/O components
- ⑤ Hardware side plate
- ⑥ Glass panel
- ⑦ Hard disk support
- ⑧ Bottom dustproof mesh

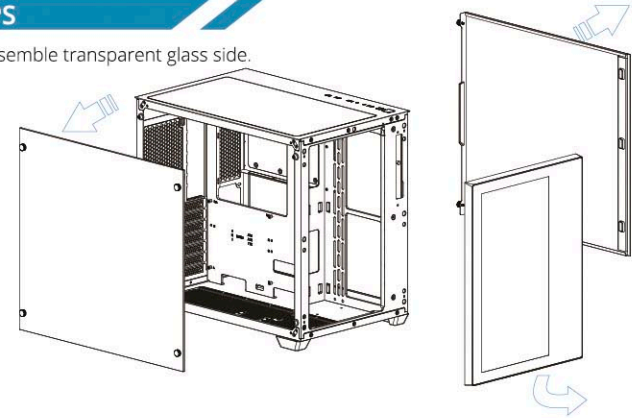


### ACCESSORIES



### DISASSEMBLY STEPS

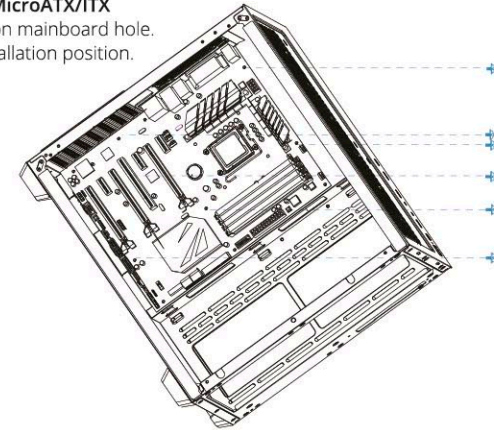
- Loosen the screw to disassemble transparent glass side.
- Dismantle panel.



### INSTALL MAINBOARD

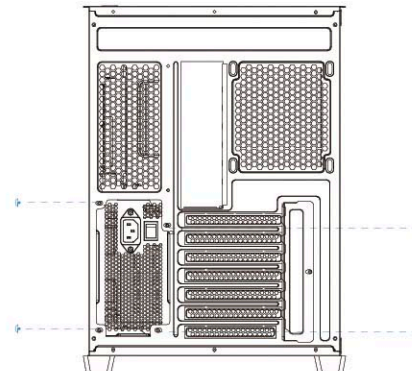
#### Applicable mainboards: ATX/MicroATX/ITX

- Mount copper column based on mainboard hole.
- Set mainboard at the case installation position.
- Fasten screw.



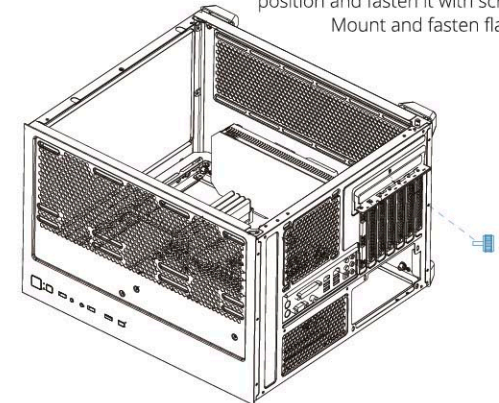
### INSTALL POWER SUPPLY

- Set power supply to case installation position.
- Fix it with 4 power supply screws.



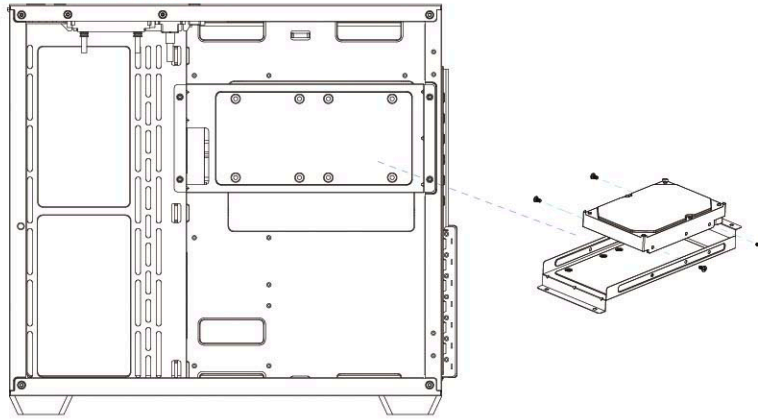
### INSTALL GRAPHICS CARD

- Loosen the screw to disassemble flap
- Set graphics card to case installation position and fasten it with screw
- Mount and fasten flap



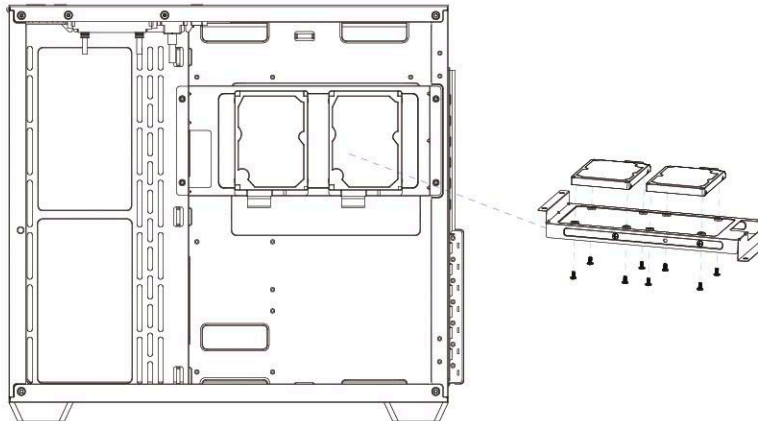
## INSTALL HDD

- Loosen screw to disassemble hard disk frame.
- Install HDD.
- Put hard disk back to frame.
- Fasten it with screw.

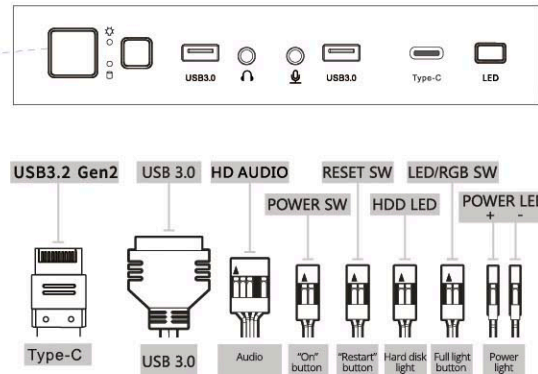
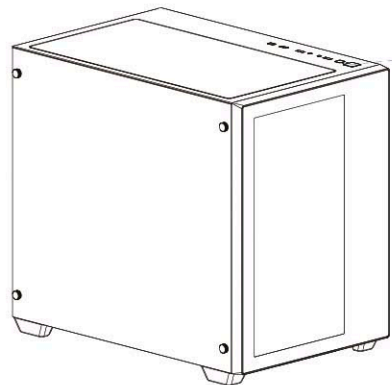


## INSTALL SSD

- Loosen screw to disassemble hard disk frame.
- Install SSD.
- Put hard disk back to frame.
- Fasten it with screw.



## I/O PANEL



## INSTALL FAN AND RADIATOR

The configuration of fan and water cooling radiator for this case is shown below:

### Side:

- 120mm fan x 3
- 140mm fan x 2

### Top:

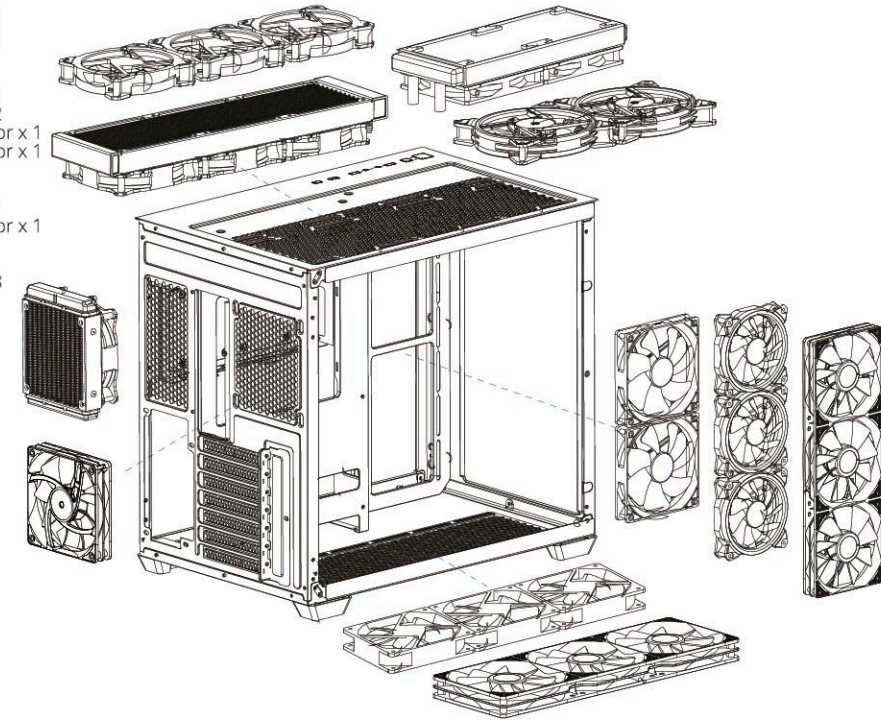
- 120mm fan x 3
- 140 mm fan x 2
- 360 mm radiator x 1
- 280 mm radiator x 1

### Rear:

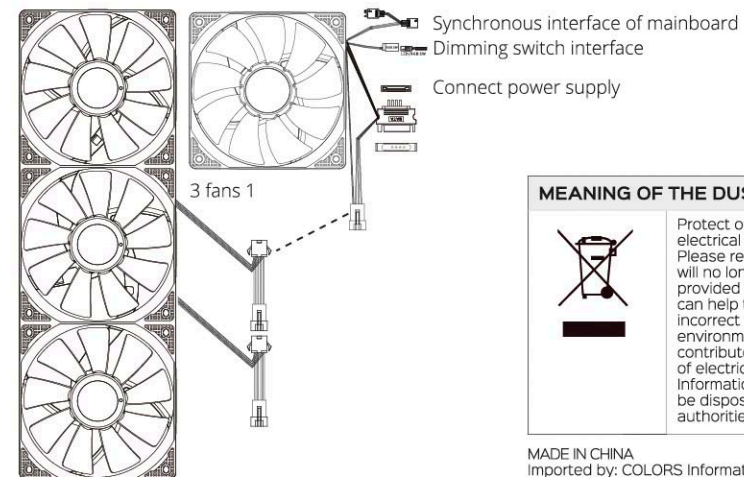
- 120 mm fan x 1
- 120 mm radiator x 1

### Bottom:

- 120 mm fan x 3



## INSTRUCTIONS FOR DIMMING OF DAZZLING FAN

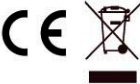


### MEANING OF THE DUSTBIN SYMBOL



Protect our environment: do not dispose of electrical equipment in your domestic waste. Please return any electrical equipment that you will no longer use to the collection points provided for their disposal. These simple steps can help to avoid the potential effects that incorrect waste disposal can cause on the environment and human health. This will contribute to recycling and other forms of re-use of electrical and electronic equipment. Information concerning where the equipment can be disposed of can be obtained from your local authorities.

MADE IN CHINA  
 Imported by: COLORS Information Technology, S.L.  
 C/ Morse, 49 - Pol. Ind. San Marcos  
 28906 Getafe (Madrid)  
 CIF: B-84045574 · www.colors-it.es



Note: The standard three fans are in reverse blade design  
 Wind direction is contrary to common fan