

# Precision Compact

## Accessories Installation Guide

## Notes, cautions, and warnings

 **NOTE:** A NOTE indicates important information that helps you make better use of your product.

 **CAUTION:** A CAUTION indicates either potential damage to hardware or loss of data and tells you how to avoid the problem.




 **WARNING:** A WARNING indicates a potential for property damage, personal injury, or death.

# Contents

<b>Chapter 1: Before you begin .....</b>	<b>4</b>
<b>Chapter 2: Precision Compact Wall Mount .....</b>	<b>5</b>
<b>Chapter 3: Precision Compact Desk Mount .....</b>	<b>11</b>
<b>Chapter 4: Precision Compact All-in-One Stand - CFS22.....</b>	<b>17</b>
<b>Chapter 5: Getting help.....</b>	<b>24</b>
Contacting Dell.....	24

# Before you begin

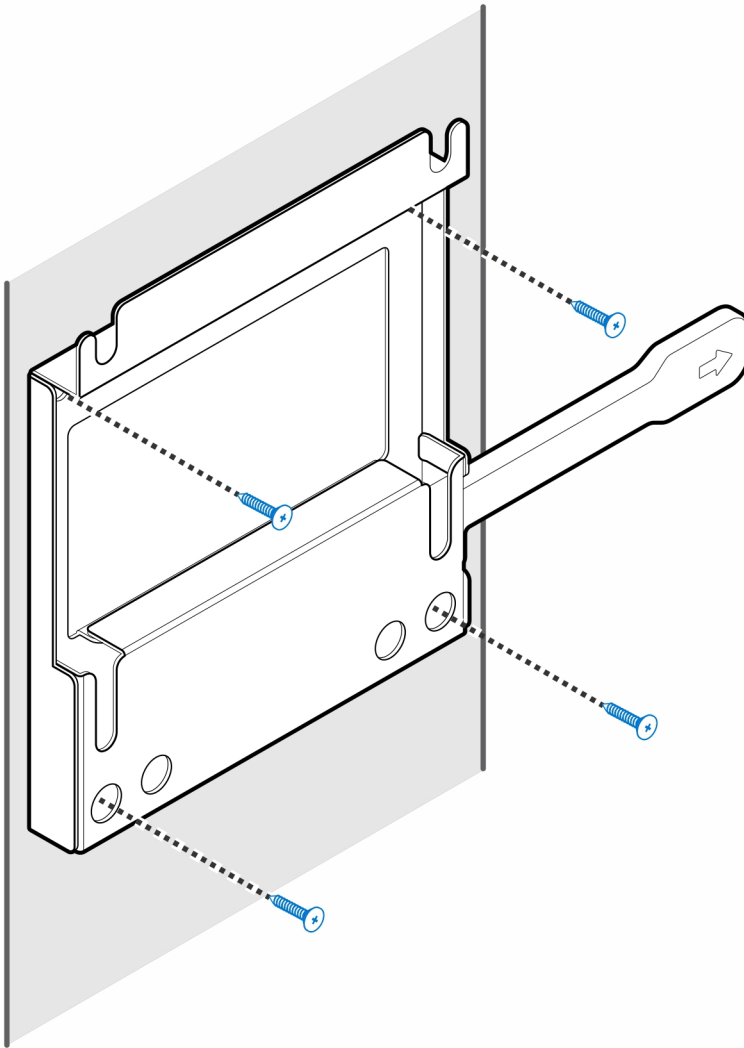
## Steps

1. Save and close all open files and exit all open applications.
2. Shut down your system: Click **Start** >  **Power** > **Shut down**.
  -  **NOTE:** If you are using a Linux operating system, see the documentation of your operating system for shut-down instructions.
3. Disconnect your system and all attached devices from their electrical outlets.
4. Disconnect all attached network devices and peripherals, such as keyboard, mouse, and monitor from your system.
  -  **CAUTION:** To disconnect a network cable, first unplug the cable from your system and then unplug the cable from the network device.
5. If the system unit or the adapter is being installed on the monitor:
  - a. Disconnect the power and all the display cables from the monitor.
  - b. Remove the stand from the monitor and place the monitor on a clean and soft surface.

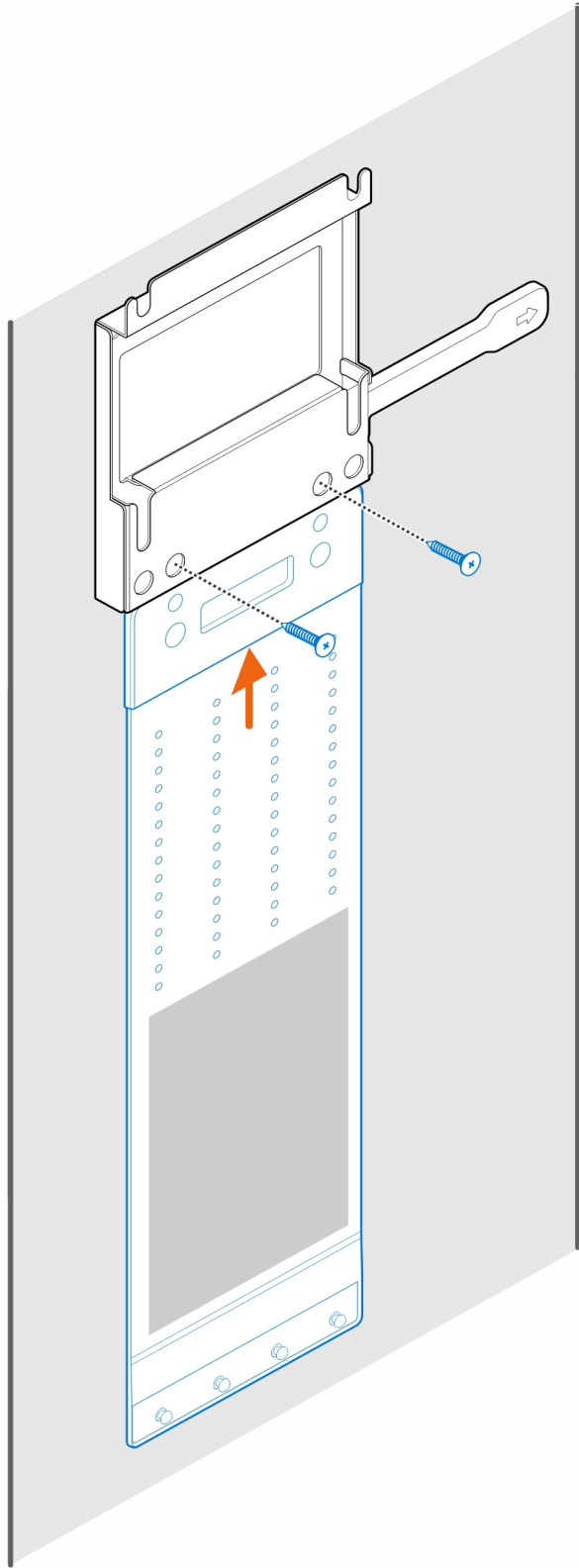
## Precision Compact Wall Mount

### Steps

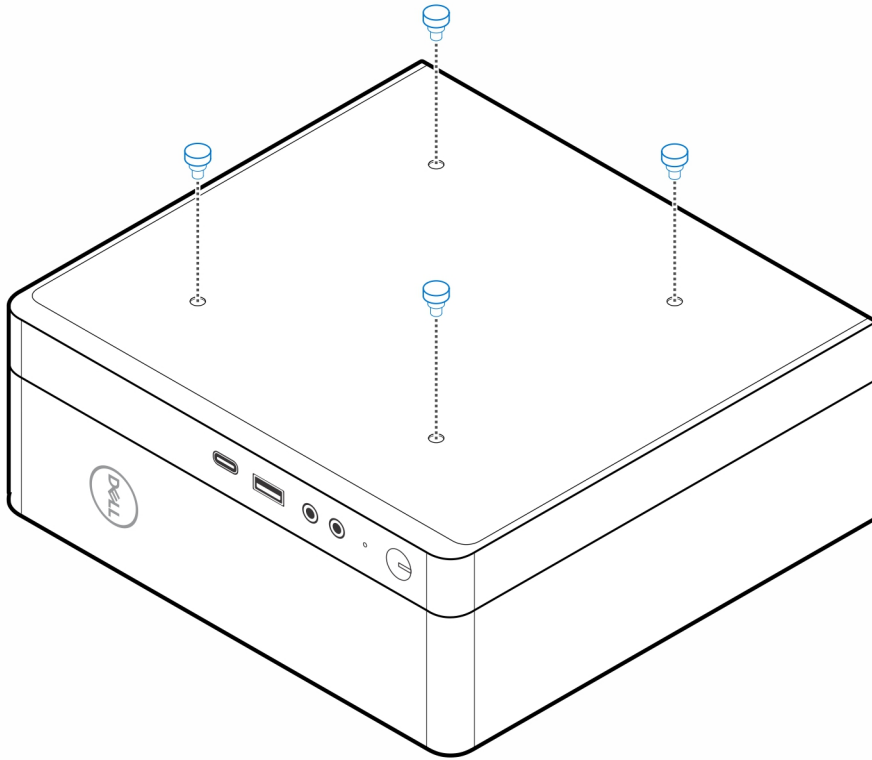
1. Follow the instructions in [Before working inside your computer](#).
2. Place the VESA mount on the wall.
3. Install the four self-tapping screws (M4x13) to secure the VESA mount to the wall.



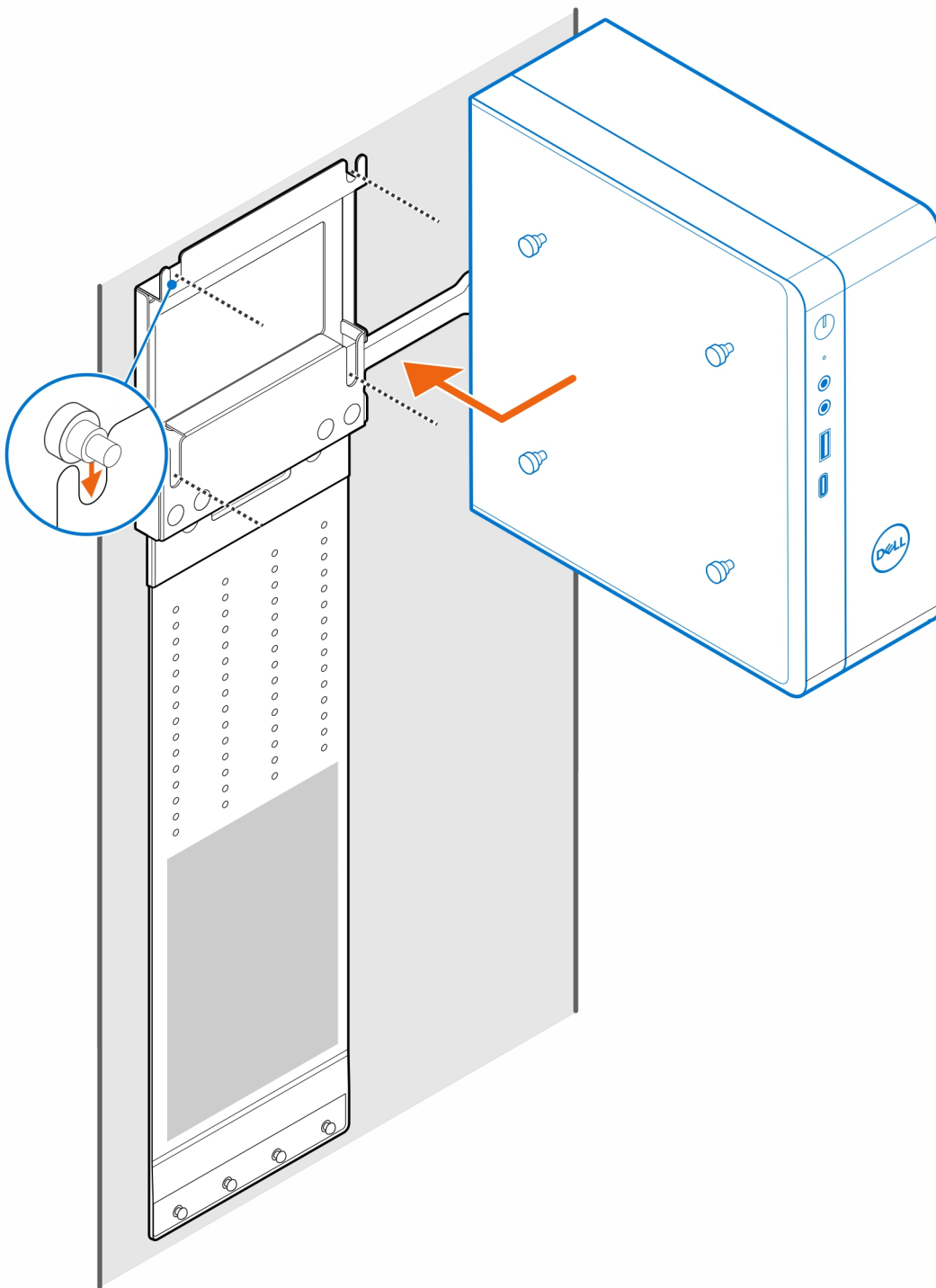
4. Install the two screws (M3x6) to secure the AC adapter sleeve to the VESA mount.



5. Install the four step screws (M4x4) on the chassis.

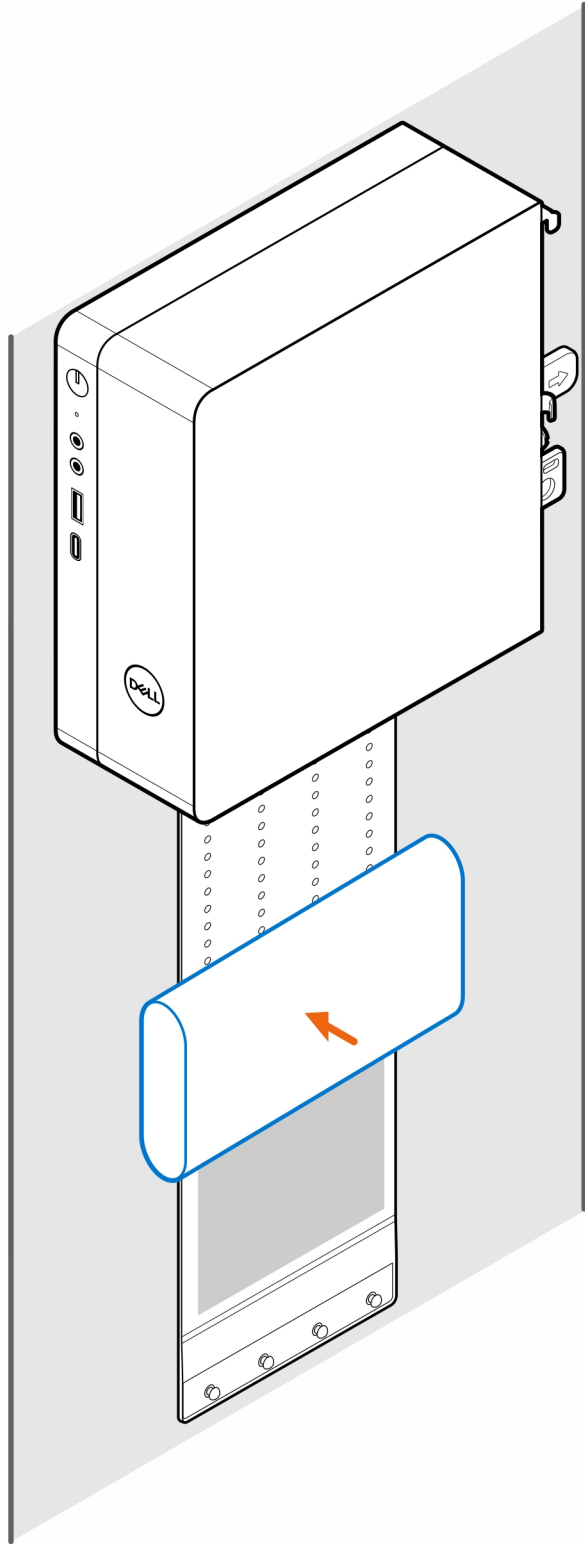


6. Align the step screw (M4x4) with the notches on the wall mount and mount the computer on the wall mount.

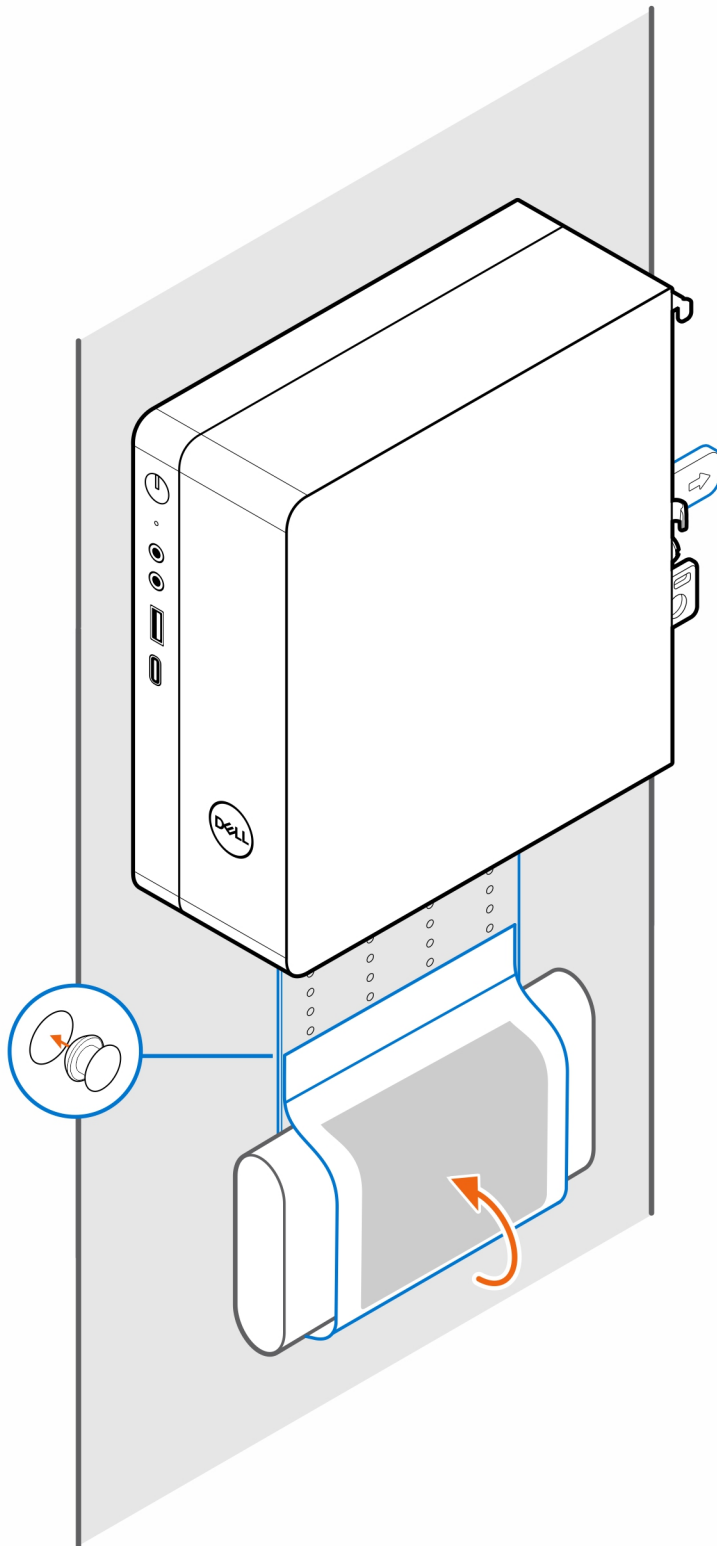


7. Place the AC adapter on the AC adapter sleeve.





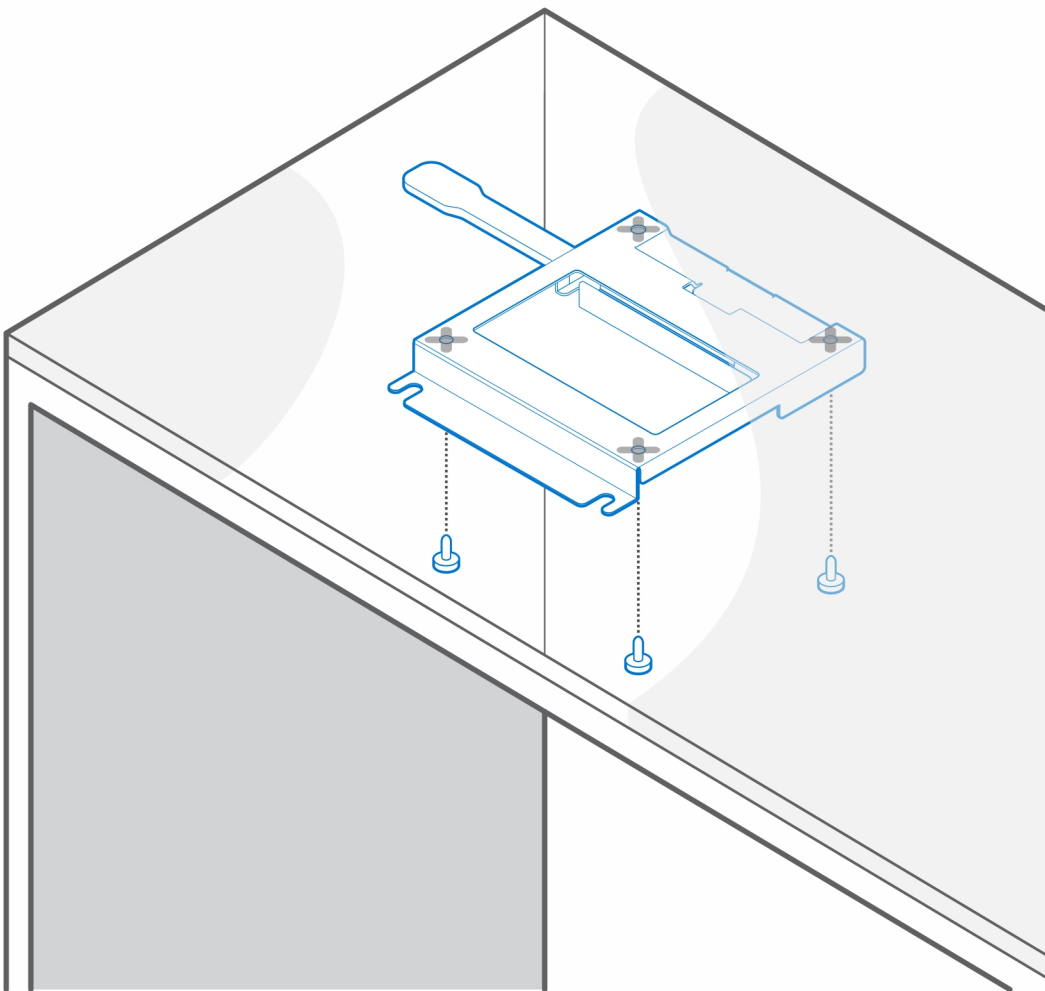
8. Wrap the sleeve around the AC adapter and insert the retaining tabs into the holes on the AC adapter sleeve at an appropriate level.



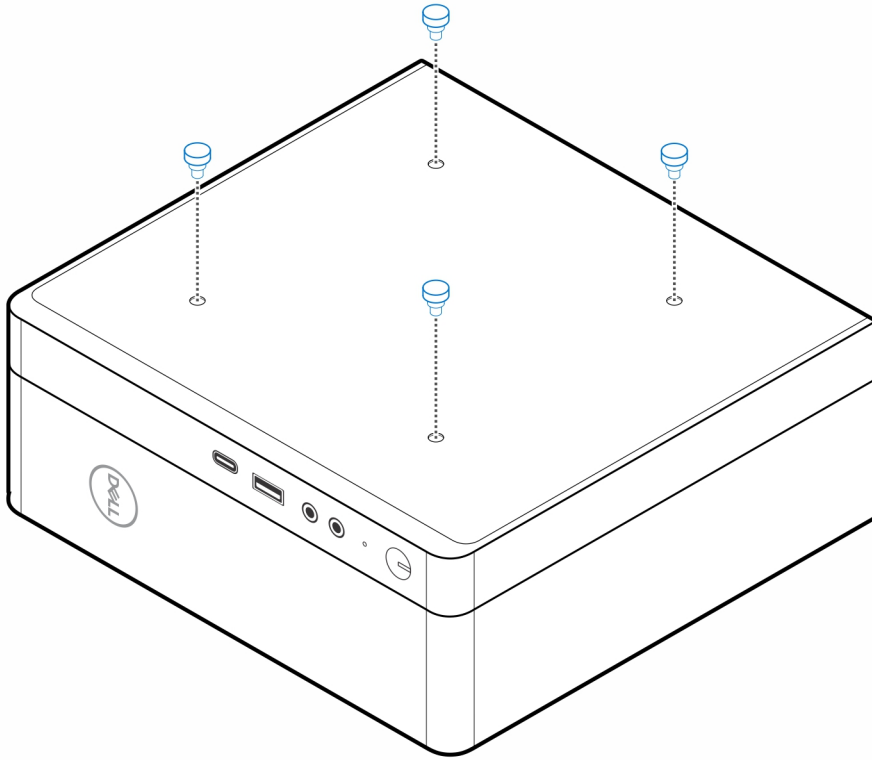
## Precision Compact Desk Mount

### Steps

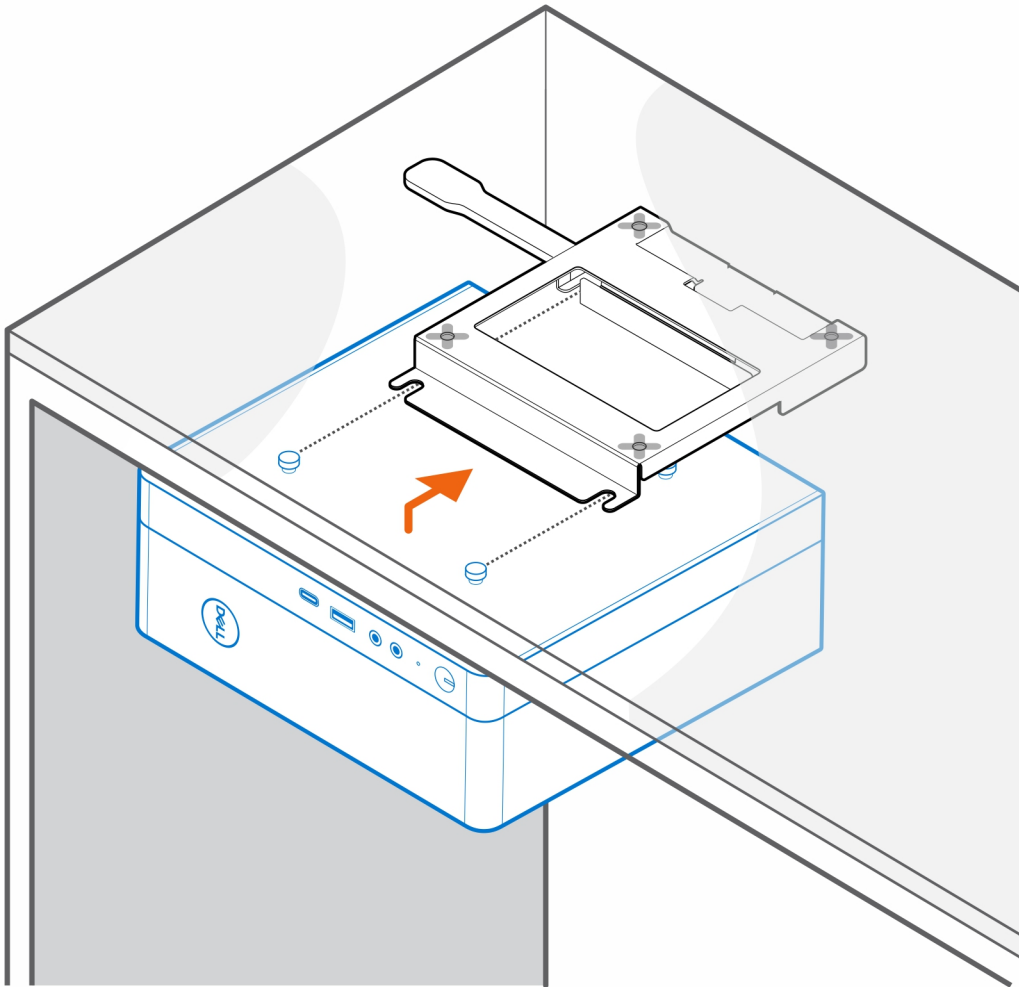
1. Follow the instructions in [Before working inside your computer](#).
2. Place the VESA mount under the desk.
3. Install the four self-tapping screws (M4x13) to secure the VESA mount under the desk.



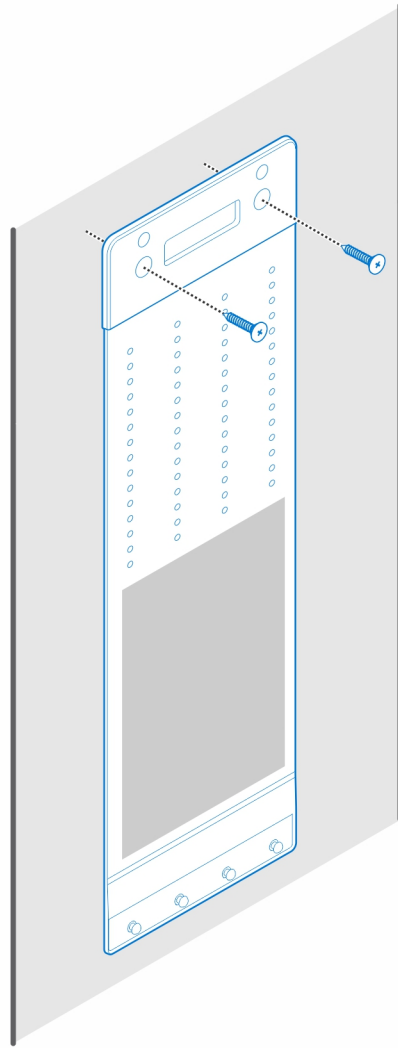
4. Install the four step screws (M4x4) on the chassis.



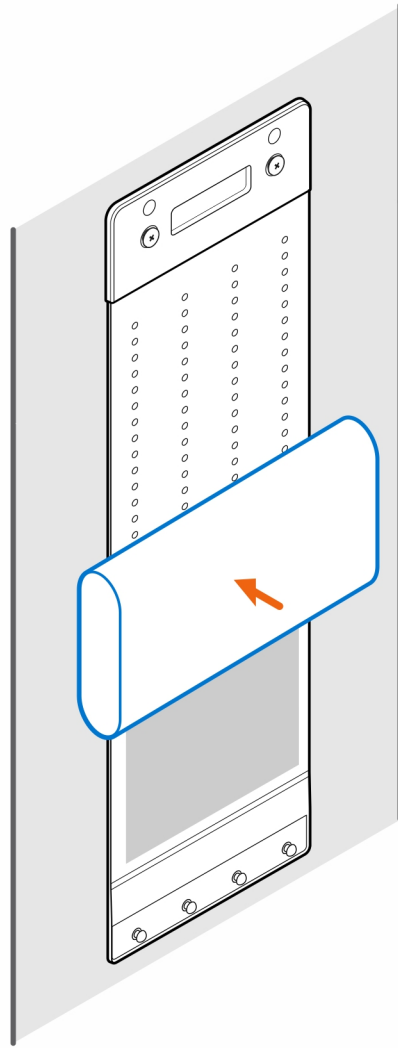
5. Align the step screws (M4x4) with the notches on the desk mount and mount the computer on the desk mount.



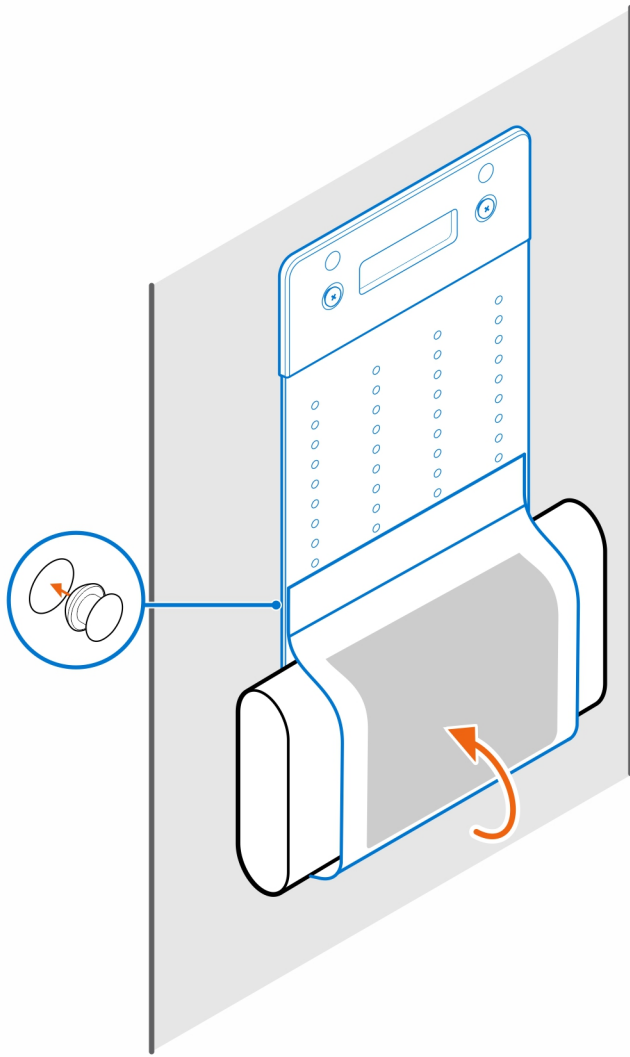
6. Install the two screws (M3x6) to secure the AC adapter sleeve under the desk.



7. Place the AC adapter on the AC adapter sleeve.



8. Wrap the sleeve around the AC adapter and insert the retaining tabs into the holes on the AC adapter sleeve at an appropriate level.






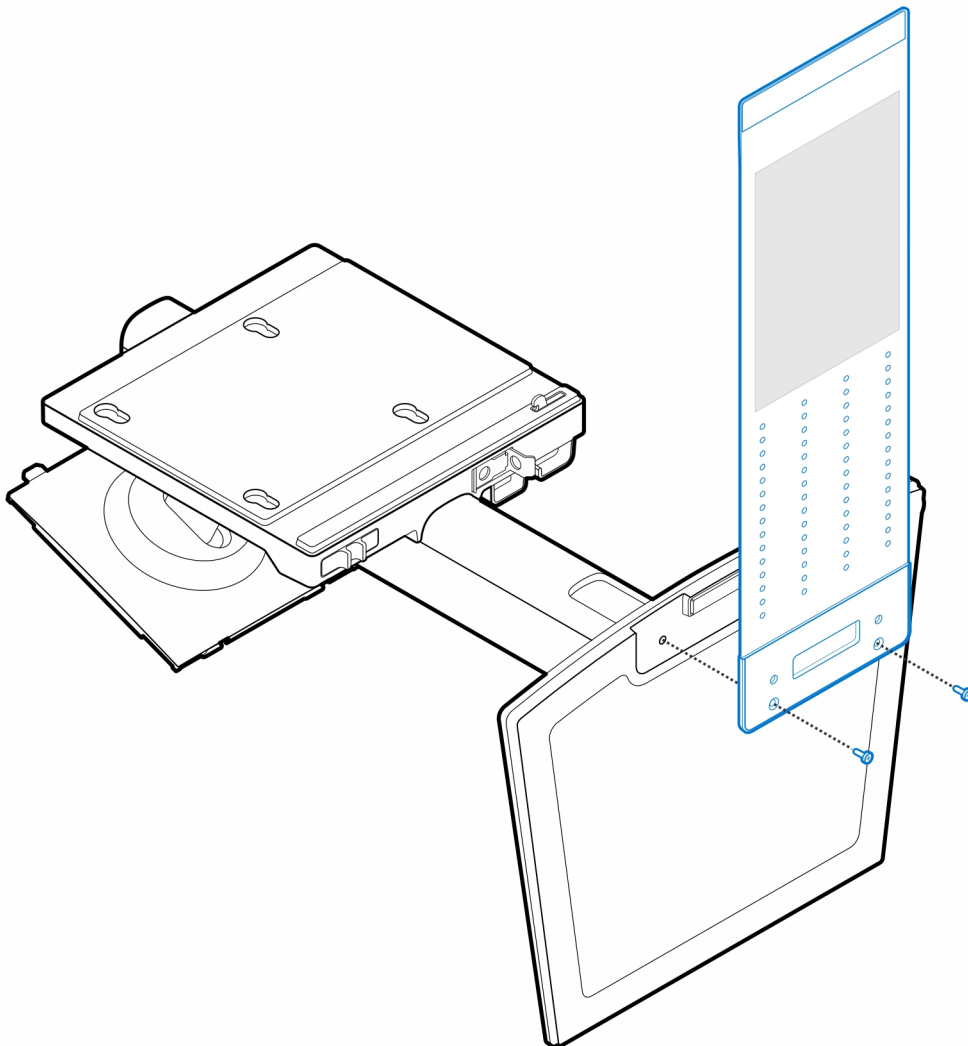
# Precision Compact All-in-One Stand - CFS22

## About this task

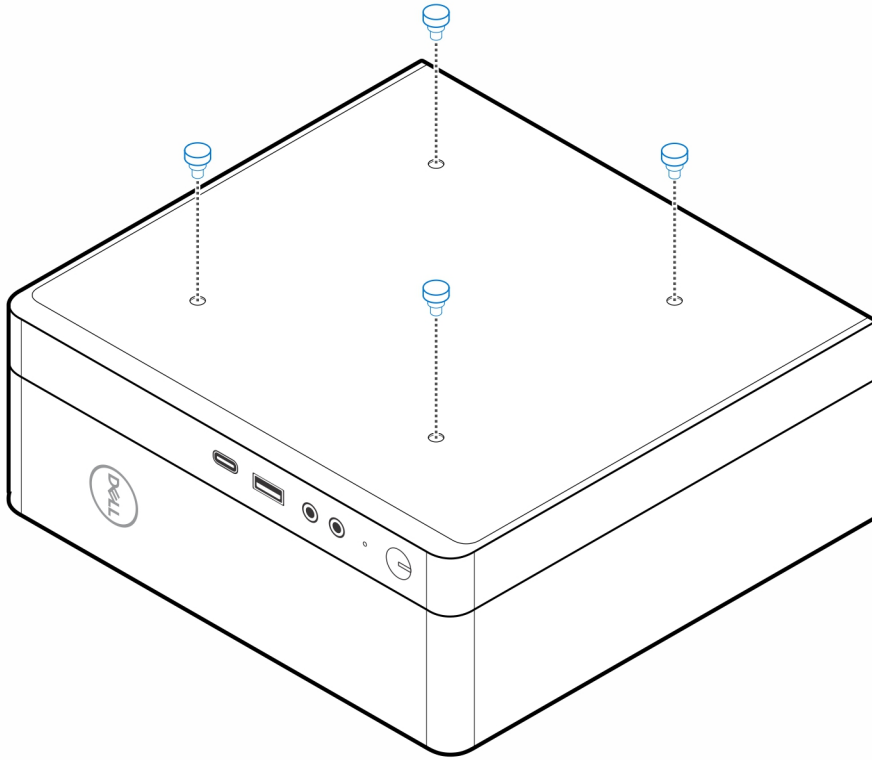
### Steps

1. Install the two screws (M3x6) to secure the AC adapter sleeve (upsell) to the all-in-one stand.

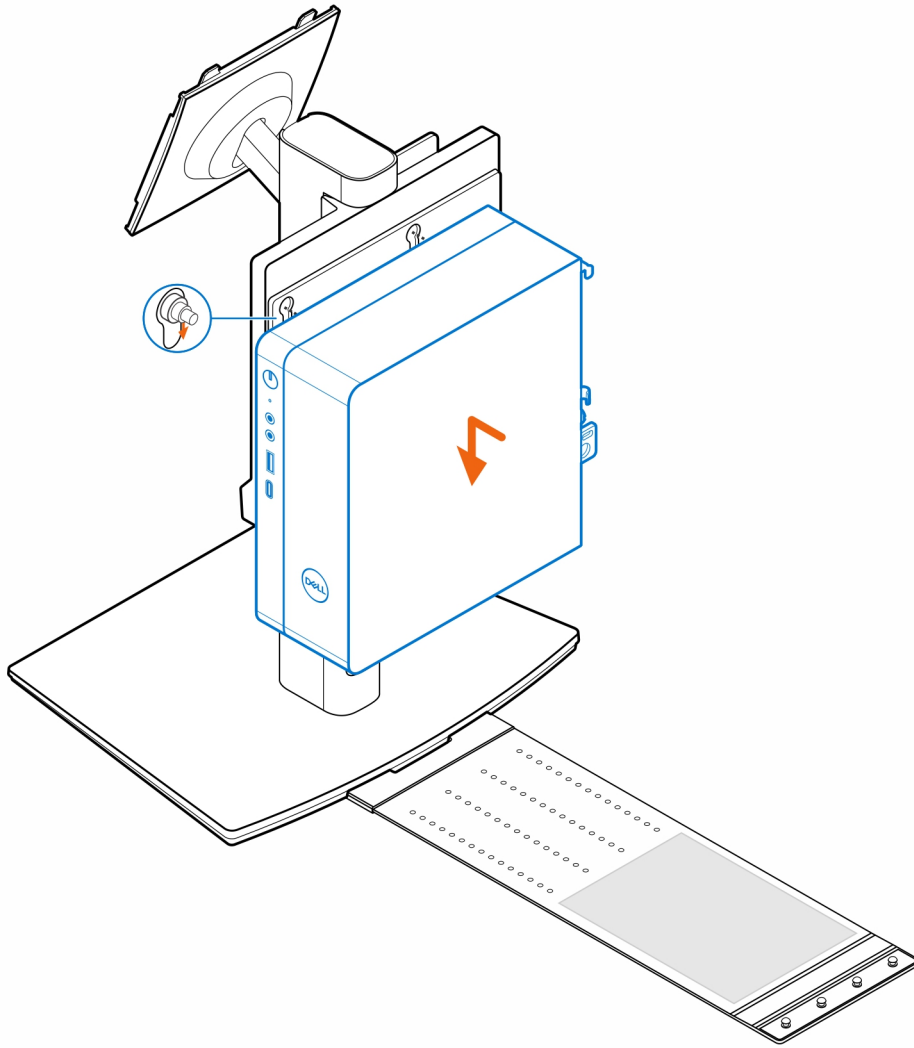
 **NOTE:** The AC adapter sleeve is an optional component that needs to be purchased separately.



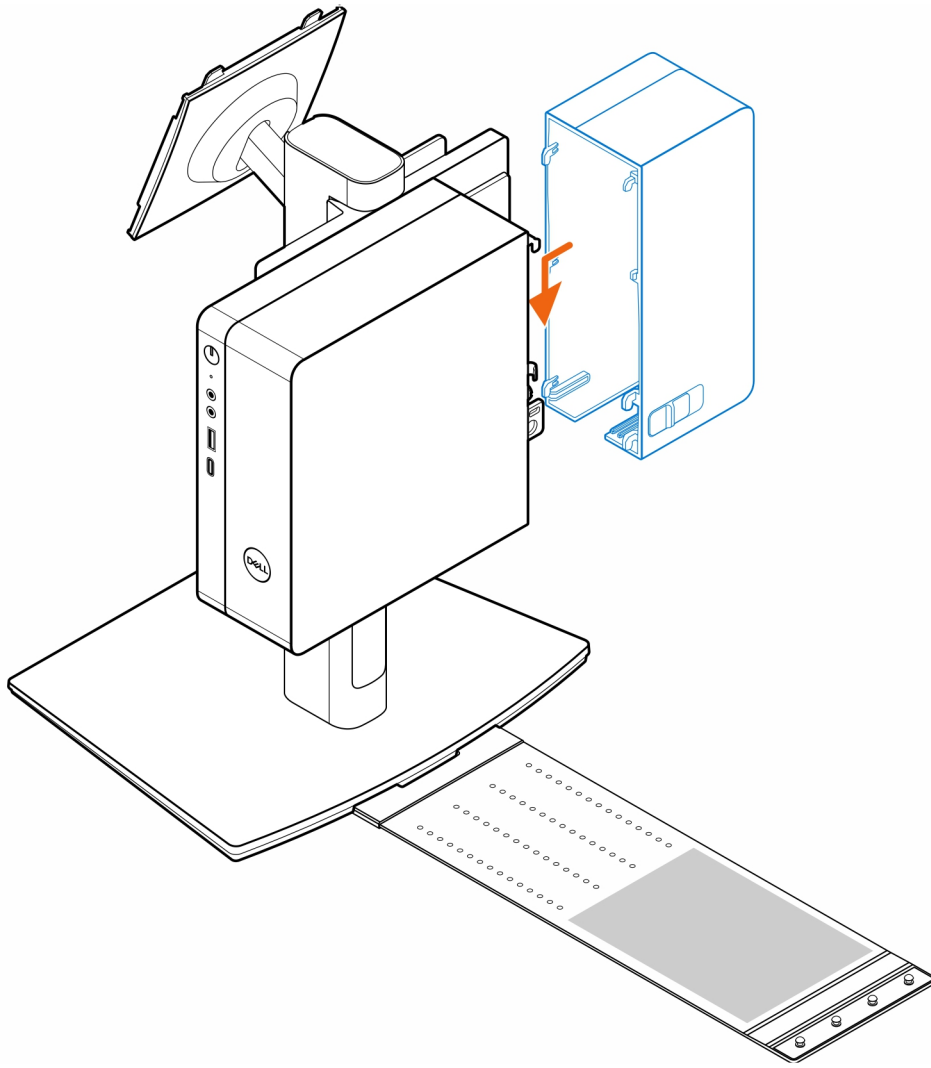
2. Install the four step (M4x4) screws on the chassis.



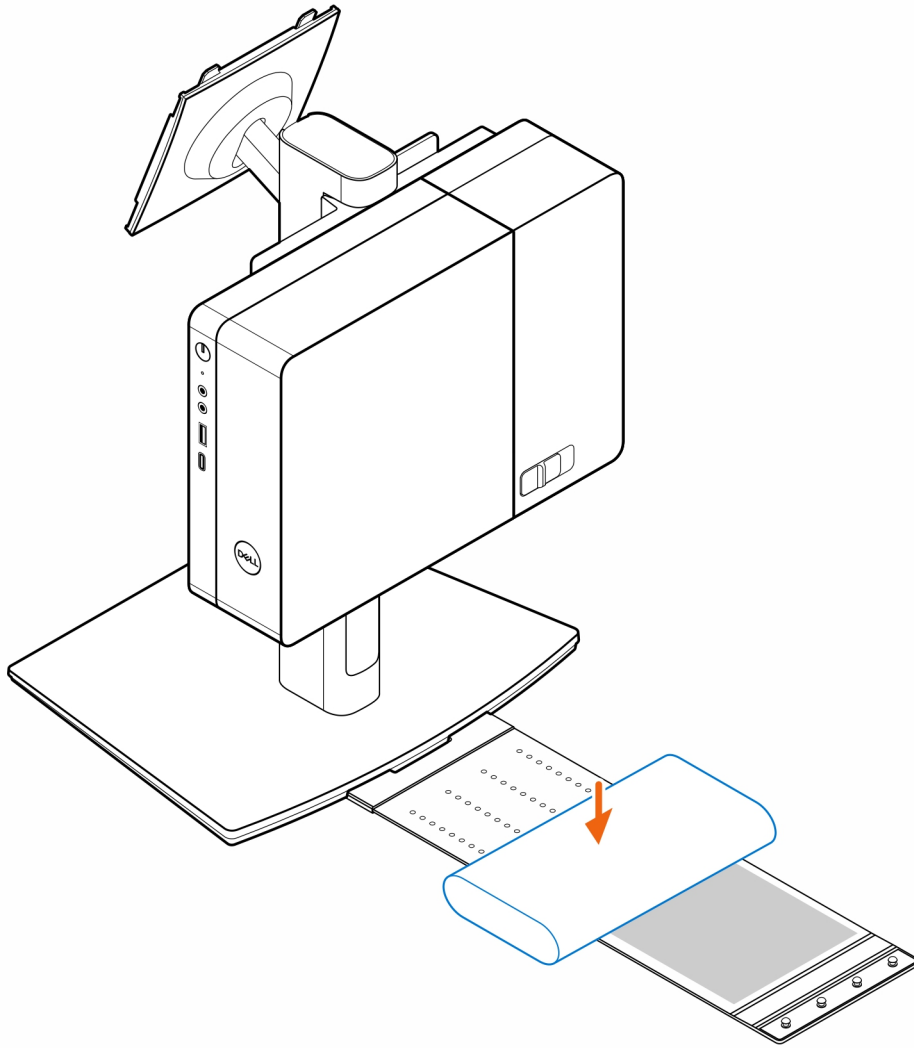
3. Align the step screws (M4x4) with the notches on the all-in-one stand and mount the computer on the all-in-one stand.



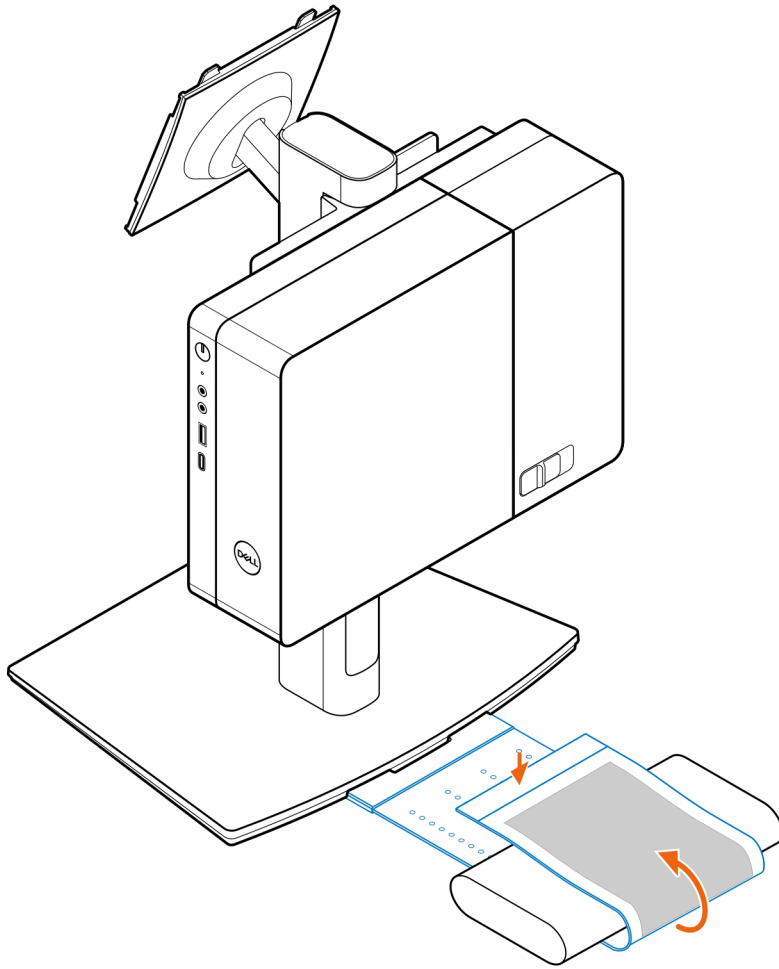
4. Align the tabs on the cable cover with the slots on the computer and slide the cable cover to lock it in place.



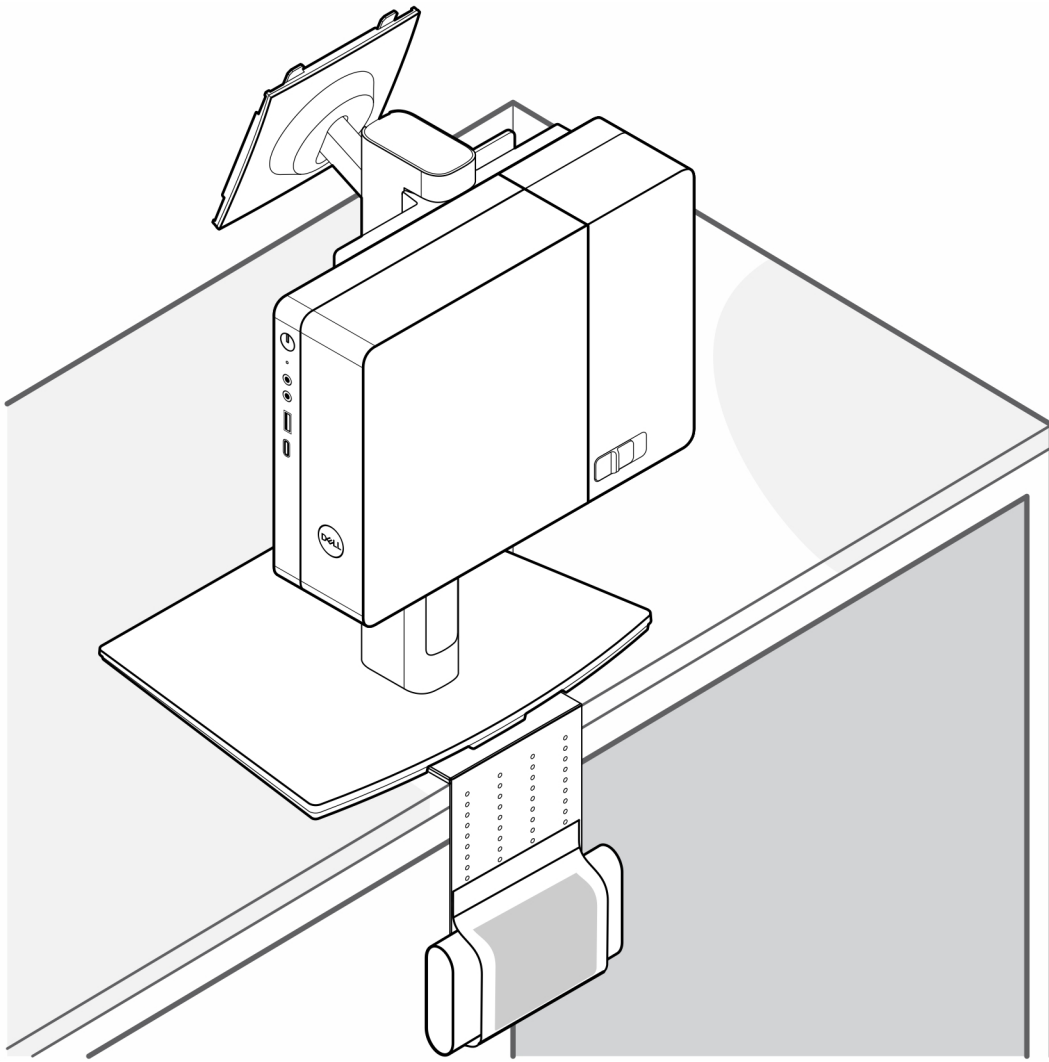
5. Place the AC adapter on the AC adapter sleeve .



6. Wrap the sleeve around the AC adapter and insert the retaining tabs into the holes on the AC adapter sleeve at an appropriate level.



7. Place the AC adapter sleeve behind the desk.




# Getting help

## Topics:

- [Contacting Dell](#)

## Contacting Dell

### Prerequisites

 **NOTE:** If you do not have an active Internet connection, you can find contact information on your purchase invoice, packing slip, bill, or Dell product catalog.

### About this task

Dell provides several online and telephone-based support and service options. Availability varies by country and product, and some services may not be available in your area. To contact Dell for sales, technical support, or customer service issues:

### Steps

1. Go to **Dell.com/support**.
2. Select your support category.
3. Verify your country or region in the **Choose a Country/Region** drop-down list at the bottom of the page.
4. Select the appropriate service or support link based on your need.