

select

## RACKMOUNT PDU WITH RACKLINK™

Value oriented, intelligent outlet offering that is as versatile as your system and universally controlled.

### FEATURES

- **10A**
- **4 and 9 (8 Controlled) Outlets**
- **Connect to the FREE RackLink Cloud!** Monitor and manage all deployed RackLink-enabled Select PDUs around the globe from a single, customizable dashboard.
- **Industry-leading network security and support of IT protocols for demanding end users**
  - SSH
  - HTTPS
  - Self-signed certificates
- **RackLink is international.** CE Rated with IEC outlets. Get the RackLink you know and trust for your international deployments.
- **Oh Snap! It's Compact!** The compact design of the four outlet PDU is perfect for "behind-the-display" applications, especially digital signage.
- **The control you need to maintain the uptime of your equipment.** After you go through the easy set-up of the RackLink™ user interface, you'll have individual IP outlet control for up to 8 outlets on the full rackmount model.
- **Manage the start-up or shut down of your equipment.** RackLink™ enables remote sequencing with user selectable delays for an optimal start-up or shut down progression.
- **Fast and easy commissioning.** Using the RackLink™ Discovery app on iPhone or Android, quickly connect your RackLink™ enabled PDUs and monitor your system, anywhere, anytime.
- **Automate it and forget about it.** Improve your system reliability by automating actions such as multiple IP AutoPing and recovery.
- **Always be informed.** Receive automatic notifications of connection status.
- **Do you prefer to use a third party software?** Seamlessly interfaces with 3rd party AV control systems and cloud platforms for scheduling, control, reporting and even customization.



RLNK-410R-IEC-NS



RLNK-910R-IEC-NS

**select**

## RACKMOUNT PDU WITH RACKLINK™

---

### SPECIFICATIONS

Select Series Rackmount PDUs with RackLink power management products shall be Middle Atlantic Products model # RLNK-\_R-IEC-NS (refer to chart). Select Series Rackmount PDUs with RackLink power products shall be 1.75"H x \_\_\_"W x 9.67"D (refer to drawing). Select Series Rackmount PDUs with RackLink shall have a \_\_\_ amp power capacity (refer to chart). Select Series Rackmount PDUs with RackLink shall provide MOV surge and spike protection. Select Series Rackmount PDUs with RackLink shall provide \_\_\_ total outlets, \_\_\_ of which shall be individually controllable (refer to chart). Select Series Rackmount PDUs with RackLink shall provide sequencing. Select Series Rackmount PDUs with RackLink shall include a 9' power cord. Select Series Rackmount PDUs with RackLink shall monitor specific remote IP devices and services and shall automatically reboot an unresponsive network device and provide alerts via e-mail. Select Series Rackmount PDUs with RackLink shall allow local export of log files in CSV format, and shall allow log files to be extracted to 3rd party databases via IP. Select Series Rackmount PDUs with RackLink shall include an integrated web server for browser-based access and control. Select Series Rackmount PDUs with RackLink shall utilize an open-architecture serial communications protocol that is cloud compliant without being cloud dependent, and provide an API for seamless integration into any IP based architecture. Select Series Rackmount PDUs with RackLink shall support HTTPS, SSH and Self-Signed Certificates. Select Series Rackmount PDUs with RackLink shall be fully compliant with any control system or aggregator. Select Series Rackmount PDUs with RackLink shall be constructed of phosphate pre-treated steel with a black powdercoat finish. Select Series Rackmount PDUs with RackLink shall be manufactured by an ISO 9001 and ISO 14001 registered company. Select Series Rackmount PDUs with RackLink shall be warranted to be free from defects in materials and workmanship under normal use and conditions for a period of 3 years. Select Series Rackmount PDUs with RackLink shall be listed to CE and UKCA and cETLus Listed to UL 62368-1 and CSA C22.2 No. 62368-1 and FCC Part 15, Class B.



**select**

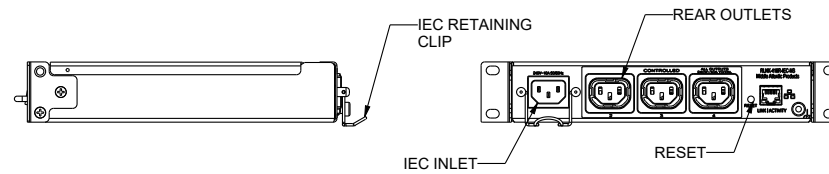
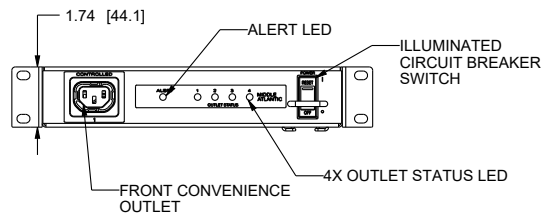
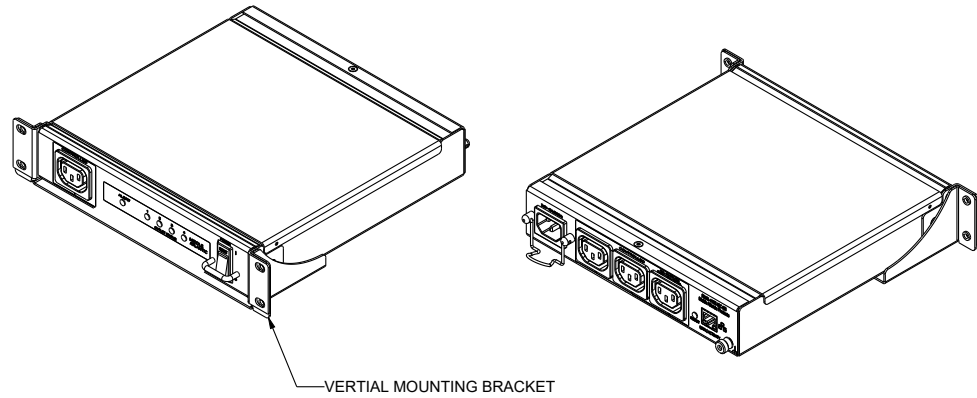
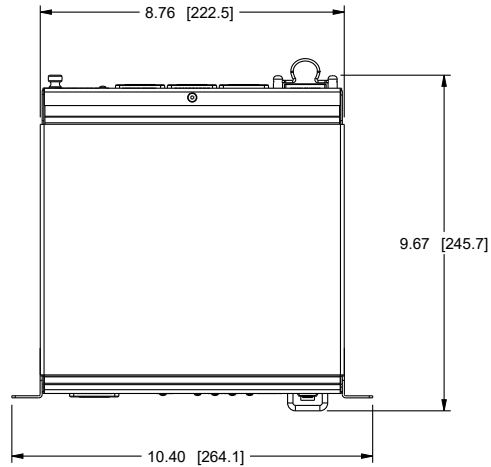
## RACKMOUNT PDU WITH RACKLINK™

### ELECTRICAL SPECIFICATIONS

		RLNK-410R-IEC-NS	RLNK-910R-IEC-NS
	Form Factor	Half Rackmount	Rackmount
SUMMARY	Max Load	10A	
	Rated Load	10A	
	Surge Protection	No	
	Sequencing	Yes	
	# of Outlets	4 total / 4 controlled	9 total / 8 controlled
	Integrated Web Server	Yes	
AC POWER	Connection Type	9ft. IEC C14 to C13 IEC	
	Line Voltage	100 - 240VAC	
	Maximum Peak Load	10A	
	Maximum Continuous Load	10A	
	No Load Power Dissipation	Less Than 1W Note: Ethernet disconnected, all relays off	
REGULATORY APPROVALS	Safety	CE and UKCA and cETLus Listed to UL 62368-1 and CSA C22.2 No. 62368-1	
	EMI/RF	FCC Part 15, Class B	
EVENT DRIVEN/ RESPONSES	AutoPing No Response/ Recovery	Email and/or Control Outlet	
GENERAL	Operating Temperature Range	32 - 104°F (0 - 40°C)	
	Humidity Range	0 - 95%, non-condensing	
	Communication	TCP/IP, HTTPS (Integrated web server)	
	Warranty	3 Years Limited Warranty	

# RACKMOUNT PDUS WITH RACKLINK™

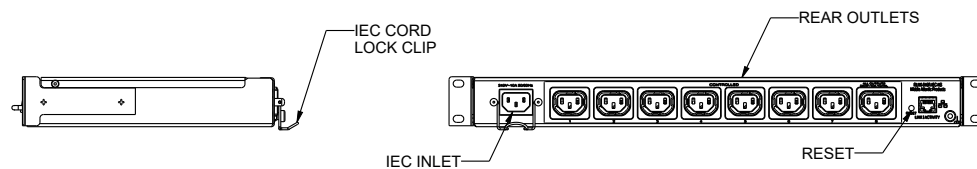
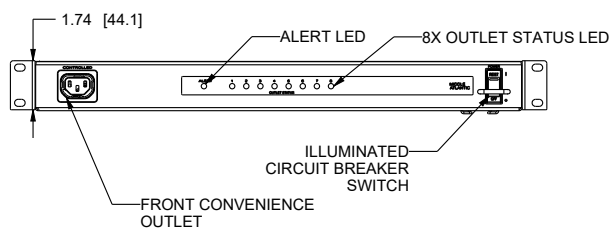
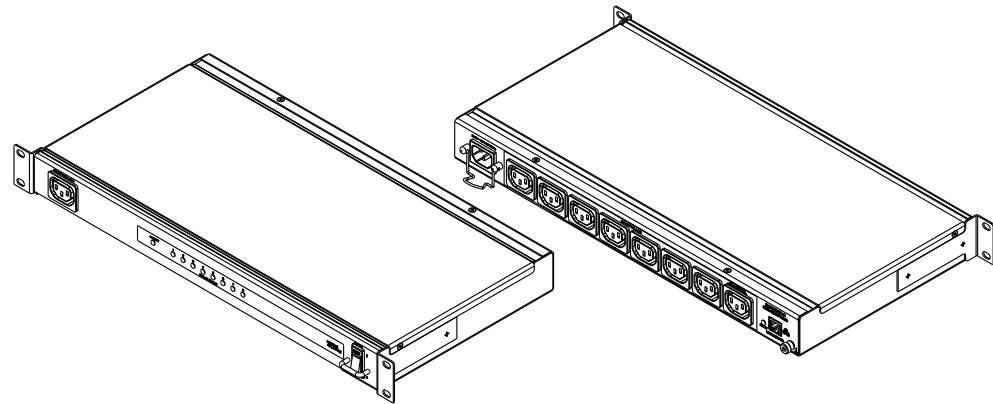
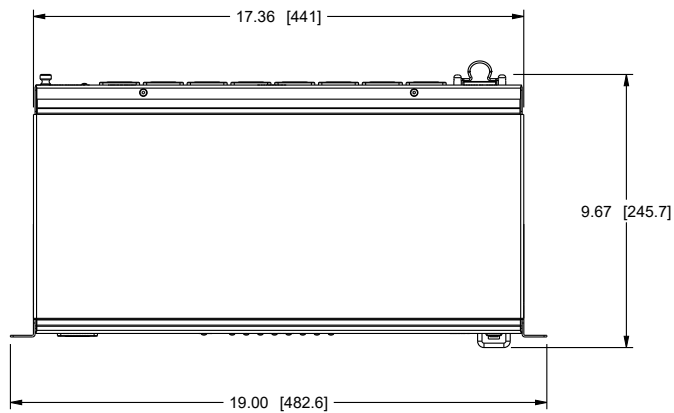
## BASIC DIMENSIONS



NOTE:  
1. DIMENSIONS ARE IN THE FORMAT IN[MM]

# RACKMOUNT PDUS WITH RACKLINK™

## BASIC DIMENSIONS



NOTES:  
1. DIMENSIONS ARE IN FORMAT IN[MM]

LEGRAND | AV COMMERCIAL BRANDS  
C2G | Chief | Da-Lite | Luxul | Middle Atlantic | Vaddio | Wiremold

WHAT GREAT SYSTEMS ARE BUILT ON™ | [legrandav.com](http://legrandav.com)

USA 800.266.7225 [av.middleatlantic.support@legrand.com](mailto:av.middleatlantic.support@legrand.com) CANADA 888.766.9770 [av.middleatlantic.support@legrand.com](mailto:av.middleatlantic.support@legrand.com)

©2025 Legrand AV Inc. 230536 120-00044 Rev A 1 5/25 Middle Atlantic is a registered trademark of Legrand AV Inc. All other brand names or marks are used for identification purposes and are trademarks of their respective owners. All patents are protected under existing designations. Other patents pending.