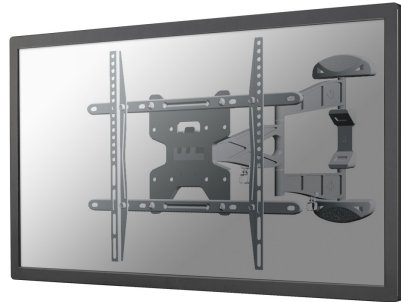


LED-W500SILVER

NEOMOUNTS BY NEWSTAR TV WALL MOUNT

Neomounts by Newstar TV/Monitor Wall Mount (Full Motion) for 32"-60" Screen - Silver



SPECIFICATIONS

Color	Silver
Distance to wall	4,7 - 49 cm
Height adjustment	None
Max. screen size	60
Max. weight	30
Min. screen size	32
Min. weight	0
Rotate (degrees)	6°
Screens	1
Swivel (degrees)	180°
Tilt (degrees)	10°
Type	Full motion Tilt Rotate Swivel
VESA maximum	600x400 mm
VESA minimum	100x100 mm
VESA pattern	100x100 100x200 200x100 200x200 200x300 200x400 300x100 300x200 300x300 400x400 400x300 400x500 400x600 440x400 500x400 600x200 600x300 600x400
Warranty	5 year
EAN code	8717371443849

The Neomounts by Newstar wall mount, model LED-W500SILVER is a full swing tilt- and swivel wall mount for flat screens up to 60" (152 cm). This mount is a great choice when you want the ultimate viewing flexibility with your flat screen TV. Effortless pull the display out from the wall, position it in almost any direction, turn it around corners and then smoothly return it to the wall when finished.

Neomounts by Newstars? tilt (10°), rotation (6°) and swivel (180°) technology allows the mount to change to any viewing angle to fully benefit from the capabilities of the flat screen. The mount is easily depth adjustable from 4 to 50 centimetres. An innovative cable management conceals and routes cables from mount to flat screen. Hide your cables to keep living room, bedroom or home cinema installation nice and tidy.

Neomounts by Newstar LED-W500SILVER has three pivot points and is suitable for screens up to 60" (152 cm). The weight capacity of this product is 30 kg each screen. The wall mount is suitable for screens that meet VESA hole pattern 100x100 to 600x400mm. Different hole patterns can be covered using Neomounts by Newstar VESA adapter plates.

Create a clean design ambiance for your flat screen TV in the living room, bedroom or home cinema.

All installation material is included with the product.

LED-W500SILVER

NEOMOUNTS BY NEWSTAR TV WALL MOUNT

