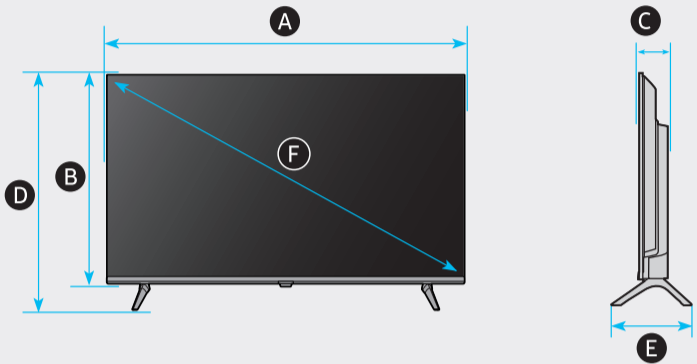
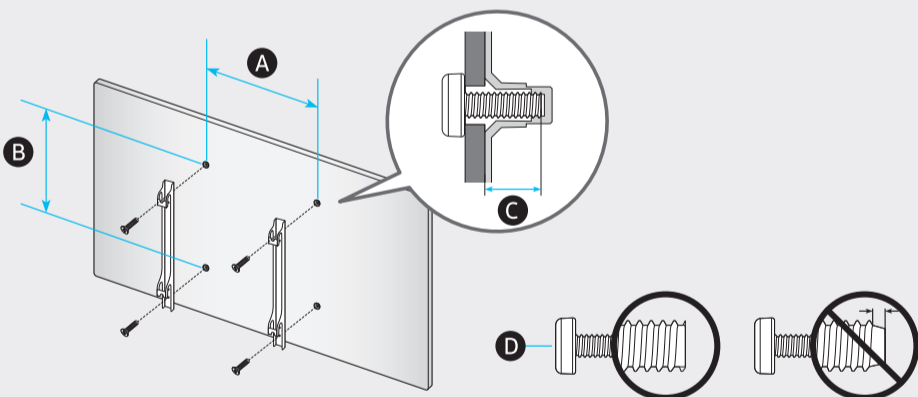
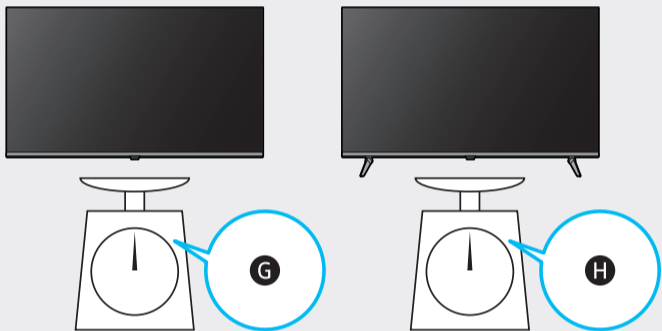


5



	A	B	C	D	E	F	G	H
43AU6*** 43AU7***	37.7 inches (958.4 mm) (95.84 cm)	22.4 inches (568.2 mm) (56.82 cm)	3.2 inches (80.2 mm) (8.02 cm)	24.8 inches (630.9 mm) (63.09 cm)	8.6 inches (217.5 mm) (21.75 cm)	42.5 inches (108 cm)	16.1 lbs (7.3 kg)	16.3 lbs (7.4 kg)
50AU6*** 50AU7***	43.8 inches (1112.2 mm) (111.22 cm)	25.8 inches (656.3 mm) (65.63 cm)	3.2 inches (80.1 mm) (8.01 cm)	28.5 inches (723.8 mm) (72.38 cm)	9.9 inches (251.7 mm) (25.17 cm)	49.5 inches (125 cm)	22.7 lbs (10.3 kg)	22.9 lbs (10.4 kg)
55AU6*** 55AU7***	48.3 inches (1227.6 mm) (122.76 cm)	28.4 inches (721.1 mm) (72.11 cm)	3.2 inches (80.1 mm) (8.01 cm)	31.1 inches (788.7 mm) (78.87 cm)	9.9 inches (251.7 mm) (25.17 cm)	54.6 inches (138 cm)	27.3 lbs (12.4 kg)	27.6 lbs (12.5 kg)
65AU6*** 65AU7***	57 inches (1447.5 mm) (144.75 cm)	33.3 inches (846.2 mm) (84.62 cm)	3.2 inches (81.1 mm) (8.11 cm)	36.1 inches (915.8 mm) (91.58 cm)	12.1 inches (308.5 mm) (30.85 cm)	64.5 inches (163 cm)	42.8 lbs (19.4 kg)	43.2 lbs (19.6 kg)

*: 0-9, A-Z

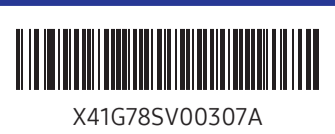


	VESA A x B (mm)	C (mm)	D x 4
43AU6*** 43AU7***	200 x 200	7-26	M8
50AU6*** 50AU7***			
55AU6*** 55AU7***	400 x 300	7-26	M8
65AU6*** 65AU7***			

*: 0-9, A-Z

SAMSUNG

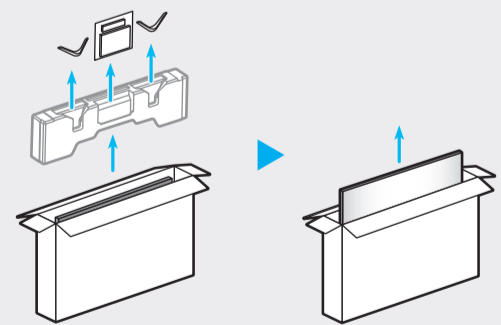
QUICK SETUP GUIDE
GUIDE D'INSTALLATION RAPIDE
GUÍA RÁPIDA DE CONFIGURACIÓN
GUIA RÁPIDO DE INSTALAÇÃO
KURZANLEITUNG ZUR KONFIGURATION
GUIDA DI INSTALLAZIONE RAPIDA



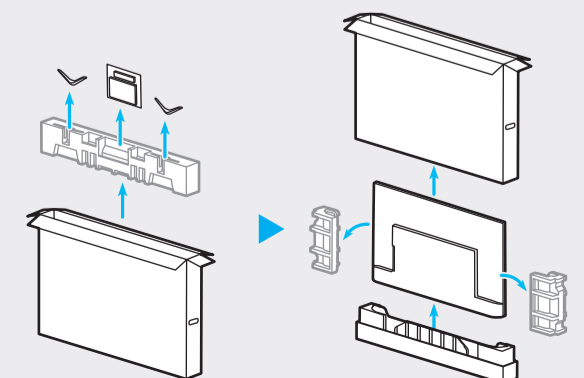
X41G78SV00307A



43"
-
55"

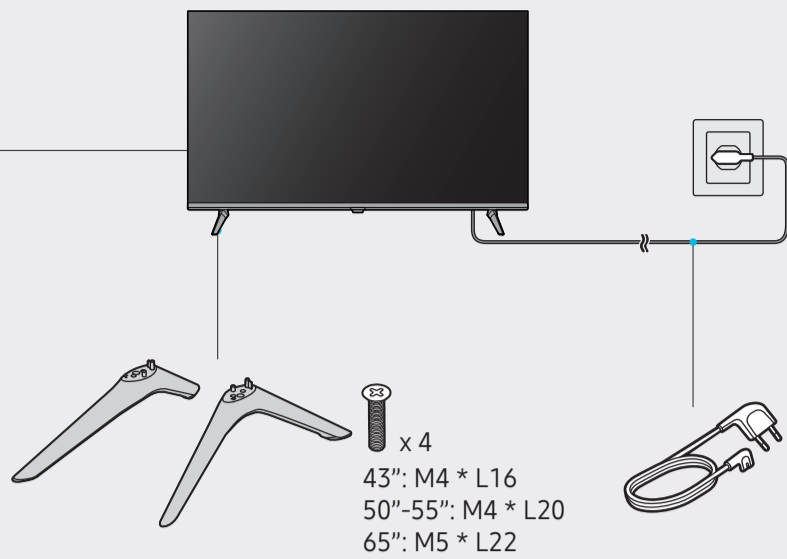


65"

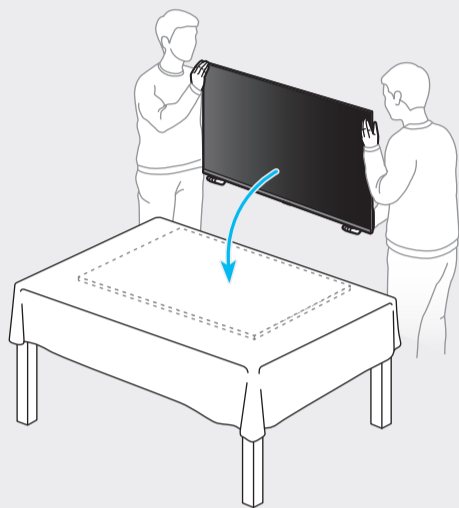




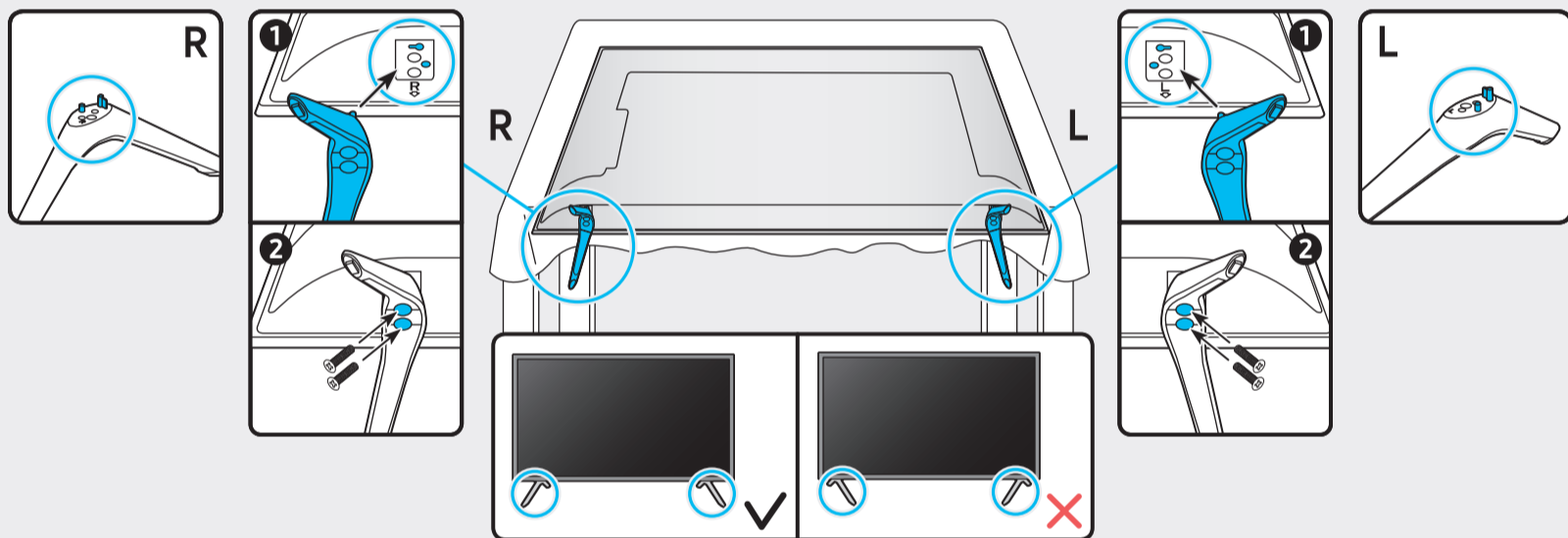
		USB
		OPTICAL
		HDMI (eARC)
		HDMI
		LAN
		ANT



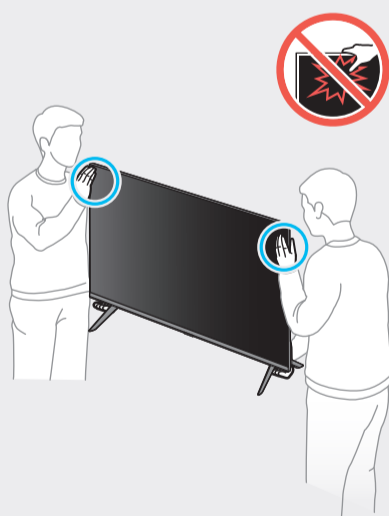
1



2



3



4

