



Intelligent Entrance ANPR Camera

Quick Start Guide

Symbol Conventions

The symbols that may be found in this document are defined as follows.




Symbol	Description
 Note	Provides additional information to emphasize or supplement important points of the main text.
 Caution	Indicates a potentially hazardous situation, which if not avoided, could result in equipment damage, data loss, performance degradation, or unexpected results.
 Danger	Indicates a hazard with a high level of risk, which if not avoided, will result in death or serious injury.

TABLE OF CONTENTS

Chapter 1 Panel Interface	1
Chapter 2 Device Installation.....	2
2.1 Install TF Card	2
2.2 Install Device	2
2.3 Power on	4
Chapter 3 Device Configuration.....	5

Chapter 1 Panel Interface

The panel interfaces of Intelligent Entrance ANPR Camera are shown as below.

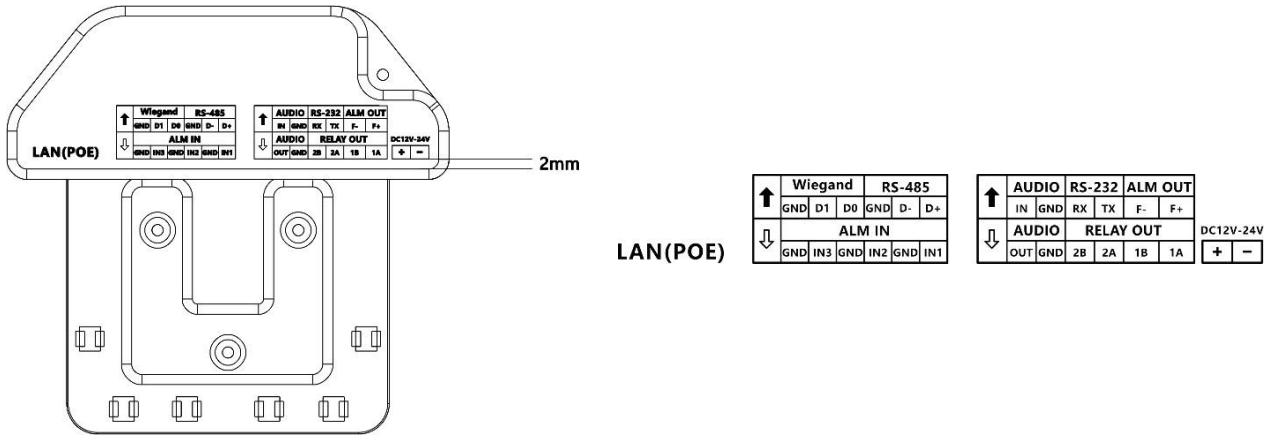


Figure 1-1 Panel Interface

Table 1-1 Interface Description

Name	Description
Wiegand	Wiegand interface
RS-485	RS-485 communication interface
ALM-IN	Alarm input
ALM OUT	Alarm output
AUDIO IN	Audio input
AUDIO OUT	Audio output
RELAY OUT	Relay output

Chapter 2 Device Installation

Please check if there is any damage of the package first. According to the packing list, make sure no item is lost. After checking all the items included, you can continue to install the device.

2.1 Install TF Card

The installation method of TF card is shown below.

Step 1 Loosen the screws at the bottom of the camera, and remove the TF card cover.

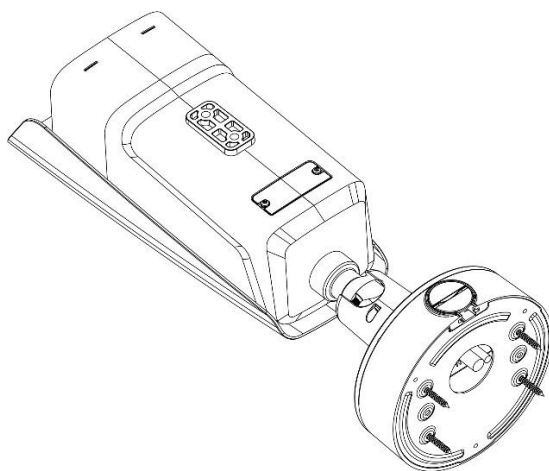


Figure 2-1 Remove TF Card Cover

Step 2 Insert the TF card, install the cover, and tighten the screws.

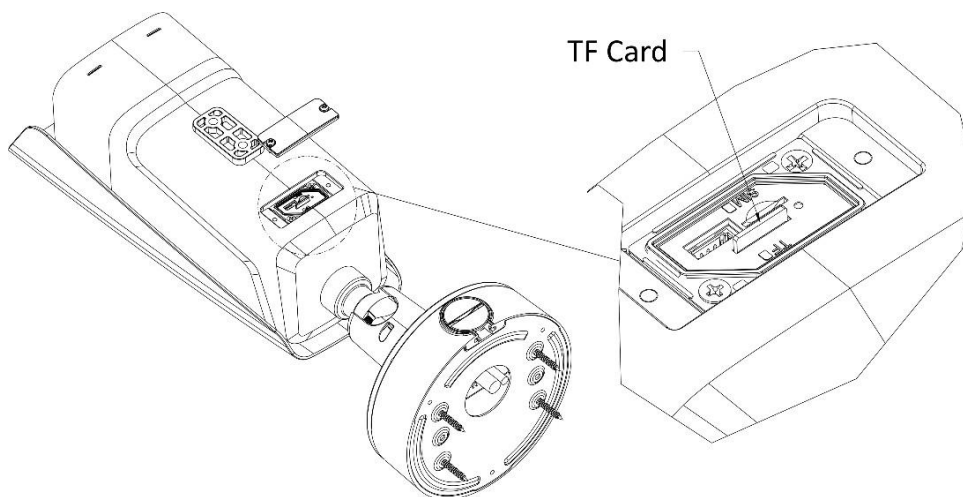


Figure 2-2 Install TF Card

2.2 Install Device

Before you start:

Cut off the power supply of the device.

Step 1 Drill holes on the wall according to the installation template, and fix it on the wall with expansion screws.

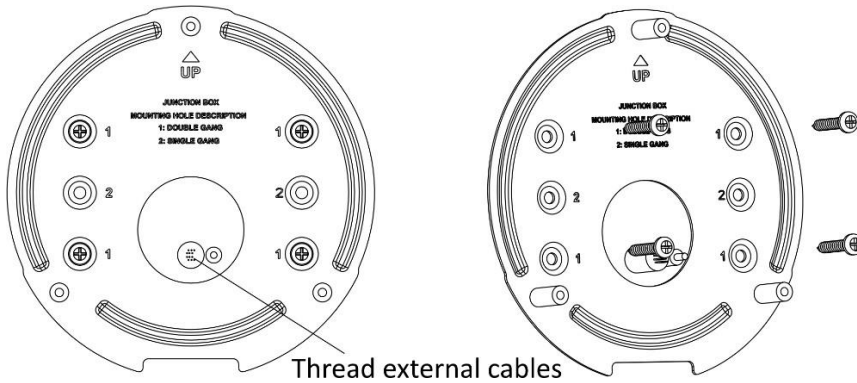


Figure 2-3 Install Rear Cover

Note

Make sure the template is installed as the silk-screen **UP** indicates.

Step 2 Thread internal cables through the wire holes, and tighten the screws to fix the junction box.

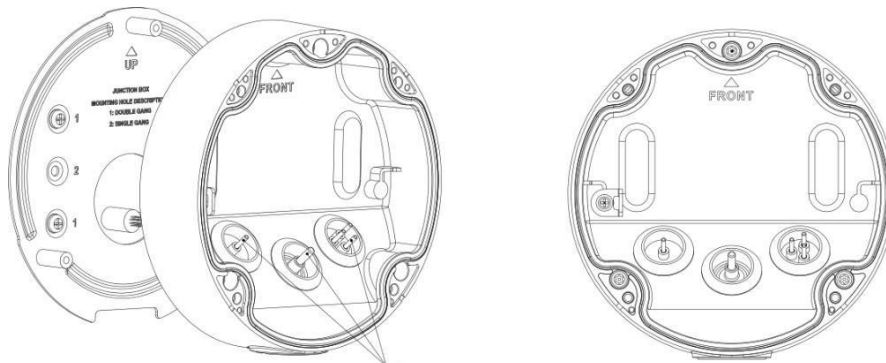


Figure 2-4 Install Junction Box

Step 3 Fix the camera to the junction box with four screws.

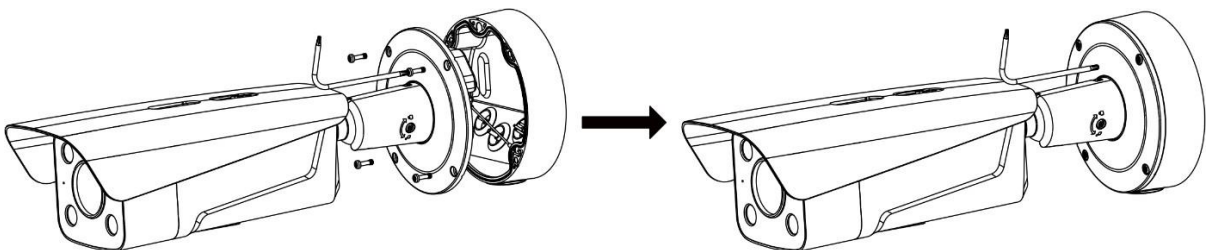


Figure 2-5 Install Camera

Step 4 Loosen the screw to adjust the angle of the camera, and tighten the screw after adjustment.

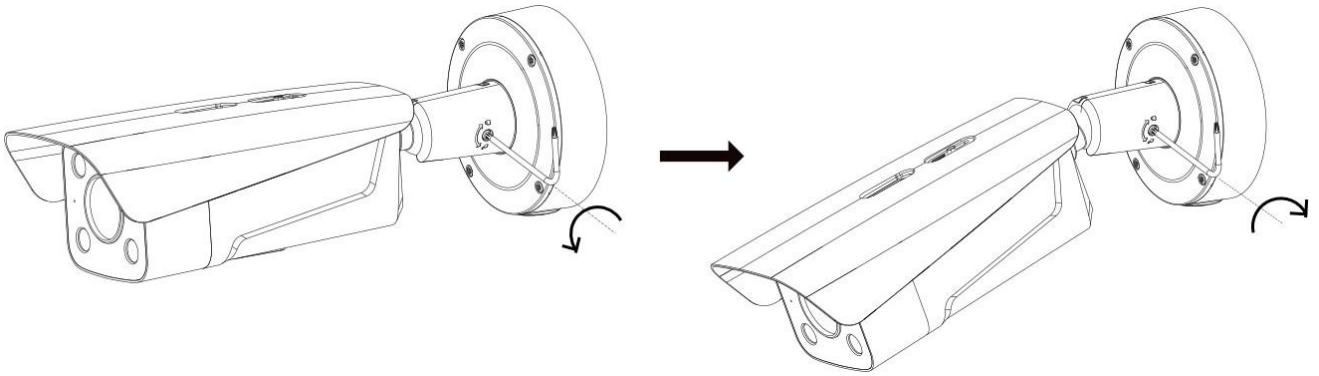


Figure 2-6 Adjust Angle

2.3 Power on

The cables should be well laid out and connected for normal device usage. Power on the device after the device is installed correctly.

Note

If the device fails to be powered on normally, please check whether the cables are connected correctly. If the cables are connected correctly, go further to check the cable arrangement.

Chapter 3 Device Configuration

Scan the QR code below to get the user manual for detailed configuration.



Figure 3-1 User Manual QR Code



See Far, Go Further