

# DE'LONGHI

## COOKING

---

INSTALLATION & USER INSTRUCTIONS

**DSC 616-MF**  
DUAL FUEL COOKER



# CONTENTS

## Page Number

Introduction . . . . .	3
Important Safeguards & Recommendations . . . . .	4 - 9
<b>Advice For The Installer</b> . . . . .	11
Installation . . . . .	12 - 16
Gas installation . . . . .	17 - 22
Electrical section . . . . .	23 - 24
<b>Advice For The Users</b> . . . . .	27
Cooking Hob . . . . .	28
Control Panel . . . . .	29
Use of hob burners . . . . .	30 - 31
Multifunction electric oven . . . . .	32 - 39
Electronic programmer "Touch Control" . . . . .	40 - 44
Cleaning & maintenance . . . . .	45 - 53
Guarantee & After Sales Service . . . . .	54

## Dear Customer,

Thank you for purchasing the *DeLonghi DSC 616-MF* dual fuel cooker.

The safety precautions and recommendations listed below are for your own safety and that of others. They will also provide a means by which to make full use of the features offered by your appliance.

Please retain this booklet for future reference.

***This appliance must be used only for the task it has explicitly been designed for, that is for cooking foodstuffs. Any other form of usage is to be considered as inappropriate and therefore potentially dangerous.***

***The manufacturer declines all responsibility in the event of damage caused by improper, incorrect or illogical use of the appliance.***

## DECLARATION OF CE CONFORMITY

- This appliance has been designed to be used only for cooking. Any other use (such as heating a room) is improper and dangerous.
- This appliance has been designed, constructed, and marketed in compliance with:
  - Safety requirements of the "Gas" Regulation (EU) 2016/426;
  - Safety requirements of the "Low voltage" Directive 2014/35/EU;
  - Safety requirements of the "EMC" Directive 2014/30/EU;
  - Requirements of EU Directive 93/68/EEC;
  - Requirements of EU Directive 2011/65/EU.



## IMPORTANT INFORMATION FOR CORRECT DISPOSAL OF THE PRODUCT IN ACCORDANCE WITH EC DIRECTIVE 2012/19/EC.

At the end of its working life, the product must not be disposed of as urban waste. It must be taken to a special local authority differentiated waste collection centre or to a dealer providing this service.

Disposing of a household appliance separately avoids possible negative consequences for the environment and health deriving from inappropriate disposal and enables the constituent materials to be recovered to obtain significant savings in energy and resources. As a reminder of the need to dispose of household appliances separately, the product is marked with a crossed-out wheeled dustbin.



## IMPORTANT SAFETY PRECAUTIONS AND RECOMMENDATIONS

**IMPORTANT: This appliance is designed and manufactured solely for the cooking of domestic (household) food and is not suitable for any non domestic application and therefore should not be used in a commercial environment.**

**The appliance guarantee will be void if the appliance is used within a non domestic environment i.e. a semi commercial, commercial or communal environment.**

**Read the instructions carefully before installing and using the appliance.**

- This appliance has been designed and manufactured in compliance with the applicable standards for the household cooking products and it fulfills all the safety requirements shown in this manual, including those for surface temperatures. Some people with sensitive skin may have a more pronounced temperature perception with some components although these parts are within the limits allowed by the norms. The complete safety of the appliance also depends on the correct use, we therefore recommend to always pay a extreme attention while using the product, especially in the presence of children.
- After having unpacked the appliance, check to ensure that it is not damaged and that the oven door closes correctly. In case of doubt, do not use it and consult your supplier or a professionally qualified technician.
- Packing elements (i.e. plastic bags, polystyrene foam, nails, packing straps, etc.) should not be left around within easy reach of children, as these may cause serious injuries.
- Some appliances are supplied with a protective film on steel and aluminium parts. **This film must be removed before using the appliance.**
- **IMPORTANT:** The use of suitable protective clothing/gloves is recommended when handling or cleaning this appliance.
- Do not attempt to modify the technical characteristics of the appliance as this may become dangerous to use. The manufacturer declines all responsibility for any inconvenience resulting from the inobservance of this condition.

- CAUTION: this appliance must only be installed in a permanently ventilated room in compliance with the applicable regulations.
- Do not operate your appliance by means of an external timer or separate remote-control system.
- Do not carry out cleaning or maintenance operations on the appliance without having previously disconnected it from the electric power supply.
- WARNING: Ensure that the appliance is switched off before replacing the oven lamp to avoid the possibility of electric shock.
- Do not use a steam cleaner because the moisture can get into the appliance therefore making it unsafe.
- Do not touch the appliance with wet or damp hands (or feet).
- Do not use the appliance whilst in bare feet.
- If you should decide not to use this appliance any longer (or decide to substitute another model), before disposing of it, it is recommended that it be made inoperative in an appropriate manner in accordance to health and environmental protection regulations, ensuring in particular that all potentially hazardous parts be made harmless, especially in relation to children who could play with unused appliances.
- The various components of the appliance are recyclable. Dispose of them in accordance with the regulations in force in your country. If the appliance is to be scrapped, remove the power cord.
- After use, ensure that the knobs are in the off position.
- Children less than 8 years of age shall be kept away unless continuously supervised.
- This appliance can be used by children aged from 8 years and above and persons with reduced physical, sensory or mental capabilities or lack of experience and knowledge if they have been given supervision or instruction concerning use of the appliance in a safe way and understand the hazards involved. Children shall not play with the appliance. Cleaning and user maintenance shall not be made by children without supervision.
- The manufacturer declines all liability for injury to persons or damage to property caused by incorrect or improper use of the appliance.

- **WARNING:** During use the appliance and its accessible parts become hot; they remain hot for some time after use.
  - Care should be taken to avoid touching heating elements (on the hob and inside the oven).
  - The door is hot, use the handle.
  - To avoid burns and scalds, young children should be kept away.
- Make sure that electrical cables connecting other appliances in the proximity of the cooker cannot come into contact with the hob or become entrapped in the oven door.
- **WARNING:** Unattended cooking on a hob with fat or oil can be dangerous and may result in fire. **NEVER** try to extinguish a fire with water, but switch off the appliance and then cover flame e.g. with a lid or a fire blanket.
- **WARNING:** Danger of fire: do not store items on the cooking surfaces.
- **WARNING:** When correctly installed, your product meets all safety requirements laid down for this type of product category. However special care should be taken around the rear or the underneath of the appliance as these areas are not designed or intended to be touched and may contain sharp or rough edges, that may cause injury.
- **FIRST USE OF THE OVEN** - it is advised to follow these instructions:
  - Furnish the interior of the oven as described in the chapter “CLEANING AND MAINTENANCE”.
  - Switch on the empty oven on max to eliminate grease from the heating elements.
  - Disconnect the appliance from the electrical power supply, let the oven cool down and clean the interior of the oven with a cloth soaked in water and neutral detergent; then dry carefully.
- **CAUTION:** Do not use harsh abrasive cleaners or sharp metal scrapers to clean the oven door glass since they can scratch the surface, which may result in shattering of the glass.
- Do not line the oven walls or base with aluminium foil. Do not place baking trays or the drip tray on the base of the oven chamber.

- Do not cover the hob with aluminium foils.
- FIRE RISK! Do not store flammable material in the oven or in the storage compartment.
- Always use oven gloves when removing the shelves and food trays from the oven whilst hot.
- Do not hang towels, dishcloths or other items on the appliance or its handle – as this could be a fire hazard.
- Clean the oven regularly and do not allow fat or oils to build up in the oven base or tray. Remove spillages as soon as they occur.
- Do not stand on the cooker or on the open oven door.
- Always stand back from the appliance when opening the oven door to allow steam and hot air to escape before removing the food.
- SAFE FOOD HANDLING: Leave food in the oven for as short a time as possible before and after cooking. This is to avoid contamination by organisms which may cause food poisoning. Take particular care during warmer weather.
- WARNING: Take care NOT to lift the cooker by the door handle.
- CAUTION: The cooking process has to be supervised. A short term cooking process has to be supervised continuously.
- The appliance must not be installed behind a decorative door in order to avoid overheating.
- The oven accessories (e.g. oven wire rack) must be fitted correctly as indicated at page 48.
- If the power supply cable is damaged, it must be replaced only by an authorized service agent in order to avoid a hazard.
- IMPORTANT NOTE: The oven shelves (for some products one shelf only is provided) have not been designed to place the food directly on the shelf itself. When cooking, always place the food in special containers or use specific materials suitable for the food contact.
- If the appliance is not fitted with a supply cord and a plug, or with other means for disconnection from the supply mains having a contact separation in all poles that provide full disconnection under overvoltage category III conditions, means for disconnection

must be incorporated in the fixed wiring in accordance with the wiring rules.

- **WARNING:** The appliance and its accessible parts become hot during use.  
Care should be taken to avoid touching heating elements.  
Children less than 8 years of age shall be kept away unless continuously supervised.
- **WARNING:** Use only hob guards designed by the manufacturer of the cooking appliance or indicated by the manufacturer of the appliance in the instructions for use as suitable or hob guards incorporated in the appliance. The use of inappropriate guards can cause accidents.

## **ENERGY LABELLING/ECODESIGN**

- Commission delegated regulation (EU) No 65/2014 (supplementing Directive 2010/30/EU of the European Parliament and of the Council).
- Commission regulation (EU) No 66/2014 (implementing Directive 2009/125/EC of the European Parliament and of the Council).

Reference to the measurement and calculation methods used to establish compliance with the above requirements:

- Standard EN 60350-1 (electric ovens).
- Standard EN30-2-1 (hobs: gas fired burners).

## **USE OF THE APPLIANCE, ENERGY SAVING TIPS**

### **OVEN**

- Check the oven door always closes properly and the door gasket is clean and in order. During use, open the oven door only when strictly necessary to avoid heat losses (for some functions it may be necessary to use the oven with the door half-closed, check the oven operating instructions).
- Turn off the oven 5-10 minutes before the end of the theoretical cooking time to recuperate the stored heat.
- We recommend using oven proof dishes and adjusting the oven temperature during cooking if necessary.

### **HOB**

#### **GAS FIRED BURNERS**

- It is important that the diameter of the pot be suitable to the size of the burner so as not to compromise the high output of the burners and therefore energy waste. A small pot on a large burner does not give you a boiling point in a shorter amount of time since the capacity of heat absorption of a liquid mass depends on the volume and the surface of the pot.
- Avoid keeping a burner on without something on it (without pot).



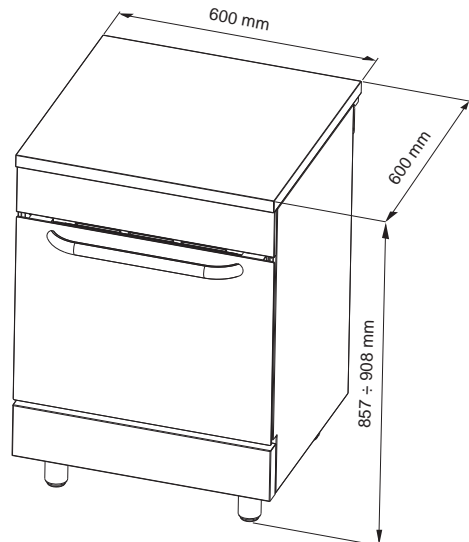
# Advice for the installer

## IMPORTANT

- The appliance is designed and approved for domestic use only and should not be installed in a commercial, semi commercial or communal environment.  
**Your product will not be guaranteed if installed in any of the above environments and could affect any third party or public liability insurances you may have.**  
The appliance may be installed in a kitchen, kitchen/diner or a bed sitting room, but not in a room or space containing a bath or a shower without first consulting current regulations.  
The appliance must not be installed in a bed-sitting room of less than 20 m<sup>3</sup>.
- Cooker installation must only be carried out by a **SUITABLY QUALIFIED AND REGISTERED TECHNICIAN** and in compliance with local safety standards.  
Failure to observe this rule will invalidate the warranty.
- The appliance must be installed in compliance with regulations in force in your country and in observation of the manufacturer's instructions.
- Always disconnect the appliance from the power supply before carrying out any maintenance operations or repairs.
- Take care NOT to lift the oven by the door handle/s.
- Some appliances are supplied with a protective film on steel and aluminium parts.  
**This film must be removed before using the cooker.**
- **Important: The use of suitable protective clothing/gloves is recommended when handling or installing this appliance.**

## WARNING

When correctly installed, your product meets all safety requirements laid down for this type of product category. However special care should be taken around the rear or the underneath of the appliance as these areas are not designed to be touched and may contain sharp or rough edges, that may cause injury.



# 1 - INSTALLATION

**This cooker has class “2/1” overheating protection so that it can be installed next to a cabinet.**

If the cooker is installed adjacent to furniture which is higher than the gas hob cooktop, a gap of at least 200 mm must be left between the side of the cooker and the furniture.

The walls and kitchen furniture surrounding the appliance must be made of non-flammable material. The veneered synthetical material and the glue used must be resistant to a temperature of 150°C in order to avoid ungluing or deformations. It is recommended that a 10 mm gap to each side is made if the adjacent kitchen furniture is made of a plastic laminate wrap.

Curtains must not be fitted immediately behind appliance or within 500 mm of the sides.

It is essential that the cooker is positioned as stated below.

We do not recommend the cooker is located on a plinth. If this is unavoidable, it will be necessary to provide safety measures to prevent the appliance falling off.

**The cooker must be installed by a suitably qualified technician and in compliance with local safety standards.**

**A marine application is not to be considered as a domestic enviroment.**

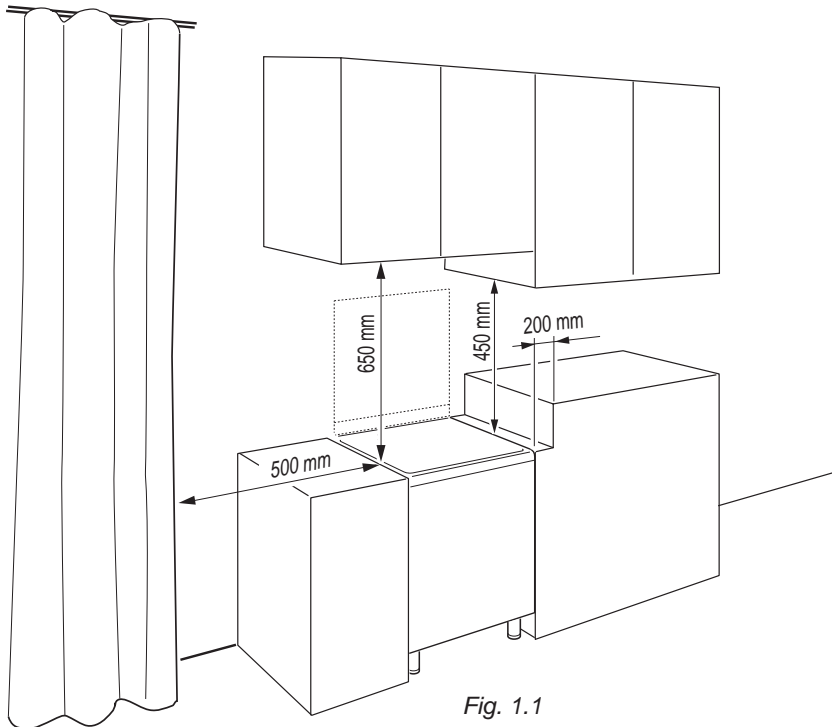


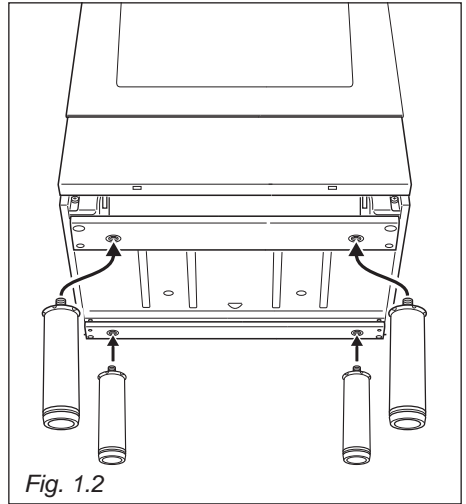
Fig. 1.1

## FITTING THE ADJUSTABLE FEET AND LEVELLING THE COOKER

The adjustable feet must be fitted to the base of the cooker before use (fig. 1.2).

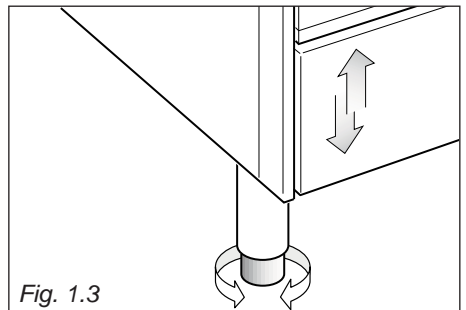
Rest the rear of the cooker on a piece of the polystyrene packaging exposing the base for the fitting of the feet.

Fit the 4 legs by screwing them tight into the support base as shown in figure 1.2.



## LEVELLING THE COOKER

The cooker may be levelled by screwing the lower ends of the feet IN or OUT (fig. 1.3).

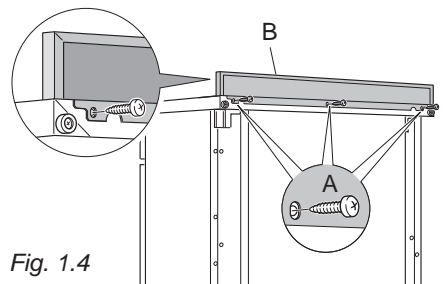


## FIXING THE BACKGUARD

Before installing the cooker, assemble the backguard "B".

The backguard "B" can be found packed at the rear of the cooker.

1. Before assembling, remove any protective film/ adhesive tape.
2. Remove the three screws "A" from the rear of the cooktop.
3. Assemble the backguard as shown and fix it by screwing the three screws "A".



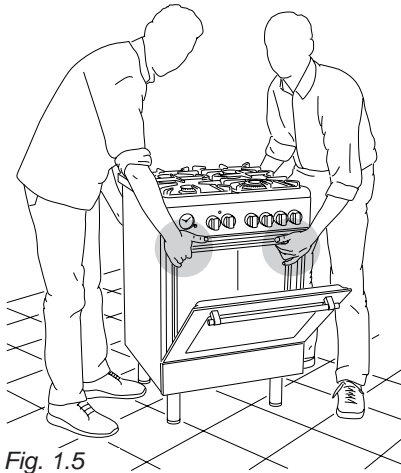


Fig. 1.5

## MOVING THE COOKER

**WARNING:** When raising cooker to upright position always ensure two people carry out this manoeuvre to prevent damage to the adjustable feet (fig. 1.5).

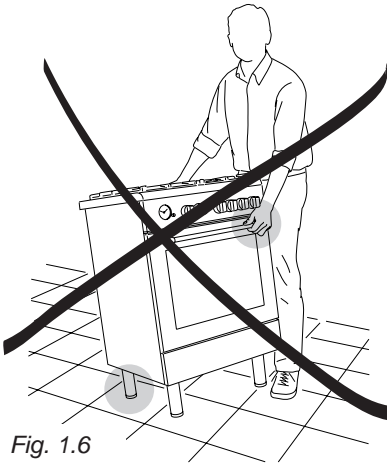


Fig. 1.6

## WARNING

Be carefull: do not lift the cooker by the door handle when raising to the upright position (fig. 1.6).



Fig. 1.7

## WARNING

When moving cooker to its final position **DO NOT DRAG** (fig.1.7). Lift feet clear of floor (fig. 1.5).

## ANTI-TILT BRACKET

### Important!

To restrain the appliance and prevent it tipping accidentally, fit the supplied bracket to the rear wall to fix it securely.

To fit the anti-tilt bracket:

1. After you have located where the cooker is to be positioned, mark on the wall the place where the two screws of the anti-tilt bracket have to be fitted. Please follow the indications given in fig. 1.8.
2. Drill two 8 mm diameter holes in the wall and insert the plastic plugs supplied.

### Important!

Before drilling the holes, check that you will not damage any pipes or electrical wires.

3. Loosely attach the anti-tilt bracket with the two screws supplied.
4. Move the cooker to the wall and adjust the height of the anti-tilt bracket so that it can engage in the slot on the cooker's back, as shown in fig. 1.8.
5. Tighten the screws attaching the anti-tilt bracket.
6. Push the cooker against the wall so that the anti-tilt bracket is fully inserted in the slot on the cooker's back.

### Attention!

When sliding the cooker into place pay special attention not to trap the power supply cable in the stability bracket.

Pay special attention to the gas connection hose.

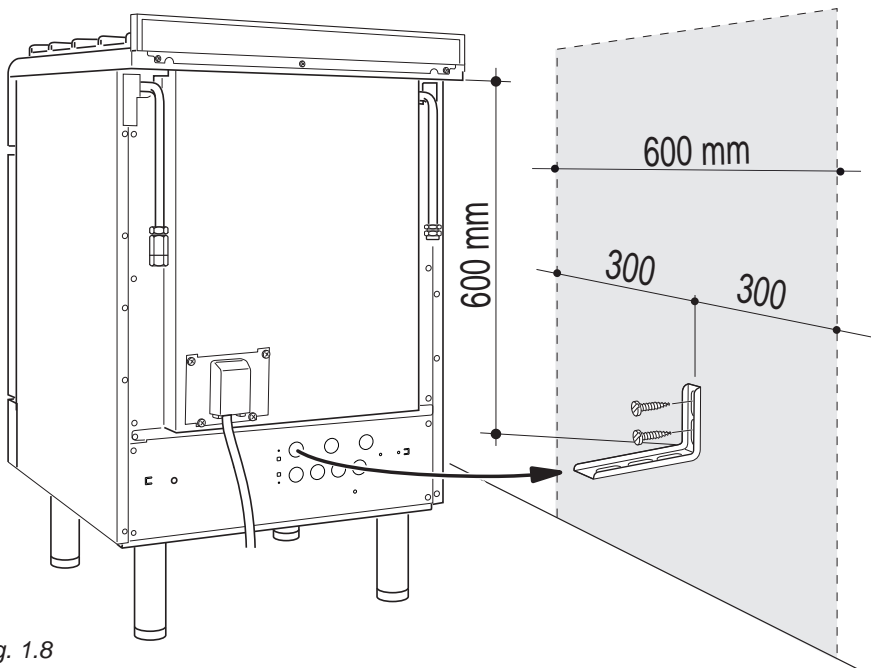


Fig. 1.8

## **PROVISION FOR VENTILATION**

- The appliance should be installed into a room or space with an air supply in accordance with the current version of BS 5440-2: 2000.
- For rooms with a volume of less than 5m<sup>3</sup> - permanent ventilation of 100 cm<sup>2</sup> free area must be provided.
- For rooms with a volume of between 5 m<sup>3</sup> and 10 m<sup>3</sup> a permanent ventilation of 50 cm<sup>2</sup> free area will be required unless the room has a door which opens directly to the outside air in which case no permanent ventilation is required.
- For rooms with a volume greater than 10 m<sup>3</sup> - no permanent ventilation is required.

**Note: Regardless of room size, all rooms containing the appliance must have direct access to the outside air via an openable window or equivalent.**

- Where there are other fuel burning appliances in the same room, the current version of BS 5440-2: 2000 should be consulted to determine the correct amount of free area ventilation requirements.
- The above requirements allow also for use of a gas oven and grill but if there are other gas burning appliances in the same room, consult a qualified engineer.

## 2 - GAS INSTALLATION

### IMPORTANT NOTE

This appliance is supplied for use on NATURAL GAS or LPG (check the gas regulation label attached on the appliance).

- Appliances supplied for use on NATURAL GAS are adjusted for this gas only and cannot be used on any other gas (LPG) without modification. The appliances are manufactured for conversion to LPG.
- Appliances supplied for use on LPG are adjusted for this gas only and cannot be used on any other gas (NATURAL GAS) without modification. The appliances are manufactured for conversion to NATURAL GAS.

If the NATURAL GAS/LPG conversion kit is not supplied with the appliance this kit can be purchased by contacting the After-Sales Service.

### INSTALLATION & SERVICE REGULATIONS (UNITED KINGDOM)

It is a legal requirement that all gas appliances are Installed & Serviced by a competent person in accordance with the current editions of the following Standards & Regulations or those regulations appropriate to the geographical region in which they are to be installed:

- Gas Safety (Installation & Use) Regulations
- Building Regulations
- British/European Standards
- Regulations for Electrical Installation

Installation and service of any gas product must be made by a suitably qualified and registered person competent on the type of product being installed or serviced and holding a valid certificate of competence for the work being carried out. Currently the proof of competence is the Accredited Certification Scheme (ACS) or N/SVQ that has been aligned to the ACS.

It is also a requirement that all businesses or self employed installers are members of a class of person approved by the Health and Safety Executive.

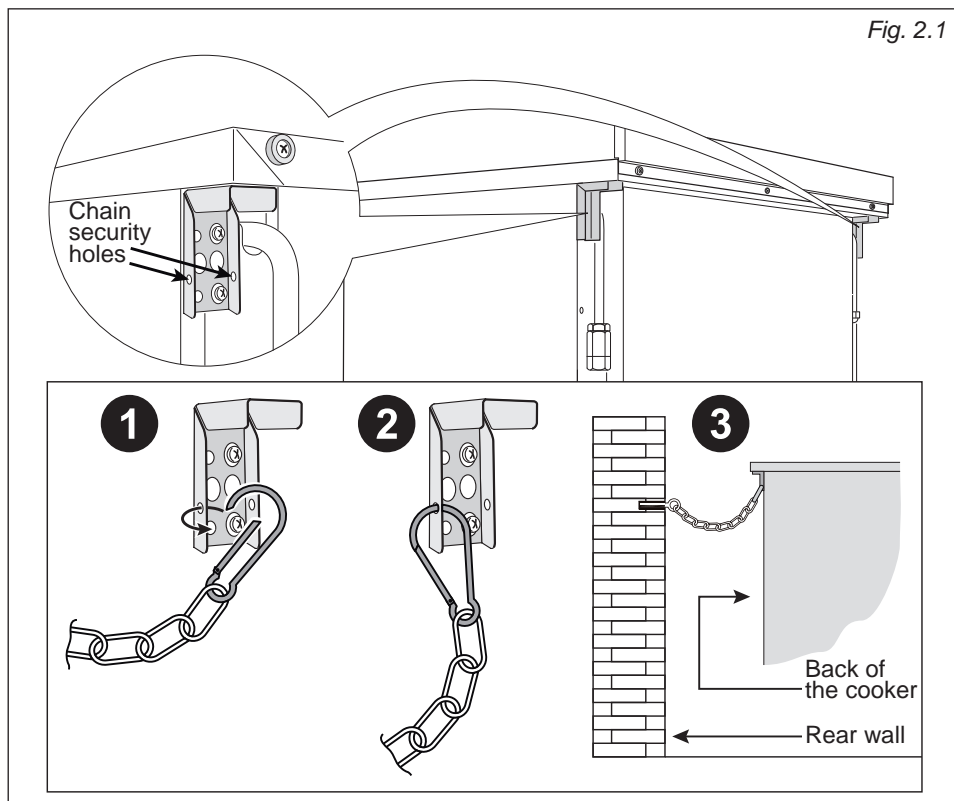
Failure to install the appliance correctly could invalidate any manufacturers warranty and lead to prosecution under the above quoted regulations.

### GAS CONNECTION



It is a requirement that a restraining chain (not supplied with the appliance) is also used to prevent stress being applied to the gas hose or pipework. The chain should be attached securely to the product and on the wall (fig. 2.1).

Fig. 2.1



### Installation to Natural Gas

Installation to Natural Gas must conform to the Code of Practice, etc.  
The supply pressure for Natural Gas is 20 mbar.  
The installation must conform to the relevant British/European Standards.

### Installation to LP Gas

When operating on Butane gas a supply pressure of 28-30 mbar is required.  
When using Propane gas a supply pressure of 37 mbar is required.  
The installation must conform to the relevant British/European Standards.

**Warning:** Only a suitably qualified and registered installer, also with technical knowledge of electricity should install the appliance.  
He should observe the Regulations and Codes of Practice governing such installation of gas appliances.

Note: It is recommended that the gas connection to the appliance is installed with a flexible hose connecting tube made to BS669 or EN 14800.

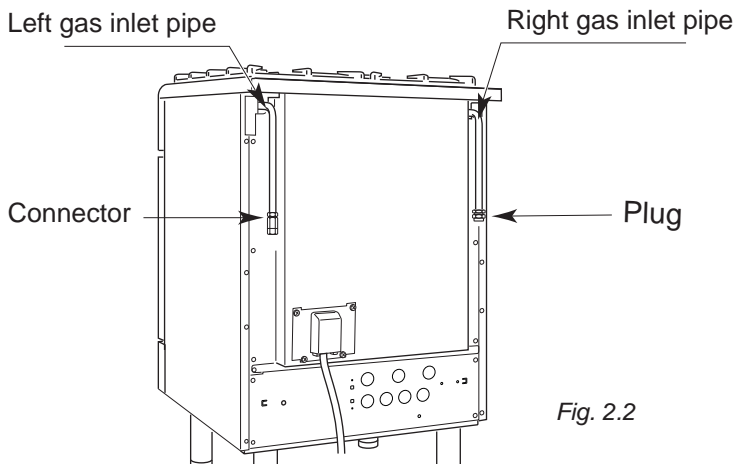
## Notes:

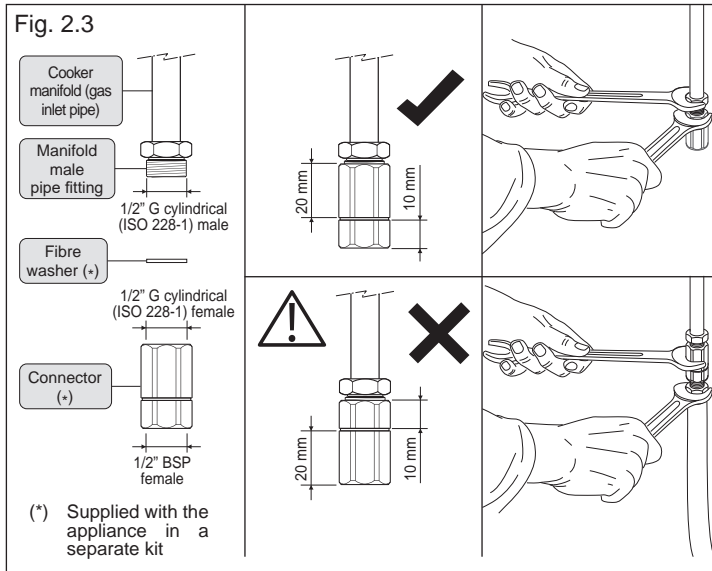
- Flexible hoses can be used where the sited ambient temperature of the hose does not exceed 70°C. These hoses must be manufactured in accordance with BS669 part 1 or EN 14800 and be of the correct construction for the type of gas being used.
- Gas hoses designed for natural gas **MUST NOT** be used for supplying LPG gas (LPG gas hoses can be identified by either a red band or stripe on the rubber outer coating of the hose).  
The hose should not be crushed or trapped or be in contact with sharp or abrasive edges.

**IMPORTANT!** It is the responsibility of the gas installer to ensure that the product is fully tested and commissioned in accordance with current regulations to ensure there are no gas escapes.

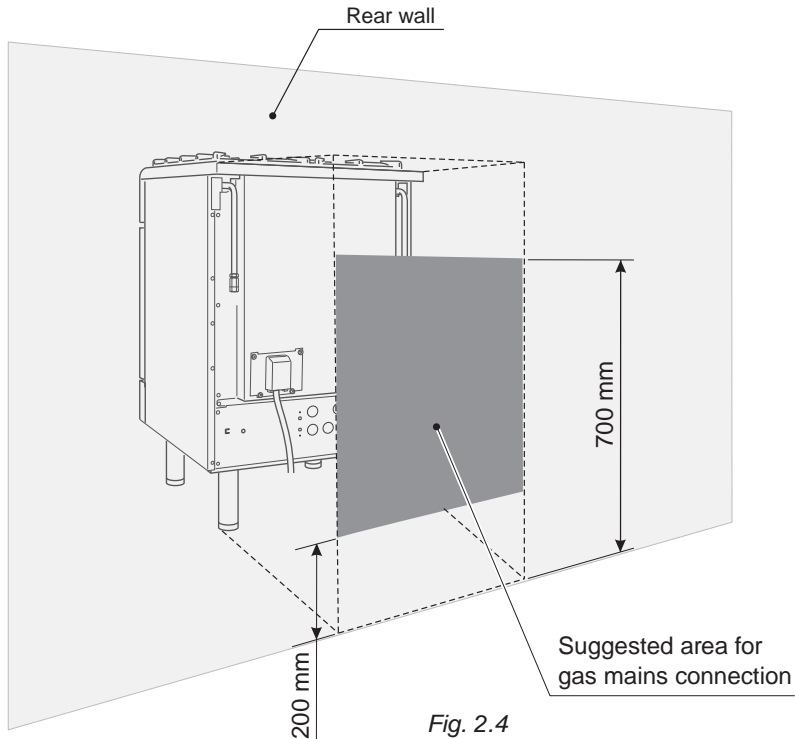
## Gas connection (figs. 2.2, 2.3, 2.4)

- The gas supply must use the gas inlet pipe which is located at the left hand side at the rear of the appliance.
- **IMPORTANT NOTE:** Before connecting the appliance to the gas mains fit the female connector (supplied with the appliance in a separate kit) to the left inlet pipe using the fibre washer supplied.
- **IMPORTANT: Check the correct positioning of the connector as per pictures and always operate using two suitable spanners.**
- The hose should not be crushed or trapped or be in contact with sharp or abrasive edges. It should also not be subjected to corrosion by acidic cleansing agents. The hose should also be connected in such way that it does not touch the floor and must hang in a natural loop between the appliance and the bayonet fitting.
- To avoid damage to the appliance gas rail inlet pipe the fittings should be tightened using two suitable spanners.





## IMPORTANT PRESCRIPTIONS FOR GAS CONNECTION



# CONVERSION TO NATURAL GAS OR TO LPG

## REPLACEMENT OF THE INJECTORS

If the injectors are not supplied they can be obtained from the After-Sales Service.

Select the injectors to be replaced according to the "Table for the choice of the injectors".

The nozzle diameters, expressed in hundredths of a millimetre, are marked on the body of each injector.

## REPLACEMENT OF THE INJECTORS OF THE COOKTOP BURNERS

To replace the injectors proceed as follows:

- Remove pan supports and burners from the cooktop.
- Using a wrench, substitute the nozzle injectors "J" (figs. 2.5, 2.6) with those most suitable for the kind of gas for which it is to be used.

The burners are conceived in such a way so as not to require the regulation of the primary air.

## ADJUSTING OF THE MINIMUM OF THE TOP BURNERS

In the minimum position the flame must have a length of about 4 mm and must remain lit even with a quick turn from the maximum position to that of minimum.

The flame adjustment is done in the following way:

- Turn on the burner.
- Turn the tap to the MINIMUM position.
- Take off the knob.
- With a thin screwdriver turn the screw "F" until adjustment is correct (fig. 2.7).

Normally for LPG, tighten up the regulation screw.

Auxiliary and Semi-rapid burners

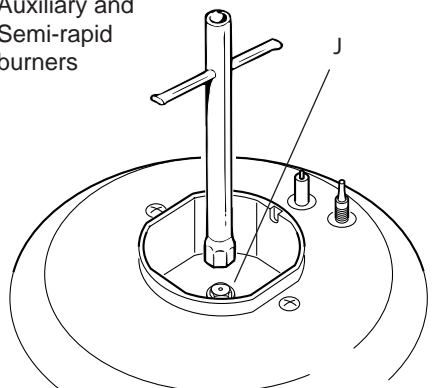


Fig. 2.5

Triple-ring burner

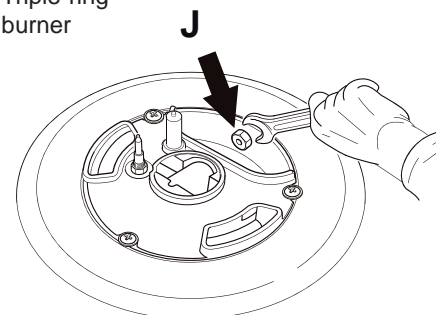


Fig. 2.6

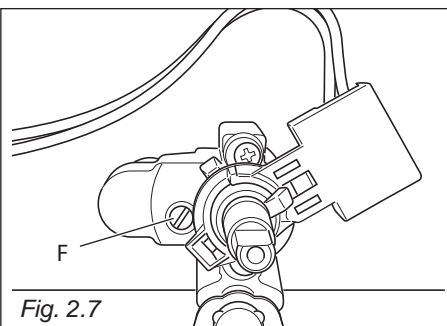


Fig. 2.7

## TABLE FOR THE CHOICE OF THE INJECTORS

**GB** **IE** Cat: **II 2H3+**

BURNERS	Nominal power [kW]	Reduced power [kW]	LPG G30 28-30 mbar G31 37 mbar	Natural Gas G20 20 mbar
			∅ injector [1/100 mm]	∅ injector [1/100 mm]
Auxiliary (A)	1,00	0,30	50	77
Semi-rapid (SR)	1,75	0,45	65	101
Triple-ring (TR)	4,00	1,50	98	141

AIR VENT NECESSARY FOR GAS COMBUSTION = (2 m <sup>3</sup> /h x kW)	
BURNERS	Air necessary for combustion [m <sup>3</sup> /h]
Auxiliary (A)	2,00
Semi-rapid (SR)	3,50
Triple-ring (TR)	8,00

### LUBRICATION OF THE GAS TAPS

- In case of difficulty in the gas taps operation, call Service.

### IMPORTANT

All intervention regarding installation maintenance of the appliance must be fulfilled with original factory parts.

The manufacturer declines any liability resulting from the non-compliance of this obligation.

## 3 - ELECTRICAL INSTALLATION

**IMPORTANT:** The appliance must be installed in accordance with the manufacturer's instructions. Incorrect installation, for which the manufacturer accepts no responsibility, may cause damage to persons, animals or property.

The connection of the appliance to earth is mandatory. The manufacturer declines all responsibility for any inconvenience resulting from the inobservance of this condition.

Before carrying out any work on the electrical parts of the appliance, the appliance must be disconnected from the mains.

### FOR YOUR SAFETY PLEASE READ THE FOLLOWING INFORMATION:

This appliance must be installed by a qualified technician according to the current local regulations and in compliance with the manufacturer instructions.

This appliance is supplied with a moulded 13 amp three pin mains plug with a 13 amp fuse fitted. Should the fuse require replacement, it must be replaced with a fuse rated at 13 amp and approved by ASTA or BSI to BS 1362.

The plug contains a removable fuse cover that must be refitted when the fuse is replaced. In the event of the fuse cover being lost or damaged, the plug must not be used until a replacement cover has been obtained. Replacement fuse covers can be purchased from your nearest electrical dealer and must be the same colour as the original.

IF THE MOULDED MAINS PLUG IS UNSUITABLE FOR THE SOCKET OUTLET IN YOUR HOME OR IS REMOVED FOR ANY OTHER REASON, THEN THE FUSE SHOULD BE REMOVED AND THE CUT OFF PLUG DISPOSED OF SAFELY TO PREVENT THE HAZARD OF ELECTRIC SHOCK.

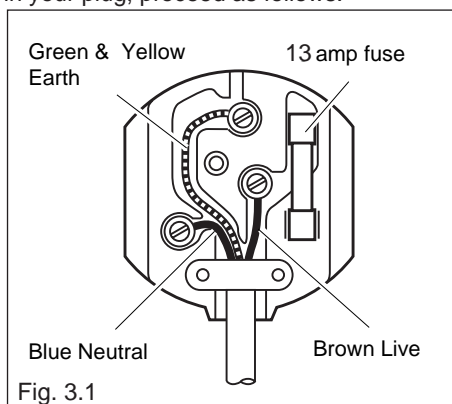
THERE IS A DANGER OF ELECTRICAL SHOCK IF THE CUT OFF PLUG IS INSERTED INTO ANY 13 AMP SOCKET OUTLET.

If a replacement plug is to be fitted, please observe the wiring code shown below.

**Warning! This appliance must be earthed.**

A properly earthed three pin plug (fused at 13 amps, to BS 1362 ASTA approved) must be used. As the colours of the wires in the mains lead of this appliance may not correspond with the coloured markings identifying the terminals in your plug, proceed as follows:

- The wire which is coloured GREEN & YELLOW must be connected to the terminal in the plug which is marked with letter "E" or by the Earth symbol  $\perp$  or coloured GREEN & YELLOW.
- The wire which is coloured BLUE must be connected to the terminal which is marked with the letter "N" or coloured BLACK.
- The wire which is coloured BROWN must be connected to the terminal which is marked with the letter "L" or coloured RED.



## ELECTRICAL FEEDER CABLE CONNECTION

**WARNING:** The operations must be executed by a qualified technician.

If the power supply cable is damaged, it must be replaced only by an authorised service agent in order to avoid a hazard.

To connect the supply cable:

- Unhook the terminal board cover by inserting a screwdriver into the two hooks "A" (fig. 3.1).
- Open the cable gland by unscrewing screw "F" (fig. 3.2), unscrew the terminal screws.
- Insert the feeder cable of the suitable section (as described in the next chapter) into the cable gland.
- Connect the phase, neutral and earth wires to terminal board according to the diagram in fig. 3.3.
- Strain the feeder cable and block it with cable clamp .
- Close the terminal block cover (check the two hooks "A" are correctly hooked).

**NOTE:** The earth conductor must be left about 3 cm longer than the others.

**IMPORTANT:** To connect the power supply cable **DO NOT** unscrew the screws fixing the cover plate behind the terminal block.

### FEEDER CABLE SECTION

"Type H05RR-F or H05VV-F or H05V2V2-F  
(resistance to temperatures of 90°C)"

220-240 V ac    3 x 1,5 mm<sup>2</sup> (\*)

(\*) Connection possible with plug and outlet

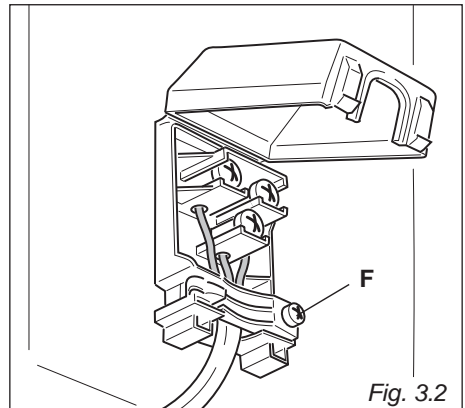


Fig. 3.2

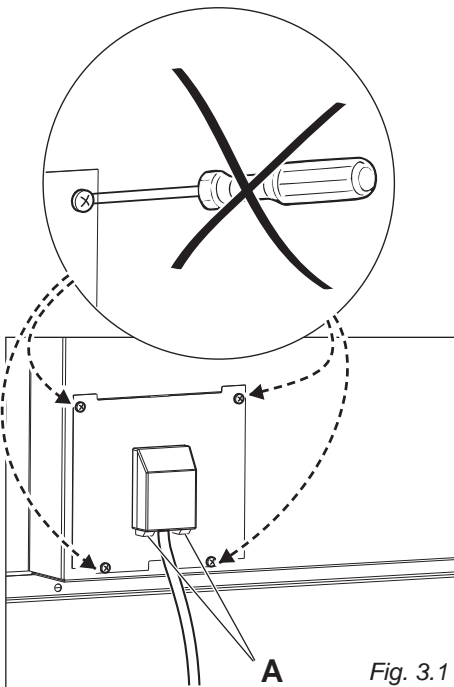


Fig. 3.1

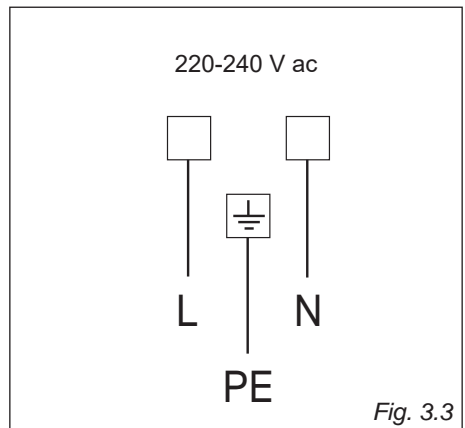


Fig. 3.3





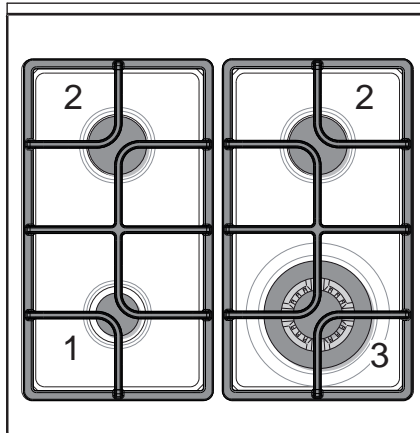


# Advice for the users



# 1 - COOKING HOB

Fig. 1.1



## GAS BURNERS

- |                            |         |
|----------------------------|---------|
| 1. Auxiliary burner (A)    | 1,00 kW |
| 2. Semi-rapid burner (SR)  | 1,75 kW |
| 3. Triple-ring burner (TR) | 4,00 kW |

## Notes:

- The electric ignition is incorporated in the knobs.
- The appliance has a safety valve system fitted, the flow of gas will be stopped if and when the flame should accidentally go out.

## CAUTION:

If the burner is accidentally extinguished, turn the gas off at the control knob and wait at least 1 minute before attempting to relight.

## CAUTION:

Gas hobs produce heat and humidity in the environment in which they are installed. Ensure that the cooking area is well ventilated by opening the natural ventilation grilles or by installing an extractor hood connected to an outlet duct that vents to the outside.

## CAUTION:

If the hob is used for a prolonged time it may be necessary to provide further ventilation by opening a window or by increasing the suction power of the extractor hood if fitted and vented to the outside.

## 2 - CONTROL PANEL

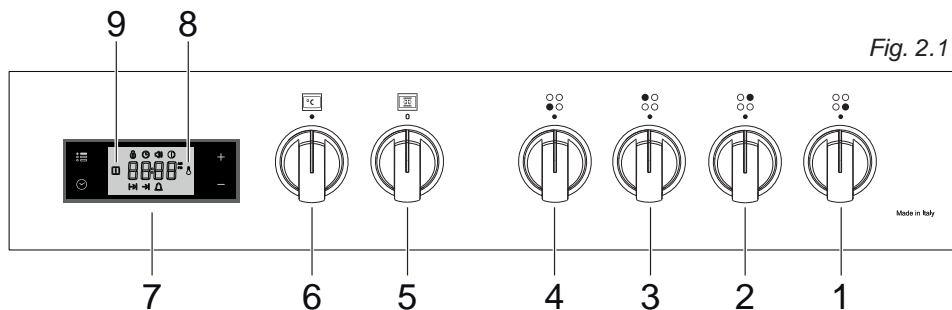


Fig. 2.1

### Controls description

1. Front right burner control knob
2. Rear right burner control knob
3. Rear left burner control knob
4. Front left burner control knob
5. Multifunction oven selector control knob
6. Multifunction oven thermostat control knob
7. Electronic clock/programmer "Touch-control"
8. Oven thermostat indicator
9. Power on indicator

#### NOTE:

The knob and symbols may vary.

**Please note:** This appliance incorporates a safety cooling fan which you will hear operating whenever the oven or grill is being used.




The cooling fan may even run on after the appliance has been switched off.

The duration of this time is dependent on several factors, including previous cooking temperature, duration and ambient temperature. Times in excess of 30 minutes are not uncommon.

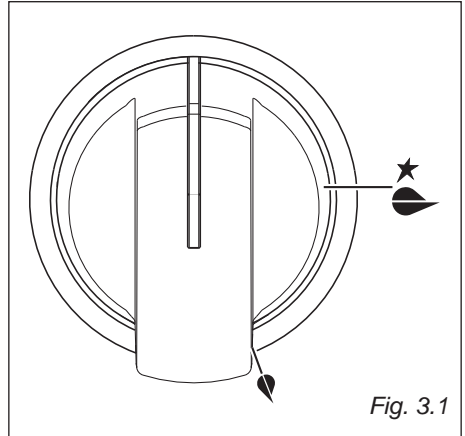
# 3 - USE OF THE HOB BURNERS

## GAS BURNERS

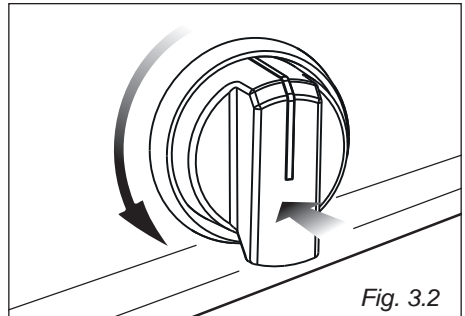
Gas flow to the burners is adjusted by turning the knobs (illustrated in fig. 3.1) which control the safety valves. Turning the knob, so that the symbols printed on the knob itself point to the symbol printed on the control panel, achieves the following functions:

- symbol  closed valve
- symbol  maximum aperture or flow
- symbol  minimum aperture or flow

- √ The maximum aperture position permits rapid boiling of liquids, whereas the minimum aperture position allows slower warming of food or maintaining boiling conditions of liquids.
- √ To reduce the gas flow to minimum rotate the knob further anti-clockwise to point the indicator towards the small flame symbol.
- √ Other intermediate operating adjustments can be achieved by positioning the indicator between the maximum and minimum aperture positions, and never between the maximum aperture and closed positions.



**NOTE:**  
The knob and symbols may vary.




**Caution!**  
Do not cover the hob with aluminium foils.

**N.B. When the cooker is not being used, set the gas knobs to their closed positions.**


**Caution!**  
The cooking hob becomes very hot during operation.  
Keep children well out of reach.

## LIGHTING THE BURNERS

To ignite the burner, the following instructions are to be followed:

1. Press in the corresponding knob and turn counter-clockwise (fig. 3.2) to the full flame position marked by the  symbol (fig. 3.1); hold the knob in until the flame has been lit.  
In the case of a mains failure light the burner with a match or lighted taper.
2. Wait for a few seconds after the gas burner has been lit before letting go of the knob (valve activation delay).
3. Adjust the gas valve to the desired position.

If the burner flame should go out for some reason, the safety valve will automatically stop the gas flow.

To re-light the burner, return the knob to the closed  position, wait for at least 1 minute and then repeat the lighting procedure.

If your local gas supply makes it difficult to light the burner with the knob set to maximum, set the knob to minimum and repeat the operation.

## DEEP FAT FRYING

For safety purposes when deep fat frying, do not fill the pan more than one third full of oil.

DO NOT cover the pan with a lid and DO NOT leave the pan unattended.

In the unfortunate event of a fire, leave the pan where it is and turn off the control knobs.

Place a damp cloth or lid over the pan to smother the flames. Leave the pan to cool for at least 30minutes before moving the pan.

DO NOT USE WATER ON THE FIRE.

## CHOICE OF THE BURNER

On the control panel, near every knob there is a diagram that indicates which burner is controlled by that knob.

The suitable burner must be chosen according to the diameter and the capacity used.

The burners and pans must be used in accordance with the following instructions:

### DIAMETERS OF PANS WHICH MAY BE USED ON THE BURNERS

BURNERS	MINIMUM	MAXIMUM
Auxiliary	6 cm	14 cm
Semi-rapid	16 cm	24 cm
Triple-ring	26 cm	28 cm

**do not use pans with concave or convex bases**

It is important that the diameter of the pot be suitable to the potentiality of the burner so as not to compromise the high output of the burners and therefore energy waste. A small pot on a large burner does not give you a boiling point in a shorter amount of time since the capacity of heat absorption of a liquid mass depends on the volume and the surface of the pot. Too large a pot can cause damage to the burner and surrounding hob area.

**CAUTION:** Make sure the pans are central to the burner for maximum stability and greater efficiency.

Make sure the pans are not in contact with the control knobs, otherwise the flame could overheat the knobs and permanently damage them.

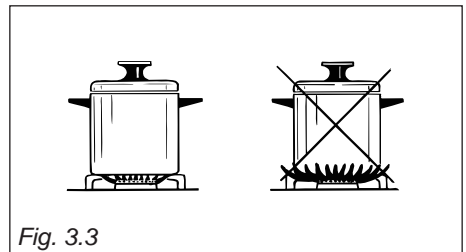


Fig. 3.3

# 4 - HOW TO USE THE MULTIFUNCTION OVEN

**Attention: The oven door becomes very hot during operation. Keep children away.**



## GENERAL FEATURES

As its name indicates, this is an oven that presents particular features from an operational point of view.

In fact, it is possible to insert 8 different programs to satisfy every cooking need.

The 8 positions, thermostatically controlled, are obtained by 4 heating elements which are:

- Bottom element
- Top element
- Grill element
- Circular element

**NOTE:** Upon first use, it is advisable to operate the oven at the maximum temperature (thermostat knob on position 250) for 60 minutes in the position  and for another 15 minutes in the , mode in order to eliminate any traces of grease from the electrical resistances.

Clean the oven and accessories with warm water and washing-up liquid.

Smells and fumes produced during this burn off process are not a cause of alarm. Adequate ventilation should however be provided in the room where the appliance is installed, e.g. by opening a window.

### **WARNING:**

**The door is hot, use the handle.**

### **ATTENTION - MOST IMPORTANT**

**Pay special attention not to touch the hot heating element inside the oven cavity.**

**Do not line the oven walls or base with aluminium foil. Do not place baking trays or the drip tray on the base of the oven chamber.**

## OPERATING PRINCIPLES

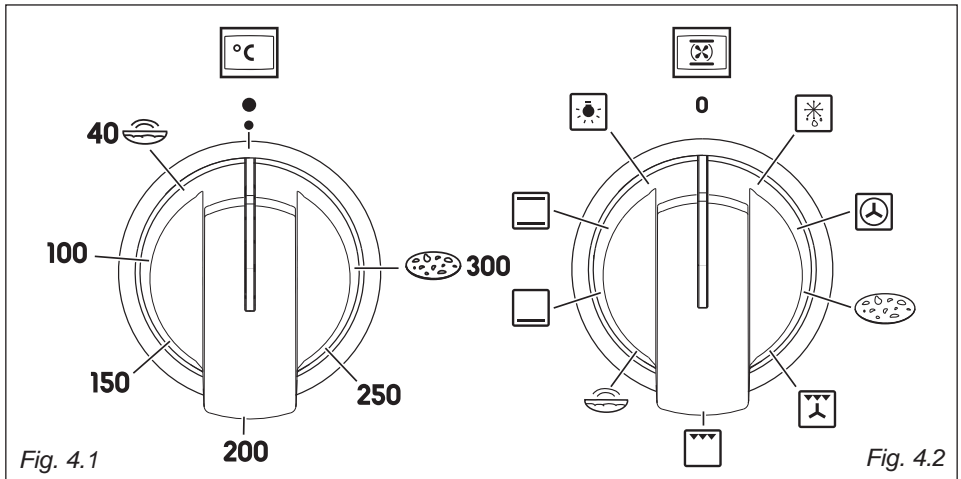
Heating and cooking in the conventional oven are obtained:

- by normal convection**  
The heat is produced by the upper and lower heating elements.
- by forced convection**  
A fan draws in the air contained in the oven, which circulates it through the circular heating element and then forced back into the oven by the fan. Before the hot air is drawn back again by the fan to repeat the cycle, it envelops the food in the oven, provoking a complete and rapid cooking. It is possible to cook several dishes simultaneously.
- by semi-forced convection**  
The heat produced by the upper and lower heating elements is distributed throughout the oven by the fan.
- by radiation**  
The heat is radiated by the infra red grill element.
- by radiation and ventilation**  
The radiated heat from the infra red grill element is distributed throughout the oven by the fan.
- by ventilation**  
The food is defrosted by using the fan only function without heat

Before introducing the food, preheat the oven to the desired temperature.

For a correct preheating operation, it is advisable to remove the tray from the oven and introduce it together with the food, when the oven has reached the desired temperature.

Check the cooking time and turn off the oven 5 minutes before the theoretical time to recuperate the stored heat.



**NOTE: The knob and symbols may vary.**

**THERMOSTAT KNOB** (fig. 4.1)

To turn on the heating elements of the oven, set the function selector knob on the desired program and the thermostat knob on the desired temperature. To set the temperature, it is necessary to make the knob indicator meet the chosen number. The elements will turn ON or OFF automatically according to the energy need which is determined by the thermostat. The thermostat indicator light on the control panel will illuminate when the oven is switched on and turns off when the oven reaches the correct temperature. The light will cycle on and off during cooking.

**FUNCTION SELECTOR KNOB** (fig. 4.2)

Rotate the knob clockwise to set the oven for one of the following functions:

 **OVEN LIGHT**

By turning the knob onto this setting we light the oven cavity. The oven remains alight while any of the functions is on.

 **TRADITIONAL CONVECTION COOKING**

The upper and lower heating elements are switched on. The heat is diffused by natural convection and the temperature must be regulated between 40°C and the maximum position with the thermostat knob. It is necessary to preheat the oven before introducing the foods to be cooked.

**Recommended for:**

For foods which require the same cooking temperature both internally and externally, i. e. roasts, spare ribs, meringue, etc.



## LOWER HEATING ELEMENT

Only the lower element is switched on. Heat is distributed by natural convection. The thermostat can be set between 40°C and 250°C Maximum.

### Recommended for:

This mode is particularly suitable to complete cooking of dishes that require higher temperature at the bottom.



## LEAVENING - UPPER HEATING ELEMENT

In this position only the upper element is switched on. Heat is distributed by natural convection.

For normal cooking the temperature must be regulated between 40 and 250°C Maximum, Leavening is carried out at 40°C.

### Recommended for:

This mode is particularly suitable to complete cooking of dishes that require higher temperature at the top; for faster, more even leavening, all types of flour-based doughs and fresh, home-made pasta



## GRILLING

The infrared grill element at the top of the oven and the rotisserie come on. The heat is dispersed by radiation.

**Use with the oven door closed** and the temperature must be regulated **between 40°C and 225°C maximum** with the thermostat knob.

For cooking hints, see the chapter "USE OF THE GRILL".

**Always grill with the oven door closed.**

### Recommended for:

Intense grilling, browning, cooking au gratin and toasting, cooking with the rotisserie, etc.



## VENTILATED GRILL COOKING

The infra-red grill and the fan are on. The heat is mainly diffused by radiation and the fan then distributes it throughout the oven.

**Use with the oven door closed** and the temperature must be regulated **between 40°C and 225°C maximum** with the thermostat knob.

It is necessary to preheat the oven for about 5 minutes.

For correct use see chapter "GRILLING AND COOKING AU GRATIN".

**Always grill with the oven door closed.**

### Recommended for:

For grill cooking when a fast outside browning is necessary to keep the juices in, i. e. veal steak, steak, hamburger, etc.



## BREAD/PIZZA - CONVECTION COOKING WITH VENTILATION

The upper and lower heating elements and the fan turn on.

The heat coming from the top and bottom is diffused by forced convection.

The temperature must be regulated between 40°C and the maximum position with the thermostat knob.

### **Recommended for:**

For foods of large volume and quantity which require the same internal and external degree of cooking; for ie: bread, pizza, rolled roasts, turkey, legs, cakes, etc.



## HOT AIR COOKING

The circular element and the fan are on. The heat is diffused by forced convection and the temperature must be regulated between 40°C and 250 °C with the thermostat knob.

It is not necessary to preheat the oven.

Cooking temperature may be reduced for fan assisted ovens, see “OVEN TEMPERATURE GUIDE”.

### **Recommended for:**

For foods that must be well done on the outside and tender or rare on the inside, i. e. lasagna, lamb, roast beef, whole fish, etc.



## DEFROSTING FROZEN FOODS - ECO FUNCTION (ENERGY SAVING)

With the thermostat knob on “●” only the oven fan is on.

The defrosting is done by simple ventilation without heat.

### **Recommended for:**

To rapidly defrost frozen foods; 1 kilogram requires about one hour.

The defrosting times vary according to the quantity and type of foods to be defrosted.

### **ECO FUNCTION (ENERGY SAVING):**

The upper and lower heating elements and the fan turn on.

The heat coming from the top and bottom is diffused by forced convection.

This function reduces the appliance's energy consumption, it is therefore particularly beneficial for the gentle cooking of small quantities of food on a single shelf.

It is not necessary to preheat the oven and use with the oven door closed.

Cooking times may be longer than standard functions.

Do not use this function to preheat the oven.

### **Recommended for:**

Foods that require gentle cooking. To keep foods hot after cooking. To slowly heat already cooked foods

# OVEN TEMPERATURE GUIDE

Cooking process	Oven heat	Gas mark	Electric oven temperature	
			°C	°F
Keeping food hot, milk puddings	very cool	½	120	250
Egg custards	cool	1	140	275
Rich fruit cakes, braising	cool	2	150	300
Low temperature roasting, shortbread	moderate	3	160	325
Victoria sandwich, plain fruit cake, baked fish	moderate	4	180	350
Small cakes, choux pastry	fairly hot	5	190	375
Short pastry, Swiss rolls, soufflés	fairly hot	6	200	400
High temperature roasting, flaky pastry, scones	hot	7	220	425
Puff pastry, bread	very hot	8	230	450
Small puff pastries, browning cooked foods	very hot	9	240	475

These temperatures relate to the centre oven temperature.

Remember to use ovenproof dishes and to adjust the oven temperature during cooking if necessary.

**NOTE:** Reduce the oven temperature by 10 – 20°C for fan assisted ovens. For dishes that take over an hour to cook, reduce the cooking time by 10 minutes per hour.

# PIZZA STONE


## **TIPS ON GETTING THE MOST OUT OF YOUR STONE, AND KEEPING IT IN PERFECT CONDITION**

The Pizza Stone is a fire-stone made exclusively from natural minerals, resistant to high temperatures (over 600°C), for baking bread, focaccia, pies, and any flour-based product, especially pizza, in your home oven, delivering the same quality and results as professionals in bakeries and pizzerias.

There are two secrets to this stone:

1. Due to the natural porosity and millions of micro pores, the stone absorbs the humidity of the dough during the cooking process, so the bread or pizza dough dries properly, becoming crispy and crunchy, especially the crust.
2. **It retains heat** while the oven is preheated, and then releases it during the cooking process, as intense, uniform and constant heat to cook the pizza evenly on the inside. With this stone, you will never again have semi-cooked or raw dough in the middle!

## **FOLLOW THIS QUICK GUIDE FOR PERFECTLY COOKED PIZZAS IN FEW MINUTES!**

1. PLACE THE PIZZA STONE ON THE GRILL WITH THE SMOOTH SIDE UP. Place the grill in the middle of the oven.
2. TURN ON, AND PREHEAT THE PPP OVEN WITH THE STONE INSIDE. Turn the handle to PIZZA  (equivalent to convection baking) and select the temperature of 300°C. Let the oven and stone heat for at least 30 minutes. In the meantime, knead the dough and prepare the sauce and other ingredients to top the pizza.
3. ALLOW THE OVEN TO HEAT FOR AT LEAST HALF AN HOUR, THEN PLACE THE PIZZA ONTO THE PIZZA STONE. You do not need to sprinkle the Pizza Stone with flour, or grease it with oil of any type, the stone's surface will prevent the pizza from sticking. You can cook fat free.
4. COOK THE PIZZA FOR 4 MINUTES. Margherita style pizza will be ready in 4 minutes. For pizzas with thick dough and lots of toppings, 6 minutes is recommended. You can adjust the cooking time according to your personal tastes for a softer or harder crust. The pizza is done when it looks cooked, with the edges risen, crispy and browned.
5. WHEN THE COOKING IS COMPLETE, LEAVE THE STONE IN THE OVEN TO COOL COMPLETELY. We recommend keeping the stone in the oven, because it provides a “stone-baked” effect that helps retain and then release heat uniformly. You can put ovenware, saucepans and cookie trays directly onto the stone to absorb heat, therefore it can even be used with the oven off (saving energy) to keep hot inside the oven and keep food warm without having to keep the oven on.

## TIPS FOR KEEPING THE PIZZA STONE CLEAN OVER TIME

**Do not worry if the stone gets stained.** It is completely normal, and in fact inevitable, due to the natural porous nature of the material. Do not attempt to wash stains off, because they are permanent, and represent “character marks”, something to show off your culinary skills. Like certain cooking tools, the more it is used, the more it ages, delivering results that improve over time.

**Utmost hygiene and safety.** The Pizza Stone is entirely natural, safe, certified, and hygienic, thanks to the high temperature it is exposed to during every heating cycle, it “sterilizes” itself.

**As needed, use a utensil such as a metal spatula or knife to remove any residue from the surface of the stone (e.g. burned mozzarella).** Clearly, this must be done after having verified that the stone has cooled sufficiently to be handled.

**Never use washing up liquid on the stone.** Rinse with water only. Use a clean wet sponge to remove food residue from the stone. Do not attempt to remove greasy spots from the stone, or dark stains cause by combustion of the dough, they will not come off because of the porosity of the stone. Instead, leaving the stone in a cleaned but used state prevents things from sticking to the surface and therefore easier to use.

**Never soak the stone.** A simple rinse should be sufficient. If the stone absorbs too much liquid when cold, it might break the next time it is heated in the oven.

**Never use butter or other fats to cook on the stone.** Not only might they burn, it will also create smoke inside the oven.

To make a pizza or bread, first prepare a dough using water, yeast and flour, and allow to leaven inside a container for some hours before topping and placing in the oven.

**With the DE'LONGHI oven, dough leavening times are also quicker.**

## **LEAVENING FUNCTION**



The leavening function cuts the leavening time, and makes the dough uniform, elastic and easy to knead.

Compared to leavening on a surface in a room, dough leavened in the oven using our special function rises better and more quickly, saving you time and helping you make perfect dough for tasty, soft and fragrant pizzas.

Put the ball of dough into a plastic or glass oven proof container, covered with plastic film or a damp cloth, and place it on a grill in the lower level.

Turn the control knob to the “leavening” icon, and set the temperature to 40 degrees by turning the other control knob to the thermostat icon.

The dough is ready when it has doubled in size and the surface feels soft and elastic. This will depend greatly on the type of dough and the type of flour in the dough, and the ambient temperature in summer or winter.

Do not let the dough leavening for more than 3 hours.

## **BAKING BREAD**

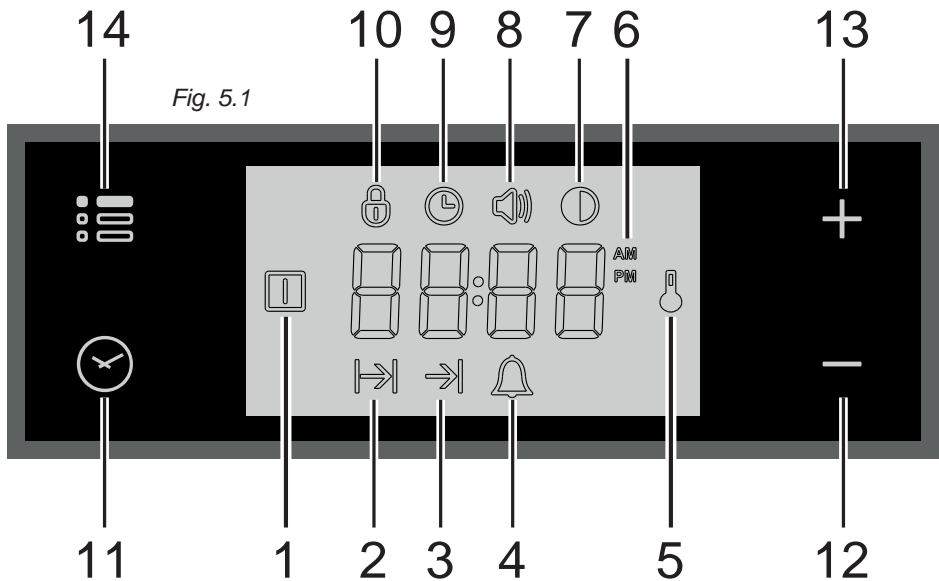


Thanks to the Pizza Stone, all types of bread and flour products can be baked with excellent results. Crispy, fragrant, dry and soft.

The ideal function recommended is “TRADITIONAL CONVECTION COOKING” at 250°C. To get to temperature sooner while preheating, we recommend selecting the function “convection fan cooking (which is the PIZZA function)”, and letting the oven preheat for at least 25 minutes, always to the temperature of 250° C. Then when it is time to place the food in the oven, select the function TRADITIONAL CONVECTION COOKING.

DO NOT USE the pizza function and do not set temperature higher than 250°C to avoid burning the bread and leave it raw on the inside. Because bread dough is very compact and dense, and it needs to cook evenly, it requires an intense, but more drawn out cooking process to give it a long cooking time, rather than cooking too quickly.

## 5 - ELECTRONIC CLOCK "TOUCH-CONTROL"



### Description of display symbols:

1. Oven on
2. Cooking time
3. End of cooking time
4. Timer
5. Oven temperature
6. AM/PM time format
7. Screen brightness
8. Acoustic signal volume
9. Time of day setting
10. Programmer 'touch' control panel key lock

### Description of the 'touch control' panel symbols:

11. Program selection
12. Digit backward setting for all functions
13. Digit forward setting for all functions
14. Menu selection

**IMPORTANT NOTE:** When using the timer and during a semi-automatic or automatic cooking, the countdown of the function with less time remaining prevails on the display.

### ATTENTION - MOST IMPORTANT:

#### ELECTRONIC PROGRAMMER DISPLAY CLEANING

Strictly follow the information indicated in the chapter "CLEANING AND MAINTENANCE".

## “TOUCH-CONTROL” KEYS

The “touch-control” keys shall be operated by the fingers (just by touching the key).

When using touch controls it is best to use the ball of your finger rather than the tip.

Program and menu selection: after starting the procedure, the selection is automatically deactivated after approx. 5 seconds from the last touch on the display.

## SETTING THE CLOCK

When connecting for the first time, or after a power failure, the word “OFF” flashes on the display and the “🕒” symbol is lit. Adjust the time touching the “+” or “-” key.

**Important: The oven does not operate, in manual cooking, without first having set the clock.**

To change the time with the appliance already installed, touch the “🕒” key for more than 2 seconds, then touch it again until the “🕒” symbol flashes. Then adjust the time, within 5 seconds, using the “+” or “-”.

**Important: It is not possible to adjust the clock if a cooking program is in progress.**

## USING THE TIMER

You can use the timer at any time, even when the oven is not in use.

**ATTENTION - MOST IMPORTANT: This is only an alarm that DOES NOT switch off the oven or grill.**

**REMEMBER TO TURN OFF THE OVEN/GRILL MANUALLY.**

The timer can be set for a maximum time of 23 hours and 59 minutes.

1. To set the timer, with the appliance already connected, touch the “🕒” key (several times) until the “🔔” symbol flashes on the display. Set the time (increase in minutes) within 5 seconds using the “+” or “-” key. At the end of the adjustment the display shows the countdown.
2. At the end of the count, the timer starts beeping and the “🔔” symbol flashes on the display. Touch any key to turn off the acoustic signal that would otherwise stop after 7 minutes.
3. Turn the oven off manually (switch and thermostat knobs in the off position) if you do not wish to continue with manual cooking.

To reset the timer in operation at any time:

- 1A. Only timer function active (no semi-automatic or automatic cooking in progress): touch the “🕒” key for 3 seconds..
- 1B. With semi-automatic or automatic cooking in progress: touch the key several times “🕒” until the “🔔” symbol flashes on the display. Then touch the “-” key within 5 seconds until “00:00” appears on the display.
2. The time of day is shown on the display.

## SEMI-AUTOMATIC COOKING

This is used to automatically switch off the oven after the desired cooking time has elapsed. Check the clock shows the correct time.

The semi-automatic cooking program can be set for a maximum period of 10 hours.

1. Select the function and temperature (function and temperature knobs). The oven will come on.
2. Touch the "☺" key until the "⏸" symbol flashes on the display. Set the cooking time (increase in minutes - consider the preheating time, if necessary) within 5 seconds using the "+" or "-". At the end of the adjustment the display shows the countdown.
3. At the end of the count the oven turns off, the timer starts beeping, the "⏸" symbol flashes and the word "End" appears on the display.
4. Turn the temperature and function knobs to the off position.
5. Touch the "☺" key to deactivate the acoustic signal (which otherwise will stop after 7 minutes) and to return the programmer to manual mode (the time is shown on the display). If instead the acoustic signal is deactivated with one of the other keys, after deactivation also touch the "☺" key to return the programmer to manual mode (the time is shown on the display).

To cancel the semi-automatic cooking program at any time:

- 1A. Only semi-automatic cooking function active (no timer in use): touch the "☺" key for 3 seconds, the "⏸" symbol and the word "End" (fine) are shown on the display.
- 1B. With active timer: touch the "☺" key several times until the "⏸" symbol flashes. Then touch the "-" key within 5 seconds until "00:00" appears on the display, replaced after a few seconds by the "⏸" symbol and the word "End".
2. Touch the "☺" key again to return the programmer to manual mode (the time of day is shown on the display). If cooking is finished turn the temperature and function knobs to the off position, otherwise continue cooking and then remember to turn the oven off manually.

## AUTOMATIC COOKING

Use automatic cooking to automatically turn the oven on, cook, and then turn the oven off. Check the clock shows the correct time.

1. Select the function and temperature (function and temperature knobs). The oven will come on.
2. Decide the cooking time considering the preheating time, if necessary, and set it as described above in the "SEMI-AUTOMATIC COOKING" chapter.
3. Touch the "☺" key several times until the "⏸" symbol appears on the display. Then set the time at which you want the oven to turn off, touching the "+" or "-" key.
4. If the cooking is not started immediately, the display shows the current time of day and the "⏸" and "⏸" symbols. The oven turns off but now it is set for automatic operation.
  - To check the cooking time, touch the "☺" key once, the "⏸" symbol flashes.
  - To check the turn-off time, touch the key ☺ several times until the ⏸ symbol flashes.

To cancel the automatic cooking program at any time, proceed as described in the “SEMI-AUTOMATIC COOKING” chapter.

Turn the temperature and function knobs to the off position, otherwise continue cooking and then remember to turn the oven off manually.

### **ATTENTION - VERY IMPORTANT (AUTOMATIC OR SEMI-AUTOMATIC COOKING):**

**If a very short power interruption occurs, the oven keeps the programming.**

**If the interruption is instead longer than a few tens of seconds, the automatic cooking is cancelled. In this case, turn the temperature and function knobs to the off position and restart programming if necessary.**




## **USER PREFERENCES SETTINGS**

### **PROGRAMMER ‘TOUCH CONTROL’ PANEL KEY LOCK**




This function is used to prevent the accidental touch of the programmer selection keys and to avoid unintentionally activating or modifying its functions.

The key lock can be activated at any time, with a cooking in progress or with the oven off.

To lock:



- Touch the " " key for more than 2 seconds until the " " indicator light starts flashing. Then touch the “+” key to activate the key lock, the word "On", appears on the display, wait a few seconds until the operation is completed. When this function is active, the " " indicator light is on.

To unlock:

- Touch the " " key for more than 2 seconds until the " " indicator light starts flashing. Then touch the “-” key to deactivate the key lock, the word "OFF" appears on the display, wait a few seconds until the operation is completed. When this function is not active, the " " indicator light is off.



### **ACOUSTIC SIGNAL TONE SETTING**

It is possible to select three sound tones.

- Touch the " " key for more than 2 seconds, then touch the same key several times until the " " symbol flashes.
- Touch the “+” or “-” key; the display shows the tone set (“b-01”, “b-02” or “b-03”).
- The last tone displayed remains active.

## SCREEN BRIGHTNESS SETTING

It is possible to select three brightness levels.

- Touch the " " key for more than 2 seconds, then touch the same key several times until the " " symbol flashes.
- Touch the "+" or "-"; key; the display shows the brightness set ("d-01", "d-02" or "d-03").
- The last brightness displayed remains active.

## TIME FORMAT

It is possible to choose the 24 hour or 12 hour clock format.

- To activate the 12 hour format, touch the "+", key for more than 5 seconds until the "AM" or "PM" symbol is activated.
- To activate the 24 hour format, touch the "+", key for more than 5 seconds until the "AM" or "PM" symbol is deactivated.

## 6 - CLEANING AND MAINTENANCE

### GENERAL ADVICE

- **Before you begin cleaning, you must ensure that the appliance is switched off at the cooker switch.**
- The periodical lubrication of the gas taps must be done only by specialized personnel.
- If a tap becomes stiff, do not force; contact your local After Sales Service Centre.
- It is advisable to clean when the appliance is cold and especially when cleaning the enamelled parts.
- Avoid leaving alkaline or acidic substances (lemon juice, vinegar, etc.) on the surfaces.
- **Avoid using cleaning products with a chlorine or acidic base.**
- **Important: The use of suitable protective clothing/gloves is recommended when handling or cleaning this appliance.**
- **Under no circumstances should any external covers be removed for servicing or maintenance except by suitable qualified personnel.**
- **Cleaning electronic programmer display:** Clean the programmer display using a soft cloth, warm water and neutral soap, or a soft cloth with a liquid detergent (non-abrasive). When cleaning, be careful to move the cloth in one direction only. Then wipe the display with a damp cloth and dry it with a soft cloth.  
**IMPORTANT: DO NOT use chlorine-based or acid-based cleaning products, abrasive products or non-neutral detergents as they may cause irreparable damage to the surface. DO NOT spray cleaning liquids directly on the programmer display.**
- **Stainless steel hob:** Spillage on the hob can usually be removed by a damp soapy cloth. More obstinate stains can be removed by using a proprietary stainless steel cleaning product that does not contain chlorine or acidic base.
- **Control panel facia:** Clean very carefully with water and neutral soap; the cloth used must be rinsed well and must be free of any cleaning chemicals to avoid damaging any screen print on the facia

### WARNING:

When correctly installed, your product meets all safety requirements laid down for this type of product category. However special care should be taken around the rear or the underneath of the appliance as these areas are not designed or intended to be touched and may contain sharp or rough edges, that may cause injury.

**Important: The manufacturer declines all liability for possible damage caused by the use of unsuitable products to clean the appliance.**

### Attention!

The appliance gets very hot, mainly around the cooking areas. It is very important that children are not left alone in the kitchen when you are cooking.

Do not use a steam cleaner because the moisture can get into the appliance thus make it unsafe.

Do not use harsh abrasive cleaners or sharp metal scrapers to clean the oven door glass since they can scratch the surface, which may result in shattering of the glass.

- **Door, glass & painted surfaces:** Clean very carefully with water and neutral soap; the cloth used must be rinsed well and must be free of any cleaning chemicals.
- **Pan stands & burner caps:** Clean with a sponge and soapy water or proprietary cream cleaner. Always dry thoroughly. **DO NOT PUT IN THE DISHWASHER.**
- **Burner bodies (aluminium alloy):** They should be cleaned with soapy water and a clean cloth. For stubborn stains a proprietary cream or stainless steel cleaner may be used; however to maintain a uniform finish we would recommend the whole area is cleaned. **NOTE:** Please ensure the slots/castellations are kept free of the any material/cleaner.
- **Inside of oven:** The oven should always be cleaned after use when it has cooled down. The cavity should be cleaned using a mild detergent solution and warm water. Suitable proprietary chemical cleaners may be used only on enamel after first consulting the instructions supplied with the oven cleaner and testing a small sample on the oven cavity. Abrasive cleaning agents or scouring pads/cloths should not be used on the cavity surface.

**NOTE:** The manufacturers of this appliance will accept no responsibility for damage caused by chemical or abrasive cleaning.

**Let the oven cool down and pay special attention not to touch the hot heating elements inside the oven cavity.**

## BURNERS AND PAN SUPPORTS

These parts must be cleaned using a sponge and soapy water or other suitable non-abrasive products. Dry with a soft cloth.

**Warning! Not dishwasher safe.**

After cleaning, the burners and their flame spreaders must be well dried and correctly replaced.

It is very important to check that the burner flame spreader and the cap have been correctly positioned. Failure to do so can cause serious problems with correct combustion and may cause irreversible damage to the hob surface.

Check that the electrode “S” (figs. 6.1, 8.3) next to each burner is always clean to ensure trouble-free sparking.

Check that the probe “T” (figs. 6.1, 6.3) next to each burner is always clean to ensure correct operation of the safety valves.

**Both the probe and ignition plug must be very carefully cleaned.**

**Note: To avoid damage to the electric ignition do not use it when the burners are not in place.**

**Note: Continuous use may cause a change in the glaze around the burners and grids, corresponding to the areas exposed to the heat. This is a natural phenomenon and does not prevent the parts from working properly.**

## CORRECT REPLACEMENT OF THE AUXILIARY AND SEMI-RAPID BURNERS

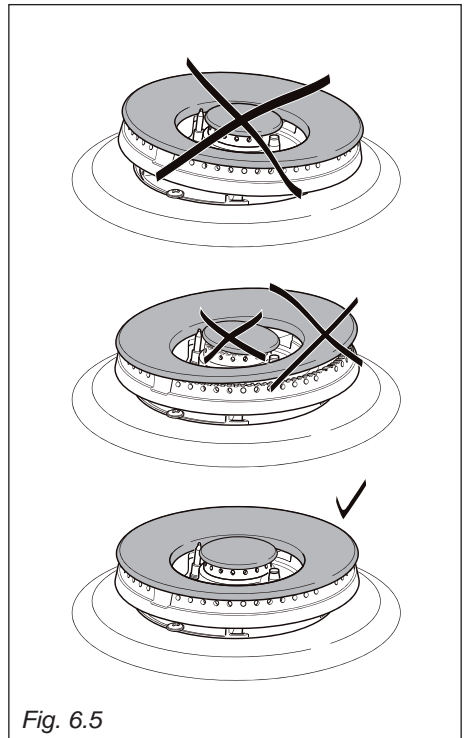
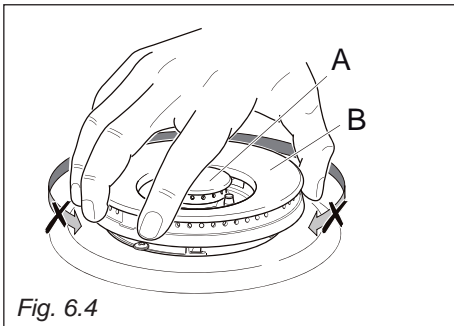
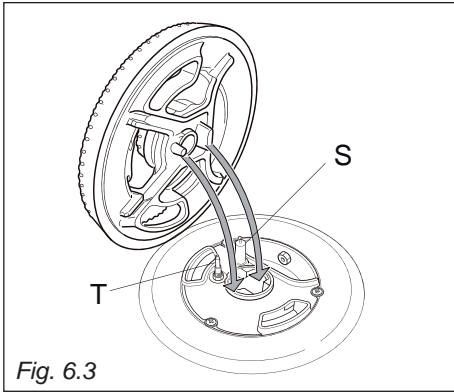
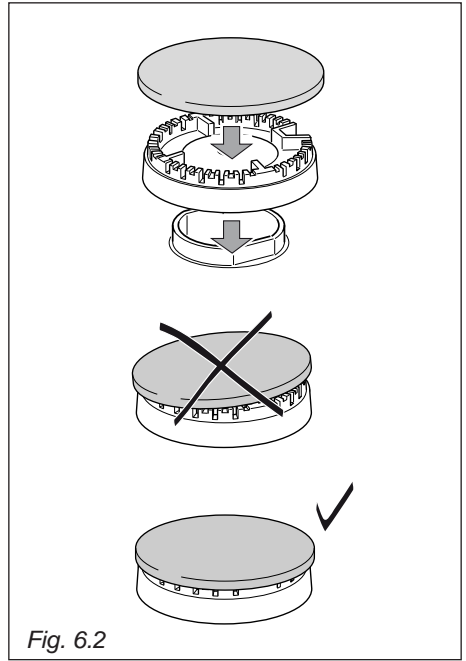
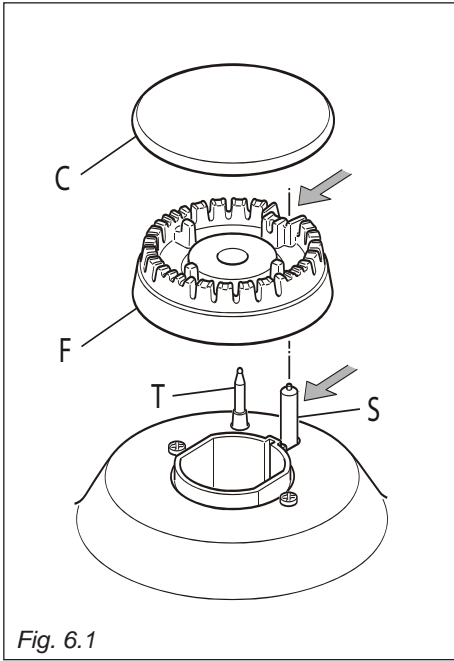
It is very important to check that the burner flame distributor “F” and the cap “C” have been correctly positioned (see figs. 6.1, 6.2) - failure to do so can cause serious problems with correct combustion and may cause irreversible damage to the hob surface.

## CORRECT REPLACEMENT OF THE TRIPLE RING BURNER

The triple ring burner must be correctly positioned (see fig. 6.5); the burner rib must be enter in their logement as shown by the arrow (see fig. 6.3).

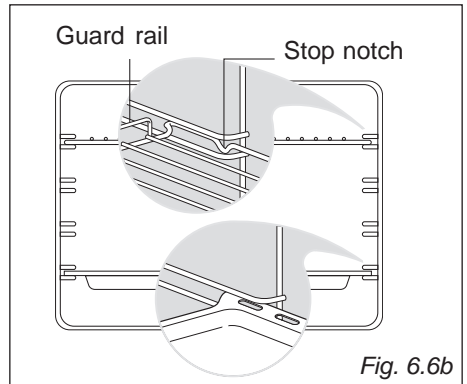
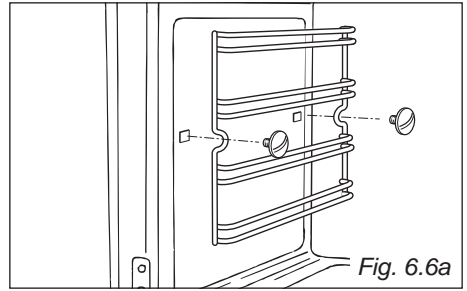
Then position the cap “A” and the ring “B” (figs. 6.4, 6.5).

The burner correctly positioned must not rotate (fig. 6.4).



## ASSEMBLY AND DISMANTLING OF THE SIDE RUNNER FRAMES

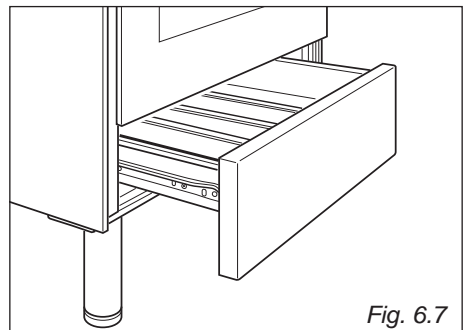
- Assemble the wire racks to the oven walls using the 2 screws (fig.6.6a).
- Slide into the guides, the shelf and the tray (fig. 6.6b).  
The rack must be fitted so that the safety notch, which stops it sliding out, faces the inside of the oven; the guard rail shall be at the back.
- To dismantle, operate in reverse order.



## DRAWER

The drawer (fig. 6.7) comes out like a normal drawer.

**Do not store flammable material in the oven or in the drawer.**



## TELESCOPIC SLIDING SHELF SUPPORTS

The telescopic sliding shelf support makes it safer and easier to insert and remove the oven shelf.

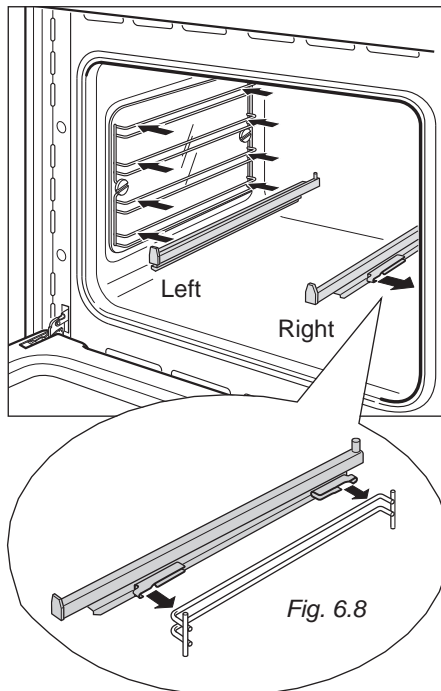
It stops when it is pulled out to the maximum position.

**Important! When installing the sliding shelf support, make sure that you fit:**

- The slides to the top wire of a rack. They do not fit on the lower wire.
- The slides so that they run out towards the oven door.
- Both sides of each pair of shelf slides.
- Both sides on the same level.

To fix the sliding shelf supports onto the side racks:

- Fit the side runner frames into the holes on the side walls inside the oven. (fig. 6.6a).
- Fit the sliding shelf supports onto the top wire of a rack and press (fig. 6.8). You will hear a click as the safety locks clip over the wire.

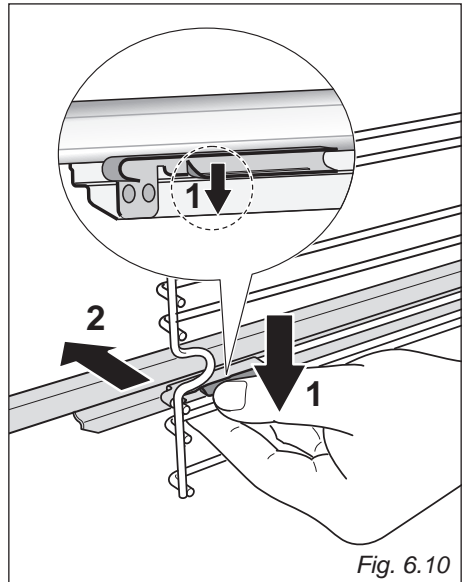
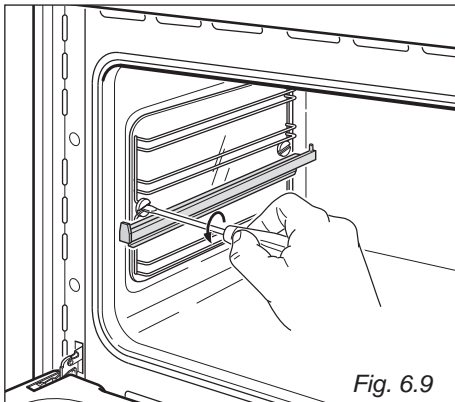


To remove the telescopic sliding shelf supports:

- Remove the side racks by unscrewing the fixing screws (fig. 6.9).
- Lay down the telescopic sliding shelf support and side racks, with the telescopic sliding shelf support underneath.
- Find the safety locks. These are the tabs that clip over the wire of the side rack (arrow 1 in fig. 6.10).
- Pull the safety locks away from the wire to release the wire (arrow 2 in fig. 6.10).

Cleaning the sliding shelf supports:

- Wipe the supports with a damp cloth and a mild detergent only.
- Do not wash them in the dishwasher, immerse in soapy water, or use oven cleaner on them.



## REPLACING THE OVEN LAMP

**WARNING:** Ensure the appliance is switched off and disconnected from the electrical power supply before replacing the lamp to avoid the possibility of electric shock.

- Let the oven cavity and the heating elements cool down.
- Switch off the electrical supply.
- Remove the protective cover “A” (fig. 6.11).
- Replace the halogen lamp “C” with a new one suitable for high temperatures (300°C) having the following specifications: 220-240V, 50-60Hz and same power (check watt power as stamped in the lamp itself) of the replaced lamp.

**IMPORTANT WARNING:** Never replace the bulb with bare hands; contamination from your fingers can cause premature failure. Always use a clean cloth or gloves.

- Refit the protective cover.

**Note:** Oven lamp replacement is not covered by your guarantee.

The intended purpose of the lamp, fitted on this appliance, is to illuminate the oven cavity and thus help the user to better monitor the food while cooking. This lamp is not suitable for other usage (e.g. environments lighting).

This product contains a light source of energy efficiency class G.

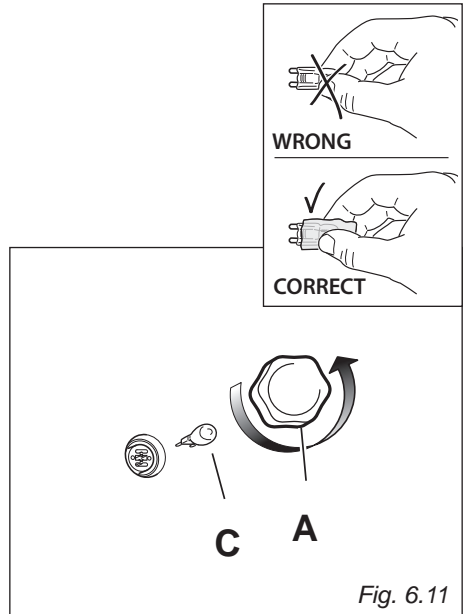
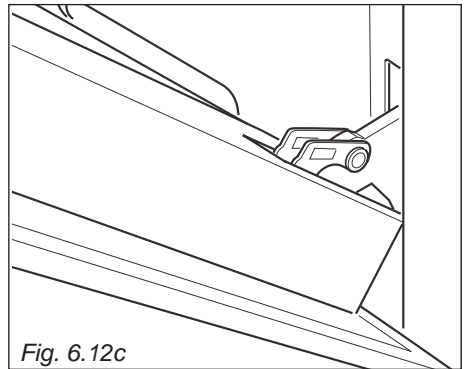
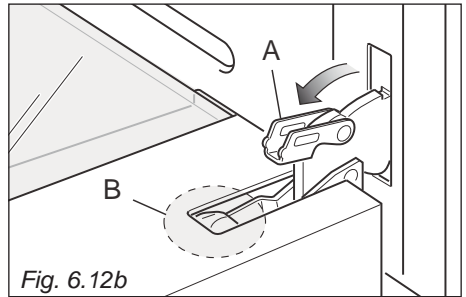
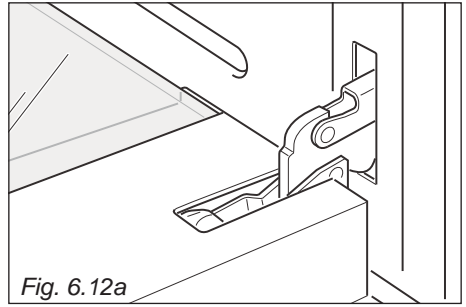


Fig. 6.11

## REMOVING THE OVEN DOOR

The oven door can easily be removed as follows:

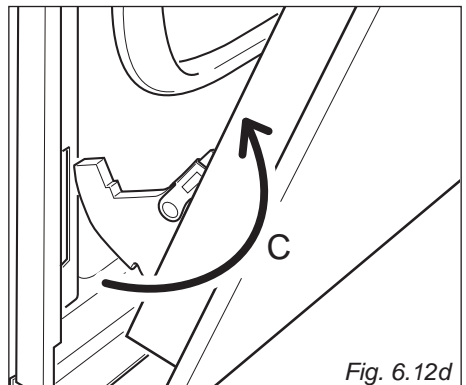
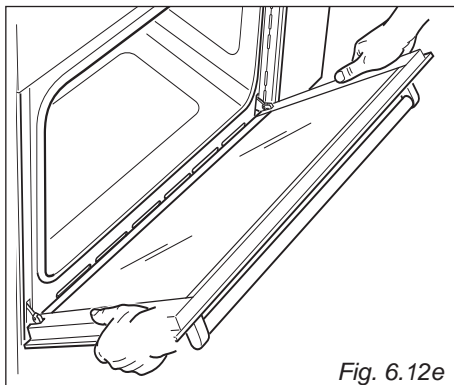
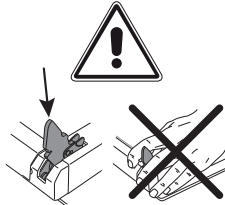
- Open the door to the full extent (fig. 6.12a).
- Open the lever "A" completely on the left and right hinges (fig. 6.12b).
- Hold the door as shown in fig. 6.12e.
- Gently close the door until left and right hinge levers "A" are hooked to part "B" of the door (figs. 6.12b, 6.12c).
- Withdraw the hinge hooks from their location following arrow "C" (fig. 6.12d).
- Rest the door on a soft surface.
- To replace the door, repeat the above steps in reverse order.



### Important!

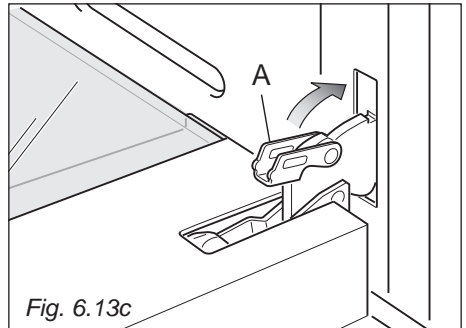
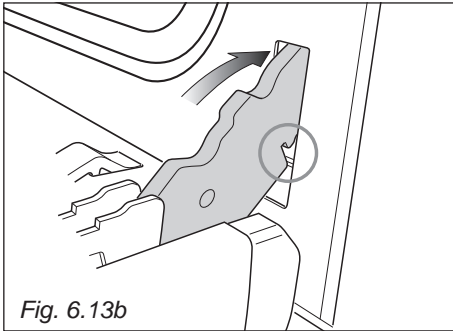
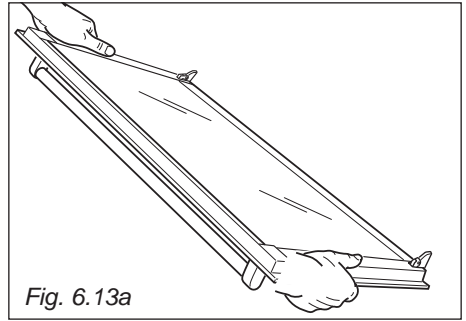
Always keep a safe distance from the door hinges, paying special attention to the position of your hands.

If the door hinges are not correctly hooked, they could unhook and close suddenly and unexpectedly with risk of injury.



## REFIT THE DOOR

- Hold the door firmly (fig. 6.13a).
- Insert the hinge tongues into the slots, making sure that the groove drops into place as shown in the fig. 6.13b.
- Open the door to its full extent.
- Fully close the levers "A" on the left and right hinges, as shown in the figure fig. 6.13c.
- Close the door and check that it is properly in place.



## 7 - GUARANTEE

Your new “De’Longhi” product comes with 12-month guarantee covering all parts and labour.

If your appliance proves to be defective as a result of faulty materials or workmanship during the guarantee period, these parts will be repaired or replaced free of charge.

### AFTER SALES SERVICE

Should you require service, spares or product information and advice:

- Please Telephone 01908 733 010 (Great Britain)  
028 9744 2461 (Northern Ireland - Mon to Fri 9:00am to 5:00pm  
Excluding Bank Holidays)
  - Details of your purchase receipt will be required if you require service within the first 12-month of purchase.
1. The rights and benefits under this guarantee are additional to your statutory rights, which are not affected by this guarantee.
  2. The manufacturer undertakes within the specified period, to repair or replace free of charge any parts of the appliance found to be defective provided that:
    - We are promptly informed of the defect.
    - The appliance is installed and used in accordance with the written instructions enclosed with the appliance.
    - The appliance is used only on an electrical supply as indicated on the rating label fixed to the appliance.
    - The appliance has not been altered in any way or subject to misuse or repaired by a person other than an authorised service agent.
  3. No rights are given under this guarantee to a person acquiring the appliance second hand or for commercial, semi-commercial or communal use.
  4. This guarantee applies throughout the UK and Channel Islands.
  5. Any repaired or replacement appliances will be guaranteed on these terms for the unexpired portion of the guarantee.

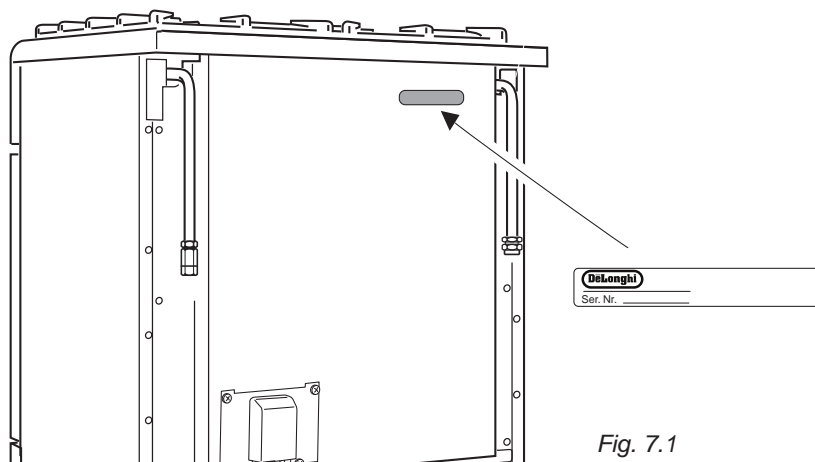


Fig. 7.1



Descriptions and illustrations in this booklet are given as simply indicative. The manufacturer reserves the right, considering the characteristics of the models described here, at any time and without notice, to make eventual necessary modifications for their construction or for commercial needs.

---

[www.delonghi-cookers.co.uk](http://www.delonghi-cookers.co.uk)

