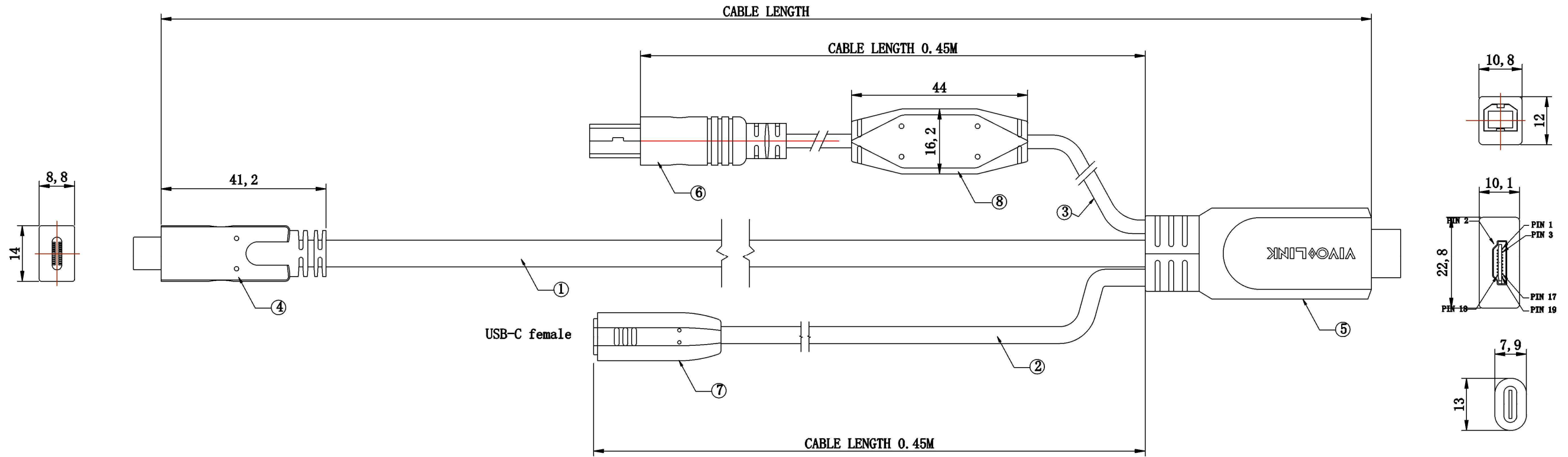


RoHS

| REV. | DESCRIPTION | DATE       |
|------|-------------|------------|
| A    |             | 2024-05-09 |
| B    |             |            |



| NO. | SPECIFICATION                              |
|-----|--|
| ①   | USB-C CABLE                                |
| ②   | USB 2.0 CABLE                              |
| ③   | POWER CABLE                                |
| ④   | USB-C MALE CONNECTOR                       |
| ⑤   | HDMI MALE CONNECTOR                        |
| ⑥   | USB 2.0 TYPE-B MALE CONNECTOR              |
| ⑦   | USB-C FEMALE CONNECTOR (POWER CHARGE ONLY) |
| ⑧   | BUILD-IN AMPLIFIER                         |

| ITEM NO.                  | LENGTH (M) |
|---------------------------|------------|
| PROUSBCHDMIUSBB5-CHARGE   | 5          |
| PROUSBCHDMIUSBB7.5-CHARGE | 7.5        |

### CABLE SPECIFICATION

| USB-C CABLE  | USB 2.0 CABLE  | POWER CABLE   |
|--|--|---|
| <ul style="list-style-type: none"> <li>OUTER JACKET: BLACK TPE OD<math>\phi</math>6.8<math>\pm</math>0.15mm</li> <li>BRAIDING: 96/0.10TC</li> <li>SHIELDING: 20*0.025mmAL</li> <li>POWER WIRE: 14/0.20TC*3C PVC<math>\phi</math>1.3mm</li> <li>SIGNAL WIRE: 1/0.25Cu*4C PE<math>\phi</math>0.5mm</li> <li>SIGNAL WIRE: 1/0.32Cu*1P PE<math>\phi</math>1.0mm</li> <li>SHIELDING: 6*0.01mmMYLA+8*0.025mmAL</li> <li>SIGNAL WIRE: 1/0.41Cu*1P FPE<math>\phi</math>1.18mm</li> <li>SHIELDING: 6*0.01mmMYLA+8*0.025mmAL</li> <li>DRAIN WIRE: 14/0.20TC</li> </ul> | <ul style="list-style-type: none"> <li>OUTER JACKET: BLACK TPE OD<math>\phi</math>5.0<math>\pm</math>0.15mm</li> <li>BRAIDING: 96/0.12mmAM</li> <li>SHIELDING: 12*0.025mmAL</li> <li>SIGNAL WIRE: 1/0.41Cu*1P FPE<math>\phi</math>1.18mm</li> <li>SHIELDING: 10*0.025mmAL</li> <li>SIGNAL WIRE: 7/0.20TC*2C PE<math>\phi</math>1.15mm</li> <li>DRAIN WIRE: 1/0.25Cu</li> </ul> | <ul style="list-style-type: none"> <li>OUTER JACKET: BLACK TPE OD<math>\phi</math>4.0<math>\pm</math>0.15mm</li> <li>BRAIDING: 96/0.12mmAM</li> <li>SHIELDING: 15*0.025mmAL</li> <li>SIGNAL WIRE: (1/0.25Cu*1P)*4 FPE<math>\phi</math>0.7mm</li> <li>DRAIN WIRE: 1/0.25Cu</li> <li>POWER WIRE: 4S/0.12TC PVC<math>\phi</math>1.3mm</li> </ul> |

| TITLE      | USB-C TO HDMI+USB2.0+USB-C POWER CHARGING |          |     |
|------------|---|----------|-----|
| DRAWING NO |   | DRAWER   | 001 |
| REV.       | A   | CHECKED  |     |
|            |   | APPROVED |     |

**VIVO LINK**