

## Floorstanding with Brother Printer Mount

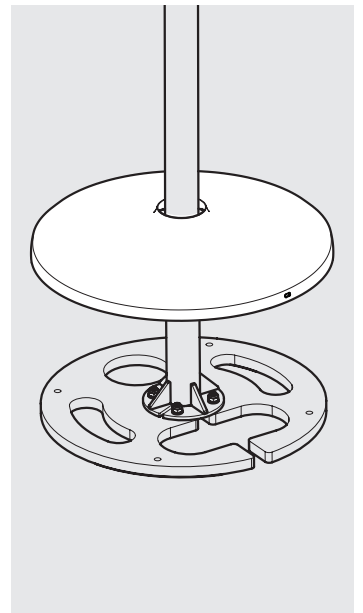
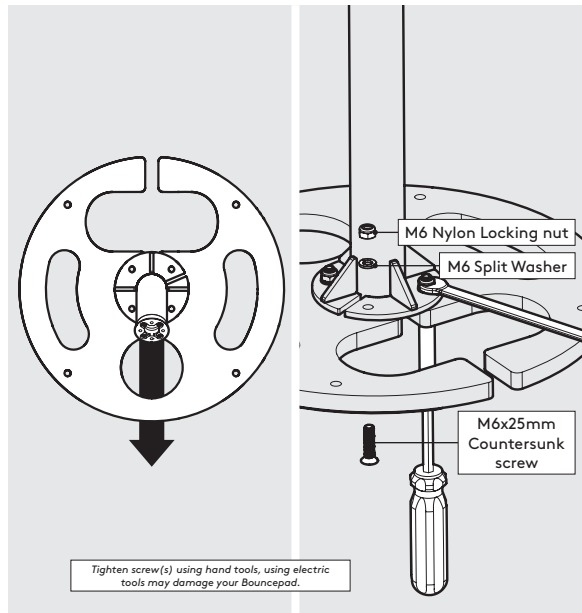
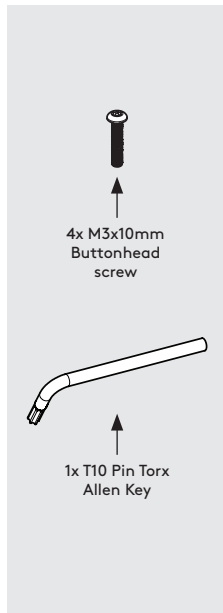
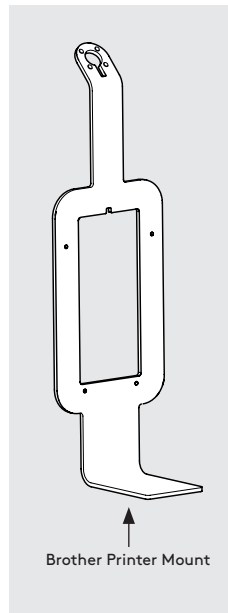
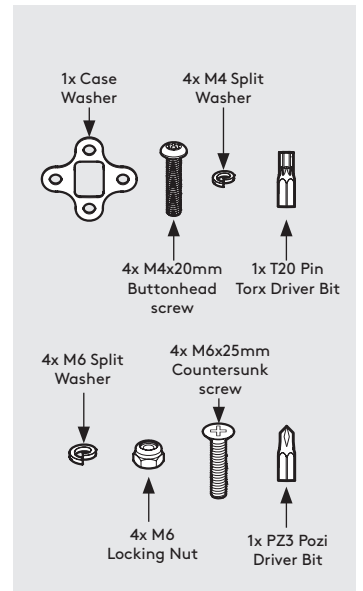
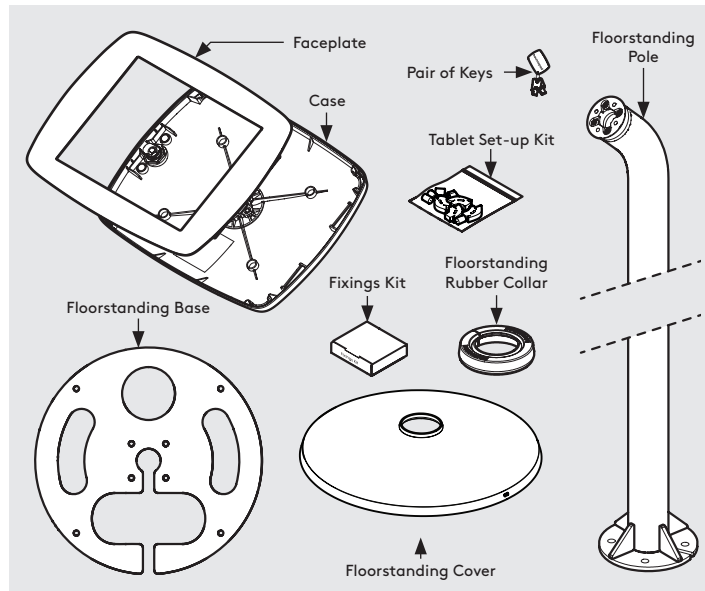
### Assembly Instructions

#### Tools Required:

- Socket Driver
- 10mm Spanner *\*or adjustable spanner*

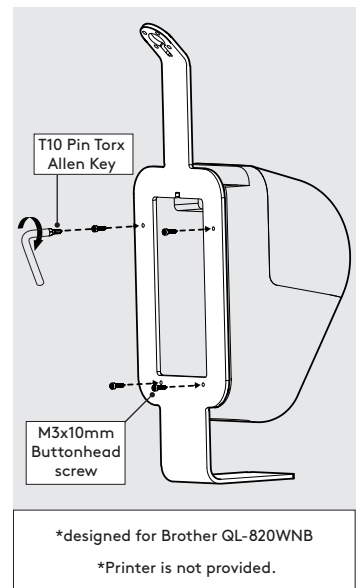
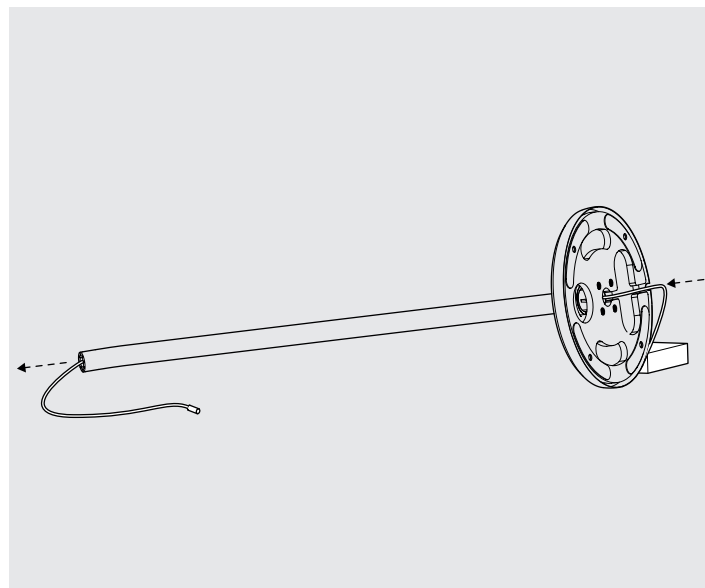
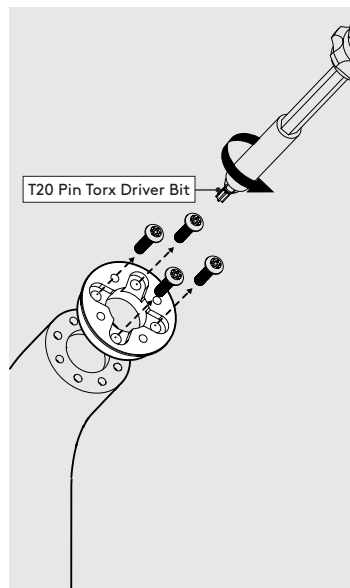
Sheet Code: BP-IM-057\_REV2  
Release Date: 26/03/2024

Copyright 2016 Spotspot Ltd. (T/A Bouncepad) all rights reserved. Confidential, no part of this publication may be reproduced or transmitted in any form without the written permission of the copyright holder.



**1** Orientate, locate and secure the Floorstanding Pole to the Floorstanding Base as shown. Ensure that all fixings are installed correctly.

**2** Locate the Floorstanding Cover over the Floorstanding Pole.

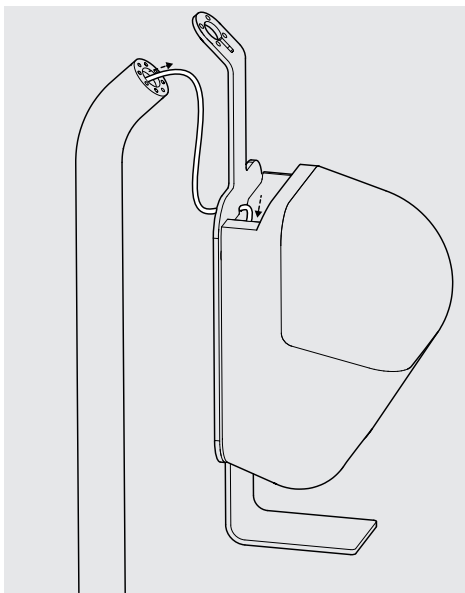


**3** Remove Neck-Ring using T20 driver bit and Socket Driver

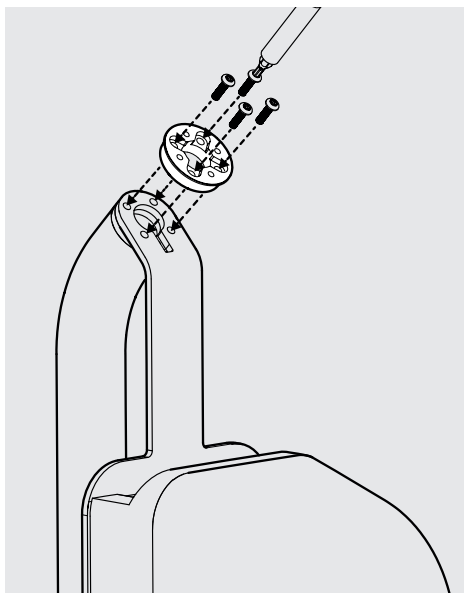
**4** Feed the printer's power cable through the Floorstanding Pole

**5** Attach the printer to the Printer Mount using M3x10mm Screws

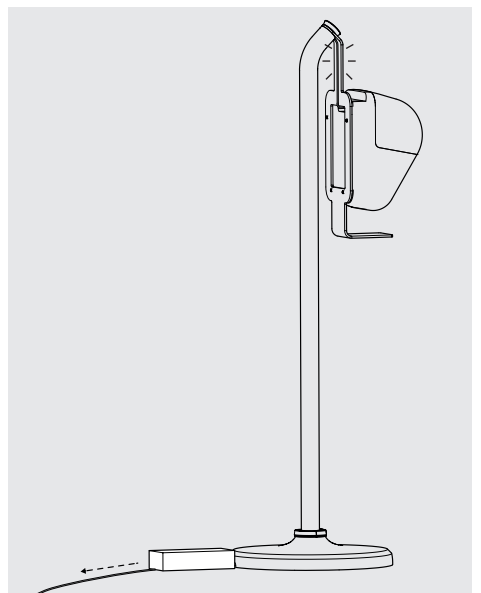
\*designed for Brother QL-820WNB  
\*Printer is not provided.



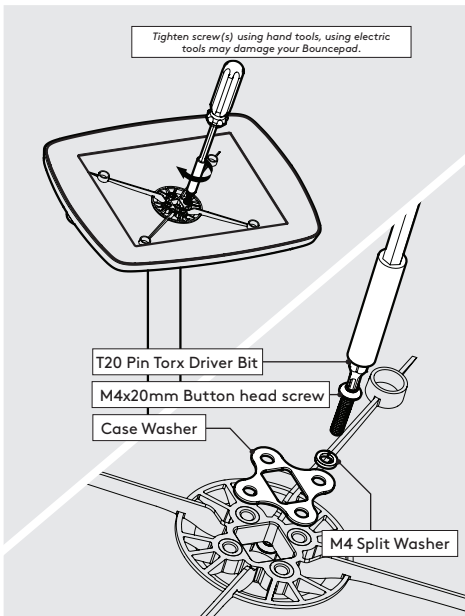
**6** Feed power cable through Printer Mount and plug into Printer



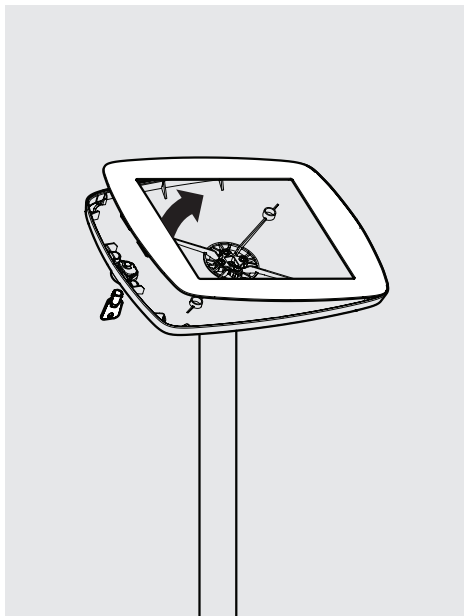
**7** Re-attach Neck-Ring



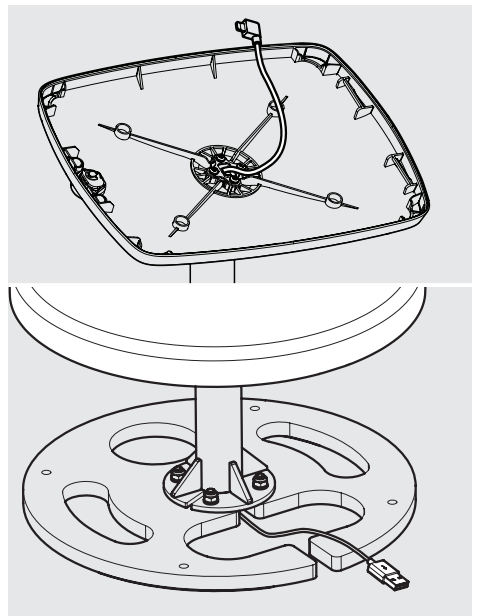
**8** Pull cable back to remove any slack near the Printer Mount



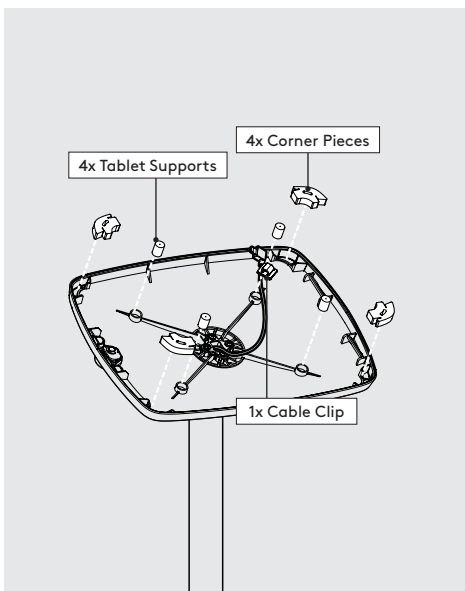
**9** Locate and secure the Case onto the Mounting Arm as shown. Tighten by hand.



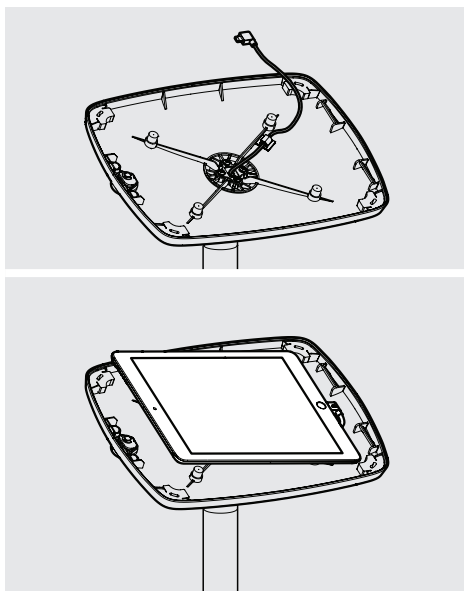
**10** Unlock & remove the Faceplate from the Bouncepad Case.



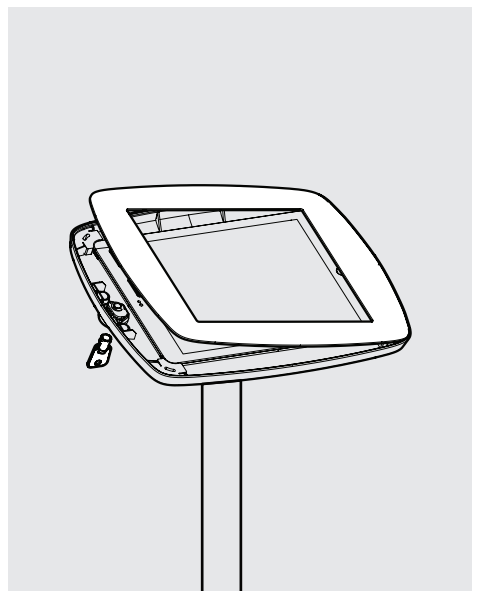
**11** Feed the tablet power cable through the Case & Floorstanding Pole.



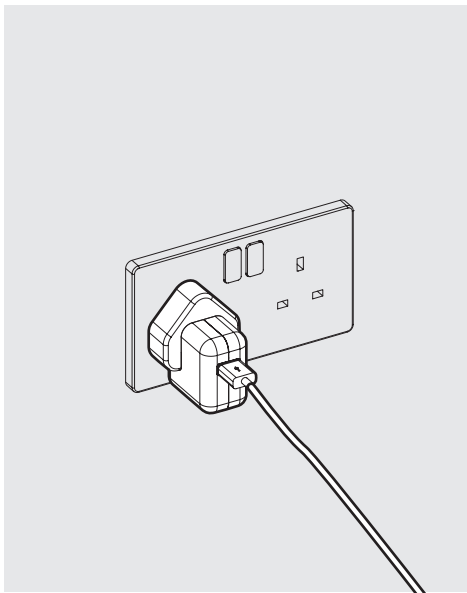
**12** Install the Tablet Setup Kit. Each kit is specific per device & case.



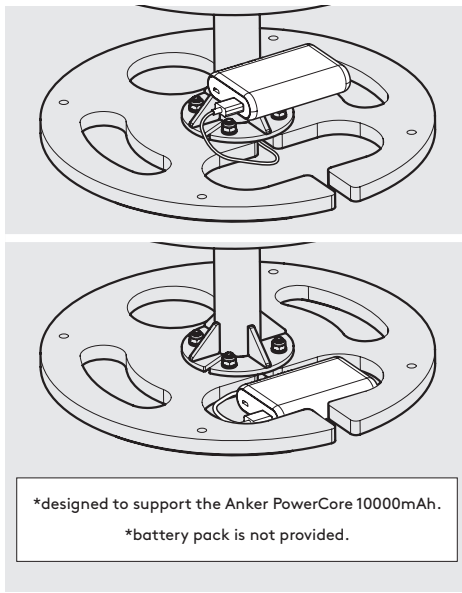
**13** Install the tablet into the Case & connect to power.



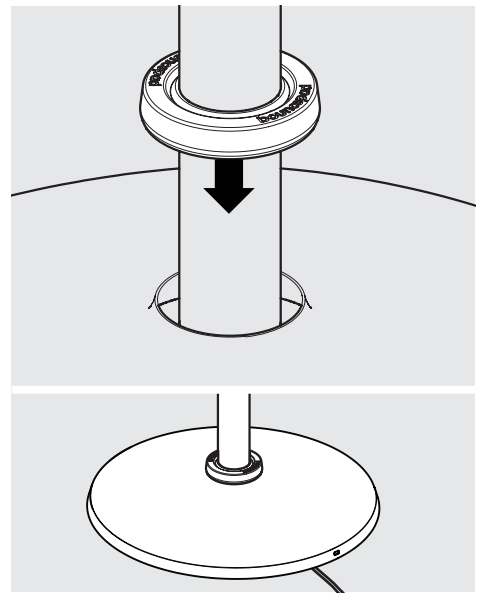
**14** Locate and lock the Faceplate to the Case.



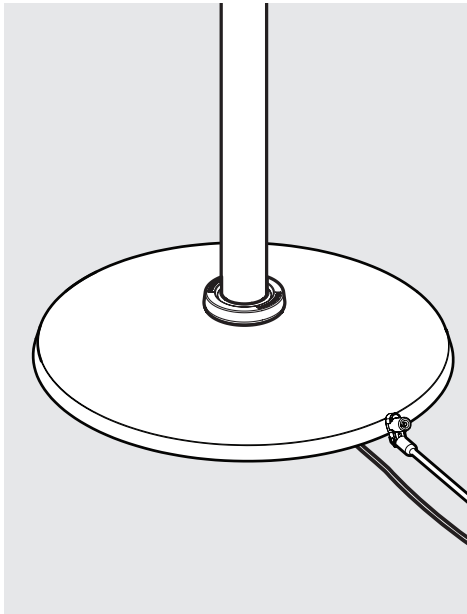
**15.1** Connect the tablet power cable to its mains power source.



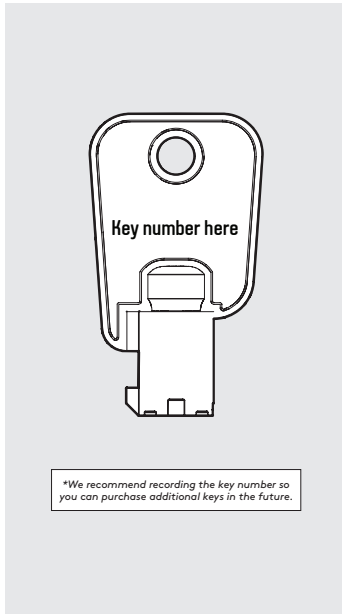
**15.2** If installing a battery pack, connect the tablet cable and locate the pack into the Floorstanding Base.



**16** With the Floorstanding Cover on the ground, locate and fit the Floorstanding Rubber Collar.



**17** Use a Kensington® Microsaver product to tether to a secure object. (refer to your Kensington® instructions for full details)



**18** Installation is now complete.