

Refrigerator

User manual

RT58*/RT62*

Free Standing Appliance

SAMSUNG

Contents

Safety information	4
Important safety symbols and precautions:	6
Severe warning signs for transportation and site	6
Critical installation warnings	7
Installation cautions	10
Critical usage warnings	11
Usage cautions	15
Cleaning cautions	18
Critical disposal warnings	20
Additional tips for proper usage	21
Saving Energy Tips	22
This appliance is intended to be used in household and similar applications such as	22
Instructions about the WEEE	23
Installation	24
Refrigerator at a glance	24
Step-by-step installation	26
Operations	30
Main panel	30
SmartThings	37
Special features	40
Maintenance	43
Handle and care	43
Cleaning	44
Replacement	45
Troubleshooting	46
General	46
SmartThings	48

Appendix	49
Safety Instruction	49
Install Instruction	49
Temperature Instruction	50
Information for model and ordering spare parts	53
Open Source Announcement	54

Safety information

- Before using your new Samsung Refrigerator, please read this manual thoroughly to ensure that you know how to operate the features and functions that your new appliance offers safely and efficiently.
- This appliance is not intended for use by persons (including children) with reduced physical, sensory, or mental capabilities, or those who lack experience and knowledge, unless they have been given supervision or instruction concerning the use of the appliance by a person responsible for their safety.
- This appliance can be used by children aged from 8 years and above and persons with reduced physical, sensory or mental capabilities or lack of experience and knowledge if they have been given supervision or instruction concerning use of the appliance in a safe way and understand the hazards involved. Children shall not play with the appliance. Cleaning and user maintenance shall not be made by children without supervision.
- Warnings and Important Safety Instructions in this manual do not cover all possible conditions and situations that may occur. It is your responsibility to use common sense, caution, and care when installing, maintaining, and operating your appliance.
- Because these following operating instructions cover various models, the characteristics of your refrigerator may differ slightly from those described in this manual and not all warning signs may be applicable. If you have any questions or concerns, contact your nearest service center or find help and information online at www.samsung.com.
- R-600a or R-134a is used as a refrigerant. Check the compressor label on the rear of the appliance or the rating label inside the fridge to see which refrigerant is used for your refrigerator. When this product contains flammable gas (Refrigerant R-600a), contact your local authority in regard to safe disposal of this product.

- In order to avoid the creation of a flammable gas-air mixture if a leak in the refrigerating circuit occurs, the size of the room in which the appliance may be sited depends on the amount of refrigerant used.
- Never start up an appliance showing any signs of damage. If in doubt, consult your dealer. The room must be 1 m³ in size for every 8 g of R-600a refrigerant inside the appliance.
The amount of refrigerant in your particular appliance is shown on the identification plate inside the appliance.
- Refrigerant squirting out of the pipes could ignite or cause an eye injury. When refrigerant leaks from the pipe, avoid any naked flames and move anything flammable away from the product and ventilate the room immediately.
 - Failing to do so may result in fire or explosion.
- It is hazardous for anyone other than an Authorised Service Person to service this appliance.



WARNING; Risk of fire / flammable materials



Safety information

Important safety symbols and precautions:

WARNING

Hazards or unsafe practices that may result in **severe personal injury** or death.

CAUTION

Hazards or unsafe practices that may result in **minor personal injury** or property damage.

These warning signs are here to prevent injury to you and others.

Please follow them carefully.

After reading this section, keep it in a safe place for future reference.

Severe warning signs for transportation and site

WARNING

- When transporting and installing the appliance, care should be taken to ensure that no parts of the refrigerating circuit are damaged.
 - Refrigerant leaking from the pipe work could ignite or cause an eye injury. If a leak is detected, avoid any naked flames or potential sources of ignition and air the room in which the appliance is standing for several minutes.
 - This appliance contains a small amount of isobutane refrigerant (R-600a), a natural gas with high environmental compatibility that is, however, also combustible. When transporting and installing the appliance, care should be taken to ensure that no parts of the refrigerating circuit are damaged.



Critical installation warnings

WARNING

- Do not install the refrigerator in a damp location or place where it may come in contact with water.
 - Deteriorated insulation on electrical parts may cause an electric shock or fire.
- Do not place this refrigerator in direct sunlight or expose it to the heat from stoves, room heaters, or other appliances.
- Do not plug several appliances into the same multiple power strip. The refrigerator should always be plugged into its own individual electrical outlet which has a voltage rating that matches the voltage listed on the refrigerator's rating plate.
 - This provides the best performance and also prevents overloading of house wiring circuits, which could cause a fire hazard from overheated wires.
- If the wall socket is loose, do not insert the power plug.
 - There is a risk of electric shock or fire.
- Do not use a power cord that has cracks or abrasion damage along its length or at either end.
- Do not bend the power cord excessively or place heavy objects on it.
- Do not pull or excessively bend the power cord.
- Do not twist or tie the power cord.
- Do not hook the power cord over a metal object, place a heavy object on the power cord, insert the power cord between objects, or push the power cord into the space behind the appliance.
- When moving the refrigerator, be careful not to roll over or damage the power cord.
 - This may result in an electric shock or fire.

Safety information

- Never unplug your refrigerator by pulling on the power cord. Always grip the plug firmly and pull straight out from the outlet.
 - Damage to the cord may cause a short-circuit, fire, and/or electric shock.
- Do not store explosive substances such as aerosol cans with a flammable propellant in this appliance.
- Do not install this appliance near a heater or inflammable material.
- Do not install this appliance in a location where gas may leak.
 - This may result in an electric shock or fire.
- This refrigerator must be properly located and installed in accordance with the instructions in this manual before you use it.
- Connect the power plug in the proper position with the cord hanging down.
 - If you connect the power plug upside down, the wire can get cut off and cause a fire or electric shock.
- Make sure that the power plug is not crushed or damaged by the back of the refrigerator.
- Keep the packing materials out of reach of children.
 - There is a risk of death from suffocation if a child puts the packing materials on his or her head.
- The appliance must be positioned so that the plug is accessible after installation.
 - Failing to do so may result in an electric shock or fire due to electric leakage.
- Do not install this appliance in a humid, oily or dusty location, in a location exposed to direct sunlight and water (rain drops).
 - Deteriorated insulation of electrical parts may cause an electric shock or fire.

-
- If any dust or water is in the refrigerator, pull out power plug and contact your Samsung Electronics service center.
 - Otherwise there is a risk of fire.
 - Do not stand on top of the appliance or place objects (such as laundry, lighted candles, lighted cigarettes, dishes, chemicals, metal objects, etc.) on the appliance.
 - This may result in an electric shock, fire, problems with the product, or injury.
 - You need to remove all the protective plastic film before you initially plug the product in.
 - Children should be supervised to ensure that they do not play with the snap rings used for door adjustment or the water tube clips.
 - There is risk of death by suffocation if a child swallows a snap ring or water tube clip. Keep the snap rings and water tube clips out of children's reach.
 - The refrigerator must be safely grounded.
 - Always make sure that you have grounded the refrigerator before attempting to investigate or repair any part of the appliance. Power leakages can cause severe electric shock.
 - Never use gas pipes, telephone lines, or other potential lightning attractors as an electrical ground.
 - You must ground the refrigerator to prevent any power leakages or electric shocks caused by current leakage from the refrigerator.
 - This may result in an electric shock, fire, explosion, or problems with the product.
 - Plug the power plug into the wall socket firmly. Do not use a damaged power plug, damaged power cord, or loose wall socket.
 - This may result in an electric shock or fire.

Safety information

- If the power cord is damaged, have it replaced immediately by the manufacturer or one of its service agents.
- The fuse on the refrigerator must be changed by a qualified technician or service company.
 - Failing to do so may result in an electric shock or personal injury.
- When positioning the appliance, ensure the supply cord is not trapped or damaged.
- Do not locate multiple portable socket-outlets or portable power supplies at the rear of the appliance.

Installation cautions

CAUTION

- Allow sufficient space around the refrigerator and install it on a flat surface.
 - Keep the ventilation space in the appliance enclosure or mounting structure clear of obstructions.
- Allow the appliance to stand for 2 hours before loading foods after installation and turning on.
- We strongly recommend you have a qualified technician or service company install the refrigerator.
 - Failing to do so may result in an electric shock, fire, explosion, problems with the product, or injury.
- Overload on any one door may fell the refrigerator, causing physical injury.

Critical usage warnings

WARNING

- Do not insert the power plug into a wall socket with wet hands.
 - This may result in an electric shock.
- Do not store articles on the top of the appliance.
 - When you open or close the door, the articles may fall and cause personal injury and/or material damage.
- Do not insert hands, feet or metal objects (such as chopsticks, etc.) into the bottom or the back of the refrigerator.
 - This may result in an electric shock or injury.
 - Any sharp edges may cause a personal injury.
- Do not touch the inside walls of the freezer or products stored in the freezer with wet hands.
 - This may cause frostbite.
- Do not put a container filled with water on the refrigerator.
 - If spilled, there is a risk of fire or electric shock.
- Do not keep volatile or flammable objects or substances (benzene, thinner, propane gas, alcohol, ether, LP gas, and other such products) in the refrigerator.
 - This refrigerator is for storing food only.
 - This may result in fire or explosion.
- Children should be supervised to ensure that they do not play with the appliance.
 - Keep fingers out of “pinch point” areas. Clearances between the doors and cabinet are necessarily small. Be careful when you open the doors if children are in the area.
- Do not let children hang on the door or door bins. A serious injury may occur.
- Do not let children go inside the refrigerator. They could become trapped.

Safety information

- Do not insert your hands into the bottom area under the appliance.
 - Any sharp edges may cause personal injury.
- Do not store pharmaceutical products, scientific materials, or temperature sensitive products in the refrigerator.
 - Products that require strict temperature controls must not be stored in the refrigerator.
- Do not place or use electrical appliance inside the refrigerator/ freezer, unless they are of a type recommended by the manufacturer.
- If you smell pharmaceutical or smoke, pull out power plug immediately and contact your Samsung Electronics service center.
- If any dust or water is in Refrigerator, pull out power plug and contact your Samsung Electronics service center.
 - Otherwise there is a risk of fire.
- Do not let children step on a drawer.
 - The drawer may break and cause them to slip.
- Do not leave the doors of the refrigerator open while the refrigerator is unattended and do not let children enter inside the refrigerator.
- Do not allow babies or children go inside the drawer.
 - It can cause death from suffocation by entrapment or personal injury.
- Do not overfill the refrigerator with food.
 - When you open the door, an item may fall out and cause personal injury or material damage.
- Do not spray volatile material such as insecticide onto the surface of the appliance.
 - As well as being harmful to humans, it may also result in an electric shock, fire, or problems with the product.

-
- Do not use or place any substances sensitive to temperature such as flammable sprays, flammable objects, dry ice, medicine, or chemicals near or inside of the refrigerator.
 - Do not use a hair dryer to dry the inside of the refrigerator. Do not place a lighted candle in the refrigerator for removing bad odours.
 - This may result in an electric shock or fire.
 - Fill the water tank, ice tray and water cubes only with potable water (mineral water or purified water).
 - Do not fill the tank with tea, juice or sports drink, this may damage the refrigerator.
 - Do not stand on top of the appliance or place objects (such as laundry, lighted candles, lighted cigarettes, dishes, chemicals, metal objects, etc.) on the appliance. This may result in an electric shock, fire, problems with the product, or injury. Do not put a container filled with water on the appliance.
 - If spilled, there is a risk of fire or electric shock.
 - Do not use mechanical devices or any other means to accelerate the defrosting process, other than those recommended by the manufacturer.
 - Do not damage the refrigerant circuit.
 - Never stare directly at the UV LED lamp for long periods of time.
 - This may result in eye strain due to the ultraviolet rays.
 - Do not put fridge shelf in upside down. Shelf stopper could not work.
 - It may cause a personal injury because of glass shelf drop.
 - Keep fingers out of “pinch point” areas. Clearances between the doors and cabinet are necessarily small. Be careful when you open the doors if children are in the area.

Safety information

- If a gas leak is detected, avoid any naked flames or potential sources of ignition, and air the room in which the appliance is standing for several minutes.
 - Do not touch the appliance or power cord.
 - Do not use a ventilating fan.
 - A spark may result in explosion or fire.
- Use only the LED Lamps provided by the manufacturer or its service agents.
- Bottles should be stored tightly together so that they do not fall out.
- This product is intended only for the storage of food in a domestic environment.
- Do not attempt to repair, disassemble, or modify the refrigerator yourself.
 - Unauthorized modifications can cause safety problems. To reverse an unauthorized modification, we will charge the full cost of parts and labor.
- Do not use any fuse (such as cooper, steel wire, etc.) other than a standard fuse.
- If your refrigerator needs to be repaired or reinstalled, contact your nearest service center.
 - Failing to do so may result in an electric shock, fire, problems with the product, or injury.
- If the interior or exterior LED lamp has gone out, contact your nearest service center.
- If the refrigerator emits a burning smell or smoke, unplug the refrigerator immediately and contact your Samsung Electronics service center.
 - Failing to do so may result in an electric or fire hazards.

-
- Pull the power plug out of the socket before changing the interior lamps of the refrigerator.
 - Otherwise, there is a risk of electric shock.
 - If you experience difficulty changing a non-LED light, contact a Samsung service center.
 - If the product is equipped with LED lamps, do not disassemble the Lamp Covers and LED lamps yourself.
 - Contact a Samsung service center.
 - Plug the power plug into the wall socket firmly.
 - Do not use a damaged power plug, damaged power cord or loose wall socket.
 - This may result in an electric shock or fire.

Usage cautions

CAUTION

- Do not re-freeze frozen foods that have thawed completely. Do not place carbonated or fizzy drinks in the freezer compartment. Do not put bottles or glass containers in the freezer.
 - When the contents freeze, the glass may break and cause personal injury.
- Use only the ice maker provided with the refrigerator.
- To get the best performance from the product:
 - Do not place food too close to the vents at the rear of the refrigerator as this can obstruct free air circulation in the refrigerator compartment.
 - Wrap food up properly or place it in airtight containers before putting it into the refrigerator.

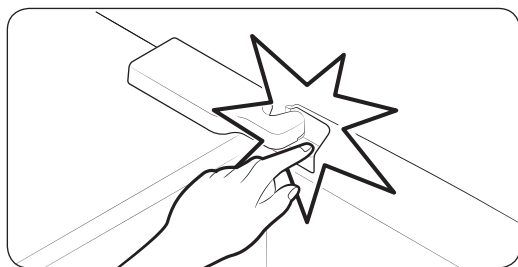


Safety information

- Do not place glass bottles or carbonated beverages into the freezer. They can freeze and break. Broken beverage containers can cause injury.
- Please observe maximum storage times and expiration dates of frozen goods.
- Do not place glass or bottles or carbonated beverages into the freezer.
 - The container may freeze and break, and this may result in injury.
- Do not place carbonated or fizzy drinks in the freezer compartment. Do not put bottles or glass containers in the freezer.
 - When the contents freeze, the glass may break and cause personal injury and property damage.
- Service Warranty and Modification.
 - Any changes or modifications performed by a 3rd party on this finished appliance are not covered under Samsung warranty service, nor is Samsung responsible for safety issues that result from 3rd party modifications.
- Do not block the air vents inside the refrigerator.
 - If the air vents are blocked, especially with a plastic bag, the refrigerator can be over cooled. If a cooling period lasts too long, the water filter may break and cause water leakage.
- Use only the ice-maker provided with the refrigerator.
- Wipe excess moisture from the inside and leave the doors open.
 - Otherwise, odor and mold may develop.
- If the refrigerator is disconnected from the power supply, you should wait for at least five minutes before plugging it back in.
- When the refrigerator got wet by water, pull out the power plug and contact your Samsung Electronics service center.



- Do not strike or apply excessive force to any glass surface.
 - Broken glass may result in a personal injury and/or property damage.
- Fill the water tank and ice cube trays with potable water only (tap water, mineral water, or purified water).
 - Do not fill the tank with tea or a sports drink. This may damage the refrigerator.



- Be careful that your fingers are not caught in.

- The lamps in the freezer and refrigerator can be turned off if the doors of the freezer and refrigerator are left open for 2 seconds or longer.
 - The lamps will turn back on when the doors are closed and opened again.
- If the refrigerator is flooded, make sure to contact your nearest service center.
 - There is a risk of electric shock or fire.
- Do not keep vegetable oil in your refrigerator's door bins. The oil can solidify, making it foul-tasting and difficult to use. In addition, the open container can leak and the leaked oil can cause the door bin to crack. After opening an oil container, it is best to keep the container in a cool and shaded place such as a cupboard or pantry.
 - Examples of vegetable oil: olive oil, corn oil, grape-seed oil, etc.



Safety information

Cleaning cautions

CAUTION

- Do not spray water directly on the inside or outside the refrigerator.
 - There is a risk of fire or electric shock.
- Do not use a hair dryer to dry the inside of the refrigerator.
- Do not place a lighted candle in the refrigerator to remove bad odors.
 - This may result in an electric shock or fire.
- Do not spray cleaning products directly on the display.
 - Printed letters on the display may come off.
- If any foreign substance such as water has entered the appliance, unplug the power plug and contact your nearest service center.
 - Failing to do so may result in an electric shock or fire.
- Use a clean, dry cloth to remove any foreign matter or dust from the power plug blades. Do not use a wet or damp cloth when cleaning the plug.
 - Otherwise, there is a risk of fire or electric shock.
- Do not clean the appliance by spraying water directly onto it.
- Do not use benzene, thinner, or Clorox, Chloride for cleaning.
 - They may damage the surface of the appliance and may cause a fire.
- Never put fingers or other objects into the dispenser hole.
 - It may cause a personal injury or material damage.
- Before cleaning or performing maintenance, unplug the appliance from the wall socket.
 - Failing to do so may result in an electric shock or fire.
- Use a clean sponge or soft cloth and a mild detergent in warm water to clean the refrigerator.



-
- Do not use abrasive or harsh cleansers such as window sprays, scouring cleansers, flammable fluids, muriatic acid, cleaning waxes, concentrated detergents, bleaches, or cleansers containing petroleum products on exterior surfaces (doors and cabinet), plastic parts, door and interior liners, and gaskets.
 - These can scratch or damage the material.
 - Do not clean glass shelves or covers with warm water when they are cold. Glass shelves and covers may break if exposed to sudden temperature changes or impacts such as bumping or dropping.



Safety information

Critical disposal warnings

WARNING

- Please dispose of the packaging material from this product in an environmentally friendly manner.
- Ensure that none of the pipes on the back of the refrigerator are damaged prior to disposal.
- R-600a or R-134a is used as a refrigerant. Check the compressor label on the rear of the appliance or the rating label inside the fridge to see which refrigerant is used for your refrigerator. If this refrigerator contains flammable gas (Refrigerant R-600a), contact your local authority in regard to safe disposal of this product.
- When disposing of this refrigerator, remove the door/door seals and door latch so that small children or animals cannot become trapped inside. Children should be supervised to ensure that they do not play with the appliance. If trapped inside, a child may get hurt or suffocate to death.
 - If trapped inside, the child may become injury and suffocate to death.
- Cyclopentane is used in the insulation. The gases in the insulation material require a special disposal procedure. Please contact your local authorities in regard to the environmentally safe disposal of this product.
- Keep all packaging materials well out of the reach of children, as packaging materials can be dangerous to children.
 - If a child places a bag over his or her head, the child could suffocate.



Additional tips for proper usage

- In the event of a power failure, call the local office of your electric company and ask how long the failure is going to last.
 - Most power failures that are corrected in an hour or two will not affect your refrigerator temperatures. However, you should minimize the number of door openings while the power is off.
 - Should the power failure last more than 24 hours, remove and discard all frozen food.
- The refrigerator might not operate consistently (frozen contents can thaw or temperatures can become too warm in the frozen food compartment) if sited for an extended period of time in a location where ambient air temperatures are constantly below the temperatures for which the appliance is designed.
- In case of particular foods, keeping it under refrigeration can have a bad effect on preservation due to its properties.
- Your appliance is frost free, which means there is no need to manually defrost your appliance. This will be carried out automatically.
- Temperature rise during defrosting complies with ISO requirements. If you want to prevent an undue rise in the temperature of frozen food while the appliance defrosts, wrap the frozen food in several layers of newspaper.
- Do not re-freeze frozen foods that have thawed completely.
- The temperature of two star section (sections) or compartment (compartments) which have two star symbol (☆☆) is slightly higher than other freezer compartment (compartments).
The two star section (sections) or compartment (compartments) is (are) based on the instruction and/or the condition as delivered.



Safety information

Saving Energy Tips

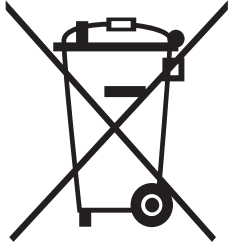
- Install the appliance in a cool, dry room with adequate ventilation. Ensure that it is not exposed to direct sunlight and never put it near a direct source of heat (a radiator, for example).
- Not to block any vents and grilles is recommended for energy efficiency.
- Allow warm food to cool down before placing it in the appliance.
- Put frozen food in the refrigerator to thaw. You can then use the low temperatures of the frozen products to cool food in the refrigerator.
- Do not keep the door of the refrigerator open for too long when putting food in or taking food out. The shorter the time the door is open, the less frost build-up you'll have in the freezer.
- It is recommended to install the refrigerator with clearance to the back and sides. This will help reduce power consumption and keep your energy bills lower.
- For the most efficient use of energy, please keep the all inner fittings such as baskets, drawers, shelves on the position supplied by manufacturer.

This appliance is intended to be used in household and similar applications such as

- staff kitchen areas in shops, offices and other working environments;
- farm houses and by clients in hotels, motels and other residential type environments;
- bed and breakfast type environments;
- catering and similar non-retail applications.



Instructions about the WEEE



Correct Disposal of This Product (Waste Electrical & Electronic Equipment)

(Applicable in countries with separate collection systems)

This marking on the product, accessories or literature indicates that the product and its electronic accessories (e.g. charger, headset, USB cable) should not be disposed of with other household waste at the end of their working life. To prevent possible harm to the environment or human health from uncontrolled waste disposal, please separate these items from other types of waste and recycle them responsibly to promote the sustainable reuse of material resources.

Household users should contact either the retailer where they purchased this product, or their local government office, for details of where and how they can take these items for environmentally safe recycling.

Business users should contact their supplier and check the terms and conditions of the purchase contract. This product and its electronic accessories should not be mixed with other commercial wastes for disposal.

For information on Samsung's environmental commitments and product regulatory obligations, e.g. REACH, WEEE or Batteries, visit our sustainability page available via www.samsung.com

(For products sold in European countries and in the UK only)

Installation

Follow these instructions carefully to ensure a proper installation of this refrigerator and to prevent accidents before using it.

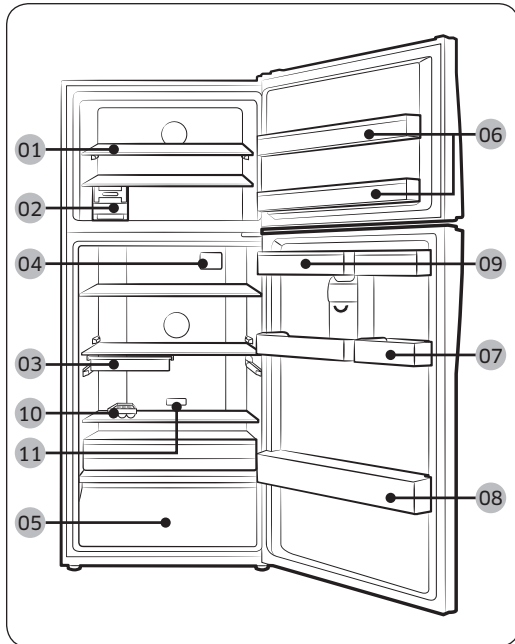
⚠ WARNING

- Use the refrigerator only for its intended purpose as described in this manual.
- Any servicing must be performed by a qualified technician.
- Dispose of the product packaging material in compliance with the local regulations.

Refrigerator at a glance

📄 NOTE

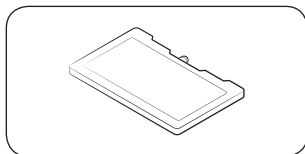
The actual image and provided component parts of the refrigerator may differ, depending on the model and the country.



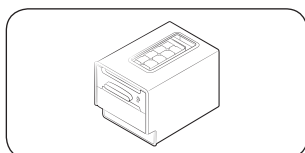
- 01** Shelf-Fre
- 02** Ice Maker
- 03** Deli Bin *
- 04** A/Bacteria Protector *
- 05** Vegetable Box *
- 06** Freezer bin
- 07** Variety bin
- 08** Bottle bin
- 09** Water Tank *
- 10** Egg bin
- 11** Deodorizer *

* applicable models only

Optional accessories *



Cool pack: This helps keep the refrigerator cool.



Twist Ice Maker: Used to make ice.

* Your refrigerator may not include optional accessories listed above. Provision of optional accessories depends on the model and the country.

To secure more room for storage in the freezer compartment

Remove the ice maker, which can be detached manually without a tool.

- Removal of the ice maker does not affect thermal and mechanical performance of the freezer.

For best energy efficiency, make sure all of shelves, drawers, and baskets are placed in their original position.

Installation

Step-by-step installation

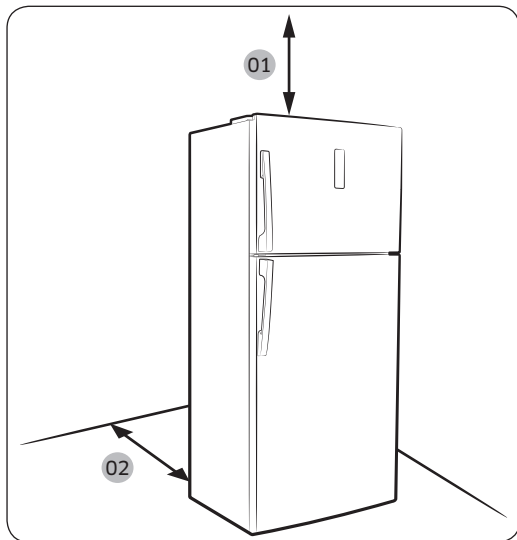
STEP 1 Select a site

Site requirements:

- Solid, level surface without carpeting or flooring that may obstruct ventilation
- Away from direct sunlight
- Adequate room for opening and closing the door
- Away from a heat source
- Room for maintenance and servicing
- Temperature range: between 10 °C and 43 °C

Clearance

See the pictures and table below for space requirements for installation.



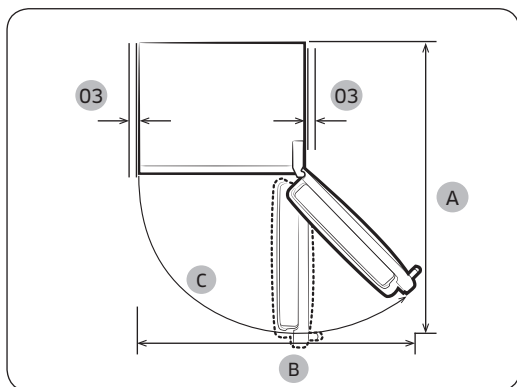
Model	A	B	C
RT58	1507	1352	120°
RT62	1507	1352	120°

(unit: mm)

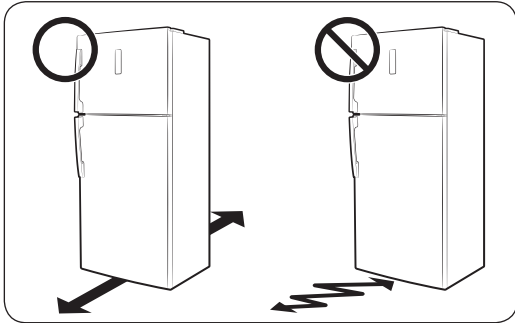
01 100 mm

02 50 mm

03 at least 50 mm

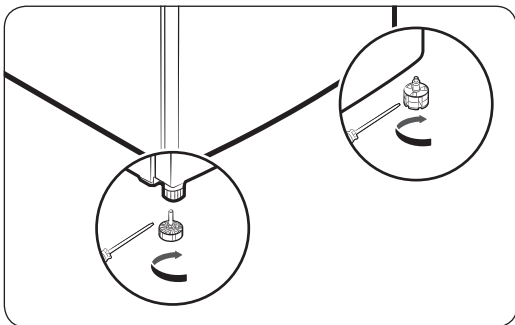


STEP 2 Flooring

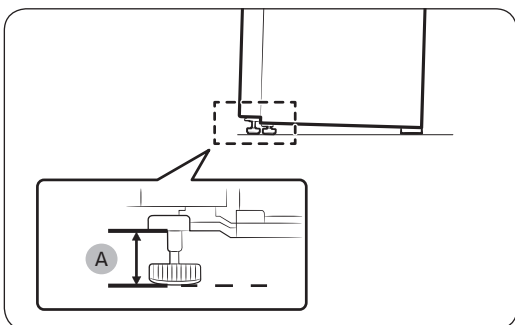


- The surface to install the refrigerator must support a fully loaded refrigerator, or approximately 100 kg.
- To protect the floor, put a large piece of cardboard on each leg of the refrigerator.
- Once the refrigerator is in its final position, do not move it unless necessary to protect the floor. If you have to, use a thick paper or cloth such as old carpets along the movement path.

STEP 3 Adjust the levelling feet



Level the refrigerator by manually adjusting the levelling feet. Turn the levelling feet clockwise to lower the position, or turn counter clockwise to raise.



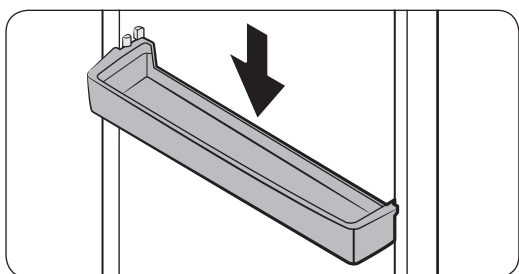
Leave the feet at least 35 mm (A) from the floor as shown.

Installation

STEP 4 Unpack and put accessories in place (applicable models only)

The accessories that ship with this refrigerator are properly packed for transportation and safety reasons. Unpack those accessories and put them in place.

Door bins

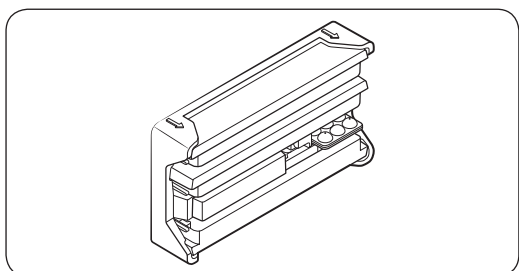


There are door bins provided with the product. Insert door bins each to the freezer and the fridge.

If you want to use the egg tray, make sure it is put in the fridge or inserted in the door bin.

NOTE

Firmly press the door bins when assembling them to the door.



STEP 5 Initial settings

By completing the following steps, the refrigerator should be fully functioning.

1. Plug the power cord into the wall socket to turn the refrigerator on.
2. Open the door, and check if the interior light lights up.
3. Set the temperature to the coldest, and wait for about an hour. Then, the freezer will be slightly chilled, and the motor will run smoothly.
4. Wait until the refrigerator reaches the set temperature. Now the refrigerator is ready for use.

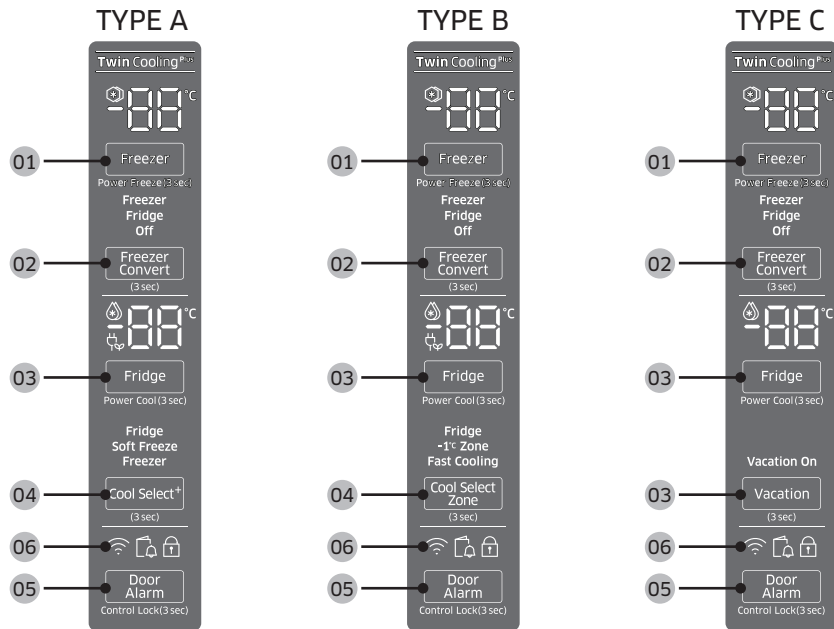
STEP 6 Final check

When installation is complete, confirm that:

- The refrigerator is plugged into an electrical outlet and grounded properly.
- The refrigerator is installed on a flat, level surface with a reasonable clearance from the wall or the cabinet.
- The refrigerator is level and is sitting firmly on the floor.
- The door opens and closes freely, and the interior light turns on automatically when you open the door.

Operations

Main panel



01 Freezer / Power Freeze

02 Freezer Convert

03 Fridge / Power Cool /
Vacation

04 Cool Select+ /
Cool Select Zone *

05 Door Alarm /
Control Lock

06 Network connection *

* Applicable models only

01 Freezer / Power Freeze

Freezer	<p>The Freezer button can be used to set the freezer temperature. Available temperatures are between -15 °C and -23 °C.</p> <p>⚠ CAUTION</p> <ul style="list-style-type: none">• To prevent system failure or food spoiling, do not set the temperature to -15 °C in summer (above 35 °C).• Do not store glass bottles containing liquid in the freezer. Glass bottles will crack or break into pieces when the liquid freezes.
Power Freeze	<p>Power Freeze speeds up the freezing process at maximum fan speed. The freezer keeps running at full speed for several hours and then returns to the previous temperature.</p> <ul style="list-style-type: none">• To activate Power Freeze, press and hold Freezer for 3 seconds. The corresponding indicator (❄) lights up, and the refrigerator will speed up the cooling process for you.• To deactivate, press and hold Freezer again for 3 seconds. The freezer returns to the previous temperature setting.• To freeze large amounts of food, activate Power Freeze for at least 20 hours before putting food in the freezer.• The freezer keeps running at full speed for 50 hours and then returns to the previous temperature. <p>📄 NOTE</p> <p>Using Power Freeze increases power consumption. Make sure you turn it off and return to the previous temperature if you do not intend to use it.</p>

Operations

02 Freezer Convert

You can use the entire refrigerator with Fridge mode, or turn off the freezer.

To change the default freezer mode, press and hold **Freezer Convert** for 3 seconds to enter the selection mode. Then, press **Freezer Convert** to select a desired mode.

The mode changes in this sequence: Fridge → Off → Freezer → Off → Fridge setting mode.

- If you select Fridge, the Fridge indicator turns on. Power Freeze will be deactivated if active, and Ice On will turn off if enabled.
- If you select Off, the Off indicator turns on. The freezer will be turned off.
- If you select Freezer, the Freezer indicators turn on for your selection.

Your changes will be set and activated after 10 seconds. To cancel or change the mode again, press and hold **Freezer Convert** again for 3 seconds. Then, follow the instructions as mentioned above.

NOTE

- If you press and hold **Freezer Convert** for 3 seconds, the refrigerator switches to selection mode where you can press **Freezer Convert** to select a different mode.
- When refrigeration or freezing functions are at 'Off mode', the temperature of the fridge or freezer remains under 15 °C to prevent mold and odors, using low electricity.
- Fridge or Freezer cannot be powered off independently.
- Do not store food or beverage in refrigerator when refrigeration or freezing functions are at 'Off mode'. 15 °C is not cool enough to prevent spoilage.



WARNING

- Do not put glass bottles containing liquid in the freezer. When cancelling Freezer Convert, the glass bottles may break or burst in the freezer.
- Make sure to remove frozen foods from the freezer before enabling the Freezer Convert. Frozen foods melt and spoil as the temperature increases (Freezer mode changes to Fridge mode).
- Make sure to remove chilled foods from the freezer before disabling the Freezer Convert. Chilled foods may freeze as the temperature decreases (Fridge mode changes to Freezer mode).



NOTE

If you want to use Freezer Convert, it is strongly recommended to use plastic containers to store food, especially vegetables.

03 Fridge / Power Cool / Vacation

Fridge	<p>To adjust the fridge temperature, press Fridge to select the corresponding temperature. You can change the temperature between 1 °C and 7 °C.</p> <p> CAUTION</p> <ul style="list-style-type: none">• In winter, do not set the temperature control to 1 °C. This may cause problems with the cooling performance.• In summer, do not set the temperature control to 5-7 °C. This may also cause problems with the cooling performance.
Power Cool	<p>Power Cool speeds up the cooling process at maximum fan speed. The fridge keeps running at full speed for several hours and then returns to the previous temperature.</p> <ul style="list-style-type: none">• To activate Power Cool, press and hold Fridge for 3 seconds. The corresponding indicator (🌀) lights up, and the refrigerator will speed up the cooling process for you.• To deactivate Power Cool, press and hold Fridge again for 3 seconds. The fridge returns to the previous temperature setting. <p> NOTE</p> <p>Using Power Cool increases power consumption. Make sure you turn it off and return to the previous temperature if you don't intend to use it.</p>

Operations

Vacation	<p>If you are going on vacation or a business trip, or if you do not intend to use the fridge for an extended time, use the Vacation mode.</p> <p>(Type A and Type B models only)</p> <ul style="list-style-type: none">• To activate Vacation mode, press Fridge with the 1 °C indicator selected. The vacation indicator () turns on while the display of the fridge temperatures will turn off. The display of Type A (Cool Select+) and Type B (Cool Select Zone) models also turns off. The fridge temperature will be controlled under 15 °C, but the freezer remains active as previously set.• To deactivate Vacation mode, press Fridge again. The fridge temperature will restore the 7 °C. Note that Type A (Cool Select+) and Type B (Cool Select zone) models return to the temperature settings of the fridge. <p>(Type C models only)</p> <ul style="list-style-type: none">• To activate Vacation mode, press and hold Vacation for 3 seconds. The Vacation On indicator turns on while the display of the fridge temperatures will turn off. The fridge temperature will be controlled under 15 °C, but the freezer remains active as previously set.• To deactivate Vacation mode, press and hold Vacation again for 3 seconds. The fridge temperature will return to the previous setting. <p> NOTE</p> <p>It is strongly recommended to empty the fridge compartment and make sure the door is closed.</p> <p>For Cool Select+/Cool Select Zone models, Vacation mode is controlled under 15 °C just like the fridge settings. However, the relevant indicator turns off, depending on the model.</p>
----------	--

04 Cool Select+ / Cool Select Zone (applicable models only)

Cool Select+ (TYPE A)	<p>Press and hold Cool Select+ for 3 seconds. Then, press again to select a desired mode. The corresponding indicator turns on.</p> <ul style="list-style-type: none"> • Fridge If selected, the Cool Select Zone will be set to 3 °C. • Soft Freeze If selected, the Cool Select Zone will be set to -5 °C. This is useful to store meat and/or fishery for an extended time. • Freezer If selected, the Cool Select Zone will be set to -12 °C. This is useful to keep frozen vegetables for an extended time.
Cool Select Zone (TYPE B)	<p>Press and hold Cool Select Zone for 3 seconds. Then, press again to select a desired mode. The corresponding indicator turns on.</p> <ul style="list-style-type: none"> • Fridge If selected, the Cool Select Zone will be set to 3 °C. • -1 °C Zone If selected, the Cool Select Zone will be set to -1 °C. This is useful to store perishable foods. • Fast Cooling Select this if you want to fast cool foods. The Cool Select Zone will cool foods at max speed for 60 minutes.

05 Door Alarm / Control Lock

Door Alarm	<p>You can set the alarm for a reminder. If the door is left open for more than 2 minutes, the alarm will sound with the Alarm indicator blinking. You can toggle to enable and disable the alarm by pressing Door Alarm. The alarm is enabled by factory default.</p>
Control Lock	<p>To prevent accidental manipulation, press and hold Door Alarm for 3 seconds to activate the Control Lock. All controls will be disabled with the indicator (🔒) on.</p> <p>To deactivate, press and hold again for 3 seconds. The controls will be enabled as normal.</p>

06 Network connection (applicable models only)

This icon indicates that the refrigerator is connected to a network. If the Wi-Fi (📶) icon flashes, we recommend connecting your refrigerator with the SmartThings app. You can control and monitor your refrigerator on the SmartThings app. For more information, see the **SmartThings** section.

Operations

Turning the Wi-Fi on or off

To turn the Wi-Fi on or off, press and hold **Door Alarm** for 10 seconds. The Wi-Fi (📶) icon shows the status of the Wi-Fi as shown below.

- Wi-Fi Off: The Wi-Fi (📶) icon blinks for 5 seconds and then turns off.
- Wi-Fi On: The Wi-Fi (📶) icon blinks for 5 seconds and then turns on for 5 seconds.

NOTE

- You must turn on the Wi-Fi to connect the refrigerator to the SmartThings app.
- For more information, see the **SmartThings** section.

SmartThings

Installation

Visit the Google Play Store, Galaxy Apps, or Apple App Store and search for “SmartThings”. Download and install the SmartThings app provided by Samsung Electronics to your smart device.

NOTE

- The supporting software version of the SmartThings app is subject to change according to the OS supporting policy the manufacturer provides. In addition, as for the SmartThings app or the functions that the app supports, the new application update policy on the existing OS version can be suspended due to usability or security reasons.
- The SmartThings app is subject to change without notice to improve usability or performance. As the mobile phone OS version is updated every year, the SmartThings is also updated continually according to the latest OS. If you have enquiries regarding the items mentioned above, please contact us at st.service@samsung.com
- Recommended encryption systems include WPA/TKIP and WPA2/AES. Any newer or non-standard Wi-Fi authentication protocols are not supported.
- Wireless networks may be affected by the surrounding wireless communication environment.
- If your Internet service provider has registered the MAC address of your PC or modem for identification, your Samsung Smart Refrigerator may fail to connect to the Internet. If this happens, contact your Internet service provider for technical assistance.
- The firewall settings of your network system may prevent your Samsung Smart Refrigerator from accessing the Internet. Contact your Internet service provider for technical assistance. If this symptom continues, contact a local Samsung service centre or retailer.
- To configure the wireless access point (AP) settings, see the user manual of the AP Router.
- Samsung Smart Refrigerators support both Wi-Fi 2.4 GHz with IEEE 802.11 b/g/n and Soft-AP protocols. (IEEE 802.11 n is recommended.)
- Unauthorized Wi-Fi wireless routers may fail to connect to applicable Samsung Smart Refrigerators.

Operations

Samsung account

You are required to register your Samsung account to use the app. If you don't have a Samsung account, follow the app's on-screen instructions to create a free Samsung account.

Getting started

Turn on the device you want to connect, open the SmartThings app on your phone, and then follow the instructions below.

If a pop-up appears saying that a new device has been found, tap **ADD NOW**.

If a pop-up doesn't appear, tap the **+** button, and then select the device you want to connect from the list of available devices.

If your device isn't in the list of available devices, tap **Supported Devices**, select the device type (Refrigerator), and then select the specific device model.

Follow the instructions in the app to set up your device. Once setup is complete, your refrigerator will appear as a "card" on your **Devices** screen.

Integrated control

You can monitor and control your refrigerator at home and on the go.

- Tap the refrigerator icon on the SmartThings Dashboard or tap the Devices icon at the bottom of the Dashboard, and then tap the refrigerator "card" to open the Refrigerator page.
- Check the operation status or notifications related to your refrigerator, and then change options or settings if necessary.

NOTE

Some options or settings of the refrigerator may not be available for remote control.

Category	Item	Description
Monitor & Control	Fridge temperature	Displays the current temperature setting of the fridge.
	Freezer temperature	Displays the current temperature setting of the freezer.
	Power Cool	You can turn Power Cool on or off, and check the current settings.
	Cool Select+ * / Cool Select Zone *	You can set and monitor the desired mode of the Cool Select.
Alarms	Abnormally high temperature	This alarm is triggered when the fridge has abnormally high temperatures.
	Door opening	This alarm is triggered if the fridge or freezer door is open for more than 2 minutes.

* applicable models only

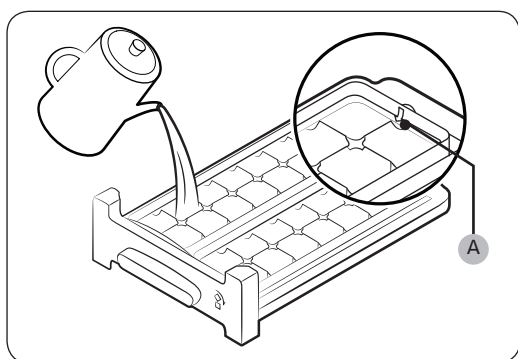
Operations

Special features

The actual image and special functions of your refrigerator may differ, depending on the model and the country.

Ice making (applicable models only)

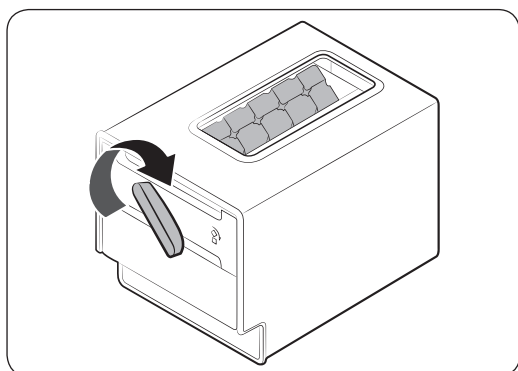
Twist ice maker



1. Open the freezer door, and slide open the ice tray.
2. Fill the tray with water up to the **maximum level (A)** marked on the inner rear of the tray.
3. Slide the tray back into position.

NOTE

The ice making time depends on your temperature settings.



NOTE

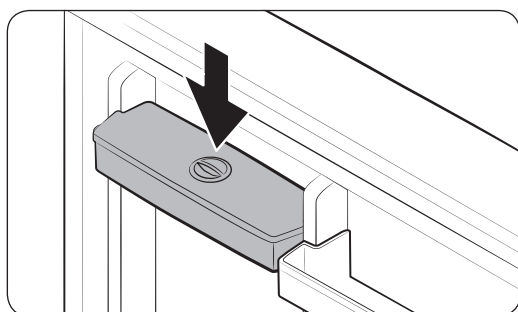
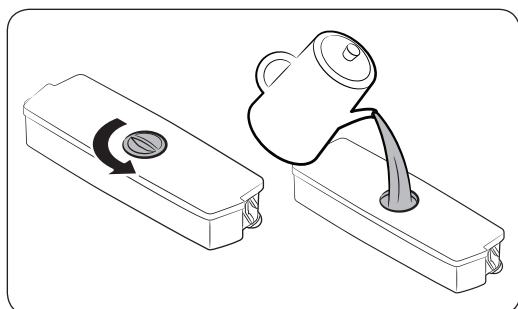
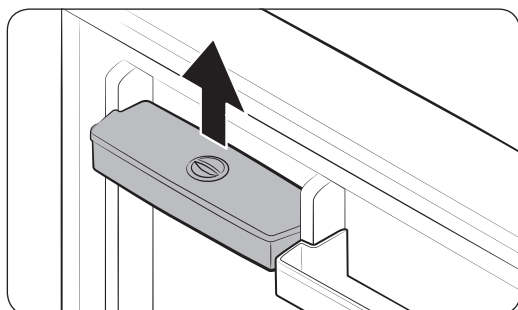
- Make sure the ice cube storage bin is in place under the ice tray.
- To dispense the ice cubes, turn the handle of the bin to the right to empty half of the ice cubes into the bin. Then, turn it to the left to empty the other half.
- Take out the bin by slightly twisting and pulling to the front.

Water dispenser

With the water dispenser, you can dispense water without opening the fridge door. The water tank must be filled with potable water before use.

To fill the water tank with potable water

Open the door and locate the water tank that is located in the door shelf area.



1. Hold the handgrips on both sides of the water tank and lift up to remove.

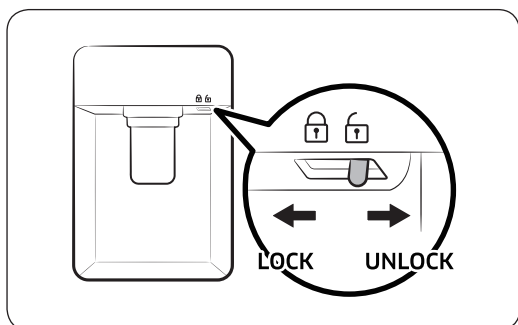
2. Fill the water tank with potable water up to 2.8 liters. You can remove either the top cap or the cover and pour water.

NOTE

For first-time use, clean inside the water tank.

3. Reinsert the water tank and close the door. Make sure the water outlet of the water tank faces forward.

Operations



4. Put a water glass under the water outlet of the dispenser, and gently push the dispenser lever to dispense water. Make sure the water dispenser is unlocked.

CAUTION

- The water dispenser is designed to dispense potable water. Fill the water tank only with potable water. Do not fill with any other liquids.
- Do not fill the water tank excessively, which causes an overflow.
- Do not try to fill the water tank without removing it from the door.
- Make sure that water tank is seated properly.
- Do not use the refrigerator without the water tank. This may reduce performance and efficiency.
- To prevent water bouncing, make sure the glass is in line with the dispenser lever.

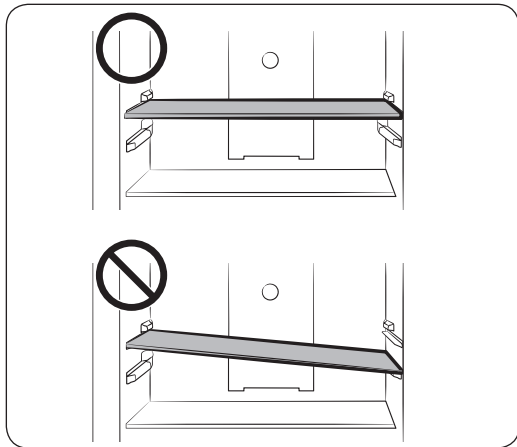
NOTE

To secure more room, you can use the water tank to store food. In this case, remove the lid of the tank.

Maintenance

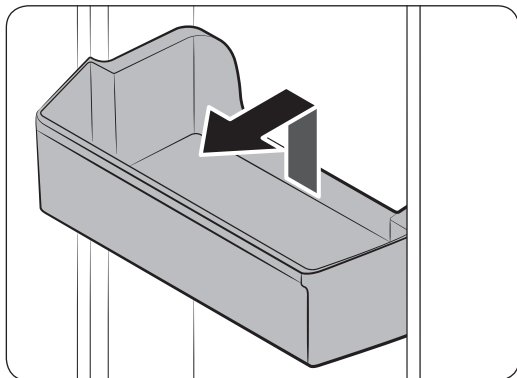
Handle and care

Freezer and fridge shelves



- To remove a shelf, first open the door completely. Pull the shelf forward, lift up, and then pull out.
- Do not attempt to tilt the shelf into position.

Door bins



Slightly lift up and pull out the door bin.

⚠ CAUTION

To prevent accidents, empty the door bins before removing.

Maintenance

Cleaning

Regularly use a dry cloth to remove all foreign substances such as dust or water from the power plug terminals and contact points.

1. Unplug the power cord of the refrigerator.
2. Use a moistened soft lint-free cloth or paper towel to clean the refrigerator's interior and exterior.
3. When done, use a dry cloth or paper towel to dry well.
4. Plug in the power cord of the refrigerator to turn the refrigerator on.

NOTE

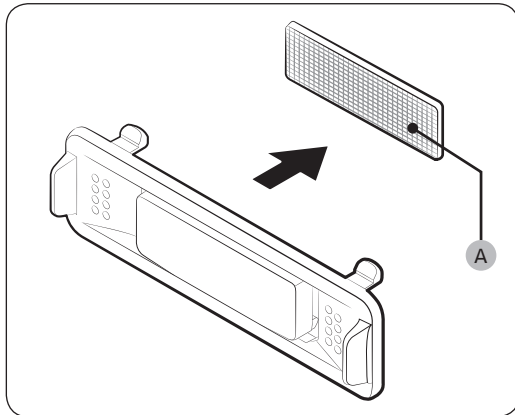
If you have removed any removable parts such as shelves for cleaning, refer to the overall layout in the What's included section to make sure you have reinserted correctly.

WARNING

- Do not use benzene, thinner, or home/car detergent such as Clorox™ for cleaning purposes. They may damage the surface of the refrigerator and cause a fire.
- Do not spray water onto the refrigerator. This may cause electric shock.
- Do not put fingers or other objects into the dispenser hole.

Replacement

Deodorizer filter (applicable models only)



While holding the top and bottom sides of the filter case, unlock the filter case to reveal the **deodorizer filter (A)**. Replace the filter, and then reinsert the case.

Lamps and anti-bacteria filter

Neither lamps nor the anti-bacteria filter are user-serviceable. Do not attempt to replace them yourself. To replace them, contact a local Samsung service centre.

Lamp (Light Source)

This product contains a light source of energy efficiency class <G>.

The lamp(s) and/or control gear(s) are not user-serviceable. To replace the lamp(s) and/or control gear(s) in the product, contact a local Samsung service centre.

For detailed instructions on replacing lamp(s) or control gear(s) in your product, visit the Samsung website (<http://www.samsung.com>), go to Support > Support home, and then enter the model name.

For detailed instructions on dismantling lamp(s) and/or control gear(s), simply follow the replacement instruction reached as described above.

Troubleshooting

If you encounter an abnormal situation with the refrigerator, first check the table below and try the suggestions.


General

Symptom	Action
Does not operate or cool.	<ul style="list-style-type: none">• Make sure the power cord is connected properly.• Make sure the temperature control is set correctly.• Make sure to keep the refrigerator away from direct sunlight or a heat source. Failing to do so may affect the cooling performance.• Make sure the refrigerator has enough room from the rear and side walls or the cabinet. Failing to do so may affect the cooling performance.• Too much food may block the ventilation of the refrigerator. To keep the refrigerator in normal operation, do not put too much food inside.
Food in the fridge freezes.	<ul style="list-style-type: none">• Check if the temperature control is set to the lowest temperature. If so, change the temperature to higher or optimal.• This happens if the ambient temperature is too low. Set the temperature higher.• Check if food containing a high portion of water is put in the coldest area of the fridge or near the cooling vent. If this happens, move the food to other shelves in the fridge.
Emits noises.	<ul style="list-style-type: none">• Make sure the refrigerator is installed on a stable, flat surface.• Make sure the refrigerator has enough room from the rear and side walls or the cabinet.• Make sure to keep the refrigerator from impurities or foreign objects inside or underneath.• The refrigerator may produce a ticking sound from inside, which occurs when the various removable parts contract or expand. This is not a system failure.

Symptom	Action
The front corners and sides become warm and form condensation.	<ul style="list-style-type: none"> To prevent condensation from forming, the refrigerator has heat-proof piping in the front corners. If the ambient temperature rises, this equipment may not work effectively. This is not a system failure. Condensation may form on the exterior surface of the refrigerator if humid air comes into contact with the cool surface of the refrigerator.
The ice maker does not make ice.	<ul style="list-style-type: none"> You must wait for 12 hours until the refrigerator makes ice. Make sure the ice maker is not stopped while making ice. Make sure the freezer is set below 0 °C (or -5 °C in warm ambient air). Make sure the water tank is filled with water.
The water dispenser is not functioning.	<ul style="list-style-type: none"> Check if the water tank is frozen. If so, select a higher fridge temperature. Make sure the water tank is filled with water. Make sure the water tank is installed properly. Make sure the water filter is installed properly.
Produces a bubbling sound.	<ul style="list-style-type: none"> The refrigerator makes this sound during the cooling process, which is normal.
A bad smell comes from inside the refrigerator.	<ul style="list-style-type: none"> Check for any spoiled food. We recommend cleaning the refrigerator on a regular basis and remove any spoiled or suspect food items. Make sure strong smelling food is wrapped up airtight.
Frost forms on the interior walls.	<ul style="list-style-type: none"> Make sure no food blocks the vents of the refrigerator. It is also important to arrange food items evenly for ventilation. Make sure the door is closed properly.
Condensation forms on the interior walls or around vegetables.	<ul style="list-style-type: none"> This happens when food containing a high portion of water is stored uncovered, or the door has been left open for a while. Make sure food is covered or put in sealed containers.

Troubleshooting

SmartThings

Symptom	Action
Could not find "SmartThings" in the app market.	<ul style="list-style-type: none"> The supporting software version of the SmartThings app is subject to change according to the OS supporting policy the manufacturer provides. In addition, as for the SmartThings app or the functions that the app supports, the new application update policy on the existing OS version can be suspended due to usability or security reasons.
The SmartThings app fails to operate.	<ul style="list-style-type: none"> The SmartThings app is available for applicable models only. The old Samsung Smart Refrigerator app cannot connect with Samsung Smart Home models.
The SmartThings app is installed but is not connected to my refrigerator.	<ul style="list-style-type: none"> You must log into your Samsung account to use the app. Make sure that your router is operating normally. If the Wi-Fi icon on the refrigerator's display is off, this indicates that no network connection has been established yet. In this case, use the SmartThings app to connect and register your refrigerator to the access point (AP) of your house.
Could not log into the app.	<ul style="list-style-type: none"> You must log into your Samsung account to use the app. If you don't have a Samsung account, follow the app's onscreen instructions to create one.
An error message appears when I try to register my refrigerator.	<ul style="list-style-type: none"> Easy Connection may fail due to the distance from your access point (AP) or electrical interference from the surrounding environment. Wait a moment and try again.
The SmartThings app is successfully connected to my refrigerator but does not run.	<ul style="list-style-type: none"> Exit and restart the SmartThings app, or disconnect and reconnect the router. Power off the refrigerator, and then power it on again after 1 minute.
The Wi-Fi icon is blinking. ()	<ul style="list-style-type: none"> Connect your refrigerator with the SmartThings app before use. When the connection is made successfully, the indicator stops blinking. <ul style="list-style-type: none"> If you fail to make connection or don't want to use the app, press and hold the Fridge button for 10 seconds. The indicator stops blinking.

Appendix

Safety Instruction

- For the most efficient use of energy, please keep the all inner fittings such as baskets, drawers, shelves and ice cube tray on the position supplied by manufacturer.
- This refrigerating appliance is not intended to be used as a built-in appliance.

Install Instruction

For refrigerating appliances with climate class

Depending on the climate class, This refrigerating appliance is intended to be used at ambient temperatures range as specified following table.

The climate class can be found on the rating plate. The product may not operate properly at temperatures outside of the specific range.

You can find climate class on label inside of your refrigerator

Effective temperature range

The refrigerator is designed to operate normally in the temperature range specified by its class rating.

Class	Symbol	Ambient Temperature range (°C)	
		IEC 62552 (ISO 15502)	ISO 8561
Extended Temperate	SN	+10 to +32	+10 to +32
Temperate	N	+16 to +32	+16 to +32
Subtropical	ST	+16 to +38	+18 to +38
Tropical	T	+16 to +43	+18 to +43

NOTE

The cooling performance and power consumption of the refrigerator may be affected by the ambient temperature, the door-opening frequency, and the location of the refrigerator. We recommend adjusting the temperature settings as appropriate.

Appendix

Temperature Instruction

Recommended Temperature

The optimal temperature setting for food storage:

- Fridge: 3 °C
- Freezer: -19 °C
- Fridge of Freezer Convert: 3 °C
- Knob models: The optimal temperature setting for food storage
- Fridge: 3step (3 °C) / Freezer: 3step (-19 °C)

NOTE

The optimal temperature setting of each compartment depends on the ambient temperature. Above optimal temperature is based on the ambient temperature of 25 °C.

Power Cool

Power Cool speeds up the cooling process at maximum fan speed. The fridge keeps running at full speed for two and a half hours and then returns to the previous temperature.

Power Freeze

Power Freeze speeds up the freezing process at maximum fan speed. The freezer keeps running at full speed for 50 hours and then returns to the previous temperature. To freeze large amounts of food, activate Power Freeze for at least 20 hours before putting food in the freezer.

NOTE

When you use this function the energy consumption of the refrigerator will increase. Remember to turn it off when you don't need it and return the freezer to your original temperature setting.

How to store for best preservation (applicable models only)

Cover foods to retain moisture and prevent them from picking up odors from other foods. A large pot of food like soup or stew should be divided into small portions and put in shallow containers before being refrigerated. A large cut of meat or whole poultry should be divided into smaller pieces or placed in shallow containers before refrigerating.

Placement of Foods

Shelves	Shelves should be adjustable to accommodate a variety of packages.
Specialized compartment (applicable models only)	Sealed crisper drawers provide an optimal storage environment for fruits and vegetables. Vegetables require higher humidity conditions while fruits require lower humidity conditions. Crispers are equipped with controls devices to control the humidity level. (*Depending on model and options) An adjustable temperature meat drawer maximizes the storage time of meats and cheeses.
Stored on the door	Don't store perishable foods in the door. Eggs should be stored in the carton on a shelf. The temperature of the storage bins in the door fluctuate more than the temperature in the cabinet. Keep the door closed as much as possible.
Freezer Compartment	You can store frozen food, make ice cubes and freeze fresh food in the freezer compartment.

NOTE

Freeze fresh, undamaged food only. Keep food which is to be frozen away from food which is already frozen. To prevent food from losing its flavour or drying out, place in airtight containers.

Refrigerator & Freezer Storage Chart

The freshness longevity depends on temperature and exposure to moisture. Since product dates aren't a guide for safe use of a product, consult this chart and follow these tips.

Milk products

Product	Refrigerator	Freezer
Milk	1 week	1 month
Butter	2 weeks	12 months
Ice cream	-	2-3 weeks
Natural cheese	1 month	4-6 months
Cream cheese	2 weeks	Not recommended
Yogurt	1 month	-

Appendix

Meat

Product	Refrigerator	Freezer
Fresh roasts, steaks, chops	3-4 days	2-3 months
Fresh ground meat, stew meat	1-2 days	3-4 months
Bacon	7 days	1 month
Sausage, Raw from pork, beef, turkey	1-2 days	1-2 months

Poultry / Eggs

Product	Refrigerator	Freezer
Fresh poultry	2 days	6-8 months
Poultry salad	1 day	-
Eggs, Fresh in shell	2-4 weeks	Not recommended

Fish / Seafood

Product	Refrigerator	Freezer
Fresh fish	1-2 days	3-6 months
Cooked fish	3-4 days	1 month
Fish salad	1 day	Not recommended
Dried or pickled fish	3-4 weeks	-

Fruits

Product	Refrigerator	Freezer
Apples	1 month	-
Peaches	2-3 weeks	-
Pineapple	1 week	-
Other fresh fruit	3-5 days	9-12 months

Vegetables

Product	Refrigerator	Freezer
Asparagus	2-3 days	-
Broccoli, Brussels sprouts, green peas, mushrooms	3-5 days	-
Cabbage, cauliflower, celery, cucumbers, lettuce	1 week	-
Carrots, beets, radishes	2 weeks	-

Information for model and ordering spare parts

Model information

To access the EPREL registration of the model :

1. Go to <https://eprel.ec.europa.eu>
2. Get the model identifier from the energy label of the product and type it in the search box
3. Energy Labelling information of the model is shown

Part information

- The minimum period during which spare parts, necessary for the repair of the appliance, are available
 - 7 Years thermostats, temperature sensors, printed circuit boards and light sources, door handles, door hinges, trays, baskets (boxes or drawers)
 - 10 Years door gaskets
- The minimum duration of the guarantee of the refrigerating appliance offered by the manufacturer 24 Months.
- Relevant information for ordering spare parts, directly or through other channels provided by the manufacturer, importer or authorized representative
- You can find professional repair information on <http://samsung.com/support>.
You can find user servicing manual on <http://samsung.com/support>.

Open Source Announcement

The software included in this product contains open source software.

The following URL http://opensource.samsung.com/opensource/SMART_TP2_0/seq/0 leads to open source license information as related to this product.



Memo

NOTE

Hereby, Samsung declares that this radio equipment is in compliance with Directive 2014/53/EU and with the relevant statutory requirements in the UK.

The full text of the EU declaration of conformity and the UK declaration of conformity is available at the following internet address: The official Declaration of conformity may be found at <http://www.samsung.com>, go to Support > Search Product Support and enter the model name.

	Frequency range	Transmitter power (Max)
Wi-Fi	2412 - 2472 MHz	20 dBm
Bluetooth	2402 - 2480 MHz	20 dBm

Contact SAMSUNG WORLD WIDE

If you have any questions or comments relating to Samsung products, please contact the SAMSUNG customer care centre.

Country	Contact Center	Website
CYPRUS	8009 4000 only from landline, toll free	www.samsung.com/gr/support
GREECE	80111-SAMSUNG (80111 726 7864) only from land line (+30) 210 6897691 from mobile and land line	
ITALIA	800-SAMSUNG (800.7267864)	www.samsung.com/it/support
PORTUGAL	210 608 098 Chamada para a rede fixa nacional Dias úteis das 9h às 20h	www.samsung.com/pt/support
SPAIN	91 175 00 15	www.samsung.com/es/support



DA68-03723H-00

Frigorifero

Manuale dell'utente

RT58*/RT62*

Apparecchio a libera installazione

SAMSUNG

Indice

Informazioni di sicurezza	4
Simboli di sicurezza e precauzioni importanti:	6
Simboli relativi a importanti avvertenze per il trasporto e il luogo di installazione	6
Avvertenze per installazioni critiche	7
Precauzioni per l'installazione	10
Importanti avvertenze per l'uso	11
Precauzioni per l'uso	15
Avvertenze per la pulizia	18
Importanti avvertenze per la pulizia	20
Ulteriori suggerimenti per un uso corretto	21
Consigli per risparmiare energia	22
Questo apparecchio è progettato per un uso domestico o applicazioni simili quali	22
Informazioni sul simbolo WEEE (RAEE)	23
Installazione	24
Il frigorifero in breve	24
Passaggi di installazione	26
Funzionamento	30
Pannello principale	30
SmartThings	37
Funzioni speciali	40
Manutenzione	43
Pulizia e manutenzione	43
Pulizia	44
Sostituzione	45
Risoluzione dei problemi	46
Generale	46
SmartThings	48

Appendice	49
Istruzioni di sicurezza	49
Istruzioni di installazione	49
Istruzioni sulla temperatura	50
Informazioni sul modello e l'ordinazione di parti di ricambio	53
Open Source Announcement	54

Informazioni di sicurezza

- Prima di utilizzare il nuovo frigorifero Samsung, leggere completamente questo manuale in modo da conoscerne le caratteristiche e le funzioni così da utilizzare l'apparecchio in modo sicuro ed efficiente.
- Questo apparecchio non è inteso per l'uso da parte di persone (bambini inclusi) che abbiano ridotte capacità fisiche, sensoriali o mentali, o siano prive di esperienza o conoscenza, a meno che siano state fornite loro istruzioni per l'uso da parte di una persona responsabile della loro sicurezza o che sovrintenda all'uso dell'apparecchio.
- Questo apparecchio può essere utilizzato da bambini di età superiore agli 8 anni e da persone con ridotte capacità fisiche, sensoriali o mentali o senza esperienza o conoscenza del prodotto solo sotto la supervisione di una persona responsabile o nel caso in cui abbiano ricevuto informazioni specifiche sull'uso sicuro dell'apparecchio e ne abbiano compreso i rischi ad esso associati. Non consentire ai bambini di giocare con l'apparecchio. La pulizia e la manutenzione dell'apparecchio non devono essere eseguite da bambini senza la supervisione di un adulto.
- Le avvertenze e le importanti istruzioni di sicurezza riportate in questo manuale non coprono tutte le possibili condizioni e situazioni che possono verificarsi.
E' responsabilità dell'utente utilizzare l'apparecchio con buon senso, prestando la massima attenzione e cura in fase di installazione, manutenzione e funzionamento.
- Poiché le seguenti istruzioni operative coprono i vari modelli disponibili, le caratteristiche del frigorifero possono differire da quelle descritte in questo manuale e non tutti i simboli di avvertenza possono essere applicabili. In caso di dubbi o domande rivolgersi al centro assistenza di zona o visitare il sito www.samsung.com per reperire le informazioni necessarie.

- Come refrigerante vengono utilizzati i gas R-600a o R-134a. Controllare l'etichetta del compressore sul retro dell'apparecchio e l'etichetta della potenza nominale all'interno del frigorifero per individuare il tipo di refrigerante utilizzato. Se il prodotto contiene gas infiammabile (refrigerante R-600a), contattare l'ente locale preposto per lo smaltimento sicuro di questo prodotto.
- Per evitare la possibile formazione di una miscela di aria e gas infiammabile, in caso di una perdita nel circuito di raffreddamento, la dimensione del locale in cui viene installato il prodotto deve essere adeguata alla quantità di refrigerante utilizzato.
- Non attivare mai un apparecchio che mostri chiari segni di danni. In caso di dubbi, consultare il rivenditore. La dimensione del locale deve essere calcolata considerando 1 m³ di spazio per ogni 8 g di refrigerante R-600a contenuto nell'apparecchio.
La quantità di refrigerante utilizzata nell'apparecchio è indicata nella targhetta identificativa all'interno dell'unità.
- Eventuali schizzi di refrigerante fuoriuscito dalle tubazioni possono provocare incendio o lesioni oculari. In caso di perdita di refrigerante dalle tubazioni, evitare il contatto del prodotto con fiamme libere o qualsiasi altra fonte infiammabile e ventilare immediatamente il locale.
 - La mancata osservanza di questa precauzione può causare un incendio o una esplosione.
- L'esecuzione autonoma della manutenzione di questo apparecchio può comportare pericoli; per esigenze di manutenzione, rivolgersi al centro assistenza.



ATTENZIONE: Rischio di incendio / materiali infiammabili



Informazioni di sicurezza

Simboli di sicurezza e precauzioni importanti:

AVVERTENZA

Pericoli o pratiche non sicure che possono causare **lesioni personali gravi o mortali**.

ATTENZIONE

Pericoli o pratiche non sicure che possono causare **lesioni personali lievi o danni alla proprietà**.

Questi simboli di avvertenza hanno lo scopo di prevenire lesioni personali. Seguire attentamente le istruzioni ad essi associate.

Una volta letto, si raccomanda di conservare il manuale in un luogo sicuro per future consultazioni.

Simboli relativi a importanti avvertenze per il trasporto e il luogo di installazione

AVVERTENZA

- Durante il trasporto e l'installazione dell'apparecchio, prestare attenzione a non danneggiare alcuna parte del circuito refrigerante.
 - Una perdita di refrigerante dalla tubazione può infiammarsi o causare lesioni oculari. Se si rileva una perdita, evitare l'uso di fiamme libere o potenziali fonti di accensione nei pressi e aerare il locale per alcuni minuti.
 - Questo apparecchio contiene, come refrigerante, una minima quantità di isobutano (R-600a), il quale, nonostante sia un gas naturale a basso impatto ambientale, è comunque combustibile. Durante il trasporto e l'installazione dell'apparecchio, prestare attenzione a non danneggiare alcuna parte del circuito refrigerante.



Avvertenze per installazioni critiche

AVVERTENZA

- Non installare il frigorifero in un luogo umido o dove possa entrare a contatto con acqua.
 - L'usura del rivestimento isolante delle parti elettriche può causare scariche elettriche o un incendio.
- Non collocare il frigorifero in una posizione esposta alla luce solare diretta o al calore di stufe, radiatori o altri apparecchi di riscaldamento.
- Non collegare più apparecchi a una presa multipla. Il frigorifero deve essere sempre collegato a una presa elettrica separata in grado di sostenere una tensione corrispondente a quanto riportato sull'etichetta apposto sul frigorifero.
 - Ciò consente di ottenere le migliori prestazioni e prevenire il sovraccarico dell'impianto domestico che potrebbe causare un incendio a causa del surriscaldamento dei cavi.
- Se la presa elettrica è allentata, non inserire la spina.
 - Rischio di incendio o scariche elettriche.
- Non utilizzare un cavo con evidenti segni di usura o abrasione lungo il rivestimento o alle estremità.
- Non piegare eccessivamente il cavo di alimentazione né posizzionarvi sopra oggetti pesanti.
- Non piegare o tirare eccessivamente il cavo di alimentazione.
- Non torcere o annodare il cavo di alimentazione.
- Non agganciare il cavo elettrico a oggetti metallici, non collocarvi sopra oggetti pesanti, non far correre il cavo tra oggetti, né spingere il cavo dietro l'apparecchio.
- Durante lo spostamento del frigorifero, prestare attenzione a non schiacciare o danneggiare il cavo di alimentazione.
 - Ciò può portare a scariche elettriche o un incendio.



Informazioni di sicurezza

- Non scollegare mai l'alimentazione dal frigorifero tirando il cavo di alimentazione. Afferrare sempre la spina e tirarla verso di sé per estrarla dalla presa.
 - Un cavo danneggiato può causare un cortocircuito, un incendio o una scarica elettrica.
- Non conservare sostanze potenzialmente esplosive, come bombolette spray contenenti gas infiammabili, all'interno di questo apparecchio.
- Non installare l'apparecchio vicino ad una fonte di calore o materiale infiammabile
- Non installare l'apparecchio in un locale in cui possa verificarsi una perdita di gas.
 - Ciò può portare a scariche elettriche o un incendio.
- Questo frigorifero deve essere posizionato correttamente ed installato seguendo le istruzioni fornite in questo manuale prima dell'uso.
- Collegare la spina inserendola nella posizione corretta con il cavo rivolto verso il basso.
 - Collegando la spina elettrica al contrario, il cavo potrebbe danneggiarsi e causare scariche elettriche o un incendio.
- Accertarsi che la spina non sia schiacciata o danneggiata dal retro del frigorifero.
- Tenere i materiali di imballaggio lontano dalla portata dei bambini.
 - Sussiste il rischio di morte a causa di soffocamento qualora un bambino inserisca la testa nei materiali da imballaggio.
- L'apparecchio deve essere posizionato in modo che la spina sia facilmente accessibile dopo l'installazione.
 - La mancata osservanza di questa precauzione può causare un incendio o scariche elettriche per dispersione di corrente.



- Non installare l'apparecchio in un locale soggetto a umidità, fumi d'olio o polvere, luce solare diretta o acqua (pioggia).
 - L'usura del rivestimento isolante delle parti elettriche può causare scariche elettriche o un incendio.
- Qualora si riscontri la presenza all'interno del frigorifero di polvere o acqua, estrarre la spina dalla presa di corrente e contattare un Centro di assistenza autorizzato Samsung.
 - In caso contrario, potrebbe verificarsi un incendio.
- Non salire sul prodotto né appoggiarvi sopra oggetti (biancheria, candele e sigarette accese, piatti, sostanze chimiche, oggetti metallici, ecc.).
 - Ciò può provocare scariche elettriche, un incendio o problemi al prodotto o lesioni personali.
- Prima di collegare alla presa di corrente per la prima volta il frigorifero è necessario rimuovere tutte le pellicole protettive.
- Sorvegliare i bambini per accertarsi che non giochino con le cerniere a scatto usate per regolare lo sportello o i fermi del tubo dell'acqua.
 - Qualora un anello di ritenuta o un fermo del tubo dell'acqua venga ingerito da un bambino, potrebbe soffocarlo. Tenere gli anelli di ritenuta ed i fermi del tubo dell'acqua fuori dalla portata dei bambini.
- Il frigorifero deve essere collegato alla terra.
 - Accertarsi sempre che il frigorifero sia correttamente collegato alla terra prima di tentare di riparare eventuali malfunzionamenti. Eventuali dispersioni di corrente possono provocare serie scariche elettriche.
- Per il collegamento a terra non utilizzare condotte del gas, linee telefoniche o altri tubi e barre che potenzialmente potrebbero fungere da parafulmini.
 - Per evitare dispersioni di corrente o scariche elettriche causate dalle dispersioni del frigorifero, collegare l'apparecchio alla terra.

Informazioni di sicurezza

- La mancata osservanza di questa precauzione può causare scariche elettriche, incendio, esplosione o malfunzionamenti del prodotto.
- Inserire saldamente la spina nella presa di corrente. Non usare prese di corrente o cavi di alimentazione danneggiati o prese di corrente allentate.
 - Ciò può portare a scariche elettriche o un incendio.
- Qualora il cavo di alimentazione sia danneggiato, rivolgersi al costruttore o ad un Centro di assistenza autorizzato per sostituirlo.
- Il fusibile del frigorifero deve essere sostituito da un tecnico qualificato o da un centro assistenza autorizzato.
 - Il mancato rispetto di questa precauzione può causare scariche elettriche o lesioni personali.
- Nel posizionare l'apparecchio, assicurarsi che il cavo di alimentazione non sia impigliato o danneggiato.
- Non posizionare multiprese o alimentatori portatili sul retro dell'apparecchio.

Precauzioni per l'installazione

ATTENZIONE

- Lasciare sufficiente spazio intorno al frigorifero ed installarlo su una superficie piana e stabile.
 - Mantenere le aperture di ventilazione dell'apparecchio o della struttura a incasso libere da ostruzioni.
- Lasciare riposare l'apparecchio per circa 2 ore dopo l'installazione prima di inserire il cibo al suo interno ed accenderlo.
- Si consiglia caldamente di far eseguire l'installazione del frigorifero ad un tecnico qualificato.
 - Il mancato rispetto di questa precauzione può causare scariche elettriche, incendio, esplosione, malfunzionamenti o lesioni.
- Un carico eccessivo su una delle porte potrebbe provocare la caduta del frigorifero e causare lesioni.

Importanti avvertenze per l'uso

AVVERTENZA

- Non toccare la spina elettrica con le mani bagnate.
 - La mancata osservanza di questa precauzione può causare una scarica elettrica.
- Non collocare alcun oggetto sopra il frigorifero.
 - Durante l'apertura o la chiusura della porta, un articolo potrebbe cadere provocando lesioni o danni.
- Non inserire mani, piedi, oggetti metallici (per esempio spiedini, ecc.) sul fondo o sul retro del frigorifero.
 - La mancata osservanza di questa precauzione può causare scariche elettriche o lesioni.
 - I bordi taglienti possono causare lesioni.
- Non toccare le pareti interne del freezer o i prodotti surgelati con le mani bagnate.
 - Ciò potrebbe causare il congelamento delle dita.
- Non conservare sul frigorifero contenitori pieni d'acqua.
 - In caso di fuoriuscita, l'acqua potrebbe causare scariche elettriche o un incendio.
- Non conservare all'interno del frigorifero oggetti infiammabili o sostanze volatili (benzene, diluenti, gas propano, alcol, etere, GPL e sostanze simili).
 - Il frigorifero è idoneo solo alla conservazione di alimenti.
 - La mancata osservanza di questa precauzione può causare un incendio o una esplosione.
- Sorvegliare i bambini affinché non giochino con l'apparecchio.
 - Tenere le dita lontano dalle aree di possibile schiacciamento. Lo spazio tra le porte e la struttura è necessariamente ristretto. Prestare attenzione all'apertura delle porte in presenza di bambini.
- Non permettere ai bambini di appendersi alle porte o ai balconcini della porta. In caso contrario, potrebbero riportare gravi lesioni.



Informazioni di sicurezza

- Non permettere ai bambini di accedere al frigorifero. Potrebbero restare intrappolati all'interno.
- Non inserire le mani nell'area inferiore sotto l'apparecchio.
 - I bordi taglienti possono causare lesioni.
- Non conservare in frigorifero prodotti medicinali, materiale scientifico o prodotti sensibili alla temperatura.
 - I prodotti che necessitano di severi controlli della temperatura non devono essere conservati in frigorifero.
- Non collocare o utilizzare apparecchiature elettriche all'interno del frigo/freezer, a meno che non siano del tipo consigliato dal produttore.
- Se si avverte un odore di medicinale o si nota del fumo uscire dall'apparecchio, staccare la spina dalla presa e chiamare il Centro assistenza Samsung Electronics.
- Se all'interno del frigorifero è penetrata polvere o acqua, scollegare la spina dalla presa di corrente e rivolgersi al centro assistenza Samsung Electronics.
 - In caso contrario, potrebbe verificarsi un incendio.
- Non lasciare che i bambini salgano sui cassetti.
 - Il cassetto potrebbe rompersi e farli cadere.
- Non lasciare le porte del frigorifero aperte senza sorveglianza e non permettere ai bambini di entrare all'interno dell'apparecchio.
- Non lasciare che neonati o bambini penetrino all'interno del vano frigo o dei cassetti.
 - In caso contrario, potrebbero riportare lesioni o morire per soffocamento.
- Non riempire eccessivamente il frigorifero.
 - L'apertura dello sportello potrebbe provocare la caduta di un prodotto causando lesioni personali o danni materiali.



- Non spruzzare sostanze volatili come per esempio insetticidi sulla superficie dell'apparecchio.
 - Oltre ad essere dannosi per l'uomo, possono causare scariche elettriche, incendio o malfunzionamenti.
- Non utilizzare né collocare sostanze sensibili alla temperatura, come ad esempio spray e oggetti infiammabili, ghiaccio secco, farmaci o sostanze chimiche vicino o dentro il frigorifero.
- Non utilizzare un asciugacapelli per asciugare l'interno del frigorifero. Non inserirvi candele accese per eliminare i cattivi odori.
 - Ciò può portare a scariche elettriche o un incendio.
- Riempire il serbatoio dell'acqua, il vassoio del ghiaccio ed i cubetti di ghiaccio solo con acqua potabile (acqua minerale o purificata).
 - Non riempire il serbatoio con tè, succhi di frutta o bevande energetiche, in caso contrario il frigorifero potrebbe subire danni.
- Non salire sul prodotto né appoggiarvi sopra oggetti (biancheria, candele e sigarette accese, piatti, sostanze chimiche, oggetti metallici, ecc.). Ciò può provocare scariche elettriche, un incendio o problemi al prodotto o lesioni personali. Non appoggiare sull'apparecchio contenitori pieni di acqua.
 - In caso di fuoriuscita, l'acqua potrebbe causare scariche elettriche o un incendio.
- Per accelerare il processo di sbrinamento, non utilizzare dispositivi meccanici o altri mezzi diversi da quelli consigliati dal costruttore.
- Non danneggiare il circuito refrigerante.
- Non guardare direttamente la lampadina LED per un lungo periodo di tempo.
 - In caso contrario i raggi ultravioletti potrebbero causare un affaticamento della vista.



Informazioni di sicurezza

- Non inserire i ripiani alla rovescia. I fine corsa dei ripiani non funzionerebbero.
 - Ciò potrebbe causare lesioni personali causate dalla caduta dei ripiani in vetro.
- Tenere le dita lontano dalle aree di possibile schiacciamento. Lo spazio tra le porte e la struttura è necessariamente ristretto. Prestare attenzione all'apertura delle porte in presenza di bambini.
- Se si rileva una perdita di gas, evitare l'uso di fiamme libere o potenziali fonti di accensione nei pressi e aerare il locale per alcuni minuti.
 - Non toccare né l'apparecchio né il cavo di alimentazione.
 - Non utilizzare ventilatori o aspiratori elettrici.
 - Una scintilla può causare una esplosione o un incendio.
- Utilizzare solo lampade LED fornite dal costruttore o dal centro assistenza.
- Riporre le bottiglie una vicina all'altra nel medesimo scomparto in modo che non possano cadere all'apertura della porta.
- Questo prodotto è inteso solo per la conservazione di alimenti in ambito domestico.
- Non tentare di riparare, disassemblare o modificare l'apparecchio autonomamente.
 - Eventuali modifiche non autorizzate possono provocare problemi di sicurezza. Per ripristinare eventuali modifiche non autorizzate, verranno addebitati i costi delle parti di ricambio e della manodopera necessaria per la loro sostituzione.
- Non utilizzare fusibili diversi (quali cavi di rame, acciaio, ecc) diversi dai fusibili standard.
- Se l'apparecchio deve essere riparato o reinstallato, rivolgersi al più vicino centro di assistenza.
 - Il mancato rispetto di questa precauzione può causare scariche elettriche, incendio, malfunzionamenti del prodotto o lesioni.
- Se una lampadina a LED interna o esterna si brucia, contattare l'assistenza.



- Qualora si avverta un odore di medicinale o si noti del fumo uscire dall'apparecchio, staccare la spina dalla presa e chiamare un Centro di assistenza Samsung Electronics.
 - Il mancato rispetto di questa precauzione può causare scariche elettriche o un incendio.
- Prima di sostituire le lampadine interne del frigorifero, scollegare l'apparecchio dalla presa elettrica.
 - In caso contrario, vi è il rischio di scariche elettriche.
- In caso di difficoltà nella sostituzione di una lampadina non a LED, rivolgersi ad un Centro di assistenza Samsung.
- Se il prodotto è dotato di lampadine LED, non disassemblare l'insieme coprilampada/lampada LED autonomamente.
 - Contattare un Centro di assistenza Samsung.
- Inserire saldamente la spina nella presa di corrente.
- Non utilizzare spine, prese di corrente o cavi di alimentazione danneggiati.
 - Ciò può portare a scariche elettriche o un incendio.

Precauzioni per l'uso

ATTENZIONE

- Non congelare nuovamente cibi già scongelati. Non posizionare bevande gassate o effervescenti nel comparto del freezer. Non inserire bottiglie o bicchieri nel freezer.
 - Quando il contenuto si congela, il vetro del contenitore potrebbe rompersi causando lesioni.
- Usare solo l'ice maker fornito insieme al frigorifero.

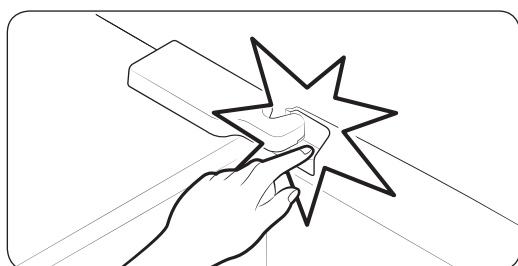


Informazioni di sicurezza

- Per ottenere le migliori prestazioni dal prodotto:
 - Non collocare alimenti davanti alle aperture di ventilazione sul retro del frigorifero per evitare di ostruire la circolazione dell'aria all'interno del frigorifero.
 - Avvolgere i cibi adeguatamente o riporli in contenitori sottovuoto prima di conservarli nel frigorifero.
 - Non collocare bicchieri, bottiglie o bevande gassate nel freezer. Essi possono ghiacciare e rompersi. I contenitori di vetro rotti possono provocare lesioni.
 - Rispettare i tempi di conservazione massimi e le date di scadenza degli alimenti congelati.
- Non collocare bicchieri, bottiglie o bevande gassate nel freezer.
 - Questi contenitori potrebbero congelarsi e rompersi, provocando lesioni.
- Non posizionare bevande gassate o effervescenti nel comparto del freezer. Non inserire bottiglie o bicchieri nel freezer.
 - Durante il surgelamento del contenuto, il vetro potrebbe rompersi e causare lesioni personali e danni materiali.
- Garanzia di assistenza e modifiche.
 - Eventuali modifiche eseguite da terzi su questo apparecchio non saranno coperte dalla garanzia Samsung, inoltre Samsung non potrà essere ritenuta responsabile per problemi di sicurezza e danni risultanti da modifiche eseguite da terzi.
- Non ostruire le aperture di ventilazione situate all'interno del frigorifero.
 - Se le aperture di ventilazione sono ostruite, per esempio da un sacchetto di plastica, il frigorifero potrebbe raffreddarsi eccessivamente. Se il periodo di raffreddamento è troppo lungo, il filtro dell'acqua potrebbe rompersi e causare una perdita d'acqua.
- Usare solo l'ice maker fornito insieme al frigorifero.



- Asciugare all'interno l'umidità in eccesso e lasciare le porte aperte.
 - In caso contrario, all'interno possono svilupparsi cattivi odori e muffe.
- Se il frigorifero viene scollegato dalla presa elettrica, attendere almeno cinque minuti prima di collegarlo nuovamente.
- Se il frigorifero entra a contatto con l'acqua, scollegare la spina di alimentazione dalla presa di corrente e contattare il centro assistenza Samsung Electronics.
- Non urtare o applicare una forza eccessiva sulle superfici in vetro.
 - La rottura del vetro può provocare lesioni personali e/o danni alla proprietà.
- Riempire il serbatoio dell'acqua e le vaschette dei cubetti di ghiaccio con acqua potabile (acqua dall'acquedotto, acqua minerale o purificata).
 - Non riempire il serbatoio con tè o bevande sportive. Ciò potrebbe danneggiare il frigorifero



- Prestare attenzione a non schiacciarsi le dita.

- Le lampadine del frigo e del freezer potrebbero spegnersi se le porte del frigo e del freezer rimangono aperte per più di 2 secondi.
 - Le lampadine si riaccenderanno una volta chiuse e riaperte le porte.
- Se sull'apparecchio è stata versata dell'acqua, contattare il più vicino centro di assistenza.
 - Sussiste il rischio di incendio o di scariche elettriche.

Informazioni di sicurezza

- Non conservare olii vegetali nei balconcini della porta del frigorifero. L'olio potrebbe solidificarsi ed il suo sapore ne risulterebbe alterato, rendendo l'olio difficile da utilizzare. Inoltre, il contenitore aperto potrebbe perdere, nel qual caso l'olio fuoriuscito potrebbe, solidificandosi, provocare la rottura del balconcino. Una volta aperto il contenitore dell'olio, si consiglia di conservarlo in un luogo fresco e al riparo dalla luce, quale ad esempio una credenza o un ripostiglio.
 - Esempi di olii vegetali: olio di oliva, di semi, vinacciolo, ecc.

Avvertenze per la pulizia

ATTENZIONE

- Non spruzzare acqua direttamente sull'interno o l'esterno del frigorifero.
 - Pericolo di scariche elettriche o incendi.
- Non utilizzare un asciugacapelli per asciugare l'interno del frigorifero.
- Non collocarvi candele accese per eliminare i cattivi odori.
 - Ciò può portare a scariche elettriche o un incendio.
- Non spruzzare prodotti per la pulizia direttamente sul display.
 - Le lettere stampate sul display potrebbero non essere più visibili.
- Se sostanze estranee, per esempio acqua, penetrano all'interno dell'apparecchio, scollegare la spina di alimentazione e rivolgersi al più vicino centro di assistenza.
 - Il mancato rispetto di questa precauzione può causare scariche elettriche o un incendio.
- Usare un panno morbido e pulito per rimuovere eventuali sostanze estranee o polvere dai contatti della spina del cavo di alimentazione. Non utilizzare un panno bagnato o umido durante la pulizia della presa.
 - In caso contrario, sussiste il pericolo di scariche elettriche o incendi.
- Non pulire l'apparecchio spruzzandovi direttamente sopra acqua.

-
- Non usare benzene, diluenti o prodotti per la pulizia quali Clorox o a base di cloruro.
 - L'uso di questi prodotti potrebbe danneggiare la superficie dell'apparecchio e causare un incendio.
 - Non inserire mai le dita o altri oggetti nel foro del dispenser.
 - Ciò potrebbe causare lesioni personali o danni materiali.
 - Prima di eseguire la pulizia o la manutenzione dell'apparecchio, scollegare la spina dalla presa di corrente.
 - Il mancato rispetto di questa precauzione può causare scariche elettriche o un incendio.
 - Per pulire il frigorifero usare una spugna pulita o un panno morbido ed un detergente non aggressivo in acqua calda.
 - Non usare detergenti abrasivi o aggressivi quali detergenti per vetri, pagliette abrasive, liquidi infiammabili, acido muriatico, pasta abrasiva, detersivi concentrati, candeggina o detergenti contenenti petrolio sulla superficie esterna (porte e carrozzeria), parti in plastica, porte e rivestimenti interni, e cestelli.
 - Tali prodotti possono infatti graffiare o danneggiare i materiali.
 - Non pulire i ripiani di vetro o coperchi con acqua calda quando sono freddi. I coperchi ed i ripiani di vetro possono rompersi se esposti ad un repentino cambiamento di temperatura, urtati o lasciati cadere.



Informazioni di sicurezza

Importanti avvertenze per la pulizia

AVVERTENZA

- Si raccomanda di smaltire e riciclare i materiali di imballaggio di questo prodotto secondo quanto previsto dalle norme vigenti.
- Verificare l'integrità delle tubazioni sul retro dell'apparecchio prima di smaltirlo.
- Come refrigerante vengono utilizzati i gas R-600a o R-134a. Controllare l'etichetta del compressore sul retro dell'apparecchio e l'etichetta della potenza nominale all'interno del frigorifero per individuare il tipo di refrigerante utilizzato. Se il prodotto contiene gas infiammabile (refrigerante R-600a), contattare l'ente locale preposto per lo smaltimento sicuro di questo prodotto.
- Per lo smaltimento di questo prodotto o di altri frigoriferi, rimuovere le porte, le guarnizioni e le chiusure delle porte in modo che bambini o animali non possano rimanere intrappolati all'interno. Sorvegliare i bambini affinché non giochino con l'apparecchio. Se i bambini rimangono intrappolati all'interno dell'apparecchio, possono morire per soffocamento.
 - Se un bambino, giocando, rimane intrappolato all'interno dell'apparecchio potrebbe ferirsi e morire per soffocamento.
- L'isolante utilizzato è il ciclopentano. I gas contenuti nel materiale isolante richiedono speciali procedure di smaltimento. Contattare l'autorità locale competente per informazioni sul corretto smaltimento di questo prodotto.
- Tenere tutti i materiali di imballaggio lontano dalla portata dei bambini, poiché possono essere pericolosi.
 - Qualora un bambino inserisca la testa in uno di essi, potrebbe soffocare.



Ulteriori suggerimenti per un uso corretto

- In caso di interruzione di corrente, chiamare la compagnia elettrica locale e chiedere il tempo previsto per il ripristino dell'elettricità.
 - La maggior parte delle interruzioni elettriche ripristinate in una o due ore non hanno alcuna influenza sulla temperatura interna del frigorifero. Tuttavia, durante l'interruzione di corrente limitare al minimo l'apertura del frigorifero.
 - Se l'interruzione di corrente si protrae per oltre 24 ore, rimuovere tutti i surgelati dal freezer.
- Il frigorifero potrebbe funzionare in modo costante (i cibi surgelati possono sciogliersi o le temperature del reparto dei surgelati possono innalzarsi troppo) se posizionato a lungo in un luogo dove la temperatura dell'aria è costantemente inferiore alle temperature operative per le quali il frigorifero è stato progettato.
- La conservazione in frigorifero di alcuni alimenti particolari può comportarne un deterioramento a causa delle loro proprietà intrinseche.
- L'apparecchio è di tipo "frost free"; ciò significa che non è necessario sbrinarlo manualmente poiché tale operazione è automatica. Tale operazione verrà effettuata automaticamente.
- L'aumento di temperatura per lo sbrinamento è conforme ai requisiti ISO. Per prevenire un inopportuno aumento della temperatura dei cibi surgelati durante lo sbrinamento dell'apparecchio, conservare i cibi congelati in appositi involucri.
- Non congelare nuovamente cibi già scongelati.
- La temperatura di comparti o sezioni a due stelle, contrassegnati dal simbolo (☆☆), è lievemente superiore rispetto a quella di altri comparti freezer.

La posizione delle sezioni e dei comparti a due stelle può variare, pertanto fare riferimento alle istruzioni e/o alle condizioni di vendita.



Informazioni di sicurezza

Consigli per risparmiare energia

- Installare l'apparecchio in un luogo fresco, asciutto e dotato di adeguata ventilazione. Accertarsi che non sia esposto a luce solare diretta e non sia installato vicino a una fonte diretta di calore (un calorifero, ad esempio).
- Si raccomanda di non ostruire le ventole e le griglie di ventilazione per garantire l'efficienza energetica.
- Lasciare che il cibo caldo si raffreddi prima di riporlo nell'apparecchio.
- Per scongelare i surgelati, collocarli in frigorifero. Le basse temperature dei surgelati consentono inoltre di rinfrescare ulteriormente gli alimenti presenti in frigorifero.
- Nel riporre o estrarre i cibi, non tenere per molto tempo la porta aperta. Minore è il tempo in cui viene lasciata aperta la porta, minore sarà la quantità di brina accumulata all'interno del freezer.
- Si consiglia di installare il frigorifero mantenendo dello spazio sul retro e sui lati. Ciò consentirà di ridurre sia il consumo energetico sia il costo della bolletta elettrica.
- Per i migliori risultati in termini di efficienza energetica, tenere tutti gli accessori interni quali cestelli, cassette e ripiani nella posizione indicata dal costruttore.

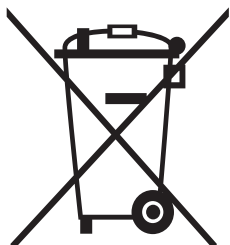
Questo apparecchio è progettato per un uso domestico o applicazioni simili quali

- angoli cottura per il personale di punti vendita, uffici e altri ambienti lavorativi;
- fattorie/aziende agricole e per l'uso dei clienti in hotel, motel e altri ambiti residenziali;
- ambienti di tipo bed and breakfast;
- catering e applicazioni simili non-retail.





Informazioni sul simbolo WEEE (RAEE)



Corretto smaltimento del prodotto (rifiuti elettrici ed elettronici)

(Applicabile nei Paesi con sistemi di raccolta differenziata)

Il simbolo riportato sul prodotto, sugli accessori o sulla documentazione (un contenitore della spazzatura con ruote barrato da una croce con una banda nera sotto) indica che il prodotto e i relativi accessori elettronici (quali caricabatterie, cuffia e cavo USB) non devono essere smaltiti come rifiuti urbani misti al termine del ciclo di vita ma devono essere raccolti separatamente in modo da permetterne il riutilizzo, il riciclaggio e altre forme di recupero in conformità alla normativa vigente. I rifiuti derivanti da apparecchiature elettriche ed elettroniche possono, infatti, contenere sostanze dannose e pericolose che, se non correttamente gestite, costituiscono un pericolo per l'ambiente e la salute umana.

L'utente ha, quindi, un ruolo attivo nel ciclo di recupero e riciclaggio dei rifiuti di apparecchiature elettriche ed elettroniche.

Al fine di evitare eventuali danni all'ambiente o alla salute causati da uno smaltimento non corretto, si invita pertanto l'utente a separare il prodotto e i suddetti accessori da altri tipi di rifiuti, conferendoli ai sistemi di ritiro e di raccolta autorizzati secondo le normative locali.

Gli utenti domestici possono consegnare gratuitamente l'apparecchiatura che desiderano smaltire al rivenditore, al momento dell'acquisto di una nuova apparecchiatura di tipo equivalente. Presso i rivenditori di prodotti elettronici con superficie di vendita di almeno 400 m² è inoltre possibile consegnare gratuitamente, senza obbligo di acquisto, i prodotti elettronici da smaltire con dimensioni inferiori a 25 cm.

Gli utenti professionali (imprese e professionisti) sono invitati a contattare il proprio fornitore e verificare i termini e le condizioni del contratto di acquisto. Questo prodotto e i relativi accessori elettronici non devono essere smaltiti unitamente ad altri rifiuti commerciali.

Per ulteriori informazioni sull'impegno ambientale di Samsung e sugli obblighi normativi specifici dei singoli prodotti es. REACH, WEEE, Batterie, visitare la pagina relativa alla sostenibilità nel sito www.samsung.com

(solo per prodotti venduti nei paesi dell'Unione Europea e nel Regno Unito).

NOTA

Verifica le informazioni su come smaltire correttamente questo imballaggio accedendo alla pagina dedicata tramite il seguente link

(<https://www.samsung.com/it/sustainability/environment/environment-data/>) attraverso il tuo browser.



Installazione

Seguire queste istruzioni con cura per garantire una corretta installazione del frigorifero ed in modo da evitare incidenti prima dell'uso.

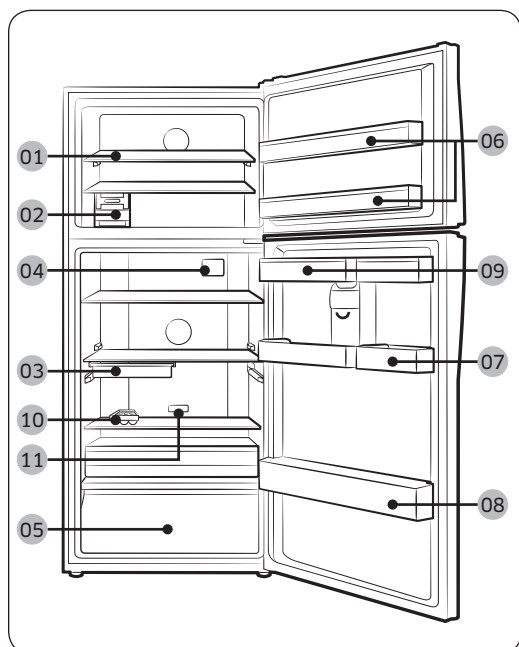
⚠ AVVERTENZA

- Utilizzare l'apparecchio solo per lo scopo per il quale è stato prodotto, come descritto in questo manuale.
- Una eventuale assistenza deve essere eseguita da un tecnico qualificato.
- Disporre i materiali da imballaggio secondo quanto prescritto dalle vigenti normative sullo smaltimento.

Il frigorifero in breve

📄 NOTA

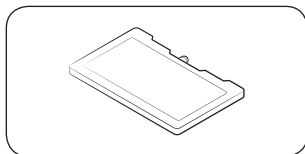
L'effettiva immagine ed i componenti del frigorifero in dotazione possono differire in base al modello ed al paese di acquisto.



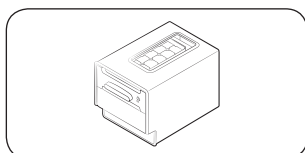
- 01 Ripiano-Fre
- 02 Ice Maker
- 03 Cassetto Deli *
- 04 A/Protezione antibatterica *
- 05 Comparto verdure *
- 06 Balconcino freezer
- 07 Balconcino multifunzione
- 08 Balconcino bottiglie
- 09 Serbatoio dell'acqua *
- 10 Balconcino portauova
- 11 Deodorante *

* solo modelli relativi

Accessori opzionali *



Panetto di ghiaccio: Aiuta a mantenere freddo il frigorifero.



Twist Ice Maker: Usato per la produzione di ghiaccio.

* Il frigorifero potrebbe non prevedere tutti gli accessori opzionali elencati sopra. La dotazione degli accessori opzionali dipende dal modello e dal paese di acquisto.

Per garantire maggiore spazio di conservazione nel comparto freezer

Rimuovere l'ice maker, che è separabile manualmente, senza l'uso di alcun attrezzo.

- La rimozione dell'ice maker non influenza le prestazioni termiche e meccaniche del freezer.

Per una maggiore efficienza energetica, assicurarsi che tutti i ripiani, i cassetti ed i cestelli siano nella loro posizione originale.

Installazione

Passaggi di installazione

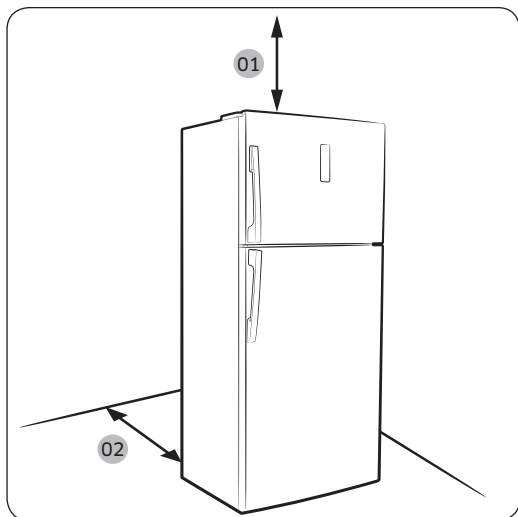
PASSAGGIO 1 Selezionare una posizione

Requisiti della posizione:

- La superficie di appoggio deve essere solida, piana e priva di moquette o tappeti in grado di ostruire la ventilazione
- Lontano dalla luce solare diretta.
- Spazio adeguato per l'apertura e la chiusura della porta
- Non deve essere esposta a fonti di calore
- Spazio per la manutenzione e l'assistenza
- Intervallo temperature: tra 10 °C e 43 °C

Spazio

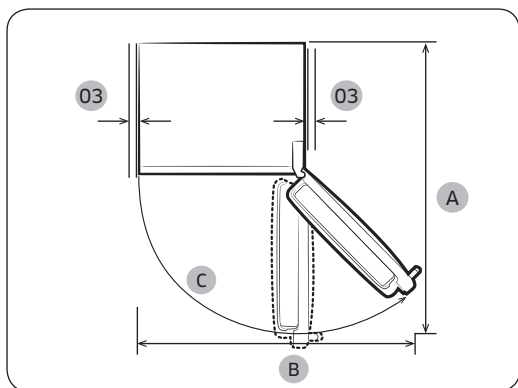
Per i requisiti di spazio per l'installazione vedere le figure e la tabella sotto.



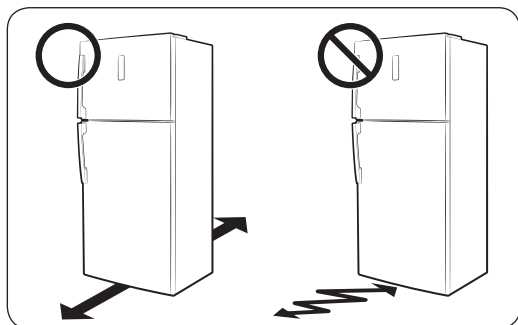
Modello	A	B	C
RT58	1507	1352	120°
RT62	1507	1352	120°

(unità: mm)

- 01** 100 mm
- 02** 50 mm
- 03** min 50 mm

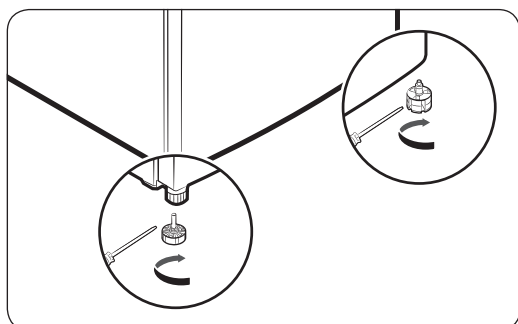


PASSAGGIO 2 Superficie di appoggio

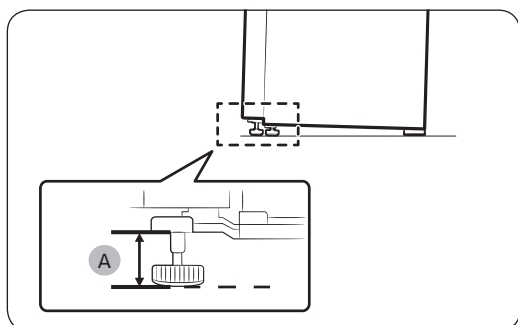


- La superficie sulla quale appoggiare il frigorifero deve essere in grado di sostenere il peso del frigorifero a pieno carico, oppure circa 100 kg.
- Per proteggere il pavimento, inserire un listello di cartone sotto ogni piedino.
- Una volta posizionato il frigorifero nella sua posizione definitiva, non spostarlo, a meno che non sia necessario, in modo da salvaguardare il pavimento. Se necessario, usare un foglio di carta spesso o del tessuto come un vecchio tappeto per facilitare lo spostamento.

PASSAGGIO 3 Regolazione dei piedini di appoggio



Livellare il frigorifero regolando manualmente i piedini. Ruotare il piedino di regolazione in senso orario per abbassare il frigorifero o antiorario per sollevarlo.



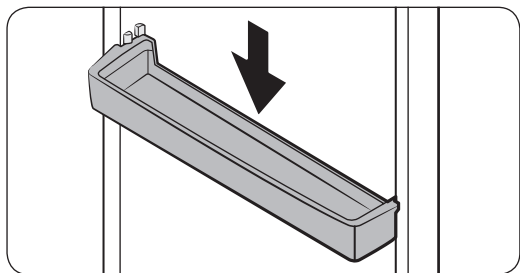
Alzare i piedini fino ad almeno 35 mm (A) dal pavimento come mostrato in figura.

Installazione

PASSAGGIO 4 Disimballare e montare gli accessori (solo modelli che ne sono dotati)

Gli accessori in dotazione con questo frigorifero sono stati imballati per il trasporto per motivi di sicurezza. Disimballare questi accessori e montarli al loro posto.

Balconcini della porta

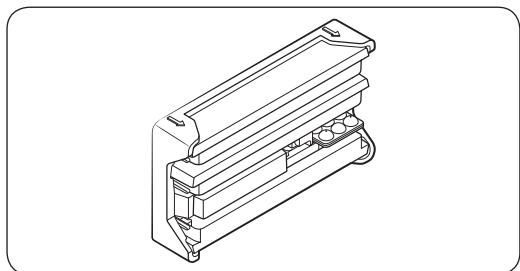


Il prodotto è dotato di balconcini delle porte. Inserire i balconcini nella porta del frigorifero e del freezer.

Se si desidera usare la vaschetta portauova, assicurarsi che sia inserita nel frigorifero o nel balconcino.

NOTA

Premere saldamente i balconcini durante il loro inserimento nelle porte.



PASSAGGIO 5 Impostazioni iniziali

Completando i seguenti passaggi, il frigorifero sarà pienamente operativo.

1. Inserire il cavo di alimentazione in una presa elettrica a muro per accenderlo.
2. Aprire la porta e controllare che la luce interna si sia accesa.
3. Impostare la temperatura sul valore più freddo e attendere un'ora. Il freezer si raffredderà moderatamente e il motore girerà regolarmente.
4. Attendere fino a quando il frigorifero abbia raggiunto la temperatura impostata. Il frigorifero è ora pronto per l'uso.

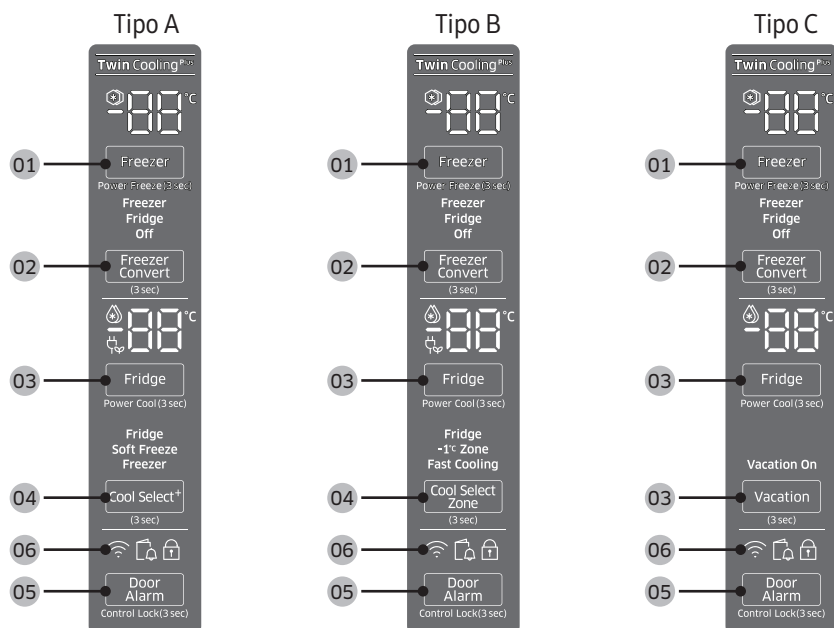
PASSAGGIO 6 Controllo finale

Al termine dell'installazione, accertarsi che:

- Il frigorifero sia collegato ad una presa elettrica e sia dotato di una opportuna messa a terra.
- Il frigorifero sia installato su una superficie piana e livellata con sufficiente spazio dalla parete o dal mobile.
- Il frigorifero sia livellato e stabilmente posizionato sul pavimento.
- La porta si apra e si chiuda liberamente e la luce interna si accenda automaticamente all'apertura della porta.

Funzionamento

Pannello principale



01 Freezer / Power Freeze
(Congelamento rapido)

02 Freezer Convert (Convers.
freezer)

03 Fridge (Frigido) / Power Cool
(Raffreddamento rapido) /
Vacation (Vacanze)

04 Cool Select+ (FlexZone) /
Cool Select Zone (Zona Cool
Select) *

05 Door Alarm (Allarme porta)
/ Control Lock (Blocco
controlli)

06 Connessione di rete *

* solo modelli relativi

01 Freezer / Congelamento rapido

Freezer	<p>Il tasto Freezer può essere utilizzato per impostare la temperatura del freezer. Intervallo temperature disponibile: tra -15 °C e -23 °C</p> <p>⚠ ATTENZIONE</p> <ul style="list-style-type: none">• Al fine di prevenire eventuali malfunzionamenti o il guastarsi dei cibi, non impostare la temperatura -15 °C durante l'estate (sopra i 35 °C).• Non conservare bottiglie di vetro contenenti liquidi nel freezer. Le bottiglie in vetro possono creparsi o rompersi al congelarsi del contenuto liquido.
Power Freeze (Congelamento rapido)	<p>La funzione Congelamento rapido accelera il processo di congelamento attivando la massima velocità di ventilazione. Il freezer continua a funzionare al massimo per diverse ore quindi torna alla temperatura precedente.</p> <ul style="list-style-type: none">• Per attivare la funzione Congelamento rapido, tenere premuto il tasto Freezer per 3 secondi. La corrispondente spia (❄) si illumina, ed il frigorifero accelera il processo di raffreddamento.• Per disattivarla, tenere premuto nuovamente il tasto Freezer per 3 secondi. Il freezer torna all'impostazione di temperatura precedente.• Per congelare grandi quantità di cibo, attivare la funzione Congelamento rapido per almeno 20 ore prima di inserire il cibo nel freezer.• Il freezer continua a funzionare al massimo per 50 ore quindi torna alla temperatura precedente. <p>📄 NOTA</p> <p>L'uso della funzione Congelamento rapido aumenta il consumo energetico. Accertarsi di disattivarla per tornare all'impostazione di temperatura precedente qualora non si desidera utilizzarla.</p>

Funzionamento

02 Convers. freezer

È possibile utilizzare l'intero frigorifero in modalità Fridge (Frigo) o disattivando il freezer.

Per cambiare la modalità predefinita freezer tenere premuto il tasto **Freezer Convert (Convers. freezer)** per 3 secondi per accedere alla modalità di selezione. Quindi premere **Freezer Convert (Convers. freezer)** per impostare la modalità desiderata.

La modalità cambia seguendo questa sequenza: Fridge (Frigo) → Off → Freezer → Off → Fridge (Frigo).

- Selezionando Fridge (Frigo), si accenderà la spia Fridge (Frigo). La funzione di Power Freeze (Congelamento rapido) verrà disattivata se attiva e Ice On (Ghiaccio on) verrà disattivata se attiva.
- Selezionando Off, si accenderà la spia Off. Il freezer verrà disattivato.
- Selezionando la modalità Freezer, le spie indicanti il Freezer si accenderanno in base alla selezione effettuata.

Le modifiche verranno memorizzate ed attivate dopo 10 secondi. Per annullare o modificare nuovamente la modalità, tenere premuto **Freezer Convert (Convers. freezer)** per 3 secondi. Quindi seguire le istruzioni riportate sopra.

NOTA

- Tenendo premuto il tasto **Freezer Convert (Convers. freezer)** per 3 secondi, il frigorifero attiverà la modalità di selezione nella quale sarà possibile premere **Freezer Convert (Convers. freezer)** per impostare una diversa modalità.
- Quando le funzioni di refrigerazione e di congelamento sono impostate a 'Off', la temperatura del frigorifero o del freezer rimane al di sotto dei 15 °C in modo da evitare lo scongelamento e l'emissione di odori, con un basso consumo energetico.
- Il frigorifero ed il freezer non possono essere spenti separatamente.
- Non conservare cibo o bevande quando le funzioni di refrigerazione e congelamento sono impostate in modalità 'Off'. 15 °C non è una temperatura sufficientemente bassa per impedire che i cibi si guastino.



AVVERTENZA

- Non conservare bottiglie di vetro contenente liquidi nel freezer. Annullando la funzione Freezer Convert (Convers. freezer), le bottiglie di vetro potrebbero rompersi o creparsi nel freezer.
- Accertarsi di estrarre i cibi congelati dal freezer prima di attivare la funzione Freezer Convert (Convers. freezer). I cibi congelati si scongelano e si guastano con l'aumentare della temperatura (la modalità varia da Freezer a Fridge (Frigo)).
- Accertarsi di estrarre i cibi freddi dal freezer prima di disattivare la funzione Freezer Convert (Convers. freezer). I cibi freddi possono congelare con la diminuzione della temperatura (la modalità varia da Fridge (Frigo) a Freezer).

NOTA

Per usare la funzione Freezer Convert (Convers. freezer), è fortemente consigliato di usare contenitori in plastica per conservare il cibo, in particolare per le verdure.

03 Frigo / Raffreddamento rapido / Vacanze

Frige (Frigo)	<p>Per regolare la temperatura del frigorifero premere il tasto Frige (Frigo) fino a raggiungere la temperatura corrispondente. La temperatura è selezionabile in valori tra 1 °C e 7 °C.</p> <p> ATTENZIONE</p> <ul style="list-style-type: none">• Durante l'inverno non impostare la temperatura a 1 °C poiché potrebbe influenzare la capacità di raffreddamento.• Durante l'estate non impostare la temperatura a 5-7 °C poiché potrebbe influenzare la capacità di raffreddamento.
Power Cool (Raffreddamento rapido)	<p>Raffreddamento rapido accelera il processo di raffreddamento attivando la massima velocità di ventilazione. Il frigorifero continua a funzionare al massimo per diverse ore quindi torna alla temperatura precedente.</p> <ul style="list-style-type: none">• Per attivare la funzione Raffreddamento rapido, tenere premuto il tasto Frige (Frigo) per 3 secondi. La corrispondente spia (🔆) si illumina, ed il frigorifero accelera il processo di raffreddamento.• Per attivare la funzione Raffreddamento rapido, tenere nuovamente premuto il tasto Frige (Frigo) per 3 secondi. Il frigorifero torna all'impostazione di temperatura precedente. <p> NOTA</p> <p>L'uso della funzione Raffreddamento rapido aumenta il consumo energetico. Accertarsi di disattivarla per tornare all'impostazione di temperatura precedente qualora non si desideri utilizzarla.</p>

Funzionamento

Vacation (Vacanze)

Se ci si assenta per un lungo periodo di tempo per una vacanza o un viaggio di lavoro o non si intende utilizzare il frigorifero per diverso tempo, usare la modalità Vacanze.

(solo modelli Tipo A e Tipo B)

- Per attivare la modalità Vacanze, premere **Fridge (Frigo)** con l'indicatore visualizzante 1 °C selezionato. La spia della funzione (🔌) si accende mentre l'indicazione della temperatura si spegnerà. Anche il display dei modelli Tipo A (Cool Select+ (FlexZone)) e Tipo B (Cool Select Zone (Zona Coll Select)) si spegnerà. La temperatura del frigorifero verrà impostata sotto i 15 °C, ma il freezer rimarrà attivo così come precedentemente impostato.
- Per disattivare la modalità Vacanze, premere nuovamente il tasto **Fridge (Frigo)**. La temperatura del frigorifero verrà ripristinata a 7 °C. Da notare che i modelli Tipo A (Cool Select+) e Tipo B (Cool Select Zone (Zona Cool Select)) ripristinano le impostazioni di temperatura del frigorifero.

(solo modelli Tipo C)

- Per attivare la modalità Vacanze, tenere premuto il tasto **Vacation (Vacanze)** per 3 secondi. La spia della funzione Vacation On (Vacanze On) si accende mentre l'indicazione della temperatura del frigorifero si spegnerà. La temperatura del frigorifero verrà impostata sotto i 15 °C, ma il freezer rimarrà attivo così come precedentemente impostato.
- Per disattivare la modalità Vacanze, tenere premuto nuovamente il tasto **Vacation (Vacanze)** per 3 secondi. Il frigorifero torna all'impostazione di temperatura precedente.

📖 NOTA

Si consiglia fortemente di vuotare i compartimenti del frigorifero ed assicurarsi che la porta sia ben chiusa.

Per i modelli Cool Select+ (FlexZone)/Cool Select Zone (Zona Cool Select), la modalità Vacanze imposta la temperatura al di sotto dei 15 °C come quella del frigorifero. Tuttavia, la relativa spia si spegne, in base al modello.

04 FlexZone / Zona Cool Select (solo modelli relativi)

<p>Cool Select+ (FlexZone) (TIPO A)</p>	<p>Tenere premuto il tasto Cool Select+ (FlexZone) per 3 secondi. Quindi premere nuovamente per selezionare la modalità desiderata. Si accende la relativa spia.</p> <ul style="list-style-type: none"> • Fridge (Frigo) Se selezionata, la Cool Select Zone (Zona Cool Select) verrà impostata a 3 °C. • Soft Freeze (Surgelazione leggera) Se selezionata, la Cool Select Zone (Zona Cool Select) verrà impostata a -5 °C. Tale impostazione è utile per conservare carne e/o pesce per un lungo periodo di tempo. • Freezer Se selezionata, la Cool Select Zone (Zona Cool Select) verrà impostata a -12 °C. Tale impostazione è utile per conservare verdure congelate per un lungo periodo di tempo.
<p>Cool Select Zone (Zona Cool Select) (TIPO B)</p>	<p>Tenere premuto il tasto Cool Select Zone (Zona Cool Select) per 3 secondi. Quindi premere nuovamente per selezionare la modalità desiderata. Si accende la relativa spia.</p> <ul style="list-style-type: none"> • Fridge (Frigo) Se selezionata, la Cool Select Zone (Zona Cool Select) verrà impostata a 3 °C. • -1 °C Zone (Zona -1 °C) Se selezionata, la Cool Select Zone (Zona Cool Select) verrà impostata a -1 °C. Tale impostazione è utile per conservare cibi deperibili. • Fast Cooling (Raffreddamento rapido) Selezionare questa funzione se si desidera raffreddare rapidamente i cibi. La Cool Select Zone (Zona Cool Select) raffredderà i cibi alla massima velocità per 60 minuti.

05 Allarme porta / Blocco controlli

<p>Door Alarm (Allarme porta)</p>	<p>È possibile impostare l'allarme per un promemoria. Se la porta viene lasciata aperta per oltre 2 minuti, l'allarme suonerà e la spia Alarm (Allarme) lampeggerà. È possibile attivare e disattivare la funzione premendo il tasto Door Alarm (Allarme porta). L'allarme è attivo come impostazione predefinita dalla fabbrica.</p>
<p>Control Lock (Blocco controlli)</p>	<p>Al fine di evitare manipolazioni accidentali, tenere premuto Door Alarm (Allarme porta) per 3 secondi per attivare la funzione Blocco controlli. Tutti i controlli verranno disabilitati con la spia (🔒) accesa. Per disattivare la funzione, tenere premuto nuovamente il tasto per 3 secondi. I controlli torneranno disponibili.</p>

Funzionamento

06 Connessione di rete (solo modelli relativi)

Questa icona indica che il frigorifero è connesso alla rete. Se l'icona Wi-Fi (📶) lampeggia, consigliamo di collegare il frigorifero con la app SmartThings. È possibile controllare e monitorare il frigorifero mediante la app SmartThings. Per ulteriori informazioni, consultare la sezione SmartThings.

Attivazione e disattivazione di Wi-Fi

Per attivare o disattivare il Wi-Fi, tenere premere il tasto **Door Alarm (Allarme porta)** per 10 secondi. L'icona Wi-Fi (📶) mostra lo stato del Wi-Fi come mostrato sotto.

- Wi-Fi Off: L'icona Wi-Fi (📶) lampeggia per 5 secondi e quindi si disattiva.
- Wi-Fi On: L'icona Wi-Fi (📶) lampeggia per 5 secondi e quindi si attiva per 5 secondi.

NOTA

- Per collegare il frigorifero alla app SmartThings è necessario attivare il Wi-Fi.
- Per ulteriori informazioni, consultare la sezione **SmartThings**.

SmartThings

Installazione

Visitare il Google Play Store, il Galaxy Apps o il Apple App Store e cercare “SmartThings”. Scaricare e installare la app SmartThings fornita da Samsung Electronics sul proprio dispositivo smart.

NOTA

- La versione del software di supporto SmartThings è soggetta a variazioni secondo le politiche di assistenza del SO fornito dal produttore. Inoltre, come avviene per la app SmartThings o le funzioni che la app supporta, le nuove politiche di aggiornamento della applicazione sulla versione del SO esistente possono essere sospese per motivi di usabilità o sicurezza.
- La app SmartThings è soggetta a variazioni senza preavviso al fine di migliorarne l'usabilità o le prestazioni. Poiché la versione del SO del telefono mobile viene aggiornata ogni anno, anche SmartThings viene costantemente aggiornata secondo le più recenti versioni del SO. Per eventuali domande riguardanti quanto espresso sopra, inviare una email a st.service@samsung.com.
- Tra i sistemi di crittografia consigliati vi sono WPA/TKIP e WPA2/AES. Eventuali protocolli di autenticazione Wi-Fi nuovi o non standard non sono supportati.
- Le reti wireless possono essere influenzate dagli ambienti di comunicazione wireless circostanti.
- Se il vostro provider di servizi internet registra l'indirizzo MAC dei PC o dei modem ai fini di una identificazione, il vostro frigorifero Smart Samsung potrebbe non riuscire a collegarsi ad Internet. In tale caso, contattare il proprio provider di servizi internet per richiedere assistenza.
- Le impostazioni del firewall del vostro sistema di rete possono impedire al vostro frigorifero Samsung Smart di accedere ad Internet. Contattare il proprio provider di servizi internet per richiedere assistenza. Qualora tale sintomo persista, contattare un Centro di assistenza autorizzato o un rivenditore Samsung.
- Per configurare le impostazioni del router wireless (AP), vedere il manuale dell'utente del router.
- I frigoriferi Smart Samsung supportano sia le reti Wi-Fi 2,4 GHz con IEEE 802.11 b/g/n sia i protocolli Soft-AP. (È consigliata la connessione IEEE 802.11 n).
- I router Wi-Fi non approvati possono non riuscire a collegarsi ai frigoriferi Samsung Smart dotati di questa funzione.

Funzionamento

Account Samsung

Per utilizzare la app è necessario registrare un proprio account Samsung. Qualora non si disponga di un account Samsung, seguire le istruzioni visualizzate sullo schermo per crearne uno gratuito.

Introduzione

Accendere il dispositivo da collegare, eseguire la app SmartThings sul proprio telefono e seguire le istruzioni riportate sotto.

Alla comparsa di un messaggio che indica l'individuazione di un nuovo dispositivo, premere **ADD NOW (AGGIUNGI ORA)**.

Qualora non compaia alcun messaggio, premere il tasto **+** e selezionare il dispositivo da connettere tra quelli riportati nell'elenco dei dispositivi disponibili.

Se il proprio dispositivo non compare nell'elenco **Supported Devices (Dispositivi supportati)**, aggiungere il dispositivo manualmente selezionando il tipo di dispositivo (Frigorifero) ed in seguito il modello specifico.

Seguire le istruzioni visualizzate nella app per impostare il dispositivo. Una volta terminata l'impostazione, il frigorifero comparirà come "scheda" nella schermata **Devices (Dispositivi)**.

Controllo integrato

È possibile monitorare e controllare il proprio frigorifero in casa così come a distanza.

- Selezionare l'icona del frigorifero nella Dashboard SmartThings o l'icona Dispositivi in basso nella Dashboard, quindi selezionare la "scheda" del frigorifero per accedere alla pagina del proprio Frigorifero.
- Verificare lo stato operativo o le notifiche dal proprio frigorifero e cambiare le opzioni o impostazioni se necessario.

NOTA

Alcune opzioni o impostazioni del frigorifero potrebbero non essere disponibili per il controllo da remoto.

Categoria	Elemento	Descrizione
Monitora e Controlla	Temperatura frigorifero	Visualizza le impostazioni correnti della temperatura del frigorifero.
	Sensore temperatura freezer	Visualizza le impostazioni correnti della temperatura del freezer.
	Raffreddamento rapido	È possibile attivare e disattivare la modalità Raffreddamento rapido, e controllare le impostazioni correnti.
	FlexZone * / Zona Cool Select *	È possibile regolare a piacere la temperatura dello scomparto FlexZone.
Allarmi	Temperatura insolitamente elevata	Questo allarme è attivato quando il frigorifero ha una temperatura insolitamente elevata.
	Porta aperta	Questo allarme viene innescato quando la porta del frigo o del freezer rimangono aperte per più di 2 minuti.

* solo modelli relativi

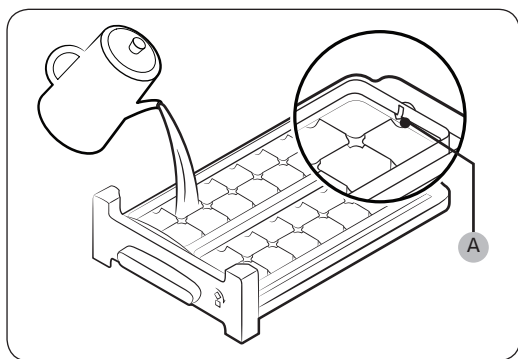
Funzionamento

Funzioni speciali

Le immagini effettive e le funzioni speciali del frigorifero possono variare in base al modello ed al paese di acquisto.

Produzione ghiaccio (solo modelli relativi)

Ice maker a rotazione



1. Aprire lo sportello del freezer e aprire il contenitore del ghiaccio.
2. Riempire il contenitore con acqua fino a raggiungere il **livello massimo (A)** indicato sul retro del contenitore.
3. Reinscrivere il contenitore nel suo alloggiamento.

NOTA

Il tempo necessario per la produzione di ghiaccio dipende dalle impostazioni della temperatura interna.

NOTA

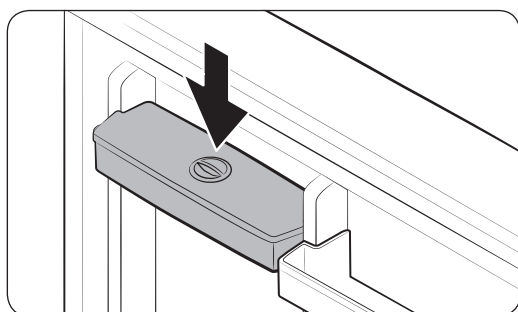
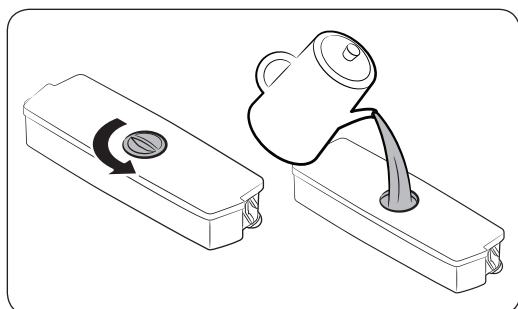
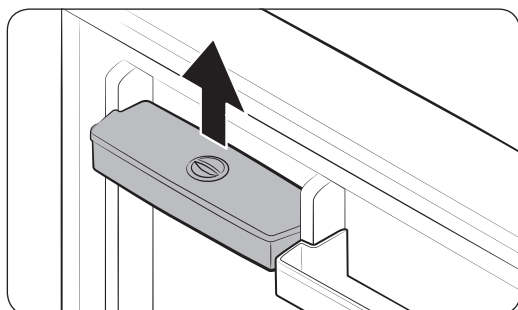
- Accertarsi che la vaschetta di raccolta del ghiaccio sia posizionata sotto il contenitore.
- Per erogare dei cubetti di ghiaccio, ruotare la leva verso destra per vuotare metà dei cubetti nel contenitore di raccolta. Quindi ruotare la leva verso sinistra per vuotare l'altra metà.
- Estrarre il contenitore ruotandolo leggermente e tirandolo verso di sé.

Dispenser dell'acqua

Con il dispenser dell'acqua, è possibile erogare acqua fredda senza dover aprire la porta del frigorifero. Il serbatoio dell'acqua deve essere riempito con acqua potabile prima dell'uso.

Per riempire il serbatoio dell'acqua con acqua potabile

Aprire la porta ed individuare il serbatoio dell'acqua situato nell'area dei balconcini.



1. Afferrare il manico su entrambi i lati e sollevarlo per rimuoverlo.

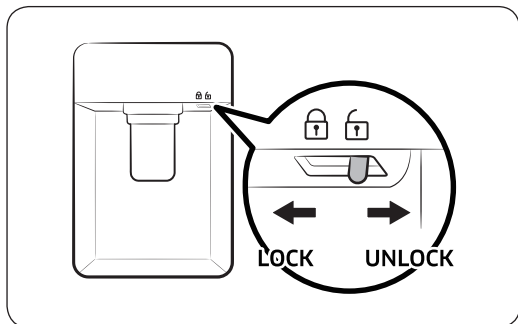
2. Riempire il serbatoio dell'acqua con 2,8 litri di acqua potabile. Per riempire l'acqua è possibile rimuovere il tappo superiore o l'intero coperchio.

NOTA

Al primo utilizzo, pulire l'interno del serbatoio dell'acqua.

3. Rimontare il serbatoio dell'acqua e chiudere la porta. Accertarsi che la bocchetta di erogazione del serbatoio dell'acqua sia rivolta verso avanti.

Funzionamento



4. Porre un bicchiere d'acqua sotto la bocchetta del dispenser e premere delicatamente la leva del dispenser per erogare dell'acqua. Verificare che il rubinetto di erogazione dell'acqua sia aperto.

ATTENZIONE

- Il dispenser dell'acqua è stato progettato per erogare acqua potabile. Riempire il serbatoio con sola acqua potabile. Non riempirlo con altri liquidi.
- Non riempire il serbatoio eccessivamente, in quanto l'acqua potrebbe traboccare.
- Non cercare di riempire il serbatoio dell'acqua senza estrarlo dal suo alloggiamento nella porta.
- Verificare che il serbatoio dell'acqua sia montato correttamente.
- Non usare il frigorifero senza aver inserito il serbatoio dell'acqua. Ciò potrebbe ridurre le prestazioni e l'efficienza del frigorifero.
- Per prevenire la fuoriuscita dell'acqua, accertarsi che il bicchiere sia allineato con la leva di erogazione del dispenser.

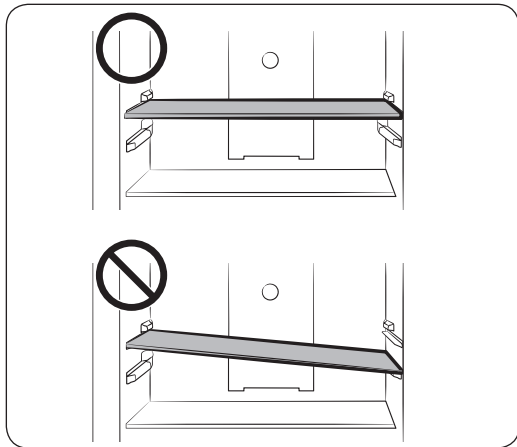
NOTA

Per disporre di maggiore spazio di conservazione, è possibile usare il serbatoio dell'acqua per conservare cibi. In questo caso, rimuovere il coperchio del serbatoio.

Manutenzione

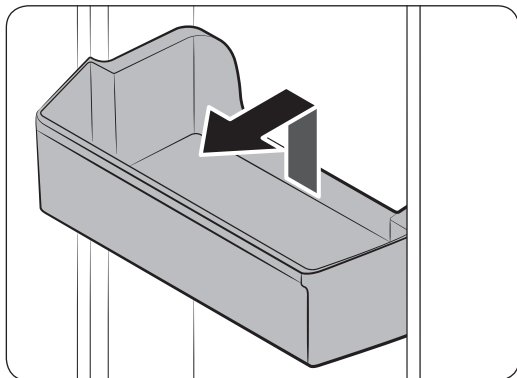
Pulizia e manutenzione

Ripiani del freezer e del frigorifero



- Per estrarre un ripiano, prima aprire la porta completamente. Tirare il ripiano verso avanti, sollevarlo quindi estrarlo.
- Non tentare di inserire con forza i ripiani.

Balconcini della porta



Sollevarlo leggermente ed estrarre il balconcino.

⚠ ATTENZIONE

Per evitare incidenti, vuotare i balconcini prima di estrarli.

Manutenzione

Pulizia

Usare regolarmente un panno morbido per rimuovere eventuale polvere o sporcizia dai terminali della spina elettrica e dai contatti.

1. Scollegare il cavo di alimentazione del frigorifero.
2. Usare un panno inumidito e liscio o un tovagliolo di carta per pulire l'interno e l'esterno del frigorifero.
3. Al termine, usare un panno o della carta per asciugarlo con cura.
4. Inserire il cavo di alimentazione in una presa elettrica a muro per accendere il frigorifero.

NOTA

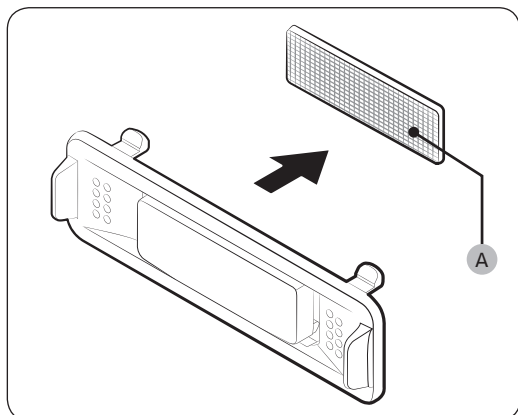
Qualora si siano rimosse parti amovibili quali i ripiani per pulirli, consultare l'immagine riportata nella sezione Contenuto per assicurarsi di aver rimontato tutto correttamente.

AVVERTENZA

- Per pulire non utilizzare benzene, diluenti, o detersivi per casa/auto quali Clorox™. L'uso di questi prodotti potrebbe danneggiare la superficie dell'apparecchio e causare un incendio.
- Non spruzzare acqua sul frigorifero. In caso contrario, esiste il pericolo di scariche elettriche.
- Non inserire mai le dita o altri oggetti nel foro del dispenser.

Sostituzione

Filtro deodorante (solo modelli applicabili)



Tenendo fermo la parte superiore ed inferiore della struttura del filtro, sbloccare la cassa del filtro per rivelare il **filtro deodorante (A)**. Sostituire il filtro, quindi rimontare la struttura.

Lampadine e filtro anti batterico

Né le lampadine né il filtro anti batterico possono essere sostituiti dall'utente. Non tentare di effettuare autonomamente la loro sostituzione. Per sostituirli, rivolgersi ad un Centro di assistenza autorizzato Samsung.

Lampadina (sorgente luminosa)

Questo prodotto contiene una sorgente luminosa di classe di efficienza energetica <G>.

La lampadina ed i comandi non possono essere sostituibile dall'utente in autonomia. Per effettuare la sostituzione delle lampadine o dei comandi, rivolgersi al Centro assistenza autorizzato Samsung di zona.

Per maggiori informazioni sulla sostituzione di lampadine o comandi del vostro prodotto, visitare il sito web Samsung (<http://www.samsung.com>), accedere a Support > Support home, e digitare il nome del modello.

Per maggiori informazioni sullo smontaggio delle lampadine o dei comandi seguire le istruzioni come descritto sopra.

Risoluzione dei problemi

Se si verifica un problema con il frigorifero, controllare per prima cosa la tabella sottostante e provare i suggerimenti indicati.

Generale

Sintomo	Azione
Non funziona o non raffredda.	<ul style="list-style-type: none">• Assicurarsi che il cavo di alimentazione sia collegato correttamente.• Verificare la corretta selezione della temperatura.• Assicurarsi che il frigorifero sia posizionato lontano dalla luce solare diretta o eventuali fonti di calore. La mancata osservanza di queste indicazioni può influenzare le prestazioni di raffreddamento.• Assicurarsi che il frigorifero abbia sufficiente spazio sul retro e sui lati. La mancata osservanza di queste indicazioni può influenzare le prestazioni di raffreddamento.• Una quantità eccessiva di cibo può ostruire la ventilazione all'interno del frigorifero. Al fine di mantenere un corretto funzionamento del frigorifero, non inserire al suo interno una quantità eccessiva di cibi.
Il cibo nel frigorifero si congela.	<ul style="list-style-type: none">• Verificare che la regolazione della temperatura non sia impostata su valore minimo. In tale caso, regolare la temperatura ad un valore superiore o ottimale.• Ciò accade quando la temperatura ambiente è troppo bassa. Impostare la temperatura ad un valore superiore.• Verificare che il cibo contenente una maggiore percentuale di acqua non sia nella zona più fredda del frigorifero o vicino alla ventola di raffreddamento. In tale caso, spostare il cibo sugli altri ripiani del frigorifero.
Il frigorifero emette rumori.	<ul style="list-style-type: none">• Verificare che il frigorifero sia installato su una superficie piana e stabile.• Assicurarsi che il frigorifero abbia sufficiente spazio sul retro e sui lati.• Tenere pulito il frigorifero da impurità o oggetti estranei sia dentro che sotto.• Il frigorifero può emettere talvolta un ticchettio dall'interno provocato da parti removibili che si contraggono e si espandono. Ciò non indica un guasto al sistema.

Sintomo	Azione
Gli angoli anteriori e laterali diventano caldi e formano condensa.	<ul style="list-style-type: none"> Al fine di prevenire la formazione di condensa, il frigorifero è dotato di tubazioni isolate sugli angoli anteriori. Qualora la temperatura ambientale aumenti, questo apparecchio potrebbe non funzionare in modo ottimale. Ciò non indica un guasto al sistema. È possibile che si formi della condensa sulla superficie esterna del frigorifero quando l'aria calda entra a contatto con la superficie fredda del frigorifero.
La macchina del ghiaccio non produce ghiaccio.	<ul style="list-style-type: none"> Attendere 12 ore prima che la macchina del ghiaccio possa produrre ghiaccio. Assicurarsi che l'ice maker non si sia bloccato durante la produzione di ghiaccio. Assicurarsi che il freezer sia impostato al di sotto di 0 °C (o -5 °C in un ambiente caldo). Verificare che il serbatoio dell'acqua sia pieno.
Il dispenser dell'acqua non funziona.	<ul style="list-style-type: none"> Verificare che il serbatoio dell'acqua non sia congelato. In tale caso, selezionare una temperatura superiore del frigorifero. Verificare che il serbatoio dell'acqua sia pieno. Verificare che il serbatoio dell'acqua sia montato correttamente. Verificare che il filtro dell'acqua sia montato correttamente.
Produce un gorgoglio.	<ul style="list-style-type: none"> Il frigorifero emette questo rumore durante il processo di raffreddamento, e tale rumore è normale.
Dall'interno del frigorifero proviene un cattivo odore.	<ul style="list-style-type: none"> Controllare l'eventuale presenza di cibo avariato. Si consiglia la pulizia regolare del frigorifero al fine di rimuovere eventuali residui di cibo o cibi avariati o sospetti. Avvolgere con pellicola i cibi con un forte odore.
Sulla pareti interne si forma della brina.	<ul style="list-style-type: none"> Assicurarsi che non vi sia del cibo che ostruisce le aperture di ventilazione del frigorifero. È anche importante sistemare il cibo in modo che sia equamente distribuito in modo da garantire una ventilazione uniforme. Verificare che lo sportello sia completamente chiuso.
Sulle pareti interne o intorno alle verdure si forma della brina.	<ul style="list-style-type: none"> Ciò accade quando un cibo contiene una elevata percentuale di acqua ed è conservato senza alcuna protezione, o la porta è rimasta aperta per molto tempo. Coprire i cibi o conservarli in contenitori chiusi.

Risoluzione dei problemi

SmartThings

Sintomo	Azione
Impossibile trovare "SmartThings" nell'app market.	<ul style="list-style-type: none">La versione del software di supporto SmartThings è soggetta a variazioni secondo le politiche di assistenza del SO fornito dal produttore. Inoltre, come avviene per la app SmartThings o le funzioni che la app supporta, le nuove politiche di aggiornamento della applicazione sulla versione del SO esistente possono essere sospese per motivi di usabilità o sicurezza.
La app SmartThings non si avvia.	<ul style="list-style-type: none">La app SmartThings è disponibile solo per i modelli che la supportano.La precedente app Samsung Smart Refrigerator non è in grado di collegarsi con i modelli Samsung Smart Home.
La app SmartThings è installata ma non si collega al frigorifero.	<ul style="list-style-type: none">Per utilizzare la app è necessario accedere al proprio account Samsung.Assicurarsi che il router funzioni regolarmente.Se l'icona Wi-Fi sul display del frigorifero sia spenta, ciò indica che non sia stata ancora stabilita alcuna connessione di rete. In questo caso, usare la app SmartThings per collegare e registrare il proprio frigorifero all'access point (AP) della propria abitazione.
Impossibile collegarsi alla app.	<ul style="list-style-type: none">Per utilizzare la app è necessario accedere al proprio account Samsung.Qualora non si disponga di un account Samsung, seguire le istruzioni visualizzate sullo schermo per crearne uno.
Quando provo a registrare il mio frigorifero compare un messaggio di errore.	<ul style="list-style-type: none">Easy Connection (Connessione rapida) potrebbe non riuscire a collegarsi a causa della distanza dal router o alle interferenze elettriche derivanti dall'ambiente circostante. Attendere qualche minuto e riprovare.
La app SmartThings si collega con successo al frigorifero ma non viene eseguita.	<ul style="list-style-type: none">Uscire e riavviare la app SmartThings o scollegare e ricollegare il router.Spegnere il frigorifero, quindi riaccenderlo Dopo 1 minuto.
L'icona Wi-Fi lampeggia (📶)	<ul style="list-style-type: none">Collegare il frigorifero con la app SmartThings prima dell'uso. Una volta collegato con successo, la spia terminerà di lampeggiare.<ul style="list-style-type: none">Qualora non si riesca ad effettuare la connessione o non si desidera utilizzare la app, tenere premuto il tasto Fridge (Frigo) per 10 secondi. La spia smette di lampeggiare.

Appendice

Istruzioni di sicurezza

- Per i migliori risultati in termini di efficienza energetica, tenere tutti gli accessori interni quali cestelli, cassette, ripiani e vaschette per il ghiaccio nella posizione indicata dal costruttore.
- Questo frigorifero non è stato progettato per essere montato ad incasso.

Istruzioni di installazione

Per gli apparecchi di refrigerazione con classi climatiche

In base alla sua classe climatica, questo apparecchio di refrigerazione è progettato per essere utilizzato a temperature ambiente come indicato nella tabella che segue.

La classe climatica può essere individuata sull'etichetta dei valori nominali. Il prodotto potrebbe non operare correttamente a temperature al di fuori dell'intervallo di valori indicato.

La classe climatica può essere individuata sull'etichetta dei valori nominali all'interno del prodotto.

Temperatura di funzionamento effettivo

Il frigorifero è stato progettato per funzionare normalmente all'interno dell'intervallo di temperature indicato per la sua classe energetica.

Classe	Simbolo	Intervallo temperatura ambiente (°C)	
		IEC 62552 (ISO 15502)	ISO 8561
Temperata estesa	SN	da +10 a +32	da +10 a +32
Temperata	N	da +16 a +32	da +16 a +32
Subtropicale	ST	da +16 a +38	da +18 a +38
Tropicale	T	da +16 a +43	da +18 a +43

NOTA

Le prestazioni di raffreddamento ed il consumo energetico del frigorifero potrebbero essere influenzati dalla temperatura ambientale, la frequenza di apertura della porta e la posizione del frigorifero. Regolare la temperatura in base alle proprie necessità.

Appendice

Istruzioni sulla temperatura

Temperatura consigliata

La temperatura ottimale consigliata per la conservazione dei cibi:

- Frigo: 3 °C
- Freezer: -19 °C
- Frigo in Convers. freezer: 3 °C
- Modelli con manopola: La temperatura ottimale consigliata per la conservazione dei cibi
- Frigo: 3 step (3 °C) / Freezer: 3 step (-19 °C)

NOTA

L'impostazione ottimale della temperatura di ogni scomparto dipende dalla temperatura ambientale. La temperatura ottimale sopra si basa sulla temperatura ambientale di 25 °C.

Raffreddamento rapido

Raffreddamento rapido accelera il processo di raffreddamento con la massima velocità di ventilazione. Il frigorifero continua a funzionare al massimo per due ore e mezza per poi tornare alla temperatura precedente.

Congelamento rapido

La funzione Congelamento rapido accelera il processo di congelamento con la massima velocità di ventilazione. Il freezer continua a funzionare al massimo per 50 ore quindi torna alla temperatura precedente. Per congelare grandi quantità di cibo, attivare la funzione Congelamento rapido per almeno 20 ore prima di inserire il cibo nel freezer.

NOTA

L'uso di questa funzione comporta un aumento del consumo energetico del frigorifero. Disattivarla qualora non sia necessaria, riportando il freezer alla temperatura originaria.

Come avere una conservazione ottimale (solo alcuni modelli)

Coprire i cibi al fine di conservarne l'umidità e impedire che assumano altri odori. Una grande porzione di cibo come una minestra o uno stufato deve essere suddiviso in porzioni più piccole e conservato in recipienti poco profondi prima di essere inserito nel freezer. Un taglio di carne di grosse dimensioni o un pollo intero deve essere suddiviso in più parti prima di essere conservato in frigorifero.

Disposizione dei cibi

Ripiani	I ripiani devono essere regolati in base alle dimensioni delle confezioni dei cibi da conservare.
Comparti dedicati (solo modelli relativi)	I cassetti dotati di chiusura sono ideali per conservare frutta e verdura. Le verdure richiedono una maggiore presenza di umidità mentre la frutta ne richiede di meno. Tali cassetti sono dotati di dispositivi di controllo per il mantenimento dei livelli di umidità (* in base al modello ed alle opzioni). Un cassetto per la carne con la temperatura regolabile ottimizza il tempo di conservazione di carni e formaggi.
Conservati nella porta	Non conservare cibi deperibili nella porta. Le uova devono essere conservate in un cartone su un ripiano. La temperatura dei balconcini nella porta può variare più della temperatura all'interno. Mantenere la porta chiusa il più possibile.
Comparto freezer	Nel comparto freezer è possibile conservare i cibi congelati, formare cubetti di ghiaccio e congelare cibi freschi.

NOTA

Congelare solo cibi freschi e non guasti. Conservare il cibo da congelare lontano dai cibi già congelati. Al fine di impedire che i cibi perdano il sapore o si disidratino, conservarli in contenitore a tenuta d'aria.

Diagramma Frigorifero & Freezer

La durata della freschezza dei cibi dipende dalla temperatura e dall'umidità. Dal momento che le date di scadenza dei prodotti non sono un riferimento sicuro per una consumazione sicura dei cibi, consultare questo diagramma e seguire questi suggerimenti.

Prodotti del latte

Prodotto	Frigorifero	Freezer
Latte	1 settimana	1 mese
Burro	2 settimane	12 Mesi
Gelato	-	2-3 settimane
Formaggio fresco	1 mese	4-6 Mesi
Formaggio cremoso	2 settimane	Non consigliato
Yogurt	1 mese	-

Appendice

Carne

Prodotto	Frigorifero	Freezer
Arrosti freschi, bistecche, spiedini	3-4 Giorni	2-3 Mesi
Carne fresca, stufati	1-2 Giorni	3-4 Mesi
Pancetta	7 giorni	1 mese
Salsiccia, maiale crudo, manzo, tacchino	1-2 Giorni	1-2 Mesi

Pollame / Uova

Prodotto	Frigorifero	Freezer
Pollame fresco	2 giorni	6-8 Mesi
Insalata di pollo	1 giorno	-
Uova, fresche in guscio	2-4 settimane	Non consigliato

Pesce / Frutti di mare

Prodotto	Frigorifero	Freezer
Pesce fresco	1-2 Giorni	3-6 Mesi
Pesce cotto	3-4 Giorni	1 mese
Insalata di pesce	1 giorno	Non consigliato
Pesce essiccato o in salamoia	3-4 settimane	-

Frutta

Prodotto	Frigorifero	Freezer
Mele	1 mese	-
Pesche	2-3 settimane	-
Ananas	1 settimana	-
Altra frutta fresca	3-5 Giorni	9-12 Mesi

Verdure

Prodotto	Frigorifero	Freezer
Asparagi	2-3 Giorni	-
Broccoli, cavoletti di Bruxelles, piselli, funghi	3-5 Giorni	-
Cavolo, cavolfiore, cetrioli, lattuga	1 settimana	-
Carote, barbabietole, ravanelli	2 settimane	-

Informazioni sul modello e l'ordinazione di parti di ricambio

Informazioni sul modello

Per accedere alla registrazione EPREL del modello:

1. Accedere a <https://eprel.ec.europa.eu>
2. Ricavare l'identificatore del modello dall'etichetta energetica apposta sul prodotto e digitarlo nel riquadro di ricerca
3. Vengono visualizzate le informazioni sull'etichettatura energetica del modello

Informazione sulla parte di ricambio

- Il periodo minimo nel quale i ricambi necessari continueranno ad essere disponibili
 - 7 anni termostati, sensori di temperatura, circuiti stampati e luci, maniglie di porte, cerniere, vassoi, guarnizioni (scatole o cassetti)
 - 10 anni guarnizioni delle porte
- La durata minima della garanzia dei dispositivi di refrigerazione offerta dal costruttore è di 24 mesi.
- Informazioni importanti per l'ordinazione dei ricambi, direttamente o tramite altri canali sono fornite dal costruttore, importatore o rappresentanti autorizzati
- È possibile ottenere informazioni sulle riparazioni professionali alla pagina <http://samsung.com/support>.
È possibile trovare il manuale di assistenza dell'utente alla pagina <http://samsung.com/support>.

Open Source Announcement

The software included in this product contains open source software.

The following URL http://opensource.samsung.com/opensource/SMART_TP2_0/seq/0 leads to open source license information as related to this product.



Memo

NOTA

Samsung dichiara che questo apparecchio radio è conforme alla Direttiva 2014/53/UE e con le relative disposizioni di legge nel Regno Unito.

Il testo completo della Dichiarazione di conformità UE e la Dichiarazione di conformità del Regno Unito sono disponibili all'indirizzo internet: La Dichiarazione di conformità ufficiale è reperibile all'indirizzo <http://www.samsung.com>, accedendo alla pagina Support > Search Product Support e digitando il nome del modello.

	Gamma frequenze	Potenza trasmettitore (Max)
Wi-Fi	2412 - 2472 MHz	20 dBm
Bluetooth	2402 - 2480 MHz	20 dBm

Contatta SAMSUNG WORLD WIDE

Se hai commenti o domande sui prodotti Samsung, contatta il Servizio Clienti Samsung.

Nazione	Contact Center	Sito web
CYPRUS	8009 4000 only from landline, toll free	www.samsung.com/gr/support
GREECE	80111-SAMSUNG (80111 726 7864) only from land line (+30) 210 6897691 from mobile and land line	
ITALIA	800-SAMSUNG (800.7267864)	www.samsung.com/it/support
PORTUGAL	210 608 098 Chamada para a rede fixa nacional Dias úteis das 9h às 20h	www.samsung.com/pt/support
SPAIN	91 175 00 15	www.samsung.com/es/support



DA68-03723H-00

Frigorífico

Manual del usuario

RT58*/RT62*

Electrodoméstico independiente

SAMSUNG

Índice

Información de seguridad	4
Símbolos y precauciones de seguridad importantes:	6
Señales de advertencia importantes sobre el transporte y la ubicación	6
Advertencias de instalación muy importantes	7
Precauciones de instalación	10
Advertencias de uso muy importantes	10
Precauciones de uso	15
Precauciones de limpieza	17
Advertencias de eliminación muy importantes	19
Consejos adicionales para un uso correcto	20
Consejos para el ahorro de energía	21
Este aparato está diseñado para utilizarse en entornos domésticos o similares como	21
Instrucciones sobre los RAEE	22
Instalación	23
Descripción general del frigorífico	23
Instalación paso a paso	25
Funcionamiento	29
Panel principal	29
SmartThings	36
Características especiales	39
Mantenimiento	42
Manipulación y cuidado	42
Limpieza	43
Recambio	44
Solución de problemas	45
General	45
SmartThings	47

Apéndice	48
Instrucciones de seguridad	48
Instrucciones de instalación	48
Instrucciones sobre la temperatura	49
Información para el modelo y el pedido de piezas de repuesto	52
Open Source Announcement	53



Información de seguridad

- Antes de utilizar su nuevo frigorífico Samsung, lea detenidamente este manual a fin de aprender a usar de manera segura y eficiente las funciones que ofrece su nuevo aparato.
- Este electrodoméstico no está diseñado para que lo usen personas (incluidos los niños) con discapacidad física, mental o sensorial, o faltas de conocimiento y experiencia, sin la supervisión o las indicaciones de una persona responsable que garanticen un uso seguro del aparato.
- Este electrodoméstico lo pueden utilizar niños a partir de los 8 años y personas con discapacidad física, mental o sensorial, siempre y cuando tengan una supervisión o instrucciones sobre el uso de estos electrodomésticos de una forma segura y siendo consecuentes de los posibles peligros que este pueda ocasionar. Los niños no deben jugar con el electrodoméstico. Los niños no deben efectuar tareas de limpieza ni de mantenimiento sin vigilancia.
- Las advertencias y las instrucciones de seguridad importantes de este manual no abarcan todas las situaciones posibles que puedan surgir.
Es su responsabilidad usar el sentido común y actuar con precaución y cuidado durante la instalación, el mantenimiento y el uso del electrodoméstico.
- Ya que las siguientes instrucciones de funcionamiento se aplican a varios modelos, las características de su frigorífico pueden variar ligeramente de las descritas en este manual y es posible que no sean relevantes todos los símbolos de advertencia. Si tiene consultas o dudas, puede ponerse en contacto con el centro de servicio técnico más cercano o solicitar ayuda e información en línea en www.samsung.com.
- Se utilizan los refrigerantes R-600a o R-134a. Compruebe la etiqueta del compresor situada en la parte posterior del electrodoméstico o la etiqueta de especificaciones del interior del frigorífico para ver cuál es el refrigerante utilizado. Cuando este producto contenga gases inflamables (refrigerante R-600a), póngase en contacto con las autoridades locales para eliminar este electrodoméstico de forma segura.
- Para evitar que se mezclen el gas inflamable y el aire en caso de una fuga en el circuito de refrigeración, el tamaño de la habitación donde se pueda instalar el electrodoméstico dependerá de la cantidad de refrigerante utilizado.



- Nunca ponga en marcha un electrodoméstico que presente indicios de daños. En caso de duda, póngase en contacto con el distribuidor. El tamaño de la habitación debe ser de 1 m³ por cada 8 g de refrigerante R-600a del electrodoméstico.

La cantidad de refrigerante de cada electrodoméstico se indica en la placa de identificación que se encuentra en el interior.

- Una fuga de refrigerante de los tubos se puede inflamar o causar lesiones oculares. Si hay fugas de refrigerante en los tubos, evite la presencia de llamas, aleje cualquier material inflamable del producto y ventile la habitación inmediatamente.
 - De no hacerlo se podría producir un incendio o una explosión.
- Es peligroso que una persona que no sea un técnico de servicio autorizado realice tareas de reparación en este aparato.



ADVERTENCIA: Riesgo de incendio/materiales inflamables



Información de seguridad

Símbolos y precauciones de seguridad importantes:

ADVERTENCIA

Prácticas peligrosas o inseguras que pueden provocar lesiones físicas graves o la muerte.

PRECAUCIÓN

Prácticas peligrosas o inseguras que pueden provocar lesiones físicas leves o daños a la propiedad.

Estos símbolos de advertencia tienen la función de prevenir lesiones personales a usted y a otras personas.

Debe seguirlos cuidadosamente.

Después de leer esta sección, guárdela para consultas futuras.

Señales de advertencia importantes sobre el transporte y la ubicación

ADVERTENCIA

- Cuando transporte e instale el electrodoméstico, tenga cuidado de no dañar ninguna pieza del circuito de refrigeración.
 - Una fuga de refrigerante se puede inflamar o causar lesiones oculares. Si detecta una fuga, evite la presencia de llamas o fuentes capaces de provocar una ignición y ventile durante varios minutos la habitación donde está instalado el frigorífico.
 - Este electrodoméstico contiene una pequeña cantidad de refrigerante isobutano (R-600a), un gas natural de alta compatibilidad medioambiental que, sin embargo, también es combustible. Cuando transporte e instale el electrodoméstico, tenga cuidado de no dañar ninguna pieza del circuito de refrigeración.



Advertencias de instalación muy importantes

ADVERTENCIA

- No instale el frigorífico en un lugar húmedo o donde pueda entrar en contacto con el agua.
 - Un aislamiento defectuoso de las partes eléctricas puede causar una descarga eléctrica o un incendio.
- No exponga el frigorífico a la luz directa del sol ni a fuentes de calor, como por ejemplo estufas, calentadores y otros aparatos.
- No enchufe más de un aparato en la misma placa de potencia. El frigorífico siempre se debe enchufar en su propia toma de corriente, que tenga una tensión nominal que coincida con la de la placa de especificaciones eléctricas del frigorífico.
 - Así se conseguirá el mejor rendimiento y se impedirá el sobrecalentamiento del cableado, que podría causar un incendio.
- Si la toma mural está floja, no enchufe el cable de alimentación.
 - Hay peligro de descarga eléctrica o incendio.
- No utilice un cable de alimentación que presente grietas o signos de abrasión en toda su longitud o en sus extremos.
- No doble excesivamente el cable de alimentación ni coloque sobre él objetos pesados.
- No tire con excesiva fuerza del cable de alimentación ni lo doble demasiado.
- No retuerza el cable de alimentación.
- No cuelgue el cable de alimentación de un objeto metálico, no ponga sobre él objetos pesados, no lo coloque entre objetos ni lo introduzca en el espacio que hay detrás del electrodoméstico.
- Cuando mueva el frigorífico, tenga cuidado de no enroscar ni dañar el cable de alimentación.
 - Se podría producir una descarga eléctrica o un incendio.

Información de seguridad

- No tire del cable para desenchufar el frigorífico. Sujete siempre firmemente el enchufe y tire de él en línea recta.
 - Si se daña el cable de alimentación se puede provocar un cortocircuito, un incendio o una descarga eléctrica.
- No almacene en este aparato sustancias explosivas como envases de aerosoles con propulsores inflamables.
- No instale este aparato cerca de un calentador o de materiales inflamables.
- No instale este aparato en un lugar donde pueda haber fugas de gas.
 - Se podría producir una descarga eléctrica o un incendio.
- Antes de su utilización, este frigorífico debe instalarse correctamente en el lugar adecuado siguiendo las instrucciones de este manual.
- Conecte el cable de alimentación en la posición adecuada y deje que cuelgue.
 - Si conecta el cable de alimentación invertido, los hilos se pueden cortar y provocar un incendio o una descarga eléctrica.
- Asegúrese de que el cable no quede aplastado ni lo dañe la parte posterior del frigorífico.
- Guarde los materiales del embalaje fuera del alcance de los niños.
 - Existe el riesgo de muerte por asfixia si un niño introduce la cabeza en los materiales de embalaje.
- Este electrodoméstico debe colocarse de modo que el enchufe sea accesible después de la instalación.
 - De lo contrario se podría producir una descarga eléctrica o un incendio debido a una fuga eléctrica.
- No instale este aparato en un lugar donde haya humedad, grasas o polvo, o que esté expuesto a la luz directa del sol o al agua de la lluvia.
 - Un aislamiento defectuoso de las partes eléctricas puede causar una descarga eléctrica o un incendio.
- Si hay polvo o agua dentro del frigorífico, desenchúfelo y póngase en contacto con el centro de servicio técnico de Samsung.
 - Hay peligro de incendio.

- No se suba al electrodoméstico ni coloque encima de él objetos (como ropa para lavar, velas o cigarrillos encendidos, platos, productos químicos, objetos metálicos, etc.).
 - Se podría provocar una descarga eléctrica, un incendio, problemas con el producto o lesiones personales.
- Antes de conectar el producto por primera vez debe quitar todas las películas de plástico de protección.
- No deje que los niños jueguen con los anillos elásticos del ajuste de las puertas ni con las grapas del tubo de agua.
 - Existe el riesgo de muerte por asfixia si un niño se traga un anillo elástico o una grapa del tubo de agua. Mantenga los anillos elásticos y las grapas del tubo de agua fuera del alcance de los niños.
- El frigorífico debe estar conectado a tierra.
 - Asegúrese siempre de conectar el frigorífico a una toma de tierra antes de intentar examinar o reparar alguna pieza. Las fugas de electricidad pueden provocar una descarga eléctrica.
- Para la conexión a tierra nunca utilice cañerías de gas, líneas de teléfono ni otros elementos que puedan atraer los rayos.
 - La puesta a tierra del frigorífico evita fugas de electricidad o descargas eléctricas originadas por una fuga de corriente del frigorífico.
 - Se podría producir una descarga eléctrica, un incendio, una explosión o causar problemas con el funcionamiento del producto.
- Conecte el enchufe firmemente en la toma mural. No utilice enchufes o cables dañados, ni tomas de pared sueltas.
 - Se podría producir una descarga eléctrica o un incendio.
- Si el cable de alimentación está dañado, debe reemplazarlo inmediatamente el fabricante o el personal de servicio técnico.



Información de seguridad

- El fusible del frigorífico debe reemplazarlo un técnico o una empresa de servicios acreditados.
 - De no hacerlo así, se podría provocar una descarga eléctrica o lesiones personales.
- Cuando instale el electrodoméstico, asegúrese de que el cable de alimentación no está atrapado ni dañado.
- No coloque regletas de enchufes portátiles o unidades de alimentación móviles en la parte posterior del electrodoméstico.

Precauciones de instalación

PRECAUCIÓN

- Deje espacio suficiente alrededor del frigorífico e instálelo sobre una superficie plana.
 - Procure que nada obstruya el espacio de ventilación de la caja o de la estructura de montaje.
- Después de la instalación y el encendido del aparato, no introduzca alimentos hasta que no hayan transcurrido 2 horas.
- Es muy recomendable encargar la instalación de este frigorífico a un técnico cualificado o una empresa de servicios.
 - De no hacerlo así, se podría provocar una descarga eléctrica, un incendio, una explosión, problemas con el producto o lesiones personales.
- Sobrecargar una de las puertas puede hacer caer el frigorífico y causar lesiones.

Advertencias de uso muy importantes

ADVERTENCIA

- No enchufe el cable de alimentación en la toma de pared con las manos mojadas.
 - Se puede producir una descarga eléctrica.



- No deposite objetos encima del aparato.
 - Al abrir o cerrar la puerta, los objetos se podrían caer y causar lesiones personales o daños materiales.
- No introduzca las manos ni los pies, ni objetos de metal (como varillas, etc.), en la parte inferior o posterior del frigorífico.
 - Se podría producir una descarga eléctrica o lesiones personales.
 - Los bordes afilados pueden causar lesiones personales.
- No toque las paredes interiores del congelador ni los productos guardados en su interior con las manos mojadas.
 - Se podría causar lesiones por congelación.
- No ponga recipientes que contengan agua encima del frigorífico.
 - Si se derrama agua, hay peligro de incendio o descarga eléctrica.
- No deje objetos ni sustancias volátiles o inflamables (benceno, disolventes, gas propano, alcohol, éter, gas LP y otros productos similares) en el frigorífico.
 - En este frigorífico solo se deben guardar alimentos.
 - Se puede producir un incendio o una explosión.
- No deje que los niños jueguen con el electrodoméstico.
 - Tenga cuidado de no pillarse los dedos en los puntos donde existe este riesgo. La holgura entre las puertas y el armario es necesariamente pequeña. Tenga cuidado cuando abra la puerta si hay niños cerca.
- No deje que los niños se cuelguen de la puerta ni de los compartimentos. Hay riesgo de lesiones graves.
- No permita que los niños se introduzcan en el frigorífico. Podrían quedar atrapados.
- No introduzca las manos debajo del aparato.
 - Los bordes afilados pueden causar lesiones personales.
- No almacene en el frigorífico productos farmacéuticos, materiales científicos ni otros productos sensibles a las temperaturas.
 - No almacene en el frigorífico productos que requieran un control estricto de la temperatura.



Información de seguridad

- No coloque ni utilice aparatos eléctricos dentro del frigorífico/congelador, a menos que lo recomiende el fabricante.
- Si advierte olor a fármaco o humo, desconéctelo inmediatamente y llame a su centro de servicio técnico de Samsung Electronics.
- Si hay polvo o agua dentro del frigorífico, desenchúfelo y póngase en contacto con su centro de servicio técnico de Samsung Electronics.
 - Hay peligro de incendio.
- No permita que los niños se suban encima de un cajón.
 - El cajón se puede romper y provocar su caída.
- No deje las puertas del frigorífico abiertas sin supervisión ni permita que los niños se introduzcan en el frigorífico.
- No deje que los niños se metan en el cajón.
 - Si quedan atrapados se podrían asfixiar o sufrir lesiones.
- No llene en exceso el frigorífico.
 - Al abrir o cerrar la puerta, los artículos se podrían caer y causar lesiones personales o daños materiales.
- No rocíe materiales volátiles, como insecticidas, sobre la superficie del aparato.
 - Además de ser perjudiciales para las personas, se podría provocar una descarga eléctrica, un incendio o problemas con el producto.
- No utilice ni deposite sustancias sensibles a la temperatura, como pulverizadores u objetos inflamables, hielo seco, medicinas ni productos químicos cerca o dentro del frigorífico.
- No utilice un secador de pelo para secar el interior del frigorífico. No ponga una vela encendida en el interior del frigorífico para eliminar los malos olores.
 - Se podría producir una descarga eléctrica o un incendio.
- Llene el depósito de agua, la bandeja de hielo y las cubiteras solo con agua potable (agua mineral o depurada).
 - No llene el depósito con té, zumos ni bebidas isotónicas; podría dañar el frigorífico.



- No se suba al electrodoméstico ni coloque encima de él objetos (como ropa para lavar, velas o cigarrillos encendidos, platos, productos químicos, objetos metálicos, etc.). Se podría provocar una descarga eléctrica, un incendio, problemas con el producto o lesiones personales. No ponga recipientes que contengan agua encima del electrodoméstico.
 - Si se derrama agua, hay peligro de incendio o descarga eléctrica.
- No utilice dispositivos mecánicos ni otros métodos para acelerar el proceso de descongelación que no sean los recomendados por el fabricante.
- No dañe el circuito de refrigeración.
- No mire directamente la lámpara LED UV durante mucho tiempo.
 - Los rayos ultravioletas pueden causar fatiga ocular.
- No ponga el estante del frigorífico boca abajo. El tope del estante podría no funcionar.
 - La caída del estante de vidrio podría provocar lesiones personales.
- Tenga cuidado de no pillarse los dedos en los puntos donde existe este riesgo. La holgura entre las puertas y el armario es necesariamente pequeña. Tenga cuidado cuando abra la puerta si hay niños cerca.
- Si detecta una fuga de gas, evite la presencia de llamas o posibles fuentes de ignición y ventile durante varios minutos la habitación donde está instalado el electrodoméstico.
 - No toque el aparato ni el cable de alimentación.
 - No utilice un ventilador.
 - Una chispa podría provocar una explosión o un incendio.
- Utilice solo las lámparas LED suministradas por el fabricante o su personal de servicio técnico.
- Las botellas se deben guardar juntas y sin dejar espacio entre ellas para evitar que se caigan.
- Este producto está diseñado únicamente para almacenar alimentos en un entorno doméstico.



Información de seguridad

- No intente arreglar, desmontar ni modificar el frigorífico usted mismo.
 - Las modificaciones no autorizadas pueden causar problemas de seguridad. Para revertir una modificación no autorizada, cobraremos el coste total de las piezas y la mano de obra.
- No utilice un fusible (como cable de cobre o acero, etc.) que no sea el estándar.
- Si es necesario reparar o volver a instalar el frigorífico, póngase en contacto con su centro de servicio técnico más cercano.
 - De no hacerlo así, se podría provocar una descarga eléctrica, un incendio, problemas con el producto o lesiones personales.
- Si la lámpara LED interior o exterior se ha apagado, póngase en contacto con su centro de servicio técnico más cercano.
- Si advierte olor a quemado o a humo en el frigorífico, desenchúfelo de inmediato y póngase en contacto con el centro de servicio técnico de Samsung Electronics.
 - De no hacerlo así, se podría provocar una descarga eléctrica o un incendio.
- Desenchufe el electrodoméstico de la toma de corriente antes de cambiar las lámparas interiores del frigorífico.
 - De lo contrario, hay peligro de descarga eléctrica.
- Si tiene dificultades para cambiar una lámpara que no sea LED, póngase en contacto con un centro de servicio técnico de Samsung.
- Si el producto está equipado con lámparas LED, no desmonte la tapa de la lámpara ni la lámpara LED usted mismo.
 - Póngase en contacto con un centro de servicio técnico de Samsung.
- Conecte el enchufe firmemente en la toma mural.
- No utilice enchufes o cables dañados, ni tomas de pared sueltas.
 - Se podría producir una descarga eléctrica o un incendio.



Precauciones de uso

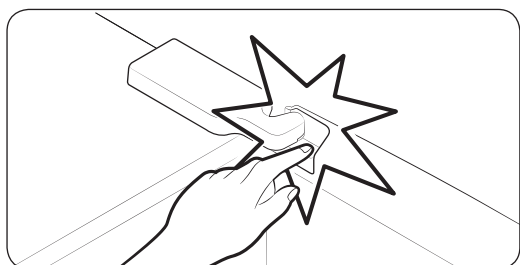
PRECAUCIÓN

- No vuelva a congelar alimentos que se hayan descongelado completamente. No guarde bebidas carbónicas ni refrescos en el compartimento del congelador. No guarde botellas ni envases de vidrio en el congelador.
 - Al congelarse el contenido, el vidrio se puede romper y provocar lesiones personales.
- Utilice solo la máquina de hielo proporcionada con el frigorífico.
- Para conseguir el mejor rendimiento del producto:
 - No ponga alimentos demasiado cerca de las salidas de ventilación de la parte posterior del frigorífico ya que podrían obstruir la circulación del aire del compartimento del frigorífico.
 - Envuelva los alimentos adecuadamente o póngalos en un recipiente hermético antes de guardarlos en el frigorífico.
 - No guarde botellas de vidrio ni bebidas carbónicas en el congelador. Pueden congelarse y romperse. Los envases rotos de bebidas pueden causar lesiones personales.
 - Sea estricto con los tiempos de almacenamiento máximo y las fechas de caducidad de los alimentos congelados.
- No guarde botellas ni envases de vidrio ni bebidas carbónicas en el congelador.
 - El envase se puede congelar y romper y provocar lesiones personales.
- No guarde bebidas carbónicas ni refrescos en el compartimento del congelador. No guarde botellas ni envases de vidrio en el congelador.
 - Al congelarse el contenido, el vidrio se puede romper y provocar lesiones personales y daños materiales.



Información de seguridad

- Garantía de servicio y modificaciones.
 - El servicio de garantía de Samsung no cubre los cambios o modificaciones realizados por un tercero a este frigorífico y Samsung no se hace responsable de los problemas relacionados con la seguridad que se deriven de las modificaciones realizadas por terceros.
- No obstruya las rejillas de ventilación internas del frigorífico.
 - Si bloquea las salidas, en especial con bolsas de plástico, el frigorífico se puede enfriar en exceso. Si un periodo de enfriamiento es demasiado largo, el filtro del agua se puede romper y provocar fugas de agua.
- Utilice solo la máquina de hielo proporcionada con el frigorífico.
- Elimine el exceso de humedad del interior y deje las puertas abiertas.
 - De lo contrario, pueden generarse malos olores y mohos.
- Si ha desconectado el frigorífico de la fuente de alimentación, deberá esperar al menos cinco minutos antes de volver a conectarlo.
- Si el frigorífico se moja, desenchúfelo y póngase en contacto con el centro de servicio técnico de Samsung Electronics.
- No golpee ni aplique una fuerza excesiva sobre las superficies de vidrio.
 - La rotura del vidrio puede causar lesiones personales o daños materiales.
- Llene el depósito de agua y las cubiteras solo con agua potable (agua del grifo, mineral o depurada).
 - No llene el depósito con té ni bebidas isotónicas. Podría dañar el frigorífico.



- Tenga cuidado de no atraparse los dedos.



- Las lámparas del congelador y del frigorífico se apagan si las puertas de ambos permanecen abiertas 2 segundos o más.
 - Las lámparas se encienden de nuevo cuando las puertas se cierran y se vuelven a abrir.
- Si el frigorífico se llena de agua, póngase en contacto con el servicio técnico más cercano.
 - Hay peligro de descarga eléctrica o incendio.
- No guarde aceite vegetal en los compartimentos de la puerta del frigorífico. El aceite puede solidificarse, lo que alterará su sabor y la facilidad de uso. Además, el envase abierto puede gotear y el aceite vertido puede agrietar el compartimento de la puerta. Una vez abierto el envase de aceite, es mejor guardarlo en un lugar fresco y a la sombra, como un armario o despensa.
 - Ejemplos de aceite vegetal: aceite de oliva, de maíz, de pepitas de uva, etc.

Precauciones de limpieza

PRECAUCIÓN

- No rocíe agua directamente en el interior ni en el exterior del frigorífico.
 - Hay riesgo de descarga eléctrica o incendio.
- No utilice un secador de pelo para secar el interior del frigorífico.
- No ponga una vela encendida en el interior del frigorífico para eliminar los malos olores.
 - Se podría producir una descarga eléctrica o un incendio.
- No rocíe el panel directamente con limpiadores en aerosol.
 - Los caracteres impresos del panel se pueden borrar.
- Si ha penetrado en el aparato cualquier sustancia extraña como agua, desenchufe el cable y póngase en contacto con el centro de servicio técnico más cercano.
 - De no hacerlo así, se podría provocar una descarga eléctrica o un incendio.



Información de seguridad

- Utilice un paño limpio y seco para eliminar cualquier resto de polvo o suciedad de las clavijas del enchufe. No utilice un paño húmedo o mojado para limpiar el enchufe.
 - Hay peligro de incendio o descarga eléctrica.
- No rocíe agua directamente sobre el aparato para limpiarlo.
- No limpie con benceno, disolventes, lejía ni cloruro.
 - Podría dañar la superficie y provocar un incendio.
- No introduzca los dedos ni objetos en el orificio del dispensador.
 - Hay riesgo de lesiones personales o daños materiales.
- Antes de realizar tareas de limpieza o de mantenimiento, desenchufe el aparato de la toma mural.
 - De no hacerlo así, se podría provocar una descarga eléctrica o un incendio.
- Utilice una esponja limpia o un paño suave y un detergente neutro disuelto en agua tibia para limpiar el frigorífico.
- No utilice limpiadores abrasivos ni muy fuertes, como limpiacristales, limpiadores corrosivos, líquidos inflamables, ácido clorhídrico, ceras limpiadoras, detergentes concentrados, lejías ni limpiadores que contengan derivados del petróleo en las superficies exteriores (puertas y paneles), piezas de plástico, revestimientos de puertas e interiores y juntas.
 - Pueden rayar o dañar el material.
- Cuando los estantes o las tapas de vidrio están fríos, no los limpie con agua tibia. Los estantes y las tapas de vidrio pueden romperse si se exponen a cambios bruscos de temperatura o a impactos como golpes o caídas.



Advertencias de eliminación muy importantes

ADVERTENCIA

- Deshágase del embalaje de este aparato de forma respetuosa con el medio ambiente.
- Antes de deshacerse de un aparato compruebe que no estén deteriorados los tubos de la parte posterior.
- Se utilizan los refrigerantes R-600a o R-134a. Compruebe la etiqueta del compresor situada en la parte posterior del electrodoméstico o la etiqueta de especificaciones del interior del frigorífico para ver cuál es el refrigerante utilizado. Si este frigorífico contiene gases inflamables (refrigerante R-600a), póngase en contacto con las autoridades locales para eliminar este aparato de forma segura.
- Cuando se deshaga de este frigorífico, quite la puerta y los cierres y pestillos de la puerta para que no pueda quedar atrapado en su interior un niño pequeño o un animal. No deje que los niños jueguen con el electrodoméstico. Si un niño queda atrapado dentro se puede lesionar o morir asfixiado.
 - Si un niño queda atrapado dentro se puede lesionar y morir asfixiado.
- Se usa ciclopentano en el aislante. Los gases de los materiales aislantes requieren un procedimiento especial de eliminación. Póngase en contacto con las autoridades locales para deshacerse de este aparato de forma segura para el medio ambiente.
- Guarde los materiales del embalaje fuera del alcance de los niños, ya que pueden ser peligrosos para ellos.
 - Si un niño mete la cabeza en una bolsa, se podría asfixiar.



Información de seguridad

Consejos adicionales para un uso correcto

- En el caso de un fallo de corriente, llame a la oficina local de su compañía eléctrica y solicite información sobre la duración de la interrupción del suministro.
 - La mayoría de los cortes de electricidad que se solucionan en una o dos horas no afectan a la temperatura del frigorífico. Sin embargo, mientras el aparato esté sin corriente abra la puerta lo menos posible.
 - Si el fallo de corriente supera las 24 horas, saque todos los alimentos congelados y deséchelos.
- Es posible que el frigorífico no funcione correctamente (descongelación del contenido o temperatura del compartimento de los congelados demasiado alta) si se ha mantenido durante un tiempo excesivo en un lugar donde la temperatura ambiente esté constantemente por debajo de las temperaturas para las que se ha diseñado este frigorífico.
- En el caso de determinados alimentos, mantenerlos refrigerados puede tener un efecto negativo sobre la conservación debido a sus propiedades.
- Este aparato no genera escarcha y no es necesario descongelarlo manualmente. Esta función se realiza automáticamente.
- El aumento de la temperatura durante la descongelación cumple con los requisitos ISO. Si desea evitar un aumento indebido de la temperatura de los alimentos congelados durante la descongelación del aparato, envuélvalos con varias capas de papel de periódico.
- No vuelva a congelar alimentos que se hayan descongelado completamente.
- La temperatura en las secciones o compartimentos con el símbolo de dos estrellas (❄️❄️) es ligeramente más alta que en los otros compartimentos del congelador.

La ubicación de las secciones o los compartimentos de dos estrellas puede variar según el producto y deberá referirse a las instrucciones o al estado en el momento de la entrega.



Consejos para el ahorro de energía

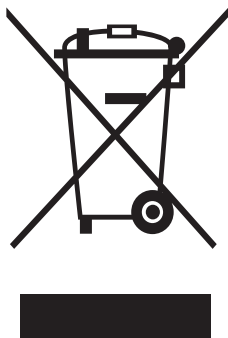
- Instale el aparato en un lugar fresco y seco con la ventilación adecuada. No exponga el aparato a la luz directa del sol ni lo ponga cerca de fuentes de calor directo (un radiador, por ejemplo).
- Para mejorar la eficiencia energética, se recomienda no bloquear las aberturas ni las rejillas de ventilación.
- Deje enfriar los alimentos antes de introducirlos en el aparato.
- Deje descongelar los alimentos en el frigorífico. De este modo se utilizan las bajas temperaturas de los alimentos congelados para enfriar los alimentos del frigorífico.
- No deje abierta la puerta del frigorífico demasiado tiempo cuando introduzca o saque alimentos. Cuanto menos tiempo esté abierta la puerta, menos escarcha se formará en el congelador.
- Se recomienda instalar el frigorífico con un espacio libre en la parte posterior y los laterales. Esto ayudará a reducir tanto el consumo de energía como los recibos de la luz.
- Para un uso más eficiente de la energía, mantenga todos los accesorios internos, como cestas, cajones o estantes, en la posición en la que los entrega el fabricante.

Este aparato está diseñado para utilizarse en entornos domésticos o similares como

- cocinas para el personal de tiendas, oficinas u otros lugares de trabajo
- albergues rurales y habitaciones de hoteles, moteles y otros entornos residenciales
- pensiones y casas de huéspedes
- catering y aplicaciones no minoristas similares.

Información de seguridad

Instrucciones sobre los RAEE



Eliminación correcta de este producto (Residuos de aparatos eléctricos y electrónicos)

(Se aplica en países con sistemas de recolección por separado)

La presencia de este símbolo en el producto, los accesorios o el material informativo que lo acompañan indica que al finalizar su vida útil ni el producto ni sus accesorios electrónicos (como el cargador, los cascos, el cable USB) deberán eliminarse junto con otros residuos domésticos. Para evitar los posibles daños al medio ambiente o a la salud humana que representa la eliminación incontrolada de residuos, separe estos productos de otros tipos de residuos y recíclelos correctamente. De esta forma se promueve la reutilización sostenible de recursos materiales.

Los usuarios particulares pueden contactar con el establecimiento donde adquirieron el producto o con las autoridades locales pertinentes para informarse sobre cómo y dónde pueden llevarlo para que sea sometido a un reciclaje ecológico y seguro.

Los usuarios comerciales pueden contactar con su proveedor y consultar las condiciones del contrato de compra. Este producto y sus accesorios electrónicos no deben eliminarse junto a otros residuos comerciales.

Para obtener información sobre los compromisos medioambientales y las obligaciones normativas del producto de Samsung, por ejemplo, las Directivas REACH, WEEE y de pilas, visite nuestra página de sostenibilidad disponible a través de www.samsung.com

(Solo para productos que se venden en países europeos y Reino Unido)

Instalación

Antes de instalar el frigorífico, siga detenidamente estas instrucciones para asegurar una instalación correcta y evitar accidentes.

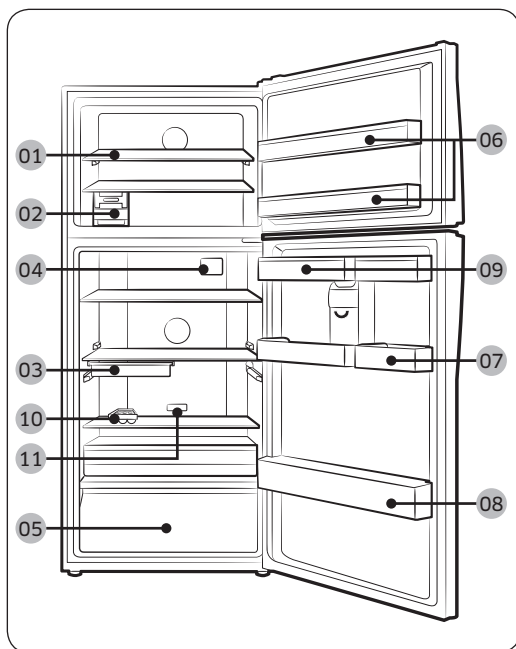
⚠ ADVERTENCIA

- Utilice este frigorífico solo para las funciones propias que se describen en este manual.
- Los servicios de reparación debe efectuarlos un técnico cualificado.
- Deshágase del embalaje de este aparato de conformidad con la normativa local.

Descripción general del frigorífico

📄 NOTA

La imagen real y los componentes proporcionados del frigorífico pueden diferir, según el modelo y el país.

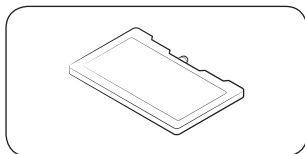


- 01 Estante congelador
- 02 Máquina de hielo
- 03 Bandeja charcutería *
- 04 Protector antibacterias *
- 05 Cajón de verduras *
- 06 Balda del congelador
- 07 Balda multiusos
- 08 Balda para botellas
- 09 Depósito de agua *
- 10 Huevera
- 11 Desodorizador *

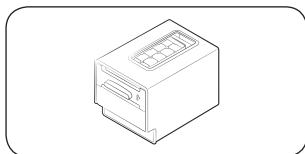
* solo modelos aplicables

Instalación

Accesorios opcionales *



Acumulador de frío: Ayuda a mantener la temperatura del frigorífico.



Máquina de hielo de palanca: Se utiliza para fabricar hielo.

* Su frigorífico puede no incluir los accesorios opcionales relacionados en la lista. El suministro de accesorios opcionales depende del modelo y del país.

Para disponer de más espacio en el compartimento del congelador

Retire la máquina de hielo, que puede separarse fácilmente sin necesidad de herramientas.

- Al retirar la máquina de hielo, el rendimiento térmico y mecánico del congelador no resulta afectado.

Para mayor eficiencia energética, asegúrese de que todos los estantes, cajones y cestas están en su posición original.

Instalación paso a paso

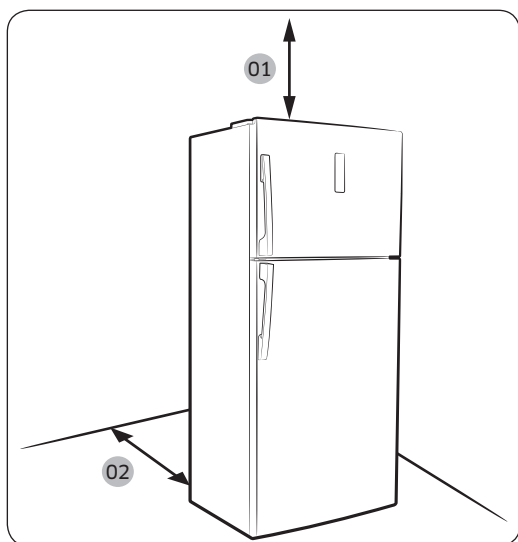
PASO 1 Selección de la ubicación

Requisitos del lugar:

- Superficie sólida y nivelada sin alfombras ni suelos que puedan obstruir la ventilación
- Alejado de la luz directa del sol
- Espacio suficiente para abrir y cerrar la puerta
- Alejado de fuentes de calor
- Espacio suficiente para tareas de mantenimiento y reparación
- Rango de temperatura: entre 10 °C y 43 °C

Espacio requerido

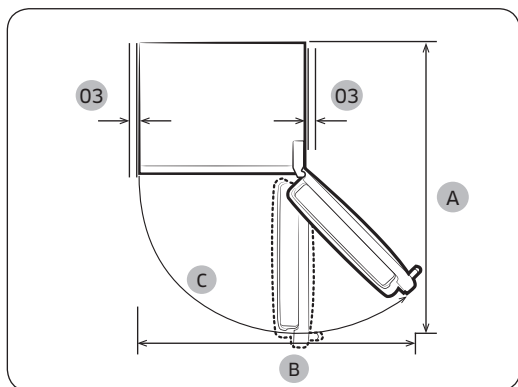
Consulte las imágenes y la tabla siguientes para conocer el espacio necesario para la instalación.



Modelo	A	B	C
RT58	1507	1352	120°
RT62	1507	1352	120°

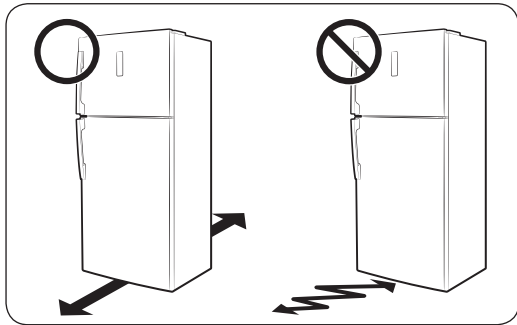
(unidad: mm)

- 01** 100 mm
- 02** 50 mm
- 03** al menos 50 mm



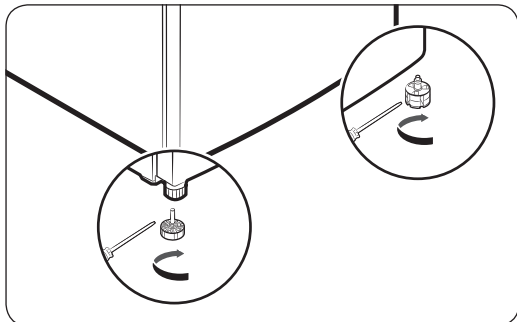
Instalación

PASO 2 Pavimento

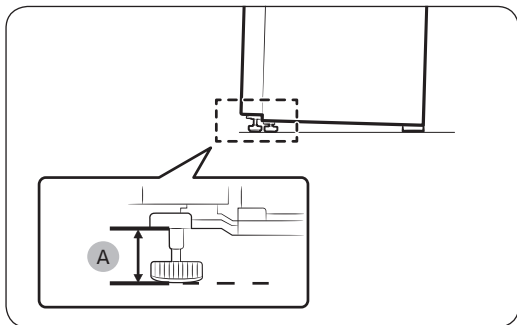


- La superficie de instalación debe poder sostener un frigorífico a plena carga, o aproximadamente 100 kg.
- Para proteger el suelo, coloque un trozo grande de cartón en cada pata del frigorífico.
- Una vez el frigorífico se encuentre en la ubicación definitiva, no lo desplace a menos que sea necesario a fin de proteger el suelo. Si debe hacerlo, cubra el espacio de desplazamiento con papel grueso o tela, por ejemplo una alfombra vieja.

PASO 3 Regulación de las patas de ajuste



Nivele el frigorífico manualmente regulando las patas de ajuste. Gire las patas de ajuste en el sentido de las agujas del reloj para bajarlo y en el sentido contrario al de las agujas del reloj para subirlo.

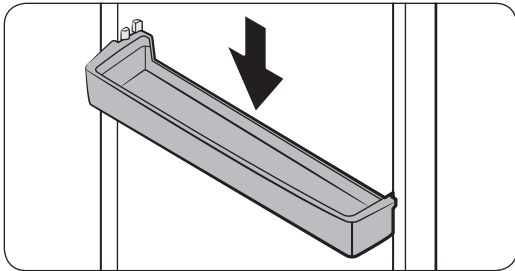


Deje las patas por lo menos a 35 mm (A) del suelo tal como se muestra.

PASO 4 Desembale y coloque los accesorios en su lugar (solo modelos aplicables)

Los accesorios que se envían con este frigorífico están correctamente embalados para transporte y por razones de seguridad. Desembale los accesorios y colóquelos en su lugar.

Compartimentos de la puerta

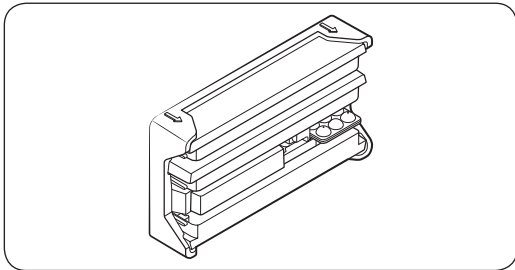


El producto viene con baldas para la puerta. Inserte las baldas para la puerta en el congelador y en la nevera.

Si quiere usar la huevera, asegúrese de que se coloca en la nevera o de que se inserta en la balda de la puerta.

NOTA

Presione bien las baldas de la puerta cuando las monte en la puerta.



Instalación

PASO 5 Configuración inicial

Siga estos pasos para que su frigorífico esté totalmente operativo.

1. Enchufe el cable de alimentación en la toma mural para encender el frigorífico.
2. Abra la puerta y compruebe si se enciende la luz interior.
3. Ajuste el control a la temperatura más baja y espere alrededor de una hora. Luego el congelador se enfriará ligeramente y el motor funcionará con suavidad.
4. Espere hasta que el frigorífico alcance la temperatura ajustada. Ahora el frigorífico está a punto para funcionar.

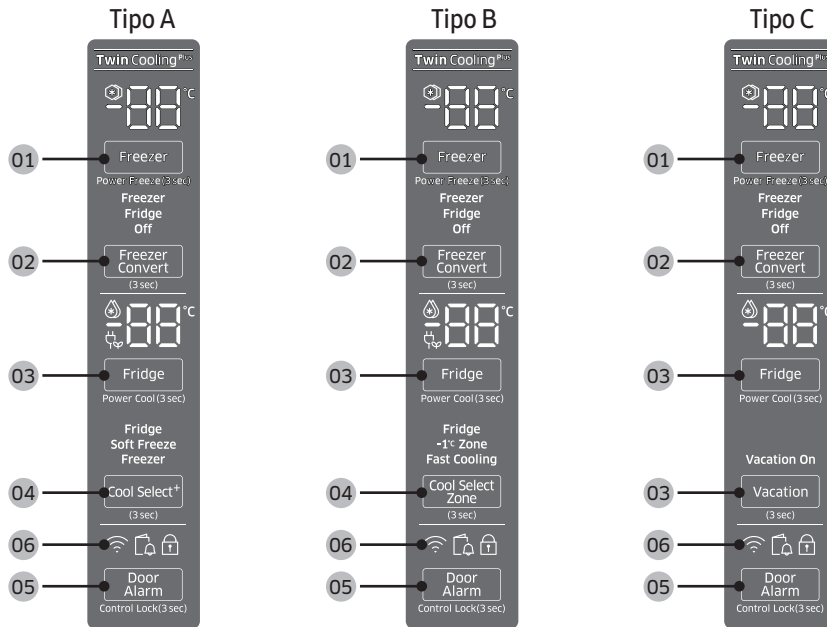
PASO 6 Comprobación final

Una vez finalizada la instalación, compruebe que:

- El frigorífico está enchufado en una toma eléctrica y conectado correctamente a tierra.
- El frigorífico está instalado sobre una superficie plana y nivelada y separado razonablemente de la pared o del armario.
- El frigorífico está nivelado y se apoya firmemente sobre el suelo.
- La puerta se abre y cierra libremente, y la luz interior se enciende automáticamente al abrir la puerta.

Funcionamiento

Panel principal



01 Freezer (Congelador) / Power Freeze (Congelación rápida)

04 Cool Select+ (Selección de enfriamiento+) / Cool Select Zone (Zona de selección de frío) *

* Solo modelos aplicables

02 Freezer Convert (Conversión del congelador)

05 Door Alarm (Alarma de la puerta) / Control Lock (Bloqueo del control)

03 Fridge (Frigorífico) / Power Cool (Enfriamiento rápido) / Vacation (Vacaciones)

06 Conexión de red *

Funcionamiento

01 Congelador / Congelación rápida

Freezer (Congelador)	<p>Con el botón Freezer (Congelador) se puede ajustar la temperatura del congelador. El rango de temperaturas disponible es entre -15 °C y -23 °C.</p> <p>⚠ PRECAUCIÓN</p> <ul style="list-style-type: none">• Para evitar fallos del sistema o que los alimentos se echen a perder, no ajuste la temperatura a -15 °C en verano (más de 35 °C).• No guarde botellas de vidrio que contengan líquido en el congelador. Las botellas de vidrio se agrietan o se rompen cuando el líquido se congela.
Power Freeze (Congelación rápida)	<p>Congelación rápida acelera el proceso de congelación con la velocidad máxima del ventilador. El congelador funciona a la máxima velocidad durante varias horas y luego vuelve a la temperatura anterior.</p> <ul style="list-style-type: none">• Para activar Congelación rápida, mantenga pulsado Freezer (Congelador) durante 3 segundos. El indicador correspondiente (❄) se ilumina y el frigorífico acelera el proceso de enfriamiento.• Para desactivar, mantenga pulsado Freezer (Congelador) otra vez durante 3 segundos. El congelador vuelve al ajuste de temperatura anterior.• Para congelar grandes cantidades de alimentos, active Congelación rápida al menos 20 horas antes de guardar alimentos en el congelador.• El congelador funciona a la máxima velocidad durante 50 horas y luego vuelve a la temperatura anterior. <p>📖 NOTA</p> <p>El uso de Congelación rápida aumenta el consumo de energía. Asegúrese de apagarlo y volver a la temperatura anterior si no tiene intención de utilizarlo.</p>

02 Conversión del congelador

Puede utilizar todo el frigorífico con el modo Fridge (Frigorífico) o apagar el congelador.

Para cambiar el modo de congelador predeterminado, mantenga pulsado **Freezer Convert (Conversión del congelador)** durante 3 segundos para acceder al modo de selección. A continuación, pulse **Freezer Convert (Conversión del congelador)** para seleccionar el modo deseado.

El modo cambia en la siguiente secuencia: Fridge (Frigorífico) → Off (Desactivar) → Freezer (Congelador) → Off (Desactivar) → Modo de configuración de Fridge (Frigorífico).

- Si selecciona Fridge (Frigorífico), se enciende el indicador correspondiente. Power Freeze (Congelación rápida) se desactiva si está activa y Ice On (Hielo activado) se apagará si está habilitada.
- Si selecciona Off (Desactivar), se enciende el indicador correspondiente. El congelador se apaga.
- Si selecciona Freezer (Congelador), los indicadores del congelador se encienden para su selección.

Los cambios que efectúe se ajustarán y se activarán al cabo de 10 segundos. Para cancelar o volver a cambiar el modo, mantenga pulsado **Freezer Convert (Conversión del congelador)** durante 3 segundos. A continuación, siga las instrucciones mencionadas más arriba.

NOTA

- Si mantiene pulsado **Freezer Convert (Conversión del congelador)** durante 3 segundos, el frigorífico cambia al modo de selección donde puede pulsar **Freezer Convert (Conversión del congelador)** para seleccionar un modo distinto.
- Cuando las funciones de refrigeración o congelación están en el modo 'Off (Desactivar)', la temperatura del frigorífico o del congelador se mantiene a menos de 15 °C para evitar que se formen moho y malos olores, con un bajo consumo de electricidad.
- El frigorífico y el congelador no se pueden apagar por separado.
- No guarde alimentos ni bebidas en el frigorífico cuando las funciones de refrigeración o congelación estén en el modo 'Off (Desactivar)'. Una temperatura de 15 °C no es suficiente para conservar alimentos.

ADVERTENCIA

- No ponga botellas de vidrio que contengan líquido en el congelador. Cuando se cancela Freezer convert (Conversión del congelador), las botellas de cristal se pueden romper o explotar en el congelador.
- Asegúrese de retirar los alimentos congelados del congelador antes de activar Freezer convert (Conversión del congelador). Los alimentos congelados se derriten y se echan a perder cuando aumenta la temperatura (cuando el modo Freezer (Congelador) pasa al modo Fridge (Frigorífico)).
- Asegúrese de retirar los alimentos refrigerados del congelador antes de desactivar Freezer Convert (Conversión del congelador). Los alimentos refrigerados pueden congelarse cuando disminuye la temperatura (cuando el modo Fridge (Frigorífico) pasa al modo Freezer (Congelador)).



NOTA

Si desea usar Freezer Convert (Conversión del congelador), es muy recomendable utilizar recipientes de plástico para guardar alimentos, en especial si se trata de verduras.

Funcionamiento

03 Frigorífico / Enfriamiento rápido / Vacaciones

Fridge (Frigorífico)	<p>Para ajustar la temperatura del frigorífico, pulse Fridge (Frigorífico) para seleccionar la temperatura correspondiente. Puede modificar la temperatura entre 1 °C y 7 °C.</p> <p>⚠ PRECAUCIÓN</p> <ul style="list-style-type: none">• En invierno, no ajuste la temperatura a 1 °C. Esto puede causar problemas con la capacidad de enfriamiento.• En verano, no ajuste la temperatura a 5-7 °C. Esto también puede causar problemas con la capacidad de enfriamiento.
Power Cool (Enfriamiento rápido)	<p>Enfriamiento rápido acelera el proceso de enfriamiento con la velocidad máxima del ventilador. El frigorífico funciona a la máxima velocidad durante varias horas y luego vuelve a la temperatura anterior.</p> <ul style="list-style-type: none">• Para activar Enfriamiento rápido, mantenga pulsado Fridge (Frigorífico) durante 3 segundos. El indicador correspondiente (🌀) se ilumina y el frigorífico acelera el proceso de enfriamiento.• Para desactivar Enfriamiento rápido, mantenga pulsado Fridge (Frigorífico) otra vez durante 3 segundos. El frigorífico vuelve al ajuste de temperatura anterior. <p>📄 NOTA</p> <p>El uso de Enfriamiento rápido aumenta el consumo de energía. Asegúrese de apagarlo y volver a la temperatura anterior si no tiene intención de usarlo.</p>


<p>Vacation (Vacaciones)</p>	<p>Si se va de vacaciones o de viaje de negocios, o si no piensa utilizar el frigorífico durante un periodo prolongado, use el modo Vacaciones.</p> <p>(Solo modelos Tipo A y Tipo B)</p> <ul style="list-style-type: none"> • Para activar el modo Vacaciones, pulse Fridge (Frigorífico) con el indicador 1 °C seleccionado. El indicador de vacaciones () se enciende mientras la pantalla de temperaturas del frigorífico se apaga. La pantalla de los modelos de Tipo A (Cool Select+) y Tipo B (Cool Select Zone) también se apaga. La temperatura del frigorífico permanecerá controlada por debajo de 15 °C, pero el congelador seguirá activo con la configuración anterior. • Para desactivar el modo Vacaciones, vuelva a pulsar Fridge (Frigorífico). La temperatura del frigorífico se restablecerá en 7 °C. Tenga en cuenta que los modelos de Tipo A (Cool Select+) y Tipo B (Cool Select Zone) recuperan los ajustes de temperatura del frigorífico. <p>(Solo modelos Tipo C)</p> <ul style="list-style-type: none"> • Para activar el modo Vacaciones, mantenga pulsado Vacation (Vacaciones) durante 3 segundos. El indicador de vacaciones se enciende mientras que la pantalla de temperaturas del frigorífico se apaga. La temperatura del frigorífico permanecerá controlada por debajo de 15 °C, pero el congelador seguirá activo con la configuración anterior. • Para desactivar el modo Vacaciones, mantenga pulsado Vacation (Vacaciones) de nuevo durante 3 segundos. La temperatura del frigorífico vuelve al ajuste de temperatura anterior. <p> NOTA</p> <p>Es muy recomendable vaciar el compartimento del frigorífico y asegurarse de que la puerta está cerrada.</p> <p>En los modelos Cool Select+/Cool Select Zone, el modo Vacaciones se controla a menos de 15 °C, como en los ajustes del frigorífico. Sin embargo, en algunos modelos, el indicador correspondiente se apaga.</p>
----------------------------------	---

Funcionamiento

04 Selección de enfriamiento+ / Zona de selección de frío (solo modelos aplicables)

Cool Select+ (Selección de enfriamiento+) (TIPO A)	<p>Mantenga pulsado Cool Select+ (Selección de enfriamiento+) durante 3 segundos. A continuación vuelva a pulsarlo para seleccionar el modo deseado. El indicador correspondiente se enciende.</p> <ul style="list-style-type: none">• Fridge (Frigorífico) Si está seleccionada, la Cool Select Zone se ajusta en 3 °C.• Soft Freeze (Congelación suave) Si está seleccionada, la Cool Select Zone se ajusta en -5 °C. Resulta útil para guardar carne o pescado durante un periodo más largo.• Freezer (Congelador) Si está seleccionada, la Cool Select Zone se ajusta en -12 °C. Resulta útil para conservar verduras congeladas durante un periodo más largo.
Cool Select Zone (Zona de selección de frío) (TIPO B)	<p>Mantenga pulsado Cool Select Zone (Zona de selección de frío) durante 3 segundos. A continuación vuelva a pulsarlo para seleccionar el modo deseado. El indicador correspondiente se enciende.</p> <ul style="list-style-type: none">• Fridge (Frigorífico) Si está seleccionada, la Cool Select Zone se ajusta en 3 °C.• -1 °C Zone (Zona -1 °C) Si está seleccionada, la Cool Select Zone se ajusta en -1 °C. Resulta útil para guardar alimentos que se conservan poco tiempo.• Fast Cooling (Refrigeración rápida) Seleccione esta opción si desea enfriar rápidamente los alimentos. La Cool Select Zone enfría los alimentos a la velocidad máxima durante 60 minutos.

05 Alarma de la puerta / Bloqueo de control

Door Alarm (Alarma de la puerta)	<p>Puede programar la alarma para que sea un recordatorio. Si la puerta se deja abierta durante más de 2 minutos, la alarma sonará con el indicador de alarma parpadeando. Puede activar y desactivar la alarma pulsando Door Alarm (Alarma de la puerta). La alarma viene activada de fábrica.</p>
Control Lock (Bloqueo del control)	<p>Para evitar manipulaciones involuntarias, mantenga pulsado Door Alarm (Alarma de la puerta) durante 3 segundos para activar el Bloqueo de control. Todos los controles se inhabilitarán con el indicador () activado.</p> <p>Para desactivar, mantenga pulsado otra vez durante 3 segundos. Los controles se habilitarán de forma normal.</p>

06 Conexión de red (solo modelos aplicables)

Este icono indica que el frigorífico está conectado a una red. Si el icono de la wifi (📶) parpadea, le recomendamos que conecte su frigorífico con la aplicación SmartThings. Puede controlar y supervisar su frigorífico a través de la aplicación SmartThings. Para obtener más información, consulte la sección SmartThings.

Activar o desactivar la wifi

Para activar o desactivar la conexión wifi, mantenga pulsado **Door Alarm (Alarma de la puerta)** durante 10 segundos. El icono de la wifi (📶) muestra el estado de la conexión wifi como se muestra a continuación.

- Wifi desactivada: El icono de la wifi (📶) parpadea durante 5 segundos y luego se apaga.
- Wifi activada: El icono de la wifi (📶) parpadea durante 5 segundos y luego se enciende durante 5 segundos.

NOTA

- Debe encender la wifi para conectar el frigorífico a la aplicación SmartThings.
- Para obtener más información, consulte la sección **SmartThings**.

Funcionamiento

SmartThings

Instalación

Visite Google Play Store, Galaxy Apps o Apple App Store y busque «SmartThings». Descargue e instale en su dispositivo inteligente la aplicación SmartThings proporcionada por Samsung Electronics.

NOTA

- La versión de software compatible de la aplicación SmartThings está sujeta a cambios de conformidad con la política de compatibilidad del sistema operativo que proporciona el fabricante. Además, en cuanto a la aplicación SmartThings o a las funciones que admite la aplicación, la nueva política de actualización de la aplicación en la versión existente del sistema operativo se puede suspender debido a razones de uso o seguridad.
- La aplicación SmartThings está sujeta a cambios sin previo aviso para mejorar la facilidad de uso o el rendimiento. Como la versión del sistema operativo del teléfono móvil se actualiza cada año, SmartThings también se actualiza continuamente de acuerdo con el último sistema operativo. Si tiene alguna pregunta sobre los elementos mencionados anteriormente, póngase en contacto con nosotros en st.service@samsung.com
- Entre los sistemas de cifrado recomendados se incluyen WPA/TKIP y WPA2/AES. El resto de protocolos de autenticación wifi no estándares o más recientes no son compatibles.
- Las redes inalámbricas pueden resultar afectadas por los entornos de comunicación inalámbrica que las rodean.
- Si su proveedor de servicios de Internet ha registrado la dirección MAC de su PC o módem para identificación, su Samsung Smart Refrigerator puede fallar al conectarse a Internet. En este caso, póngase en contacto con su proveedor de servicios de Internet para recibir asistencia técnica.
- La configuración de firewall de su sistema de red puede impedir que su Samsung Smart Refrigerator acceda a Internet. Póngase en contacto con su proveedor de servicios de Internet para recibir asistencia técnica. Si el síntoma continúa, póngase en contacto con un centro de servicio local de Samsung o con el establecimiento de compra.
- Para configurar los ajustes del punto de acceso (PA) inalámbrico, consulte el manual de usuario del enrutador de PA.
- Los Samsung Smart Refrigerators admiten tanto los protocolos de wifi 2.4 GHz con IEEE 802.11 b/g/n como Soft-AP. (Se recomienda IEEE 802.11 n).
- Es posible que los enrutadores inalámbricos wifi no autorizados no logren conectarse a los frigoríficos inteligentes Samsung correspondientes.

Cuenta de Samsung

Para usar la aplicación, se le pedirá que registre su cuenta de Samsung. Si no tiene una cuenta de Samsung, siga las instrucciones en pantalla de la aplicación para crear una cuenta de Samsung gratuita.

Introducción

Encienda el dispositivo que desea conectar, abra la aplicación SmartThings en su teléfono y siga las instrucciones que se indican a continuación.

Si aparece un mensaje de nuevo dispositivo encontrado, pulse **ADD NOW (AÑADIR AHORA)**.

Si no aparece ningún mensaje, pulse el botón + y seleccione el dispositivo que desea conectar de la lista de dispositivos disponibles.

Si su dispositivo no aparece en la lista de dispositivos disponibles, pulse **Supported Devices (Dispositivos admitidos)**, seleccione el tipo de dispositivo (Frigorífico) y seleccione el modelo de dispositivo específico. Siga las instrucciones de la aplicación para configurar su dispositivo. Una vez finalizada la configuración, su frigorífico aparecerá como una «tarjeta» en su pantalla de **Devices (Dispositivos)**.

Control integrado

Puede controlar y supervisar su frigorífico desde casa y desde fuera de ella.

- Pulse el icono de frigorífico en el Panel de SmartThings o el icono de Dispositivos en la parte inferior del Panel y, a continuación, pulse la «tarjeta» del frigorífico para abrir la página del Frigorífico.
- Revise el estado de funcionamiento o las notificaciones relativas a su frigorífico y, a continuación, cambie las opciones o los ajustes si es necesario.

NOTA

Es posible que algunas opciones o ajustes del frigorífico no estén disponibles para el control remoto.

Funcionamiento

Categoría	Elemento	Descripción
Supervisión y control	Temperatura del frigorífico	Muestra el ajuste de temperatura actual del frigorífico.
	Temperatura del congelador	Muestra el ajuste de temperatura actual del congelador.
	Enfriamiento rápido	Puede activar o desactivar el enfriamiento rápido y comprobar los ajustes actuales.
	Selección de enfriamiento+ * / Zona de selección de frío *	Puede ajustar y monitorizar el modo deseado de Cool Select.
Alarmas	Temperatura excepcionalmente alta	Esta alarma se activa cuando las temperaturas del frigorífico son excepcionalmente elevadas.
	Puerta abierta	Esta alarma se activa si la puerta del frigorífico o del congelador queda abierta durante más de 2 minutos.

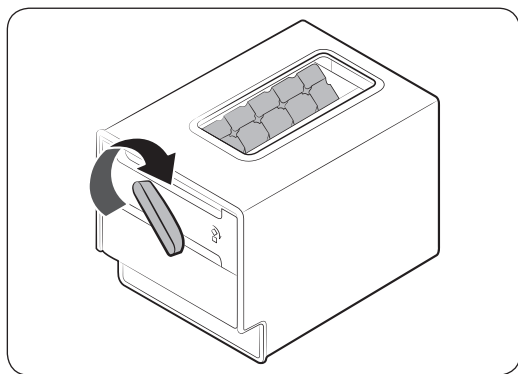
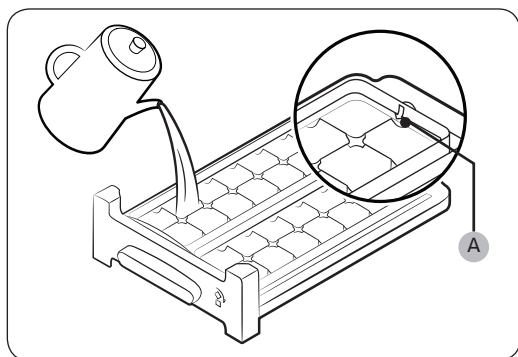
* solo modelos aplicables

Características especiales

La imagen real y las funciones especiales de su frigorífico pueden variar en función del modelo y del país.

Fabricación de hielo (solo modelos aplicables)

Máquina de hielo de palanca



1. Abra la puerta del congelador y deslice la bandeja de hielo hacia afuera.
2. Llene de agua la bandeja hasta el nivel máximo (A) marcado en la parte interna posterior de la bandeja.
3. Vuelva a colocar la bandeja en su lugar.

NOTA

El tiempo de fabricación del hielo depende de la temperatura configurada.

NOTA

- Asegúrese de que el depósito de cubitos queda bien colocado debajo de la bandeja de hielo.
- Para dispensar los cubitos, gire la manija del depósito hacia la derecha para vaciar la mitad de los cubitos en el depósito. A continuación, gírela hacia la izquierda para vaciar la otra mitad.
- Extraiga el depósito girándolo levemente y tirando hacia el frente.

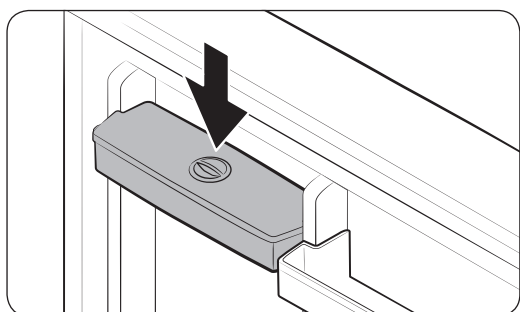
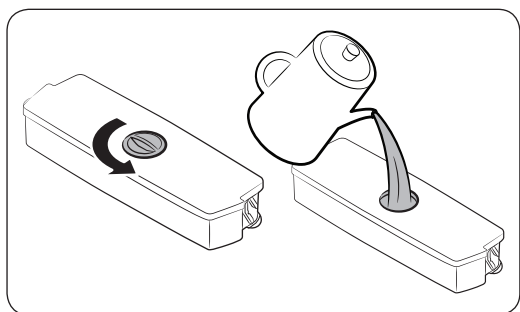
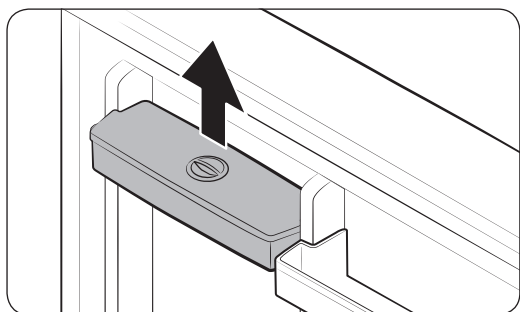
Funcionamiento

Dispensador de agua

Con el dispensador puede obtener agua sin necesidad de abrir la puerta del frigorífico. El depósito de agua debe llenarse con agua potable antes de usarlo.

Para llenar el depósito con agua potable

Abra la puerta y localice el depósito de agua que está en la zona de los estantes de la puerta.



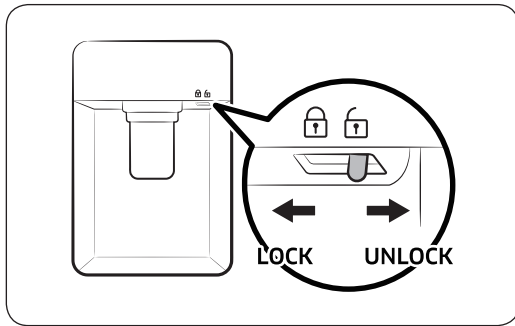
1. Sujete las asas laterales del depósito de agua y levántelo para extraerlo.

2. Llene el depósito de agua con 2,8 litros como máximo de agua potable. Puede retirar la tapa superior o la cubierta y verter el agua.

NOTA

Antes del primer uso, limpie el interior del depósito de agua.

3. Vuelva a colocar el depósito de agua y cierre la puerta. Asegúrese de que la salida de agua del depósito queda delante.



4. Ponga un vaso debajo de la salida de agua del dispensador y presione suavemente la palanca de este para obtener agua. Asegúrese de que el dispensador de agua está desbloqueado.

PRECAUCIÓN

- El dispensador de agua está diseñado para proporcionar agua potable. Llene el depósito únicamente con agua potable. No lo llene con otros líquidos.
- No llene excesivamente el depósito para evitar que desborde.
- No trate de llenar el depósito de agua sin extraerlo de la puerta.
- Asegúrese de que el depósito de agua está bien asentado.
- No utilice el frigorífico sin el depósito de agua. Podría disminuir el rendimiento y la eficiencia.
- Para evitar que el agua se derrame, asegúrese de alinear el vaso con la palanca del dispensador.

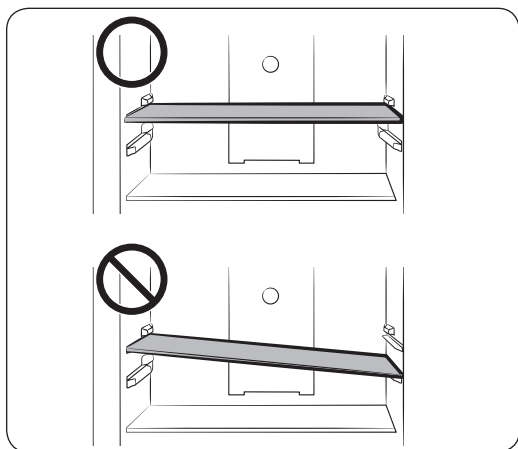
NOTA

Si necesita disponer de más espacio, puede utilizar el depósito de agua para guardar alimentos. En tal caso, retire la tapa del depósito.

Mantenimiento

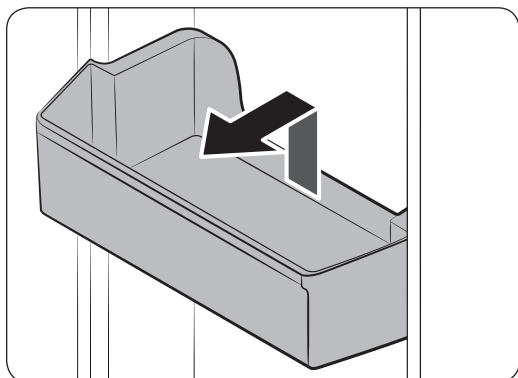
Manipulación y cuidado

Estantes del congelador y del frigorífico



- Antes de retirar un estante, abra completamente la puerta. Tire del estante hacia adelante, levántelo y extráigalo.
- No coloque el estante en posición inclinada.

Compartimentos de la puerta



Levántela ligeramente y extraiga la balda de la puerta.

⚠ PRECAUCIÓN

Para prevenir accidentes, vacíe las baldas de la puerta antes de retirarlas.

Limpieza

Utilice regularmente un paño seco para limpiar cualquier sustancia extraña, como polvo o agua, de los terminales del enchufe y los puntos de contacto.

1. Desenchufe el cable de alimentación del frigorífico.
2. Utilice un paño suave y sin pelusa o una toalla de papel humedecidos para limpiar el interior y el exterior del frigorífico.
3. A continuación, seque bien con un paño o una toalla de papel secos.
4. Enchufe el cable de alimentación para encender el frigorífico.

NOTA

Si ha retirado alguna de las piezas extraíbles, como los estantes, para limpiarlas, consulte la exposición general de la sección de piezas incluidas para asegurarse de que las ha colocado correctamente.

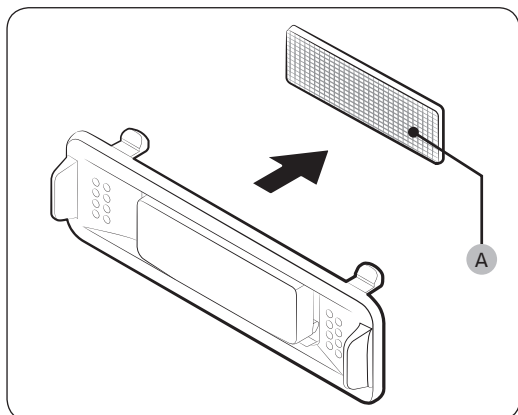
ADVERTENCIA

- No limpie con benceno, disolvente ni detergentes para hogar/automóvil como Clorox™. Podría dañar la superficie del frigorífico y provocar un incendio.
- No rocíe agua sobre el frigorífico. Se podría producir una descarga eléctrica.
- No introduzca los dedos ni otros objetos en el orificio del dispensador.

Mantenimiento

Recambio

Filtro desodorizante (solo modelos aplicables)



Sujetando los lados superior e inferior de la carcasa del filtro, destrábela para ver el **filtro desodorizante (A)**. Reemplace el filtro y vuelva a colocar la carcasa.

Lámparas y filtro antibacterias

Las lámparas y el filtro antibacterias no son piezas que pueda reemplazar el usuario. No intente sustituir las usted mismo. Para reemplazarlas, póngase en contacto con un centro local de servicio técnico de Samsung.

Lámpara (fuente de luz)

Este producto contiene una fuente luminosa de la clase de eficiencia energética <G>.

La(s) lámpara(s) o los auxiliares eléctricos no son reparables por parte del usuario. Para sustituir la(s) lámpara(s) o los auxiliares eléctricos del producto, póngase en contacto con un centro local de servicio técnico de Samsung.

Para obtener instrucciones detalladas sobre la sustitución de la(s) lámpara(s) o los auxiliares eléctricos de su producto, visite el sitio web de Samsung (<http://www.samsung.com>), vaya a Support > Support home (Soporte > Página de inicio de soporte), y luego introduzca el nombre del modelo.

Para obtener instrucciones detalladas sobre el desmantelamiento de la(s) lámpara(s) o los auxiliares eléctricos, simplemente siga las instrucciones de sustitución, tal y como se ha descrito anteriormente.

Solución de problemas

Si detecta una situación anormal con el frigorífico, en primer lugar consulte la siguiente tabla y siga las sugerencias.

General

Síntoma	Acción
No funciona o no enfría.	<ul style="list-style-type: none">• Asegúrese de que el cable de alimentación está conectado correctamente.• Asegúrese de que la temperatura está configurada correctamente.• Asegúrese de mantener el frigorífico alejado de la luz directa del sol y de las fuentes de calor. De no hacerlo, puede verse afectada la capacidad de enfriamiento.• Asegúrese de que hay espacio suficiente entre el frigorífico y las paredes posterior y laterales o el armario. De no hacerlo, puede verse afectada la capacidad de enfriamiento.• Demasiados alimentos pueden bloquear la ventilación del frigorífico. Para mantener el funcionamiento normal del frigorífico, no guarde demasiados alimentos en su interior.
Los alimentos del frigorífico se congelan.	<ul style="list-style-type: none">• Revise si la temperatura está ajustada a la temperatura más baja. Si no es así, cambie el nivel de la temperatura a más frío u óptimo.• Esto ocurre cuando la temperatura ambiental es demasiado baja. Configure una temperatura más alta.• Compruebe si los alimentos con altos contenidos de agua se encuentran en la zona más fría del frigorífico o cerca de la salida de ventilación. Si es así, coloque estos alimentos en otros estantes del frigorífico.
Emite ruidos.	<ul style="list-style-type: none">• Asegúrese de que el frigorífico está instalado sobre una superficie estable y plana.• Asegúrese de que hay espacio suficiente entre el frigorífico y las paredes posterior y laterales o el armario.• Asegúrese de evitar que entren impurezas u objetos extraños dentro o debajo del frigorífico.• El frigorífico puede emitir una especie de "tic" desde el interior, lo que ocurre cuando las distintas piezas extraíbles se contraen o se expanden. No se trata de un fallo del sistema.
Las esquinas frontales y los laterales se calientan y forman condensación.	<ul style="list-style-type: none">• Para evitar que se genere condensación, el frigorífico cuenta con tuberías a prueba de calor en las esquinas frontales. Si la temperatura ambiental aumenta, es posible que este sistema no funcione correctamente. No se trata de un fallo del sistema.• Puede generarse condensación en la superficie externa del frigorífico si la humedad del aire entra en contacto con la superficie fría del aparato.

Solución de problemas

Síntoma	Acción
La máquina de hielo no produce hielo.	<ul style="list-style-type: none">• Debe esperar 12 horas para que el frigorífico produzca hielo.• Asegúrese de que la máquina de hielo no se detiene mientras produce hielo.• Asegúrese de que el congelador está configurado por debajo de 0 °C (o -5 °C en ambientes cálidos).• Asegúrese de que el depósito de agua está lleno de agua.
El dispensador de agua no funciona.	<ul style="list-style-type: none">• Revise si el depósito de agua está congelado. Si es así, seleccione una temperatura de frigorífico más alta.• Asegúrese de que el depósito de agua está lleno de agua.• Asegúrese de que el depósito de agua está instalado correctamente.• Asegúrese de que el filtro de agua está instalado correctamente.
Emite un ruido de borboteo.	<ul style="list-style-type: none">• Este ruido es normal, y lo hace el frigorífico cuando está enfriando.
Salen malos olores del interior del frigorífico.	<ul style="list-style-type: none">• Revise si hay algún alimento en mal estado. Se recomienda limpiar el frigorífico periódicamente y retirar alimentos en mal estado o sospechosos.• Asegúrese de que los alimentos que despiden un olor fuerte están envueltos herméticamente.
Se forma escarcha en las paredes interiores.	<ul style="list-style-type: none">• Asegúrese de que no hay alimentos bloqueando las salidas de ventilación del frigorífico. También es importante disponer los alimentos de manera uniforme para facilitar la ventilación.• Asegúrese de que la puerta está bien cerrada.
Se forma condensación en las paredes interiores o alrededor de las verduras.	<ul style="list-style-type: none">• Esto ocurre cuando se guardan alimentos con alto contenido de agua sin cubrirlos o cuando se ha dejado la puerta abierta durante un rato.• Asegúrese de cubrir los alimentos o de ponerlos en recipientes cerrados.

SmartThings

Síntoma	Acción
No se encuentra «SmartThings» en el mercado de aplicaciones.	<ul style="list-style-type: none">La versión de software compatible de la aplicación SmartThings está sujeta a cambios de conformidad con la política de compatibilidad del sistema operativo que proporciona el fabricante. Además, en cuanto a la aplicación SmartThings o a las funciones que admite la aplicación, la nueva política de actualización de la aplicación en la versión existente del sistema operativo se puede suspender debido a razones de uso o seguridad.
La aplicación SmartThings no funciona.	<ul style="list-style-type: none">La aplicación SmartThings solo está disponible para los modelos aplicables.La antigua aplicación Samsung Smart Refrigerator no se puede conectar con los modelos Samsung Smart Home.
La aplicación SmartThings está instalada, pero no está conectada a mi frigorífico.	<ul style="list-style-type: none">Para usar la aplicación, debe iniciar sesión en su cuenta de Samsung.Asegúrese de que el enrutador funciona adecuadamente.Si el icono de la wifi en la pantalla del frigorífico está apagado, esto indica que todavía no se ha establecido ninguna conexión de red. En este caso, utilice la aplicación SmartThings para conectar y registrar su frigorífico al punto de acceso (PA) de su hogar.
No puedo iniciar sesión en la aplicación.	<ul style="list-style-type: none">Para usar la aplicación, debe iniciar sesión en su cuenta de Samsung.Si no tiene una cuenta de Samsung, siga las instrucciones en pantalla de la aplicación para crear una.
Se muestra un mensaje de error cuando intento registrar el frigorífico.	<ul style="list-style-type: none">La Easy Connection puede fallar debido a la distancia con el punto de acceso (PA) o por interferencias eléctricas del entorno. Espere un momento y vuelva a intentarlo.
La aplicación SmartThings se ha conectado correctamente al frigorífico, pero no funciona.	<ul style="list-style-type: none">Salga y reinicie la aplicación SmartThings, o desconecte y vuelva a conectar el enrutador.Desenchufe el frigorífico y vuelva a enchufarlo al cabo de 1 minuto.
El icono de la wifi parpadea. (📶)	<ul style="list-style-type: none">Conecte su frigorífico con la aplicación SmartThings antes de utilizar. Cuando la conexión se establece correctamente, el indicador para de parpadear.<ul style="list-style-type: none">Si no logra establecer la conexión o si no desea usar la aplicación, mantenga pulsado el botón Fridge (Frigorífico) durante 10 segundos. El indicador deja de parpadear.

Apéndice

Instrucciones de seguridad

- Para un uso más eficiente de la energía, mantenga todos los accesorios internos, como cestas, cajones, estantes y bandejas de cubitos de hielo, en la posición en la que los entrega el fabricante.
- Este aparato frigorífico no está diseñado para utilizarse como aparato empotrado.

Instrucciones de instalación

Para los aparatos frigoríficos con clase climática

Según la clase climática, este aparato frigorífico está diseñado para utilizarse en el rango de temperaturas ambiente como se especifica en la tabla siguiente.

La clase climática se encuentra en la placa de características. Es posible que el producto no funcione correctamente a temperaturas fuera del rango específico.

Puede encontrar la clase climática en la etiqueta del interior de su frigorífico

Rango de temperatura efectiva

Este frigorífico está diseñado para funcionar normalmente en el rango de temperatura especificado por su categoría de calificación.

Clase	Símbolo	Rango de temperatura ambiente (°C)	
		IEC 62552 (ISO 15502)	ISO 8561
Templado prolongado	SN	+10 a +32	+10 a +32
Templado	N	+16 a +32	+16 a +32
Subtropical	ST	+16 a +38	+18 a +38
Tropical	T	+16 a +43	+18 a +43

NOTA

La capacidad de enfriamiento y el consumo de energía del frigorífico pueden verse afectados por la temperatura ambiente, la frecuencia con que se abre la puerta y la ubicación del electrodoméstico. Se recomienda ajustar las configuraciones de la temperatura según sea apropiado.

Instrucciones sobre la temperatura

Temperatura recomendada

Ajuste perfecto de temperatura para el almacenamiento de alimentos:

- Frigorífico: 3 °C
- Congelador: -19 °C
- Frigorífico del Conversión del congelador: 3 °C
- Modelos de pomos: Ajuste perfecto de temperatura para el almacenamiento de alimentos
- Frigorífico: 3 pasos (3 °C)/Congelador: 3 pasos (-19 °C)

NOTA

El ajuste de temperatura óptimo de cada compartimento depende de la temperatura ambiente. Por encima de la temperatura ambiente se basa en la temperatura ambiente de 25 °C.

Enfriamiento rápido

Enfriamiento rápido acelera el proceso de enfriamiento con la velocidad máxima del ventilador. El frigorífico funciona a la máxima velocidad durante dos horas y media y luego vuelve a la temperatura anterior.

Congelación rápida

Congelación rápida acelera el proceso de congelación a su máxima velocidad. El congelador funciona a la máxima velocidad durante 50 horas y luego vuelve a la temperatura anterior. Para congelar grandes cantidades de alimentos, active Congelación rápida al menos 20 horas antes de guardar alimentos en el congelador.

NOTA

El uso de esta función aumenta el consumo energético del frigorífico. No se olvide de desactivarla cuando no la utilice y restablezca el ajuste de temperatura original del congelador.

Cómo almacenar para una mejor conservación (solo modelos aplicables)

Tape los alimentos para que retengan la humedad y para evitar que adquieran olores de otros alimentos. Los grandes recipientes de comida como sopas o guisos deben dividirse en porciones menores y colocarse en recipientes menos profundos antes de refrigerarse. Los cortes grandes de carne o las aves enteras deben dividirse en trozos más pequeños y colocarse en recipientes menos profundos antes de refrigerarse.

Apéndice

Colocación de los alimentos

Estantes	Los estantes deben poder ajustarse para almacenar diferentes envases.
Compartimento especializado (solo modelos aplicables)	Los cajones sellados son el ambiente perfecto para almacenar frutas y verduras. Las verduras necesitan condiciones de mayor humedad, mientras que las frutas necesitan condiciones de menor humedad. Los cajones de verduras están equipados con dispositivos de control que controlan el nivel de humedad. (*En función del modelo y opciones) Un cajón para carne con temperatura regulable maximiza el tiempo de almacenamiento de carnes y quesos.
Almacenamiento en la puerta	No almacene alimentos perecederos en la puerta. Los huevos deben almacenarse en el cartón o en una estante. La temperatura en los compartimentos de almacenamiento de la puerta fluctúa más que la temperatura del armario. Mantenga la puerta cerrada el mayor tiempo posible.
Compartimento del congelador	En el compartimento del congelador puede almacenar comida congelada, hacer cubos de hielo y congelar comida fresca.

NOTA

Congele únicamente alimentos frescos y en buen estado. Mantenga separados los alimentos que vaya a congelar y los ya congelados. Para que los alimentos no pierdan su aroma ni se sequen, colóquelos en recipientes herméticos.

Cuadro de almacenamiento del frigorífico y el congelador

La duración en que los alimentos permanecen frescos depende de la temperatura y de la exposición a la humedad. Puesto que las fechas en los productos no son una guía para su consumo seguro, consulte este cuadro y siga estos consejos.

Productos lácteos

Producto	Frigorífico	Congelador
Leche	1 semana	1 mes
Mantequilla	2 semanas	12 meses
Helado	-	2-3 semanas
Queso natural	1 mes	4-6 meses
Queso para untar	2 semanas	No recomendado
Yogur	1 mes	-

Carne

Producto	Frigorífico	Congelador
Chuletas, filetes y asados frescos	3-4 días	2-3 meses
Carne picada fresca y carne para guisar	1-2 días	3-4 meses
Panceta	7 días	1 mes
Salchichas, carne cruda de cerdo, ternera, pavo	1-2 días	1-2 meses

Aves / Huevos

Producto	Frigorífico	Congelador
Aves frescas	2 días	6-8 meses
Ensalada de pollo	1 día	-
Huevos, frescos en estante	2-4 semanas	No recomendado

Pescado / Marisco

Producto	Frigorífico	Congelador
Pescado fresco	1-2 días	3-6 meses
Pescado cocinado	3-4 días	1 mes
Ensalada de pescado	1 día	No recomendado
Pescado seco o en escabeche	3-4 semanas	-

Fruta

Producto	Frigorífico	Congelador
Manzanas	1 mes	-
Melocotones	2-3 semanas	-
Piña	1 semana	-
Otra fruta fresca	3-5 días	9-12 meses

Apéndice

Verduras

Producto	Frigorífico	Congelador
Espárragos	2-3 días	-
Brócoli, coles de Bruselas, guisantes, setas	3-5 días	-
Repollo, coliflor, apio, pepino, lechuga	1 semana	-
Zanahoria, remolacha, rábano	2 semanas	-

Información para el modelo y el pedido de piezas de repuesto

Información del modelo

Para acceder al registro EPREL del modelo:

1. Vaya a <https://eprel.ec.europa.eu>
2. Obtenga el identificador del modelo de la etiqueta energética del producto y escríbalo en el cuadro de búsqueda
3. Se muestra la información de la etiqueta energética del modelo

Información sobre las piezas

- El período mínimo durante el cual se dispone de las piezas de repuesto necesarias para la reparación del aparato es
 - 7 años para termostatos, sensores de temperatura, placas de circuitos impresos y fuentes de luz, tiradores de puertas, bisagras de puertas, bandejas, cestas (cajas o cajones)
 - 10 años para juntas de puertas
- La duración mínima de la garantía del aparato frigorífico ofrecida por el fabricante es de 24 meses.
- Información pertinente para solicitar piezas de repuesto, directamente o a través de otros canales proporcionados por el fabricante, el importador o el representante autorizado.
- Puede encontrar información sobre reparación profesional en <http://samsung.com/support>. Puede encontrar el manual de mantenimiento del usuario en <http://samsung.com/support>.

Open Source Announcement

The software included in this product contains open source software.

The following URL http://opensource.samsung.com/opensource/SMART_TP2_0/seq/0 leads to open source license information as related to this product.



Notas

Notas

NOTA

Por la presente, Samsung declara que este equipo de radio cumple con la Directiva 2014/53/UE y con los requisitos legales pertinentes en el Reino Unido.

El texto completo de la declaración de conformidad de la Unión Europea y de la declaración de conformidad del Reino Unido está disponible en la siguiente dirección de Internet: La declaración de conformidad oficial puede encontrarse en <http://www.samsung.com>; vaya a Soporte > Buscar soporte del producto, e introduzca el nombre del modelo.

	Rango de frecuencia	Potencia del transmisor (máx.)
Wifi	2412 - 2472 MHz	20 dBm
Bluetooth	2402 - 2480 MHz	20 dBm

Contacto con SAMSUNG WORLD WIDE

Si tiene preguntas o comentarios relacionados con los productos Samsung, póngase en contacto con el centro de atención al cliente de SAMSUNG.

País	Centro de contacto	Sitio web
CYPRUS	8009 4000 only from landline, toll free	www.samsung.com/gr/support
GREECE	80111-SAMSUNG (80111 726 7864) only from land line (+30) 210 6897691 from mobile and land line	
ITALIA	800-SAMSUNG (800.7267864)	www.samsung.com/it/support
PORTUGAL	210 608 098 Chamada para a rede fixa nacional Dias úteis das 9h às 20h	www.samsung.com/pt/support
SPAIN	91 175 00 15	www.samsung.com/es/support



DA68-03723H-00

Frigorífico

Manual do utilizador

RT58*/RT62*

Aparelho não encastrável

SAMSUNG

Índice

Informações de segurança	4
Símbolos e precauções de segurança importantes:	6
Sinais de aviso importantes relativamente ao transporte e localização	6
Avisos muito importantes relativamente à instalação	7
Chamadas de atenção relativamente à instalação	10
Avisos muito importantes relativamente à utilização	10
Chamadas de atenção relativamente à utilização	15
Chamadas de atenção relativamente à limpeza	17
Avisos muito importantes relativamente à eliminação	19
Sugestões adicionais para uma utilização adequada	20
Sugestões de poupança de energia	21
Este aparelho de uso doméstico destina-se também a ser utilizado em aplicações semelhantes como:	21
Instruções sobre REEE	22
Instalação	23
Visão geral do frigorífico	23
Instalação passo a passo	25
Operações	29
Painel principal	29
SmartThings	36
Funções especiais	39
Manutenção	42
Manuseamento e cuidado	42
Limpeza	43
Substituição	44
Resolução de problemas	45
Geral	45
SmartThings	47

Apêndice	48
Instrução de segurança	48
Instrução de instalação	48
Instrução de temperatura	49
Informações sobre o modelo e a encomenda de peças de substituição	52
Open Source Announcement	53

Informações de segurança

- Antes de utilizar o seu novo frigorífico Samsung, leia atentamente este manual para saber como utilizar de forma segura e eficaz as funcionalidades e funções deste novo aparelho.
- Este aparelho não se destina a ser utilizado por pessoas (incluindo crianças) com capacidades físicas, sensoriais ou mentais reduzidas, nem por pessoas com falta de experiência e conhecimentos, exceto se forem supervisionadas ou lhes tiverem sido dadas instruções sobre a utilização do aparelho por uma pessoa responsável pela sua segurança.
- Este aparelho pode ser utilizado por crianças com idade igual ou superior a oito anos, por pessoas com capacidades mentais, sensoriais ou físicas reduzidas ou por pessoas com falta de experiência e conhecimentos de utilização desde que sejam supervisionadas ou tenham recebido instruções relativas à utilização segura do aparelho e que percebam os eventuais riscos envolvidos. As crianças não devem brincar com o aparelho. A limpeza e manutenção necessárias não devem ser feitas por crianças sem supervisão de um adulto responsável.
- Os avisos e instruções de segurança importantes deste manual não abordam todas as condições e situações que poderão ocorrer. É da sua responsabilidade ter bom senso, atenção e cuidado durante a instalação, manutenção e utilização do aparelho.
- Uma vez que as instruções de funcionamento que se seguem abrangem vários modelos, as características do seu frigorífico podem diferir ligeiramente das descritas neste manual, não sendo eventualmente aplicáveis todos os sinais de aviso. Caso tenha alguma dúvida ou problema, contacte o centro de assistência mais perto de si ou procure informações e peça ajuda online acedendo a www.samsung.com.
- O gás R-600a ou R-134a é utilizado como refrigerante. Verifique a etiqueta do compressor na parte posterior do aparelho ou a etiqueta de classificação no interior do frigorífico para saber qual o refrigerante utilizado no seu frigorífico. Se este produto contiver gás inflamável (refrigerante R-600a), contacte as autoridades locais para saber como eliminar este produto em segurança.

- Para evitar a formação de uma mistura inflamável de gás e ar, na eventualidade de uma fuga no circuito de refrigeração, o tamanho da divisão onde o aparelho poderá ser instalado depende da quantidade de refrigerante utilizado.
- Nunca ligue um aparelho que aparente estar danificado. Em caso de dúvida, consulte o seu distribuidor. A divisão tem de ter 1 m³ por cada 8 g de refrigerante R-600a no interior do aparelho.
A quantidade de refrigerante neste aparelho está indicada na placa de identificação que se encontra no interior do mesmo.
- Uma fuga do gás refrigerante dos tubos pode fazer com que se inflame ou provocar uma lesão ocular. Se o refrigerante verter do tubo, evite todo o tipo de chamas, afaste todo o tipo de objetos inflamáveis do produto e ventile imediatamente a divisão.
 - Se não o fizer, poderá provocar um incêndio ou uma explosão.
- É perigoso efetuar operações de assistência neste aparelho, se não for um técnico de assistência autorizado.



AVISO: risco de incêndio/materiais inflamáveis

Informações de segurança

Símbolos e precauções de segurança importantes:

AVISO

Perigos ou práticas pouco seguras que podem resultar em ferimentos graves ou morte.

ATENÇÃO

Perigos ou práticas pouco seguras que podem resultar em ferimentos ligeiros ou danos materiais.

Estes sinais de aviso destinam-se a evitar ferimentos em qualquer pessoa.

Respeite-os.

Depois de ler esta secção, guarde-a num local seguro para referência futura.

Sinais de aviso importantes relativamente ao transporte e localização

AVISO

- Quando transportar e instalar o aparelho, deverá ter cuidado para garantir que nenhuma peça do circuito de refrigeração fica danificada.
 - Se houver fugas de refrigerante na tubagem, este poderá entrar em combustão ou provocar danos nos olhos. Se for detetada uma fuga, evite o contacto com chamas ou potenciais fontes de ignição e ventile a divisão na qual se encontra o aparelho durante vários minutos.
 - Este aparelho contém uma pequena quantidade de refrigerante isobutano (R-600a), um gás natural com elevada compatibilidade ambiental, embora seja também combustível. Quando transportar e instalar o aparelho, deverá ter cuidado para garantir que nenhuma peça do circuito de refrigeração fica danificada.

Avisos muito importantes relativamente à instalação

AVISO

- Não instale o frigorífico num local húmido ou num local onde possa ficar em contacto com água.
 - A deterioração do isolamento em componentes elétricos pode provocar choques elétricos ou incêndios.
- Não coloque este frigorífico num local com exposição solar direta ou próximo de fogões, aquecedores ou outros aparelhos que emanem calor.
- Não ligue vários aparelhos à mesma extensão elétrica. O frigorífico deve ser sempre ligado à sua própria tomada elétrica, devendo esta ter uma tensão nominal igual à indicada na placa sinalética do frigorífico.
 - Deste modo, obtém-se o melhor desempenho possível e também se evita a sobrecarga dos circuitos elétricos domésticos, o que pode provocar um incêndio resultante de cabos sobreaquecidos.
- Se a tomada estiver solta, não introduza a ficha.
 - Existe o risco de choque elétrico ou incêndio.
- Não utilize um cabo de alimentação que apresente fissuras ou desgaste na sua extensão ou em qualquer uma das extremidades.
- Não dobre excessivamente o cabo de alimentação nem coloque objetos pesados sobre o mesmo.
- Não puxe nem dobre excessivamente o cabo de alimentação.
- Não torça nem dê nós no cabo de alimentação.
- Não pendure o cabo de alimentação num objeto metálico, não coloque qualquer objeto pesado em cima do cabo de alimentação, não introduza o cabo entre objetos, nem o empurre para o espaço na parte de trás do aparelho.
- Se deslocar o frigorífico, tenha cuidado para não passar por cima do cabo de alimentação nem o danificar.
 - Tal pode resultar num choque elétrico ou num incêndio.

Informações de segurança

- Nunca puxe o cabo de alimentação para desligar o frigorífico. Segure sempre bem a ficha e puxe a direito para a retirar da tomada.
 - Se o cabo estiver danificado, pode provocar um curto-circuito, um incêndio e/ou um choque elétrico.
- Não armazene substâncias explosivas, tais como latas de aerossóis com um propulsor inflamável, neste aparelho.
- Não instale este aparelho perto de um aquecedor ou de materiais inflamáveis.
- Não instale este aparelho num local onde possam ocorrer fugas de gás.
 - Tal pode resultar num choque elétrico ou num incêndio.
- Antes de utilizar o frigorífico, este tem de ser localizado e instalado corretamente de acordo com as instruções do manual.
- Ligue a ficha na posição correta com o cabo pendurado.
 - Se ligar a ficha ao contrário, o cabo pode ficar cortado e provocar um incêndio ou choque elétrico.
- Certifique-se de que a ficha não é esmagada nem danificada pela parte de trás do frigorífico.
- Mantenha os materiais de embalagem fora do alcance das crianças.
 - Existe o risco de morte por asfixia se uma criança colocar os materiais de embalagem na cabeça.
- O aparelho tem de ser posicionado de forma a que a ficha fique acessível após a instalação.
 - Caso contrário, pode provocar um incêndio ou um choque elétrico devido a fuga elétrica.
- Não instale este aparelho num local húmido, gorduroso ou sujo, num local com exposição solar direta, nem em contacto com água (chuva).
 - A deterioração do isolamento dos componentes elétricos pode provocar choques elétricos ou incêndios.
- Se existir algum pó ou água no frigorífico, desligue a ficha e contacte o seu centro de assistência Samsung Electronics.
 - Caso contrário, existe o risco de incêndio.

- Não se coloque em cima do aparelho, nem coloque objetos (tais como roupa, velas acesas, cigarros acesos, pratos, químicos, objetos de metal, etc.) sobre o mesmo.
 - Se o fizer, pode provocar um choque elétrico, um incêndio, outras falhas no produto ou ferimentos.
- Tem de retirar toda a película protetora de plástico antes de ligar o produto.
- As crianças devem ser vigiadas para impedir que brinquem com os anéis de retenção utilizados para o ajuste da porta ou com os grampos do tubo de água.
 - Existe o risco de morte por asfixia se uma criança engolir um anel de retenção ou um grampo do tubo de água. Mantenha os anéis de retenção e os grampos do tubo de água fora do alcance das crianças.
- O frigorífico tem de estar ligado à terra em segurança.
 - Antes de tentar investigar ou reparar qualquer componente do aparelho, certifique-se sempre de que o frigorífico está ligado à terra. As fugas de corrente podem provocar choques elétricos.
- Nunca utilize canos de gás, fios de telefone nem outros potenciais para-raios para a ligação à terra.
 - Tem de efetuar a ligação à terra do frigorífico de modo a evitar fugas de corrente ou choques elétricos provocados pela fuga de corrente do frigorífico.
 - Tal pode resultar em choque elétrico, incêndio, explosão ou danos no produto.
- Ligue a ficha de alimentação firmemente na tomada. Não utilize uma ficha ou um cabo de alimentação danificados ou uma tomada solta.
 - Tal pode resultar num choque elétrico ou num incêndio.
- Se o cabo de alimentação estiver danificado, solicite a sua substituição imediata ao fabricante ou ao respetivo representante da assistência.

Informações de segurança

- O fusível existente no frigorífico tem de ser substituído por um técnico qualificado ou pela empresa de assistência.
 - Caso contrário, pode provocar um choque elétrico ou ferimentos.
- Ao instalar o aparelho, assegure-se de que o cabo de alimentação não está preso nem danificado.
- Não coloque extensões de tomadas múltiplas nem fontes de alimentação portáteis atrás do aparelho.

Chamadas de atenção relativamente à instalação

ATENÇÃO

- Instale o frigorífico num local com espaço suficiente à volta e sobre uma superfície plana.
 - Mantenha o espaço de ventilação do aparelho e o espaço em redor do mesmo desobstruídos.
- Não coloque alimentos no aparelho no espaço de 2 horas após a instalação e a ligação.
- Recomendamos vivamente que solicite a instalação do frigorífico a um técnico qualificado ou a uma empresa de assistência.
 - Caso contrário, pode provocar um choque elétrico, incêndio, explosão, danos no produto ou ferimentos.
- Uma sobrecarga em qualquer uma das portas pode fazer com que o frigorífico caia e provoque ferimentos.

Avisos muito importantes relativamente à utilização

AVISO

- Não introduza a ficha numa tomada com as mãos molhadas.
 - Tal pode provocar um choque elétrico.

- Não coloque objetos sobre o aparelho.
 - Ao abrir ou fechar a porta, os objetos podem cair e provocar ferimentos e/ou danos materiais.
- Não introduza mãos, pés ou objetos metálicos (tais como pauzinhos chineses, etc.) debaixo ou na parte de trás do frigorífico.
 - Tal pode provocar um choque elétrico ou ferimento.
 - As pontas afiadas podem provocar ferimentos.
- Não toque nas paredes interiores do congelador nem nos produtos guardados no mesmo com as mãos molhadas.
 - Pode ficar com queimaduras de frio.
- Não coloque recipientes com água sobre o frigorífico.
 - Se se entornarem, podem provocar um incêndio ou um choque elétrico.
- Não coloque objetos ou substâncias voláteis ou inflamáveis (benzeno, diluente, gás propano, álcool, éter, gás de petróleo liquefeito e outros produtos semelhantes) no frigorífico.
 - Este frigorífico destina-se exclusivamente a armazenar alimentos.
 - Tal pode resultar em incêndio ou explosão.
- As crianças devem ser vigiadas para impedir que brinquem com o aparelho.
 - Mantenha os dedos afastados de zonas onde possa entalá-los. Os espaços entre as portas e o armário são muito pequenos. Tenha cuidado ao abrir as portas na presença de crianças.
- Não deixe que as crianças se pendurem na porta nem nos compartimentos da porta. Se o fizerem, podem ferir-se gravemente.
- Não deixe que as crianças entrem no frigorífico. Podem ficar presas no interior.
- Não coloque as mãos debaixo do aparelho.
 - Extremidades afiadas podem provocar ferimentos.

Informações de segurança

- Não guarde produtos farmacêuticos, materiais científicos ou produtos com requisitos especiais de temperatura no frigorífico.
 - Os produtos que requerem controlos de temperatura rigorosos não devem ser guardados dentro do frigorífico.
- Não coloque nem utilize aparelhos elétricos dentro do frigorífico/congelador, a menos que sejam de um tipo recomendado pelo fabricante.
- Se lhe cheirar a produtos farmacêuticos ou a fumo, desligue imediatamente a ficha e contacte o centro de assistência da Samsung Electronics.
- Se entrar água ou pó para o frigorífico, desligue a ficha de alimentação e contacte o centro de assistência da Samsung Electronics.
 - Caso contrário, existe o risco de incêndio.
- Não deixe que as crianças subam para as gavetas.
 - As gavetas podem partir-se e fazer com que as crianças escorreguem.
- Não deixe as portas do frigorífico abertas se estiver longe do mesmo e não permita que as crianças entrem no frigorífico.
- Não permita que bebés ou crianças entrem na gaveta do frigorífico.
 - Tal poderá provocar ferimentos ou a morte por asfixia, se ficarem presas no interior.
- Não encha demasiado o frigorífico com alimentos.
 - Ao abrir a porta, pode cair um produto e causar ferimentos ou danos materiais.
- Não vaporize materiais voláteis, tais como inseticidas, sobre a superfície do aparelho.
 - Além de serem prejudiciais para os seres humanos, também podem provocar choques elétricos, incêndios ou outras falhas no produto.
- Não utilize nem coloque substâncias sensíveis às temperaturas, tais como sprays ou objetos inflamáveis, gelo seco, medicamentos ou produtos químicos perto ou dentro do frigorífico.

- Não utilize um secador de cabelo para secar o interior do frigorífico. Não coloque uma vela acesa no frigorífico para remover maus odores.
 - Tal pode resultar num choque elétrico ou num incêndio.
- Encha o depósito de água e as cuvetes de gelo apenas com água potável (água mineral ou purificada).
 - Não encha o depósito com chá, sumo ou refrigerantes, pois tal poderá danificar o frigorífico.
- Não se coloque em cima do aparelho, nem coloque objetos (tais como roupa, velas acesas, cigarros acesos, pratos, químicos, objetos de metal, etc.) sobre o mesmo. Se o fizer, pode provocar um choque elétrico, um incêndio, outras falhas no produto ou ferimentos. Não coloque um recipiente cheio de água sobre o aparelho.
 - Se se entornarem, podem provocar um incêndio ou um choque elétrico.
- Não utilize dispositivos mecânicos ou quaisquer outros meios para acelerar o processo de descongelação, que não sejam os recomendados pelo fabricante.
- Não danifique o circuito de refrigeração.
- Nunca olhe diretamente para a lâmpada LED UV por períodos prolongados.
 - Se o fizer, tal poderá resultar em astenopia devido aos raios ultravioletas.
- Não coloque a prateleira do frigorífico ao contrário. O batente da prateleira poderá não funcionar.
 - Tal poderá causar ferimentos decorrentes da queda de uma prateleira de vidro.
- Mantenha os dedos afastados de zonas onde possa entalá-los. Os espaços entre as portas e o armário são muito pequenos. Tenha cuidado ao abrir as portas na presença de crianças.
- Se detetar uma fuga de gás, evite as chamas abertas ou potenciais fontes de ignição e areje a divisão em que o aparelho se encontra, durante vários minutos.
 - Não toque no aparelho nem no cabo de alimentação.
 - Não utilize um ventilador.

Informações de segurança

- Uma faísca pode provocar uma explosão ou um incêndio.
- Utilize apenas lâmpadas LED fornecidas pelo fabricante ou pelo representante da assistência.
- As garrafas devem ser guardadas compactamente de modo a não caírem.
- Este produto destina-se apenas ao armazenamento de alimentos num ambiente doméstico.
- Não tente reparar, desmontar ou modificar o frigorífico sozinho.
 - As alterações não autorizadas poderão originar problemas de segurança. Para revertermos uma alteração não autorizada, cobraremos os custos totais das peças e mão-de-obra.
- Não utilize qualquer fusível (tal como cobre, cabo de aço, etc.) para além de um fusível padrão.
- Se o frigorífico tiver de ser reparado ou reinstalado, contacte o centro de assistência mais próximo.
 - Caso contrário, pode provocar um choque elétrico, incêndio, danos no produto ou ferimentos.
- Se a lâmpada LED interior ou exterior se fundir, contacte o centro de assistência mais próximo.
- Se o frigorífico começar a deitar fumo ou se sentir um cheiro a queimado, desligue o frigorífico imediatamente e contacte o centro de assistência da Samsung Electronics.
 - Caso contrário, pode provocar um choque elétrico ou um incêndio.
- Desligue a ficha da tomada antes de substituir as lâmpadas interiores do frigorífico.
 - Caso contrário, existe o risco de choque elétrico.
- Se se deparar com alguma dificuldade no processo de substituição de uma lâmpada não LED, contacte um centro de assistência da Samsung Electronics.
- Se o produto estiver equipado com lâmpadas LED, não desmonte as proteções das lâmpadas nem substitua as lâmpadas LED sem assistência.
 - Contacte um centro de assistência técnica da Samsung.

-
- Ligue a ficha de alimentação firmemente na tomada.
 - Não utilize uma ficha ou um cabo de alimentação danificados ou uma tomada solta.
 - Tal pode resultar num choque elétrico ou num incêndio.

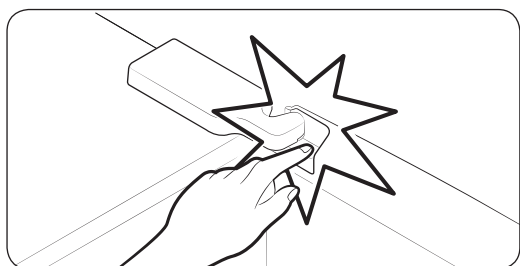
Chamadas de atenção relativamente à utilização

ATENÇÃO

- Não volte a congelar alimentos que tenham descongelado completamente. Não coloque bebidas gaseificadas no compartimento do congelador. Não coloque garrafas ou recipientes de vidro no congelador.
 - Quando o conteúdo congela, o vidro pode partir-se e provocar ferimentos.
- Utilize apenas o módulo de produção de gelo fornecido com o frigorífico.
- Para obter o melhor desempenho possível do aparelho:
 - Não coloque os alimentos muito perto das aberturas de ventilação na parte de trás do frigorífico, dado que podem obstruir a circulação de ar no compartimento do frigorífico.
 - Acondicione muito bem os alimentos, embrulhando-os ou colocando-os em recipientes hermeticamente fechados, antes de os colocar no frigorífico.
 - Não coloque garrafas de vidro nem bebidas com gás no congelador. Podem congelar e partir-se. Os recipientes de bebidas partidos podem provocar ferimentos.
 - Respeite os tempos máximos de conservação e os prazos de validade dos alimentos congelados.
- Não coloque vidro, garrafas ou bebidas com gás no congelador.
 - O recipiente pode congelar e partir, o que pode provocar ferimentos.
- Não coloque bebidas gaseificadas no compartimento do congelador. Não coloque garrafas ou recipientes de vidro no congelador.
 - Quando o conteúdo congela, o vidro pode partir-se e provocar ferimentos e danos materiais.

Informações de segurança

- Garantia de assistência e alterações.
 - Quaisquer alterações efetuadas por terceiros a este produto final não serão cobertas pelo serviço de garantia da Samsung. Da mesma forma, a Samsung não será responsável por problemas de segurança resultantes de alterações feitas por terceiros.
- Não bloqueie as aberturas de ventilação no interior do frigorífico.
 - Se as aberturas de ventilação estiverem bloqueadas (especialmente se for com um saco de plástico), o frigorífico pode refrigerar em excesso. Se o período de refrigeração for prolongado, o filtro de água pode romper e provocar uma fuga de água.
- Utilize apenas o módulo de produção de gelo fornecido com o frigorífico.
- Limpe o excesso de humidade do interior e deixe as portas abertas.
 - Caso contrário, podem gerar-se odores e bolor.
- Se o frigorífico estiver desligado da fonte de alimentação, deve aguardar, no mínimo, cinco minutos antes de ligá-lo novamente.
- Se o frigorífico ficar molhado com água, desligue o cabo de alimentação da tomada e contacte o centro de assistência da Samsung Electronics.
- Não aplique pressão ou força excessiva nas superfícies de vidro.
 - Vidros partidos poderão resultar em ferimentos e/ou danos materiais.
- Encha o depósito de água e as cuvetes de gelo apenas com água potável (água da torneira, mineral ou purificada).
 - Não encha o depósito com chá ou bebidas desportivas. Tal poderá danificar o frigorífico.



- Tenha cuidado para não entalar os dedos.

- As lâmpadas do congelador e do frigorífico podem desligar-se se as portas do congelador e do frigorífico forem deixadas abertas por 2 segundos ou mais.
 - As lâmpadas voltarão a acender-se quando as portas se fecharem e abrirem novamente.
- Se o frigorífico ficar cheio de água, contacte o centro de assistência mais próximo.
 - Existe o risco de choque elétrico ou de incêndio.
- Não guarde óleo vegetal nos compartimentos da porta do frigorífico. O óleo pode solidificar, tornando-o desagradável ao paladar e difícil de usar. Além disso, um recipiente aberto pode derramar e o óleo derramado pode fazer com que o compartimento da porta rache. Depois de abrir um recipiente de óleo, o ideal será guardar o recipiente num local fresco e ao abrigo da luz, como um armário ou despensa.
 - Exemplos de óleo vegetal: azeite, óleo de milho, óleo de semente de uva, etc.

Chamadas de atenção relativamente à limpeza

ATENÇÃO

- Não pulverize água diretamente sobre o interior ou exterior do frigorífico.
 - Existe o risco de incêndio ou choque elétrico.
- Não utilize um secador de cabelo para secar o interior do frigorífico.
- Não coloque velas acesas no interior do frigorífico para remover maus cheiros.
 - Tal pode resultar num choque elétrico ou num incêndio.
- Não pulverize produtos de limpeza diretamente sobre o visor.
 - As letras impressas no visor podem desaparecer.
- Se uma substância estranha, tal como água, entrar para o aparelho, desligue a ficha e contacte o centro de assistência mais próximo.
 - Se não o fizer, pode provocar um incêndio ou um choque elétrico.

Informações de segurança

- Utilize um pano limpo e seco para remover quaisquer substâncias estranhas ou pó dos pinos da ficha. Não utilize um pano molhado ou húmido para limpar a ficha.
 - Se o fizer, existe o risco de incêndio ou choque elétrico.
- Não limpe o aparelho pulverizando-o diretamente com água.
- Não utilize benzeno, diluente, Clorox™ nem cloreto para a limpeza.
 - Podem danificar a superfície do aparelho e provocar um incêndio.
- Nunca coloque os dedos nem outros objetos no orifício do dispensador.
 - Tal pode provocar ferimentos ou danos materiais.
- Antes de limpar ou efetuar a manutenção, desligue o aparelho da tomada.
 - Se não o fizer, pode provocar um incêndio ou um choque elétrico.
- Utilize uma esponja ou um pano macio limpo e um detergente suave e água morna para limpar o frigorífico.
- Não utilize produtos de limpeza abrasivos ou agressivos, tais como limpavidros, produtos de limpeza abrasivos, fluidos inflamáveis, ácido muriático, ceras de limpeza, detergentes concentrados, lixívia ou produtos de limpeza que contenham produtos petrolíferos nas superfícies exteriores (portas e armário), peças de plástico, portas e revestimentos interiores e juntas.
 - Estes produtos podem riscar ou danificar o material.
- Não limpe prateleiras ou tampas de vidro com água morna quando estas estão frias. As prateleiras e tampas de vidro podem partir-se se forem expostas a mudanças súbitas de temperatura ou impactos, como choques ou quedas.

Avisos muito importantes relativamente à eliminação

AVISO

- Elimine o material de embalagem deste produto de uma forma não prejudicial para o ambiente.
- Certifique-se de que nenhum dos tubos existentes na parte de trás do frigorífico está danificado antes da eliminação.
- O gás R-600a ou R-134a é utilizado como refrigerante. Verifique a etiqueta do compressor na parte posterior do aparelho ou a etiqueta de classificação no interior do frigorífico para saber qual o refrigerante utilizado no seu frigorífico. Se este frigorífico contiver gás inflamável (refrigerante R-600a), contacte as autoridades locais para saber como eliminar este produto em segurança.
- Ao eliminar este frigorífico, retire a porta/as vedações da porta e o fecho de segurança, para que crianças pequenas ou animais não corram o risco de ficar presos no interior. As crianças devem ser vigiadas para impedir que brinquem com o aparelho. Caso fique presa no interior, uma criança pode magoar-se ou sufocar até à morte.
 - Caso fique presa no interior, uma criança pode magoar-se e sufocar até à morte.
- O ciclopentano é utilizado no isolamento. Os gases existentes no material de isolamento requerem um procedimento de eliminação especial. Contacte as autoridades locais relativamente à eliminação não prejudicial para o ambiente deste produto.
- Mantenha todos os materiais de embalagem fora do alcance das crianças, uma vez que estes podem representar um perigo para as crianças.
 - Se uma criança colocar um saco na cabeça, pode sufocar.

Informações de segurança

Sugestões adicionais para uma utilização adequada

- Em caso de falha de energia, contacte a repartição local da sua companhia de eletricidade e pergunte quanto tempo irá durar.
 - Por norma, as falhas de energia que são resolvidas no espaço de uma a duas horas não afetam as temperaturas do frigorífico. No entanto, deve abrir a porta do frigorífico o menos possível enquanto a energia não for reposta.
 - Caso a falha de energia se prolongue por mais de 24 horas, retire todos os alimentos congelados e deite-os fora.
- O frigorífico pode não funcionar de forma consistente (os produtos congelados podem descongelar ou a temperatura pode subir demasiado no congelador) se, durante um longo período de tempo, ficar instalado num local em que a temperatura ambiente está constantemente abaixo das temperaturas para as quais o aparelho foi concebido.
- No caso de determinados alimentos, a refrigeração pode não ser adequada para a conservação dos mesmos devido às suas propriedades.
- Este aparelho é “frost free”, o que significa que não há necessidade de o descongelar manualmente. Esta operação é realizada de forma automática.
- O aumento de temperatura durante a descongelação está em conformidade com os requisitos da norma ISO. Se quiser impedir um aumento excessivo da temperatura dos alimentos congelados durante a descongelação do aparelho, embrulhe-os em várias camadas de papel de jornal.
- Não volte a congelar alimentos que tenham descongelado completamente.
- A temperatura da secção (secções) de duas estrelas ou do compartimento (compartimentos) que tem o símbolo de duas estrelas (***) é ligeiramente mais elevada do que noutros compartimentos do congelador.
A localização da secção (secções) de duas estrelas ou do compartimento (compartimentos) pode (podem) variar consoante os produtos; por isso, consulte as instruções e/ou as condições em que são entregues.

Sugestões de poupança de energia

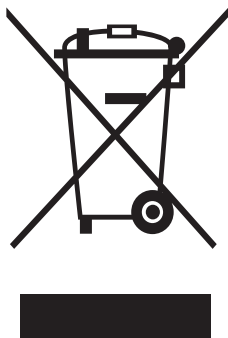
- Instale o aparelho num local fresco e seco com ventilação adequada. Certifique-se de que não fica exposto à incidência direta de raios solares e nunca o coloque perto de uma fonte direta de calor (um radiador, por exemplo).
- Com vista à eficiência energética, recomenda-se que não bloqueie as aberturas de ventilação nem as grelhas.
- Deixe arrefecer os alimentos quentes antes de os guardar no aparelho.
- Coloque os alimentos congelados no frigorífico para descongelarem. Deste modo, pode utilizar as baixas temperaturas dos produtos congelados para arrefecer outros alimentos no frigorífico.
- Não mantenha a porta do frigorífico aberta durante muito tempo para colocar ou retirar alimentos. Quanto menos tempo a porta estiver aberta, menos gelo se irá acumular no congelador.
- Recomenda-se que instale o frigorífico com algum espaço livre nos lados e na parte de trás. Estas medidas irão ajudá-lo a reduzir o consumo de energia e a manter as suas contas de eletricidade mais baixas.
- Para uma utilização mais eficiente da energia, mantenha todos os acessórios internos, tais como cestos, gavetas e prateleiras, na posição definida pelo fabricante.

Este aparelho de uso doméstico destina-se também a ser utilizado em aplicações semelhantes como:

- em zonas de cozinha de funcionários em lojas, escritórios e em outros ambientes de trabalho;
- em casas de campo/quintas, hotéis, motéis e outros tipos de ambientes residenciais;
- em ambientes tipo pousada;
- em serviços de catering e em outras aplicações semelhantes que não se destinem a retalho.

Informações de segurança

Instruções sobre REEE



Eliminação correta deste produto (Resíduos de Equipamentos Elétricos e Eletrónicos)

(Aplicável a países cujos sistemas de recolha sejam separados)

Esta identificação no produto, acessórios ou folhetos indica que o produto e os seus acessórios eletrónicos (por exemplo, carregador, auricular, cabo USB) não devem ser eliminados juntamente com outro lixo doméstico no final da sua vida útil. Para impedir danos ao ambiente ou à saúde humana causados pela eliminação não controlada de resíduos, deverá separar estes equipamentos de outros tipos de resíduos e reciclá-los de forma responsável, para promover uma reutilização sustentável dos recursos materiais.

Os utilizadores domésticos deverão contactar o estabelecimento onde adquiriram este produto ou as entidades oficiais locais para obterem informações sobre onde e de que forma podem entregar estes equipamentos para permitir efetuar uma reciclagem segura em termos ambientais.

Os utilizadores profissionais deverão contactar o seu fornecedor e consultar os termos e condições do contrato de compra. Este produto e os seus acessórios eletrónicos não deverão ser misturados com outros resíduos comerciais para eliminação.

Para obter informações sobre os compromissos ambientais da Samsung e as obrigações regulamentares do produto, por exemplo, as Diretivas REACH, REEE e de Baterias, visite a nossa página sobre sustentabilidade, disponível através do site www.samsung.com

(Apenas para produtos vendidos em países europeus)

Instalação

Antes de utilizar este frigorífico, siga estas instruções cuidadosamente para garantir uma correta instalação do mesmo e evitar acidentes.

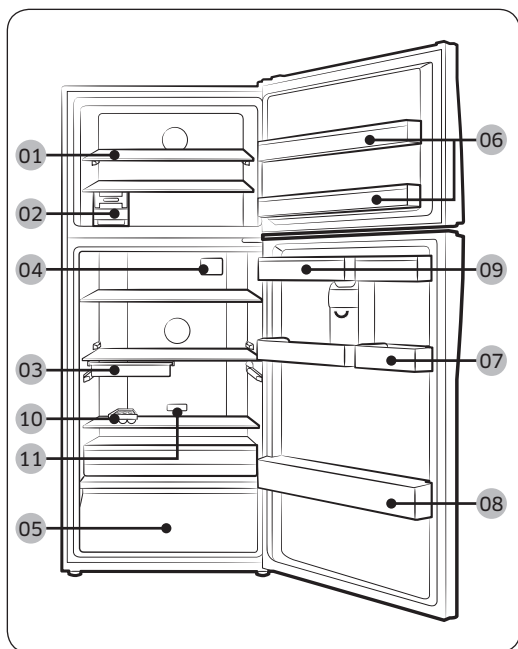
⚠ AVISO

- Utilize o frigorífico apenas para o fim a que se destina e de acordo com este manual.
- Qualquer reparação tem de ser efetuada por um técnico qualificado.
- Elimine o material de embalagem do produto em conformidade com os regulamentos locais.

Visão geral do frigorífico

📄 NOTA

Esta imagem pode diferir dos componentes do frigorífico fornecidos consoante o modelo e o país.

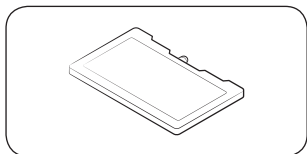


- 01 Prateleira do congelador
- 02 Módulo de produção de gelo
- 03 Compartimento para produtos frescos *
- 04 Protetor antibacteriano *
- 05 Caixa de vegetais *
- 06 Compartimento do congelador
- 07 Compartimento para diversos produtos
- 08 Compartimento para garrafas
- 09 Depósito de água *
- 10 Compartimento para ovos
- 11 Desodorizante *

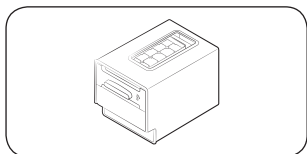
* apenas nos modelos aplicáveis

Instalação

Acessórios opcionais *



Acumulador de frio: ajuda a manter o frigorífico frio.



Módulo rotativo de produção de gelo: serve para fazer gelo.

* O seu frigorífico pode não incluir os acessórios opcionais acima listados. O fornecimento de acessórios opcionais depende do modelo e do país.

Para garantir mais espaço de armazenamento no compartimento do congelador

Retire o módulo de produção de gelo, que pode ser solto manualmente, sem necessitar de ferramentas.

- A remoção do módulo de produção de gelo não afeta o desempenho térmico nem mecânico do congelador.

Para obter a melhor eficiência energética possível, certifique-se de que todos os cestos, prateleiras e gavetas estão colocados na respetiva posição original.

Instalação passo a passo

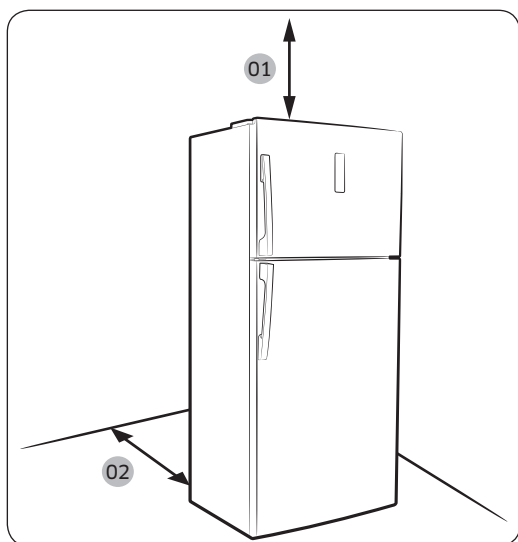
PASSO 1 Selecionar um local

Requisitos para o local:

- Superfície sólida e nivelada sem carpete ou pavimento que possa obstruir a ventilação
- Afastado da incidência direta de raios solares
- Espaço adequado para abrir e fechar a porta
- Afastado de uma fonte de calor
- Espaço para a manutenção e assistência
- Intervalo de temperaturas: entre 10 °C e 43 °C

Folga

Consulte as imagens e a tabela abaixo para saber os requisitos de espaço para a instalação.



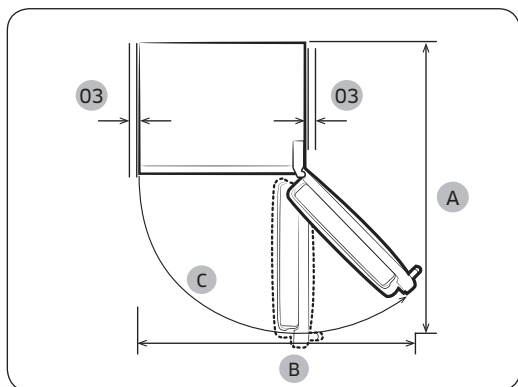
Modelo	A	B	C
RT58	1507	1352	120°
RT62	1507	1352	120°

(unidade: mm)

01 100 mm

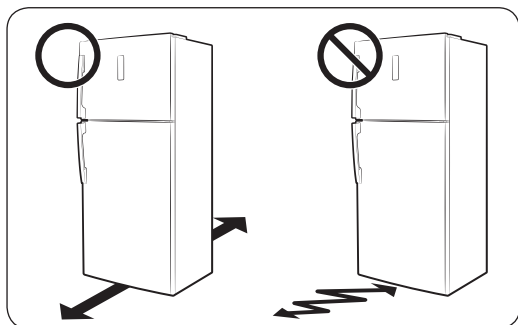
02 50 mm

03 pelo menos 50 mm



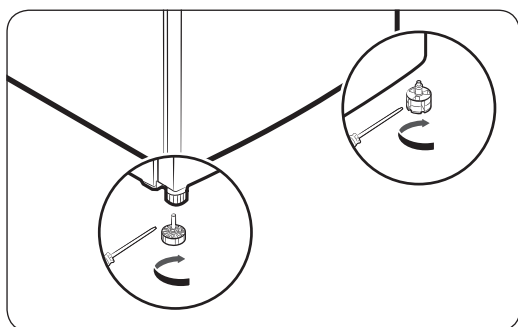
Instalação

PASSO 2 Pavimento

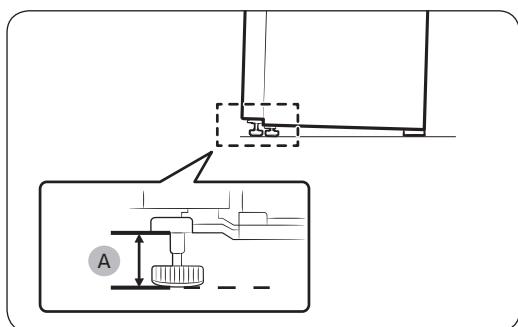


- A superfície de instalação do refrigerador tem de suportar um refrigerador totalmente carregado ou aproximadamente 100 kg.
- Para proteger o pavimento, coloque um pedaço grande de cartão por baixo de cada pé do refrigerador.
- Assim que o refrigerador estiver na sua posição final, desloque-o apenas se for necessário, de modo a proteger o pavimento. Se tiver de o fazer, utilize papel ou tecido grosso como, por exemplo, carpetes usadas, ao longo da trajetória.

PASSO 3 Ajuste dos pés de nivelamento



Nivele o refrigerador ajustando manualmente os pés de nivelamento. Rode os pés de nivelamento no sentido dos ponteiros do relógio para baixar o refrigerador ou no sentido contrário para subir.

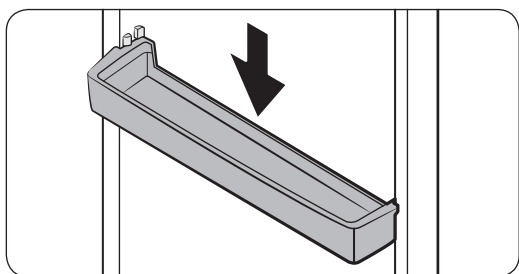


Os pés devem ficar a, pelo menos, 35 mm (A) do chão conforme indicado.

PASSO 4 Desembale e coloque os acessórios nos respetivos locais (apenas nos modelos aplicáveis)

Os acessórios enviados com este frigorífico são devidamente embalados para o transporte e por questões de segurança. Desembale e coloque os acessórios nos respetivos locais.

Compartimentos da porta

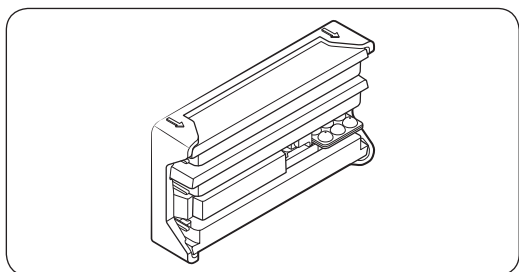


O produto inclui compartimentos da porta. Insira os compartimentos da porta respetivos no congelador e no frigorífico.

Se pretender utilizar o compartimento para ovos, certifique-se de que este está inserido no frigorífico ou no compartimento da porta.

NOTA

Pressione firmemente os compartimentos da porta ao montá-los na porta.



Instalação

PASSO 5 Definições iniciais

Depois de concluídos os seguintes passos, o frigorífico deverá estar totalmente operacional.

1. Introduza a ficha do cabo de alimentação na tomada para ligar o frigorífico.
2. Abra a porta e verifique se a luz interior se acende.
3. Defina a temperatura para a opção mais fria e aguarde cerca de uma hora. Em seguida, o congelador estará ligeiramente fresco e o motor funcionará de maneira uniforme.
4. Aguarde até que o frigorífico atinja a temperatura definida. Agora o frigorífico está pronto a utilizar.

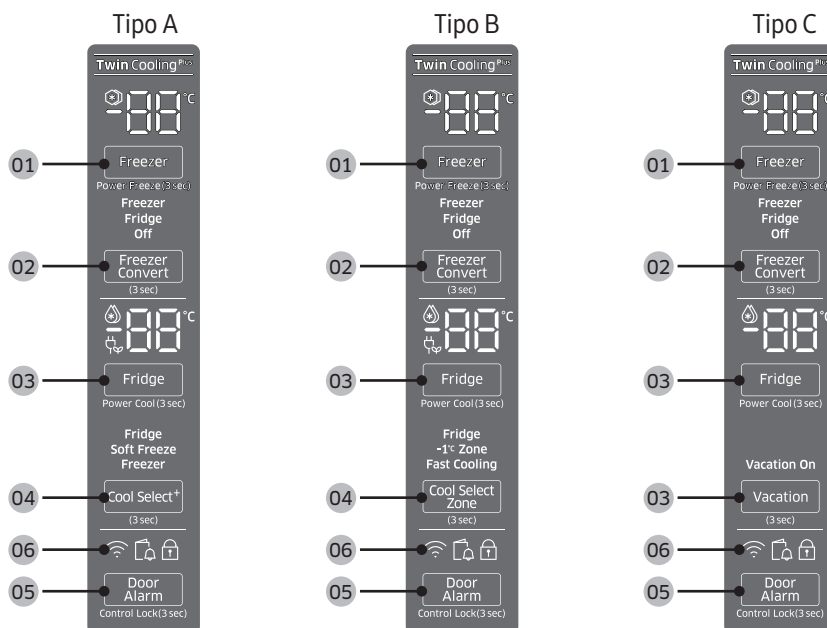
PASSO 6 Verificação final

Quando a instalação estiver concluída, confirme se:

- O frigorífico está devidamente ligado a uma tomada elétrica e à terra.
- O frigorífico está instalado sobre uma superfície plana e nivelada com uma folga razoável em relação à parede ou ao armário.
- O frigorífico está nivelado e bem assente no chão.
- A porta abre e fecha livremente e a luz interior se acende automaticamente ao abrir a porta.

Operações

Painel principal



01 Freezer (Congelador) / Power Freeze (Congelação rápida)

02 Freezer Convert (Conversão do congelador)

03 Fridge (Frigorífico) / Power Cool (Refrigeração rápida) / Vacation (Férias)

04 Cool Select+ (Refrigeração selecionável) * / Cool Select Zone (Compartimento de refrigeração selecionável) *

05 Door Alarm (Alarme da porta) / Control Lock (Bloqueio do controlo)

06 Ligação à rede *

* Apenas nos modelos aplicáveis

Operações

01 Congelador / Congelação rápida

Freezer (Congelador)	<p>O botão Freezer (Congelador) pode ser utilizado para definir a temperatura do congelador.</p> <p>As temperaturas disponíveis situam-se entre -15 °C e -23 °C.</p> <p>⚠ ATENÇÃO</p> <ul style="list-style-type: none">• Para evitar uma avaria do sistema ou que os alimentos se estraguem, não defina a temperatura como -15 °C no Verão (acima de 35 °C).• Não guarde garrafas de vidro com líquido no congelador. As garrafas de vidro estalam ou partem-se em pedaços quando o líquido congela.
Power Freeze (Congelação rápida)	<p>O botão Congelação rápida permite acelerar o processo de congelação com a ventoinha na velocidade máxima. O congelador funciona na velocidade máxima durante várias horas e depois regressa à temperatura anterior.</p> <ul style="list-style-type: none">• Para ativar Congelação rápida, carregue sem soltar Freezer (Congelador) durante 3 segundos. O indicador correspondente (❄) acende-se e o frigorífico acelera o processo de refrigeração.• Para desativar, carregue sem soltar novamente em Freezer (Congelador) durante 3 segundos. O congelador regressa à definição de temperatura anterior.• Para congelar uma grande quantidade de alimentos, ative Congelação rápida pelo menos 20 horas antes de colocar os alimentos no congelador.• O congelador funciona na velocidade máxima durante 50 horas e depois regressa à temperatura anterior. <p>📄 NOTA</p> <p>A utilização de Congelação rápida aumenta o consumo de energia. Se não pretender utilizar esta função, desative-a e certifique-se de que regressa à temperatura anterior.</p>



02 Conversão do congelador

Pode utilizar todo o frigorífico no modo Fridge (Frigorífico) ou desligar o congelador.

Para alterar o modo de congelador predefinido, carregue sem soltar **Freezer Convert (Conversão do congelador)** durante 3 segundos para aceder ao modo de seleção. Em seguida, carregue em **Freezer Convert (Conversão do congelador)** para selecionar o modo pretendido.

O modo é alterado por esta sequência: modo de definição Fridge (Frigorífico) → Off (Desligado) → Freezer (Congelador) → Off (Desligado) → Fridge (Frigorífico).

- Se selecionar Fridge (Frigorífico), o indicador Fridge (Frigorífico) acende-se. A função Power Freeze (Congelação rápida) é desativada se estiver ativa, tal como a função Ice On (Ativação de gelo).
- Se selecionar Off (Desligado), o indicador Off (Desligado) acende-se. O congelador desliga-se.
- Se selecionar Freezer (Congelador), os indicadores do congelador acendem-se para a seleção do utilizador.

As suas alterações são definidas e ativadas passados 10 segundos. Para cancelar ou alterar mais uma vez o modo, carregue sem soltar **Freezer Convert (Conversão do congelador)** novamente durante 3 segundos. Depois, siga as instruções acima mencionadas.

NOTA

- Se carregar sem soltar em **Freezer convert (Conversão do congelador)** durante 3 segundos, o frigorífico passa para o modo de seleção onde pode carregar em **Freezer Convert (Conversão do congelador)** para selecionar um modo diferente.
- Quando as funções de refrigeração ou de congelação estão no “modo Off (Desligado)”, a temperatura do frigorífico ou do congelador permanece abaixo de 15 °C para prevenir o aparecimento de bolor e de odores, utilizando uma tensão baixa.
- O frigorífico ou o congelador não pode ser desligado independentemente.
- Não guarde alimentos ou bebidas no frigorífico quando as funções de refrigeração ou de congelação estiverem no “modo Off (Desligado)”. A temperatura de 15 °C não é suficientemente fria para prevenir a deterioração dos alimentos.

AVISO

- Não coloque garrafas de vidro com líquido no congelador. Ao cancelar Freezer Convert (Conversão do congelador), as garrafas de vidro podem partir-se ou rebentar no congelador.
- Retire os alimentos congelados do congelador antes de ativar Freezer Convert (Conversão do congelador). Os alimentos congelados derretem e estragam-se à medida que a temperatura aumenta (o modo Freezer (Congelador) passa para o modo Fridge (Frigorífico)).
- Retire os alimentos frescos do congelador antes de desativar Freezer Convert (Conversão do congelador). Os alimentos frescos podem congelar à medida que a temperatura baixa (o modo Fridge (Frigorífico) passa para o modo Freezer (Congelador)).

NOTA

Se quiser utilizar Freezer Convert (Conversão do congelador), recomendamos vivamente que utilize recipientes de plástico para guardar alimentos, especialmente vegetais.



Operações

03 Frigorífico / Refrigeração rápida / Férias

Fridge (Frigorífico)	<p>Para ajustar a temperatura do frigorífico, carregue em Fridge (Frigorífico) para seleccionar a temperatura correspondente. Pode alterar a temperatura entre 1 °C e 7 °C.</p> <p>⚠ ATENÇÃO</p> <ul style="list-style-type: none">• No Inverno, não defina o controlo de temperatura como 1 °C. Pode causar problemas no desempenho de refrigeração.• No Verão, não defina o controlo de temperatura como 5-7 °C. Também pode causar problemas no desempenho de refrigeração.
Power Cool (Refrigeração rápida)	<p>O botão Refrigeração rápida permite acelerar o processo de refrigeração com a ventoinha na velocidade máxima. O frigorífico funciona na velocidade máxima durante várias horas e depois regressa à temperatura anterior.</p> <ul style="list-style-type: none">• Para ativar Refrigeração rápida, carregue sem soltar em Fridge (Frigorífico) durante 3 segundos. O indicador correspondente (🌀) acende-se e o frigorífico acelera o processo de refrigeração.• Para desativar Refrigeração rápida, carregue sem soltar novamente em Fridge (Frigorífico) durante 3 segundos. O frigorífico regressa à definição de temperatura anterior. <p>📄 NOTA</p> <p>A utilização de Refrigeração rápida aumenta o consumo de energia. Se não pretender utilizar esta função, desative-a e certifique-se de que regressa à temperatura anterior.</p>

<p>Vacation (Férias)</p>	<p>Se for de férias ou em viagem de negócios, ou se não pretender utilizar o frigorífico durante um longo período de tempo, utilize o modo Férias.</p> <p>(Apenas modelos do Tipo A e Tipo B)</p> <ul style="list-style-type: none"> • Para ativar o modo Férias, carregue em Fridge (Frigorífico) com o indicador 1 °C selecionado. O indicador de férias (☼) acende-se e o visor das temperaturas do frigorífico apaga-se. O visor dos modelos do Tipo A (Refrigeração selecionável+) e do Tipo B (Compartimento de refrigeração selecionável) também se apaga. A temperatura do frigorífico será controlada abaixo de 15 °C, mas o congelador permanece ativo, conforme definido anteriormente. • Para desativar o modo Férias, carregue novamente em Fridge (Frigorífico). A temperatura do frigorífico regressa aos 7 °C. Note que os modelos do Tipo A (Refrigeração selecionável+) e do Tipo B (Compartimento de refrigeração selecionável) regressam às definições de temperatura do frigorífico. <p>(Apenas modelos do Tipo C)</p> <ul style="list-style-type: none"> • Para ativar o modo Férias, carregue sem soltar Vacation (Férias) durante 3 segundos. O indicador Vacation (Férias) ligado acende-se e o visor das temperaturas do frigorífico apaga-se. A temperatura do frigorífico será controlada abaixo de 15 °C, mas o congelador permanece ativo, conforme definido anteriormente. • Para desativar o modo Férias, carregue sem soltar Vacation (Férias) novamente durante 3 segundos. A temperatura do frigorífico regressa à definição anterior. <p>📄 NOTA</p> <p>Recomendamos vivamente que esvazie o compartimento do frigorífico e que se certifique de que a porta está fechada.</p> <p>Para os modelos Refrigeração selecionável+/Compartimento de refrigeração selecionável, o modo Férias é controlado a menos de 15 °C, tal como as definições do frigorífico. No entanto (consoante o modelo), o indicador relevante apaga-se.</p>
--------------------------	---

Operações

04 Refrigeração selecionável+ / Compartimento de refrigeração selecionável (apenas nos modelos aplicáveis)

Cool Select+ (Refrigeração selecionável+) (TIPO A)	<p>Carregue sem soltar Cool Select+ (Refrigeração selecionável+) durante 3 segundos. Em seguida, carregue novamente para selecionar o modo pretendido. O indicador correspondente acende-se.</p> <ul style="list-style-type: none">• Fridge (Frigorífico) Se selecionado, o Compartimento de refrigeração selecionável será definido para 3 °C.• Soft Freeze (Congelação suave) Se selecionado, o Compartimento de refrigeração selecionável será definido para -5 °C. Isto é útil para conservar carne e/ou peixe durante um período prolongado.• Freezer (Congelador) Se selecionado, o Compartimento de refrigeração selecionável será definido para -12 °C. Isto é útil para conservar vegetais congelados durante um período prolongado.
Cool Select Zone (Compartimento de refrigeração selecionável) (TIPO B)	<p>Carregue sem soltar Cool Select Zone (Compartimento de refrigeração selecionável) durante 3 segundos. Em seguida, carregue novamente para selecionar o modo pretendido. O indicador correspondente acende-se.</p> <ul style="list-style-type: none">• Fridge (Frigorífico) Se selecionado, o Compartimento de refrigeração selecionável será definido para 3 °C.• -1 °C Zone (Zona -1 °C) Se selecionado, o Compartimento de refrigeração selecionável será definido para -1 °C. Isto é útil para conservar alimentos perecíveis.• Fast Cooling (Arrefecimento rápido) Selecione esta opção se quiser refrigerar alimentos rapidamente. O Compartimento de refrigeração selecionável refrigerará alimentos a uma velocidade máxima durante 60 minutos.



05 Alarme da porta / Bloqueio do controlo

Door Alarm (Alarme da porta)	Pode definir o alarme para emitir um alerta. Se deixar a porta aberta durante mais de 2 minutos, o alarme toca e o indicador do alarme pisca. Pode alternar entre ativar e desativar o alarme carregando em Door Alarm (Alarme da porta) . O alarme vem ativado de fábrica.
Control Lock (Bloqueio do controlo)	Para prevenir uma manipulação acidental, carregue sem soltar em Door Alarm (Alarme da porta) durante 3 segundos para ativar o Bloqueio do controlo. Todos os controlos serão desativados com o indicador (🔒) ativo. Para desativar, carregue sem soltar novamente durante 3 segundos. Os controlos serão ativados da forma normal.

06 Ligação à rede (apenas nos modelos aplicáveis)

Este ícone indica que o frigorífico está ligado a uma rede. Se o ícone do Wi-Fi (📶) piscar, recomendamos a ligação do frigorífico à aplicação SmartThings. Pode controlar e monitorizar o frigorífico na aplicação SmartThings. Para obter mais informações, consulte a secção **SmartThings**.

Ligar ou desligar o Wi-Fi

Para ligar ou desligar o Wi-Fi, carregue sem soltar em **Door Alarm (Alarme da porta)** durante 10 segundos. O ícone do Wi-Fi (📶) mostra o estado do Wi-Fi, conforme apresentado abaixo.

- Wi-Fi desligado: o ícone do Wi-Fi (📶) pisca durante 5 segundos e, em seguida, apaga-se.
- Wi-Fi ligado: o ícone do Wi-Fi (📶) pisca durante 5 segundos e, em seguida, acende-se durante 5 segundos.



NOTA

- Tem de ligar o Wi-Fi para ligar o frigorífico à aplicação SmartThings.
- Para obter mais informações, consulte a secção **SmartThings**.



Operações

SmartThings

Instalação

Visite a Google Play Store, a Galaxy Apps ou a Apple App Store e pesquise por “SmartThings”. Transfira e instale a aplicação SmartThings fornecida pela Samsung Electronics no seu dispositivo inteligente.

NOTA

- A versão de software de suporte da aplicação SmartThings está sujeita a alterações de acordo com a política de suporte de SO que o fabricante fornece. Além disso, relativamente à aplicação SmartThings ou às funções que a aplicação suporta, a nova política de atualização de aplicações sobre a versão de SO existente pode ser suspensa por motivos de usabilidade ou de segurança.
- A aplicação SmartThings está sujeita a alterações sem aviso prévio para melhorar a usabilidade ou o desempenho. Uma vez que a versão de SO do telemóvel é atualizada todos os anos, a aplicação SmartThings também é continuamente atualizada de acordo com o SO mais recente. Se tiver questões sobre os itens acima mencionados, entre em contacto conosco através do endereço st.service@samsung.com
- Os sistemas de encriptação recomendados incluem WPA/TKIP e WPA2/AES. Não são suportados protocolos de autenticação de Wi-Fi mais recentes ou não padronizados.
- As redes sem fios podem ser afetadas pelo ambiente de comunicação sem fios circundante.
- Se o seu fornecedor de serviço de Internet registou o endereço MAC do seu PC ou modem para efeitos de identificação, poderá não conseguir ligar o seu frigorífico Samsung Smart à Internet. Se isso acontecer, contacte o seu fornecedor de serviço de Internet para obter assistência técnica.
- As definições do firewall do seu sistema de rede podem estar a impedir o acesso do frigorífico Samsung Smart à Internet. Contacte o seu fornecedor de serviço de Internet para obter assistência técnica. Se este sintoma continuar, contacte um centro de assistência ou revendedor Samsung local.
- Para configurar as definições do ponto de acesso (AP) sem fios, consulte o manual do utilizador do router do AP.
- Os frigoríficos Samsung Smart suportam os protocolos Wi-Fi 2,4 GHz com IEEE 802.11 b/g/n e Soft-AP. (É recomendado IEEE 802.11 n.)
- Os routers sem fios Wi-Fi não autorizados poderão não ligar aos frigoríficos Samsung Smart aplicáveis.



Conta Samsung

Tem de registar a sua conta Samsung para poder utilizar a aplicação. Se não tem uma conta Samsung, siga as instruções no ecrã da aplicação para criar uma conta Samsung gratuita.

Introdução

Ligue o dispositivo que pretende ligar, abra a aplicação SmartThings no telefone e siga as instruções abaixo.

Se for apresentada uma mensagem pop-up a informar que foi encontrado um novo dispositivo, toque em **ADD NOW (ADICIONAR AGORA)**.

Se não for apresentada uma mensagem pop-up, toque no botão **+** e selecione o dispositivo que pretende ligar a partir da lista de dispositivos disponíveis.

Se o seu dispositivo não estiver na lista de dispositivos disponíveis, toque em **Supported Devices (Dispositivos suportados)**, selecione o tipo de dispositivo (frigorífico) e, em seguida, selecione o modelo de dispositivo específico.

Siga as instruções na aplicação para configurar o dispositivo. Depois de concluída a configuração, o frigorífico irá aparecer como um "cartão" no ecrã **Devices (Dispositivos)**.

Controlo integrado

Pode monitorizar e controlar o seu frigorífico em casa e remotamente, onde quer que esteja.

- Toque no ícone do frigorífico no painel da aplicação SmartThings ou toque no ícone de dispositivos na parte inferior do painel e, em seguida, toque no "cartão" do frigorífico para abrir a página Refrigerator (Frigorífico).
- Verifique o estado de funcionamento ou as notificações relacionadas com o frigorífico e altere opções ou definições, se necessário.

NOTA

Algumas opções ou definições do frigorífico podem não estar disponíveis para controlo remoto.



Operações

Categoria	Item	Descrição
Monitorizar e controlar	Temperatura do frigorífico	Apresenta a definição atual da temperatura do frigorífico.
	Temperatura do congelador	Apresenta a definição atual da temperatura do congelador.
	Refrigeração rápida	Pode ligar ou desligar a função Refrigeração rápida e verificar as definições atuais.
	Refrigeração selecionável+ * / Compartimento de refrigeração selecionável *	Pode definir e monitorizar o modo pretendido do Refrigeração selecionável.
Alarmes	Temperatura anormalmente elevada	Este alarme dispara quando o frigorífico tem temperaturas anormalmente elevadas.
	Abertura da porta	Este alarme dispara se a porta do frigorífico ou do congelador permanecer aberta durante mais de 2 minutos.

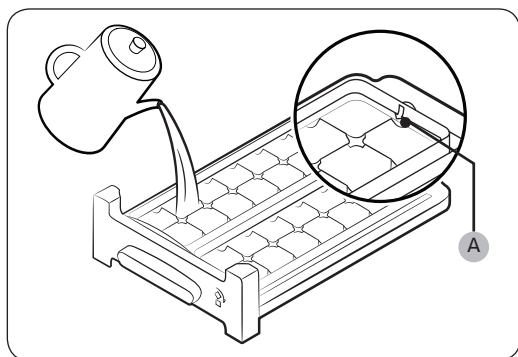
* apenas nos modelos aplicáveis

Funções especiais

A imagem existente pode diferir das funções especiais do frigorífico, consoante o modelo e o país.

Produção de gelo (apenas nos modelos aplicáveis)

Módulo rotativo de produção de gelo



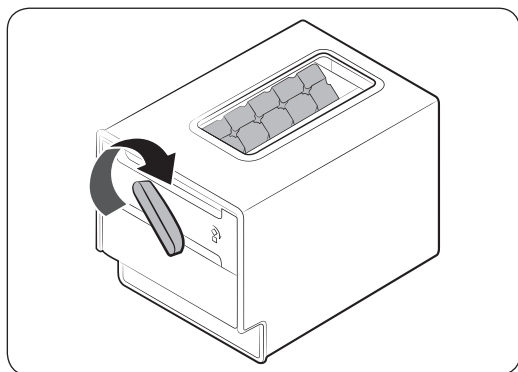
1. Abra a porta do congelador e faça deslizar a cuvette para fora.
2. Encha a cuvette com água até ao nível máximo (A) indicado no interior da parte traseira da mesma.
3. Faça deslizar a cuvette para a posição original.

NOTA

O tempo de produção de gelo depende das definições de temperatura.

NOTA

- Certifique-se de que o depósito de cubos de gelo está bem colocado debaixo da cuvette.
- Para tirar os cubos de gelo, rode a pega do depósito para a direita, de modo a transferir metade dos cubos de gelo para o depósito. Em seguida, rode-a para a esquerda de modo a transferir a outra metade.
- Retire o depósito rodando-o ligeiramente e puxando-o para a frente.



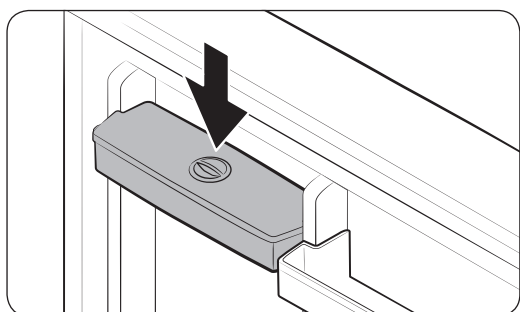
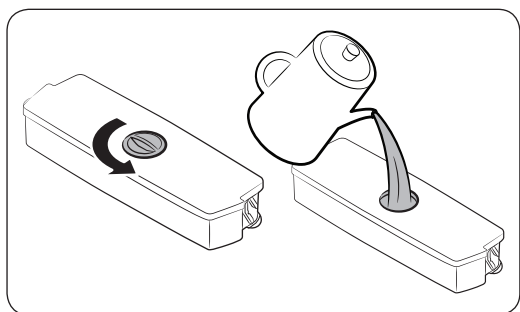
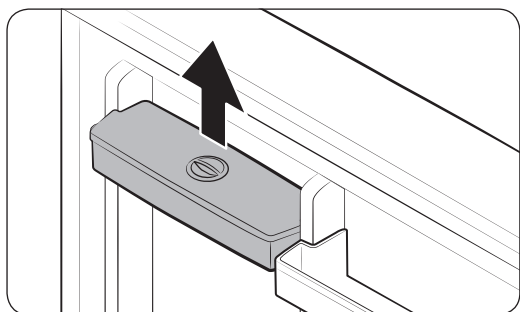
Operações

Dispensador de água

Com o dispensador de água, pode obter água sem abrir a porta do frigorífico. Antes de utilizar o dispensador, tem de encher o depósito de água com água potável.

Para encher o depósito de água com água potável

Abra a porta e procure o depósito de água que se encontra na zona de prateleiras da porta.



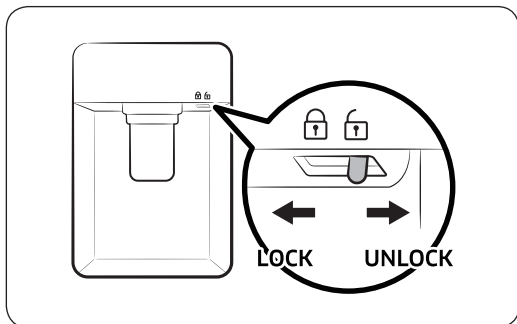
1. Segure nas pegas de ambos os lados do depósito de água para o levantar e retirar.

2. Encha o depósito de água com um máximo de 2,8 litros de água potável. Pode retirar a tampa superior ou a cobertura e deitar água.

NOTA

Antes da primeira utilização, limpe o interior do depósito de água.

3. Reintroduza o depósito de água e feche a porta. Certifique-se de que a saída de água do depósito está virada para a frente.



4. Coloque um copo por baixo da saída de água do dispensador e carregue suavemente na patilha do dispensador para obter água. Certifique-se de que o dispensador de água está desbloqueado.

⚠ ATENÇÃO

- O dispensador de água foi concebido para dispensar água potável. Encha o depósito de água apenas com água potável. Não o encha com quaisquer outros líquidos.
- Não encha o depósito de água em excesso, porque pode transbordar.
- Não tente encher o depósito de água sem o retirar da porta.
- Certifique-se de que o depósito de água está corretamente assente.
- Não utilize o frigorífico sem o depósito de água. Tal pode reduzir o desempenho e a eficiência.
- Para evitar que a água salpique, certifique-se de que o copo está alinhado com a patilha do dispensador.

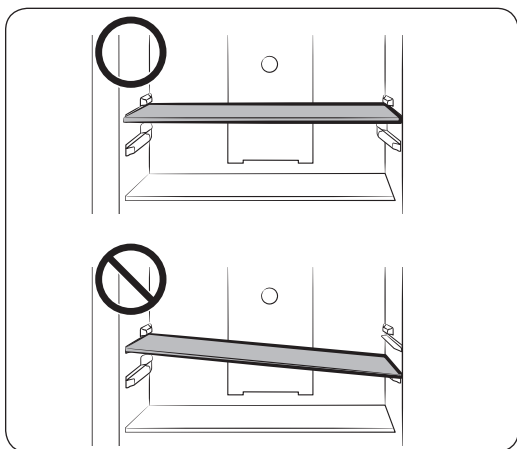
📄 NOTA

Para garantir mais espaço, pode utilizar o depósito de água para guardar alimentos. Neste caso, retire a tampa do depósito.

Manutenção

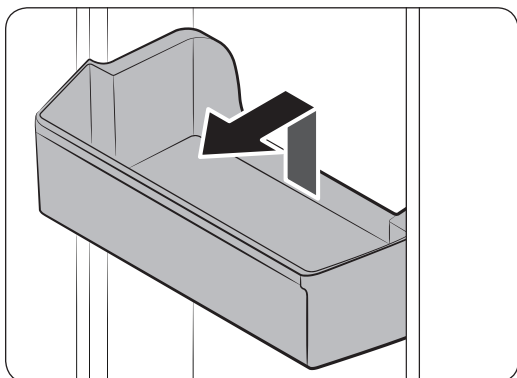
Manuseamento e cuidado

Prateleiras do congelador e do frigorífico



- Para retirar uma prateleira, abra primeiro a porta por completo. Puxe a prateleira para a frente, levante-a e, em seguida, remova-a.
- Não tente inclinar a prateleira na respetiva posição.

Compartimentos da porta



Levante ligeiramente o compartimento da porta e retire-o.

⚠ ATENÇÃO

Para evitar acidentes, esvazie os compartimentos da porta antes de os retirar.

Limpeza

Utilize regularmente um pano seco para remover todas as substâncias estranhas, como pó ou água, dos pontos de contacto e dos terminais da ficha de alimentação.

1. Desligue o cabo de alimentação do frigorífico.
2. Utilize um pano macio sem fibras ou um toalhete de papel humedecido para limpar o interior e o exterior do frigorífico.
3. Quando terminar, utilize um pano ou toalhete de papel seco para secar bem.
4. Introduza a ficha do cabo de alimentação do frigorífico na tomada para ligar o frigorífico.

NOTA

Se tiver retirado componentes amovíveis, como prateleiras para a limpeza, consulte o esquema geral na secção “O que está incluído” para se certificar de que volta a colocá-los corretamente.

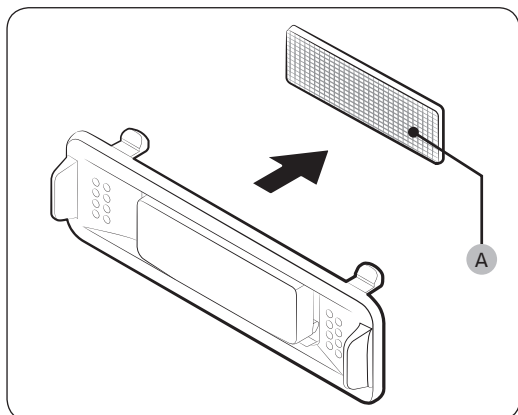
AVISO

- Não utilize benzeno, diluente nem detergente doméstico/para automóveis, tal como o Clorox™, para efeitos de limpeza. Podem danificar a superfície do frigorífico e provocar um incêndio.
- Não pulverize água sobre o frigorífico. Pode provocar choques elétricos.
- Não coloque os dedos nem outros objetos no orifício do dispensador.

Manutenção

Substituição

Filtro desodorizante (apenas nos modelos aplicáveis)



Segure nas partes superior e inferior do compartimento do filtro para o desbloquear e para ter acesso ao **filtro desodorizante (A)**. Substitua o filtro e volte a colocar o compartimento do filtro.

Lâmpadas e filtro antibacteriano

As lâmpadas e o filtro antibacteriano não podem ser substituídos pelo utilizador. Não tente substituí-los sozinho. Para os substituir, contacte um centro de assistência técnica local da Samsung.

Lâmpada (fonte de luz)

Este produto contém uma fonte de luz de classe de eficiência energética <G>.

As lâmpadas e/ou os dispositivos de controlo não podem ser substituídos(as) pelo utilizador. Para a substituição de lâmpadas e/ou dispositivos de controlo do produto, contacte um centro de assistência técnica local da Samsung.

Para obter instruções detalhadas sobre a substituição de lâmpadas ou dispositivos de controlo do produto, visite o site da Samsung (<http://www.samsung.com>), vá para Support > Support home (Suporte > Página de produto) e introduza o nome do modelo.

Para obter instruções detalhadas sobre a remoção de lâmpadas e/ou dispositivos de controlo, basta seguir as instruções de substituição conforme descrito acima.

Resolução de problemas

Se detetar uma situação anormal no frigorífico, consulte primeiro a tabela abaixo e experimente as sugestões.


Geral

Sintoma	Ação
Não funciona ou não efetua a refrigeração.	<ul style="list-style-type: none">• Certifique-se de que o cabo de alimentação está corretamente ligado.• Certifique-se de que o controlo de temperatura está corretamente definido.• Certifique-se de que o frigorífico está afastado da luz solar direta ou de uma fonte de calor. Se não estiver, o desempenho de refrigeração pode ser afetado.• Certifique-se de que o frigorífico tem folga suficiente em relação às paredes traseira e laterais ou ao armário. Se não tiver, o desempenho de refrigeração pode ser afetado.• Uma grande quantidade de alimentos pode bloquear a ventilação do frigorífico. Para que o frigorífico funcione normalmente, não coloque grandes quantidades de alimentos no interior.
Os alimentos congelam dentro do frigorífico.	<ul style="list-style-type: none">• Verifique se o controlo de temperatura está definido para a temperatura mais baixa. Se estiver, altere a temperatura para um nível mais alto ou para Optimal (Ideal).• Esta situação acontece se a temperatura ambiente estiver demasiado baixa. Defina a temperatura para um nível mais alto.• Verifique se os alimentos que têm um elevado teor de água estão colocados na área mais fria do frigorífico ou perto da abertura de ventilação. Se for o caso, mude os alimentos para outras prateleiras do frigorífico.
Emite ruídos.	<ul style="list-style-type: none">• Certifique-se de que o frigorífico está instalado sobre uma superfície estável e plana.• Certifique-se de que o frigorífico tem folga suficiente em relação às paredes traseira e laterais ou ao armário.• Mantenha o frigorífico livre de impurezas ou objetos estranhos no interior ou por baixo do mesmo.• O interior do frigorífico pode emitir um som de tiquetaque, o que ocorre quando os diversos componentes amovíveis se contraem ou expandem. Não se trata de uma avaria do sistema.

Resolução de problemas

Sintoma	Ação
Os cantos frontais e as partes laterais ficam quentes e formam condensação.	<ul style="list-style-type: none">• Para evitar a formação de condensação, os cantos frontais do frigorífico estão equipados com tubos resistentes ao calor. Se a temperatura ambiente subir, este equipamento pode não funcionar eficazmente. Não se trata de uma avaria do sistema.• Pode formar-se condensação na superfície exterior do frigorífico se o ar húmido entrar em contacto com a superfície fria do frigorífico.
O módulo de produção de gelo não faz gelo.	<ul style="list-style-type: none">• Tem de aguardar 12 horas para que o frigorífico faça gelo.• Certifique-se de que o módulo de produção de gelo não é parado enquanto faz gelo.• Certifique-se de que o congelador está definido abaixo de 0 °C (ou -5 °C com ar ambiente quente).• Certifique-se de que o depósito de água está cheio de água.
O dispensador de água não está a funcionar.	<ul style="list-style-type: none">• Verifique se o depósito de água está congelado. Se estiver, selecione uma temperatura mais alta para o frigorífico.• Certifique-se de que o depósito de água está cheio de água.• Certifique-se de que o depósito de água está corretamente instalado.• Certifique-se de que o filtro de água está corretamente instalado.
Ouve-se um borbulhar.	<ul style="list-style-type: none">• O frigorífico emite este som durante o processo de refrigeração, o que é normal.
Existe um mau cheiro no interior do frigorífico.	<ul style="list-style-type: none">• Verifique se não há comida estragada. Recomendamos que limpe o frigorífico regularmente e que retire os alimentos que estiverem ou que possam estar estragados.• Certifique-se de que os alimentos de cheiro forte estão embrulhados de modo a estarem hermeticamente fechados.
Forma-se gelo nas paredes interiores.	<ul style="list-style-type: none">• Certifique-se de que nenhum alimento está a bloquear as aberturas de ventilação do frigorífico. Também é importante dispor os alimentos de maneira uniforme para a ventilação.• Certifique-se de que a porta está corretamente fechada.
Forma-se condensação nas paredes interiores ou à volta dos vegetais.	<ul style="list-style-type: none">• Acontece quando os alimentos com elevado teor de água são armazenados a descoberto ou quando se deixa a porta aberta durante algum tempo.• Certifique-se de que os alimentos estão tapados ou colocados em recipientes herméticos.

SmartThings

Sintoma	Ação
Não foi possível encontrar a "SmartThings" no mercado das aplicações.	<ul style="list-style-type: none">A versão de software de suporte da aplicação SmartThings está sujeita a alterações de acordo com a política de suporte de SO que o fabricante fornece. Além disso, relativamente à aplicação SmartThings ou às funções que a aplicação suporta, a nova política de atualização de aplicações sobre a versão de SO existente pode ser suspensa por motivos de usabilidade ou de segurança.
A aplicação SmartThings não funciona.	<ul style="list-style-type: none">A aplicação SmartThings está disponível apenas para os modelos aplicáveis.A antiga aplicação Samsung Smart Refrigerator não se liga aos modelos Samsung Smart Home.
A aplicação SmartThings está instalada mas não está ligada ao meu frigorífico.	<ul style="list-style-type: none">Tem de iniciar sessão na sua conta Samsung para utilizar a aplicação.Confirme se o seu router está a funcionar normalmente.Se o ícone de Wi-Fi no visor do frigorífico estiver desligado, significa que ainda não foi estabelecida ligação à rede. Neste caso, utilize a aplicação SmartThings para ligar e registar o seu frigorífico ao ponto de acesso (AP) em sua casa.
Não consegui iniciar sessão na aplicação.	<ul style="list-style-type: none">Tem de iniciar sessão na sua conta Samsung para utilizar a aplicação.Se não tem uma conta Samsung, siga as instruções no ecrã da aplicação para criar uma.
É apresentada uma mensagem de erro quando tento registar o meu frigorífico.	<ul style="list-style-type: none">A funcionalidade Easy Connection (Ligação simples) pode falhar devido à distância a que se encontra do seu ponto de acesso (AP) ou à interferência elétrica do ambiente circundante. Espere um momento e tente novamente.
A aplicação SmartThings foi ligada com sucesso ao meu frigorífico mas não funciona.	<ul style="list-style-type: none">Saia e reinicie a aplicação SmartThings ou desligue e volte a ligar o router.Desligue o frigorífico e volte a ligá-lo após 1 minuto.
O ícone do Wi-Fi está a piscar. ()	<ul style="list-style-type: none">Ligue o frigorífico à aplicação SmartThings antes de utilizar. Se a ligação for bem feita, o ícone deixa de piscar.<ul style="list-style-type: none">Se não conseguir fazer a ligação ou não quiser utilizar a aplicação, carregue sem soltar o botão Fridge (Frigorífico) durante 10 segundos. O indicador deixa de piscar.

Apêndice

Instrução de segurança

- Para uma utilização mais eficiente da energia, mantenha todos os acessórios internos, tais como cestos, gavetas, prateleiras e cuvetes, na posição definida pelo fabricante.
- Este aparelho de refrigeração não se destina a ser utilizado como aparelho encastrado.

Instrução de instalação

Para aparelhos de refrigeração com classe climática

Dependendo da classe climática, este aparelho de refrigeração destina-se a ser utilizado no intervalo de temperaturas ambiente, como especificado na seguinte tabela.

A classe climática pode ser encontrada na placa sinalética. O produto poderá não funcionar corretamente a temperaturas fora do intervalo específico.

Pode encontrar a classe climática na etiqueta no interior do frigorífico

Intervalo de temperaturas efectivo

O frigorífico foi concebido para funcionar normalmente no intervalo de temperaturas especificado na respectiva placa de características.

Classe	Símbolo	Intervalo de temperaturas ambiente (°C)	
		IEC 62552 (ISO 15502)	ISO 8561
Temperada alargada	SN	+10 a +32	+10 a +32
Temperada	N	+16 a +32	+16 a +32
Subtropical	ST	+16 a +38	+18 a +38
Tropical	T	+16 a +43	+18 a +43

NOTA

O desempenho de refrigeração e o consumo de energia do frigorífico podem ser afectados pela temperatura ambiente, pela frequência de abertura da porta e pela localização do aparelho. Recomendamos o ajuste das definições de temperatura conforme adequado.

Instrução de temperatura

Temperatura recomendada

Definição de temperatura ótima para armazenamento de alimentos:

- Frigorífico: 3 °C
- Congelador: -19 °C
- Frigorífico de Conversão do congelador: 3 °C
- Modelos de botão: Definição de temperatura ideal para armazenamento de alimentos
- Frigorífico: 3ª posição (3 °C) / Congelador: 3ª posição (-19 °C)

NOTA

A definição de temperatura ideal para cada compartimento depende da temperatura ambiente. Esta temperatura ideal baseia-se numa temperatura ambiente de 25 °C.

Refrigeração rápida

O botão Refrigeração rápida permite acelerar o processo de refrigeração com a ventoinha na velocidade máxima. O frigorífico funciona à velocidade máxima durante duas horas e meia e depois regressa à temperatura anterior.

Congelação rápida

O botão Congelação rápida permite acelerar o processo de congelação com a ventoinha na velocidade máxima. O congelador funciona na velocidade máxima durante 50 horas e depois regressa à temperatura anterior. Para congelar uma grande quantidade de alimentos, ative a funcionalidade Congelação rápida durante, pelo menos, 20 horas antes de colocar os alimentos no congelador.

NOTA

Se utilizar esta função, o consumo de energia do frigorífico aumentará. Depois de utilizar esta função, certifique-se de que desliga o modo e repõe a definição de temperatura original do congelador.

Como guardar para melhor conservação (apenas nos modelos aplicáveis)

Tape os alimentos para reter a humidade e impedir que adquiram odores de outros alimentos. O conteúdo de uma panela grande de alimentos, tais como sopa ou guisado, deve ser dividido em pequenas porções e colocado em recipientes rasos antes de ser refrigerado. Uma peça grande de carne ou uma ave inteira deve ser dividida em pequenas porções ou colocada em recipientes rasos antes de ser refrigerada.

Apêndice

Colocação de alimentos

Prateleiras	As prateleiras devem ser ajustáveis para guardar uma grande variedade de embalagens.
Compartimento especializado (apenas nos modelos aplicáveis)	As gavetas dos vegetais herméticas proporcionam um ambiente de armazenamento otimizado para frutas e vegetais. Os vegetais requerem mais humidade, enquanto as frutas requerem menos humidade. Os compartimentos dos vegetais estão equipados com dispositivos para controlar o nível de humidade. (*Dependendo do modelo e das opções) Uma gaveta de carne com temperatura ajustável maximiza o tempo de armazenamento de carnes e queijos.
Armazenamento na porta	Não guarde os alimentos perecíveis na porta. Os ovos devem ser guardados na embalagem numa prateleira. A temperatura dos compartimentos de armazenamento na porta varia mais do que a temperatura no armário. Mantenha a porta fechada o máximo possível.
Compartimento do congelador	Pode guardar alimentos congelados, fazer cubos de gelo e congelar alimentos frescos no compartimento do congelador.

NOTA

Congele apenas alimentos frescos e em bom estado. Separe os alimentos a congelar dos alimentos que já estão congelados. Para evitar que os alimentos percam o seu sabor ou sequem, coloque-os em recipientes hermeticamente fechados.

Tabela de armazenamento do frigorífico e do congelador

A longevidade da frescura depende da temperatura e exposição à humidade. Uma vez que as datas dos produtos não são guias de utilização segura dos produtos, consulte esta tabela e siga estas sugestões.

Laticínios

Produto	Frigorífico	Congelador
Leite	1 semana	1 mês
Manteiga	2 semanas	12 meses
Gelado	-	2-3 semanas
Queijo natural	1 mês	4-6 meses
Queijo para barrar	2 semanas	Não recomendado
Iogurte	1 mês	-

Carne

Produto	Frigorífico	Congelador
Carne para assar, bifés e costeletas frescos	3-4 dias	2-3 meses
Carne picada fresca, guisado de carne	1-2 dias	3-4 meses
Bacon	7 dias	1 mês
Salsichas, carne crua de porco, vaca, peru	1-2 dias	1-2 meses

Aves/ovos

Produto	Frigorífico	Congelador
Aves frescas	2 dias	6-8 meses
Salada de aves	1 dia	-
Ovos frescos, com casca	2-4 semanas	Não recomendado

Peixe/marisco

Produto	Frigorífico	Congelador
Peixe fresco	1-2 dias	3-6 meses
Peixe cozinhado	3-4 dias	1 mês
Salada de peixe	1 dia	Não recomendado
Peixe seco ou marinado	3-4 semanas	-

Frutas

Produto	Frigorífico	Congelador
Maçãs	1 mês	-
Pêssegos	2-3 semanas	-
Ananás	1 semana	-
Outra fruta fresca	3-5 dias	9-12 meses

Apêndice

Vegetais

Produto	Frigorífico	Congelador
Espargos	2-3 dias	-
Brócolos, couves de Bruxelas, ervilhas, cogumelos	3-5 dias	-
Couve, couve-flor, aipo, pepinos, alface	1 semana	-
Cenouras, beterrabas, rabanetes	2 semanas	-

Informações sobre o modelo e a encomenda de peças de substituição

Informações sobre o modelo

Para aceder ao registo EPREL do modelo:

1. Aceda a <https://eprel.ec.europa.eu>
2. Obtenha o identificador do modelo no rótulo energético do produto e escreva-o na caixa de pesquisa
3. As informações de rotulagem energética do modelo são apresentadas

Informações sobre as peças

- O período mínimo durante o qual as peças de substituição, necessárias para a reparação do aparelho, estão disponíveis
 - 7 anos: termóstatos, sensores de temperatura, placas de circuitos impressos e fontes de luz, pegas das portas, dobradiças das portas, tabuleiros, cestos (caixas ou gavetas)
 - 10 anos: vedantes das portas
- A duração mínima da garantia do aparelho de refrigeração oferecida pelo fabricante é de 24 meses.
- Informações relevantes para a encomenda de peças de substituição, diretamente ou através de outros canais fornecidos pelo fabricante, importador ou representante autorizado
- Pode encontrar informações sobre reparação profissional em <http://samsung.com/support>. Pode encontrar o manual de serviço do utilizador em <http://samsung.com/support>.

Open Source Announcement

The software included in this product contains open source software.

The following URL http://opensource.samsung.com/opensource/SMART_TP2_0/seq/0 leads to open source license information as related to this product.



Memo

Memo

 **NOTA**

A Samsung declara, desta forma, que este equipamento de rádio está em conformidade com a Diretiva 2014/53/UE e com os requisitos legais relevantes no Reino Unido.

O texto integral da declaração de conformidade da UE e da declaração de conformidade do Reino Unido está disponível no seguinte endereço de Internet: A declaração de conformidade oficial encontra-se disponível em <http://www.samsung.com>. Aceda a Suporte > Página de produto e introduza o nome do modelo.

	Intervalo de frequências	Potência do transmissor (máx.)
Wi-Fi	2412 - 2472 MHz	20 dBm
Bluetooth	2402 - 2480 MHz	20 dBm

Contacte a Samsung Internacional

Se tem algumas dúvidas ou comentários sobre os nossos produtos, por favor contacte a linha de apoio a Clientes Samsung.

País	Centro de assistência	Website
CYPRUS	8009 4000 only from landline, toll free	www.samsung.com/gr/support
GREECE	80111-SAMSUNG (80111 726 7864) only from land line (+30) 210 6897691 from mobile and land line	
ITALIA	800-SAMSUNG (800.7267864)	www.samsung.com/it/support
PORTUGAL	210 608 098 Chamada para a rede fixa nacional Dias úteis das 9h às 20h	www.samsung.com/pt/support
SPAIN	91 175 00 15	www.samsung.com/es/support



DA68-03723H-00

Ψυγείο

Εγχειρίδιο χρήσης

RT58*/RT62*

Αυτόνομη συσκευή

SAMSUNG

Περιεχόμενα

Πληροφορίες για την ασφάλεια	4
Σημαντικά σύμβολα ασφαλείας και προφυλάξεις:	6
Σήματα σοβαρής προειδοποίησης για τη μεταφορά και την τοποθέτηση	6
Σοβαρές προειδοποιήσεις για την εγκατάσταση	7
Προφυλάξεις για την εγκατάσταση	10
Σοβαρές προειδοποιήσεις για τη χρήση	10
Προφυλάξεις για τη χρήση	15
Προφυλάξεις για τον καθαρισμό	17
Σοβαρές προειδοποιήσεις για την απόρριψη	19
Πρόσθετες συμβουλές για σωστή χρήση	20
Συμβουλές για την εξοικονόμηση ενέργειας	21
Αυτή η συσκευή προορίζεται για οικιακή χρήση και για άλλες παρόμοιες χρήσεις όπως:	21
Οδηγίες σχετικά με την ένδειξη WEEE	22
Εγκατάσταση	23
Επισκόπηση του ψυγείου	23
Εγκατάσταση βήμα προς βήμα	25
Λειτουργίες	29
Κύριος πίνακας	29
SmartThings	36
Ειδικές δυνατότητες	39
Συντήρηση	42
Χειρισμός και φροντίδα	42
Καθαρισμός	43
Αντικατάσταση	44
Αντιμέτωπιση προβλημάτων	45
Γενικά	45
SmartThings	47

Παράρτημα	48
Οδηγίες για την ασφάλεια	48
Οδηγίες εγκατάστασης	48
Οδηγίες για τη θερμοκρασία	49
Πληροφορίες για το μοντέλο και την παραγγελία ανταλλακτικών	52
Open Source Announcement	53



Πληροφορίες για την ασφάλεια

- Προτού χρησιμοποιήσετε το νέο σας ψυγείο Samsung, διαβάστε προσεκτικά αυτό το εγχειρίδιο για να διασφαλίσετε ότι γνωρίζετε πώς να αξιοποιήσετε τις δυνατότητες και τις λειτουργίες που προσφέρει η νέα σας συσκευή, με ασφάλεια και αποτελεσματικά.
- Αυτή η συσκευή δεν προορίζεται για χρήση από άτομα (συμπεριλαμβανομένων των παιδιών) με περιορισμένες σωματικές, αισθητηριακές ή νοητικές ικανότητες ή από άτομα με έλλειψη εμπειρίας και γνώσεων, εκτός αν βρίσκονται υπό την επίβλεψη ή ακολουθούν τις οδηγίες σχετικά με τη χρήση της συσκευής που δίνονται από ένα άτομο που είναι υπεύθυνο για την ασφάλειά τους.
- Αυτή η συσκευή μπορεί να χρησιμοποιηθεί από παιδιά ηλικίας 8 ετών και άνω και από άτομα με περιορισμένες σωματικές, αισθητηριακές ή νοητικές ικανότητες ή με έλλειψη εμπειρίας και γνώσεων, εφόσον βρίσκονται υπό επίβλεψη ή ακολουθούν οδηγίες σχετικά με τη χρήση της συσκευής με ασφαλή τρόπο και κατανοούν τους κινδύνους που ενέχονται. Τα παιδιά απαγορεύεται να παίζουν με τη συσκευή. Ο καθαρισμός και η συντήρηση από τον χρήστη δεν πρέπει να πραγματοποιούνται από παιδιά χωρίς επίβλεψη.
- Οι προειδοποιήσεις και οι σημαντικές οδηγίες για την ασφάλεια που περιλαμβάνονται σε αυτό το εγχειρίδιο δεν καλύπτουν όλες τις πιθανές συνθήκες και καταστάσεις που ενδέχεται να προκύψουν.
Αποτελεί δική σας ευθύνη να ακολουθείτε την κοινή λογική και να είστε προσεκτικοί κατά την εγκατάσταση, τη συντήρηση και τη χρήση της συσκευής.
- Επειδή οι παρακάτω οδηγίες λειτουργίας αφορούν διάφορα μοντέλα, τα χαρακτηριστικά του ψυγείου σας ενδέχεται να διαφέρουν ελαφρώς από εκείνα που περιγράφονται σε αυτό το εγχειρίδιο, ενώ ενδέχεται να μην ισχύουν όλα τα σήματα προειδοποίησης. Αν έχετε ερωτήσεις ή προβληματισμούς, επικοινωνήστε με το πλησιέστερο επισκευαστικό κέντρο ή αναζητήστε βοήθεια και πληροφορίες στο Διαδίκτυο, στη διεύθυνση www.samsung.com.
- Ως ψυκτικό μέσο χρησιμοποιείται το R-600a ή το R-134a. Ελέγξτε την ετικέτα του συμπιεστή στο πίσω μέρος της συσκευής ή την ετικέτα τεχνικών στοιχείων στο εσωτερικό του ψυγείου για να δείτε ποιο ψυκτικό μέσο χρησιμοποιείται για το δικό σας ψυγείο. Σε περίπτωση που αυτό το προϊόν περιέχει εύφλεκτο αέριο (ψυκτικό μέσο R-600a), επικοινωνήστε με την αρμόδια τοπική αρχή για να ενημερωθείτε σχετικά με τον ασφαλή τρόπο απόρριψης αυτού του προϊόντος.



- Προκειμένου να αποτραπεί η δημιουργία ενός εύφλεκτου μείγματος αερίου-αέρα αν προκύψει διαρροή στο κύκλωμα ψύξης, το μέγεθος του χώρου στον οποίο μπορεί να τοποθετηθεί η συσκευή εξαρτάται από τη χρησιμοποιούμενη ποσότητα ψυκτικού μέσου.
- Μη θέσετε ποτέ σε λειτουργία μια συσκευή που παρουσιάζει οποιαδήποτε ένδειξη ζημιάς. Αν έχετε αμφιβολίες, συμβουλευτείτε τον τοπικό αντιπρόσωπο. Ο χώρος πρέπει να έχει μέγεθος 1 m³ για κάθε 8 g ψυκτικού μέσου R-600a που υπάρχουν στο εσωτερικό της συσκευής.
Η ποσότητα ψυκτικού μέσου που υπάρχει στη δική σας συσκευή αναγράφεται στην πινακίδα αναγνώρισης στο εσωτερικό της συσκευής.
- Το πιτσίλισμα ψυκτικού μέσου από τους σωλήνες μπορεί να προκαλέσει ανάφλεξη ή τραυματισμό στα μάτια. Αν διαρρεύσει ψυκτικό μέσο από τον σωλήνα, αποφύγετε τυχόν γυμνές φλόγες, απομακρύνετε από το προϊόν οτιδήποτε εύφλεκτο και αερίστε αμέσως τον χώρο.
 - Διαφορετικά, ενδέχεται να προκληθεί πυρκαγιά ή έκρηξη.
- Είναι επικίνδυνο αυτή η συσκευή να επισκευάζεται από οποιοδήποτε άλλο άτομο εκτός του εξουσιοδοτημένου τεχνικού σέρβις.



ΠΡΟΕΙΔΟΠΟΙΗΣΗ: Κίνδυνος πυρκαγιάς / εύφλεκτα υλικά



Πληροφορίες για την ασφάλεια

Σημαντικά σύμβολα ασφαλείας και προφυλάξεις:

ΠΡΟΕΙΔΟΠΟΙΗΣΗ

Κίνδυνοι ή μη ασφαλείς πρακτικές που ενδέχεται να προκαλέσουν **σοβαρό τραυματισμό ή θάνατο**.

ΠΡΟΣΟΧΗ

Κίνδυνοι ή μη ασφαλείς πρακτικές που ενδέχεται να προκαλέσουν **ελαφρύ τραυματισμό ή υλικές ζημιές**.

Σκοπός αυτών των σημάτων προειδοποίησης είναι να μην τραυματιστείτε εσείς ή άλλοι άνθρωποι.

Ακολουθήστε τα σχολαστικά.

Αφού διαβάσετε αυτή την ενότητα, φυλάξτε την σε ασφαλές μέρος για μελλοντική αναφορά.

Σήματα σοβαρής προειδοποίησης για τη μεταφορά και την τοποθέτηση

ΠΡΟΕΙΔΟΠΟΙΗΣΗ

- Κατά τη μεταφορά και την εγκατάσταση της συσκευής, θα πρέπει να είστε προσεκτικοί προκειμένου να μην υποστεί ζημιά κανένα μέρος του κυκλώματος ψύξης.
 - Η διαρροή ψυκτικού μέσου από τους σωλήνες μπορεί να προκαλέσει ανάφλεξη ή τραυματισμό στα μάτια. Αν εντοπίσετε διαρροή, αποφύγετε τυχόν γυμνές φλόγες ή πιθανές πηγές ανάφλεξης και αερίστε για αρκετά λεπτά τον χώρο στον οποίο βρίσκεται η συσκευή.
 - Αυτή η συσκευή περιέχει ως ψυκτικό μέσο μια μικρή ποσότητα ισοβουτανίου (R-600a). Πρόκειται για ένα φυσικό αέριο με υψηλή περιβαλλοντική συμβατότητα, το οποίο ωστόσο είναι εύφλεκτο. Κατά τη μεταφορά και την εγκατάσταση της συσκευής, θα πρέπει να είστε προσεκτικοί προκειμένου να μην υποστεί ζημιά κανένα μέρος του κυκλώματος ψύξης.





Σοβαρές προειδοποιήσεις για την εγκατάσταση

ΠΡΟΕΙΔΟΠΟΙΗΣΗ

- Μην εγκαθιστάτε το ψυγείο σε χώρους με υγρασία ή σε μέρη όπου ενδέχεται να έρθει σε επαφή με νερό.
 - Η φθαρμένη μόνωση των ηλεκτρικών εξαρτημάτων ενδέχεται να προκαλέσει ηλεκτροπληξία ή πυρκαγιά.
- Μην τοποθετείτε αυτό το ψυγείο σε μέρος όπου εκτίθεται σε άμεσο ηλιακό φως ή στη θερμότητα που εκπέμπεται από σόμπες, καλοριφέρ ή άλλες συσκευές.
- Μην συνδέετε πολλές συσκευές στο ίδιο πολύπριζο. Το ψυγείο θα πρέπει πάντα να είναι συνδεδεμένο σε δική του πρίζα, με ονομαστική τιμή τάσης ίδια με την τάση που αναγράφεται στην πινακίδα τεχνικών στοιχείων του ψυγείου.
 - Με αυτόν τον τρόπο, εξασφαλίζεται η καλύτερη δυνατή απόδοση της συσκευής και αποτρέπεται η υπερφόρτωση των κυκλωμάτων καλωδίωσης της κατοικίας σας, γεγονός που θα μπορούσε να προκαλέσει κίνδυνο πυρκαγιάς λόγω υπερθέρμανσης των καλωδίων.
- Αν η πρίζα είναι χαλαρή, μη συνδέετε το φις τροφοδοσίας.
 - Υπάρχει κίνδυνος ηλεκτροπληξίας ή πυρκαγιάς.
- Μην χρησιμοποιείτε καλώδιο ρεύματος που παρουσιάζει ρωγμές ή ζημιά λόγω τριβής σε όλο το μήκος του ή σε οποιοδήποτε από τα άκρα του.
- Μην κάμπτετε υπερβολικά το καλώδιο ρεύματος και μην τοποθετείτε βαριά αντικείμενα επάνω του.
- Μην τραβάτε και μην κάμπτετε υπερβολικά το καλώδιο ρεύματος.
- Μην συστρέφετε και μη δένετε κόμπο το καλώδιο ρεύματος.
- Μην κρεμάτε το καλώδιο ρεύματος επάνω σε μεταλλικά αντικείμενα, μην τοποθετείτε βαριά αντικείμενα επάνω στο καλώδιο ρεύματος, μην τοποθετείτε το καλώδιο ρεύματος ανάμεσα σε αντικείμενα και μη σπρώχνετε το καλώδιο ρεύματος στον χώρο πίσω από τη συσκευή.
- Όταν μετακινείτε το ψυγείο, προσέχετε να μην αναποδογυρίσει και να μην υποστεί ζημιά το καλώδιο ρεύματος.
 - Ενδέχεται να προκληθεί ηλεκτροπληξία ή πυρκαγιά.





Πληροφορίες για την ασφάλεια

- Μην αποσυνδέετε ποτέ το ψυγείο από την πρίζα τραβώντας το καλώδιο ρεύματος. Να πιάνετε πάντα σταθερά το φις και να το τραβάτε κατευθείαν προς τα έξω από την πρίζα.
 - Τυχόν ζημιά στο καλώδιο ενδέχεται να προκαλέσει βραχυκύκλωμα, πυρκαγιά ή/και ηλεκτροπληξία.
- Μην αποθηκεύετε εκρηκτικά υλικά, όπως δοχεία αεροζόλ με εύφλεκτες προωθητικές ουσίες, σε αυτή τη συσκευή.
- Μην εγκαθιστάτε αυτή τη συσκευή κοντά σε καλοριφέρ ή σε εύφλεκτα υλικά.
- Μην εγκαθιστάτε αυτή τη συσκευή σε μέρη όπου ενδέχεται να διαρρεύσει αέριο.
 - Ενδέχεται να προκληθεί ηλεκτροπληξία ή πυρκαγιά.
- Πριν από τη χρήση, αυτό το ψυγείο πρέπει να τοποθετηθεί σε κατάλληλο σημείο και να εγκατασταθεί σύμφωνα με τις οδηγίες του παρόντος εγχειριδίου.
- Συνδέστε το φις τροφοδοσίας σωστά, με το καλώδιο να κρέμεται προς τα κάτω.
 - Αν συνδέσετε το φις τροφοδοσίας ανάποδα, μπορεί να κοπεί το καλώδιο και να προκληθεί πυρκαγιά ή ηλεκτροπληξία.
- Βεβαιωθείτε ότι το πίσω μέρος του ψυγείου δεν συνθλίβει ούτε προκαλεί ζημιά στο φις τροφοδοσίας.
- Φυλάτε τα υλικά συσκευασίας μακριά από παιδιά.
 - Αν ένα παιδί καλύψει το κεφάλι του με τα υλικά συσκευασίας, υπάρχει κίνδυνος θανάτου λόγω ασφυξίας.
- Η συσκευή πρέπει να τοποθετηθεί με τρόπο που να επιτρέπει την πρόσβαση στο φις μετά την εγκατάσταση.
 - Διαφορετικά, ενδέχεται να προκληθεί ηλεκτροπληξία ή πυρκαγιά λόγω διαρροής ρεύματος.
- Μην εγκαθιστάτε αυτή τη συσκευή σε χώρους με υγρασία, λάδια ή σκόνη ή σε μέρη που είναι εκτεθειμένα σε άμεσο ηλιακό φως ή σε νερό (σταγόνες βροχής).
 - Η φθαρμένη μόνωση των ηλεκτρικών εξαρτημάτων ενδέχεται να προκαλέσει ηλεκτροπληξία ή πυρκαγιά.
- Αν υπάρχει σκόνη ή νερό μέσα στο ψυγείο, αποσυνδέστε το φις τροφοδοσίας και επικοινωνήστε με το τοπικό επισκευαστικό κέντρο της Samsung Electronics.
 - Διαφορετικά, υπάρχει κίνδυνος πυρκαγιάς.



- Μην πατάτε επάνω στη συσκευή και μην τοποθετείτε αντικείμενα (όπως ρούχα, αναμμένα κεριά, αναμμένα τσιγάρα, πιάτα, χημικά, μεταλλικά αντικείμενα κ.λπ.) επάνω στη συσκευή.
 - Ενδέχεται να προκληθεί ηλεκτροπληξία, πυρκαγιά, προβλήματα με το προϊόν ή τραυματισμός.
- Προτού συνδέσετε για πρώτη φορά το προϊόν στην πρίζα, πρέπει να αφαιρέσετε όλη την προστατευτική πλαστική μεμβράνη.
- Τα παιδιά θα πρέπει να επιβλέπονται, ώστε να διασφαλίζεται ότι δεν παίζουν με τους δακτυλίους συγκράτησης που χρησιμοποιούνται για τη ρύθμιση της πόρτας ή τα κλιπ του σωλήνα νερού.
 - Αν ένα παιδί καταπιεί έναν δακτύλιο συγκράτησης ή ένα κλιπ του σωλήνα νερού, υπάρχει κίνδυνος θανάτου λόγω ασφυξίας. Φυλάτε τους δακτυλίους συγκράτησης και τα κλιπ του σωλήνα νερού μακριά από παιδιά.
- Το ψυγείο πρέπει να γειώνεται με ασφάλεια.
 - Προτού επιχειρήσετε να επιθεωρήσετε ή να επισκευάσετε οποιοδήποτε μέρος της συσκευής, να βεβαιώνετε πάντα ότι έχετε γειώσει το ψυγείο. Οι διαρροές ρεύματος μπορούν να προκαλέσουν ισχυρή ηλεκτροπληξία.
- Μη χρησιμοποιείτε ποτέ σωλήνες αερίου, τηλεφωνικές γραμμές ή άλλα αντικείμενα που μπορούν να λειτουργήσουν ως αλεξικέραυνα ως ηλεκτρική γείωση.
 - Πρέπει να γειώνετε το ψυγείο, προκειμένου να αποτρέψετε τυχόν διαρροή ηλεκτρικής ενέργειας ή ηλεκτροπληξία λόγω διαρροής ρεύματος από το ψυγείο.
 - Ενδέχεται να προκληθεί ηλεκτροπληξία, πυρκαγιά, έκρηξη ή προβλήματα με το προϊόν.
- Συνδέστε σταθερά το φις τροφοδοσίας στην πρίζα. Μη χρησιμοποιείτε φις τροφοδοσίας ή καλώδιο ρεύματος που έχει υποστεί ζημιά ούτε χαλαρή πρίζα.
 - Ενδέχεται να προκληθεί ηλεκτροπληξία ή πυρκαγιά.
- Αν το καλώδιο ρεύματος υποστεί ζημιά, φροντίστε να αντικατασταθεί αμέσως από τον κατασκευαστή ή το τμήμα επισκευών της αντιπροσωπείας του.



Πληροφορίες για την ασφάλεια

- Η ασφάλεια του ψυγείου πρέπει να αντικαθίσταται από εξειδικευμένο τεχνικό ή εταιρεία επισκευών.
 - Διαφορετικά, ενδέχεται να προκληθεί ηλεκτροπληξία ή τραυματισμός.
- Όταν τοποθετείτε τη συσκευή, βεβαιωθείτε ότι το καλώδιο ρεύματος δεν έχει παγιδευτεί και δεν έχει υποστεί ζημιά.
- Μην τοποθετείτε πολλαπλά φορητά πολύπριζα ή τροφοδοτικά στο πίσω μέρος της συσκευής.

Προφυλάξεις για την εγκατάσταση

ΠΡΟΣΟΧΗ

- Φροντίστε να υπάρχει αρκετός χώρος γύρω από το ψυγείο και εγκαταστήστε το σε επίπεδη επιφάνεια.
 - Διατηρείτε το άνοιγμα εξαερισμού που βρίσκεται στο περίβλημα ή στη βάση της συσκευής ελεύθερο από εμπόδια.
- Μετά την εγκατάσταση και την ενεργοποίηση, αφήστε τη συσκευή να λειτουργήσει για 2 ώρες προτού τη γεμίσετε με τρόφιμα.
- Συνιστούμε ιδιαίτερα το ψυγείο να εγκαθίσταται από εξειδικευμένο τεχνικό ή εταιρεία επισκευών.
 - Διαφορετικά, ενδέχεται να προκληθεί ηλεκτροπληξία, πυρκαγιά, έκρηξη, προβλήματα με το προϊόν ή τραυματισμός.
- Αν οποιαδήποτε από τις πόρτες υπερφορτωθεί, το ψυγείο μπορεί να πέσει και να προκληθεί τραυματισμός.

Σοβαρές προειδοποιήσεις για τη χρήση

ΠΡΟΕΙΔΟΠΟΙΗΣΗ

- Μη συνδέετε το φιν τροφοδοσίας στην πρίζα με υγρά χέρια.
 - Ενδέχεται να προκληθεί ηλεκτροπληξία.



- Μην αποθηκεύετε αντικείμενα στο επάνω μέρος της συσκευής.
 - Όταν ανοιγοκλείνετε την πόρτα, τα αντικείμενα ενδέχεται να πέσουν και να προκαλέσουν τραυματισμό ή/και υλικές ζημιές.
- Μην τοποθετείτε τα χέρια σας, τα πόδια σας ή μεταλλικά αντικείμενα (όπως μεταλλικές ράβδους κ.λπ.) στο κάτω ή στο πίσω μέρος του ψυγείου.
 - Ενδέχεται να προκληθεί ηλεκτροπληξία ή τραυματισμός.
 - Τυχόν αιχμηρές άκρες ενδέχεται να προκαλέσουν τραυματισμό.
- Μην αγγίζετε τα εσωτερικά τοιχώματα του καταψύκτη ή τα προϊόντα που φυλάσσονται στον καταψύκτη με υγρά χέρια.
 - Ενδέχεται να προκληθεί κρυοπάγημα.
- Μην τοποθετείτε δοχεία με νερό επάνω στο ψυγείο.
 - Αν χυθεί το νερό, υπάρχει κίνδυνος πυρκαγιάς ή ηλεκτροπληξίας.
- Μη διατηρείτε πτητικά ή εύφλεκτα αντικείμενα ή ουσίες (βενζόλιο, διαλυτικά, αέριο προπάνιο, οινόπνευμα, αιθέρα, υγραέριο και άλλα παρόμοια προϊόντα) μέσα στο ψυγείο.
 - Αυτό το ψυγείο προορίζεται αποκλειστικά για τη φύλαξη τροφίμων.
 - Ενδέχεται να προκληθεί πυρκαγιά ή έκρηξη.
- Τα παιδιά θα πρέπει να επιβλέπονται, ώστε να διασφαλίζεται ότι δεν παίζουν με τη συσκευή.
 - Κρατήστε τα δάχτυλά σας μακριά από σημεία όπου θα μπορούσαν να πιαστούν. Τα κενά ανάμεσα στις πόρτες και τον θάλαμο είναι αναγκαστικά μικρά. Αν υπάρχουν παιδιά στον χώρο, να είστε προσεκτικοί όταν ανοίγετε τις πόρτες.
- Μην αφήνετε τα παιδιά να κρέμονται από την πόρτα ή τα ράφια πόρτας. Ενδέχεται να προκληθεί σοβαρός τραυματισμός.
- Μην αφήνετε τα παιδιά να μπαίνουν μέσα στο ψυγείο. Μπορεί να παγιδευτούν.
- Μη βάζετε τα χέρια σας κάτω από τη συσκευή.
 - Τυχόν αιχμηρές άκρες ενδέχεται να προκαλέσουν τραυματισμό.
- Μη φυλάσσετε φαρμακευτικά προϊόντα, επιστημονικά υλικά ή θερμοευαίσθητα προϊόντα μέσα στο ψυγείο.
 - Τα προϊόντα που απαιτούν αυστηρό έλεγχο της θερμοκρασίας δεν πρέπει να φυλάσσονται στο ψυγείο.



Πληροφορίες για την ασφάλεια

- Μην τοποθετείτε και μη χρησιμοποιείτε ηλεκτρικές συσκευές μέσα στο ψυγείο/ καταψύκτη, εκτός αν πρόκειται για τύπο συσκευής που συνιστάται από τον κατασκευαστή.
- Αν μυρίσετε οσμή φαρμάκου ή καπνό, αποσυνδέστε αμέσως το φιντ τροφοδοσίας και επικοινωνήστε με το τοπικό επισκευαστικό κέντρο της Samsung Electronics.
- Αν υπάρχει σκόνη ή νερό μέσα στο ψυγείο, αποσυνδέστε το φιντ τροφοδοσίας και επικοινωνήστε με το τοπικό επισκευαστικό κέντρο της Samsung Electronics.
 - Διαφορετικά, υπάρχει κίνδυνος πυρκαγιάς.
- Μην αφήνετε τα παιδιά να πατούν επάνω σε συρτάρια.
 - Το συρτάρι ενδέχεται να σπάσει και μπορεί να σκοντάψουν.
- Μην αφήνετε ανοικτές τις πόρτες του ψυγείου ενόσω δεν το επιτηρείτε και μην αφήνετε τα παιδιά να μπαίνουν μέσα στο ψυγείο.
- Μην αφήνετε μωρά ή παιδιά να μπαίνουν μέσα στο συρτάρι.
 - Μπορεί να προκληθεί θάνατος λόγω ασφυξίας εξαιτίας παγίδευσης ή τραυματισμός.
- Μην παραγεμίζετε το ψυγείο με τρόφιμα.
 - Όταν ανοίγετε την πόρτα, κάποιο αντικείμενο ενδέχεται να πέσει και να προκαλέσει τραυματισμό ή υλικές ζημιές.
- Μην ψεκάζετε πτητικά υγρά όπως εντομοκτόνα στην επιφάνεια της συσκευής.
 - Είναι επιβλαβή για τους ανθρώπους και, επιπλέον, ενδέχεται να προκαλέσουν ηλεκτροπληξία, πυρκαγιά ή προβλήματα με το προϊόν.
- Μη χρησιμοποιείτε και μη τοποθετείτε ουσίες ευαίσθητες στη θερμοκρασία, όπως εύφλεκτα σπρέι, εύφλεκτα αντικείμενα, ξηρό πάγο, φάρμακα ή χημικά, κοντά ή μέσα στο ψυγείο.
- Μη χρησιμοποιείτε σεσουάρ για να στεγνώσετε το εσωτερικό του ψυγείου. Μην τοποθετείτε αναμμένα κεριά μέσα στο ψυγείο για την απομάκρυνση των δυσάρεστων οσμών.
 - Ενδέχεται να προκληθεί ηλεκτροπληξία ή πυρκαγιά.



- Γεμίζετε το δοχείο νερού, τον δίσκο πάγου και τις παγοθήκες μόνο με πόσιμο νερό (μεταλλικό ή απιονισμένο νερό).
 - Μη γεμίζετε το δοχείο με τσάι, χυμό ή ενεργειακό ποτό, καθώς ενδέχεται να προκληθεί ζημιά στο ψυγείο.
- Μην πατάτε επάνω στη συσκευή και μην τοποθετείτε αντικείμενα (όπως ρούχα, αναμμένα κεριά, αναμμένα τσιγάρα, πιάτα, χημικά, μεταλλικά αντικείμενα κ.λπ.) επάνω στη συσκευή. Ενδέχεται να προκληθεί ηλεκτροπληξία, πυρκαγιά, προβλήματα με το προϊόν ή τραυματισμός. Μην τοποθετείτε δοχεία με νερό επάνω στη συσκευή.
 - Αν χυθεί το νερό, υπάρχει κίνδυνος πυρκαγιάς ή ηλεκτροπληξίας.
- Μη χρησιμοποιείτε μηχανικές συσκευές ή οποιοδήποτε άλλο μέσο, εκτός από εκείνα που συνιστά ο κατασκευαστής, για να επιταχύνετε τη διαδικασία απόψυξης.
- Μην προκαλείτε ζημιές στο κύκλωμα του ψυκτικού μέσου.
- Μην κοιτάζετε ποτέ κατευθείαν τη λυχνία LED τύπου UV για μεγάλα χρονικά διαστήματα.
 - Ενδέχεται να προκληθεί ασθενοπία, εξαιτίας των υπεριωδών ακτίνων.
- Μην τοποθετείτε τα ράφια του ψυγείου ανάποδα. Δεν θα λειτουργεί η ασφάλεια των ραφιών.
 - Αν πέσει ένα γυάλινο ράφι, ενδέχεται να προκληθεί τραυματισμός.
- Κρατήστε τα δάχτυλά σας μακριά από σημεία όπου θα μπορούσαν να πιαστούν. Τα κενά ανάμεσα στις πόρτες και τον θάλαμο είναι αναγκαστικά μικρά. Αν υπάρχουν παιδιά στον χώρο, να είστε προσεκτικοί όταν ανοίγετε τις πόρτες.
- Αν εντοπίσετε διαρροή αερίου, αποφύγετε τυχόν γυμνές φλόγες ή πιθανές πηγές ανάφλεξης και αερίστε για αρκετά λεπτά τον χώρο στον οποίο βρίσκεται η συσκευή.
 - Μην αγγίζετε τη συσκευή ή το καλώδιο ρεύματος.
 - Μη χρησιμοποιείτε ανεμιστήρα εξαερισμού.
 - Μια σπίθα ενδέχεται να προκαλέσει έκρηξη ή πυρκαγιά.
- Χρησιμοποιείτε μόνο τις λυχνίες LED που παρέχονται από τον κατασκευαστή ή το τμήμα επισκευών της αντιπροσωπείας του.
- Τα μπουκάλια θα πρέπει να τοποθετούνται το ένα πολύ κοντά στο άλλο, ώστε να μην πέσουν έξω από το ψυγείο.



Πληροφορίες για την ασφάλεια

- Αυτό το προϊόν προορίζεται αποκλειστικά για τη φύλαξη τροφίμων σε οικιακό περιβάλλον.
- Μην επιχειρήσετε να επισκευάσετε, να αποσυναρμολογήσετε ή να τροποποιήσετε μόνοι σας το ψυγείο.
 - Μη εξουσιοδοτημένες τροποποιήσεις μπορούν να προκαλέσουν προβλήματα ασφαλείας. Για να αποκαταστήσουμε μια μη εξουσιοδοτημένη τροποποίηση, θα χρεώσουμε το πλήρες κόστος για τα εξαρτήματα και την εργασία.
- Μη χρησιμοποιείτε κανέναν άλλο τύπο ασφάλειας (όπως χαλκού, χαλύβδινου σύρματος κ.λπ.) εκτός από την τυπική ασφάλεια.
- Αν το ψυγείο χρειάζεται να επισκευαστεί ή να μετεγκατασταθεί, επικοινωνήστε με το πλησιέστερο επισκευαστικό κέντρο.
 - Διαφορετικά, ενδέχεται να προκληθεί ηλεκτροπληξία, πυρκαγιά, προβλήματα με το προϊόν ή τραυματισμός.
- Αν η εσωτερική ή η εξωτερική λυχνία LED σταματήσει να λειτουργεί, επικοινωνήστε με το πλησιέστερο επισκευαστικό κέντρο.
- Αν βγαίνει μυρωδιά καμένου ή καπνός από το ψυγείο, αποσυνδέστε το από την πρίζα και επικοινωνήστε με το τοπικό επισκευαστικό κέντρο της Samsung Electronics.
 - Διαφορετικά, ενδέχεται να προκληθεί ηλεκτροπληξία ή πυρκαγιά.
- Προτού αντικαταστήσετε τις εσωτερικές λυχνίες του ψυγείου, αποσυνδέστε το φως τροφοδοσίας από την πρίζα.
 - Διαφορετικά, υπάρχει κίνδυνος ηλεκτροπληξίας.
- Αν αντιμετωπίσετε δυσκολίες με την αντικατάσταση μιας λυχνίας που δεν είναι τύπου LED, επικοινωνήστε με ένα επισκευαστικό κέντρο της Samsung.
- Αν το προϊόν διαθέτει λυχνίες LED, μην αποσυναρμολογείτε μόνοι σας τα καλύμματα λυχνιών και τις λυχνίες LED.
 - Επικοινωνήστε με ένα επισκευαστικό κέντρο της Samsung.
- Συνδέστε σταθερά το φως τροφοδοσίας στην πρίζα.
- Μη χρησιμοποιείτε φως τροφοδοσίας ή καλώδιο ρεύματος που έχει υποστεί ζημιά ούτε χαλαρή πρίζα.
 - Ενδέχεται να προκληθεί ηλεκτροπληξία ή πυρκαγιά.



Προφυλάξεις για τη χρήση

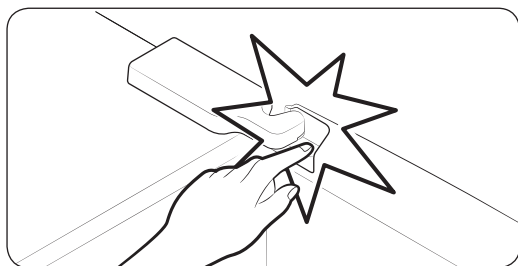
ΠΡΟΣΟΧΗ

- Μην καταψύχετε ξανά κατεψυγμένα τρόφιμα που έχουν ξεπαγώσει εντελώς. Μην τοποθετείτε ανθρακούχα ή αεριούχα ποτά στον θάλαμο του καταψύκτη. Μην τοποθετείτε μπουκάλια ή γυάλινα δοχεία στον καταψύκτη.
 - Όταν το περιεχόμενο παγώσει, το γυαλί ενδέχεται να σπάσει και να προκαλέσει τραυματισμό.
- Χρησιμοποιείτε μόνο τον παρασκευαστή πάγου που παρέχεται με το ψυγείο.
- Για την καλύτερη δυνατή απόδοση του προϊόντος:
 - Μην τοποθετείτε τρόφιμα πολύ κοντά στα ανοίγματα εξαερισμού που βρίσκονται στο πίσω μέρος του ψυγείου, καθώς μπορεί να εμποδίσουν την ελεύθερη κυκλοφορία του αέρα στον θάλαμο του ψυγείου.
 - Τυλίγετε σωστά τα τρόφιμα ή τοποθετείτε τα σε αεροστεγή δοχεία, προτού τα βάλετε στο ψυγείο.
 - Μην τοποθετείτε γυάλινα μπουκάλια ή ανθρακούχα ποτά μέσα στον καταψύκτη. Μπορεί να παγώσουν και να σπάσουν. Τα σπασμένα δοχεία ποτών μπορούν να προκαλέσουν τραυματισμό.
 - Τηρείτε τους μέγιστους χρόνους φύλαξης και τις ημερομηνίες λήξης των κατεψυγμένων προϊόντων.
- Μην τοποθετείτε ποτήρια, μπουκάλια ή ανθρακούχα ποτά μέσα στον καταψύκτη.
 - Το δοχείο ενδέχεται να παγώσει και να σπάσει, καθώς και να προκαλέσει τραυματισμό.
- Μην τοποθετείτε ανθρακούχα ή αεριούχα ποτά στον θάλαμο του καταψύκτη. Μην τοποθετείτε μπουκάλια ή γυάλινα δοχεία στον καταψύκτη.
 - Όταν το περιεχόμενο παγώσει, το γυαλί ενδέχεται να σπάσει και να προκαλέσει τραυματισμό και υλικές ζημιές.



Πληροφορίες για την ασφάλεια

- Εγγύηση επισκευής και τροποποιήσεις
 - Οποιοσδήποτε αλλαγές ή τροποποιήσεις εκτελούνται από τρίτους σε αυτή την ολοκληρωμένη συσκευή δεν καλύπτονται από την εγγύηση επισκευής της Samsung και η Samsung δεν ευθύνεται για προβλήματα ασφαλείας που προκύπτουν εξαιτίας τροποποιήσεων από τρίτους.
- Μη φράζετε τα ανοίγματα εξαερισμού στο εσωτερικό του ψυγείου.
 - Αν τα ανοίγματα εξαερισμού είναι φραγμένα, ειδικά με πλαστική σακούλα, το ψυγείο μπορεί να ψυχθεί υπερβολικά. Αν μια περίοδος ψύξης έχει πολύ μεγάλη διάρκεια, το φίλτρο νερού ενδέχεται να σπάσει και να προκληθεί διαρροή νερού.
- Χρησιμοποιείτε μόνο τον παρασκευαστή πάγου που παρέχεται με το ψυγείο.
- Σκουπίστε την περίσσεια υγρασίας από το εσωτερικό του ψυγείου και αφήστε τις πόρτες ανοιχτές.
 - Διαφορετικά, ενδέχεται να δημιουργηθούν οσμές και μούχλα.
- Αν το ψυγείο αποσυνδεθεί από την παροχή ρεύματος, θα πρέπει να περιμένετε για τουλάχιστον πέντε λεπτά προτού το συνδέσετε ξανά στην πρίζα.
- Αν το ψυγείο βραχεί με νερό, αποσυνδέστε το φινιτροφοδοσίας και επικοινωνήστε με το τοπικό επισκευαστικό κέντρο της Samsung Electronics.
- Μη χτυπάτε και μην ασκείτε υπερβολική δύναμη σε καμία γυάλινη επιφάνεια.
 - Το σπασμένο γυαλί ενδέχεται να προκαλέσει τραυματισμό ή/και υλικές ζημιές.
- Γεμίζετε το δοχείο νερού και τον δίσκο πάγου μόνο με πόσιμο νερό (νερό βρύσης, μεταλλικό νερό ή απιονισμένο νερό).
 - Μη γεμίζετε το δοχείο με τσάι ή ενεργειακό ποτό. Ενδέχεται να προκληθεί ζημιά στο ψυγείο.



- Προσέχετε να μην πιαστούν τα δάχτυλά σας στην πόρτα του ψυγείου.



- Αν οι πόρτες του καταψύκτη και του ψυγείου μείνουν ανοικτές για 2 ή περισσότερα δευτερόλεπτα, οι λυχνίες στον καταψύκτη και στο ψυγείο μπορεί να σβήσουν.
 - Οι λυχνίες θα ανάψουν ξανά όταν οι πόρτες κλείσουν και ανοίξουν ξανά.
- Αν το ψυγείο πλημμυρίσει με νερό, φροντίστε να επικοινωνήσετε με το πλησιέστερο επισκευαστικό κέντρο.
 - Υπάρχει κίνδυνος ηλεκτροπληξίας ή πυρκαγιάς.
- Μην αποθηκεύετε φυτικό λάδι στα ράφια της πόρτας του ψυγείου σας. Το λάδι μπορεί να στερεοποιηθεί, να αποκτήσει κακή γεύση και να είναι δύσκολο να χρησιμοποιηθεί. Επιπλέον, το ανοιχτό δοχείο μπορεί να έχει διαρροή και το λάδι που θα διαρρεύσει να προκαλέσει ρωγμή στο ράφι της πόρτας. Αφού ανοίξετε ένα δοχείο λαδιού, καλύτερα να διατηρείτε το δοχείο σε δροσερό και σκιερό χώρο, όπως ένα ντουλάπι ή μια τροφοθήκη.
 - Παραδείγματα φυτικού λαδιού: ελαιόλαδο, καλαμποκέλαιο, σταφυλέλαιο κ.λπ.

Προφυλάξεις για τον καθαρισμό

ΠΡΟΣΟΧΗ

- Μην ψεκάζετε νερό κατευθείαν επάνω στην εσωτερική ή στην εξωτερική επιφάνεια του ψυγείου.
 - Υπάρχει κίνδυνος πυρκαγιάς ή ηλεκτροπληξίας.
- Μη χρησιμοποιείτε σεσουάρ για να στεγνώσετε το εσωτερικό του ψυγείου.
- Μην τοποθετείτε αναμμένα κεριά μέσα στο ψυγείο για να απομακρύνετε τις δυσάρεστες οσμές.
 - Ενδέχεται να προκληθεί ηλεκτροπληξία ή πυρκαγιά.
- Μην ψεκάζετε καθαριστικά προϊόντα κατευθείαν επάνω στην οθόνη.
 - Τα γράμματα που είναι τυπωμένα στην οθόνη ενδέχεται να σβηστούν.
- Αν εισχωρήσει στη συσκευή οποιαδήποτε ξένη ουσία όπως το νερό, αποσυνδέστε το φως τροφοδοσίας από την πρίζα και επικοινωνήστε με το πλησιέστερο επισκευαστικό κέντρο.
 - Διαφορετικά, ενδέχεται να προκληθεί ηλεκτροπληξία ή πυρκαγιά.



Πληροφορίες για την ασφάλεια

- Χρησιμοποιήστε ένα καθαρό και στεγνό πανί για να απομακρύνετε τυχόν ξένα σώματα ή σκόνη από τους ακροδέκτες του φινιρίσματος. Μη χρησιμοποιείτε υγρό ή νοτισμένο πανί κατά τον καθαρισμό του φινιρίσματος.
 - Διαφορετικά, υπάρχει κίνδυνος πυρκαγιάς ή ηλεκτροπληξίας.
- Μην ψεκάζετε νερό κατευθείαν επάνω στη συσκευή για να την καθαρίσετε.
- Μη χρησιμοποιείτε βενζόλιο, διαλυτικό, λευκαντικό ή χλώριο για τον καθαρισμό.
 - Ενδέχεται να προκαλέσουν ζημιά στην επιφάνεια της συσκευής, καθώς και πυρκαγιά.
- Μη βάζετε ποτέ τα δάχτυλά σας ή άλλα αντικείμενα στην οπή του διανεμητή.
 - Ενδέχεται να προκληθεί τραυματισμός ή υλικές ζημιές.
- Πριν από τον καθαρισμό ή τις εργασίες συντήρησης, να αποσυνδέετε τη συσκευή από την πρίζα.
 - Διαφορετικά, ενδέχεται να προκληθεί ηλεκτροπληξία ή πυρκαγιά.
- Χρησιμοποιήστε ένα καθαρό σφουγγάρι ή μαλακό πανί και ήπιο απορρυπαντικό σε ζεστό νερό για να καθαρίσετε το ψυγείο.
- Μη χρησιμοποιείτε λειαντικά ή σκληρά καθαριστικά, όπως σπρέι καθαρισμού υαλοπινάκων, καθαριστικά αποτριβής, εύφλεκτα υγρά, υδροχλωρικό οξύ, κεριά καθαρισμού, συμπυκνωμένα καθαριστικά, χλωρίνες ή καθαριστικά που περιέχουν προϊόντα του πετρελαίου στις εξωτερικές επιφάνειες (πόρτες και θάλαμο), τα πλαστικά μέρη, τις επενδύσεις της πόρτας και τις εσωτερικές επενδύσεις και τα παρεμβύσματα.
 - Αυτά ενδέχεται να προκαλέσουν γρατσουνιές ή ζημιές στο υλικό.
- Μην καθαρίζετε τα γυάλινα ράφια ή τα καλύμματα με ζεστό νερό όταν είναι κρύα. Τα γυάλινα ράφια και τα καλύμματα ενδέχεται να σπάσουν αν εκτεθούν σε απότομες αλλαγές θερμοκρασίας ή κρούσεις, όπως χτυπήματα ή πτώσεις.





Σοβαρές προειδοποιήσεις για την απόρριψη

ΠΡΟΕΙΔΟΠΟΙΗΣΗ

- Απορρίψτε τα υλικά συσκευασίας αυτού του προϊόντος με τρόπο φιλικό προς το περιβάλλον.
- Πριν από την απόρριψη, βεβαιωθείτε ότι δεν έχει υποστεί ζημιά κανένας από τους σωλήνες που βρίσκονται στο πίσω μέρος του ψυγείου.
- Ως ψυκτικό μέσο χρησιμοποιείται το R-600a ή το R-134a. Ελέγξτε την ετικέτα του συμπιεστή στο πίσω μέρος της συσκευής ή την ετικέτα τεχνικών στοιχείων στο εσωτερικό του ψυγείου για να δείτε ποιο ψυκτικό μέσο χρησιμοποιείται για το δικό σας ψυγείο. Σε περίπτωση που αυτό το ψυγείο περιέχει εύφλεκτο αέριο (ψυκτικό μέσο R-600a), επικοινωνήστε με την αρμόδια τοπική αρχή για να ενημερωθείτε σχετικά με τον ασφαλή τρόπο απόρριψης αυτού του προϊόντος.
- Κατά την απόρριψη αυτού του ψυγείου, αφαιρέστε την πόρτα/στεγανοποιητικά πόρτας και το σύστημα μανδάλωσης της πόρτας, έτσι ώστε να μην μπορεί να παγιδευτεί κάποιο μικρό παιδί ή ζώο στο εσωτερικό του. Τα παιδιά θα πρέπει να επιβλέπονται, ώστε να διασφαλίζεται ότι δεν παίζουν με τη συσκευή. Αν παγιδευτεί μέσα κάποιο παιδί, ενδέχεται να τραυματιστεί και να πεθάνει από ασφυξία.
 - Αν παγιδευτεί μέσα κάποιο παιδί, ενδέχεται να τραυματιστεί και να πεθάνει από ασφυξία.
- Στη μόνωση χρησιμοποιείται κυκλοπεντάνιο. Για τα αέρια που περιέχονται στο μονωτικό υλικό απαιτείται ειδική διαδικασία απόρριψης. Επικοινωνήστε με τις αρμόδιες τοπικές αρχές για να ενημερωθείτε σχετικά με τον περιβαλλοντικά ασφαλή τρόπο απόρριψης αυτού του προϊόντος.
- Φυλάξτε όλα τα υλικά συσκευασίας μακριά από παιδιά, καθώς μπορούν να είναι επικίνδυνα για τα παιδιά.
 - Αν ένα παιδί καλύψει το κεφάλι του με μια σακούλα, μπορεί να πάθει ασφυξία.





Πληροφορίες για την ασφάλεια

Πρόσθετες συμβουλές για σωστή χρήση

- Σε περίπτωση διακοπής ρεύματος, καλέστε το τοπικό γραφείο της εταιρείας παροχής ηλεκτρικού ρεύματος με την οποία συνεργάζεστε και ρωτήστε πόσο θα διαρκέσει η διακοπή.
 - Οι περισσότερες διακοπές ρεύματος που αποκαθίστανται σε μία ή δύο ώρες δεν θα επηρεάσουν τη θερμοκρασία του ψυγείου σας. Ωστόσο, θα πρέπει να ανοίγετε την πόρτα όσο το δυνατόν λιγότερο κατά τη διάρκεια της διακοπής ρεύματος.
 - Αν τυχόν η διακοπή ρεύματος διαρκέσει περισσότερο από 24 ώρες, απομακρύνετε και απορρίψτε όλα τα κατεψυγμένα τρόφιμα.
- Αν τοποθετηθεί για παρατεταμένο χρονικό διάστημα σε μέρος στο οποίο η θερμοκρασία περιβάλλοντος είναι συνεχώς χαμηλότερη από τις θερμοκρασίες για τις οποίες έχει σχεδιαστεί η συσκευή, το ψυγείο ενδέχεται να μη λειτουργεί αξιόπιστα (μπορεί να ξεπαγώσουν τα κατεψυγμένα προϊόντα που περιέχει ή μπορεί να είναι πολύ υψηλή η θερμοκρασία στον θάλαμο κατεψυγμένων τροφίμων).
- Σε περίπτωση ευαίσθητων τροφίμων, το να διατηρούνται υπό ψύξη μπορεί να επηρεάσει αρνητικά τη συντήρησή τους, λόγω των ιδιοτήτων τους.
- Η συσκευή σας είναι «frost free», γεγονός που σημαίνει ότι δεν χρειάζεται να την αποψύξετε. Αυτή η διαδικασία εκτελείται αυτόματα.
- Η αύξηση της θερμοκρασίας κατά την απόψυξη συμμορφώνεται με τις απαιτήσεις ISO. Αν θέλετε να αποτρέψετε υπερβολική αύξηση της θερμοκρασίας των κατεψυγμένων τροφίμων κατά την απόψυξη της συσκευής, τυλίξτε τα κατεψυγμένα τρόφιμα σε αρκετά φύλλα εφημερίδας.
- Μην καταψύχετε ξανά κατεψυγμένα τρόφιμα που έχουν ξεπαγώσει εντελώς.
- Η θερμοκρασία στους χώρους με τα δύο αστέρια ή στους θαλάμους με το σύμβολο των δύο αστεριών (**) είναι ελαφρώς υψηλότερη από εκείνη στους άλλους θαλάμους του καταψύκτη.

Η θέση των χώρων ή των θαλάμων με τα δύο αστέρια βασίζεται στις οδηγίες ή/και στην κατάσταση κατά την παράδοση.



Συμβουλές για την εξοικονόμηση ενέργειας

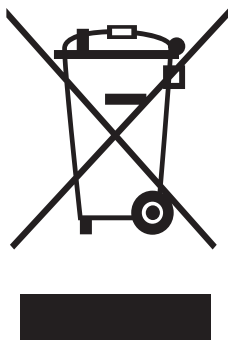
- Εγκαταστήστε τη συσκευή σε δροσερό και ξηρό χώρο με επαρκή εξαερισμό. Βεβαιωθείτε ότι δεν εκτίθεται σε άμεσο ηλιακό φως και μην την τοποθετείτε ποτέ κοντά σε άμεση πηγή θερμότητας (για παράδειγμα, καλοριφέρ).
- Για υψηλότερη ενεργειακή απόδοση, συνιστάται να μη φράζετε κανένα από τα ανοίγματα εξαερισμού και τις γρίλιες.
- Αφήνετε τα ζεστά τρόφιμα να κρυώσουν προτού τα τοποθετήσετε μέσα στη συσκευή.
- Τοποθετείτε τα κατεψυγμένα τρόφιμα στο ψυγείο για να ξεπαγώσουν. Στη συνέχεια, μπορείτε να χρησιμοποιήσετε τις χαμηλές θερμοκρασίες των κατεψυγμένων προϊόντων για να ψύξετε τα τρόφιμα που βρίσκονται στο ψυγείο.
- Μην αφήνετε την πόρτα του ψυγείου ανοικτή για πολλή ώρα όταν βάζετε ή βγάζετε τρόφιμα. Όσο λιγότερη ώρα μείνει ανοικτή η πόρτα, τόσο λιγότερος πάγος θα δημιουργηθεί στον καταψύκτη.
- Συνιστάται να εγκαθιστάτε το ψυγείο αφήνοντας χώρο στο πίσω μέρος και στα πλάγια. Με αυτόν τον τρόπο, θα μειωθεί η κατανάλωση ενέργειας και ο λογαριασμός του ηλεκτρικού ρεύματος θα διατηρείται σε χαμηλά επίπεδα.
- Για πιο αποδοτική χρήση ενέργειας, να αφήνετε όλα τα εσωτερικά εξαρτήματα όπως καλάθια, συρτάρια και ράφια στη θέση που προβλέπεται από τον κατασκευαστή.

Αυτή η συσκευή προορίζεται για οικιακή χρήση και για άλλες παρόμοιες χρήσεις όπως:

- χρήση σε χώρους κουζίνας προσωπικού καταστημάτων, γραφείων και σε άλλα εργασιακά περιβάλλοντα,
- χρήση σε αγροικίες και από πελάτες σε ξενοδοχεία, μοτέλ και σε άλλα οικιστικά περιβάλλοντα,
- χρήση σε περιβάλλοντα τύπου πανσιόν,
- χρήση για επισιτισμό και άλλες παρόμοιες χρήσεις που δεν σχετίζονται με τη λιανική πώληση.

Πληροφορίες για την ασφάλεια

Οδηγίες σχετικά με την ένδειξη WEEE



Σωστή απόρριψη αυτού του προϊόντος (Απόβλητα ηλεκτρικού και ηλεκτρονικού εξοπλισμού)

(Ισχύει για χώρες με συστήματα χωριστής αποκομιδής)

Αυτή η ένδειξη επάνω στο προϊόν, στα εξαρτήματα ή στα συνοδευτικά έντυπα υποδεικνύει ότι το προϊόν και τα ηλεκτρονικά του εξαρτήματα (π.χ. φορτιστής, ακουστικά, καλώδιο USB) δεν θα πρέπει να απορρίπτονται μαζί με άλλα οικιακά απορρίμματα, όταν παρέλθει η διάρκεια ζωής τους. Για να αποτραπεί πιθανή βλάβη στο περιβάλλον ή στην ανθρώπινη υγεία από την ανεξέλεγκτη απόρριψη των αποβλήτων, να διαχωρίζετε αυτά τα αντικείμενα από τους άλλους τύπους αποβλήτων και να τα ανακυκλώνετε υπεύθυνα, ώστε να συμβάλλετε στην αειφόρο επαναχρησιμοποίηση των υλικών πόρων.

Οι οικιακοί χρήστες θα πρέπει να επικοινωνήσουν είτε με τον έμπορο λιανικής από τον οποίο αγόρασαν αυτό το προϊόν είτε με το τοπικό γραφείο της αρμόδιας κρατικής υπηρεσίας, για λεπτομέρειες σχετικά με το πού και πώς μπορούν να παραδώσουν αυτά τα αντικείμενα για περιβαλλοντικά ασφαλή ανακύκλωση.

Οι επιχειρηματικοί χρήστες θα πρέπει να επικοινωνήσουν με τον προμηθευτή τους και να ελέγξουν τους όρους και τις προϋποθέσεις της σύμβασης αγοράς. Αυτό το προϊόν και τα ηλεκτρονικά του εξαρτήματα δεν θα πρέπει να αναμειγνύονται με άλλα εμπορικά απόβλητα κατά την απόρριψή τους.

Για πληροφορίες σχετικά με τις δεσμεύσεις της Samsung αναφορικά με την προστασία του περιβάλλοντος και τις κανονιστικές υποχρεώσεις για τα προϊόντα, π.χ. τις οδηγίες REACH, WEEE και τις οδηγίες σχετικά με τις μπαταρίες, επισκεφτείτε τη σελίδα μας σχετικά με την αειφορία στη διαδικτυακή τοποθεσία www.samsung.com

(Μόνο για προϊόντα που πωλούνται σε ευρωπαϊκές χώρες και στο Ηνωμένο Βασίλειο)

Εγκατάσταση

Ακολουθήστε προσεκτικά αυτές τις οδηγίες, για να διασφαλίσετε τη σωστή εγκατάσταση αυτού του ψυγείου και να αποφύγετε τα ατυχήματα πριν από τη χρήση του.

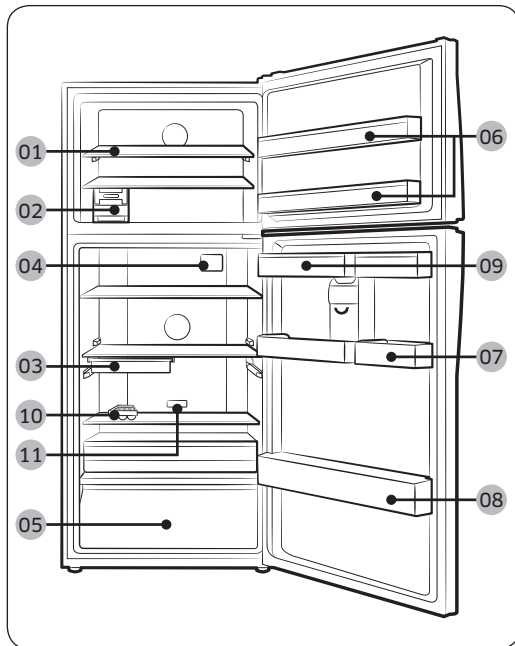
⚠ ΠΡΟΕΙΔΟΠΟΙΗΣΗ

- Χρησιμοποιείτε το ψυγείο μόνο για τον σκοπό για τον οποίο προορίζεται, όπως περιγράφεται σε αυτό το εγχειρίδιο.
- Οποιοσδήποτε εργασίες επισκευής πρέπει να εκτελούνται από εξειδικευμένο τεχνικό.
- Απορρίψτε τα υλικά συσκευασίας του προϊόντος σύμφωνα με τους τοπικούς κανονισμούς.

Επισκόπηση του ψυγείου

📄 ΣΗΜΕΙΩΣΗ

Η πραγματική εμφάνιση και τα παρεχόμενα εξαρτήματα του ψυγείου ενδέχεται να διαφέρουν, ανάλογα με το μοντέλο και τη χώρα.

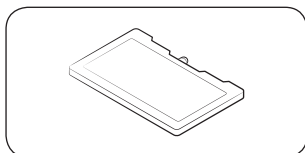


- 01 Ράφι καταψύκτη
- 02 Παρασκευαστής πάγου
- 03 Συρτάρι ντελικατέσεν *
- 04 Αντιβακτηριακή προστασία *
- 05 Δοχείο φρούτων *
- 06 Ράφι καταψύκτη
- 07 Ράφι πολλαπλής χρήσης
- 08 Ράφι μπουκαλιών
- 09 Δοχείο νερού *
- 10 Αυγοθήκη
- 11 Διάταξη εξουδετέρωσης οσμών *

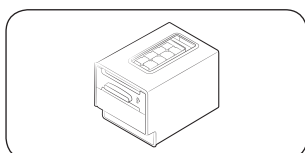
* μόνο για τα κατάλληλα μοντέλα

Εγκατάσταση

Προαιρετικά εξαρτήματα *



Παγοκύστη: Βοηθά το ψυγείο να διατηρείται κρύο.



Περιστρεφόμενος παρασκευαστής πάγου: Χρησιμοποιείται για την παρασκευή πάγου.

* Το ψυγείο σας ενδέχεται να μην περιλαμβάνει τα προαιρετικά εξαρτήματα που αναφέρονται παραπάνω. Η διαθεσιμότητα των προαιρετικών εξαρτημάτων εξαρτάται από το μοντέλο και τη χώρα.

Για να εξασφαλίσετε περισσότερο χώρο φύλαξης στον θάλαμο καταψύκτη

Αφαιρέστε τον παρασκευαστή πάγου, ο οποίος μπορεί να αποσπαστεί χειροκίνητα, χωρίς εργαλείο.

- Η αφαίρεση του παρασκευαστή πάγου δεν επηρεάζει τη θερμική και μηχανική απόδοση του καταψύκτη.

Για την υψηλότερη δυνατή ενεργειακή απόδοση, βεβαιωθείτε ότι όλα τα ράφια, τα συρτάρια και τα καλάθια βρίσκονται στην αρχική τους θέση.

Εγκατάσταση βήμα προς βήμα

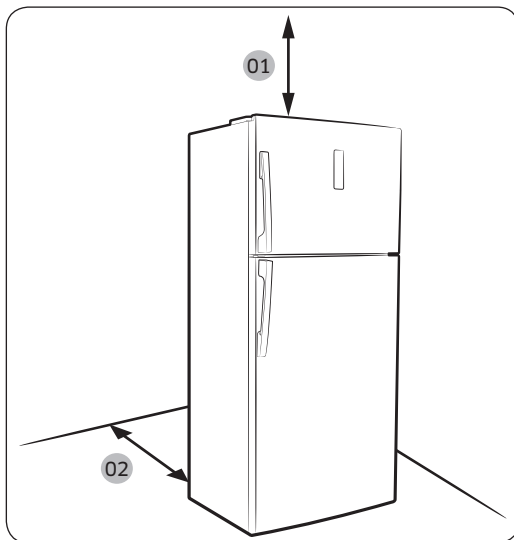
ΒΗΜΑ 1 Επιλέξτε μια θέση

Απαιτήσεις θέσης:

- Γερή και επίπεδη επιφάνεια χωρίς χαλί ή υλικό δαπέδου που ενδέχεται να εμποδίσει τον εξαερισμό
- Μακριά από άμεσο ηλιακό φως
- Επαρκής χώρος για άνοιγμα και κλείσιμο της πόρτας
- Μακριά από πηγές θερμότητας
- Χώρος για συντήρηση και επισκευή
- Εύρος θερμοκρασίας: μεταξύ 10 °C και 43 °C

Διάκενο

Για τις απαιτήσεις χώρου της εγκατάστασης, ανατρέξτε στις εικόνες και τον πίνακα παρακάτω.



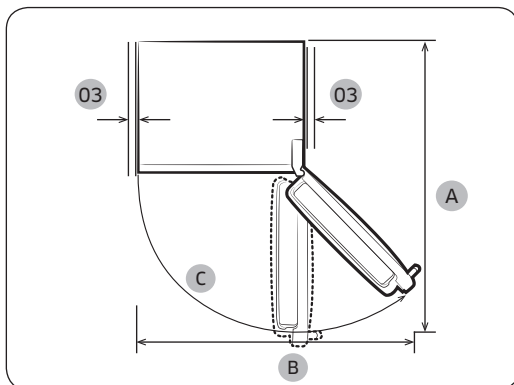
Μοντέλο	A	B	C
RT58	1507	1352	120°
RT62	1507	1352	120°

(μονάδες: mm)

01 100 mm

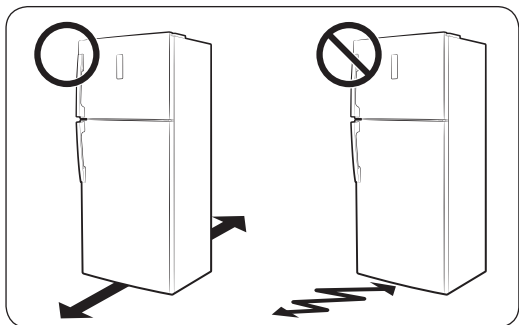
02 50 mm

03 τουλάχιστον 50 mm



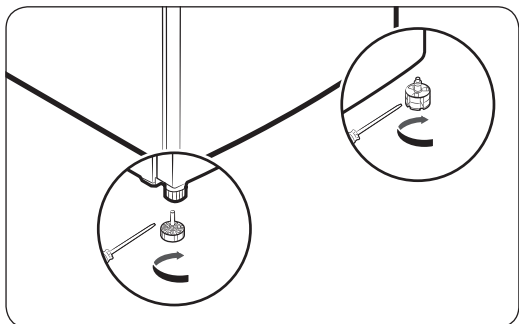
Εγκατάσταση

ΒΗΜΑ 2 Δάπεδο

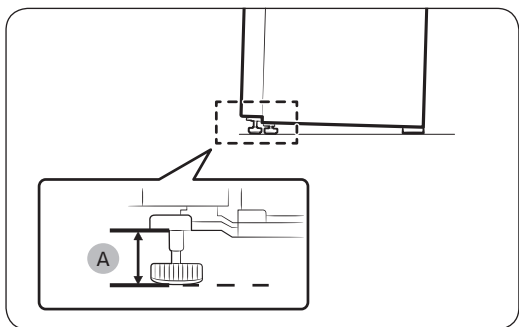


- Η επιφάνεια στην οποία θα εγκατασταθεί το ψυγείο πρέπει να αντέχει το βάρος ενός γεμάτου ψυγείου, δηλαδή περίπου 100 kg.
- Για να προστατεύσετε το δάπεδο, τοποθετήστε ένα μεγάλο κομμάτι χαρτόνι κάτω από το κάθε πόδι του ψυγείου.
- Αφού τοποθετήσετε το ψυγείο στην τελική του θέση, μην το μετακινείτε εκτός αν είναι απαραίτητο, ώστε να προστατεύσετε το δάπεδο. Αν πρέπει να το μετακινήσετε, τοποθετήστε παχύ χαρτί ή ύφασμα, όπως παλιά χαλιά, κατά μήκος της διαδρομής του.

ΒΗΜΑ 3 Προσαρμογή των ποδιών ευθυγράμμισης



Ευθυγραμμίστε το ψυγείο προσαρμόζοντας τα πόδια ευθυγράμμισης. Περιστρέψτε τα πόδια ευθυγράμμισης δεξιόστροφα για να το χαμηλώσετε ή αριστερόστροφα για να το ανυψώσετε.

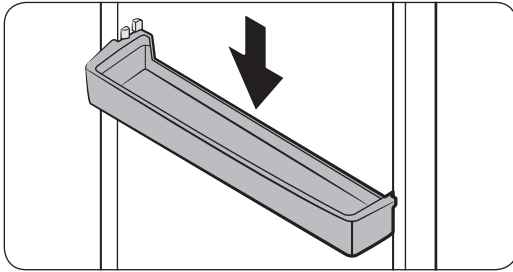


Αφήστε τα πόδια σε απόσταση τουλάχιστον 35 mm (A) από το δάπεδο, όπως φαίνεται στην εικόνα.

ΒΗΜΑ 4 Αποσυσκευασία και τοποθέτηση των εξαρτημάτων στις θέσεις τους (μόνο για τα κατάλληλα μοντέλα)

Τα εξαρτήματα που αποστέλλονται με αυτό το ψυγείο είναι συσκευασμένα καταλλήλως, για λόγους μεταφοράς και ασφαλείας. Αποσυσκευάστε αυτά τα εξαρτήματα και τοποθετήστε τα στις θέσεις τους.

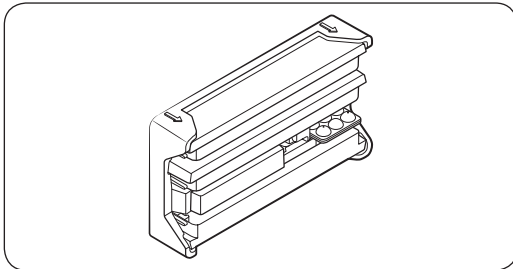
Ράφια πόρτας



Το προϊόν παρέχεται με ράφια πόρτας. Τοποθετήστε τα αντίστοιχα ράφια πόρτας στον καταψύκτη και το ψυγείο. Αν θέλετε να χρησιμοποιήσετε τον δίσκο για αβγά, φροντίστε να τον τοποθετήσετε στο ψυγείο ή να τον εισάγετε στο ράφι πόρτας.

ΣΗΜΕΙΩΣΗ

Πιέστε σταθερά τα ράφια πόρτας όταν τα τοποθετείτε στην πόρτα.



Εγκατάσταση

ΒΗΜΑ 5 Αρχικές ρυθμίσεις

Μετά την ολοκλήρωση των παρακάτω βημάτων, το ψυγείο θα πρέπει να είναι πλήρως λειτουργικό.

1. Συνδέστε το καλώδιο ρεύματος στην πρίζα για να ενεργοποιήσετε το ψυγείο.
2. Ανοίξτε την πόρτα και βεβαιωθείτε ότι ανάβει η εσωτερική λυχνία.
3. Ρυθμίστε τη θερμοκρασία στη χαμηλότερη τιμή και περιμένετε για περίπου μία ώρα. Στη συνέχεια, ο καταψύκτης θα είναι ελαφρώς κρύος και το μοτέρ θα λειτουργεί ομαλά.
4. Περιμένετε μέχρι το ψυγείο να φτάσει στη ρυθμισμένη θερμοκρασία. Πλέον το ψυγείο είναι έτοιμο για χρήση.

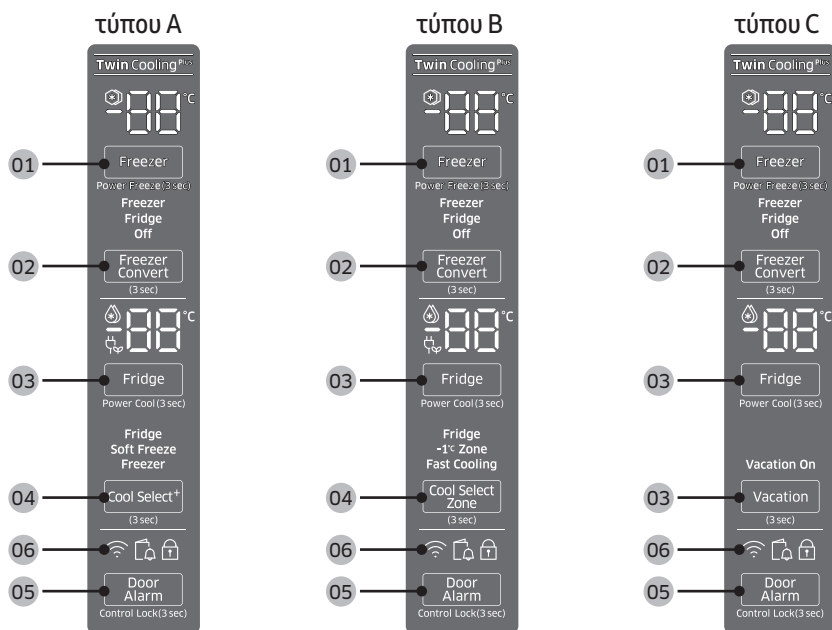
ΒΗΜΑ 6 Τελικός έλεγχος

Όταν ολοκληρωθεί η εγκατάσταση, επιβεβαιώστε τα εξής:

- Το ψυγείο είναι συνδεδεμένο σε μια πρίζα και είναι γειωμένο σωστά.
- Το ψυγείο είναι εγκατεστημένο σε μια επίπεδη και ομαλή επιφάνεια, σε εύλογη απόσταση από τον τοίχο ή το ντουλάπι.
- Το ψυγείο είναι οριζόντιο και στηρίζεται σταθερά στο δάπεδο.
- Η πόρτα ανοίγει και κλείνει εύκολα, ενώ η εσωτερική λυχνία ανάβει αυτόματα όταν ανοίγετε την πόρτα.

Λειτουργίες

Κύριος πίνακας



01 Freezer (Καταψύκτης) / Power Freeze (Γρήγορη κατάψυξη)

02 Freezer Convert (Αλλαγή χρήσης καταψύκτη)

03 Fridge (Ψυγείο) / Power Cool (Γρήγορη ψύξη) / Vacation (Διακοπές)

04 Cool Select+ (Επιλογή ψύξης+) / Cool Select Zone (Ζώνη επιλογής ψύξης) *

05 Door Alarm (Ειδοποίηση πόρτας) / Control Lock (Κλείδωμα ελέγχου)

06 Σύνδεση δικτύου *

* Μόνο για τα κατάλληλα μοντέλα

Λειτουργίες

01 Καταψύκτης / Γρήγορη κατάψυξη

Freezer (Καταψύκτης)	<p>Το κουμπί Freezer (Καταψύκτης) μπορεί να χρησιμοποιηθεί για τη ρύθμιση της θερμοκρασίας του καταψύκτη.</p> <p>Οι διαθέσιμες θερμοκρασίες είναι μεταξύ -15 °C και -23 °C.</p> <p>⚠ ΠΡΟΣΟΧΗ</p> <ul style="list-style-type: none">• Για να αποτραπεί η βλάβη στο σύστημα ή η αλλοίωση των τροφίμων, μη ρυθμίζετε τη θερμοκρασία σε -15 °C το καλοκαίρι (θερμοκρασία υψηλότερη από 35 °C).• Μην αποθηκεύετε γυάλινα μπουκάλια που περιέχουν υγρά στον καταψύκτη. Τα γυάλινα μπουκάλια θα ραγίσουν ή θα σπάσουν όταν παγώσει το υγρό.
Power Freeze (Γρήγορη κατάψυξη)	<p>Η λειτουργία Γρήγορη κατάψυξη επιταχύνει τη διαδικασία κατάψυξης στη μέγιστη ταχύτητα ανεμιστήρα. Ο καταψύκτης λειτουργεί συνεχώς σε πλήρη ισχύ για αρκετές ώρες και, στη συνέχεια, επανέρχεται στην προηγούμενη θερμοκρασία.</p> <ul style="list-style-type: none">• Για να ενεργοποιήσετε τη λειτουργία Γρήγορη κατάψυξη, πατήστε και κρατήστε πατημένο το κουμπί Freezer (Καταψύκτης) για 3 δευτερόλεπτα. Η αντίστοιχη ενδεικτική λυχνία (❄) ανάβει και το ψυγείο επιταχύνει αυτόματα τη διαδικασία ψύξης.• Για να απενεργοποιήσετε τη λειτουργία, πατήστε και κρατήστε πατημένο ξανά το κουμπί Freezer (Καταψύκτης) για 3 δευτερόλεπτα. Ο καταψύκτης επανέρχεται στην προηγούμενη ρύθμιση θερμοκρασίας.• Για να καταψύξετε μεγάλες ποσότητες τροφίμων, ενεργοποιήστε τη λειτουργία Γρήγορη κατάψυξη επί τουλάχιστον 20 ώρες προτού τοποθετήσετε τα τρόφιμα στον καταψύκτη.• Ο καταψύκτης λειτουργεί συνεχώς σε πλήρη ισχύ για 50 ώρες και, στη συνέχεια, επανέρχεται στην προηγούμενη θερμοκρασία. <p>📄 ΣΗΜΕΙΩΣΗ</p> <p>Η χρήση της λειτουργίας Γρήγορη κατάψυξη αυξάνει την κατανάλωση ενέργειας. Αν δεν σκοπεύετε να τη χρησιμοποιήσετε, φροντίστε να την απενεργοποιήσετε για να επανέλθετε στην προηγούμενη θερμοκρασία.</p>



02 Αλλαγή χρήσης καταψύκτη

Μπορείτε να χρησιμοποιήσετε ολόκληρο το ψυγείο στη λειτουργία Ψυγείο ή να απενεργοποιήσετε τον καταψύκτη.

Για να αλλάξετε την προεπιλεγμένη λειτουργία καταψύκτη, πατήστε και κρατήστε πατημένο το κουμπί **Freezer Convert (Αλλαγή χρήσης καταψύκτη)** για 3 δευτερόλεπτα ώστε να εισέλθετε στη λειτουργία επιλογής. Στη συνέχεια, πατήστε το κουμπί **Freezer Convert (Αλλαγή χρήσης καταψύκτη)** για να επιλέξετε την επιθυμητή λειτουργία.

Η λειτουργία αλλάζει με αυτή τη σειρά: Fridge (Ψυγείο) → Off (Απενεργοποίηση) → Freezer (Καταψύκτης) → Off (Απενεργοποίηση) → Λειτουργία ρύθμισης Fridge (Ψυγείο).

- Αν επιλέξετε Fridge (Ψυγείο), ανάβει η ενδεικτική λυχνία Ψυγείο. Η λειτουργία Power Freeze (Γρήγορη κατάψυξη) θα απενεργοποιηθεί αν είναι ενεργή και η λειτουργία Ice On (Ενεργοποίηση πάγου) θα απενεργοποιηθεί αν είναι ενεργοποιημένη.
- Αν επιλέξετε Off (Απενεργοποίηση), ανάβει η ενδεικτική λυχνία Απενεργοποίηση. Ο καταψύκτης θα απενεργοποιηθεί.
- Αν επιλέξετε Freezer (Καταψύκτης), ανάβουν οι ενδεικτικές λυχνίες του καταψύκτη για να τις επιλέξετε.

Οι αλλαγές σας θα ρυθμιστούν και θα ενεργοποιηθούν μετά από 10 δευτερόλεπτα. Για να ακυρώσετε ή να αλλάξετε ξανά τη λειτουργία, πατήστε και κρατήστε πατημένο ξανά το κουμπί **Freezer Convert (Αλλαγή χρήσης καταψύκτη)** για 3 δευτερόλεπτα. Στη συνέχεια, ακολουθήστε τις οδηγίες που αναφέρονται παραπάνω.



ΣΗΜΕΙΩΣΗ

- Αν πατήσετε και κρατήσετε πατημένο το κουμπί **Freezer Convert (Αλλαγή χρήσης καταψύκτη)** για 3 δευτερόλεπτα, το ψυγείο μεταβαίνει στη λειτουργία επιλογής, στην οποία μπορείτε να πατήσετε το κουμπί **Freezer Convert (Αλλαγή χρήσης καταψύκτη)** για να επιλέξετε μια διαφορετική λειτουργία.
- Όταν η λειτουργία ψύξης ή κατάψυξης έχει ρυθμιστεί σε «Off (Απενεργοποίηση)», η θερμοκρασία του ψυγείου ή του καταψύκτη παραμένει χαμηλότερη από 15° C, για να αποτραπεί η δημιουργία οσμών και μούχλας, με χαμηλή κατανάλωση ηλεκτρικού ρεύματος.
- Το ψυγείο ή ο καταψύκτης δεν μπορεί να απενεργοποιηθεί χωριστά.
- Μην αποθηκεύετε τρόφιμα ή ποτά στο ψυγείο όταν η λειτουργία ψύξης ή κατάψυξης έχει ρυθμιστεί σε «Off (Απενεργοποίηση)». Η θερμοκρασία των 15 °C δεν είναι αρκετά χαμηλή ώστε να αποτρέψει την αλλοίωση.



ΠΡΟΕΙΔΟΠΟΙΗΣΗ

- Μην τοποθετείτε γυάλινα μπουκάλια που περιέχουν υγρά στον καταψύκτη. Όταν ακυρώσετε τη λειτουργία Freezer Convert (Αλλαγή χρήσης καταψύκτη), τα γυάλινα μπουκάλια ενδέχεται να ραγίσουν ή να σπάσουν μέσα στον καταψύκτη.
- Φροντίστε να απομακρύνετε τα κατεψυγμένα τρόφιμα από τον καταψύκτη προτού ενεργοποιήσετε τη λειτουργία Freezer Convert (Αλλαγή χρήσης καταψύκτη). Τα κατεψυγμένα τρόφιμα λιώνουν και αλλοιώνονται καθώς η θερμοκρασία αυξάνεται [η λειτουργία Freezer (Καταψύκτης) αλλάζει σε λειτουργία Fridge (Ψυγείο)].
- Φροντίστε να απομακρύνετε τα παγωμένα τρόφιμα από τον καταψύκτη προτού απενεργοποιήσετε τη λειτουργία Freezer Convert (Αλλαγή χρήσης καταψύκτη). Τα παγωμένα τρόφιμα ενδέχεται να καταψυχθούν καθώς η θερμοκρασία μειώνεται [η λειτουργία Fridge (Ψυγείο) αλλάζει σε λειτουργία Freezer (Καταψύκτης)].





Λειτουργίες


ΣΗΜΕΙΩΣΗ

Αν θέλετε να χρησιμοποιήσετε τη λειτουργία Freezer Convert (Αλλαγή χρήσης καταψύκτη), συνιστάται ιδιαίτερα να αποθηκεύσετε τα τρόφιμα σε πλαστικά δοχεία, ειδικά τα λαχανικά.

03 Ψυγείο / Γρήγορη ψύξη / Διακοπές

Fridge (Ψυγείο)	<p>Για να προσαρμόσετε τη θερμοκρασία του ψυγείου, πατήστε το κουμπί Fridge (Ψυγείο) για να επιλέξετε την αντίστοιχη θερμοκρασία. Μπορείτε να αλλάξετε τη θερμοκρασία μεταξύ 1 °C και 7 °C.</p> <p> ΠΡΟΣΟΧΗ</p> <ul style="list-style-type: none">• Τον χειμώνα, μη ρυθμίζετε τον διακόπτη ελέγχου θερμοκρασίας σε 1 °C. Ενδέχεται να προκληθούν προβλήματα με την απόδοση ψύξης.• Το καλοκαίρι, μη ρυθμίζετε τον διακόπτη ελέγχου θερμοκρασίας σε 5-7 °C. Ενδέχεται επίσης να προκληθούν προβλήματα με την απόδοση ψύξης.
Power Cool (Γρήγορη ψύξη)	<p>Η λειτουργία Γρήγορη ψύξη επιταχύνει τη διαδικασία ψύξης στη μέγιστη ταχύτητα ανεμιστήρα. Το ψυγείο λειτουργεί συνεχώς σε πλήρη ισχύ για αρκετές ώρες και, στη συνέχεια, επανέρχεται στην προηγούμενη θερμοκρασία.</p> <ul style="list-style-type: none">• Για να ενεργοποιήσετε τη λειτουργία Γρήγορη ψύξη, πατήστε και κρατήστε πατημένο το κουμπί Fridge (Ψυγείο) για 3 δευτερόλεπτα. Η αντίστοιχη ενδεικτική λυχνία (🔆) ανάβει και το ψυγείο επιταχύνει αυτόματα τη διαδικασία ψύξης.• Για να απενεργοποιήσετε τη λειτουργία Γρήγορη ψύξη, πατήστε και κρατήστε πατημένο ξανά το κουμπί Fridge (Ψυγείο) για 3 δευτερόλεπτα. Το ψυγείο επανέρχεται στην προηγούμενη ρύθμιση θερμοκρασίας. <p> ΣΗΜΕΙΩΣΗ</p> <p>Η χρήση της λειτουργίας Γρήγορη ψύξη αυξάνει την κατανάλωση ενέργειας. Αν δεν σκοπεύετε να τη χρησιμοποιήσετε, φροντίστε να την απενεργοποιήσετε για να επανέλθετε στην προηγούμενη θερμοκρασία.</p>



Vacation (Διακοπές)	<p>Αν πρόκειται να λείψετε σε διακοπές ή σε επαγγελματικό ταξίδι, ή αν δεν σκοπεύετε να χρησιμοποιήσετε το ψυγείο για παρατεταμένο χρονικό διάστημα, χρησιμοποιήστε τη λειτουργία Διακοπές.</p> <p>(Μόνο για τα μοντέλα τύπου A και τύπου B)</p> <ul style="list-style-type: none">• Για να ενεργοποιήσετε τη λειτουργία Διακοπές, πατήστε το κουμπί Fridge (Ψυγείο) με την ένδειξη θερμοκρασίας 1 °C επιλεγμένη. Η ενδεικτική λυχνία διακοπών (☒) ανάβει, ενώ οθόνη θερμοκρασίας ψυγείου απενεργοποιείται. Απενεργοποιείται επίσης η οθόνη των μοντέλων τύπου A (Cool Select+) και τύπου B (Cool Select Zone). Η θερμοκρασία του ψυγείου ελέγχεται ώστε να είναι χαμηλότερη από 15 °C, αλλά ο καταψύκτης παραμένει ενεργός στην προηγούμενη ρύθμιση.• Για να απενεργοποιήσετε τη λειτουργία Διακοπές, πατήστε ξανά το κουμπί Fridge (Ψυγείο). Η θερμοκρασία του ψυγείου θα επανέλθει στους 7 °C. Σημειώστε ότι τα μοντέλα τύπου A (Cool Select+) και τύπου B (Cool Select Zone) επανέρχονται στις ρυθμίσεις θερμοκρασίας του ψυγείου. <p>(Μόνο για τα μοντέλα τύπου C)</p> <ul style="list-style-type: none">• Για να ενεργοποιήσετε τη λειτουργία Διακοπές, πατήστε και κρατήστε πατημένο το κουμπί Vacation (Διακοπές) για 3 δευτερόλεπτα. Η ενδεικτική λυχνία ενεργοποίησης λειτουργίας διακοπών ανάβει, ενώ οι ενδεικτικές λυχνίες θερμοκρασίας ψυγείου σβήνουν. Η θερμοκρασία του ψυγείου ελέγχεται ώστε να είναι χαμηλότερη από 15 °C, αλλά ο καταψύκτης παραμένει ενεργός στην προηγούμενη ρύθμιση.• Για να απενεργοποιήσετε τη λειτουργία Διακοπές, πατήστε και κρατήστε πατημένο ξανά το κουμπί Vacation (Διακοπές) για 3 δευτερόλεπτα. Η θερμοκρασία του ψυγείου επανέρχεται στην προηγούμενη ρύθμιση. <p> ΣΗΜΕΙΩΣΗ</p> <p>Συνιστάται ιδιαίτερα να αδειάζετε τον θάλαμο του ψυγείου και να βεβαιώνετε ότι η πόρτα είναι κλειστή.</p> <p>Για τα μοντέλα με Cool Select+/Cool Select Zone, η θερμοκρασία της λειτουργίας Διακοπές ελέγχεται ώστε να είναι χαμηλότερη από 15 °C, ακριβώς όπως οι ρυθμίσεις του ψυγείου. Ωστόσο, η αντίστοιχη ενδεικτική λυχνία σβήνει, ανάλογα με το μοντέλο.</p>
----------------------------	---




Λειτουργίες

04 Επιλογή ψύξης+ / Ζώνη επιλογής ψύξης (μόνο για τα κατάλληλα μοντέλα)

Cool Select+ (Επιλογή ψύξης+) (ΤΥΠΟΣ Α)	<p>Πατήστε και κρατήστε πατημένο το κουμπί Cool Select+ (Επιλογή ψύξης+) για 3 δευτερόλεπτα. Στη συνέχεια, πατήστε το ξανά για να επιλέξετε την επιθυμητή λειτουργία. Η αντίστοιχη ενδεικτική λυχνία ανάβει.</p> <ul style="list-style-type: none">• Fridge (Ψυγείο) Αν επιλεγεί, η λειτουργία Cool Select Zone θα ρυθμιστεί στους 3 °C.• Soft Freeze (Απαλή κατάψυξη) Αν επιλεγεί, η λειτουργία Cool Select Zone θα ρυθμιστεί στους -5 °C. Αυτό είναι χρήσιμο για την αποθήκευση κρέατος ή/και ψαριών για παρατεταμένο χρονικό διάστημα.• Freezer (Καταψύκτης) Αν επιλεγεί, η λειτουργία Cool Select Zone θα ρυθμιστεί στους -12 °C. Αυτό είναι χρήσιμο για τη διατήρηση κατεψυγμένων λαχανικών για παρατεταμένο χρονικό διάστημα.
Cool Select Zone (Ζώνη επιλογής ψύξης) (ΤΥΠΟΣ Β)	<p>Πατήστε και κρατήστε πατημένο το κουμπί Cool Select Zone (Ζώνη επιλογής ψύξης) για 3 δευτερόλεπτα. Στη συνέχεια, πατήστε το ξανά για να επιλέξετε την επιθυμητή λειτουργία. Η αντίστοιχη ενδεικτική λυχνία ανάβει.</p> <ul style="list-style-type: none">• Fridge (Ψυγείο) Αν επιλεγεί, η λειτουργία Cool Select Zone θα ρυθμιστεί στους 3 °C.• -1 °C Zone (Ζώνη -1 °C) Αν επιλεγεί, η λειτουργία Cool Select Zone θα ρυθμιστεί στους -1 °C. Αυτό είναι χρήσιμο για την αποθήκευση ευπαθών τροφίμων.• Fast Cooling (Ταχεία ψύξη) Επιλέξτε αυτή τη λειτουργία αν θέλετε να ψύξετε τρόφιμα γρήγορα. Η λειτουργία Cool Select Zone θα ψύξει τα τρόφιμα στη μέγιστη ταχύτητα για 60 λεπτά.

05 Ειδοποίηση πόρτας / Κλείδωμα ελέγχου

Door Alarm (Ειδοποίηση πόρτας)	<p>Μπορείτε να ρυθμίσετε την ειδοποίηση για υπενθύμιση. Αν η πόρτα παραμείνει ανοιχτή για περισσότερο από 2 λεπτά, ακούγεται ο ήχος ειδοποίησης και αναβοσβήνει η ενδεικτική λυχνία ειδοποίησης. Μπορείτε να ενεργοποιήσετε και να απενεργοποιήσετε εναλλακτικά την ειδοποίηση πατώντας το κουμπί Door Alarm (Ειδοποίηση πόρτας). Η ειδοποίηση είναι ενεργοποιημένη ως εργοστασιακή προεπιλογή.</p>
Control Lock (Κλείδωμα ελέγχου)	<p>Για να αποτρέψετε τυχαίους χειρισμούς, πατήστε και κρατήστε πατημένο το κουμπί Door Alarm (Ειδοποίηση πόρτας) επί 3 δευτερόλεπτα για να ενεργοποιήσετε τη λειτουργία Κλείδωμα ελέγχου. Όλα τα χειριστήρια θα είναι απενεργοποιημένα και η ενδεικτική λυχνία () θα παραμείνει αναμμένη.</p> <p>Για να απενεργοποιήσετε τη λειτουργία, πατήστε και κρατήστε πατημένο ξανά το κουμπί για 3 δευτερόλεπτα. Τα χειριστήρια θα είναι ενεργοποιημένα ως συνήθως.</p>



06 Σύνδεση δικτύου (μόνο για τα κατάλληλα μοντέλα)

Αυτό το εικονίδιο υποδεικνύει ότι το ψυγείο είναι συνδεδεμένο σε ένα δίκτυο. Αν το εικονίδιο Wi-Fi (📶) αναβοσβήνει, συνιστούμε να συνδέσετε το ψυγείο σας με την εφαρμογή SmartThings. Μπορείτε να ελέγχετε και να παρακολουθείτε το ψυγείο σας από την εφαρμογή SmartThings. Για περισσότερες πληροφορίες, ανατρέξτε στην ενότητα **SmartThings**.

Ενεργοποίηση ή απενεργοποίηση του Wi-Fi

Για να ενεργοποιήσετε ή να απενεργοποιήσετε το Wi-Fi, πατήστε και κρατήστε πατημένο το κουμπί **Door Alarm (Ειδοποίηση πόρτας)** για 10 δευτερόλεπτα. Το εικονίδιο Wi-Fi (📶) υποδεικνύει την κατάσταση του Wi-Fi όπως φαίνεται παρακάτω.

- Wi-Fi απενεργοποιημένο: Το εικονίδιο Wi-Fi (📶) αναβοσβήνει για 5 δευτερόλεπτα και, στη συνέχεια, σβήνει.
- Wi-Fi ενεργοποιημένο: Το εικονίδιο Wi-Fi (📶) αναβοσβήνει για 5 δευτερόλεπτα και, στη συνέχεια, ανάβει για 5 δευτερόλεπτα.



ΣΗΜΕΙΩΣΗ

- Πρέπει να ενεργοποιήσετε το Wi-Fi για να συνδέσετε το ψυγείο με την εφαρμογή SmartThings.
- Για περισσότερες πληροφορίες, ανατρέξτε στην ενότητα **SmartThings**.



Λειτουργίες

SmartThings

Εγκατάσταση

Επισκεφτείτε το Google Play Store, το Galaxy Apps ή το Apple App Store και αναζητήστε την εφαρμογή «SmartThings». Λάβετε και εγκαταστήστε την εφαρμογή SmartThings που παρέχεται από τη Samsung Electronics στην έξυπνη συσκευή σας.

ΣΗΜΕΙΩΣΗ

- Η υποστηριζόμενη έκδοση λογισμικού της εφαρμογής SmartThings υπόκειται σε αλλαγές, σύμφωνα με την πολιτική υποστήριξης λειτουργικού συστήματος που παρέχει ο κατασκευαστής. Επιπλέον, όσον αφορά την εφαρμογή SmartThings ή τις λειτουργίες που υποστηρίζει η εφαρμογή, η πολιτική νέων ενημερώσεων εφαρμογής στην υπάρχουσα έκδοση λειτουργικού συστήματος μπορεί να ανασταλεί για λόγους χρηστικότητας ή ασφαλείας.
- Η εφαρμογή SmartThings υπόκειται σε αλλαγές χωρίς προειδοποίηση για τη βελτίωση της χρηστικότητας ή της απόδοσης. Καθώς η έκδοση λειτουργικού συστήματος του κινητού τηλεφώνου ενημερώνεται κάθε έτος, η εφαρμογή SmartThings ενημερώνεται επίσης συνεχώς σύμφωνα με το τελευταίο λειτουργικό σύστημα. Αν έχετε ερωτήσεις σχετικά με τα προαναφερθέντα, επικοινωνήστε μαζί μας στην ηλεκτρονική διεύθυνση st.service@samsung.com
- Τα συνιστώμενα συστήματα κρυπτογράφησης περιλαμβάνουν τα WPA/TKIP και WPA2/AES. Δεν υποστηρίζονται τυχόν νεότερα ή μη τυπικά πρωτόκολλα ελέγχου ταυτότητας Wi-Fi.
- Τα ασύρματα δίκτυα ενδέχεται να επηρεαστούν από το περιβάλλον ασύρματης επικοινωνίας.
- Αν ο πάροχος υπηρεσιών Διαδικτύου έχει καταχωρίσει τη διεύθυνση MAC του υπολογιστή ή του μόντεμ σας ώστε να το αναγνωρίζει, το έξυπνο ψυγείο Samsung ενδέχεται να μη συνδέεται στο Διαδίκτυο. Αν συμβεί αυτό, επικοινωνήστε με τον πάροχο υπηρεσιών Διαδικτύου για τεχνική υποστήριξη.
- Οι ρυθμίσεις τείχους προστασίας του συστήματος δικτύου σας ενδέχεται να αποτρέπουν την πρόσβαση του έξυπνου ψυγείου Samsung στο Διαδίκτυο. Επικοινωνήστε με τον πάροχο υπηρεσιών Διαδικτύου για τεχνική υποστήριξη. Αν αυτό το σύμπτωμα συνεχίζει να παρουσιάζεται, επικοινωνήστε με το τοπικό επισκευαστικό κέντρο ή τον έμπορο λιανικής της Samsung.
- Για να διαμορφώσετε τις ρυθμίσεις του ασύρματου σημείου πρόσβασης (AP), ανατρέξτε στο εγχειρίδιο χρήσης του σημείου πρόσβασης του δρομολογητή.
- Τα έξυπνα ψυγεία Samsung υποστηρίζουν τα πρωτόκολλα Wi-Fi 2,4 GHz με IEEE 802.11 b/g/n και Soft-AP (συνιστάται IEEE 802.11 n).
- Οι μη εγκεκριμένοι δρομολογητές ασύρματου δικτύου Wi-Fi ενδέχεται να μη συνδέονται με τα κατάλληλα έξυπνα ψυγεία Samsung.



Λογαριασμός Samsung

Για να χρησιμοποιήσετε την εφαρμογή, απαιτείται να καταχωρίσετε τον δικό σας λογαριασμό Samsung. Αν δεν διαθέτετε λογαριασμό Samsung, ακολουθήστε τις οδηγίες της εφαρμογής στην οθόνη για να δημιουργήσετε δωρεάν έναν λογαριασμό Samsung.

Έναρξη χρήσης

Ενεργοποιήστε τη συσκευή που θέλετε να συνδέσετε, ανοίξτε την εφαρμογή SmartThings στο κινητό σας και, στη συνέχεια, ακολουθήστε τις παρακάτω οδηγίες.

Αν εμφανιστεί ένα αναδυόμενο μήνυμα που δηλώνει ότι βρέθηκε μια νέα συσκευή, πατήστε **ADD NOW (ΠΡΟΣΘΗΚΗ ΤΩΡΑ)**.

Αν δεν εμφανιστεί κανένα αναδυόμενο μήνυμα, πατήστε το κουμπί + και, στη συνέχεια, επιλέξτε τη συσκευή που θέλετε να συνδέσετε από τη λίστα των διαθέσιμων συσκευών.

Αν η συσκευή σας δεν βρίσκεται στη λίστα των διαθέσιμων συσκευών, πατήστε **Supported Devices (Υποστηριζόμενες συσκευές)**, επιλέξτε τον τύπο της συσκευής (ψυγείο) και, στη συνέχεια, επιλέξτε το μοντέλο της συγκεκριμένης συσκευής.

Ακολουθήστε τις οδηγίες στην εφαρμογή για να ρυθμίσετε τη συσκευή σας. Αφού ολοκληρωθεί η ρύθμιση, το ψυγείο σας θα εμφανίζεται ως «κάρτα» στην οθόνη **Devices (Συσκευές)**.

Ολοκληρωμένος έλεγχος

Μπορείτε να παρακολουθείτε και να ελέγχετε το ψυγείο σας στο σπίτι και εν κινήσει.

- Πατήστε το εικονίδιο ψυγείου στον πίνακα εργαλείων SmartThings ή πατήστε το εικονίδιο συσκευών στο κάτω μέρος του πίνακα εργαλείων και, στη συνέχεια, πατήστε στην «κάρτα» ψυγείου για να ανοίξετε τη σελίδα του ψυγείου.
- Ελέγξτε την κατάσταση λειτουργίας ή τις ειδοποιήσεις που σχετίζονται με το ψυγείο σας και κατόπιν αλλάξτε τις επιλογές ή τις ρυθμίσεις, αν είναι απαραίτητο.



ΣΗΜΕΙΩΣΗ

Ορισμένες επιλογές ή ρυθμίσεις του ψυγείου ενδέχεται να μην είναι διαθέσιμες για απομακρυσμένο έλεγχο.



Λειτουργίες

Κατηγορία	Χαρακτηριστικό	Περιγραφή
Παρακολούθηση και έλεγχος	Θερμοκρασία ψυγείου	Εμφανίζει τη ρύθμιση τρέχουσας θερμοκρασίας του ψυγείου.
	Θερμοκρασία καταψύκτη	Εμφανίζει τη ρύθμιση τρέχουσας θερμοκρασίας του καταψύκτη.
	Γρήγορη ψύξη	Μπορείτε να ενεργοποιήσετε ή να απενεργοποιήσετε τη λειτουργία γρήγορης ψύξης και να ελέγξετε τις τρέχουσες ρυθμίσεις.
	Cool Select+ (Επιλογή ψύξης+) * / Cool Select Zone (Ζώνη επιλογής ψύξης) *	Μπορείτε να ρυθμίσετε και να παρακολουθείτε την επιθυμητή λειτουργία Cool Select (Επιλογή ψύξης).
Ειδοποιήσεις	Αφύσικα υψηλή θερμοκρασία	Αυτή η ειδοποίηση ενεργοποιείται όταν η θερμοκρασία του ψυγείου είναι αφύσικα υψηλή.
	Άνοιγμα πόρτας	Αυτή η ειδοποίηση ενεργοποιείται αν η πόρτα του ψυγείου ή του καταψύκτη παραμείνει ανοιχτή για περισσότερο από 2 λεπτά.

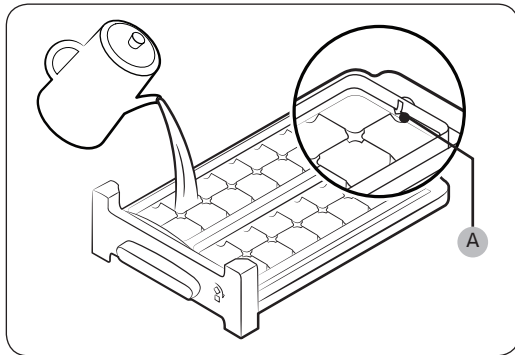
* μόνο για τα κατάλληλα μοντέλα

Ειδικές δυνατότητες

Η πραγματική εμφάνιση και οι ειδικές λειτουργίες του ψυγείου σας ενδέχεται να διαφέρουν, ανάλογα με το μοντέλο και τη χώρα.

Παρασκευή πάγου (μόνο για τα κατάλληλα μοντέλα)

Περιστρεφόμενος παρασκευαστής πάγου



1. Ανοίξετε την πόρτα του καταψύκτη και σύρετε έξω τον δίσκο πάγου για να τον ανοίξετε.
2. Γεμίστε τον δίσκο με νερό έως την **ένδειξη μέγιστης στάθμης (A)** που σημειώνεται στο πίσω εσωτερικό μέρος του δίσκου.
3. Σύρετε ξανά τον δίσκο στη θέση του.

ΣΗΜΕΙΩΣΗ

Ο χρόνος παρασκευής πάγου εξαρτάται από τις ρυθμίσεις θερμοκρασίας.

ΣΗΜΕΙΩΣΗ

- Βεβαιωθείτε ότι το δοχείο φύλαξης για τα παγάκια βρίσκεται στη θέση του, κάτω από τον δίσκο πάγου.
- Για να πάρετε τα παγάκια, στρέψτε τη λαβή του δοχείου προς τα δεξιά για να αδειάσετε τα μισά παγάκια στο δοχείο. Στη συνέχεια, στρέψτε την προς τα αριστερά για να αδειάσετε τα άλλα μισά.
- Αφαιρέστε το δοχείο, συστρέφοντας ελαφρώς και τραβώντας προς τα εμπρός.

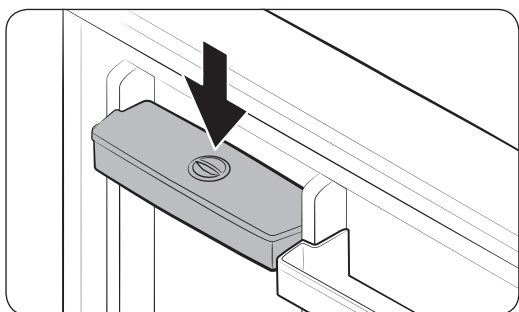
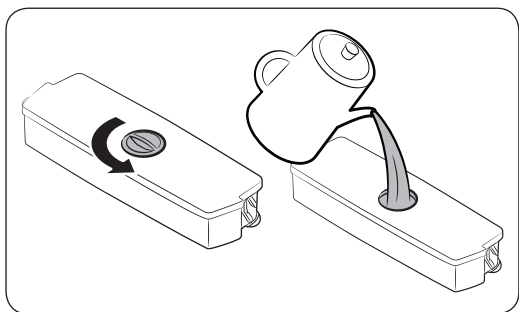
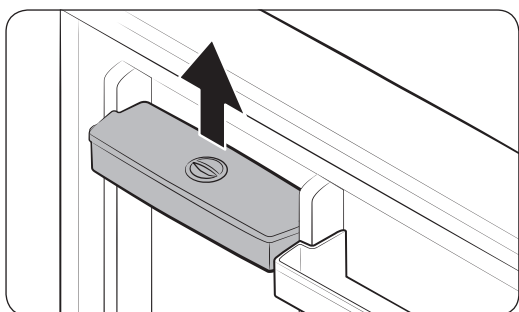
Λειτουργίες

Διανεμητής νερού

Με τον διανεμητή νερού, μπορείτε να πιείτε νερό χωρίς να ανοίξετε την πόρτα του ψυγείου. Πριν από τη χρήση, πρέπει να γεμίσετε το δοχείο νερού με πόσιμο νερό.

Για να γεμίσετε το δοχείο νερού με πόσιμο νερό

Ανοίξτε την πόρτα και εντοπίστε το δοχείο νερού, το οποίο βρίσκεται στην περιοχή των ραφιών της πόρτας.



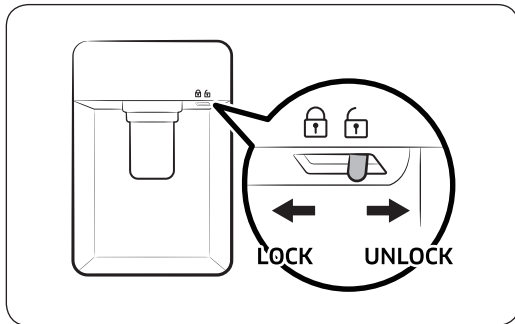
1. Κρατήστε τις χειρολαβές και στις δύο πλευρές του δοχείου νερού και ανασηκώστε το για να το αφαιρέσετε.

2. Γεμίστε το δοχείο νερού με πόσιμο νερό, έως και 2,8 λίτρα. Μπορείτε να αφαιρέσετε είτε το επάνω καπάκι είτε το κάλυμμα και να ρίξετε νερό.

ΣΗΜΕΙΩΣΗ

Για την πρώτη χρήση, καθαρίστε το εσωτερικό του δοχείου νερού.

3. Επανατοποθετήστε το δοχείο νερού και κλείστε την πόρτα. Βεβαιωθείτε ότι η έξοδος παροχής νερού του δοχείου νερού είναι στραμμένη προς τα εμπρός.



4. Τοποθετήστε ένα ποτήρι κάτω από την έξοδο παροχής νερού του διανεμητή και πιέστε απαλά τον μοχλό του διανεμητή για να βγει νερό. Βεβαιωθείτε ότι ο διανεμητής νερού έχει απασφαλιστεί.

ΠΡΟΣΟΧΗ

- Ο διανεμητής νερού έχει σχεδιαστεί ώστε να διανέμει πόσιμο νερό. Γεμίζετε το δοχείο νερού μόνο με πόσιμο νερό. Μην το γεμίζετε με οποιαδήποτε άλλα υγρά.
- Μην γεμίζετε υπερβολικά το δοχείο νερού, καθώς θα προκληθεί υπερχειλίση.
- Μην επιχειρήσετε να γεμίσετε το δοχείο νερού χωρίς να το αφαιρέσετε από την πόρτα.
- Βεβαιωθείτε ότι το δοχείο νερού έχει εφαρμόσει σωστά.
- Μην χρησιμοποιείτε το ψυγείο χωρίς το δοχείο νερού. Ενδέχεται να μειωθούν οι επιδόσεις και η απόδοση.
- Για να αποτραπεί η αναπήδηση του νερού, βεβαιωθείτε ότι το ποτήρι είναι ευθυγραμμισμένο με τον μοχλό του διανεμητή.

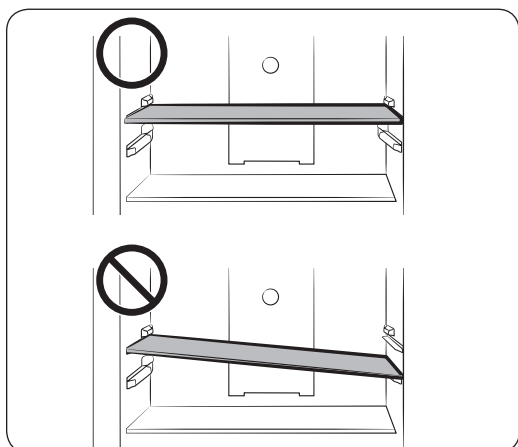
ΣΗΜΕΙΩΣΗ

Για να εξασφαλίσετε περισσότερο χώρο, μπορείτε να χρησιμοποιήσετε το δοχείο νερού για τη φύλαξη τροφίμων. Σε αυτήν την περίπτωση, αφαιρέστε το καπάκι του δοχείου.

Συντήρηση

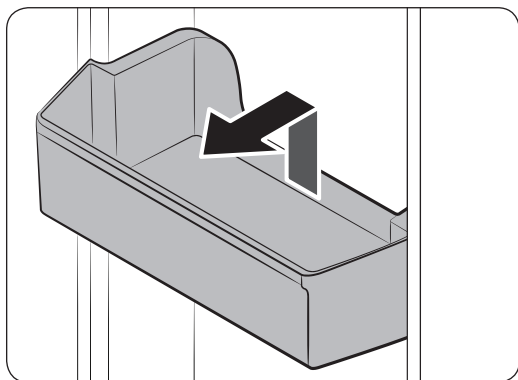
Χειρισμός και φροντίδα

Ράφια καταψύκτη και ψυγείου



- Για να αφαιρέσετε ένα ράφι, πρώτα ανοίξτε εντελώς την πόρτα. Τραβήξτε το ράφι προς τα εμπρός, ανασηκώστε το και, στη συνέχεια, τραβήξτε το έξω.
- Μην επιχειρείτε να τοποθετήσετε το ράφι σε κεκλιμένη θέση.

Ράφια πόρτας



Ανασηκώστε ελαφρώς και τραβήξτε έξω το ράφι πόρτας.

⚠ ΠΡΟΣΟΧΗ

Για να αποφύγετε τα ατυχήματα, αδειάστε τα ράφια πόρτας προτού τα αφαιρέσετε.

Καθαρισμός

Χρησιμοποιείτε τακτικά ένα στεγνό πανί για να απομακρύνετε όλα τα ξένα σώματα, όπως σκόνη ή νερό, από τους ακροδέκτες και τα σημεία επαφής του φιν τροφοδοσίας.

1. Αποσυνδέστε το καλώδιο ρεύματος του ψυγείου από την πρίζα.
2. Χρησιμοποιήστε ένα βρεγμένο μαλακό πανί που δεν αφήνει χνούδι ή μια χαρτοπετσέτα για να καθαρίσετε το εσωτερικό και το εξωτερικό μέρος του ψυγείου.
3. Όταν τελειώσετε, χρησιμοποιήστε ένα στεγνό πανί ή μια χαρτοπετσέτα για να το στεγνώσετε καλά.
4. Συνδέστε το καλώδιο ρεύματος του ψυγείου στην πρίζα για να ενεργοποιήσετε το ψυγείο.

ΣΗΜΕΙΩΣΗ

Αν έχετε αφαιρέσει οποιαδήποτε αποσπώμενα εξαρτήματα όπως ράφια για τον καθαρισμό, ανατρέξτε στη γενική διάταξη στην ενότητα περιεχομένων συσκευασίας για να βεβαιωθείτε ότι τα έχετε επανατοποθετήσει σωστά.

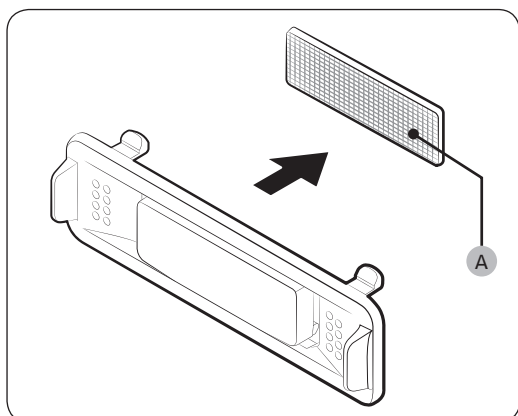
ΠΡΟΕΙΔΟΠΟΙΗΣΗ

- Μη χρησιμοποιείτε βενζόλιο, διαλυτικό ή οικιακό απορρυπαντικό/απορρυπαντικό αυτοκινήτου όπως το Clorox™ για σκοπούς καθαρισμού. Ενδέχεται να προκαλέσουν ζημιά στην επιφάνεια του ψυγείου, καθώς και πυρκαγιά.
- Μην ψεκάζετε νερό επάνω στο ψυγείο. Ενδέχεται να προκληθεί ηλεκτροπληξία.
- Μη βάζετε τα δάχτυλά σας ή άλλα αντικείμενα στην οπή του διανεμητή.

Συντήρηση

Αντικατάσταση

Φίλτρο εξουδετέρωσης οσμών (μόνο στα κατάλληλα μοντέλα)



Ενώ κρατάτε το επάνω και το κάτω μέρος του περιβλήματος φίλτρου, απασφαλίστε το περίβλημα φίλτρου για να φανεί το **φίλτρο εξουδετέρωσης οσμών (A)**. Αντικαταστήστε το φίλτρο και, στη συνέχεια, επανατοποθετήστε το περίβλημα.

Λυχνίες και αντιβακτηριακό φίλτρο

Ούτε οι λυχνίες ούτε το αντιβακτηριακό φίλτρο μπορούν να επισκευαστούν από τον χρήστη. Μην επιχειρείτε να τα αντικαταστήσετε οι ίδιοι. Για να αντικαταστήσετε, επικοινωνήστε με ένα τοπικό κέντρο σέρβις της Samsung.

Λυχνία (πηγή φωτός)

Το προϊόν αυτό περιέχει φωτεινή πηγή της τάξης ενεργειακής απόδοσης <G>.

Οι λυχνίες ή/και οι διατάξεις ελέγχου δεν μπορούν να επισκευαστούν από τον χρήστη. Για να αντικαταστήσετε τις λυχνίες ή/και τις διατάξεις ελέγχου του προϊόντος, επικοινωνήστε με το τοπικό επισκευαστικό κέντρο της Samsung.

Για λεπτομερείς οδηγίες σχετικά με την αντικατάσταση των λυχνιών ή των διατάξεων ελέγχου του προϊόντος σας, επισκεφτείτε τη διαδικτυακή τοποθεσία της Samsung (<http://www.samsung.com>), μεταβείτε στο μενού Υποστήριξη > Αρχική σελίδα υποστήριξης και εισαγάγετε το όνομα του μοντέλου.

Για λεπτομερείς οδηγίες σχετικά με την αποσυναρμολόγηση των λυχνιών ή/και των διατάξεων ελέγχου, απλά ακολουθήστε τις οδηγίες αντικατάστασης που μπορείτε να βρείτε όπως περιγράφεται παραπάνω.

Αντιμετώπιση προβλημάτων

Αν αντιμετωπίσετε κάποια μη φυσιολογική κατάσταση με το ψυγείο, ελέγξτε πρώτα τον παρακάτω πίνακα και δοκιμάστε τις προτάσεις.


Γενικά

Σύμπτωμα	Ενέργεια
Το ψυγείο δεν λειτουργεί ή δεν ψύχεται.	<ul style="list-style-type: none">• Βεβαιωθείτε ότι το καλώδιο ρεύματος είναι συνδεδεμένο σωστά.• Βεβαιωθείτε ότι ο διακόπτης ελέγχου θερμοκρασίας έχει ρυθμιστεί σωστά.• Φροντίστε να κρατήσετε το ψυγείο μακριά από άμεσο ηλιακό φως και πηγές θερμότητας. Διαφορετικά, ενδέχεται να επηρεαστεί η απόδοση ψύξης.• Βεβαιωθείτε ότι το ψυγείο βρίσκεται σε επαρκή απόσταση από τους πίσω και τους πλαϊνούς τοίχους ή το ντουλάπι. Διαφορετικά, ενδέχεται να επηρεαστεί η απόδοση ψύξης.• Η μεγάλη ποσότητα τροφίμων ενδέχεται να εμποδίσει τον εξαερισμό του ψυγείου. Για να λειτουργεί κανονικά το ψυγείο, μην τοποθετείτε μεγάλη ποσότητα τροφίμων στο εσωτερικό του.
Τα τρόφιμα στο ψυγείο παγώνουν.	<ul style="list-style-type: none">• Ελέγξτε αν ο διακόπτης ελέγχου θερμοκρασίας έχει ρυθμιστεί στην κατώτατη θερμοκρασία. Αν ναι, αλλάξτε τη θερμοκρασία σε υψηλότερο επίπεδο ή στη βέλτιστη ρύθμιση.• Αυτό συμβαίνει αν η θερμοκρασία περιβάλλοντος είναι πολύ χαμηλή. Ρυθμίστε τη θερμοκρασία σε υψηλότερο επίπεδο.• Ελέγξτε αν τρόφιμα με υψηλή περιεκτικότητα σε νερό έχουν τοποθετηθεί στα ψυχρότερα σημεία του ψυγείου ή κοντά στο άνοιγμα εξαερισμού ψύξης. Αν συμβαίνει αυτό, μετακινήστε τα τρόφιμα σε άλλα ράφια του ψυγείου.
Ακούγονται θόρυβοι.	<ul style="list-style-type: none">• Βεβαιωθείτε ότι το ψυγείο είναι εγκατεστημένο σε μια σταθερή και επίπεδη επιφάνεια.• Βεβαιωθείτε ότι το ψυγείο βρίσκεται σε επαρκή απόσταση από τους πίσω και τους πλαϊνούς τοίχους ή το ντουλάπι.• Φροντίστε να απομακρύνετε ρύπους και ξένα αντικείμενα, μέσα ή κάτω από το ψυγείο.• Ενδέχεται να ακούγεται ένας ρυθμικός ήχος από το εσωτερικό του ψυγείου, ο οποίος προκαλείται από τα διάφορα αποσπώμενα εξαρτήματα που συστέλλονται ή διαστέλλονται. Αυτό δεν αποτελεί βλάβη στο σύστημα.
Οι μπροστινές γωνίες και οι πλευρές είναι ζεστές και έχει δημιουργηθεί υγρασία.	<ul style="list-style-type: none">• Για να αποτραπεί η δημιουργία υγρασίας, το ψυγείο έχει ανθεκτική στη θερμότητα σωλήνωση στις μπροστινές γωνίες. Αν αυξηθεί η θερμοκρασία περιβάλλοντος, ο εξοπλισμός ενδέχεται να μη λειτουργεί αποτελεσματικά. Αυτό δεν αποτελεί βλάβη στο σύστημα.• Αν υγρός αέρας έρθει σε επαφή με την κρύα επιφάνεια του ψυγείου, ενδέχεται να δημιουργηθεί υγρασία στην εξωτερική επιφάνεια του ψυγείου.

Αντιμετώπιση προβλημάτων

Σύμπτωμα	Ενέργεια
Ο παρασκευαστής πάγου δεν παρασκευάζει πάγο.	<ul style="list-style-type: none">• Πρέπει να περιμένετε 12 ώρες μέχρι το ψυγείο να παρασκευάσει πάγο.• Βεβαιωθείτε ότι η λειτουργία του παρασκευαστή πάγου δεν διακόπηκε κατά την παρασκευή του πάγου.• Βεβαιωθείτε ότι ο καταψύκτης έχει ρυθμιστεί σε θερμοκρασία χαμηλότερη από 0 °C (ή -5 °C με ζεστό αέρα περιβάλλοντος).• Βεβαιωθείτε ότι το δοχείο νερού είναι γεμάτο με νερό.
Ο διανεμητής νερού δεν λειτουργεί.	<ul style="list-style-type: none">• Ελέγξτε αν το δοχείο νερού έχει παγώσει. Αν ναι, επιλέξτε μια υψηλότερη θερμοκρασία ψυγείου.• Βεβαιωθείτε ότι το δοχείο νερού είναι γεμάτο με νερό.• Βεβαιωθείτε ότι το δοχείο νερού έχει τοποθετηθεί σωστά.• Βεβαιωθείτε ότι το φίλτρο νερού έχει τοποθετηθεί σωστά.
Ακούγεται ένας ήχος αφρίσματος.	<ul style="list-style-type: none">• Αυτός ο ήχος ακούγεται από το ψυγείο κατά τη διάρκεια της διαδικασίας ψύξης, γεγονός που είναι φυσιολογικό.
Μια άσχημη οσμή βγαίνει από το εσωτερικό του ψυγείου.	<ul style="list-style-type: none">• Ελέγξτε για τυχόν αλλοιωμένα τρόφιμα. Συνιστούμε να καθαρίζετε το ψυγείο σε τακτική βάση και να απομακρύνετε τυχόν αλλοιωμένα ή ύποπτα τρόφιμα.• Βεβαιωθείτε ότι τα τρόφιμα με έντονες οσμές είναι τυλιγμένα αεροστεγώς.
Σχηματίζεται πάγος στα εσωτερικά τοιχώματα.	<ul style="list-style-type: none">• Βεβαιωθείτε ότι τα ανοίγματα εξαερισμού του ψυγείου δεν είναι φραγμένα από τρόφιμα. Επίσης, είναι σημαντικό να κατανέμετε τα τρόφιμα ομοιόμορφα για σωστό εξαερισμό.• Βεβαιωθείτε ότι η πόρτα έχει κλείσει σωστά.
Δημιουργείται υγρασία στα εσωτερικά τοιχώματα ή γύρω από λαχανικά.	<ul style="list-style-type: none">• Αυτό συμβαίνει όταν τα τρόφιμα με υψηλή περιεκτικότητα σε νερό φυλάσσονται χωρίς κάλυμμα ή η πόρτα έχει μείνει ανοιχτή για πολλή ώρα.• Βεβαιωθείτε ότι τα τρόφιμα είναι καλυμμένα ή είναι τοποθετημένα σε στεγανοποιημένα δοχεία.

SmartThings

Σύμπτωμα	Ενέργεια
Δεν μπόρεσα να βρω την εφαρμογή «SmartThings» στο κατάστημα εφαρμογών.	<ul style="list-style-type: none">• Η υποστηριζόμενη έκδοση λογισμικού της εφαρμογής SmartThings υπόκειται σε αλλαγές, σύμφωνα με την πολιτική υποστήριξης λειτουργικού συστήματος που παρέχει ο κατασκευαστής. Επιπλέον, όσον αφορά την εφαρμογή SmartThings ή τις λειτουργίες που υποστηρίζει η εφαρμογή, η πολιτική νέων ενημερώσεων εφαρμογής στην υπάρχουσα έκδοση λειτουργικού συστήματος μπορεί να ανασταλεί για λόγους χρηστικότητας ή ασφαλείας.
Η εφαρμογή SmartThings δεν λειτουργεί.	<ul style="list-style-type: none">• Η εφαρμογή SmartThings είναι διαθέσιμη μόνο για τα κατάλληλα μοντέλα.• Η παλαιότερη εφαρμογή Samsung Smart Refrigerator δεν μπορεί να συνδεθεί με τα μοντέλα Samsung Smart Home.
Η εφαρμογή SmartThings είναι εγκατεστημένη, αλλά δεν συνδέεται με το ψυγείο μου.	<ul style="list-style-type: none">• Για να χρησιμοποιήσετε την εφαρμογή, θα πρέπει να συνδεθείτε στον δικό σας λογαριασμό Samsung.• Βεβαιωθείτε ότι ο δρομολογητής σας λειτουργεί κανονικά.• Αν το εικονίδιο Wi-Fi στην οθόνη του ψυγείου είναι σβηστό, αυτό υποδεικνύει ότι δεν έχει πραγματοποιηθεί ακόμα σύνδεση στο δίκτυο. Σε αυτήν την περίπτωση, χρησιμοποιήστε την εφαρμογή SmartThings για να συνδέσετε και να καταχωρίσετε το ψυγείο στο σημείο πρόσβασης (AP) του σπιτιού σας.
Δεν μπόρεσα να συνδεθώ στην εφαρμογή.	<ul style="list-style-type: none">• Για να χρησιμοποιήσετε την εφαρμογή, θα πρέπει να συνδεθείτε στον δικό σας λογαριασμό Samsung.• Αν δεν διαθέτετε λογαριασμό Samsung, ακολουθήστε τις οδηγίες της εφαρμογής στην οθόνη για να δημιουργήσετε έναν.
Εμφανίζεται ένα μήνυμα σφάλματος όταν προσπαθώ να καταχωρίσω το ψυγείο μου.	<ul style="list-style-type: none">• Η εύκολη σύνδεση ενδέχεται να αποτύχει, λόγω της απόστασης του σημείου πρόσβασης (AP) ή ηλεκτρικών παρεμβολών από το περιβάλλον. Περιμένετε λίγο και προσπαθήστε ξανά.
Η εφαρμογή SmartThings έχει συνδεθεί επιτυχώς με το ψυγείο μου, αλλά δεν λειτουργεί.	<ul style="list-style-type: none">• Κλείστε και επανεκκινήστε την εφαρμογή SmartThings, ή αποσυνδέστε και επανασυνδέστε τον δρομολογητή.• Απενεργοποιήστε το ψυγείο και, στη συνέχεια, ενεργοποιήστε το ξανά μετά από 1 λεπτό.
Το εικονίδιο του Wi-Fi αναβοσβήνει. ()	<ul style="list-style-type: none">• Συνδέστε το ψυγείο με την εφαρμογή SmartThings πριν από τη χρήση. Όταν η σύνδεση είναι επιτυχής, η ένδειξη σταματά να αναβοσβήνει.<ul style="list-style-type: none">- Αν δεν μπορείτε να πραγματοποιήσετε τη σύνδεση ή δεν θέλετε να χρησιμοποιήσετε την εφαρμογή, κρατήστε πατημένο το κουμπί Fridge (Ψυγείο) για 10 δευτερόλεπτα. Η ένδειξη σταματά να αναβοσβήνει.

Παράρτημα

Οδηγίες για την ασφάλεια

- Για πιο αποδοτική χρήση ενέργειας, να αφήνετε όλα τα εσωτερικά εξαρτήματα όπως καλάθια, συρτάρια, ράφια και δίσκο για παγάκια στη θέση που προβλέπεται από τον κατασκευαστή.
- Αυτή η συσκευή ψυγείου δεν προορίζεται για χρήση ως εντοιχισμένη συσκευή.

Οδηγίες εγκατάστασης

Για συσκευές ψυγείου με κλιματική κλάση

Ανάλογα με την κλιματική κλάση, αυτή η συσκευή ψυγείου προορίζεται για χρήση στο εύρος θερμοκρασίας περιβάλλοντος που καθορίζεται στον παρακάτω πίνακα.

Μπορείτε να βρείτε την κλιματική κλάση στην πινακίδα τεχνικών στοιχείων. Το προϊόν ενδέχεται να μη λειτουργεί σωστά σε θερμοκρασίες εκτός του συγκεκριμένου εύρους.

Μπορείτε να βρείτε την κλιματική κλάση στην ετικέτα στο εσωτερικό του ψυγείου.

Ενεργό εύρος θερμοκρασίας

Το ψυγείο έχει σχεδιαστεί ώστε να λειτουργεί κανονικά στο εύρος θερμοκρασίας που καθορίζεται από την ονομαστική τιμή της κατηγορίας του.

Κατηγορία	Σύμβολο	Εύρος θερμοκρασίας περιβάλλοντος (°C)	
		IEC 62552 (ISO 15502)	ISO 8561
Εκτεταμένη εύκρατη	SN	+10 έως +32	+10 έως +32
Εύκρατη	N	+16 έως +32	+16 έως +32
Υποτροπική	ST	+16 έως +38	+18 έως +38
Τροπική	T	+16 έως +43	+18 έως +43

ΣΗΜΕΙΩΣΗ

Η απόδοση ψύξης και η κατανάλωση ενέργειας του ψυγείου ενδέχεται να επηρεαστούν από τη θερμοκρασία περιβάλλοντος, τη συχνότητα ανοίγματος της πόρτας και τη θέση του ψυγείου. Συνιστούμε να προσαρμόσετε τις ρυθμίσεις θερμοκρασίας όπως απαιτείται.

Οδηγίες για τη θερμοκρασία

Συνιστώμενη θερμοκρασία

Βέλτιστη ρύθμιση θερμοκρασίας για τη φύλαξη τροφίμων:

- Ψυγείο: 3 °C
- Καταψύκτης: -19 °C
- Ψυγείο στη λειτουργία Αλλαγή χρήσης καταψύκτη: 3 °C
- Μοντέλα με περιστροφικό διακόπτη: Βέλτιστη ρύθμιση θερμοκρασίας για τη φύλαξη τροφίμων
- Ψυγείο: 3η θέση (3 °C) / Καταψύκτης: 3η θέση (-19 °C)



ΣΗΜΕΙΩΣΗ

Η βέλτιστη ρύθμιση θερμοκρασίας για κάθε θάλαμο εξαρτάται από τη θερμοκρασία περιβάλλοντος. Η παραπάνω βέλτιστη θερμοκρασία βασίζεται σε θερμοκρασία περιβάλλοντος 25 °C.

Γρήγορη ψύξη

Η λειτουργία Γρήγορη ψύξη επιταχύνει τη διαδικασία ψύξης στη μέγιστη ταχύτητα ανεμιστήρα. Το ψυγείο λειτουργεί συνεχώς σε πλήρη ισχύ για δύομισι ώρες και, στη συνέχεια, επανέρχεται στην προηγούμενη θερμοκρασία.

Γρήγορη κατάψυξη

Η λειτουργία Γρήγορη κατάψυξη επιταχύνει τη διαδικασία κατάψυξης στη μέγιστη ταχύτητα ανεμιστήρα. Ο καταψύκτης λειτουργεί συνεχώς σε πλήρη ισχύ για 50 ώρες και, στη συνέχεια, επανέρχεται στην προηγούμενη θερμοκρασία. Για να καταψύξετε μεγάλες ποσότητες τροφίμων, ενεργοποιήστε τη λειτουργία Power Freeze (Γρήγορη κατάψυξη) επί τουλάχιστον 20 ώρες προτού τοποθετήσετε τα τρόφιμα στον καταψύκτη.



ΣΗΜΕΙΩΣΗ

Όταν χρησιμοποιείτε αυτή τη λειτουργία, η κατανάλωση ενέργειας του ψυγείου αυξάνεται. Θυμηθείτε να την απενεργοποιήσετε όταν δεν την χρειάζεστε πλέον και να επαναφέρετε τον καταψύκτη στην αρχική ρύθμιση θερμοκρασίας.

Τρόπος φύλαξης για την καλύτερη δυνατή συντήρηση (μόνο για τα κατάλληλα μοντέλα)

Σκεπάστε τα τρόφιμα για να διατηρούν την υγρασία τους και να αποτρέψετε τη μεταφορά οσμών από άλλα τρόφιμα. Μια μεγάλη κατσαρόλα με φαγητό όπως σούπα ή ραγού θα πρέπει να χωρίζεται σε μικρές μερίδες και να τοποθετείται σε ρηχά δοχεία προτού ψυχθεί. Ένα μεγάλο κομμάτι κρέατος ή ολόκληρο κοτόπουλο θα πρέπει να χωρίζεται σε μικρότερα κομμάτια ή να τοποθετείται σε ρηχά δοχεία προτού ψυχθεί.

Παράρτημα

Τοποθέτηση τροφίμων

Ράφια	Τα ράφια είναι ρυθμιζόμενα για να χωρούν διάφορες συσκευασίες.
Ειδικός θάλαμος (μόνο για τα κατάλληλα μοντέλα)	Τα στεγανοποιημένα συρτάρια φρούτων και λαχανικών παρέχουν βέλτιστο περιβάλλον φύλαξης για τα φρούτα και τα λαχανικά. Τα λαχανικά απαιτούν συνθήκες υψηλότερης υγρασίας, ενώ τα φρούτα απαιτούν συνθήκες χαμηλότερης υγρασίας. Τα συρτάρια φρούτων και λαχανικών διαθέτουν συσκευές ελέγχου, για τον έλεγχο του επιπέδου υγρασίας. (*Ανάλογα με το μοντέλο και τα προαιρετικά εξαρτήματα) Το συρτάρι κρεάτων ρυθμιζόμενης θερμοκρασίας μεγιστοποιεί τον χρόνο φύλαξης των κρεάτων και των τυριών.
Φύλαξη στην πόρτα	Μη φυλάσσετε ευπαθή τρόφιμα στην πόρτα. Τα αβγά θα πρέπει να φυλάσσονται μέσα στη θήκη τους σε ένα ράφι. Η θερμοκρασία των δοχείων φύλαξης στην πόρτα παρουσιάζει μεγαλύτερες διακυμάνσεις από τη θερμοκρασία στο εσωτερικό του θαλάμου. Διατηρείτε την πόρτα κλειστή για όσο το δυνατόν περισσότερο.
Θάλαμος καταψύκτη	Μπορείτε να φυλάξετε κατεψυγμένα τρόφιμα, να παρασκευάσετε παγάκια και να καταψύξετε φρέσκα τρόφιμα στον θάλαμο του καταψύκτη.

ΣΗΜΕΙΩΣΗ

Καταψύχετε μόνο φρέσκα τρόφιμα που δεν έχουν αλλοιωθεί. Να διατηρείτε τα τρόφιμα που πρόκειται να καταψύξετε μακριά από τρόφιμα που έχουν ήδη καταψυχθεί. Για να μη χάσουν τα τρόφιμα τη γεύση τους και για να μην ξεραθούν, να τα τοποθετείτε σε αεροστεγή δοχεία.

Πίνακας χρόνου φύλαξης ψυγείου και καταψύκτη

Ο χρόνος για τον οποίο διατηρούνται φρέσκα τα τρόφιμα εξαρτάται από τη θερμοκρασία και την έκθεση σε υγρασία. Επειδή οι ημερομηνίες που αναγράφονται στα προϊόντα δεν αποτελούν οδηγό ασφαλούς χρήσης ενός προϊόντος, συμβουλευτείτε αυτόν τον πίνακα και ακολουθήστε αυτές τις συμβουλές.

Γαλακτοκομικά προϊόντα

Προϊόν	Ψυγείο	Καταψύκτης
Γάλα	1 εβδομάδα	1 μήνας
Βούτυρο	2 εβδομάδες	12 μήνες
Παγωτό	-	2-3 εβδομάδες
Φυσικό τυρί	1 μήνας	4-6 μήνες
Τυρί κρέμα	2 εβδομάδες	Δεν συνιστάται
Γιαούρτι	1 μήνας	-

Κρέας

Προϊόν	Ψυγείο	Καταψύκτης
Φρέσκο ψητό κρέας, μπριζόλες, παϊδάκια	3-4 ημέρες	2-3 μήνες
Φρέσκος κιμάς, κρέας ραγού	1-2 ημέρες	3-4 μήνες
Μπέικον	7 ημέρες	1 μήνας
Λουκάνικο, ωμό από χοιρινό, μοσχάρι, γαλοπούλα	1-2 ημέρες	1-2 μήνες

Πουλερικά / Αβγά

Προϊόν	Ψυγείο	Καταψύκτης
Φρέσκα πουλερικά	2 ημέρες	6-8 μήνες
Σαλάτα με πουλερικά	1 ημέρα	-
Αβγά, φρέσκα στο τσόφλι	2-4 εβδομάδες	Δεν συνιστάται

Ψάρια / Θαλασσινά

Προϊόν	Ψυγείο	Καταψύκτης
Φρέσκο ψάρι	1-2 ημέρες	3-6 μήνες
Μαγειρεμένο ψάρι	3-4 ημέρες	1 μήνας
Σαλάτα με ψάρι	1 ημέρα	Δεν συνιστάται
Αποξηραμένο ή παστό ψάρι	3-4 εβδομάδες	-

Φρούτα

Προϊόν	Ψυγείο	Καταψύκτης
Μήλα	1 μήνας	-
Ροδάκινα	2-3 εβδομάδες	-
Ανανάς	1 εβδομάδα	-
Άλλα φρέσκα φρούτα	3-5 ημέρες	9-12 μήνες

Παράρτημα

Λαχανικά

Προϊόν	Ψυγείο	Καταψύκτης
Σπαράγγι	2-3 ημέρες	-
Μπρόκολο, λαχανάκια Βρυξελλών, αρακάς, μανιτάρια	3-5 ημέρες	-
Λάχανο, κουνουπίδι, σέλινο, αγγούρι, μαρούλι	1 εβδομάδα	-
Καρότα, παντζάρια, ραπανάκια	2 εβδομάδες	-

Πληροφορίες για το μοντέλο και την παραγγελία ανταλλακτικών

Πληροφορίες μοντέλου

Για να αποκτήσετε πρόσβαση στην καταχώριση EPREL του μοντέλου:

1. Μεταβείτε στη διαδικτυακή τοποθεσία <https://eprel.ec.europa.eu>
2. Λάβετε το αναγνωριστικό μοντέλου από την ετικέτα ενεργειακής απόδοσης του προϊόντος και πληκτρολογήστε το στο πλαίσιο αναζήτησης
3. Εμφανίζονται οι πληροφορίες ενεργειακής επισήμανσης του μοντέλου

Πληροφορίες ανταλλακτικών

- Ελάχιστο χρονικό διάστημα για το οποίο θα είναι διαθέσιμα τα ανταλλακτικά που είναι απαραίτητα για την επισκευή της συσκευής
 - 7 έτη για θερμοστάτες, αισθητήρες θερμοκρασίας, πλακέτες τυπωμένων κυκλωμάτων και πηγές φωτός, λαβές πόρτας, μεντεσέδες πόρτας, δίσκους, καλάθια (μεγάλα ή κανονικά συρτάρια)
 - 10 έτη για παρεμβύσματα πόρτας
- Η ελάχιστη διάρκεια της εγγύησης που προσφέρεται από τον κατασκευαστή για τη συσκευή ψυγείου είναι 24 μήνες.
- Σχετικές πληροφορίες για την παραγγελία ανταλλακτικών, απευθείας ή μέσω άλλων καναλιών, παρέχονται από τον κατασκευαστή, τον εισαγωγέα ή τον εξουσιοδοτημένο αντιπρόσωπο.
- Μπορείτε να βρείτε πληροφορίες για επαγγελματική επισκευή στη διαδικτυακή τοποθεσία <http://samsung.com/support>.
Μπορείτε να βρείτε το εγχειρίδιο σέρβις χρήστη στη διαδικτυακή τοποθεσία <http://samsung.com/support>.

Open Source Announcement

The software included in this product contains open source software.

The following URL http://opensource.samsung.com/opensource/SMART_TP2_0/seq/0 leads to open source license information as related to this product.



Σημειώσεις

Σημειώσεις

ΣΗΜΕΙΩΣΗ

Δια της παρούσης, η Samsung δηλώνει ότι αυτός ο ραδιοεξοπλισμός συμμορφώνεται με την Οδηγία 2014/53/ΕΕ και με τις σχετικές νομικές απαιτήσεις στο Ηνωμένο Βασίλειο.

Το πλήρες κείμενο της δήλωσης συμμόρφωσης ΕΕ και της δήλωσης συμμόρφωσης Ηνωμένου Βασιλείου είναι διαθέσιμο στην ακόλουθη διαδικτυακή διεύθυνση: Μπορείτε να βρείτε την επίσημη Δήλωση συμμόρφωσης στη διαδικτυακή τοποθεσία <http://www.samsung.com>. Μεταβείτε στο μενού Υποστήριξη > αναζητήστε υποστήριξη για το προϊόν σας και εισαγάγετε το όνομα του μοντέλου.

	Εύρος συχνοτήτων	Ισχύς πομπού (μέγιστη)
Wi-Fi	2412 - 2472 MHz	20 dBm
Bluetooth	2402 - 2480 MHz	20 dBm

Επικοινωνήστε με τη SAMSUNG σε όλο τον κόσμο

Εάν έχετε σχόλια ή ερωτήσεις σχετικά με προϊόντα της Samsung, επικοινωνήστε με το κέντρο εξυπηρέτησης πελατών της SAMSUNG.

Χώρα	Κέντρο επικοινωνίας	Διαδικτυακή τοποθεσία
CYPRUS	8009 4000 only from landline, toll free	www.samsung.com/gr/support
GREECE	80111-SAMSUNG (80111 726 7864) only from land line (+30) 210 6897691 from mobile and land line	
ITALIA	800-SAMSUNG (800.7267864)	www.samsung.com/it/support
PORTUGAL	210 608 098 Chamada para a rede fixa nacional Dias úteis das 9h às 20h	www.samsung.com/pt/support
SPAIN	91 175 00 15	www.samsung.com/es/support



DA68-03723H-00