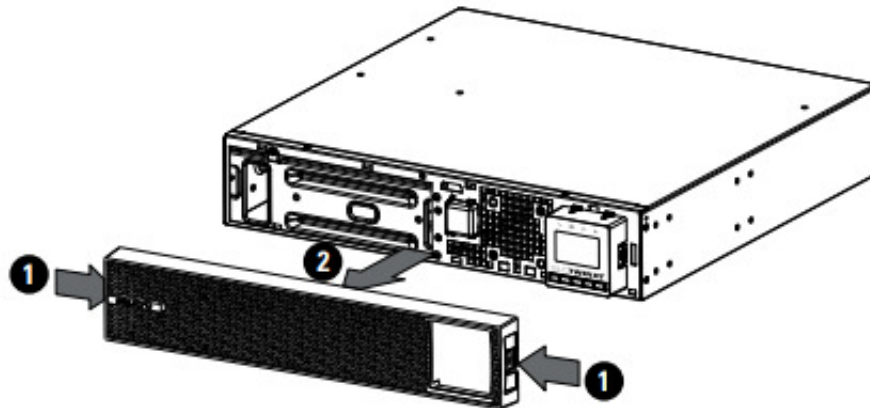


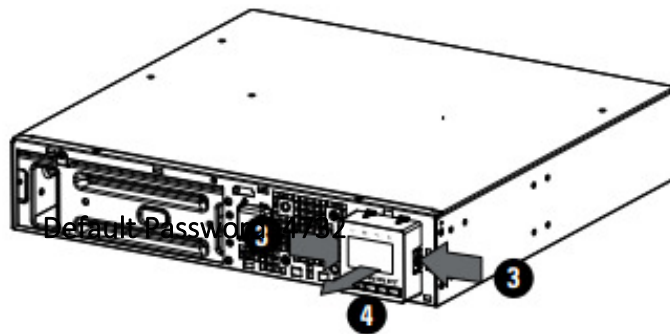
UPS-21XX Rotate LCD QIG

Vertical tower-type mounting.

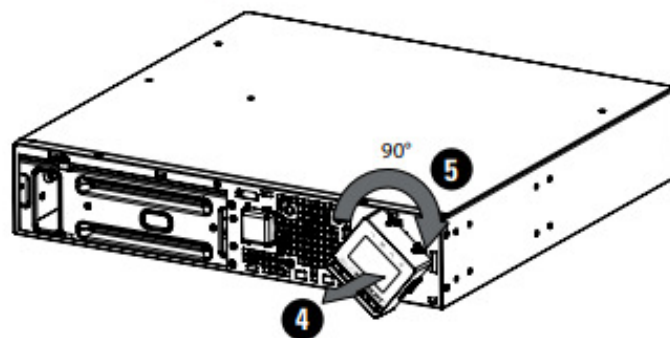
1. Push the button on two sides of front panel to remove front panel.



2. Push the button on two sides of LCD box, pull out the LCD panel from UPS.



3. Rotate the LCD panel with 90°.



Default Password :4732



CE marking is a certification mark that indicates conformity with health, safety, and environmental protection standards for products sold within the European Economic Area (EEA). The CE marking is also found on products sold outside the EEA that have been manufactured to EEA standards. This makes the CE marking recognizable worldwide even to people who are not familiar with the European Economic Area.

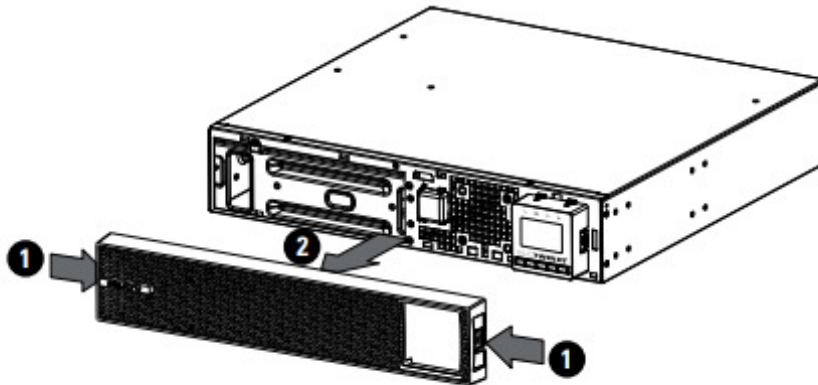


WEEE is waste electrical and electronic equipment. It is end-of-life electrical and electronic equipment and covers virtually everything with a plug or battery. ... The EC introduced the WEEE Directive in 2002 to address the environmental impacts of unwanted electrical and electronic equipment at end-of-life disposal.

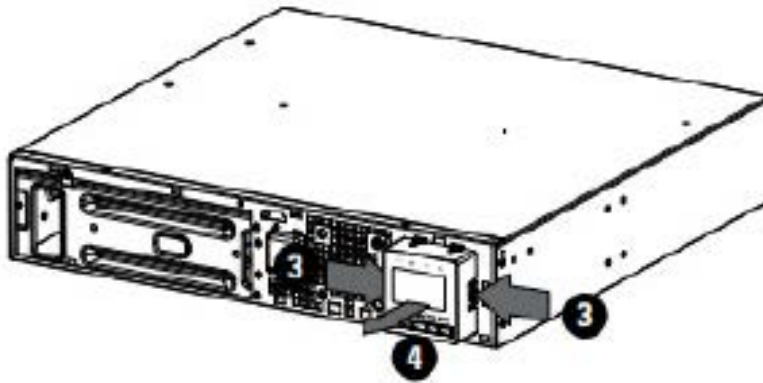
Deutsch Installation

Vertikale Tower-Montage.

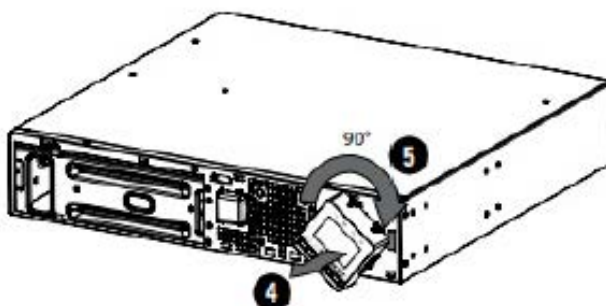
Drücken Sie die Taste auf beiden Seiten der Frontblende, um die Frontblende zu entfernen.



Drücken Sie die Taste auf beiden Seiten des LCD-Kastens und ziehen Sie das LCD-Panel aus der USV.



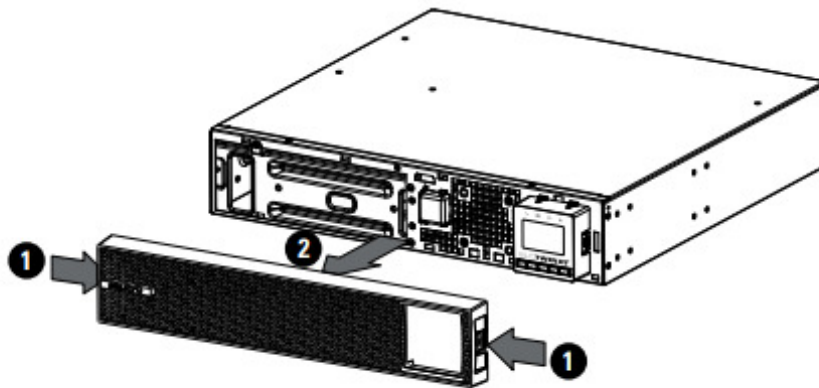
Drehen Sie das LCD-Panel um 90° .



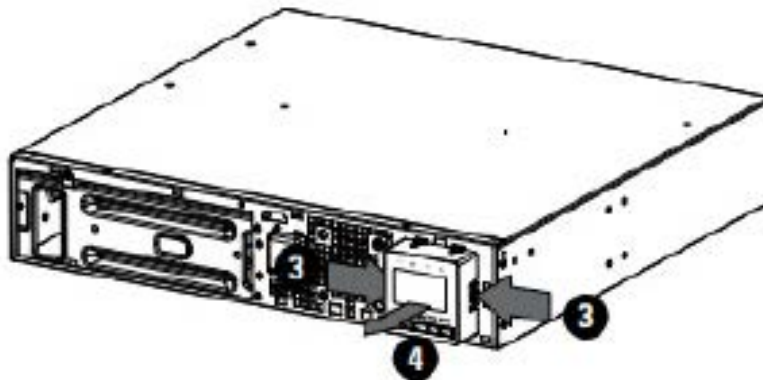
French

Montage de type tour vertical

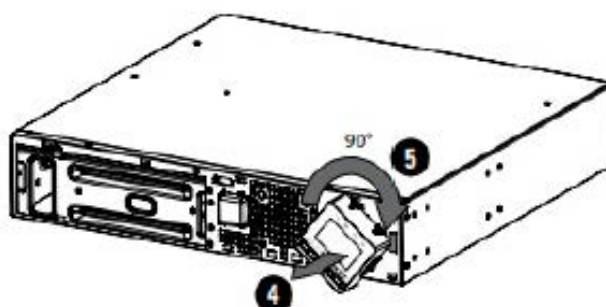
1. Appuyez sur les boutons des deux côtés du panneau avant pour retirer le panneau avant.



2. Appuyez sur les boutons des deux côtés du boîtier LCD, puis tirez le panneau LCD hors de l'onduleur (UPS).



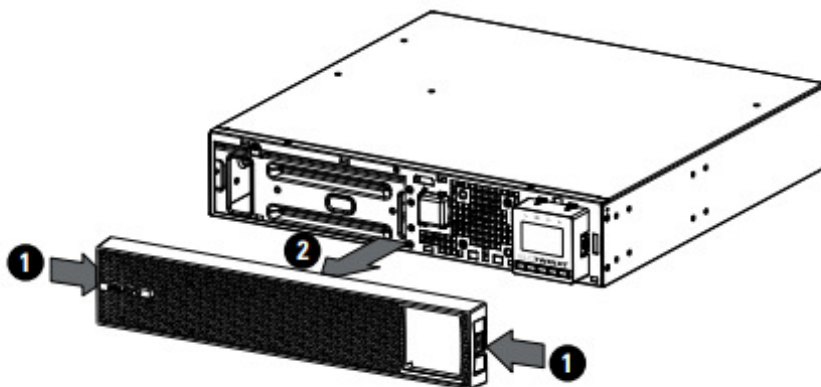
3. Faites pivoter le panneau LCD de 90° .



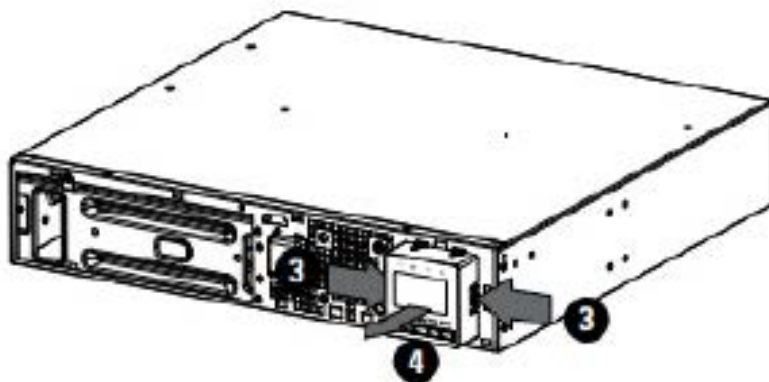
Español

Montaje tipo torre vertical.

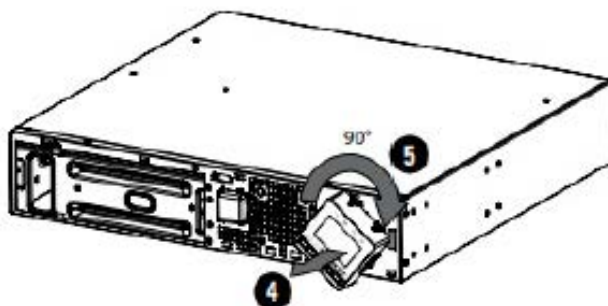
1. Presione el botón en ambos lados del panel frontal para retirar el panel frontal.



2. Presione el botón en ambos lados de la caja del LCD, y saque el panel LCD del UPS.



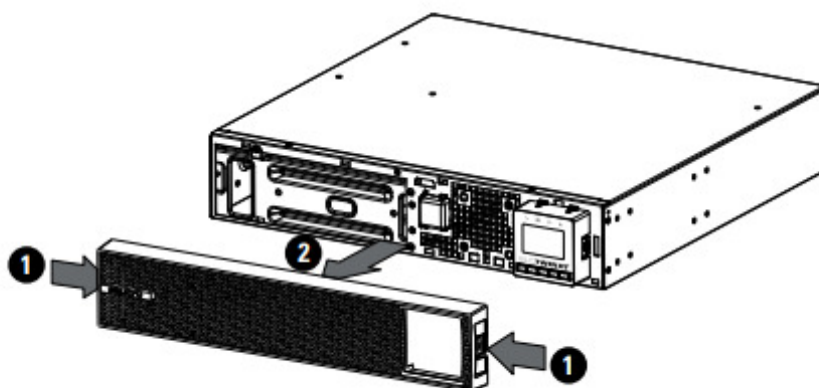
3. Gire el panel LCD 90° .



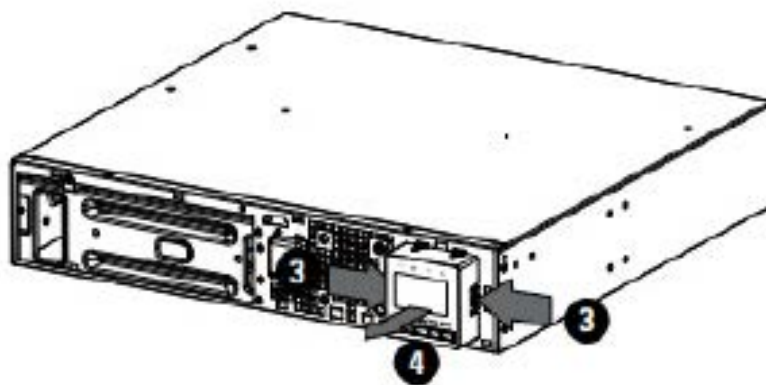
Italiano

Montaggio a torre verticale.

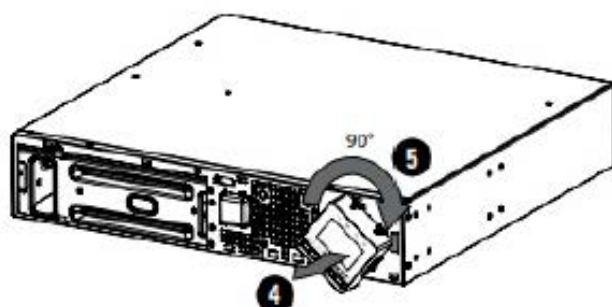
1 Premere il pulsante su entrambi i lati del pannello frontale per rimuovere il pannello frontale.



2. Premere il pulsante su entrambi i lati della scatola LCD e tirare fuori il pannello LCD dall'UPS.



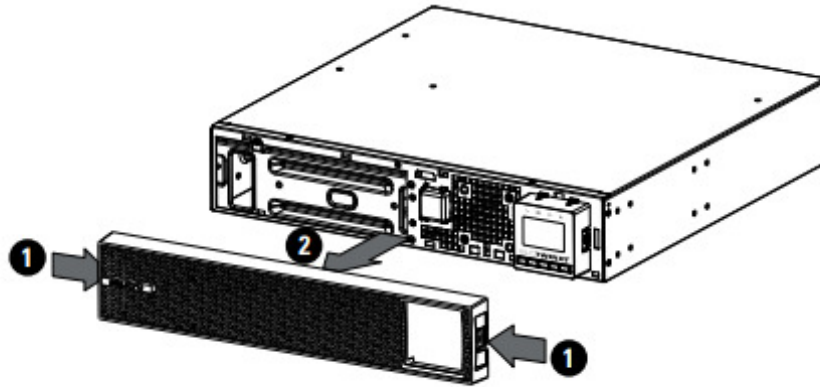
3. Ruotare il pannello LCD di 90° .



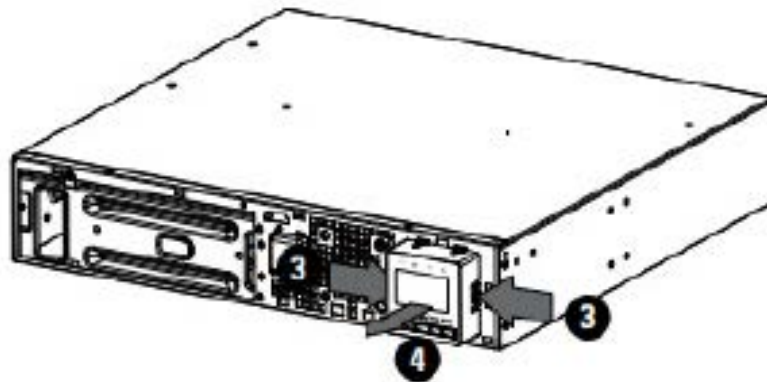
Português

Montagem do tipo torre vertical.

1. Pressione o botão em ambos os lados do painel frontal para remover o painel frontal.



2. Pressione o botão em ambos os lados da caixa de LCD e puxe o painel de LCD para fora do UPS



3. Gire o painel de LCD em 90°

