

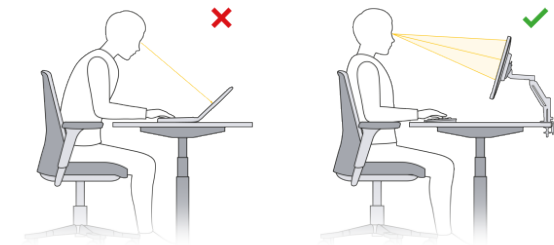
## BE Flexible Single



Easy to install, adjust and with lifetime guarantee this is the best monitor arm we've ever made!

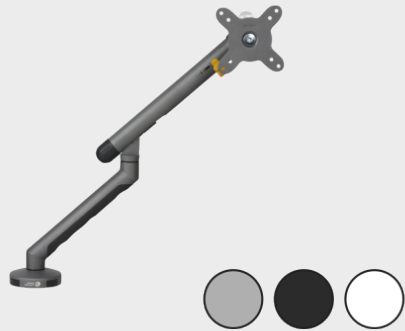
### The monitor arm at its best

The BE Flexible is as a monitor arm should be, quick and very easy to install, equipped with the latest innovative technology and also made of 72% recycled material and is 100% recyclable! Everything you need for your ideal workplace.



### Ergonomic background

Placing the screen too low can lead to tension in the upper neck. Placing it too high (the top should not be above eye level) can also lead to problems. Even more important is the adjustability of the depth, ensuring an optimal viewing distance. This allows you to better take in information and puts the least amount of strain on the eyes. This optimal screen position works better, more comfortably and increases productivity by 10% when compared to an incorrect positioning (Sommerich et al,1998).



## BE Flexible Monitorarm Single Dark Grey

### Article code

BNEBFSDG

### Barcode/ EAN-code on product package

8719274677000

### Guarantee period [years]

Lifelong (after registration)

Click or scan for more  
information >



### Available documents

|                             |           |
|-----------------------------|-----------|
| Manual available            | Yes       |
| Manual in package           | Yes       |
| Manual language             | Universal |
| Technical drawing available | Yes       |

### Product dimensions

|                               |      |
|-------------------------------|------|
| Product weight [g]            | 2300 |
| Product dimension length [mm] | 98   |
| Product dimension width [mm]  | 387  |
| Product dimension height [mm] | 485  |

### Battery & accu information

|                 |    |
|-----------------|----|
| Battery needed? | No |
|-----------------|----|

### Height settings

|                              |          |
|------------------------------|----------|
| Height adjustment            | Yes      |
| Type of height adjustment    | Mechanic |
| Height steplessly adjustable | Yes      |

### Depth settings

|                                |     |
|--------------------------------|-----|
| Depth adjustment               | Yes |
| Depth of minimum position [mm] | 170 |
| Depth of maximum position [mm] | 582 |

### Tiltable settings

|                       |     |
|-----------------------|-----|
| Tiltable (up or down) | Yes |
| Tiltable degrees      | 180 |

### Package

|                                      |      |
|--------------------------------------|------|
| Package weight including product [g] | 3060 |
| Package dimension length [mm]        | 440  |
| Package dimension width [mm]         | 211  |
| Package dimension height [mm]        | 125  |

### Product design

|                                           |                                                      |
|-------------------------------------------|------------------------------------------------------|
| Product colour(s)                         | Dark Grey, Black                                     |
| Maximum permitted weight [kg]             | 10                                                   |
| Cable management included                 | Yes                                                  |
| Suitable for laptop or screen size (inch) | 17-35" (for flat screen), 17-32" (for curved screen) |
| Package content                           | Monitor Arm part(s), Clamps, Allen key, Manual       |
| Clamp range maximum [mm]                  | 80                                                   |

### Material product

|                       |                                                               |
|-----------------------|---------------------------------------------------------------|
| Product material(s)   | Aluminium, Steel, Plastic (ABS), Plastic (TPR), Plastic (PA6) |
| Product Recycled %    | 72                                                            |
| Product recyclable %  | 100                                                           |
| Product biodegradable | No                                                            |

### Package material

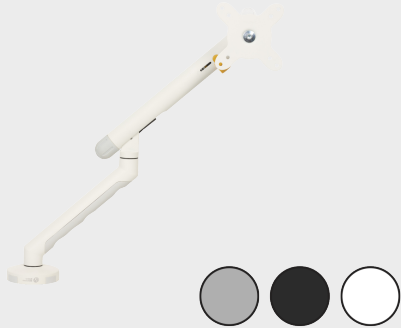
|                         |               |
|-------------------------|---------------|
| Package material (s)    | Paper/ Carton |
| Package recycled %      | 100           |
| Package recyclable %    | 100           |
| Package biodegradable   | Yes           |
| Package biodegradable % | 100           |

### Monitor arms

|                                  |                           |
|----------------------------------|---------------------------|
| Mounting(s) included in the box  | Desk clamp, Bolth through |
| Rotation (landscape or portrait) | Yes                       |
| Rotation degrees                 | 360                       |
| Pan (left or right)              | Yes                       |
| Pan degrees                      | 180                       |
| Rotation stop?                   | No                        |
| Suitable for amount of screens   | 1                         |
| Expandable for multiple screens  | No                        |
| Vesa sizes                       | 75x75, 100x100            |
| Static or dynamic                | Dynamic                   |

### Ergonomics, environment & quality

|                               |                                                                             |
|-------------------------------|-----------------------------------------------------------------------------|
| Declaration of Sustainability | <a href="#">be-declaration-of-sustainability-be-flexible-1712308974.pdf</a> |
|-------------------------------|-----------------------------------------------------------------------------|



## BE Flexible Monitorarm Single White

### Article code

BNEBFSW

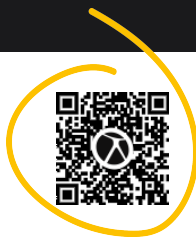
### Barcode/ EAN-code on product package

8719274677024

### Guarantee period [years]

Lifelong (after registration)

Click or scan for more  
information >



### Available documents

|                             |           |
|-----------------------------|-----------|
| Manual available            | Yes       |
| Manual in package           | Yes       |
| Manual language             | Universal |
| Technical drawing available | Yes       |

### Product dimensions

|                               |      |
|-------------------------------|------|
| Product weight [g]            | 2300 |
| Product dimension length [mm] | 98   |
| Product dimension width [mm]  | 387  |
| Product dimension height [mm] | 485  |

### Height settings

|                              |          |
|------------------------------|----------|
| Height adjustment            | Yes      |
| Type of height adjustment    | Mechanic |
| Height steplessly adjustable | Yes      |

### Depth settings

|                                |     |
|--------------------------------|-----|
| Depth adjustment               | Yes |
| Depth of minimum position [mm] | 170 |
| Depth of maximum position [mm] | 582 |

### Tiltable settings

|                       |     |
|-----------------------|-----|
| Tiltable (up or down) | Yes |
| Tiltable degrees      | 180 |

### Package

|                                      |      |
|--------------------------------------|------|
| Package weight including product [g] | 3060 |
| Package dimension length [mm]        | 440  |
| Package dimension width [mm]         | 211  |
| Package dimension height [mm]        | 125  |

### Product design

|                                           |                                                      |
|-------------------------------------------|------------------------------------------------------|
| Product colour(s)                         | White, Light Grey                                    |
| Maximum permitted weight [kg]             | 10                                                   |
| Cable management included                 | Yes                                                  |
| Suitable for laptop or screen size (inch) | 17-35" (for flat screen), 17-32" (for curved screen) |
| Package content                           | Monitor Arm part(s), Clamps, Allen key, Manual       |
| Clamp range maximum [mm]                  | 80                                                   |

### Material product

|                       |                                                               |
|-----------------------|---------------------------------------------------------------|
| Product material(s)   | Aluminium, Steel, Plastic (ABS), Plastic (TPR), Plastic (PA6) |
| Product Recycled %    | 72                                                            |
| Product recyclable %  | 100                                                           |
| Product biodegradable | No                                                            |

### Package material

|                         |              |
|-------------------------|--------------|
| Package material (s)    | Paper/Carton |
| Package recycled %      | 100          |
| Package recyclable %    | 100          |
| Package biodegradable   | Yes          |
| Package biodegradable % | 100          |

### Battery & accu information

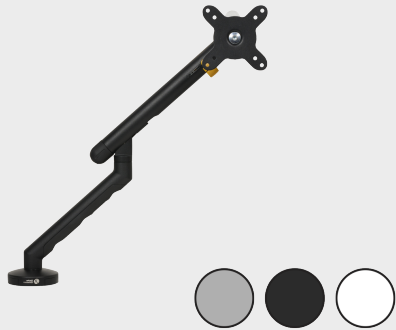
|                 |    |
|-----------------|----|
| Battery needed? | No |
|-----------------|----|

### Monitor arms

|                                  |                           |
|----------------------------------|---------------------------|
| Mounting(s) included in the box  | Desk clamp, Bolth through |
| Rotation (landscape or portrait) | Yes                       |
| Rotation degrees                 | 360                       |
| Pan (left or right)              | Yes                       |
| Pan degrees                      | 180                       |
| Rotation stop?                   | No                        |
| Suitable for amount of screens   | 1                         |
| Expandable for multiple screens  | No                        |
| Vesa sizes                       | 75x75, 100x100            |
| Static or dynamic                | Dynamic                   |

### Ergonomics, environment & quality

|                               |                                                                             |
|-------------------------------|-----------------------------------------------------------------------------|
| Declaration of Sustainability | <a href="#">be-declaration-of-sustainability-be-flexible-1712309107.pdf</a> |
|-------------------------------|-----------------------------------------------------------------------------|



## BE Flexible Monitorarm Single Black

### Article code

BNEBFSB

### Barcode/ EAN-code on product package

8719274677017

### Guarantee period [years]

Lifelong (after registration)

Click or scan for more  
information >



### Available documents

|                             |           |
|-----------------------------|-----------|
| Manual available            | Yes       |
| Manual in package           | Yes       |
| Manual language             | Universal |
| Technical drawing available | Yes       |

### Product dimensions

|                               |      |
|-------------------------------|------|
| Product weight [g]            | 2300 |
| Product dimension length [mm] | 98   |
| Product dimension width [mm]  | 387  |
| Product dimension height [mm] | 485  |

### Height settings

|                              |          |
|------------------------------|----------|
| Height adjustment            | Yes      |
| Type of height adjustment    | Mechanic |
| Height steplessly adjustable | Yes      |

### Depth settings

|                                |     |
|--------------------------------|-----|
| Depth adjustment               | Yes |
| Depth of minimum position [mm] | 170 |
| Depth of maximum position [mm] | 582 |

### Tiltable settings

|                       |     |
|-----------------------|-----|
| Tiltable (up or down) | Yes |
| Tiltable degrees      | 180 |

### Package

|                                      |      |
|--------------------------------------|------|
| Package weight including product [g] | 3060 |
| Package dimension length [mm]        | 440  |
| Package dimension width [mm]         | 211  |
| Package dimension height [mm]        | 125  |

### Product design

|                                           |                                                      |
|-------------------------------------------|------------------------------------------------------|
| Product colour(s)                         | Black                                                |
| Maximum permitted weight [kg]             | 10                                                   |
| Cable management included                 | Yes                                                  |
| Suitable for laptop or screen size (inch) | 17-35" (for flat screen), 17-32" (for curved screen) |
| Package content                           | Monitor Arm part(s), Clamps, Allen key, Manual       |
| Clamp range maximum [mm]                  | 80                                                   |

### Material product

|                       |                                                               |
|-----------------------|---------------------------------------------------------------|
| Product material(s)   | Aluminium, Steel, Plastic (ABS), Plastic (TPR), Plastic (PA6) |
| Product Recycled %    | 72                                                            |
| Product recyclable %  | 100                                                           |
| Product biodegradable | No                                                            |

### Package material

|                         |              |
|-------------------------|--------------|
| Package material (s)    | Paper/Carton |
| Package recycled %      | 100          |
| Package recyclable %    | 100          |
| Package biodegradable   | Yes          |
| Package biodegradable % | 100          |

### Battery & accu information

|                 |    |
|-----------------|----|
| Battery needed? | No |
|-----------------|----|

### Monitor arms

|                                  |                           |
|----------------------------------|---------------------------|
| Mounting(s) included in the box  | Desk clamp, Bolth through |
| Rotation (landscape or portrait) | Yes                       |
| Rotation degrees                 | 360                       |
| Pan (left or right)              | Yes                       |
| Pan degrees                      | 180                       |
| Rotation stop?                   | No                        |
| Suitable for amount of screens   | 1                         |
| Expandable for multiple screens  | No                        |
| Vesa sizes                       | 75x75, 100x100            |
| Static or dynamic                | Dynamic                   |

### Ergonomics, environment & quality

|                               |                                                                             |
|-------------------------------|-----------------------------------------------------------------------------|
| Declaration of Sustainability | <a href="#">be-declaration-of-sustainability-be-flexible-1712309017.pdf</a> |
|-------------------------------|-----------------------------------------------------------------------------|