

LFD - SIGNAGE DISPLAYS**INFORMATION****55" Vivid-Bright Display with 4K resolution and 800cd/m² panels for illuminating communication**

Create dynamic, show stopping content, designed to entice and captivate your audience. The LH5565UHSB vivid-bright display, boasting 800cd/m², can be operated in landscape or portrait orientation in continual around the clock environments 24/7 without any interruption. Its versatility can be adapted to your industry's display needs. On-board Android 11 OS means you can easily customize the display to your needs and smoothly run third party applications, including multiple CMS platforms.

The on-board [iiSignage²](#) (Content Management System) gives you total control of your messaging and advertising remotely and safely. The Signal FailOver feature ensures your content is always actively displayed through your choice of inputs for mission critical environments. The built-in (and removable) WiFi module means this series is ready for remote content delivery using your network.

With [iiControl](#) (DMS), [iiShare](#) and the integrated [EShare](#) app (wireless screen sharing) you bring effortless ideation and efficient collaboration in your enterprise or school. You can start sharing wirelessly easier than ever before.



Android OS

Thanks to Android OS, you can easily customize the display to your needs by installing applications directly to it.

4 SIMPLE STEPS

TO REACH YOUR AUDIENCE



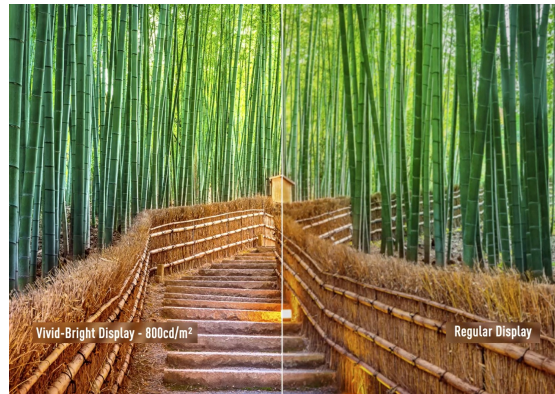
iiSignage²

iiSignage² is our digital signage content management platform to easily show and control your content and to manage your displays in a secure way. The Content Management System (CMS) gives you total control of your messaging and advertising remotely and safely.



Signal FailOver

FailOver is a feature which automatically detects input sources. When there is no signal on the default input it will automatically switch to the next available input. FailOver allows customers to prioritize a number of inputs (incl. Browser, Media Player and Custom) and ensures your content is always actively displayed, assuring active content at all times.



VIVID-BRIGHT DISPLAYS

Designed for maximum exposure, these **800cd/m²** vivid-bright displays will illuminate your communication. Entice and captivate your audience with dynamic, show stopping content.

SPECIFICATION

01 DISPLAY CHARACTERISTICS

Design	Thin bezel
Diagonal	54.6", 139cm
Panel	IPS, haze 1%
Native resolution	3840 x 2160 @60Hz (8.3 MegaPixels 4K UHD)
Aspect ratio	16:9
Panel brightness	800 cd/m ²
Static contrast	1200:1
Response time (GTG)	8ms
Viewing zone	horizontal/vertical: 178°/178°, right/left: 89°/89°, up/down: 89°/89°
Colour support	1.07G (8 Bits+FRC) (NTSC 72%)
Horizontal Sync	28 - 160kHz
Viewable area W x H	1209.6 x 680.4mm, 47.6 x 26.8"
Bezel width (sides, top, bottom)	14.9mm, 14.9mm, 14.9mm
Pixel pitch	0.315mm
Bezel colour and finish	black

02 INTERFACES / CONNECTORS / CONTROLS

Digital signal input	HDMI x2 (v.2.0, max. 3840x2160 @60Hz) DisplayPort x1 (v.1.2, max. 3840x2160 @60Hz)
Monitor control input	RS-232c x1 (2.5mm sub-mini jack) RJ45 (LAN) x1 IR x1 (3.5mm stereo mini)
Audio output	Mini jack x1 Speakers 2 x 10W
Monitor control output	RS-232c x1
HDCP	v.2.2
USB ports	x2 (v.2.0)

03 FEATURES

Integrated software	Android 11 OS, iiSignage ² , iiControl, iiShare, FailOver, EShare
WiFi	yes (Built-in, 802.11ac)
Hardware	CPU: A73*4+A53*4, GPU: G52 MP8, RAM: 4GB, ROM: 32GB
Max. non-stop operating time	24/7
Media playback	yes
Housing (bezel)	metal

04 GENERAL

OSD languages	EN, DE, FR, ES, IT, CN, RU, JP, CZ, NL, PL, SV, FI, DA, NB
Control buttons	Power
User controls	picture (brightness, contrast, sharpness, black level, tint, colour, noise reduction, gamma selection, low blue light, colour temperature, colour control, picture reset), screen (zoom mode, custom zoom, screen reset), audio (balance, treble, bass, volume, audio out, maximum volume, minimum volume, mute, audio reset, audio out sync, speaker setting), configuration 1 (Android launcher, switch on state, panel saving, RS232-routing, boot on source, WOL, configuration 1 reset, factory reset), configuration 2 (OSD timeout, OSD H-Position, OSD V-position, system rotation, information OSD, logo and animation, logo setting, animation setting, monitor ID, monitor information, HDMI version, configuration 2 reset), advanced option (no signal image, IR control, power LED light, off timer, schedule, HDMI with one wire, HDMI with one wire power off, FailOver, language, OSD transparency, power saving, auto power off, advanced option reset)
Plug&Play	DDC2B

05 MECHANICAL

Orientation	landscape, portrait
Fanless design	yes
VESA mounting	400 x 400mm
Operation temperature range	0°C - 40°C
Storage temperature range	- 20°C - 60°C
MTBF	50.000 hours (excluding backlight)

06 ACCESSORIES INCLUDED

Cables	power (1.8m), HDMI (1.8m), RS-232c (1.8m)
Guides	quick start guide, safety guide
Other	Stickers for screw holes, Adhesive clips for cable management, AC switch cover
Remote control	yes (batteries included)

07 POWER MANAGEMENT

Power supply unit	internal
Power supply	AC 100 - 240V, 50/60Hz
Power usage	78W typical, 0.5W stand by, 0.3W off mode

08 SUSTAINABILITY

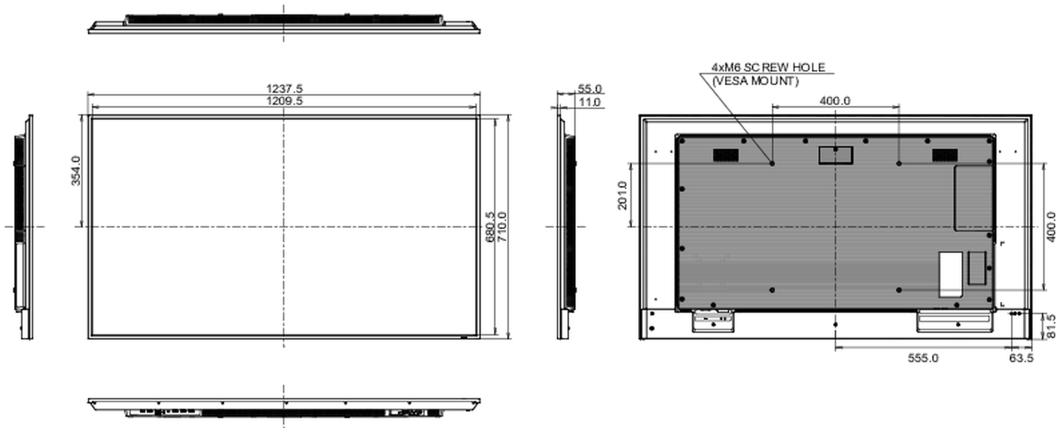
Regulations	CE, TÜV-Bauart, RoHS support, ErP, WEEE, REACH, UKCA
Energy efficiency class (Regulation (EU) 2017/1369)	E
REACH SVHC	above 0.1%: Lead, Lead monoxide

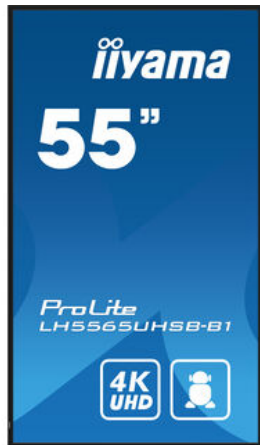
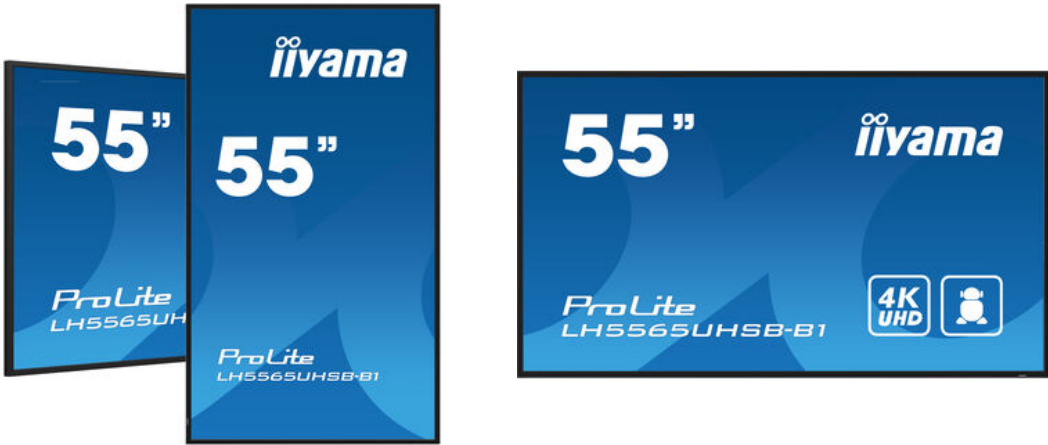
09 DIMENSIONS / WEIGHT

Product dimensions W x H x D	1237.5 x 710 x 55mm
Box dimensions W x H x D	1386 x 845 x 130mm
Weight (without box)	14.6kg
Weight (with box)	19.8kg
EAN code	4948570123575

10 EU ENERGY EFFICIENCY LABEL

Energy efficiency class (Regulation (EU) 2017/1369)	E
Visible screen diagonal	139cm; 54.6"; (55" segment)
ON mode power consumption	78W







All trademarks and registered trademarks acknowledged. E & O E. Specification subject to change without notice. All LCD's comply with ISO-9241-307:2008 in connection with pixel defects. © IYAMA CORPORATION. ALL RIGHTS RESERVED