



AV1000 Powerline AX1500 Wi-Fi 6 Kit

Extend Fast, Reliable Wi-Fi to Every Room



TL-WPA7817 KIT

 Plug and Play

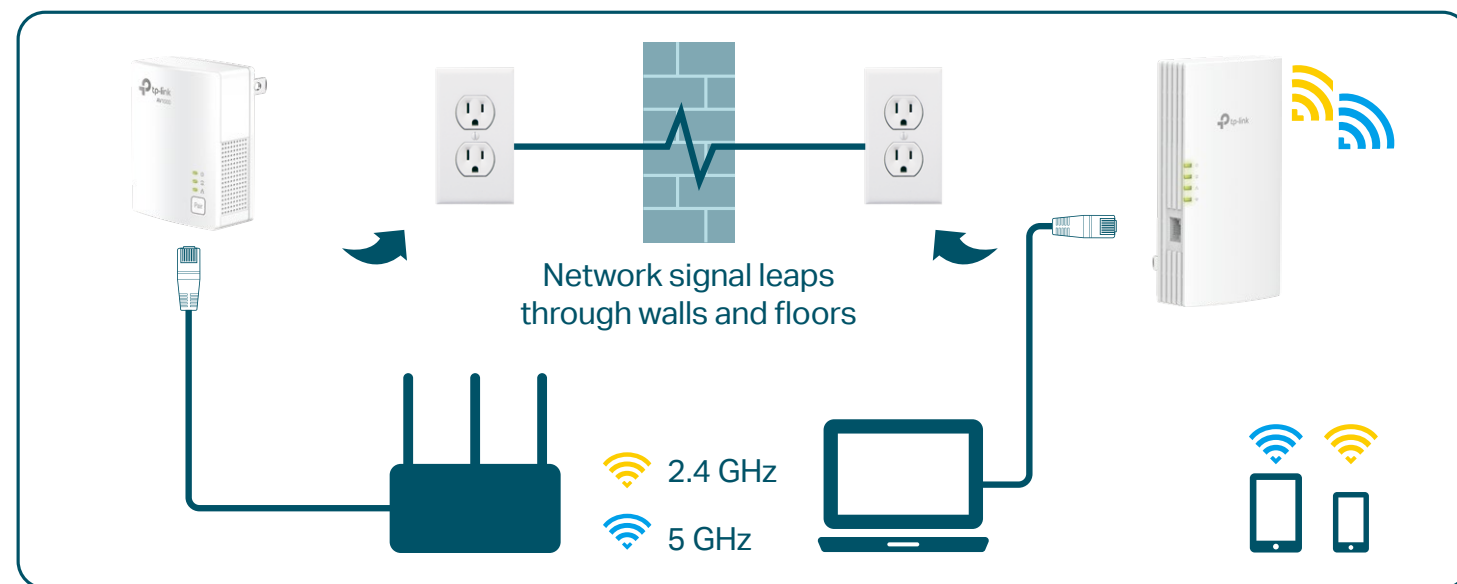
 One-Touch Wi-Fi Configuration

 One-Button Security

Highlights

Plug and Play

Powerline adapters and extenders must be deployed in a set of two or more and be connected to the same service panel.



EasyMesh-Compatible

Connect with an EasyMesh-compatible router to create a mesh network for seamless whole home coverage or any other Wi-Fi router to boost your Wi-Fi range.



Seamless Roaming

Connects mobile devices to your routers or extenders that provide the best coverage. Devices compatible with EasyMesh also share a single Wi-Fi name so you stay connected in every room.



Flexible Scalability

Flexibly scale your home networking with different vendors,* different topologies, different Protocols and different product categories.



Easy Setup and Management

Easily set up and manage a unified Mesh network.

*TP-Link EasyMesh-compatible products can network with other devices that use EasyMesh. Failed connections may be due to firmware conflicts of different vendors. The EasyMesh-Compatible function is still being developed on some models and will be supported in subsequent software updates. This product is compatible with standardized EasyMesh technology but has not obtained the Wi-Fi EasyMesh certification.

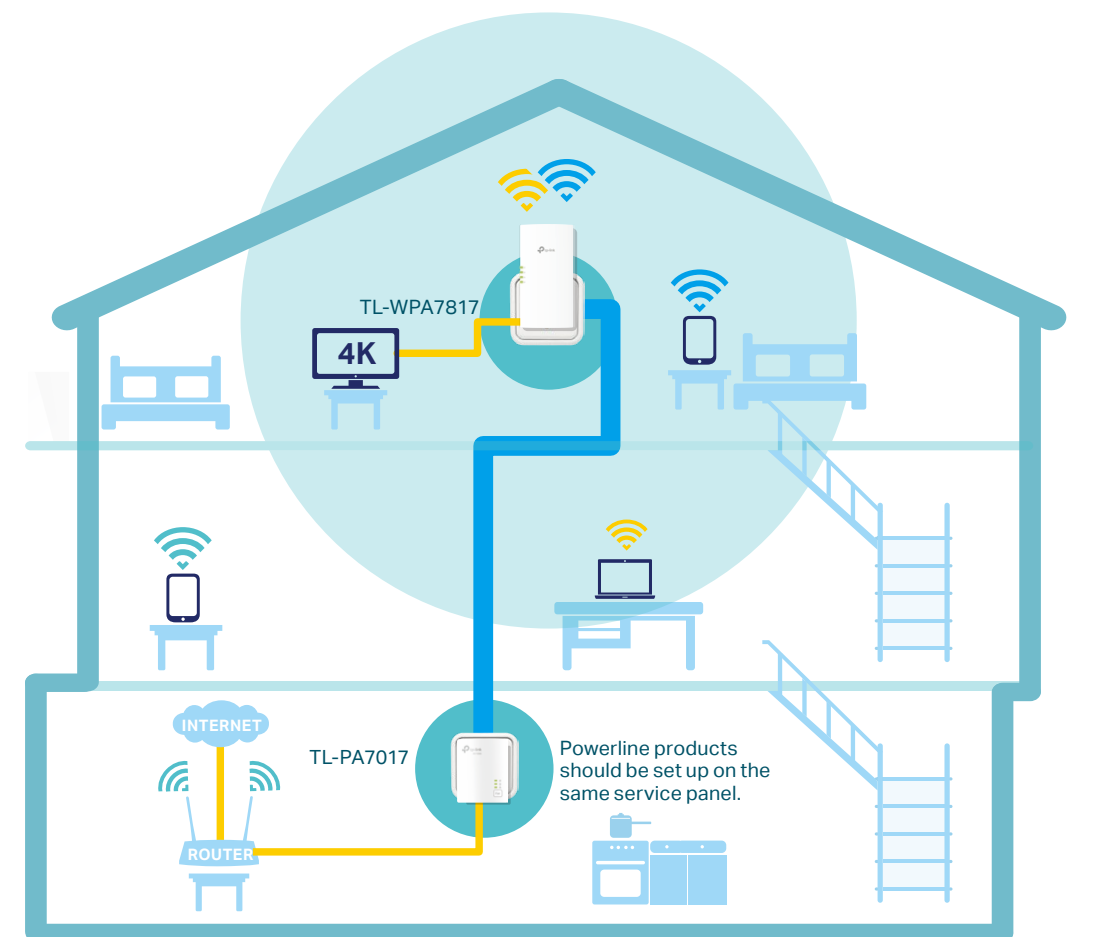
For more information, visit <https://www.tp-link.com/easymesh/>.

Highlights

Easily Extend Fast, Reliable Wi-Fi to Every Room

The AV1000 Gigabit Powerline AX1500 Wi-Fi 6 Kit brings internet to any area with a power outlet using your home's electrical wiring.

- No need for new wires or drilling
- Network passes through walls and floors
- Connects more devices by adding more adapters



- Electrical Wiring
- Ethernet Cable
- 📶 2.4 GHz 300 Mbps[†]
- 📶 5 GHz 1201 Mbps[†]
- Wi-Fi from TL-WPA7817

AV1000 Powerline



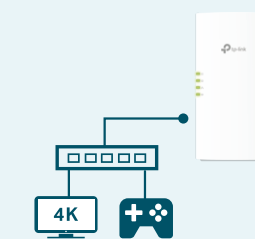
HomePlug AV2 Standard Compliant

Provides stable, high-speed data transfer rates up to 1000 Mbps with a maximum range of 300 meters over your existing wiring.[†]



One-Touch Wi-Fi Configuration

With just a tap, copy your router's wireless settings onto the extender to share the same SSID and password.



Gigabit Ethernet for Reliable Connections

Provide warp-speed wired connections for 4K HD streaming, lag-free gaming, and more.



Easy Setup and Management

Quickly set up a secured Powerline network with Plug & Play and easily manage it via the tpPLC app, Utility, and/or Web Interface.

Features



Speed

- HomePlug AV2– Provides up to 1000Mbps high-speed data transmission over a home's existing electrical wiring
- Gigabit Ethernet Ports – Provide reliable high-speed wired connections for game consoles, smart TVs, and NAS
- Speed Optimization – Supports IGMP managed multicast IP transmission, optimizing IPTV streaming



Ease of Use

- Plug, pair and play – Plug, pair and play, no configuration required
- No new wires – No new wires, use existing electrical wiring to expand your home network
- TP-Link tpPLC – Allows you to easily manage your network using the tpPLC Utility



Range

- 300 meters Range – Up to 300 meters / 1000 feet range over the existing household power circuit.



Design

- Compact Design – Small and elegant, fits your room



Security

- Pair Button – 128-bit AES encryption easily at a push of the "Pair" button



Energy Saving

- Power Saving – Power Saving Mode helps reducing power consumption by up to 85%

Specifications

Hardware

- Transmission Speeds:

Powerline: Up to 1000 Mbps

Ethernet: 10/100/1000 Mbps

- Standards and Protocols:

HomePlug AV2, HomePlug AV, IEEE 1901, IEEE 802.3, IEEE 802.3u, IEEE 802.3ab, IEEE 802.11b/g/n (2.4GHz), IEEE 802.11a/n/ac/ax (5GHz)

- Interface: TL-WPA7817: 1 Ethernet Port; TL-PA7017: 1 Ethernet Port

- Plug Type: US

- Button: Pair, Wi-Fi (TL-WPA7817 only)

- LED Indicator: Power, Powerline, Ethernet, Wi-Fi (TL-WPA7817 only)

- Dimensions (W x D x H):

TL-WPA7817: 3.1 × 1.3 × 5.9 in. (78 × 33.9 × 149 mm)

TL-PA7017: 2.0 × 1.3 × 2.6 in. (52 × 33.5 × 65 mm)

- IGMP: IGMP v1/v2/v3

- Power Consumption:

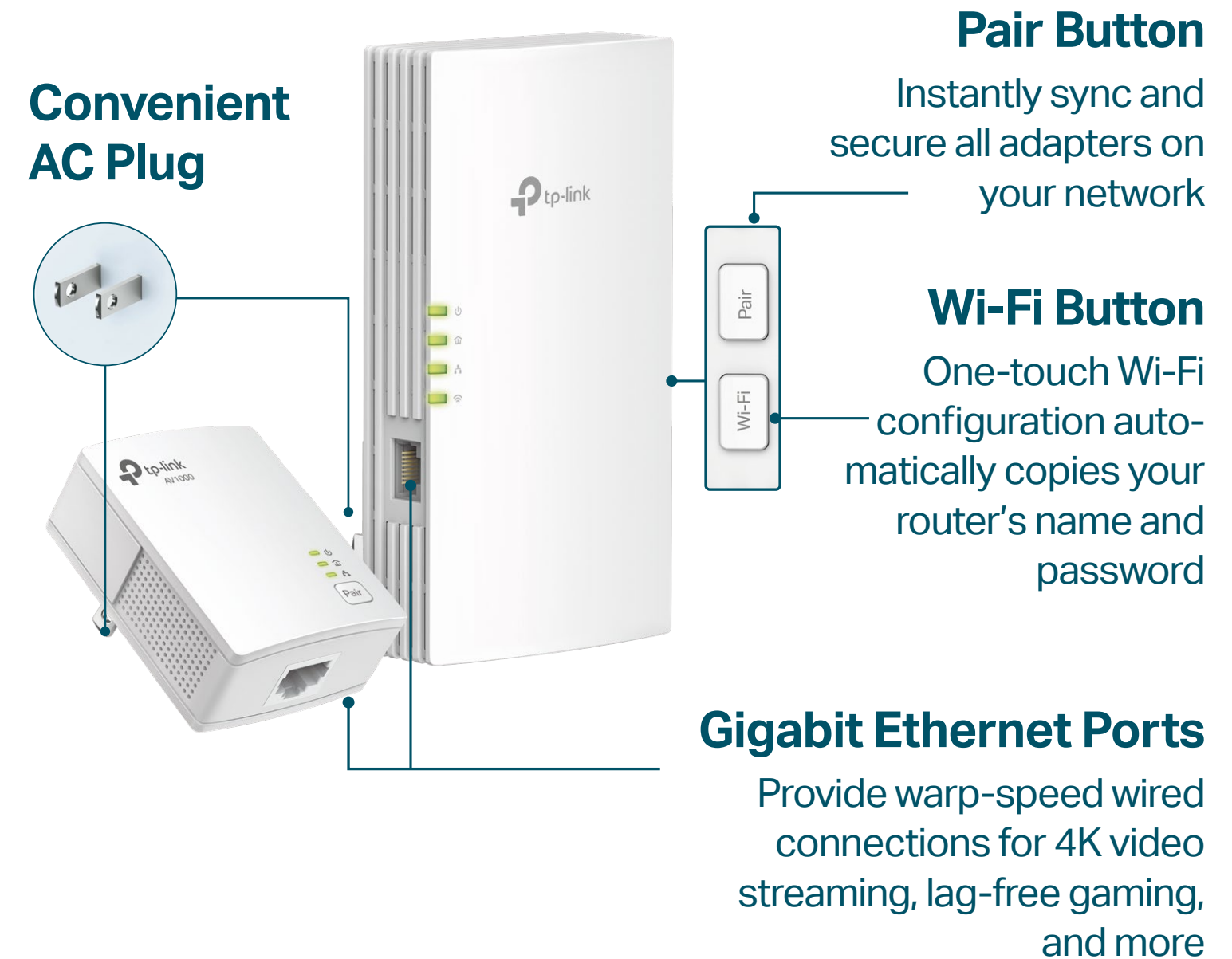
TL-WPA7817: Maximum: 12.56 W, Typical: 8.25 W

TL-PA7017: Maximum: 2.9 W, Typical: 2.6 W

- Range: Up to 300 meters / 1000 feet over existing electrical wiring[†]

- Compatibility:

Compatible with all routers and HomePlug AV/AV2 Powerline adapters[§]



www.tp-link.com

TP-Link AV1000 Powerline AX1500 Wi-Fi 6 Kit TL-WPA7817 KIT

Specifications

Software

- Modulation Technology: OFDM (PLC)

- Security:

Wireless: WPA-PSK / WPA2-PSK, WPA3 Encryptions

Powerline: 128-bit AES Encryption

- Management Tools:

tpPLC: Scan the QR code to download TP-Link tpPLC App



For more information, please visit

https://www.tp-link.com/products/details/?model=TL-WPA7817+KIT_V1

or scan the QR code left

Attention: This device may only be used indoors in all EU member states, EFTA countries and Northern Ireland.

Specifications are subject to change without notice. All the brands and product names are trademarks or registered trademarks of their respective holders. Copyright ©2024 TP-LINK CORPORATION PTE. LTD. All rights reserved.

[†]Maximum Powerline signal rates are the physical rates derived from Homeplug AV/AV2 specifications. Actual Powerline data throughput and Powerline range are not guaranteed and will vary as a result of network conditions and environmental factors, including electrical interference, volume of traffic and network overhead, AFCI circuit breaker, and Powerline adapters separated between two or more service panels.

[‡]Maximum wireless signal rates are the physical rates derived from IEEE Standard 802.11 specifications. Actual wireless data throughput and wireless coverage are not guaranteed and will vary as a result of network conditions, client limitations, and environmental factors, including building materials, obstacles, volume and density of traffic, and client location.

[§]Compatible with all HomePlug AV and AV2 Standard Powerline adapters. This product may not be compatible with routers or gateways with firmware that has been altered, is based on open source programs, or are non-standard or outdated.

^{*}Smart Roaming is designed for devices that support the 802.11k/v standard. Uninterrupted Roaming only works when Powerline Wi-Fi extender and EasyMesh-compatible router wireless coverage overlaps and already forms an EasyMesh network.

^{††}TP-Link EasyMesh-compatible products can network with other devices that use EasyMesh. Failed connections may be due to firmware conflicts of different vendors. The EasyMesh-Compatible function is still being developed on some models and will be supported in subsequent software updates.

Actual network speed may be limited by the rate of the product's Ethernet WAN or LAN port, the rate supported by the network cable, Internet service provider factors and other environmental conditions.

©2024 TP-Link

Others

- Certification: FCC, RoHS

- Package Contents:

AV1000 Gigabit Powerline AX1500 Wi-Fi 6 Kit: 1× TL-WPA7817 ,

1× TL-PA7017

2 × Ethernet Cable

Quick Installation Guide

- System Requirements:

Windows 11/10/ 8.1/8/7/Vista/XP, Mac OS X, Linux

- System Requirements for tpPLC Utility:

Windows 11/10/8.1/8/7 and Mac OS 10.15 or later

- Environment:

Operating Temperature: 0°C~40°C (32°F ~104°F)

Operating Humidity: 10%~90% non-condensing

www.tp-link.com

TP-Link AV1000 Powerline AX1500 Wi-Fi 6 Kit TL-WPA7817 KIT