

Website

- A** 4mm Tempered Glass Panel
- B** Steel Panel
- C** 5x 120mm Fans Included (Optional by model)
- D** 2.5" HDD/SSD Bracket
- E** 2.5"/3.5" HDD/SSD Tray

SPECIFICATIONS

Color	Black / White	
Motherboard Support	Mini-ITX, Micro-ATX, ATX	
Dimensions(H x W x D)	460 x 210 x 359 mm	
Material	SPCC, / 4mm Tempered-Glass	
PCIe Slots	7 Horizontal	
3.5" Drive Bays	2	
2.5" Drive Bays	2+1 (Combo 3.5"/2.5")	
Pre-Installed Fan*	5 x 120mm ARGB (optional by model) (4 x Reverse Fans + 1 x Regular Fan)	
Fan Support	Top	120mm x 2 / 140mm x 2
	PSU Shroud	120mm x 2
	Rear	120mm x 1
Radiator Support	Top	240mm x 1
	Rear	120mm x 1
I/O Ports*	INVADERXMINIMT	1 x USB 3.2 Type A, 1 x USB 3.2 Type C, 1 x Hybrid Audio Port, 1 x Reset Button, 1x Power Button
	INVADERXMINIMTWOF	2 x USB 3.2 Type A, 1 x Hybrid Audio Port, 1 x Reset Button, 1 x Power Button
Compatibility	Graphic Card Length	Up to 330mm
	CPU Air Cooler Height	Up to 166mm
	PSU Length	160mm - 180mm (with HDD tray)
Warranty	2 Years	

*May vary by model.

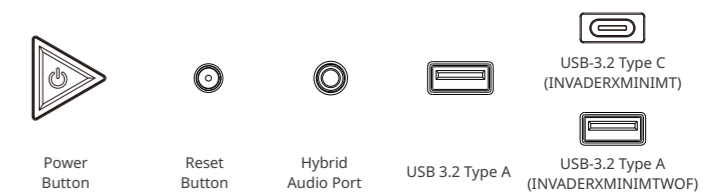
PACKAGE CONTENTS

1 INVADER X MINI CHASSIS 2 QSG 3 ACCESSORY

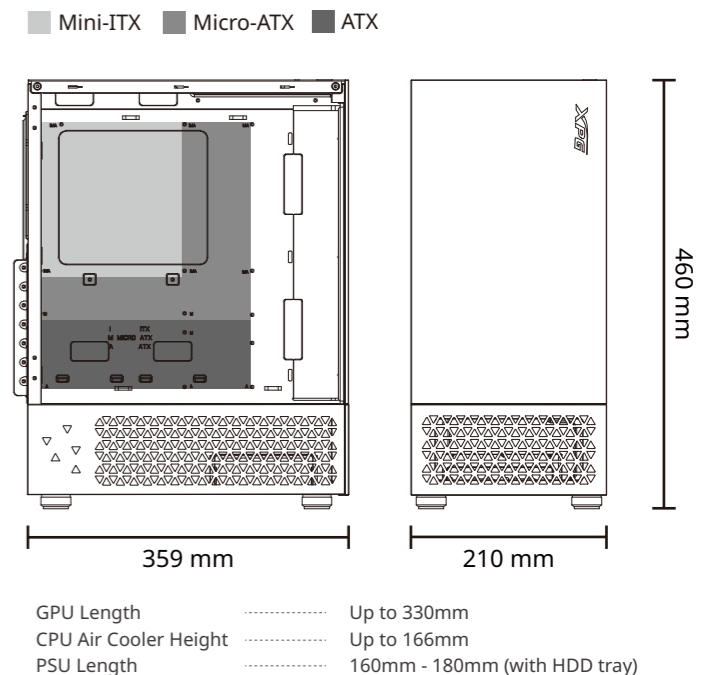
ACCESSORY CONTENTS

- x8 Long Fan Screws
- x18 Motherboard & SSD Screws
- x6 PSU Screws
- x8 HDD Screws
- x3 Motherboard Standoff
- x1 Nut Setter
- x5 Cable Ties
- x1 2.5"/3.5" HDD/SSD Tray

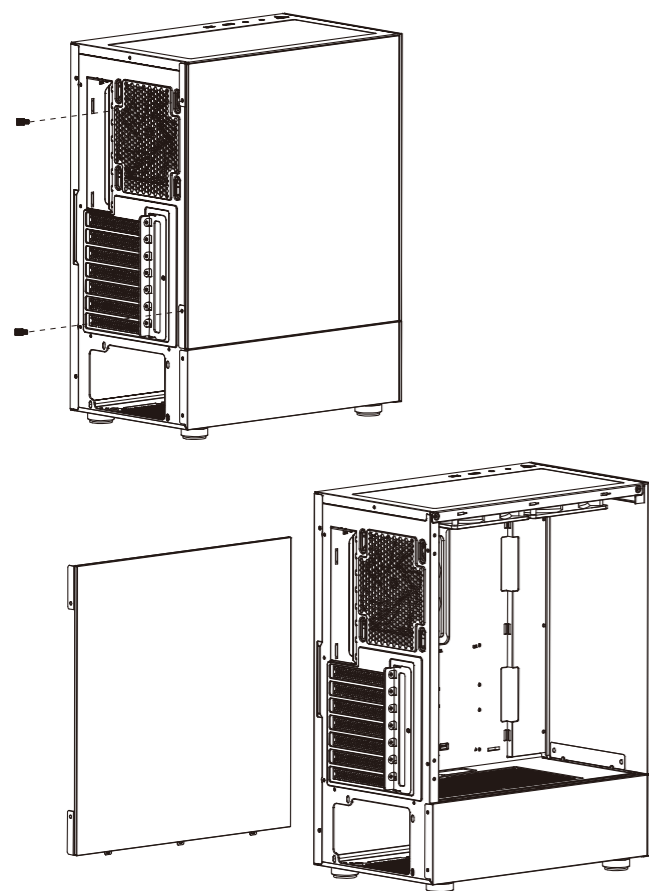
CHASSIS I/O PORTS



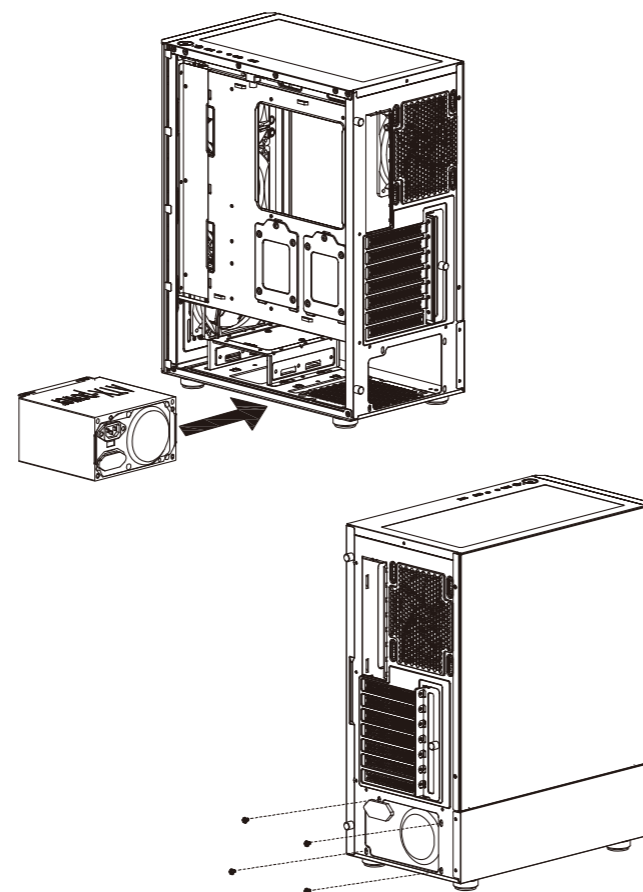
DIMENSIONS and COMPATIBILITY



REMOVING THE GLASS SIDE PANEL

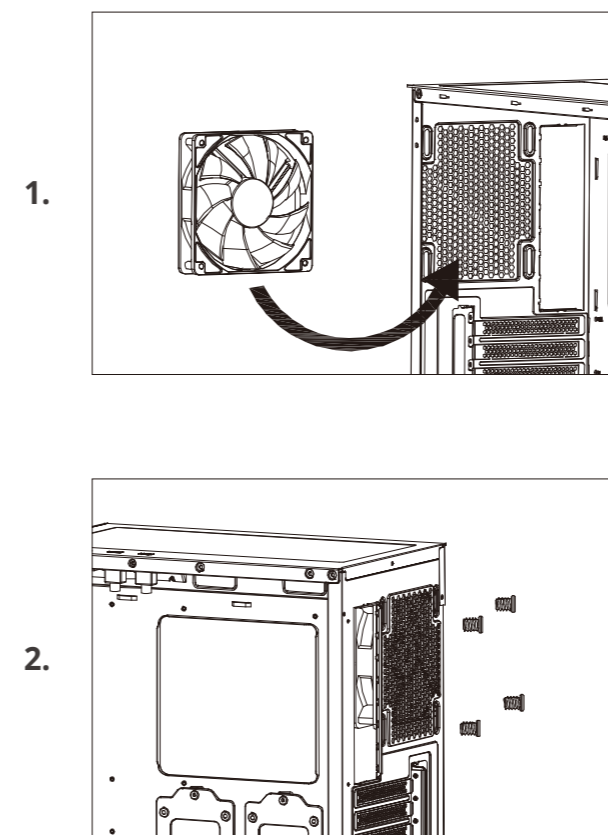


POWER SUPPLY INSTALLATION



FAN MOUNTS

Rear Fan Mount:



PSU Shroud Fan Mount:

