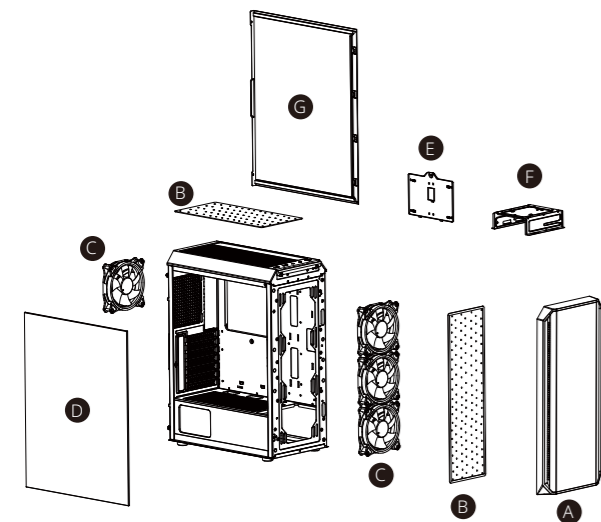


SPECIFICATIONS

Color	Black / White
Motherboard Support	Mini-ITX, Micro-ATX, ATX
Dimensions (H x W x D)	482 x 200 x 400 mm
Material	SPCC
Side Panels	3mm Tempered Glass
PCIe Slots	7 Horizontal
2.5" / 3.5" Drive Bays	2
2.5" Drive Bays	2
Pre-Installed Fan*	4 x 120mm ARGB Fans (VALORAIRPLUSMTA) 1 x 120mm Fan (VALORAIRPLUSMTN)
Fan Support	FRONT 120mm x 3 TOP 120mm x 2 REAR 120mm x 1
Radiator Support	FRONT 360 / 240mm x 1 TOP 240mm x 1 REAR 120mm x 1
I/O Ports	2 x USB 3.2, 1 x Hybrid Audio Port 1 x Reset Button, 1 x Power Button
Compatibility	GPU Length : Up to 340mm CPU Air Cooler Height : Up to 160mm PSU Length : 170mm



- A Magnetic Front Panel
- B Removable Dust Filter
- C 4 x 120mm ARGB Fans (VALORAIRPLUSMTA)
1 x 120mm Fan (VALORAIRPLUSMTN)
- D Glass Side Panel
- E 2.5" HDD/SSD Brackets
- F 2.5" / 3.5" HDD/SSD Tray
- G Steel Panel



Product website

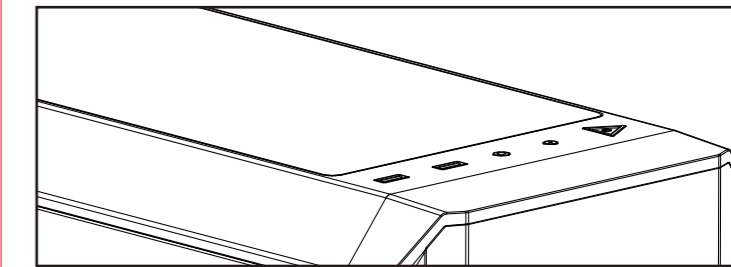
PACKAGE CONTENTS

- 1 VALOR AIR PLUS Chassis
- 2 VALOR AIR PLUS Quick Installation Guide
- 3 Accessory

ACCESSORY CONTENTS

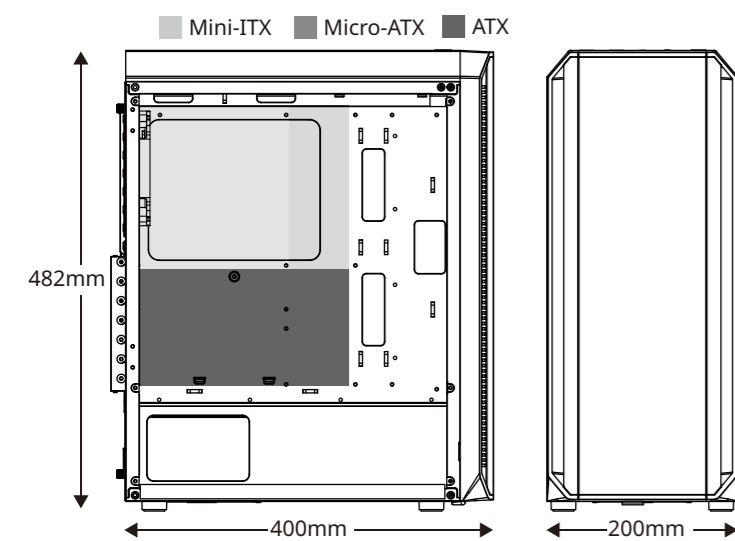
x1		Nut Setter
x18		Motherboard & SSD Screws
x12		PSU & PCI Card Strip Screws
x8		HDD Screws
x3		Motherboard Standoff
x2		HDD Step Screws
x5		Cable Ties
x6		PCI Card Strip

Chassis I/O Port



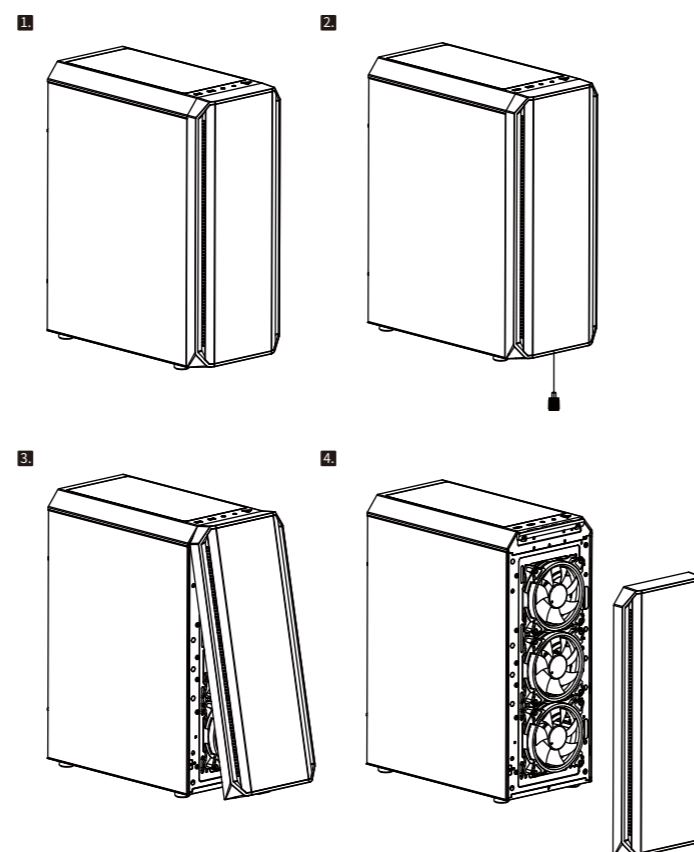
- Power Button
- Reset Button
- Hybrid Audio Port
- 2 X USB 3.2

DIMENSIONS and COMPATIBILITY

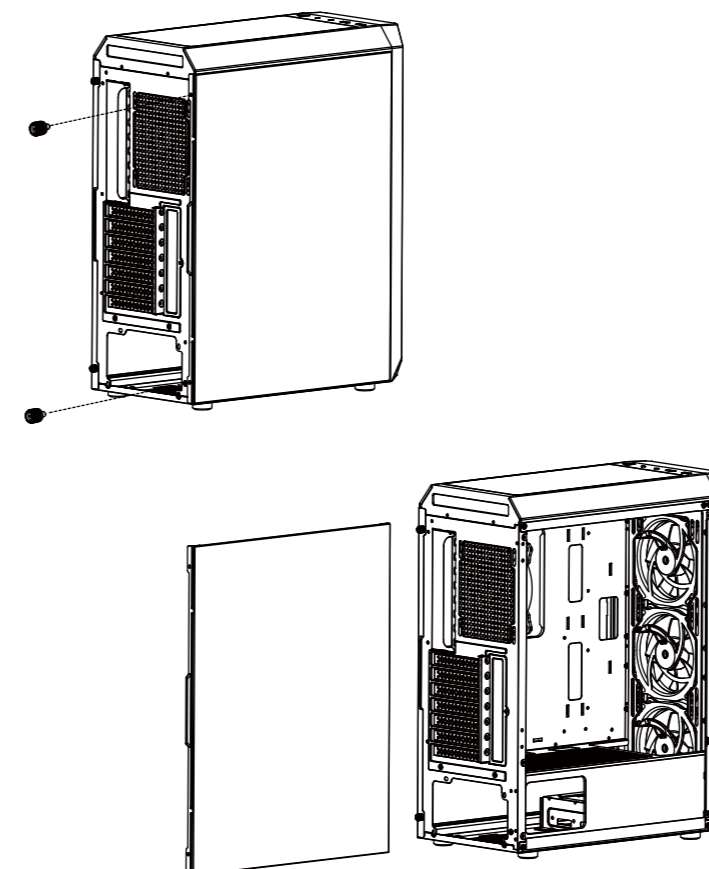


- GPU Length Up to 340mm (with pre-installed fans)
- CPU Air Cooler Height Up to 160mm
- PSU Length Up to 170mm

REMOVING THE FRONT PANEL



REMOVING THE GLASS SIDE PANEL



POWER SUPPLY INSTALLATION

