

Core Counter 60

Assembly Instructions

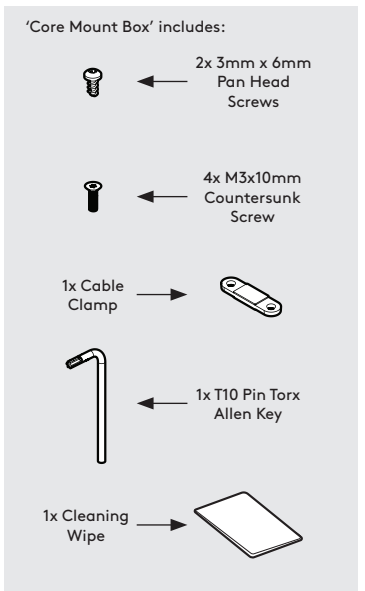
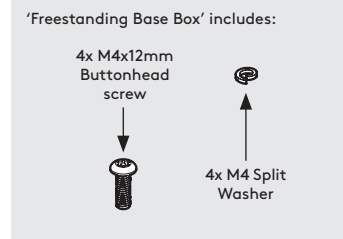
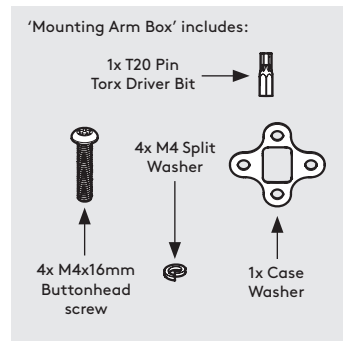
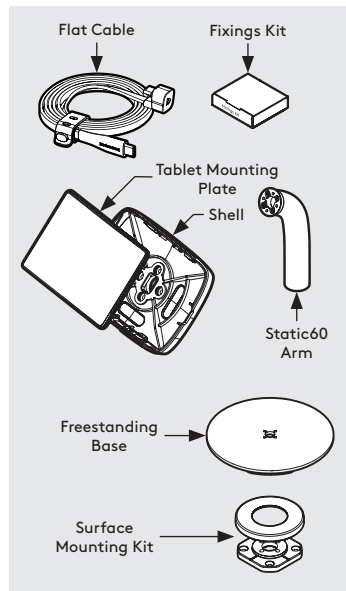
Tools Required:

- Socket Driver

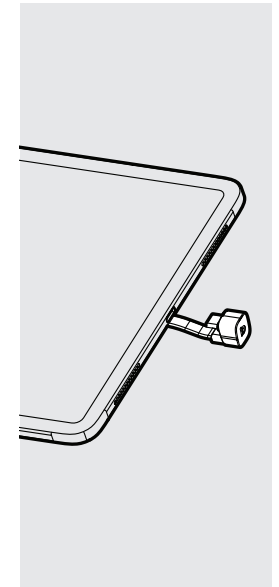
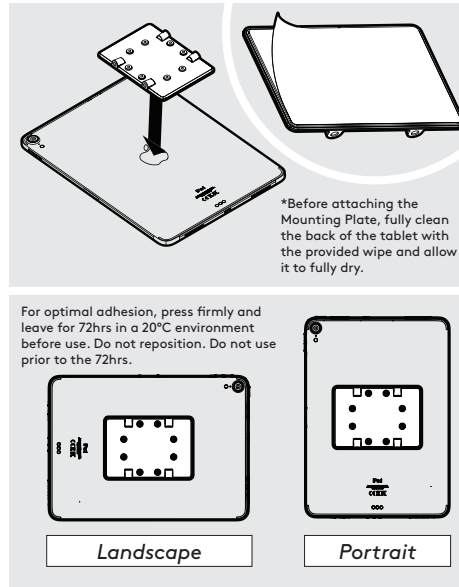
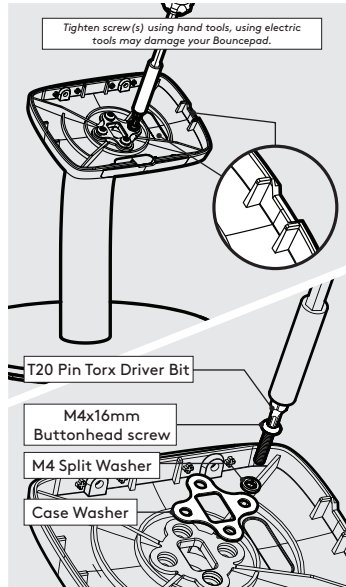
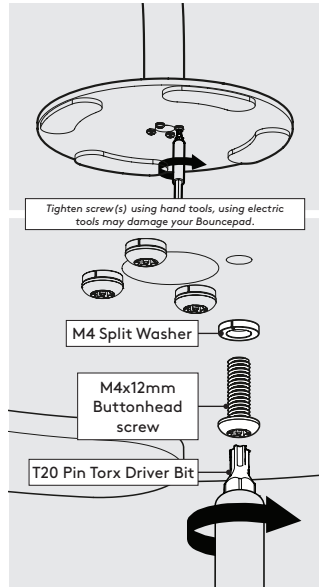
Sheet Code: BP-IM-087_REV0

Release Date: 14/08/2024

Copyright 2024 Spotspot Ltd. (T/A Bouncepad) all rights reserved. Confidential, no part of this publication may be reproduced or transmitted in any form without the written permission of the copyright holder.



* Due to the modular nature of our product range you may receive additional fixings in the fixings kit

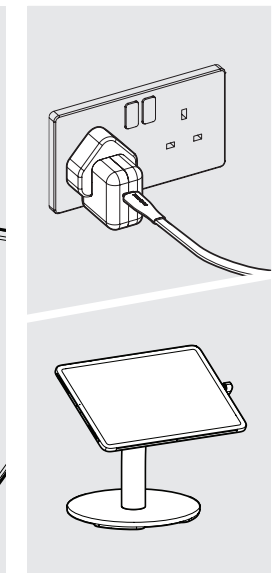
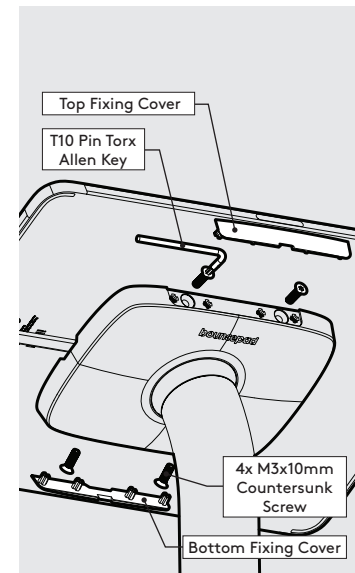
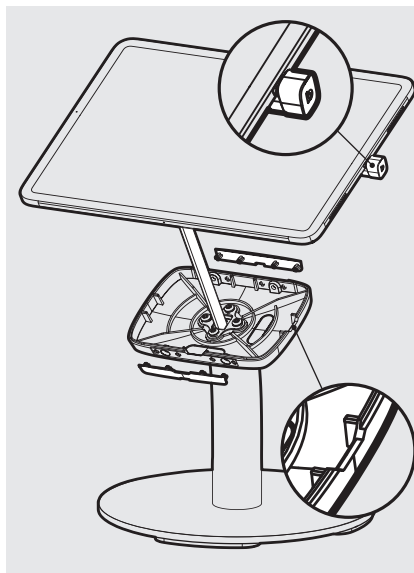
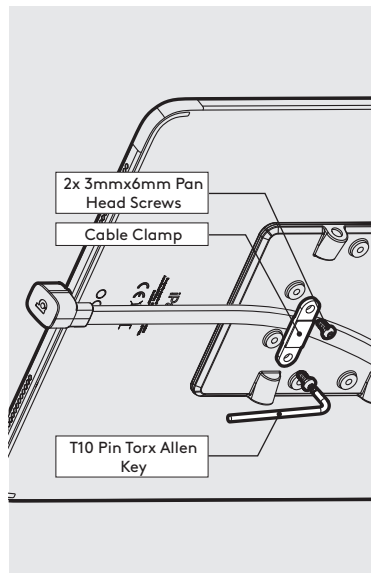


1 Locate & secure the Static60 Mounting Arm to the Freestanding Base.

2 Locate & attach the Shell to the Static60 in the correct orientation.

3 Remove the Mounting Plate adhesive backing. Attach level & centrally to the Tablet back as shown.

4 Attach the Flat Cable to the Tablet with the U-Bend Head.



5 Secure the Flat Cable to the Mounting Plate with the Cable Clamp as shown.

6 Remove the Fixing Covers. Feed the Flat Cable into the assembly & locate the Tablet in the chosen orientation.

7 Secure the Tablet to the Shell & attach the Fixing Covers as shown.

8 Connect tablet to power & installation is now complete.