

Core Desk

Assembly Instructions

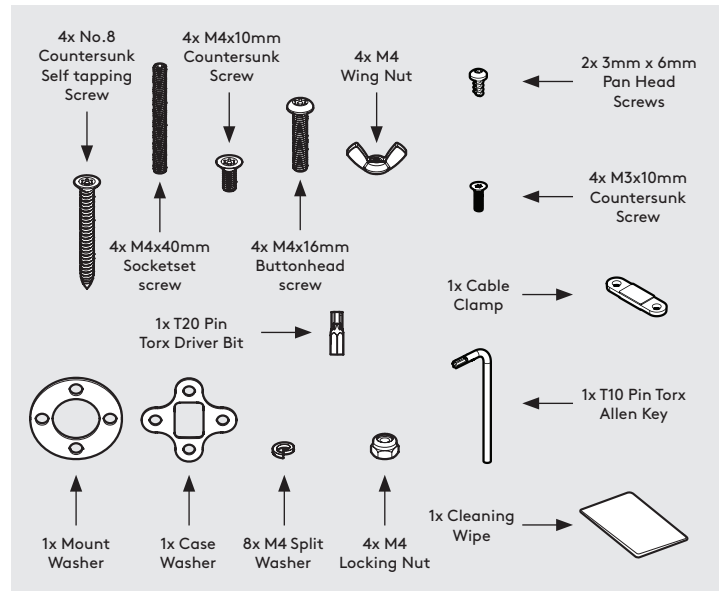
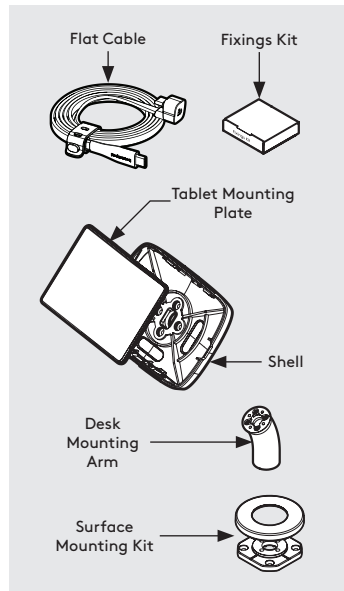
Tools Required:

- Pencil
- Electric Drill
- 7mm Spanner **or adjustable spanner*
- 5.0mm Drillbit **if fixing from below*
- 2.5mm Drillbit **if fixing from above*
- 16mm Holesaw **if routing the tablet cable through your mounting surface*
- Socket Driver

Sheet Code: BP-IM-079_REV3

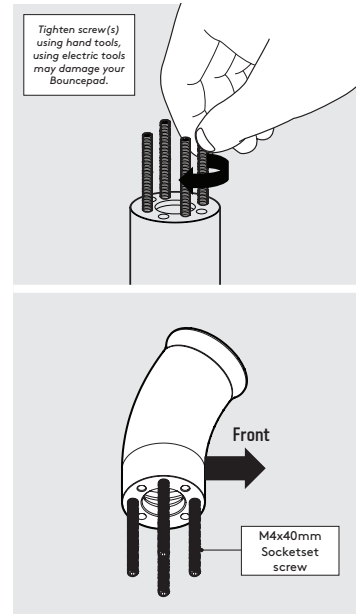
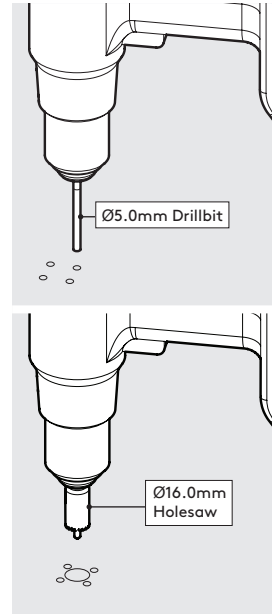
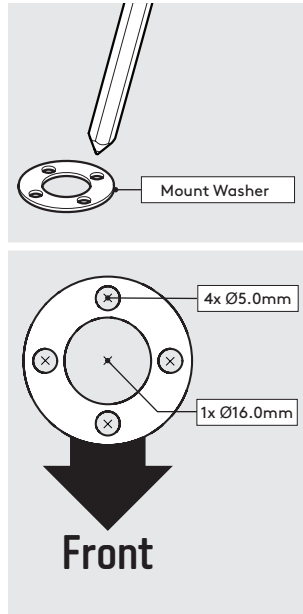
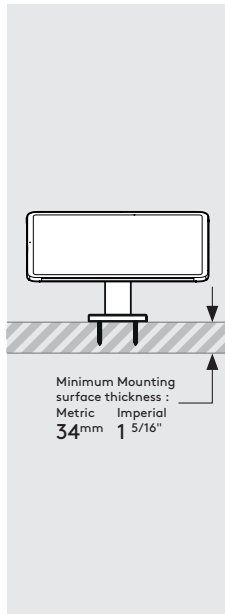
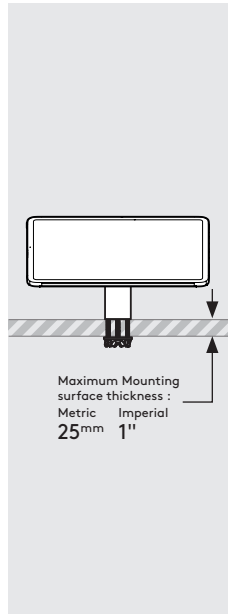
Release Date: 05/08/2024

Copyright 2024 Spotspot Ltd. (T/A Bouncepad) all rights reserved. Confidential, no part of this publication may be reproduced or transmitted in any form without the written permission of the copyright holder.



Fixings List

** Due to the modular nature of our product range you may receive additional fixings in the fixings kit*



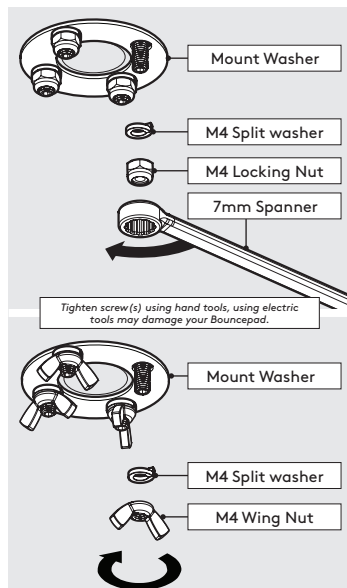
A Follow steps A if "Fixing from below".

B Follow steps B if "Fixing from Above".

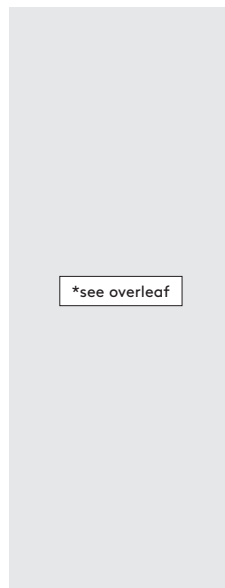
A1 Using the Mount washer, mark the drill hole locations.

A2 Drill each hole - using the specified drill size.

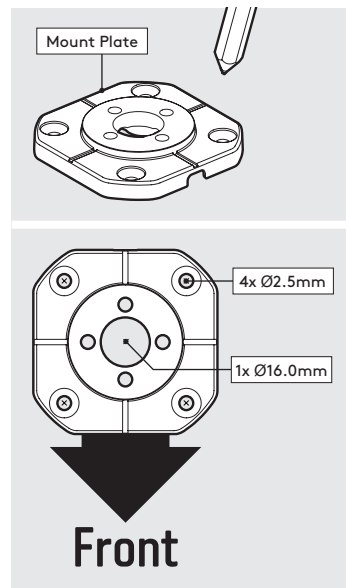
A3 Locate & screw the Socket screws into the Desk as shown



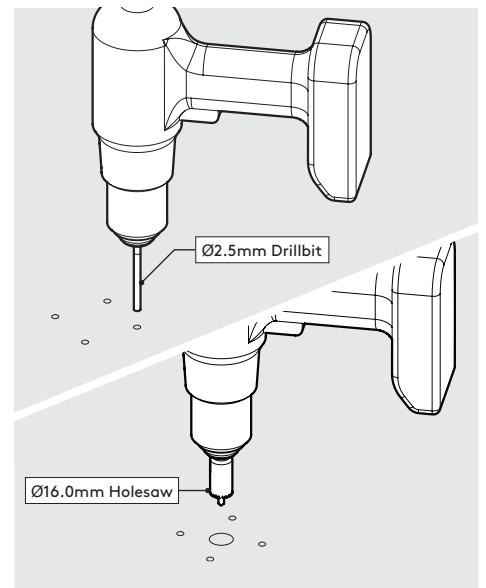
A4 Secure the arm to the surface. Locking Nuts offer higher security.



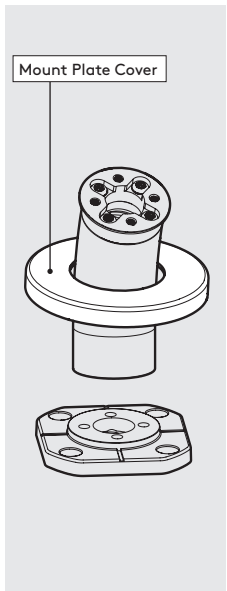
A5 Go to step 1.



B1 Using the Mount Plate, mark the drill hole locations as shown.

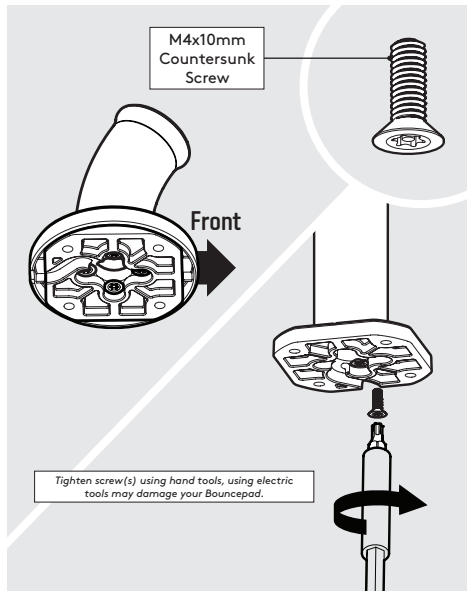


B2 Drill each hole - using the specified drill sizes.



Mount Plate Cover

B3 Locate the Cover onto the Desk.

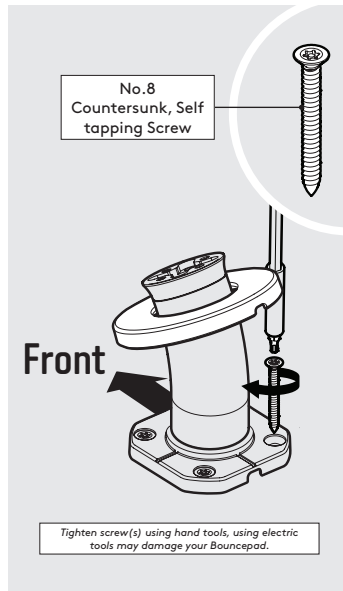


M4x10mm Countersunk Screw

Front

Tighten screw(s) using hand tools, using electric tools may damage your Bouncepad.

B4 Join the Desk Arm & Mount Plate in the orientation shown.

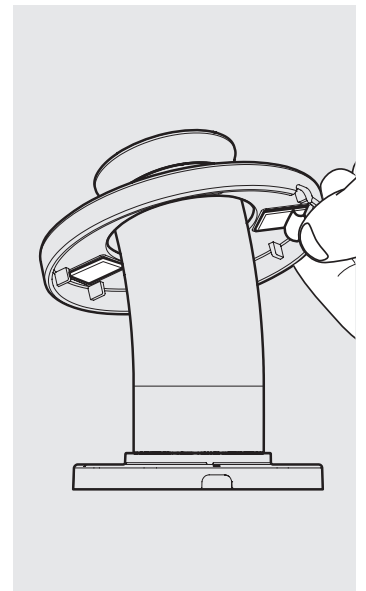


No.8 Countersunk, Self tapping Screw

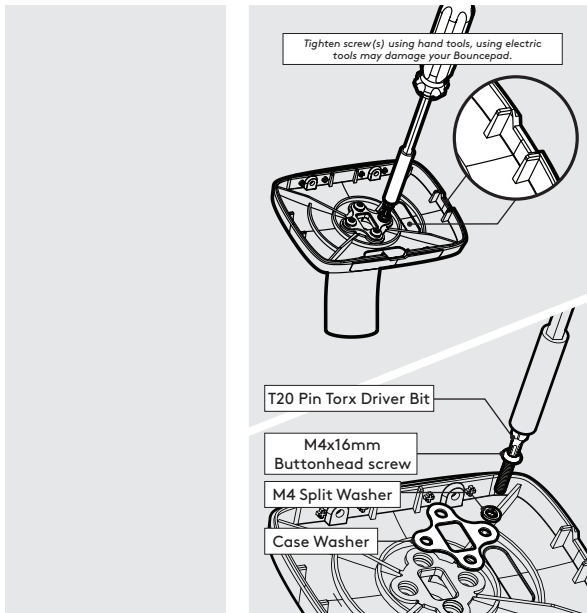
Front

Tighten screw(s) using hand tools, using electric tools may damage your Bouncepad.

B5 Secure the Desk to the surface with the 4x countersunk fixings.



B6 Adhere the Mount Cover onto the Mount Plate with the adhesive tabs.



Tighten screw(s) using hand tools, using electric tools may damage your Bouncepad.

T20 Pin Torx Driver Bit

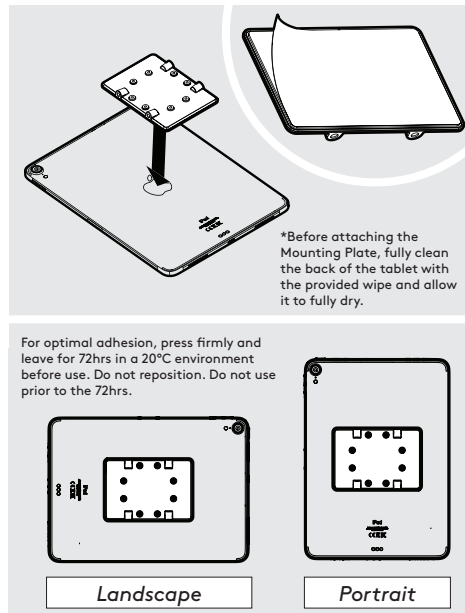
M4x16mm Buttonhead screw

M4 Split Washer

Case Washer

B7 Go to step 1.

1 Locate & attach the Shell to the Desk in the correct orientation.



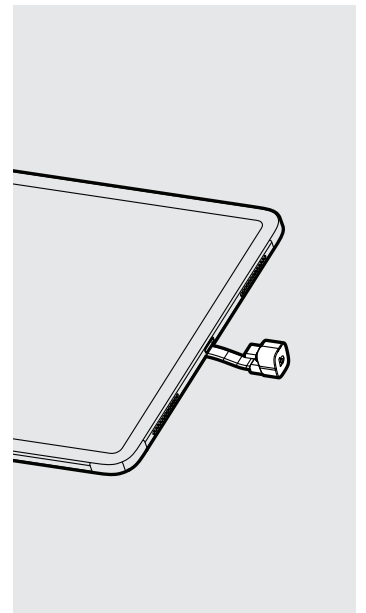
*Before attaching the Mounting Plate, fully clean the back of the tablet with the provided wipe and allow it to fully dry.

For optimal adhesion, press firmly and leave for 72hrs in a 20°C environment before use. Do not reposition. Do not use prior to the 72hrs.

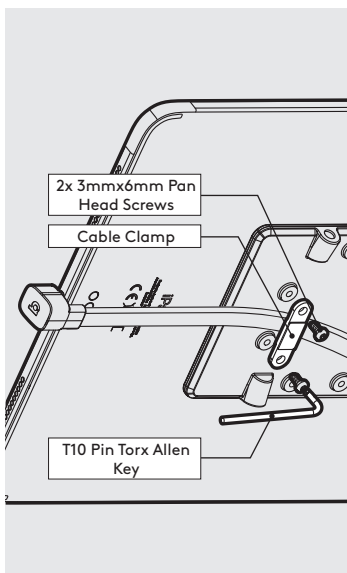
Landscape

Portrait

2 Remove the Mounting Plate adhesive backing. Attach level & centrally to the Tablet back as shown.



3 Attach the Flat Cable to the Tablet with the U-Bend Head.

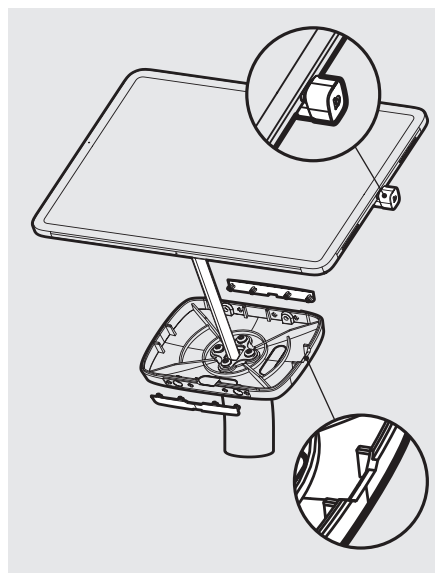


2x 3mmx6mm Pan Head Screws

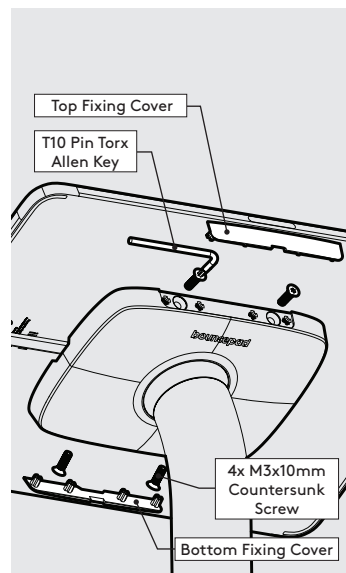
Cable Clamp

T10 Pin Torx Allen Key

4 Secure the Flat Cable to the Mounting Plate with the Cable Clamp as shown.



5 Remove the Fixing Covers. Feed the Flat Cable into the assembly & locate the Tablet in the chosen orientation.



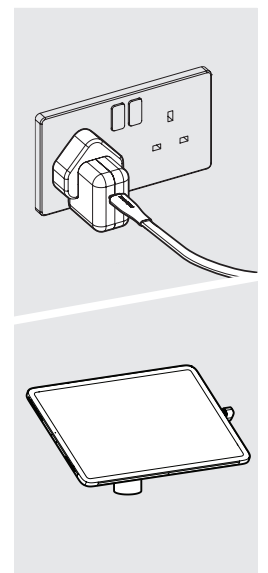
Top Fixing Cover

T10 Pin Torx Allen Key

4x M3x10mm Countersunk Screw

Bottom Fixing Cover

6 Secure the Tablet to the Shell & attach the Fixing Covers as shown.



7 Connect tablet to power & installation is now complete.