

FPMA-D930D

SPECIFICATIONS

GENERAL

Min. screen size*	10
Max. screen size*	30
Min. weight	0
Max. weight	7
Screens	2
Desk mount	Clamp
VESA maximum	100x100 mm
VESA minimum	75x75 mm

FUNCTIE

Type	Tilt Rotate Swivel Full motion
Height adjustment	0-50 cm
Depth adjustment	19-62 cm
Tilt (degrees)	180°
Swivel (degrees)	270°
Rotate (degrees)	270°
Adjustment type	Manual

INFORMATION

Color	Silver
Main material	Aluminium
Warranty	5 year

*Please note: The inch sizes stated are just an indication, combined with the weight and VESA sizes. The maximum weight and VESA size are absolute restrictions for the products and should not be exceeded.

NEOMOUNTS FPMA-D930D MONITOR ARM 10-30"



Neomounts



Neomounts

Neomounts FPMA-D930D Dual monitor arm - 10-30" - 0-7 kg/screen - silver

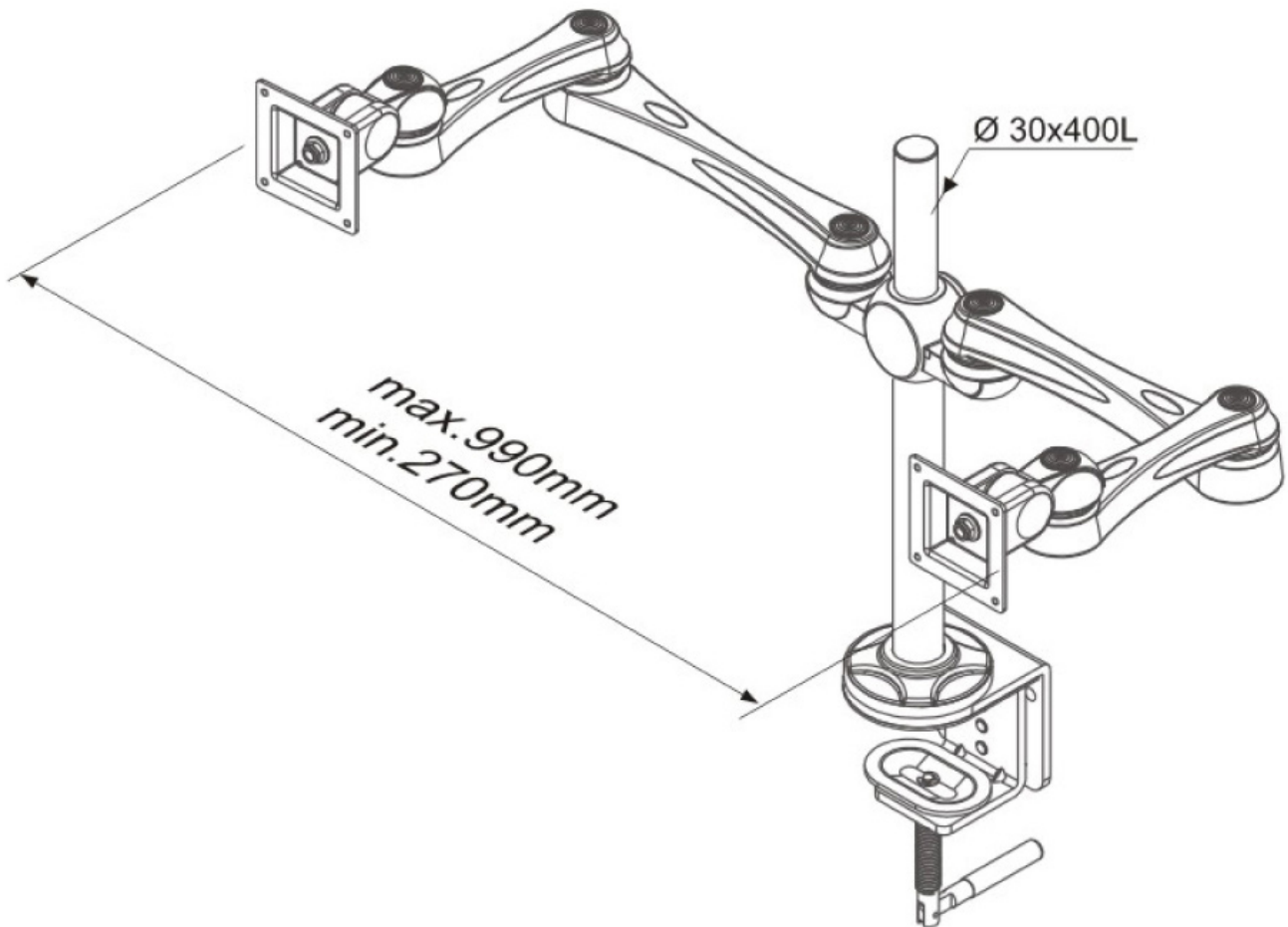
The Neomounts desk mount, model FPMA-D930D is a tilt-, swivel and rotatable desk mount for 2 flat screens up to 30". This mount is a great choice for space saving placement on desks using a desk clamp.

Neomounts versatile tilt (180°), rotate (270°) and swivel (270°) technology allows the mount to change to any viewing angle to fully benefit from the capabilities of the flat screen. The mount is manually height adjustable from 0 to 50 centimetres. Depth adjustable from 19 to 62 centimetres. An innovative cable management conceals and routes cables from mount to flat screen. Hide your cables to keep the workplace nice and tidy.

Neomounts FPMA-D930D has two pivot points and is suitable for screens up to 30" (76 cm). The weight capacity of this product is 8 kg each screen. The desk mount is suitable for screens that meet VESA hole pattern 75x75 or 100x100mm. Different hole patterns can be covered using Neomounts VESA adapter plates.

By using an ergonomic mount neck- and back complaints can be avoided. Ideal for use in offices and on counters or in a reception area.

All installation material is included with the product.



Neomounts