



TVCART4

V7 TV CART TROLLEY ROLLING STAND

The V7 TVCART4 is the perfect blend of style and functionality. Its sleek design complements any room while offering unparalleled convenience. Easily roll your TV to the perfect viewing spot and adjust the height bars for optimal comfort during installation. Built with durability in mind, it features heavy duty construction and can hold up to 264lbs (120kg) - this cart ensures your TV is secure and protected.

- Economical Heavy Duty Mobile TV Cart Trolley for 50" - 86" Displays including interactive displays
- Weight Capacity: 120Kg (264lbs) Shelf Weight Capacity: 10Kg (22lbs)
- Mounting brackets support height adjustment of 125mm (4.9")
- Large 75mm (2.95in) Casters to support quiet transportation from room to room
- Manufactured with thick 2mm cold-rolled steel and powder coated in a dark gray finish for long lasting durability



MOBILITY AND STABILITY

360-degree swivel casters offer exceptional maneuverability and flexibility, allowing for easy movement in tight spaces.



ADAPTABLE VIEWING

Height-adjustable viewing systems with 2 levels ensure optimal ergonomics, visual comfort, and alignment.



EASY DISPLAY INSTALLATION


The moveable double hook design ensures effortless and flexible mounting of the display.

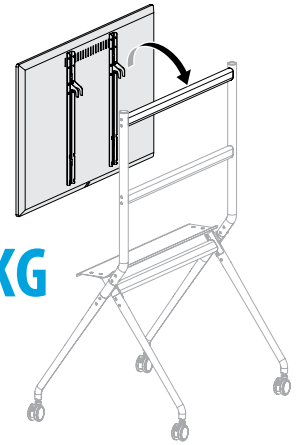


COMPACT DESIGN

The efficient, space-saving, and functional design maximizes utility in limited spaces.



HOLDS UP TO  **86" DISPLAYS**
& SUPPORTS UP TO
264 LBS / 120 KG



OMNI-DIRECTIONAL CASTERS WITH LOCKING MECHANISM

360° movement, combined with a reliable locking mechanism for secure stability.

STORAGE SHELF

The shelf allows you to keep accessories, remote controls, or other items organized within easy reach.

HEIGHT ADJUST BARS

Height-adjustable bars offer two levels of adjustment at installation, ensuring optimal viewing angles for your display.

Technical Specifications

GENERAL

Region:	UK
SKU:	CD96885
Model:	TVCART4
UPC:	0662919114973
Warranty:	5 years
Compliance:	RoHS
Country Of Origin:	China
Package Type:	One Color
Package Includes:	Mounts, Hardware, Instruction Manual

PRODUCT DIMENSIONS

Product Dim (L/W/H):	106.7 x 80.1 x 172.5 cm (42.01 x 31.54 x 67.91 in)
Product Weight:	19.48 kg (42.95 lbs)

DESIGN

Material	Steel
Display Size (per display)	50 - 86" Displays

TECHNICAL

VESA Mount	200 x 200 mm, 300 x 200 mm, 300 x 300 mm, 400 x 200 mm, 400 x 300 mm, 400 x 400 mm, 600 x 400 mm, 600 x 600 mm, 800 x 400 mm, 800 x 600 mm
Weight Limit (per display)	120 kg (264 lbs)

PACKAGE DIMENSIONS

Package Dimensions (L/W/H):	110.5 x 35.6 x 15.8 cm (43.50 x 14.02 x 6.22 in)
Package Weight:	21.03 kg (46.36 lbs)