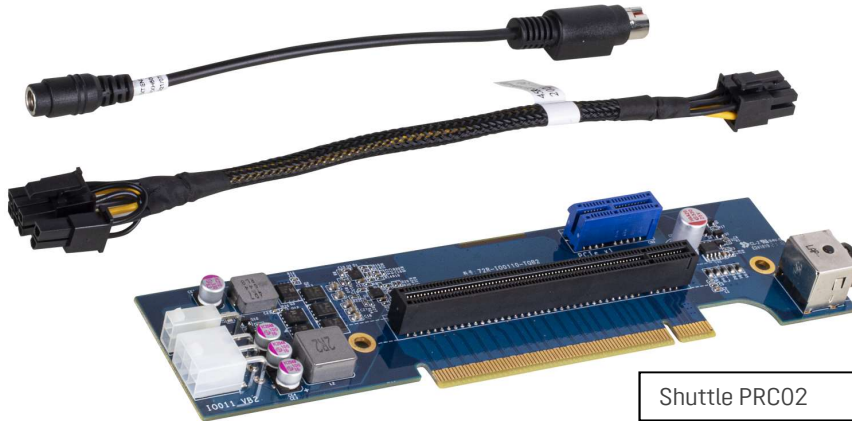


XPC ACCESSORY PRC02

EXPANSION KIT PRC02 FOR XPC SLIM XH610G2 – POWER SUPPLY UPGRADE FOR GRAPHICS CARDS

The PRC02 expansion kit consists of a PCIe riser card and two adapter cables. Installing this accessory in the Shuttle XPC slim XH610G2 allows for a second external power adapter to be connected, enabling the use of more powerful graphics cards. By default, graphics cards with a maximum power dissipation of up to 75 watts can be supplied via the PCIe slot. With PRC02, the graphics card can be supplied with additional power via an internal 6- or 8-pin power connector.

Note: The second power adapter (e.g. Shuttle PE180) is not included with PRC02.



Shuttle PRC02

Optional accessory:
Shuttle PE180 (180W power adapter)



PRC02 is compatible with
Shuttle XPC slim XH610G2



CONTENTS

- PCIe Riser Card
- DC adapter cable for power adapter
- Internal power cable for the graphics card with 6+2 pin connector
- Quick Installation Guide

Note: the power adapter is not included (e.g. Shuttle PE180)

COMPATIBILITY

The PRC02 riser card is intended to be installed in the Shuttle XPC slim XH610G2.

WHICH POWER ADAPTER CAN BE USED?

- A power adapter is not included with PRC02.
- The 4-pin DC connector supports power supplies with these output characteristics:
 - output voltage: 19.5 V
 - max. output wattage: 270 W
- When using the supplied DC cable adapter, commercially available 90W or 180W power supplies with 2.5/5.5 mm DC connector can be used (see table below).

GRAPHICS CARD POWER CABLE

The PRC02 kit provides an internal power cable for the graphics card which has a flexible 6+2 pin connector. This means, it can be connected to graphics cards with 6-pin or 8-pin power connector.



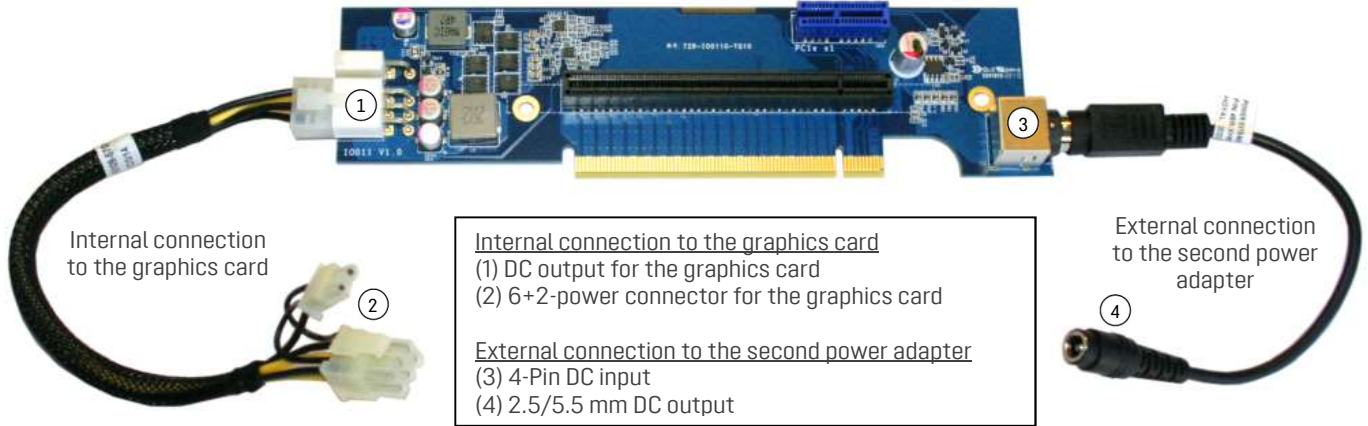
Configuration examples for XH610G2 with graphics card:

#	Optionales Accessories	Graphics card power connector	Graphics card power consumption
1	Shuttle XPC slim XH610G2 <u>without accessories</u>	not available	max. 75 Watts
2	Shuttle PRC02 plus 90W power adapter (e.g. Shuttle PE90)	6-pin	max. 150 Watts
3	Shuttle PRC02 plus 180W power adapter (e.g. Shuttle PE180)	8-pin	max. 225 Watts

Note: the maximum length of the graphics card is 20.8 cm, max. width: 45 mm (Dual Slot)

Photos for illustrative purposes only

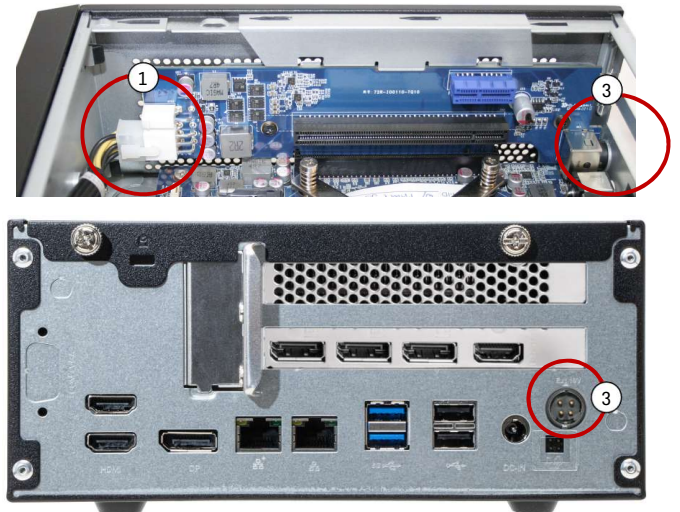
PRC02 kit including adapter cables



XH610G2 in standard version



XH610G2 with built-in PRC02 riser card



XH610G2 with two power adapters connected Graphics card: MSI GeForce RTX 3060 AERO ITX 12G OC

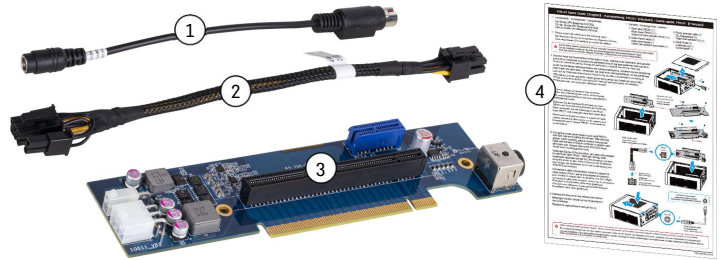


(5) Standard power adapter of XH610G2 (180 W)
 (6) Additional power supply for the graphics card

Installation Guide

PRC02 scope of delivery

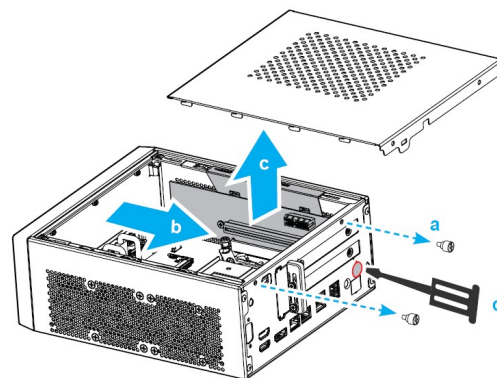
- (1) Power extender cable for power adapter
- (2) Molex Power cable for graphics card
- (3) Riser card
- (4) Installation Guide



Due to safety reasons, please turn off your computer completely first and unplug it from the power supply.

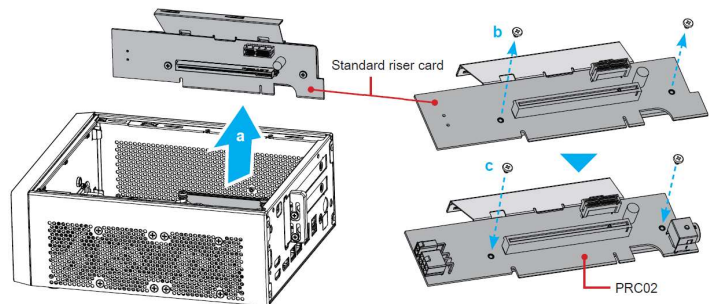
Step 1

Unscrew these two thumbscrews of the chassis cover, slide the cover backwards and upwards. Use a 6-mm screwdriver to puncture the perforated hole on the back panel from the outside in. Once the screwdriver passes through the perforation, carefully remove the metal tag.



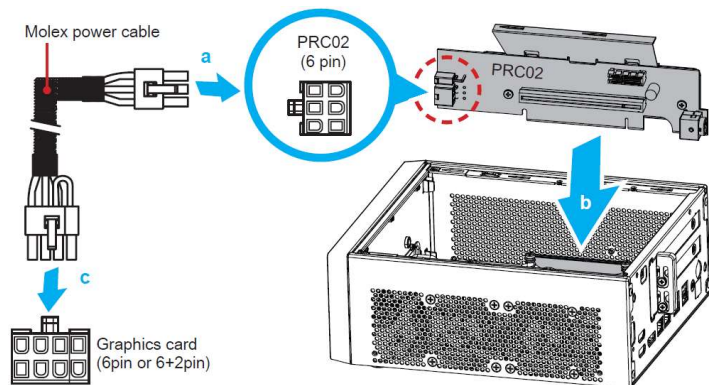
Step 2

As shown, taking out standard riser card from system and unfastening the screws of the bracket, then switching the bracket to the riser card (PRC02) and fastening screws.



Step 3

Connecting molex power cable to riser card (PRC02) with 6pin side and installing it to system. After finishing graphic card's installing, please connect molex power cable with the 6pin or 6+2pin connector on graphic card by 6+2pin side. (Please refer to the XH610G2 Quick Guide when installing graphic card)



Step 4

Replace the back cover and refasten the screws.

Step 5

Plug the Power Extender Cable into the 4-pin "Ext. 19V" connector. On the other side of the cable is a 2.5/5.5 mm connector for a second power adapter, which must be purchased separately (e.g. Shuttle PE180).

