

**INFORMATION****34" UWQHD curved monitor with USB-C dock, LAN, KVM switch and 15cm height adjustable stand**

The XCB3497WQSNP is a 34-inch curved monitor that incorporates a KVM switch and a USB-C dock to simplify your workspace. The KVM switch enhances multitasking by allowing you to control multiple computers from a single monitor, keyboard, and mouse. The USB-C dock reduces cable clutter and simplifies connectivity even further, allowing a single cable to carry video, data, and power to charge your notebook. Additionally, when the monitor is connected to a LAN network, your notebook automatically gains network access. The VA panel technology delivers high contrast and deep black levels and wide viewing angles for consistent image quality regardless of your position for a richer and more vivid viewing experience.

For optimal comfort, the 15cm height-adjustable stand allows you to customize the screen position, while the Flicker-Free panel and Blue Light reduction function help minimize eye strain.



## Easy multi-device control with KVM

Easily switch between multiple computers using one monitor, keyboard, and mouse, making multitasking smooth and efficient.



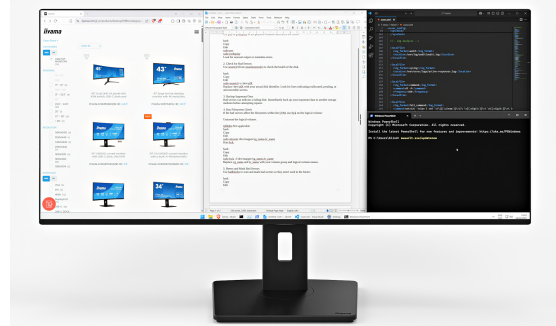
## USB-C dock for tidy desk & easy connectivity

Connect everything with just one cable — handle video, data, and power while keeping your desk clean and organized.



## Curved for immersive viewing

Step into an immersive, natural viewing setup that minimizes distortion and reduces eye strain during long work or entertainment sessions.



## Multitasking with ultra-wide QHD

Get more space to multitask, compare documents side by side, or fully immerse in your content without switching windows.

## SPECIFICATION

### 01 DISPLAY CHARACTERISTICS

<b>Design</b>	curved
<b>Diagonal</b>	34", 86.7cm
<b>Panel</b>	VA panel, matte finish
<b>Curved</b>	1500R
<b>Native resolution</b>	3440 x 1440 @120Hz (4.9 megapixel UWQHD, DisplayPort & USB-C)
<b>Aspect ratio</b>	21:9
<b>Panel brightness</b>	350 cd/m <sup>2</sup>
<b>Static contrast</b>	3000:1
<b>Advanced contrast</b>	80M:1
<b>Response time (MPRT)</b>	0.4ms
<b>Viewing zone</b>	horizontal/vertical: 178°/178°, right/left: 89°/89°, up/down: 89°/89°
<b>Colour support</b>	16.7mIn (sRGB: 99%; NTSC: 93%)
<b>Horizontal Sync</b>	30 - 180kHz
<b>Viewable area W x H</b>	797.2 x 333.7mm, 31.3 x 13.1"
<b>Pixel pitch</b>	0.232mm
<b>Colour</b>	matte, black

### 02 INTERFACES / CONNECTORS / CONTROLS

<b>Signal input</b>	HDMI x2 (1x v.2.0 and 1x v. 1.4, 3440x1440 @100Hz, 2560x1440 @120Hz) DisplayPort x1 (v.1.4, 3440 x 1440@ 120Hz) USB-C x1 (3440 x 1440@ 120Hz, PD 95W)
<b>USB HUB</b>	x4 (2x Type A v.3.2 Gen 1 (5Gbps, 4.5W) 2x Type C (5Gbps, 7.5W))
<b>USB-C DOCK</b>	x1 (Power delivery 95W, LAN, USB v. 3.2 (Gen 1, 5Gbit))
<b>HDCP</b>	yes
<b>Headphone connector</b>	yes
<b>RJ45 (LAN)</b>	x1

### 03 FEATURES

<b>KVM switch</b>	yes
<b>Blue light reducer</b>	yes
<b>Flicker free</b>	yes
<b>Adaptive Sync support</b>	FreeSync Premium, HDMI: 2560 x 1440 @48-100Hz, DP / USB-C: 3440 x 1440 @48-120Hz
<b>Extra</b>	i-Style Colour
<b>OSD languages</b>	EN, DE, FR, ES, IT, RU, JP, CZ, NL, PL
<b>Control buttons</b>	Joystick: Power/Menu (Centre), Forward/Signal Select, Backward, Left/i-Style colour/ECO/BlueLight Reducer, Right/Volume

<b>User controls</b>	picture adjust (brightness, contrast, Eco, ACR, OD, AdaptiveSync, motion blur reduction, X-Res technology, black tuner), colour settings (6-axis, i-Style colour, blue light reducer, gamma, RGB range, colour temp.), OSD (OSD H. position, OSD V. position, OSD time, OSD background, DDC/CI control, display information), language, miscellaneous (sharpness, video mode adjust, opening logo, power LED, Mac address, USB charge, USB C speed), KVM (HDMI1, HDMI2, DisplayPort, USB C), input select, audio settings (volume, mute audio), recall
<b>Speakers</b>	2 x 5W
<b>Convenience</b>	Kensington-lock™ prepared, DDC2B

## 04 MECHANICAL

<b>Display position adjustments</b>	swivel, tilt
<b>Height adjustment</b>	150mm
<b>Swivel stand</b>	90°; 45° left; 45° right
<b>Tilt angle</b>	23° up; 5° down
<b>VESA mounting</b>	100 x 100mm
<b>Cable management system</b>	yes

## 05 ACCESSORIES INCLUDED

<b>Cables</b>	power, USB, HDMI, DP, USB-C
<b>Other</b>	quick start guide, safety guide

## 06 POWER MANAGEMENT

<b>Power supply unit</b>	internal
<b>Power supply</b>	AC 100 - 240V, 50/60Hz
<b>Power usage</b>	32W default, 0.5W stand by, 0.3W off mode

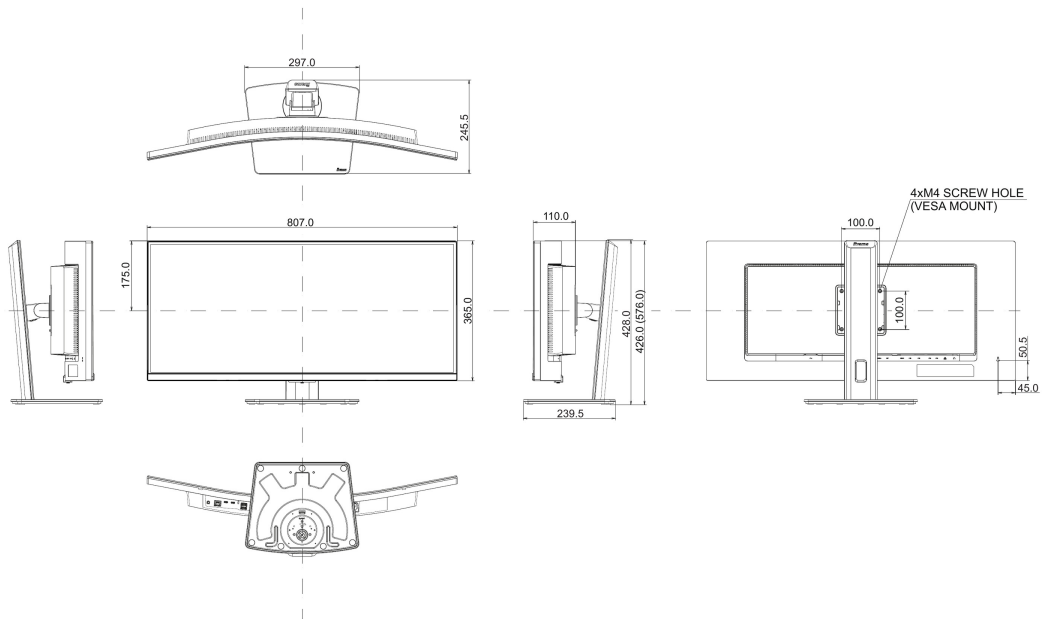
## 07 SUSTAINABILITY

<b>Regulations</b>	TCO Certified, CE, TÜV-GS, EAC, VCCI-B, PSE, RoHS support, ErP, WEEE, REACH, UKCA
<b>Energy efficiency class (Regulation (EU) 2017/1369)</b>	F
<b>EPEAT Silver</b>	*registration varies by country, go to <a href="http://www.epeat.net">www.epeat.net</a> for details
<b>REACH SVHC</b>	above 0.1%: Lead, Lead monoxide, Diboron trioxide

## 08 DIMENSIONS / WEIGHT

<b>Product dimensions W x H x D</b>	807 x 426 (576) x 245.5mm
<b>Box dimensions W x H x D</b>	928 x 480 x 186mm
<b>Weight (without box)</b>	9.7kg
<b>Weight (with box)</b>	14.1kg

EAN code 4948570125142







All trademarks and registered trademarks acknowledged. E & O E. Specification subject to change without notice. All LCD's comply with ISO-9241-307:2008 in connection with pixel defects. © **IYAMA CORPORATION. ALL RIGHTS RESERVED**