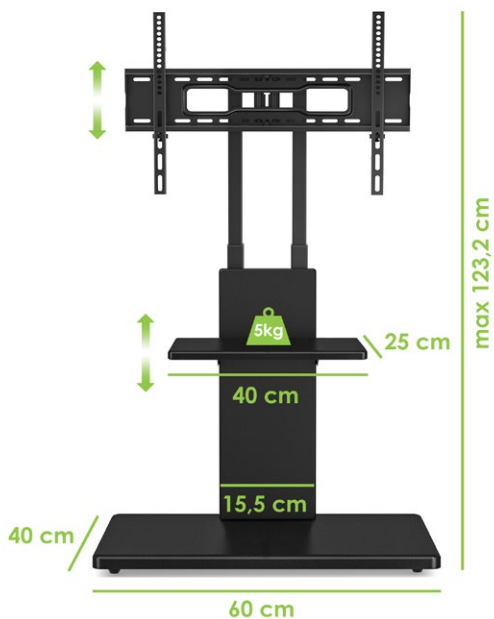


Multifunction TV floor stand, with $\pm 25^\circ$ swivel, for 32" to 70" TVs



Features:

- ▶ 32" to 70" multifunctional TV floor stand
- ▶ Suitable also for curved TV
- ▶ Supports 600x400 maximum VESA
- ▶ Supported weight: 45 kg
- ▶ A/V shelf with height adjustable in five positions, 400 x 250 mm dimension, supported weight 5 kg
- ▶ Wide support base (600x400 mm dimensions) which can become a useful shelf for A/V devices
- ▶ TV bracket with height adjustable in three positions
- ▶ Maximum height of the stand: 1232 mm
- ▶ $\pm 25^\circ$ swivel for the best angle of visualization
- ▶ If the support is installed close to the wall, a safety cable (included) can be installed to fix it to the wall

Package contents:

- ▶ TV mount bracket
- ▶ Column
- ▶ A/V shelf
- ▶ Support base
- ▶ Installation accessories
- ▶ User manual



32"-70"



45 kg



VESA
600x400
max



Cable
management

Safety lock

Safety cable

Cable management

Feet on the base



Available colors:

black



ICA-TR241

Color: Black
Barcode: 8058956620881