

INFORMATION**34" VA UWQHD curved monitor with a built-in Windows Hello camera and microphone, USB-C Dock, LAN, KVM-Switch and 15cm height adjustable stand**

Meet the XCB3497WQSNPH — a 34" curved all-in-one monitor designed for effortless efficiency. With a built-in KVM switch and USB-C dock, you can seamlessly control multiple devices and connect your laptop with a single cable. The vibrant VA panel delivers stunning colors, deep contrast, and wide viewing angles for an immersive experience. Plus, smart features like a 5MP autofocus webcam with Windows Hello, a height-adjustable ergonomic stand, and eye-care technologies keep you comfortable and productive all day.



Easy multi-device control with KVM

Easily switch between multiple computers using one monitor, keyboard, and mouse, making multitasking smooth and efficient.



USB-C dock for tidy desk & easy connectivity

Connect everything with just one cable — handle video, data, and power while keeping your desk clean and organized.



Easy access with Window Hello cam

Log in quickly and securely with facial recognition, while enjoying crystal-clear video calls thanks to the high-resolution autofocus webcam.



Curved for immersive viewing

Step into an immersive, natural viewing setup that minimizes distortion and reduces eye strain during long work or entertainment sessions.

SPECIFICATION

01 DISPLAY CHARACTERISTICS

Design	curved
Diagonal	34", 86.7cm
Panel	VA panel, matte finish
Curved	1500R
Native resolution	3440 x 1440 @120Hz (4.9 megapixel UWQHD, DisplayPort & USB-C)
Aspect ratio	21:9
Panel brightness	350 cd/m ²
Static contrast	3000:1
Advanced contrast	80M:1
Response time (MPRT)	0.4ms
Viewing zone	horizontal/vertical: horizontal°/vertical 178°, right/left: 0°/0°, up/down: 0°/0°
Colour support	16.7mIn 8bit (sRGB: 99%; NTSC: 72%, DCI-P3 >90%)
Horizontal Sync	30 - 180kHz
Viewable area W x H	797.2 x 333.7mm, 31.3 x 13.1"
Pixel pitch	0.232mm
Colour	matte, black

02 INTERFACES / CONNECTORS / CONTROLS

Signal input	HDMI x2 (1x v.2.0 and 1x v. 1.4, 3440x1440 @100Hz, 2560x1440 @120Hz) DisplayPort x1 (v.1.4, 3440 x 1440@ 120Hz) USB-C x1 (3440 x 1440@ 120Hz, PD 95W)
USB HUB	x4 (2x Type A v.3.2 Gen 1 (5Gbps, 4.5W) 2x Type C (5Gbps, 7.5W))
USB-C DOCK	x1 (Power delivery 95W, LAN, USB v.3.2 (Gen 1, 5Gbit))
HDCP	yes
Headphone connector	yes
RJ45 (LAN)	x1

03 FEATURES

KVM switch	yes
Blue light reducer	yes
Flicker free	yes
Adaptive Sync support	FreeSync Premium HDMI: 2560 x 1440 @48-100Hz, DP / USB-C: 3440 x 1440 @48-120Hz
Extra	Built-in 5MP webcam with autofocus, microphone and privacy shutter compliant with Windows Hello
OSD languages	EN, DE, FR, ES, IT, RU, JP, CZ, NL, PL
Control buttons	Joystick: Power/ Menu (Centre), Forward/ Signal Select, Backward, Left/ i-Style colour/ ECO/ BlueLight Reducer, Right/ Volume

User controls	picture adjust (brightness, contrast, Eco, ACR, OD, AdaptiveSync, motion blur reduction, X-Res technology, black tuner), colour settings (6-axis, i-Style colour, blue light reducer, gamma, RGB range, colour temp.), OSD (OSD H. position, OSD V. position, OSD time, OSD background, DDC/CI control, display information), language, miscellaneous (sharpness, video mode adjust, opening logo, power LED, Mac address, USB charge, USB C speed), KVM (HDMI1, HDMI2, DisplayPort, USB C), input select, audio settings (volume, mute audio), webcam, recall
Speakers	2 x 5W
Convenience	Kensington-lock™ prepared, DDC2B, Mac OSX

04 MECHANICAL

Display position adjustments	height, swivel, tilt
Height adjustment	150mm
Swivel stand	90°; ° left; 45° right
Tilt angle	23° up; 5° down
VESA mounting	100 x 100mm
Cable management system	yes

05 ACCESSORIES INCLUDED

Cables	power, USB, HDMI, DP, USB-C
Other	quick start guide, safety guide

06 POWER MANAGEMENT

Power supply unit	internal
Power supply	AC AC - 100V, 240V, 50Hz
Power usage	32W default, 0.5W stand by, 0.3W off mode

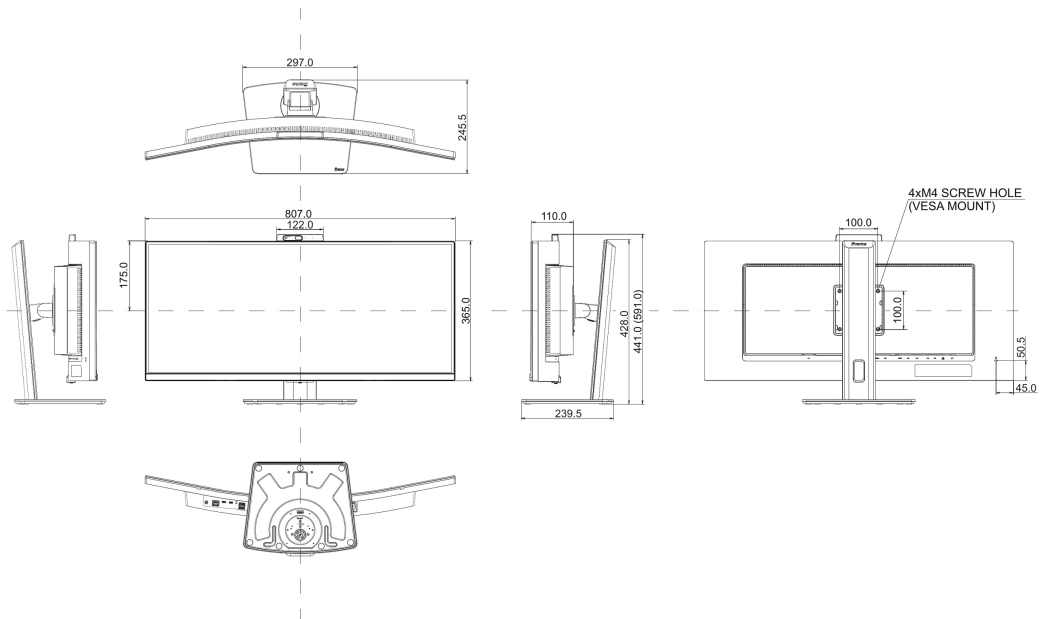
07 SUSTAINABILITY

Regulations	TCO Certified, CE, TÜV-GS, EAC, PSE, RoHS support, ErP, WEEE, VCCI, REACH, UKCA
Energy efficiency class (Regulation (EU) 2017/1369)	F
EPEAT Silver	*registration varies by country, go to www.epeat.net for details
REACH SVHC	above 0.1%: Lead, Lead monoxide, Diboron trioxide

08 DIMENSIONS / WEIGHT

Product dimensions W x H x D	807 x 443 (592.5) x 239.5mm
Box dimensions W x H x D	940 x 500 x 198mm
Weight (without box)	9.7kg
Weight (with box)	14.2kg

EAN code 4948570125296







All trademarks and registered trademarks acknowledged. E & O E. Specification subject to change without notice. All LCD's comply with ISO-9241-307:2008 in connection with pixel defects. © **IYAMA CORPORATION. ALL RIGHTS RESERVED**