



Great results in half the time

The 6000 CombiQuick® CombiOven uses hot air circulation with microwave technology to provide cooking in half the time without sacrificing flavour. You can also grill, roast and bake – all in one.

Product Benefits & Features



Microwave with Hot Air. For better and faster heating

Microwave with Hot Air provides dual functions – microwave and convection cooking, which merges hot air circulation and advanced microwave technology with turntable so your food is cooked faster and more evenly.



EXPlore. Easy access to your oven's functions

EXPlore allows you to effortlessly control the settings of your oven to know what's happening with your cooking. With the LED display and WiFi connectivity, you can easily see the time, temperature and progress of your dish.

Assisted Cooking. Extra help when cooking

The AssistedCooking function gives you intuitive access to a range of dishes where the oven adjusts automatically. Or the time and temperature can be fully controlled by you.



Get connected. And change the way you cook

Connectivity lets you control your oven from anywhere with our app. Get tips and improve cooking techniques with app-controlled functions at your fingertips.



Cooked Evenly everywhere

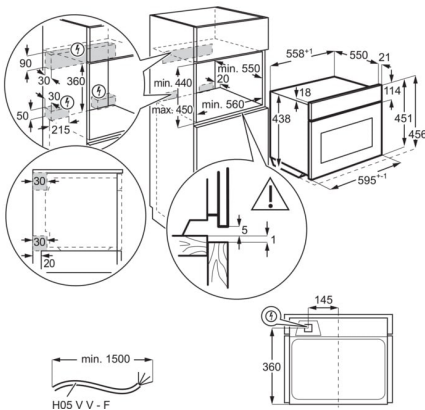
The clever Hot Air convection system ensures hot air circulates evenly throughout the oven cavity, for a cooking process that is faster, and more energy efficient.

- Connectivity: Control your oven via your smartphone or tablet.
- Electronic touch controls.
- Cooling fan
- Microwave function
- Fan controlled defrosting
- LED digital display
- Isofront® Plus Triple Glazed Door
- Retractable controls
- Child lock
- Turbo grilling
- Inverter microwave technology for constant, even heating and better results.

Product Specification

Main Colour	Black	Lamp power (W)	25
Built-in Dimensions (mm) (HxWxD)	450x560x550	Oven Energy Source	Electrical
Functions (Main Oven)	True fan cooking, Conventional/Traditional cooking, Turbo grilling, Pizza setting, Turbo grilling + Microwave, True fan cooking + Microwave, Defrost, Reheating, Microwave, Grill (menu), Bottom heat (menu), Frozen food (menu), Conventional cooking + microwave (menu), Grill + microwave (menu)	Product Type	Built-in Electric Oven
Connectivity	Yes	Gross Weight (Kg)	35
Total Electricity Loading (W)	3000	Net Weight (Kg)	33.3
Steam Category	No	Main Oven - Trays Included	1 Dripping pan grey enamel, 1 Trivet chromed
Timer Type	Electronic display with clock, minute minder, cooking duration and delay start.	Main Oven - Shelves Included	1 Wire shelf chromed
Main Oven - Internal Capacity (L)	44	Main Oven - Shelf Support	Side grids Easy entry
Cleaning	Clean enamel	Cord Length (m)	1.5
Dimensions (mm) (HxWxD)	455x595x567	Plug or Hardwired	Hardwired connection only
Oven control knob type	Pop in / Pop out flat Spin	Door surface temp. max., K (acc. to EN30 or 60335-1)	30
Max Power Grill - Top Oven (W)	1900	Included Fittings	Wood screws
Max power oven, W	3000	Cavity Coating	Grey Enamel
Temperature Range	30°C - 230°C	N° of cavities	1
Interior Light	1, Top halogen	PNC	944 005 192
		Bar Code	7333394107745
		Voltage (V)	220-240
		Required Fuse (A)	16

PSGBOV230DE00001



PSGBOV230DE00002

