

**LFD - SIGNAGE DISPLAYS****INFORMATION**

## 55" 4K UHD Professional Digital Signage 24/7 display featuring Android OS, FailOver and Intel® SDM slot



Choose non-stop high performance and reliability with the ideal all-in-one signage solution for mission critical environments. The LH5575UHS from iiyama can be operated in landscape or portrait orientation in continual around the clock environments, 24/7 without any interruption. Its versatility can be adapted to your industry's display needs. On-board Android 11 OS means you can easily customize the display to your needs and install applications directly to it.

The on-board [iiSignage<sup>2</sup>](#) (Content Management System) gives you total control of your messaging and advertising remotely and safely. The SDM Slot provides embedded PC option for total flexibility, security and control, while the FailOver feature ensures your content is always actively displayed through your choice of inputs. The built-in (and removable) WiFi module means this series is ready for remote content delivery using your network. Now the display is also offering DP-Out from any input.

With [iiControl](#) (DMS), [iiShare](#) and the integrated [EShare](#) app (wireless screen sharing) you bring effortless ideation and efficient collaboration in your enterprise or school. You can start sharing wirelessly easier than ever before.



## Android OS

Thanks to Android OS, you can easily customize the display to your needs by installing applications directly to it.

## 4 SIMPLE STEPS

TO REACH YOUR AUDIENCE



## iiSignage<sup>2</sup>

iiSignage<sup>2</sup> is our digital signage content management platform to easily show and control your content and to manage your displays in a secure way. The Content Management System (CMS) gives you total control of your messaging and advertising remotely and safely.



## Signal FailOver

FailOver is a feature which automatically detects input sources. When there is no signal on the default input it will automatically switch to the next available input. FailOver allows customers to prioritize a number of inputs (incl. Browser, Media Player and Custom) and ensures your content is always actively displayed, assuring active content at all times.



## Smart Display Module

A Smart Display Module (Small/Large) is a plug-in module which can easily be inserted into the most stylish and ultra-slim displays. This small sized module delivers great performance with minimum implementation and management. Available as optional.

## SPECIFICATION

### 01 DISPLAY CHARACTERISTICS

<b>Design</b>	Thin bezel
<b>Diagonal</b>	54.6", 139cm
<b>Panel</b>	IPS, Anti-Glare Coated Glass, haze 25%
<b>Native resolution</b>	3840 x 2160 @60Hz (8.3 MegaPixels 4K UHD)
<b>Aspect ratio</b>	16:9
<b>Panel brightness</b>	500 cd/m <sup>2</sup>
<b>Static contrast</b>	1200:1
<b>Response time (GTG)</b>	8ms
<b>Viewing zone</b>	horizontal/vertical: 178°/178°, right/left: 89°/89°, up/down: 89°/89°
<b>Colour support</b>	1.07B 8bit+FRC (NTSC 72%)
<b>Horizontal Sync</b>	28 - 160kHz
<b>Viewable area W x H</b>	1209.6 x 680.4mm, 47.6 x 26.8"
<b>Bezel width (sides, top, bottom)</b>	14mm, 14.75mm, 14.75mm
<b>Pixel pitch</b>	0.315mm
<b>Bezel colour and finish</b>	black, matte

### 02 INTERFACES / CONNECTORS / CONTROLS

<b>Digital signal input</b>	HDMI x3 (2.0, max. 3840x2160 @60Hz, ARC on HDMI #3) DisplayPort x1 (1.2, max. 3840x2160 @60Hz)
<b>Monitor control input</b>	RS-232c x1 (2.5mm sub-mini jack) RJ45 (LAN) x1 IR x1 (3.5mm stereo mini)
<b>Digital signal output</b>	DisplayPort x1 (max. 3840x2160 @60Hz, MST-out Daisy Chain v.1.2)
<b>Audio output</b>	Mini jack x1 (3.5mm) Speakers 2 x 10W
<b>Monitor control output</b>	RS-232c x1 (2.5mm sub-mini jack) IR loop through x1 (3.5mm stereo mini)
<b>HDCP</b>	2.2
<b>USB ports</b>	x2 (2.0)

### 03 FEATURES

<b>Integrated software</b>	Android 11 OS, iiSignage <sup>2</sup> , iiControl, iiShare, EShare, FailOver
<b>WiFi</b>	yes (Built-in, 802.11ac)
<b>Hardware</b>	CPU: A311D2 Octa-core A73*4+A53*4, GPU: G52 MP8, RAM: 4GB, ROM: 32GB
<b>Extra</b>	Intel® SDM-L, micro SD card slot
<b>Max. non-stop operating time</b>	24/7
<b>Anti image retention</b>	yes

<b>Video wall / daisy chain</b>	Yes, from any input signal, (MST-output via DP-Out)
<b>Media playback</b>	yes
<b>Housing (bezel)</b>	metal

## 04 GENERAL

<b>OSD languages</b>	EN, DE, FR, ES, IT, CN, RU, JP, CZ, NL, PL, SV, FI, DA, NB
<b>Control buttons</b>	Power (longpress for Quick Menu)
<b>User controls</b>	picture (brightness, contrast, sharpness, black level, tint, colour, noise reduction, gamma selection, colour temp., colour control, picture reset), screen (zoom mode, custom zoom, screen reset), audio (balance, treble, bass, volume, audio out, max. volume, min. volume, mute, audio reset, audio out sync, speaker setting), configuration 1 (Android launcher, switch on state, panel saving, RS232-routing, boot on source, WOL, configuration 1 reset, factory reset), configuration 2 (OSD timeout, OSD H-Position, OSD V-position, system rotation, info OSD, logo and animation, logo setting, animation setting, monitor ID, group ID, monitor info, DP version, DP monitors, HDMI version, configuration 2 reset), advanced options (no signal image, motorized stand, IR control, power LED light, tiling, off timer, schedule, HDMI with One Wire, HDMI with One Wire power off, Signal FailOver, language, OSD transparency, power saving, auto power off, SDM settings, advanced options reset), Android settings (network & internet, apps & notifications, display, signage display, security, language & input, date & time, about device)
<b>Plug&amp;Play</b>	DDC2B

## 05 MECHANICAL

<b>Orientation</b>	landscape, portrait
<b>Fanless design</b>	yes
<b>VESA mounting</b>	400 x 400mm
<b>Mini PC mount</b>	VESA 75 x 75, VESA 100 x 100
<b>Operation temperature range</b>	0°C - 40°C
<b>Storage temperature range</b>	- 20°C - 60°C
<b>MTBF</b>	50.000 hours (excluding backlight)

## 06 ACCESSORIES INCLUDED

<b>Cables</b>	power (1.8m), HDMI (1.8m), RS-232c (1.8m)
<b>Guides</b>	quick start guide, safety guide
<b>Other</b>	Stickers for screw holes, wire buckles
<b>Remote control</b>	yes (batteries included)

## 07 POWER MANAGEMENT

<b>Power supply unit</b>	internal
<b>Power supply</b>	AC 100 - 240V, 50/60Hz
<b>Power usage</b>	127W typical, 0.5W stand by, 0.3W off mode

## 08 SUSTAINABILITY

Regulations CB, CE, TÜV-Bauart, EAC, RoHS support, ErP, WEEE, REACH

Energy efficiency class (Regulation (EU) 2017/1369)

G

REACH SVHC above 0.1%: Lead, Lead monoxide

## 09 DIMENSIONS / WEIGHT

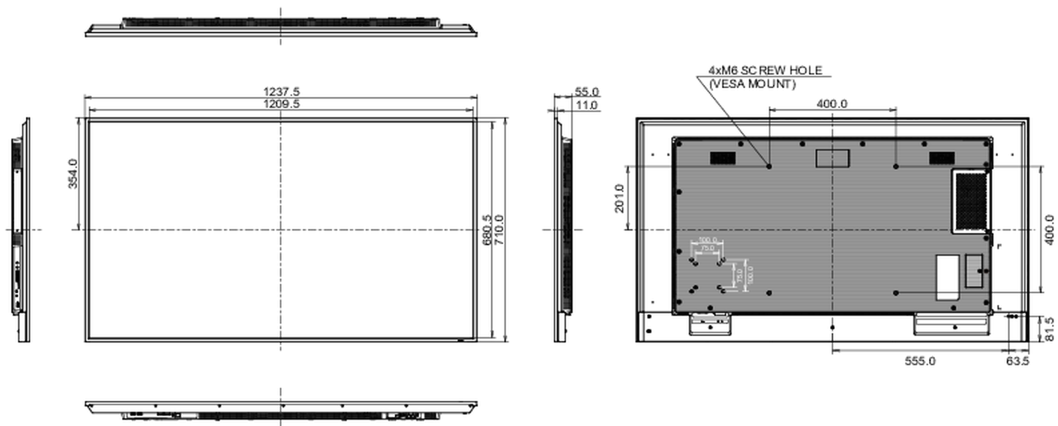
Product dimensions 1237.5 x 710 x 55mm  
W x H x D

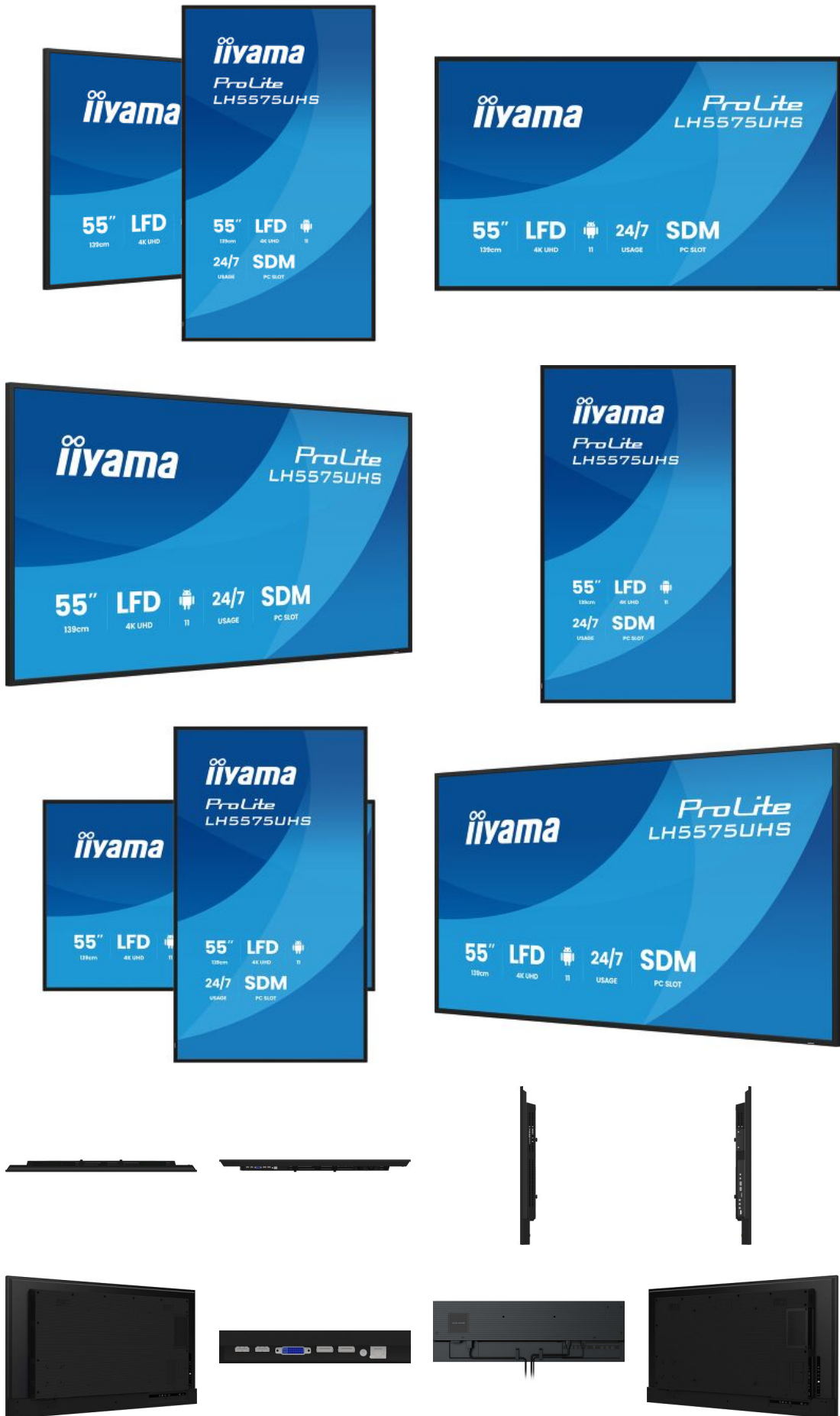
Box dimensions W x H x D 1386 x 845 x 130mm

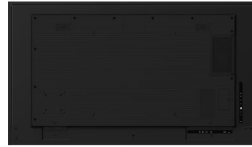
Weight (without box) 15.2kg

Weight (with box) 20.6kg

EAN code 4948570125258







All trademarks and registered trademarks acknowledged. E & O E. Specification subject to change without notice. All LCD's comply with ISO-9241-307:2008 in connection with pixel defects. © IYAMA CORPORATION. ALL RIGHTS RESERVED