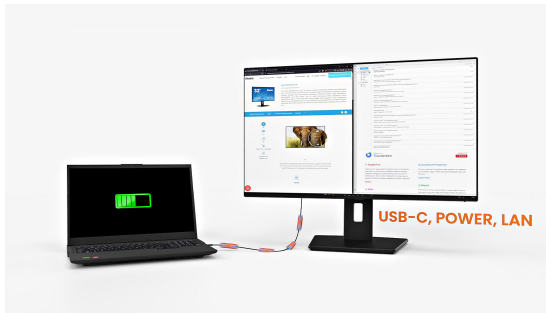


**INFORMATION****32" QHD IPS technology panel with RJ45 (LAN), KVM Switch and USB-C Dock with 95W power delivery**

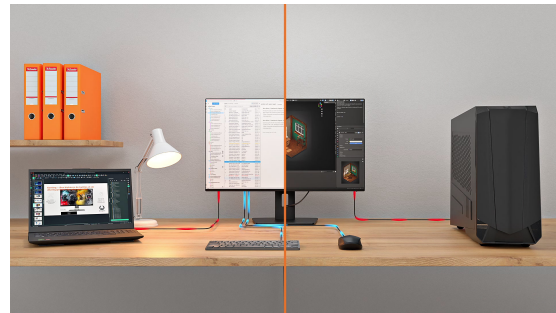
The XUB3297QSNP is a 32-inch QHD monitor designed to boost your productivity and streamline your workspace. With an integrated USB-C dock, you can connect your laptop using a single cable, transmitting video, data, and up to 95W of power delivery, while keeping your desk clean and clutter-free. The built-in KVM switch lets you control two PCs with one keyboard and mouse, making multitasking easy. When connected via USB-C, your laptop also gets instant access to the LAN network. Plus, the DisplayPort-out supports daisy chaining for seamless multi-monitor setups.

Featuring an IPS panel for vivid colors and wide viewing angles, it's perfect for work, content creation, or entertainment. For all-day comfort, it includes a 15cm height-adjustable stand, Flicker-Free technology, and a Blue Light Reducer to help minimize eye strain.



## USB-C dock for tidy desk & easy connectivity

Connect everything with just one cable - handle video, data, and power while keeping your desk clean and organized.



## Easy multi-device control with KVM

Easily switch between multiple computers using one monitor, keyboard, and mouse, making multitasking smooth and efficient.



## Expand your view with QHD

QHD 2560x1440 resolution offers up to 77% more screen space than Full HD, giving you plenty of room to multitask efficiently, view more content at once, and work with greater precision, without constantly switching between windows.



## Reduced eye strain & fatigue

Work, study or play longer without eye fatigue, thanks to flicker-free technology and reduced blue light emissions. These features help minimize eye strain and improve visual comfort, allowing you to stay focused and productive throughout the day.

## SPECIFICATION

### 01 DISPLAY CHARACTERISTICS

<b>Design</b>	3-side borderless
<b>Diagonal</b>	32", 80cm
<b>Panel</b>	IPS Panel Technology LED, matte finish
<b>Native resolution</b>	2560 x 1440 @100Hz (3.7 megapixel QHD)
<b>Aspect ratio</b>	16:9
<b>Panel brightness</b>	350 cd/m <sup>2</sup>
<b>Static contrast</b>	1000:1
<b>Advanced contrast</b>	80M:1
<b>Response time (MPRT)</b>	1ms
<b>Viewing zone</b>	horizontal/vertical: 178°/178°, right/left: 89°/89°, up/down: 89°/89°
<b>Colour support</b>	1.07B 8bit (sRGB: 99%; NTSC: 72%)
<b>Horizontal Sync</b>	30 - 150kHz
<b>Viewable area W x H</b>	698.1 x 392.7mm, 27.5 x 15.5"
<b>Pixel pitch</b>	0.273mm
<b>Colour</b>	matte, black

### 02 INTERFACES / CONNECTORS / CONTROLS

<b>Signal input</b>	HDMI x1 (v.2.0) DisplayPort x1 (v.1.4) USB-C x1 (PD 95W)
<b>Signal output</b>	DisplayPort x1 (Daisy Chain MST max. 2560 x 1440)
<b>USB HUB</b>	x4 (v.3.2 Gen 1, 2x Type A (5Gbps, 4.5W), 2xType C (5Gbps, 7.5W))
<b>USB-C DOCK</b>	x1 (Power delivery 95W, LAN, DP out, USB v.3.2 (Gen 1, 5Gbit))
<b>RJ45 (LAN)</b>	x1

### 03 FEATURES

<b>KVM switch</b>	yes
<b>Blue light reducer</b>	yes
<b>Flicker free</b>	yes
<b>Adaptive Sync support</b>	yes
<b>Extra</b>	i-Style colour
<b>OSD languages</b>	EN, DE, FR, IT, RU, JP, CZ, NL, PL
<b>Control buttons</b>	Power, Menu, Adjust/Volume/Mute, Adjust/Eco, Input/Exit

<b>User controls</b>	picture adjust (brightness, contrast, black tuner, sharpness, OD, ACR, Eco, X-Res technology), colour settings (warm, normal, cool, user colour, i-Style colour, blue light reducer), input select (HDMI, DP, USB-C, Auto), audio (volume, mute), language, OSD (OSD H. position, OSD V. position, OSD background, OSD time out, information), setup menu 1 (KVM, USB-C, USB Charge, MST DP-out), setup menu 2 (video mode adjust, HDMI RGB range, direct drive, adaptive sync, Motion blur reducer, HDR, opening logo, power LED, memory recall)
<b>Speakers</b>	2 x 2.5W
<b>Convenience</b>	Kensington-lock™ prepared, DDC/CI, DDC2B

## 04 MECHANICAL

<b>Display position adjustments</b>	height, swivel, tilt
<b>Height adjustment</b>	150mm
<b>Swivel stand</b>	90°; 45° left; 45° right
<b>Tilt angle</b>	23° up; 5° down
<b>VESA mounting</b>	100 x 100mm
<b>Cable management system</b>	yes

## 05 ACCESSORIES INCLUDED

<b>Cables</b>	power, HDMI, DP, USB-C
<b>Other</b>	quick start guide, safety guide

## 06 POWER MANAGEMENT

<b>Power supply unit</b>	internal
<b>Power supply</b>	AC 100 - 240V, 50/60Hz
<b>Power usage</b>	40W typical, 0.5W stand by, 0.3W off mode

## 07 SUSTAINABILITY

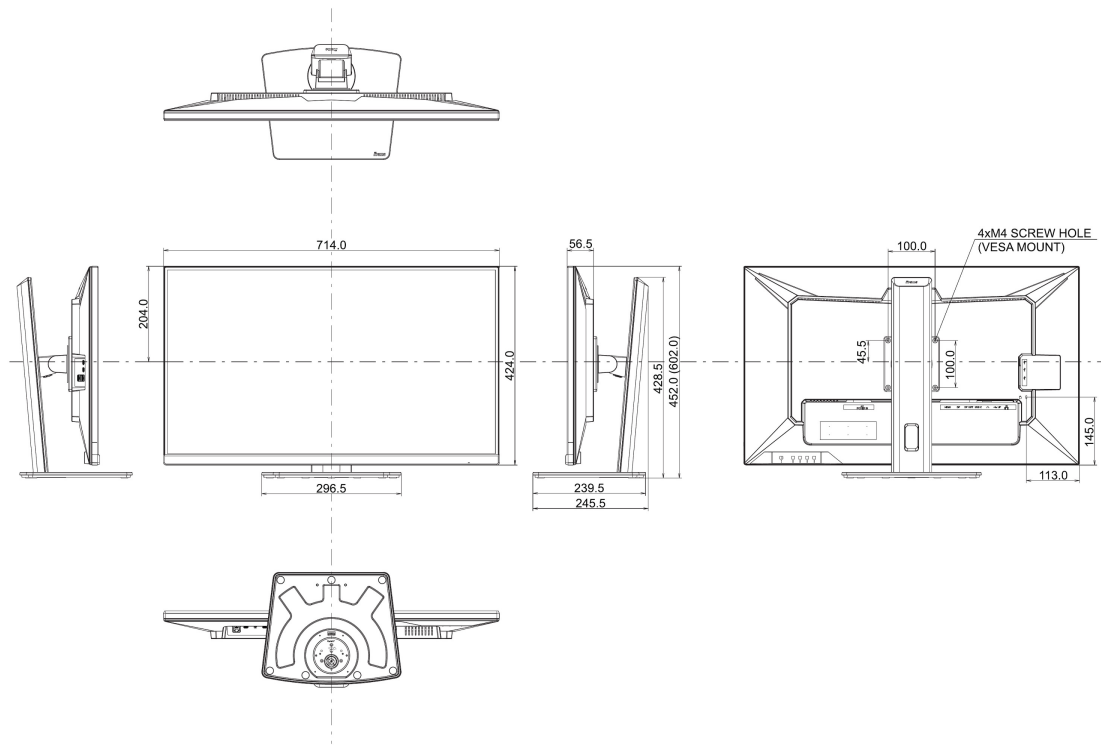
<b>Regulations</b>	TCO Certified, CE, TÜV-GS, EAC, VCCI-B, PSE, RoHS support, ErP, WEEE, REACH, UKCA
<b>Energy efficiency class (Regulation (EU) 2017/1369)</b>	F
<b>REACH SVHC</b>	above 0.1%: Lead, Lead monoxide
<b>Warranty</b>	5 years (for details and eligible countries please check the Warranty section of our website)

## 08 DIMENSIONS / WEIGHT

<b>Product dimensions W x H x D</b>	714 x 452 (602) x 245.5mm
<b>Box dimensions W x H x D</b>	795 x 506 x 185mm
<b>Weight (without box)</b>	9.5kg

Weight (with box) 11.6kg

EAN code 4948570124435





All trademarks and registered trademarks acknowledged. E & O E. Specification subject to change without notice. All LCD's comply with ISO-9241-307:2008 in connection with pixel defects. © IIYAMA CORPORATION. ALL RIGHTS RESERVED