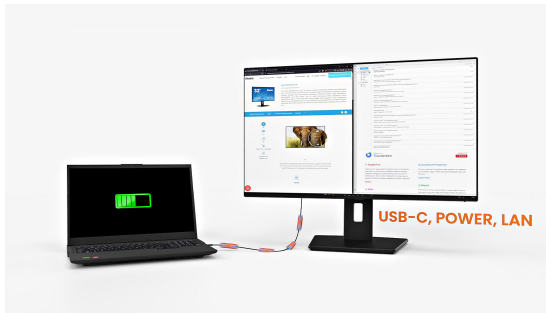


INFORMATION**32" QHD IPS technology panel
with RJ45 (LAN), KVM Switch
and USB-C Dock with 95W power
delivery**

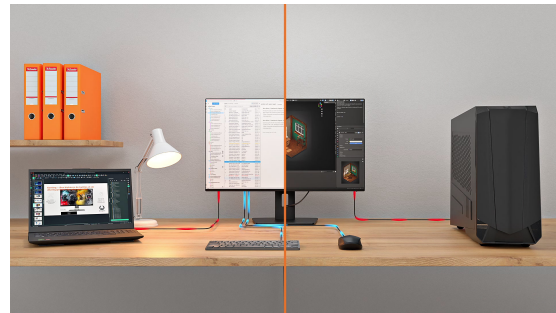
The XUB3297QSNP is a 32-inch QHD monitor designed to boost your productivity and streamline your workspace. With an integrated USB-C dock, you can connect your laptop using a single cable, transmitting video, data, and up to 95W of power delivery, while keeping your desk clean and clutter-free. The built-in KVM switch lets you control two PCs with one keyboard and mouse, making multitasking easy. When connected via USB-C, your laptop also gets instant access to the LAN network. Plus, the DisplayPort-out supports daisy chaining for seamless multi-monitor setups.

Featuring an IPS panel for vivid colors and wide viewing angles, it's perfect for work, content creation, or entertainment. For all-day comfort, it includes a 15cm height-adjustable stand, Flicker-Free technology, and a Blue Light Reducer to help minimize eye strain.



USB-C dock for tidy desk & easy connectivity

Connect everything with just one cable - handle video, data, and power while keeping your desk clean and organized.



Easy multi-device control with KVM

Easily switch between multiple computers using one monitor, keyboard, and mouse, making multitasking smooth and efficient.



Expand your view with QHD

QHD 2560x1440 resolution offers up to 77% more screen space than Full HD, giving you plenty of room to multitask efficiently, view more content at once, and work with greater precision, without constantly switching between windows.



Reduced eye strain & fatigue

Work, study or play longer without eye fatigue, thanks to flicker-free technology and reduced blue light emissions. These features help minimize eye strain and improve visual comfort, allowing you to stay focused and productive throughout the day.

SPECIFICATION

01 DISPLAY CHARACTERISTICS

Design	3-side borderless
Diagonal	32", 80cm
Panel	IPS Panel Technology LED, matte finish
Native resolution	2560 x 1440 @100Hz (3.7 megapixel QHD)
Aspect ratio	16:9
Panel brightness	350 cd/m ²
Static contrast	1000:1
Advanced contrast	80M:1
Response time (MPRT)	1ms
Viewing zone	horizontal/vertical: 178°/178°, right/left: 89°/89°, up/down: 89°/89°
Colour support	1.07B 8bit (sRGB: 99%; NTSC: 72%)
Horizontal Sync	30 - 150kHz
Viewable area W x H	698.1 x 392.7mm, 27.5 x 15.5"
Pixel pitch	0.273mm
Colour	matte, black

02 INTERFACES / CONNECTORS / CONTROLS

Signal input	HDMI x1 (v.2.0) DisplayPort x1 (v.1.4) USB-C x1 (PD 95W)
Signal output	DisplayPort x1 (Daisy Chain MST max. 2560 x 1440)
USB HUB	x4 (v.3.2 Gen 1, 2x Type A (5Gbps, 4.5W), 2xType C (5Gbps, 7.5W))
USB-C DOCK	x1 (Power delivery 95W, LAN, DP out, USB v.3.2 (Gen 1, 5Gbit))
RJ45 (LAN)	x1

03 FEATURES

KVM switch	yes
Blue light reducer	yes
Flicker free	yes
Adaptive Sync support	yes
Extra	i-Style colour
OSD languages	EN, DE, FR, IT, RU, JP, CZ, NL, PL
Control buttons	Power, Menu, Adjust/Volume/Mute, Adjust/Eco, Input/Exit

User controls	picture adjust (brightness, contrast, black tuner, sharpness, OD, ACR, Eco, X-Res technology), colour settings (warm, normal, cool, user colour, i-Style colour, blue light reducer), input select (HDMI, DP, USB-C, Auto), audio (volume, mute), language, OSD (OSD H. position, OSD V. position, OSD background, OSD time out, information), setup menu 1 (KVM, USB-C, USB Charge, MST DP-out), setup menu 2 (video mode adjust, HDMI RGB range, direct drive, adaptive sync, Motion blur reducer, HDR, opening logo, power LED, memory recall)
Speakers	2 x 2.5W
Convenience	Kensington-lock™ prepared, DDC/CI, DDC2B

04 MECHANICAL

Display position adjustments	height, swivel, tilt
Height adjustment	150mm
Swivel stand	90°; 45° left; 45° right
Tilt angle	23° up; 5° down
VESA mounting	100 x 100mm
Cable management system	yes

05 ACCESSORIES INCLUDED

Cables	power, HDMI, DP, USB-C
Other	quick start guide, safety guide

06 POWER MANAGEMENT

Power supply unit	internal
Power supply	AC 100 - 240V, 50/60Hz
Power usage	40W typical, 0.5W stand by, 0.3W off mode

07 SUSTAINABILITY

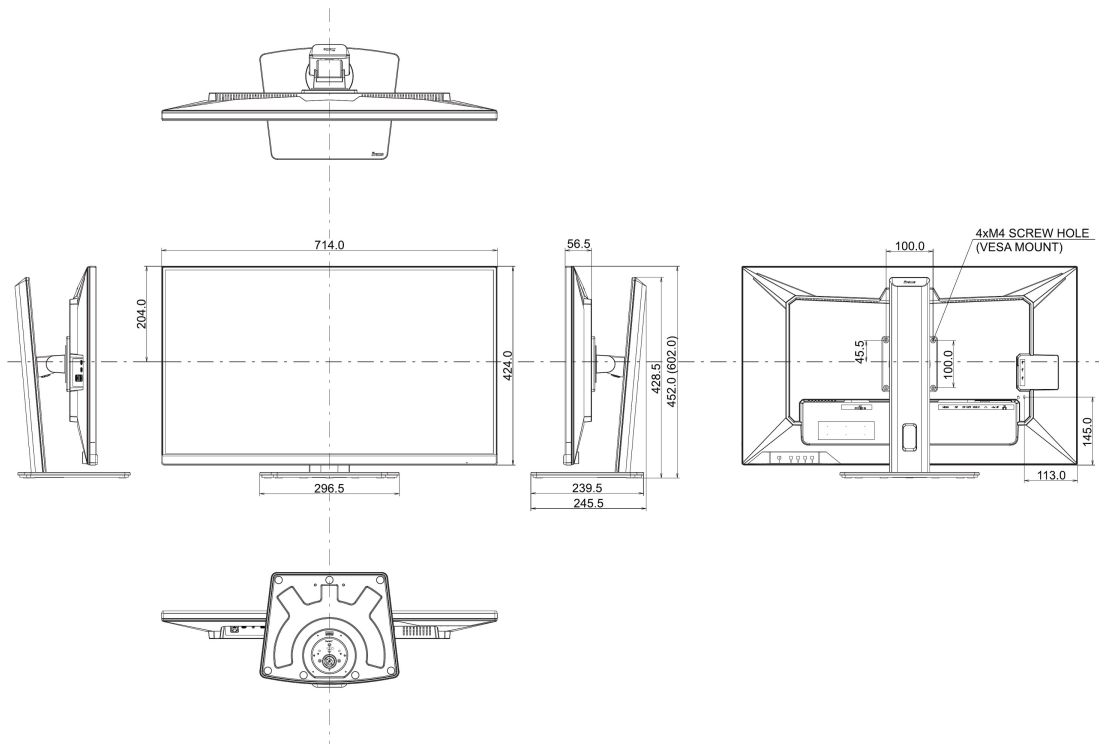
Regulations	TCO Certified, CE, TÜV-GS, EAC, VCCI-B, PSE, RoHS support, ErP, WEEE, REACH, UKCA
Energy efficiency class (Regulation (EU) 2017/1369)	F
REACH SVHC	above 0.1%: Lead, Lead monoxide
Warranty	5 years (for details and eligible countries please check the Warranty section of our website)

08 DIMENSIONS / WEIGHT

Product dimensions W x H x D	714 x 452 (602) x 245.5mm
Box dimensions W x H x D	795 x 506 x 185mm
Weight (without box)	9.5kg

Weight (with box) 11.6kg

EAN code 4948570124435





All trademarks and registered trademarks acknowledged. E & O E. Specification subject to change without notice. All LCD's comply with ISO-9241-307:2008 in connection with pixel defects. © IIYAMA CORPORATION. ALL RIGHTS RESERVED