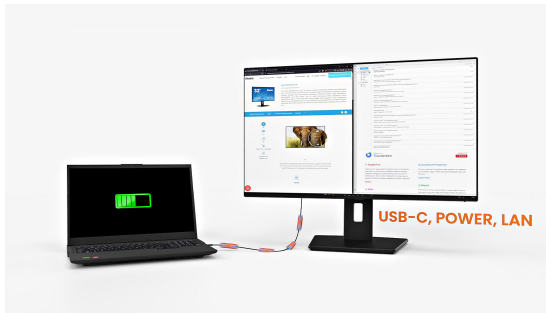


**INFORMATION****32" QHD IPS technology panel with RJ45 (LAN), KVM Switch and USB-C Dock with 95W power delivery**

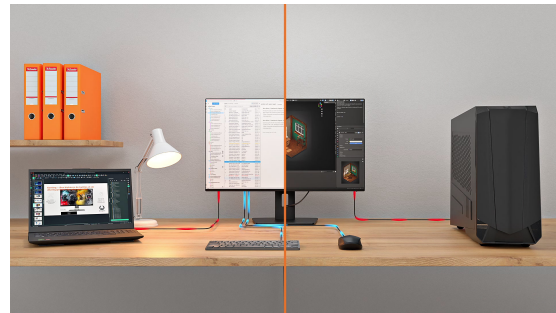
The XUB3297QSNP is a 32-inch QHD monitor designed to boost your productivity and streamline your workspace. With an integrated USB-C dock, you can connect your laptop using a single cable, transmitting video, data, and up to 95W of power delivery, while keeping your desk clean and clutter-free. The built-in KVM switch lets you control two PCs with one keyboard and mouse, making multitasking easy. When connected via USB-C, your laptop also gets instant access to the LAN network. Plus, the DisplayPort-out supports daisy chaining for seamless multi-monitor setups.

Featuring an IPS panel for vivid colors and wide viewing angles, it's perfect for work, content creation, or entertainment. For all-day comfort, it includes a 15cm height-adjustable stand, Flicker-Free technology, and a Blue Light Reducer to help minimize eye strain.



### USB-C dock for tidy desk & easy connectivity

Connect everything with just one cable - handle video, data, and power while keeping your desk clean and organized.



### Easy multi-device control with KVM

Easily switch between multiple computers using one monitor, keyboard, and mouse, making multitasking smooth and efficient.



### Expand your view with QHD

QHD 2560x1440 resolution offers up to 77% more screen space than Full HD, giving you plenty of room to multitask efficiently, view more content at once, and work with greater precision, without constantly switching between windows.



### Reduced eye strain & fatigue

Work, study or play for longer with greater visual comfort. The Blue Light Reducer feature lets you lower blue light emissions through software settings, helping minimise eye strain during extended screen time. Combined with flicker-free technology, it supports a more comfortable viewing experience so you can stay focused throughout the day.

## SPECIFICATION

### 01 DISPLAY CHARACTERISTICS

<b>Design</b>	3-side borderless
<b>Diagonal</b>	32", 80cm
<b>Panel</b>	IPS Panel Technology LED, matte finish
<b>Native resolution</b>	2560 x 1440 @100Hz (3.7 megapixel QHD)
<b>Aspect ratio</b>	16:9
<b>Panel brightness</b>	350 cd/m <sup>2</sup>
<b>Static contrast</b>	1000:1
<b>Advanced contrast</b>	80M:1
<b>Response time (MPRT)</b>	1ms
<b>Viewing zone</b>	horizontal/vertical: 178°/178°, right/left: 89°/89°, up/down: 89°/89°
<b>Colour support</b>	1.07B 8bit (sRGB: 99%; NTSC: 72%)
<b>Horizontal Sync</b>	30 - 150kHz
<b>Viewable area W x H</b>	698.1 x 392.7mm, 27.5 x 15.5"
<b>Pixel pitch</b>	0.273mm
<b>Colour</b>	matte, black

### 02 INTERFACES / CONNECTORS / CONTROLS

<b>Signal input</b>	HDMI x1 (v.2.0) DisplayPort x1 (v.1.4) USB-C x1 (PD 95W)
<b>Signal output</b>	DisplayPort x1 (Daisy Chain MST max. 2560 x 1440)
<b>USB HUB</b>	x4 (v.3.2 Gen 1, 2x Type A (5Gbps, 4.5W), 2xType C (5Gbps, 7.5W))
<b>USB-C DOCK</b>	x1 (Power delivery 95W, LAN, DP out, USB v.3.2 (Gen 1, 5Gbit))
<b>RJ45 (LAN)</b>	x1

### 03 FEATURES

<b>KVM switch</b>	yes
<b>Blue light reducer</b>	yes
<b>Flicker free</b>	yes
<b>Adaptive Sync support</b>	yes
<b>Extra</b>	i-Style colour
<b>OSD languages</b>	EN, DE, FR, IT, RU, JP, CZ, NL, PL
<b>Control buttons</b>	Power, Menu, Adjust/Volume/Mute, Adjust/Eco, Input/Exit

<b>User controls</b>	picture adjust (brightness, contrast, black tuner, sharpness, OD, ACR, Eco, X-Res technology), colour settings (warm, normal, cool, user colour, i-Style colour, blue light reducer), input select (HDMI, DP, USB-C, Auto), audio (volume, mute), language, OSD (OSD H. position, OSD V. position, OSD background, OSD time out, information), setup menu 1 (KVM, USB-C, USB Charge, MST DP-out), setup menu 2 (video mode adjust, HDMI RGB range, direct drive, adaptive sync, Motion blur reducer, HDR, opening logo, power LED, memory recall)
<b>Speakers</b>	2 x 2.5W
<b>Convenience</b>	Kensington-lock™ prepared, DDC/CI, DDC2B

#### 04 MECHANICAL

<b>Display position adjustments</b>	height, swivel, tilt
<b>Height adjustment</b>	150mm
<b>Swivel stand</b>	90°; 45° left; 45° right
<b>Tilt angle</b>	23° up; 5° down
<b>VESA mounting</b>	100 x 100mm
<b>Cable management system</b>	yes

#### 05 ACCESSORIES INCLUDED

<b>Cables</b>	power, HDMI, DP, USB-C
<b>Other</b>	quick start guide, safety guide

#### 06 POWER MANAGEMENT

<b>Power supply unit</b>	internal
<b>Power supply</b>	AC 100 - 240V, 50/60Hz
<b>Power usage</b>	40W typical, 0.5W stand by, 0.3W off mode

#### 07 SUSTAINABILITY

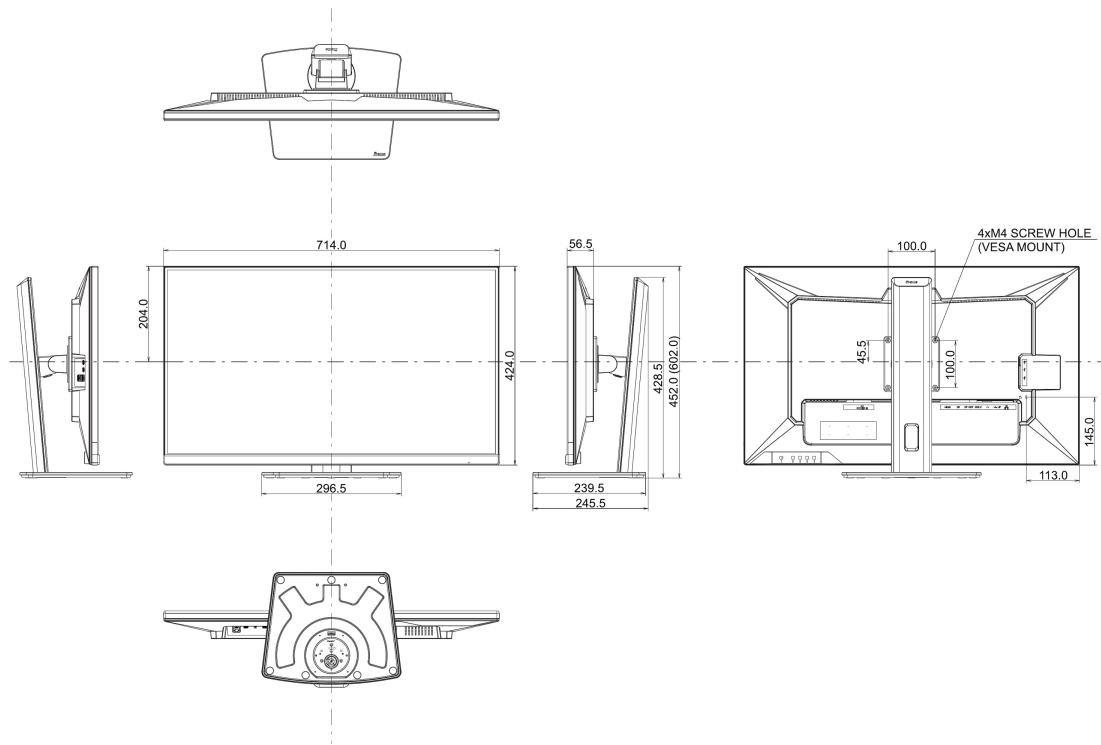
<b>Regulations</b>	TCO Certified, CE, TÜV-GS, EAC, VCCI-B, PSE, RoHS support, ErP, WEEE, REACH, UKCA
<b>Energy efficiency class (Regulation (EU) 2017/1369)</b>	F
<b>REACH SVHC</b>	above 0.1%: Lead, Lead monoxide
<b>Warranty</b>	5 years (for details and eligible countries please check the Warranty section of our website)

#### 08 DIMENSIONS / WEIGHT

<b>Product dimensions W x H x D</b>	714 x 452 (602) x 245.5mm
<b>Box dimensions W x H x D</b>	795 x 506 x 185mm
<b>Weight (without box)</b>	9.5kg

Weight (with box) 11.6kg

EAN code 4948570124435





All trademarks and registered trademarks acknowledged. E & O E. Specification subject to change without notice. All LCD's comply with ISO-9241-307:2008 in connection with pixel defects. © IIYAMA CORPORATION. ALL RIGHTS RESERVED