

TOUCHSCREENS**INFORMATION**

15.6" PCAP 10pt touchscreen PC with Android, PoE Technology and iiSignage²



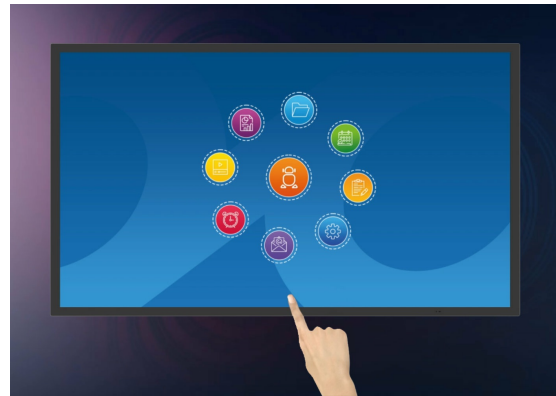
The ProLite TW1623AS-B3P is a smart and intuitive 15.6" touch panel PC, designed for high-traffic environments such as meeting rooms, info points, or hospitality spaces. Its 10-point PCAP touch technology ensures smooth and precise interaction. Powered by Android 13, and equipped with powerful hardware, it allows easy installation of apps directly on the device - making it a all-in-one solution. Thanks to Power over Ethernet (PoE), both power and data are delivered through a single cable, simplifying installation and reducing additional cables.

With a built-in microphone and speakers, the TW1623AS-B3P delivers seamless, modern interaction in any smart space. Additionally, it integrates effortlessly with [iiSignage²](#), Iiyama's Content Management System (CMS), giving you full control over your messages and advertising, in landscape portrait and face-up position.



Connectivity

The RJ45 (LAN) connector supporting Power over Ethernet technology (POE) allows to provide both data connection and power by a single cable, which simplifies installation in areas where many cables would interfere with the environment.



Android OS

Thanks to Android OS, you can easily customize the display to your needs by installing applications directly to it.



iiSignage²

iiSignage² is our digital signage content management platform to easily show and control your content and to manage your displays in a secure way. The Content Management System (CMS) gives you total control of your messaging and advertising remotely and safely.

SPECIFICATION

01 DISPLAY CHARACTERISTICS

Design	Edge to edge glass
Diagonal	15.6", 39.5cm
Panel	IPS Panel Technology, LED
Native resolution	1920 x 1080 (2 megapixel HD)
Aspect ratio	16:9
Panel brightness	450 cd/m ²
Brightness	385 cd/m ² with touch
Light transmittance	86%
Static contrast	1000:1 with touch
Response time (GTG)	30ms
Viewing zone	horizontal/vertical: 170°/170°, right/left: 85°/85°, up/down: 85°/85°
Colour support	16.7mln 8bit
Viewable area W x H	344.2 x 193.6mm, 13.5 x 7.6"
Pixel pitch	0.1792mm
Bezel colour and finish	black, matte

02 TOUCH

Touch technology	projective capacitive
Touch points	10 (HID, only with supported OS)
Touch method	finger, glove (latex), capacitive stylus
Touch interface	USB

03 INTERFACES / CONNECTORS / CONTROLS

Digital signal output	HDMI x1 (mini HDMI, 1920x1080 @60Hz)
Audio output	Mini jack x1 Speakers 2 x 2W
HDCP	yes
USB ports	x3
RJ45 (LAN)	x1 (PoE - IEEE802.3at/30W)
Microphone	x1

04 FEATURES

Integrated software	Android 13
CPU	Rockchip RK3568 Quad-core A55 up to 2.0GHz
GPU	Mali-G52
Storage	32GB eMMC
Memory	4GB LPDDR4X

WiFi	IEEE802.11a/b/g/n/ac
Bluetooth	5.2
Extra	Auto-rotation, SD card slot, anti-fingerprint coating, anti-glare coating, PoE
Kiosk mode	yes
Max. non-stop operating time	24/7
Glass thickness	1.8mm
Glass hardness	6H

05 GENERAL

Control buttons	Power switch, volume/ button +, volume/ button -
Applications	Applications: lock application, manage restart time, manage power on/off time, calculator, calendar, Chrome, alarm/clock/timer/stopwatch, manage files & folders, organize albums, Gmail, Google, iiSignage ² , play audio files, Play store, system preferences, sound recorder, play video

06 MECHANICAL

Orientation	landscape, portrait, face-up
VESA mounting	100 x 100mm
Cable management system	yes

07 ACCESSORIES INCLUDED

Guides	quick start guide, safety guide
Other	AC adapter, interchangeable plugs (EU/UK)
Cable cover	yes

08 POWER MANAGEMENT

Power supply unit	external
Power supply	DC 12 V
Power usage	9W typical, 0.5W stand by, 0.3W off mode

09 SUSTAINABILITY

Regulations	CE, EAC, RoHS support, ErP, WEEE, REACH, UKCA
REACH SVHC	above 0.1%: Lead

10 DIMENSIONS / WEIGHT

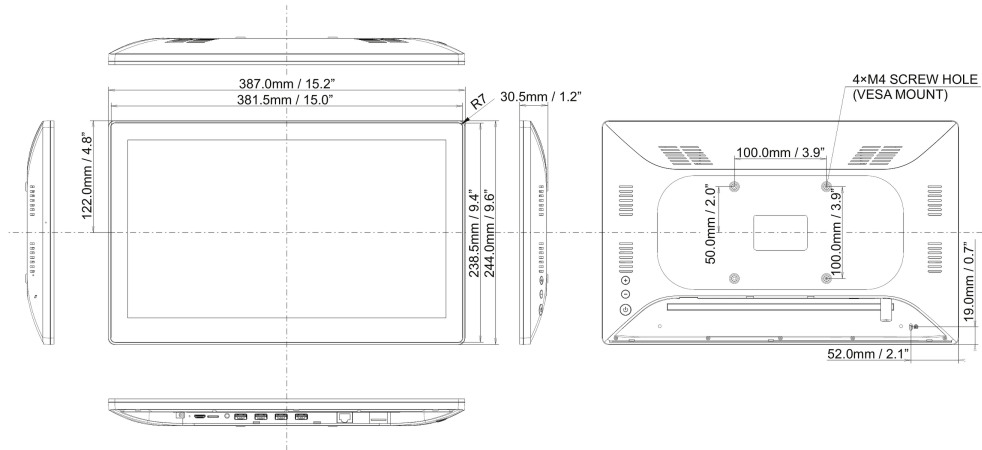
Product dimensions W x H x D	387 x 244 x 30,5mm
Box dimensions W x H x D	477 x 298 x 75mm

Weight (without box) 1.5kg

Weight (with box) 2.45kg

EAN code 4948570126934

ProLite TW1623AS-B3P





All trademarks and registered trademarks acknowledged. E & O E. Specification subject to change without notice. All LCD's comply with ISO-9241-307:2008 in connection with pixel defects. © IYAMA CORPORATION. ALL RIGHTS RESERVED